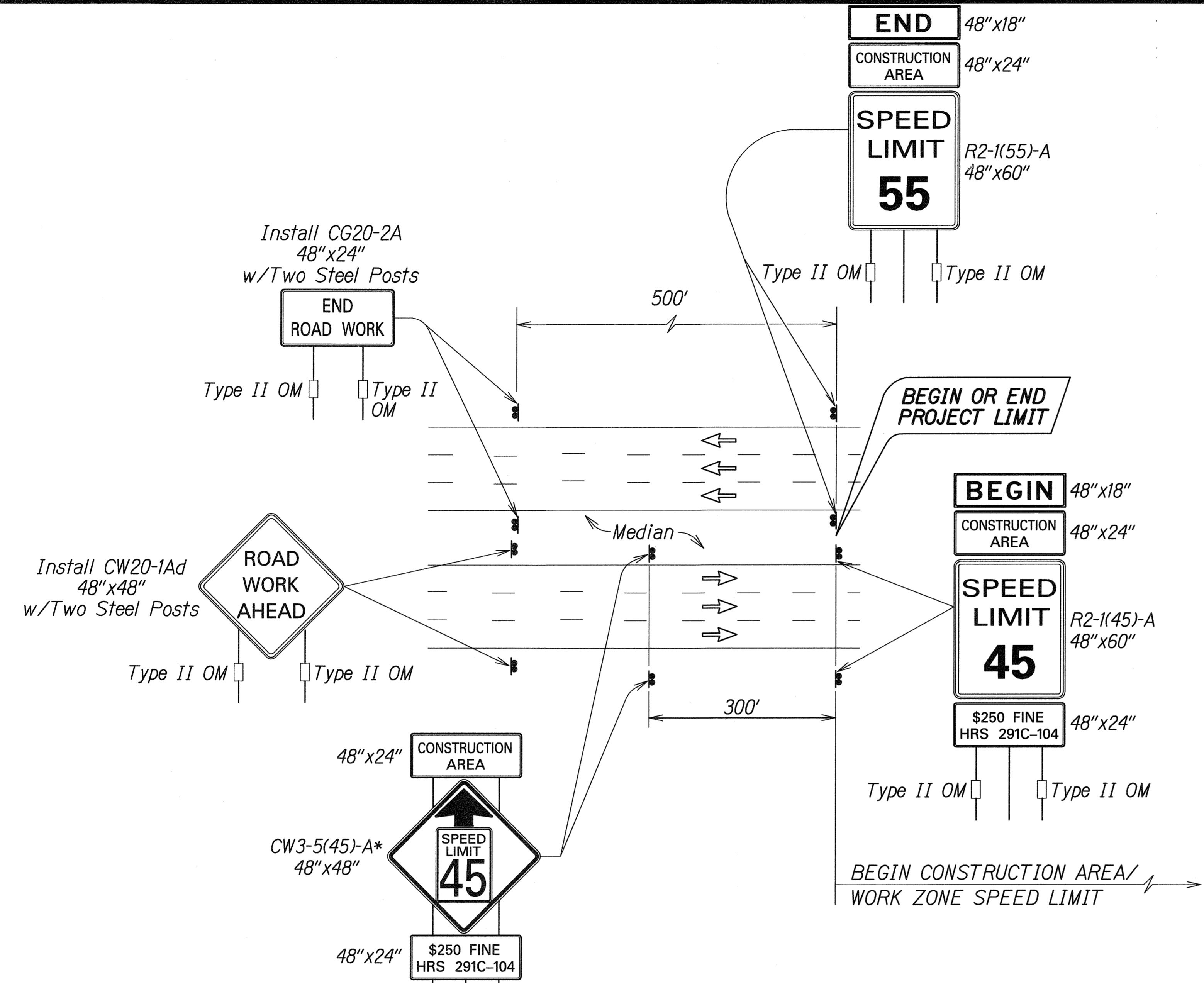


FED. ROAD DIST. NO.	STATE	PROJ. NO.	FISCAL YEAR	SHEET NO.	TOTAL SHEETS
HAWAII	HAW.	93A-01-06M	2010	22	36



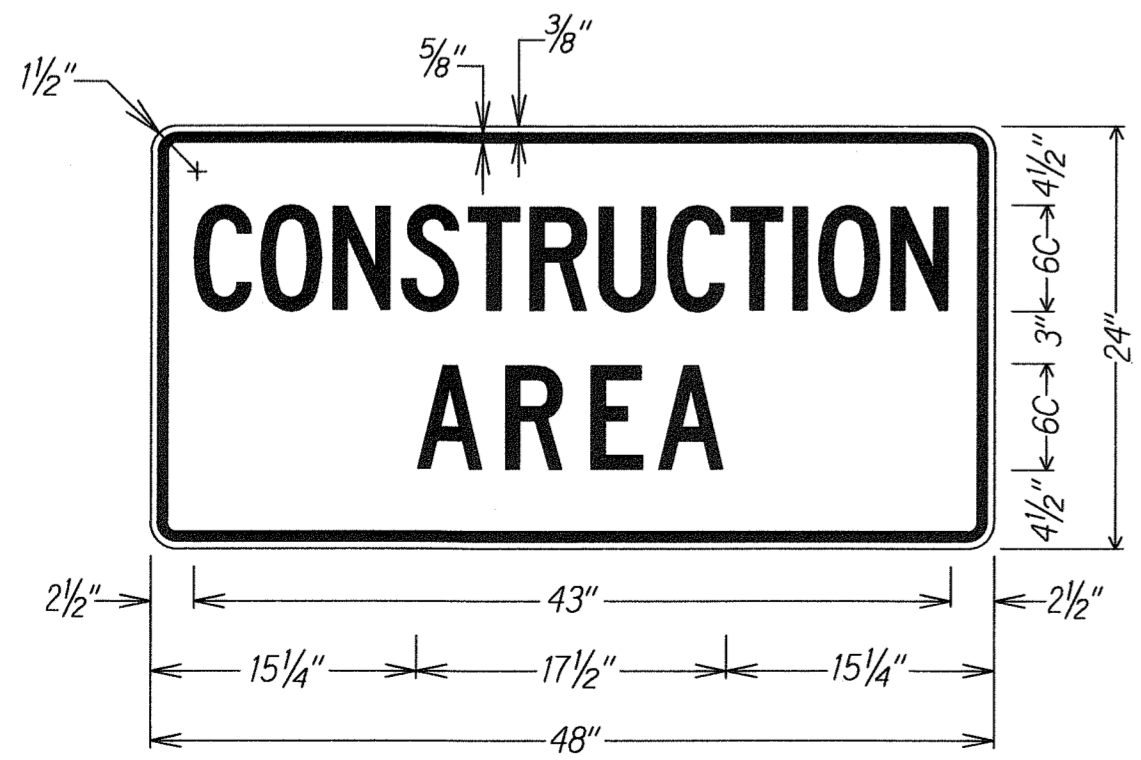
*Note:
 Legend: Black
 Background: Orange
 Speed Limit: Black on White

TYPICAL DETAIL FOR CONSTRUCTION SIGNS
 ON FREEWAY

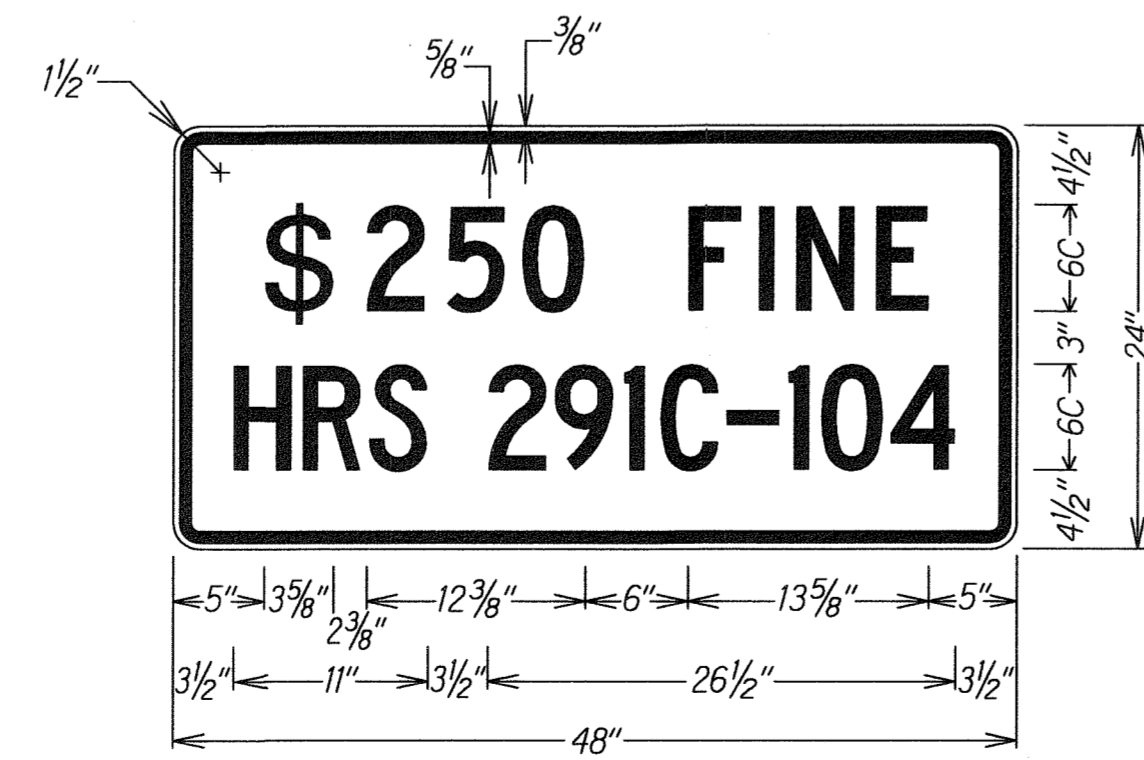
Work Zone Notes:

1. This Work Zone Sign Plan is intended for use on long-term stationary work zones/ construction phases (3 Days or more). All work zones or construction phases less than 3 days duration will use Traffic Control Plans shown in Section 645 of the Special Provisions.
2. All existing regulatory speed limit signs within the work zone/project limits shall be covered and work zone speed limit sign assemblies (R2-1(45)-A and CW3-5(45)-A with "CONSTRUCTION AREA" and "\$250 FINE HRS 291C-104" Supplemental Signs) shall be displayed during lane closure hours.
3. Upon the removal of the lane closure, all work zone speed limit signs shall be covered and existing speed limit signs within the work zone/project limits shall be restored.
4. Construction signs shall be installed on both the approaching and trailing ends of each work zone.
5. Each construction sign shall have a minimum of two (2) Type II OM. Installation of each Type II OM shall be considered incidental to Item No. 645.0100 - Traffic Control.
6. All work zone speed sign assembly shall be mounted on three (3) 4.00 lbs./ft. galvanized flanged channel sign posts with a sign clearance height of five (5) feet. Sign stiffeners as specified by Standard Plan Sheet TE-02 shall be installed as needed or as directed by the Engineer.
7. The daily covering and uncovering of existing regulatory speed limit signs along with the installation, maintenance, removal and daily covering and uncovering of work zone speed limit sign assemblies shall be considered incidental to Item No. 645.0100 - Traffic Control.

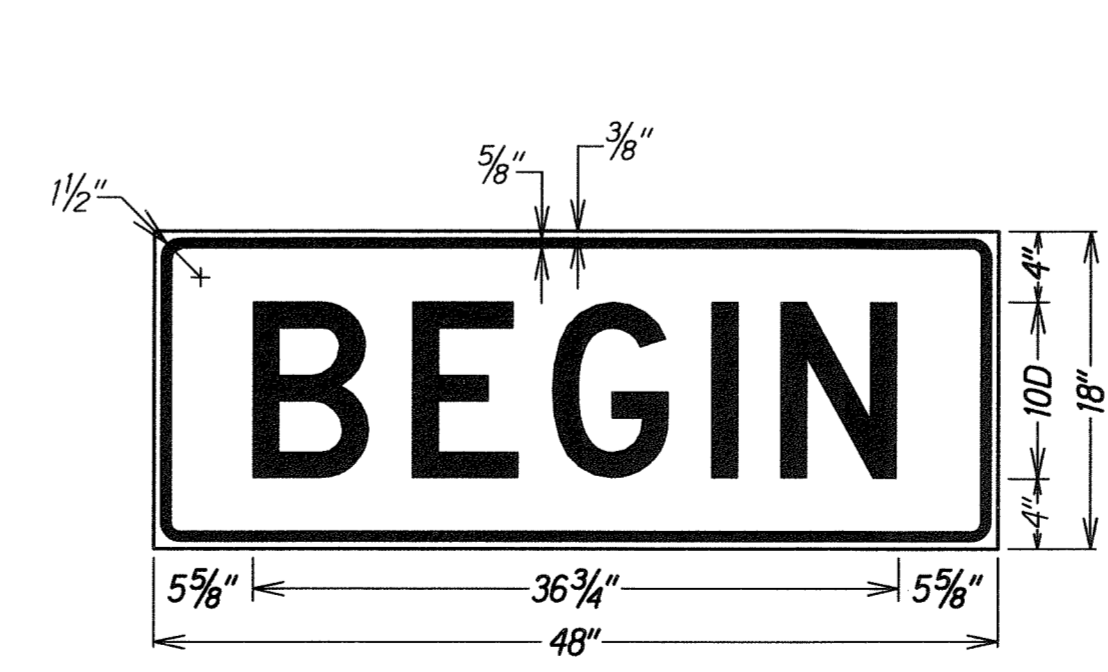
DATE	____/____/____
DESIGNED BY	____
CHECKED BY	____
QUANTITIES BY	____
FRACED BY	____
PLANNED BY	____
DATE	____/____/____
DESIGNED BY	____
CHECKED BY	____
QUANTITIES BY	____
FRACED BY	____
PLANNED BY	____



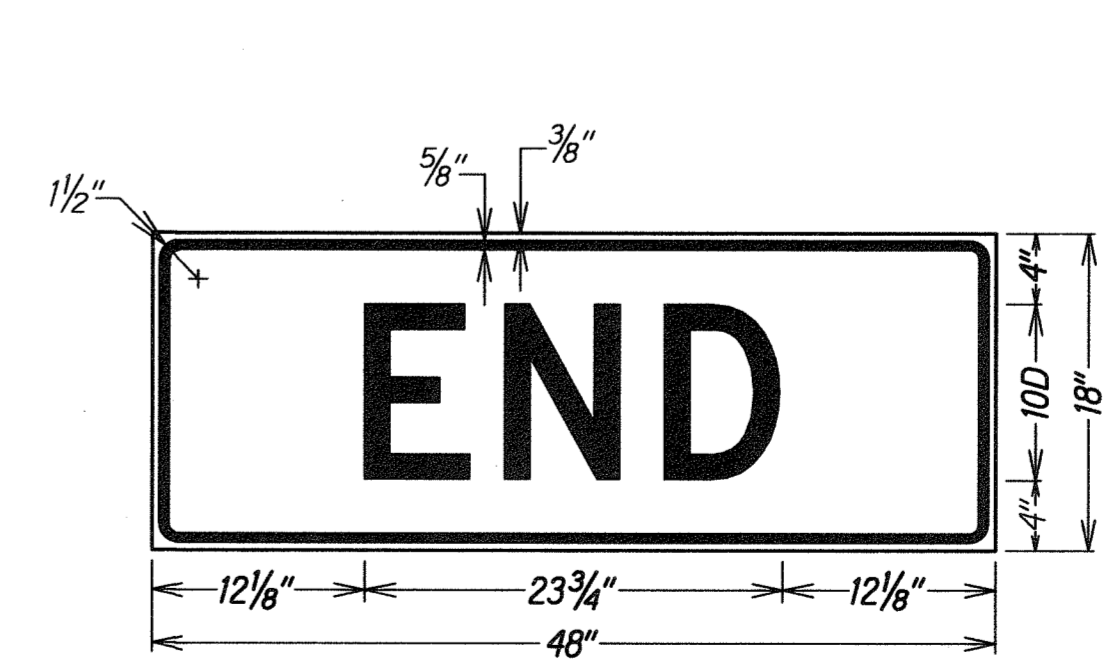
LEGEND: BLACK
 BACKGROUND: ORANGE



LEGEND: BLACK
 BACKGROUND: WHITE



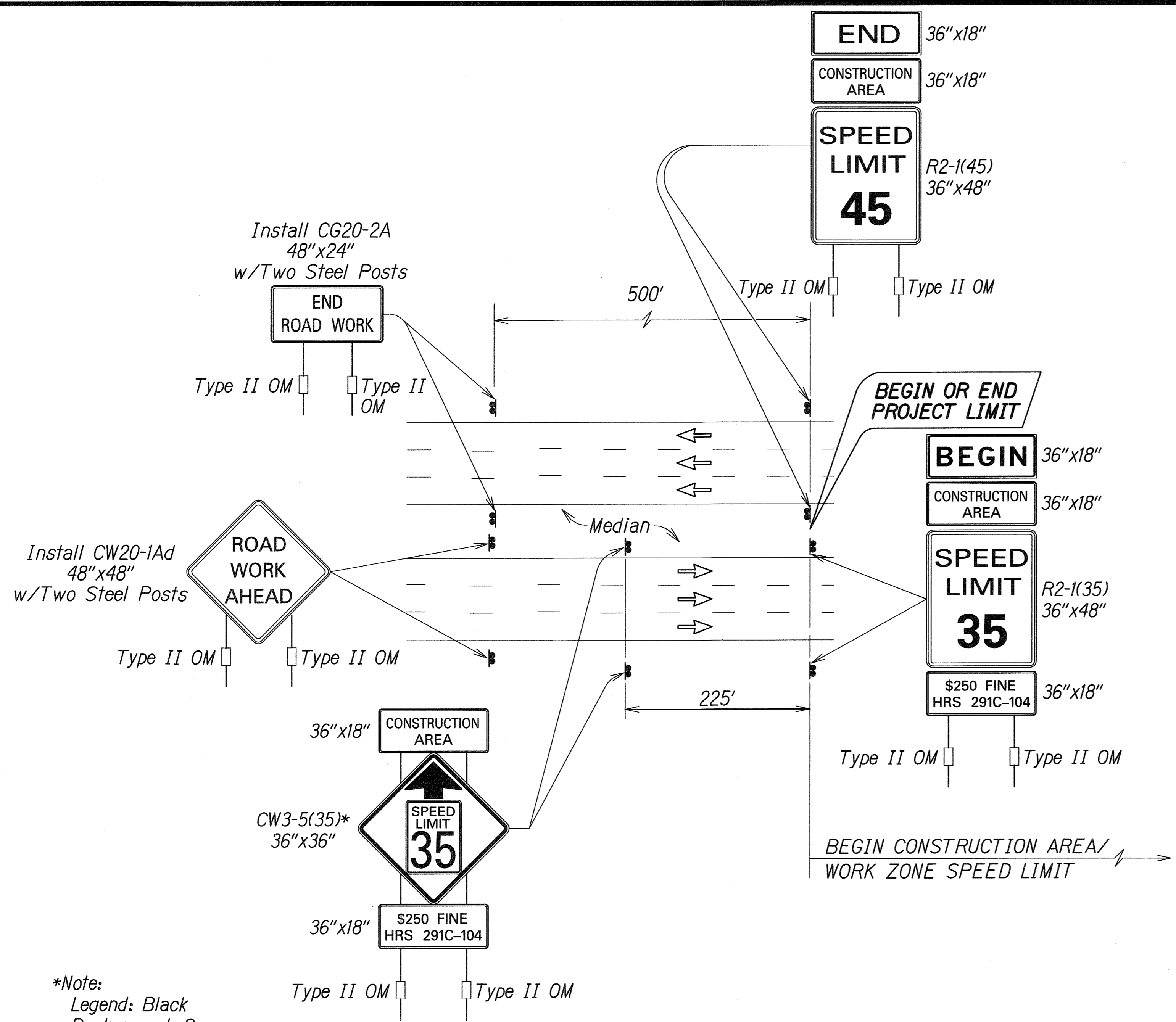
LEGEND: BLACK
 BACKGROUND: ORANGE



LEGEND: BLACK
 BACKGROUND: ORANGE

STATE OF HAWAII
 DEPARTMENT OF TRANSPORTATION
 HIGHWAYS DIVISION
FREEWAY WORK ZONE SIGNING
PLAN, NOTES & DETAILS
 FARRINGTON HIGHWAY
 Pavement Preventive Maintenance
 Keanoio Bridge to Palailai Interchange
 Project No. 93A-01-06M
 Not To Scale Date: March 2010
 SHEET No. T2 OF 16 SHEETS

FED. ROAD DIST. NO.	STATE	FED. AID PROJ. NO.	FISCAL YEAR	SHEET NO.	TOTAL SHEETS
HAWAII	HAW.	93A-01-06M	2010	23	36

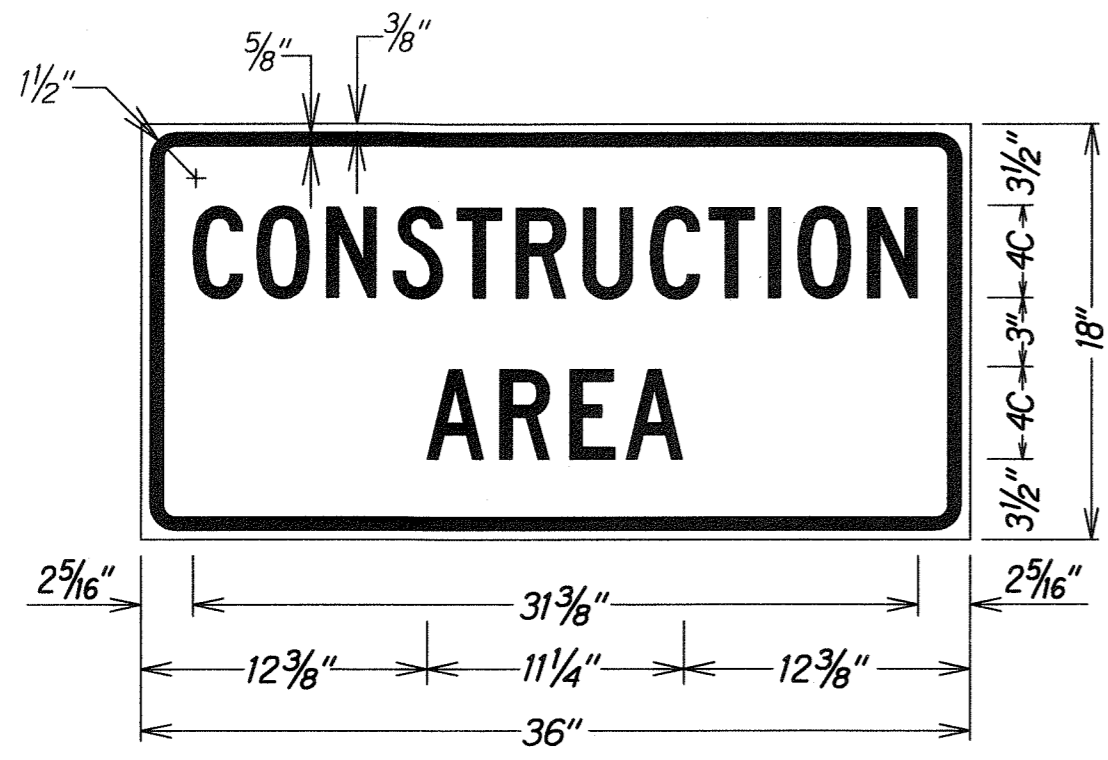


Work Zone Notes:

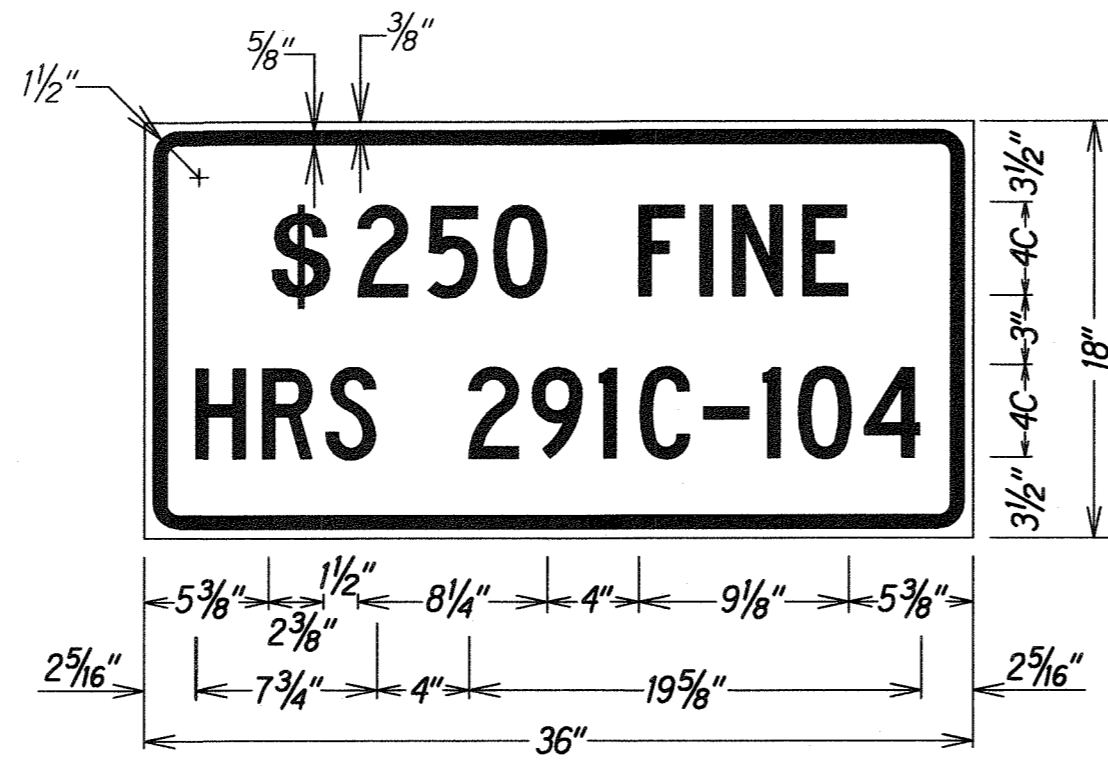
1. This Work Zone Sign Plan is intended for use on long-term stationary work zones/construction phases (3 days or more). All work zones or construction phases less than 3 days duration will use Traffic Control Plans shown in Section 645 of the Special Provisions.
2. All existing regulatory speed limit signs with posts within the work zone/project limits shall be removed and replaced with work zone speed limit sign assemblies (R2-1(35) and CW3-5(35) with "CONSTRUCTION AREA" and "\$250 FINE HRS 291C-104" Supplemental Signs).
3. Construction sign assemblies shall be installed on both the approaching and trailing ends of each work zone as shown on this plan.
4. Each construction warning sign and work zone speed limit assembly shall have a minimum of two (2) Type II OM. Installation of each Type II OM shall be considered incidental to Item No. 645.0100 - Traffic Control.
5. Upon the completion of all physical work or as directed by the Engineer, all construction signs and work zone speed limit assemblies shall be removed. All speed limit signs and posts that were existing at the start of the project within the work zone/project limits shall be restored back to their original locations and configurations.
6. Placement of construction signs shall not obstruct the path of pedestrians and bicyclists.
7. The removal and restoration of existing regulatory speed limit signs with new posts along with the installation, maintenance and removal of work zone speed limit sign assemblies shall be considered incidental to Item No. 645.0100 - Traffic Control.

*Note:
 Legend: Black
 Background: Orange
 Speed Limit: Black on White

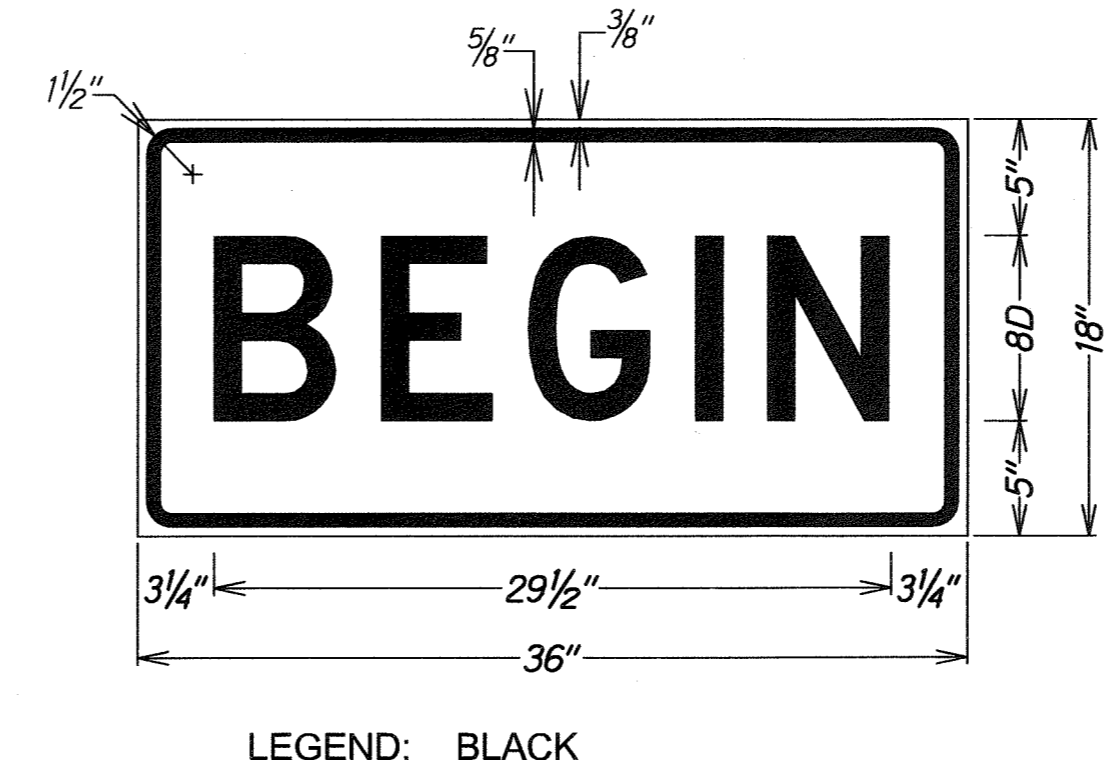
**TYPICAL DETAIL FOR CONSTRUCTION SIGNS
 ON MULTILANE DIVIDED HIGH SPEED HIGHWAY**



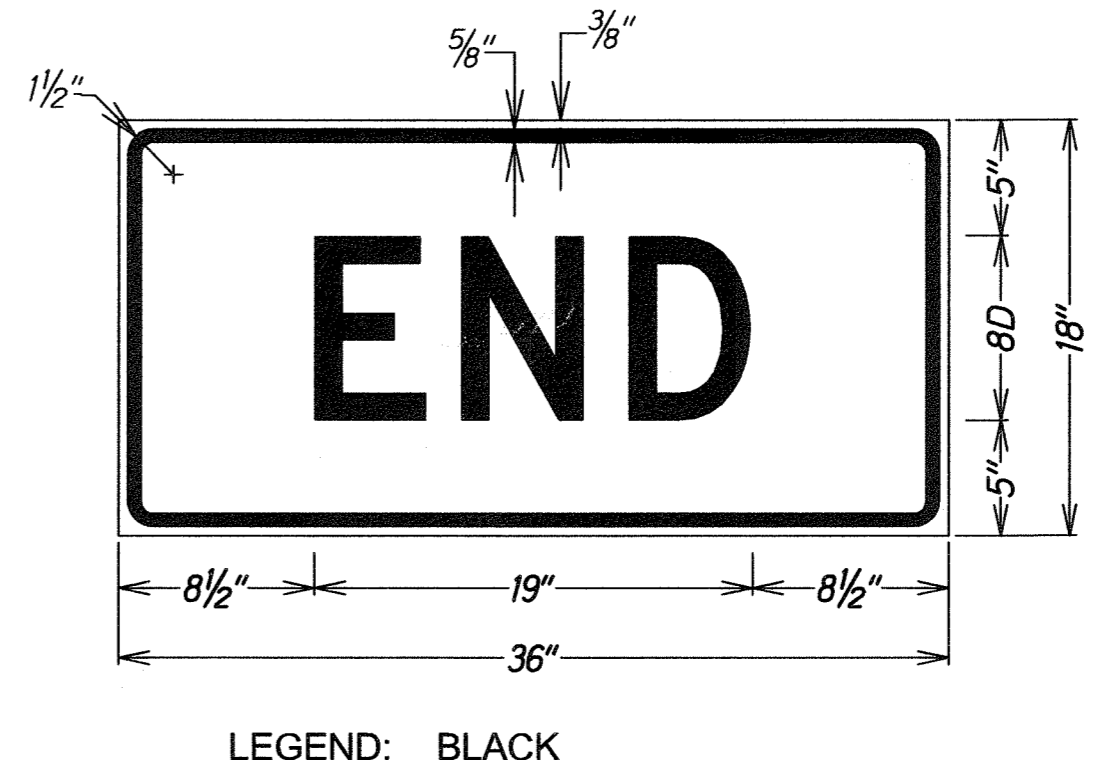
LEGEND: BLACK
 BACKGROUND: ORANGE



LEGEND: BLACK
 BACKGROUND: WHITE



LEGEND: BLACK
 BACKGROUND: ORANGE



LEGEND: BLACK
 BACKGROUND: ORANGE

SURVEY PLOTTED BY	DATE
DRAWN BY	
DESIGNED BY	
QUANTITIES BY	
CHECKED BY	
ORIGINAL PLAN	
NOTE BOOK	
DATE	
NO.	

STATE OF HAWAII
 DEPARTMENT OF TRANSPORTATION
 HIGHWAYS DIVISION
HIGH SPEED DIVIDED HIGHWAY
WORK ZONE SIGNING PLAN, NOTES & DETAILS
 FARRINGTON HIGHWAY
 Pavement Preventive Maintenance
 Keanoio Bridge to Palalai Interchange
 Project No. 93A-01-06M
 Not To Scale Date: April 2010
 SHEET No. 23 OF 16 SHEETS