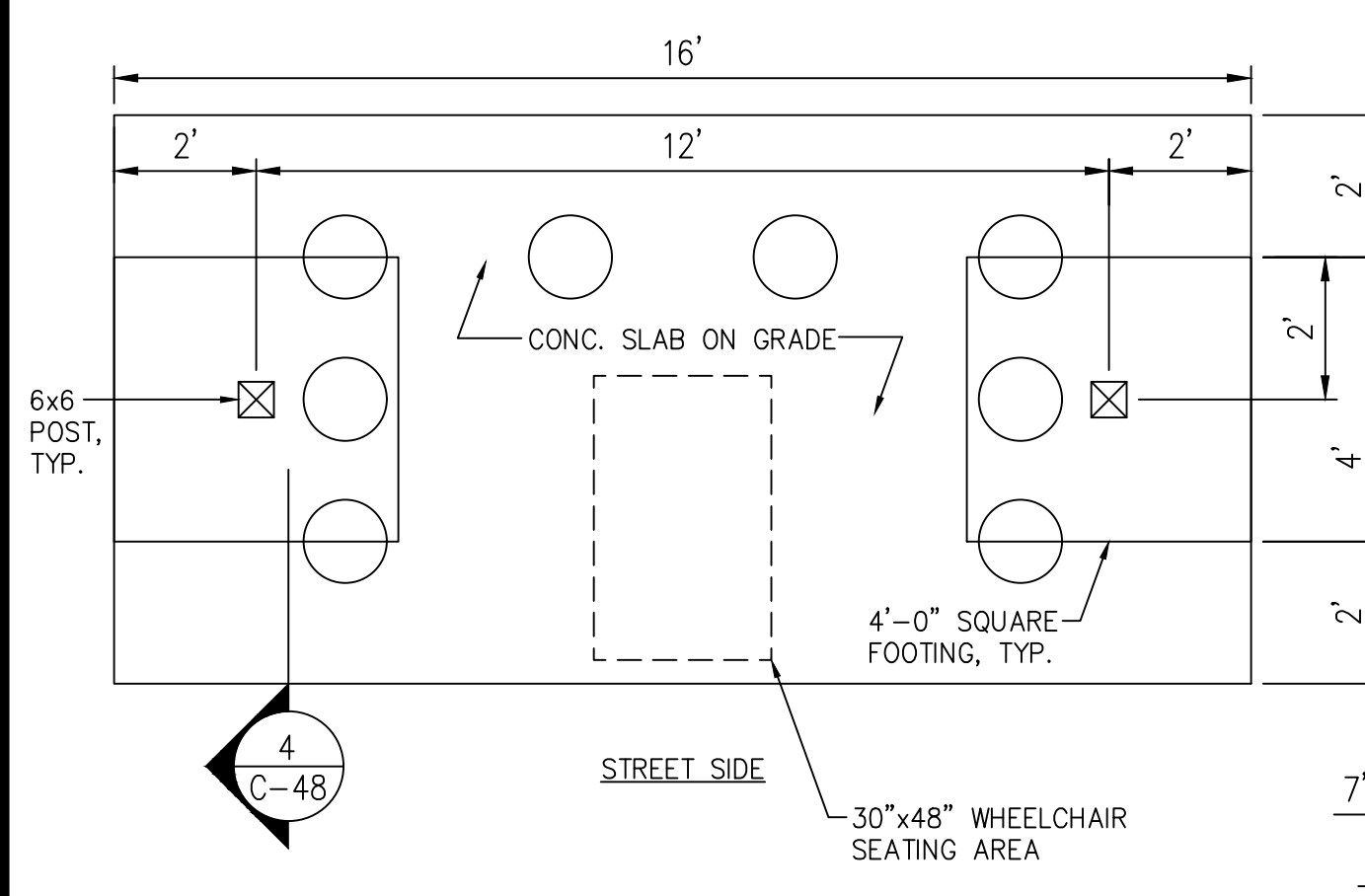
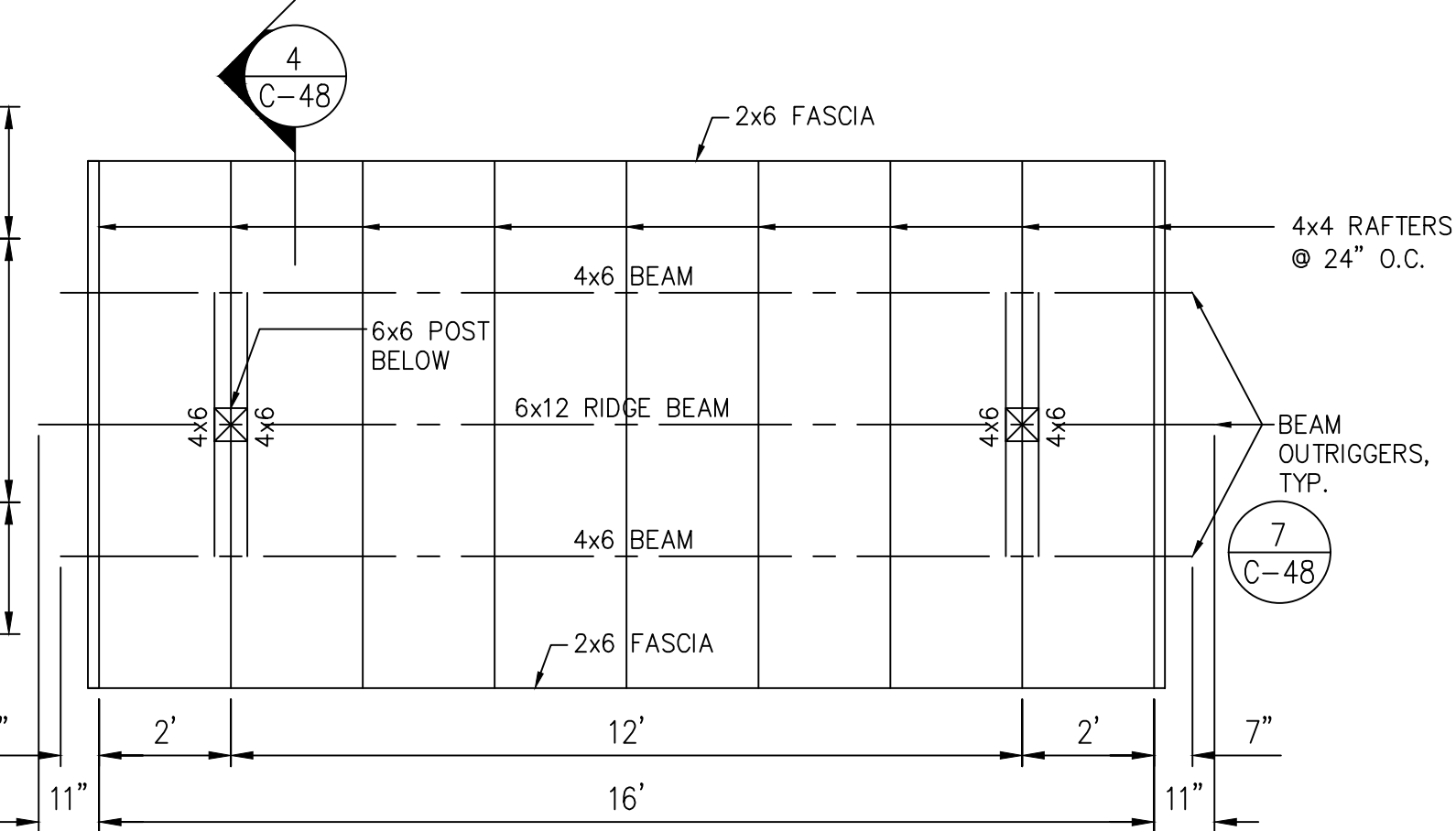


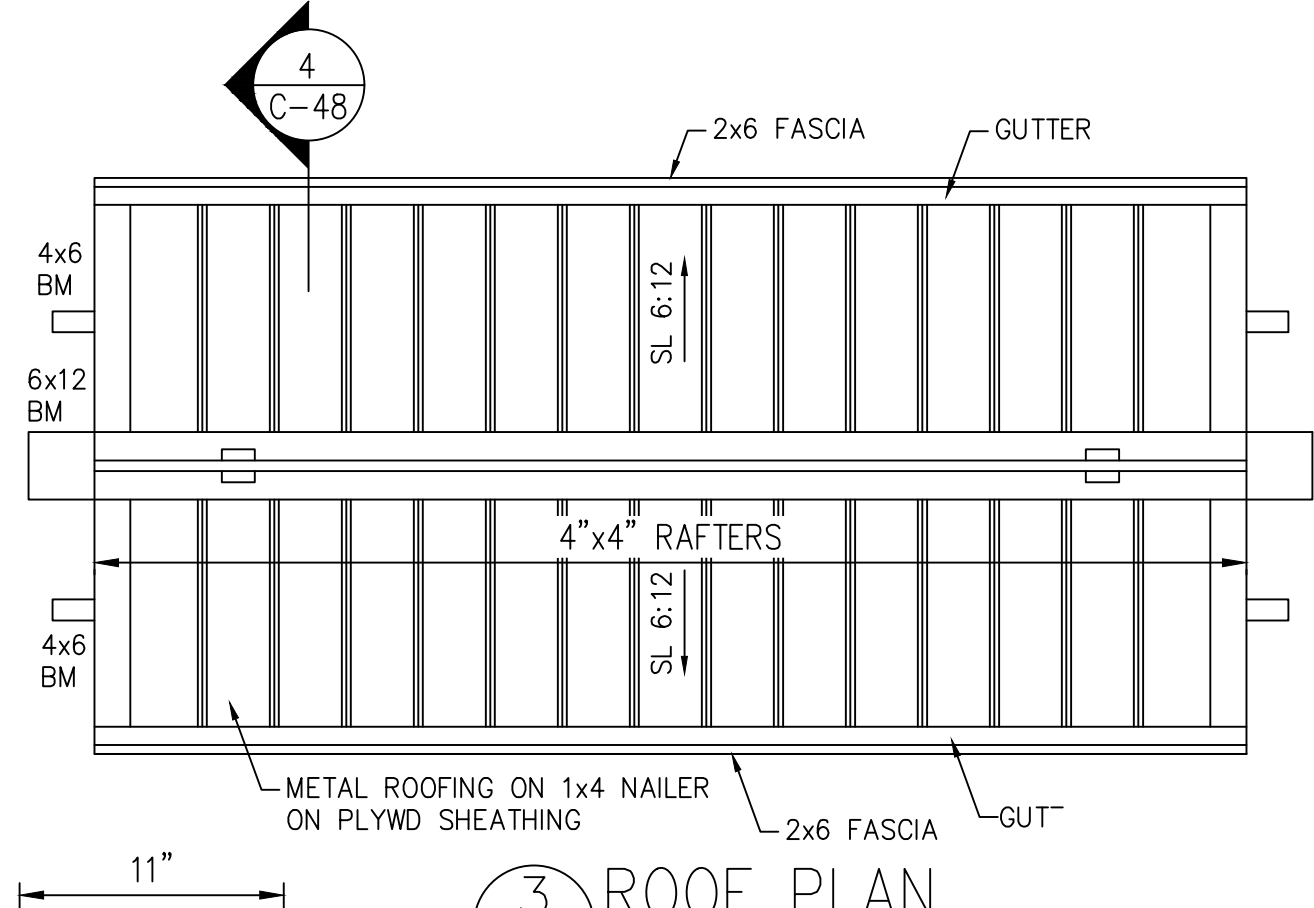
FED. ROAD DIST. NO.	STATE	FED. AID PROJ. NO.	FISCAL YEAR	SHEET NO.	TOTAL SHEETS
HAWAII	HAW.	BR-093-1(20)	2020	62	168



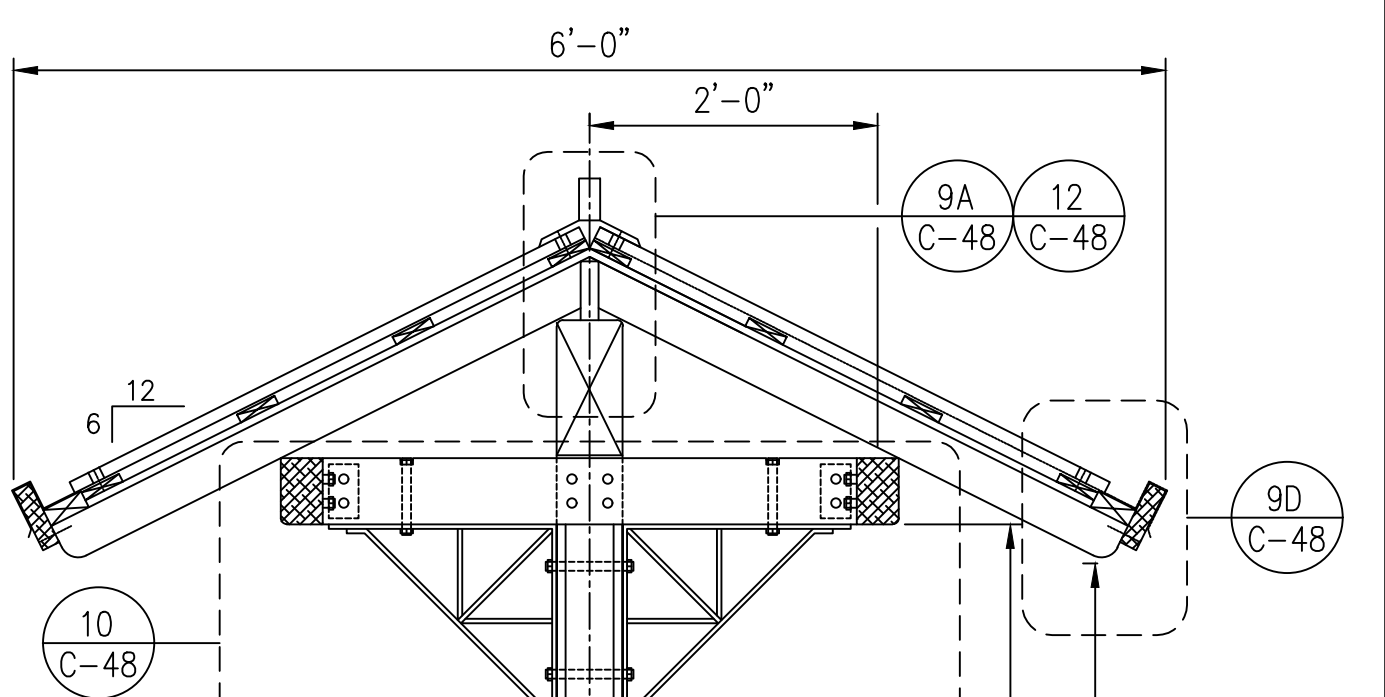
1 FLOOR PLAN
C-48 SCALE: 3/8" = 1'-0"



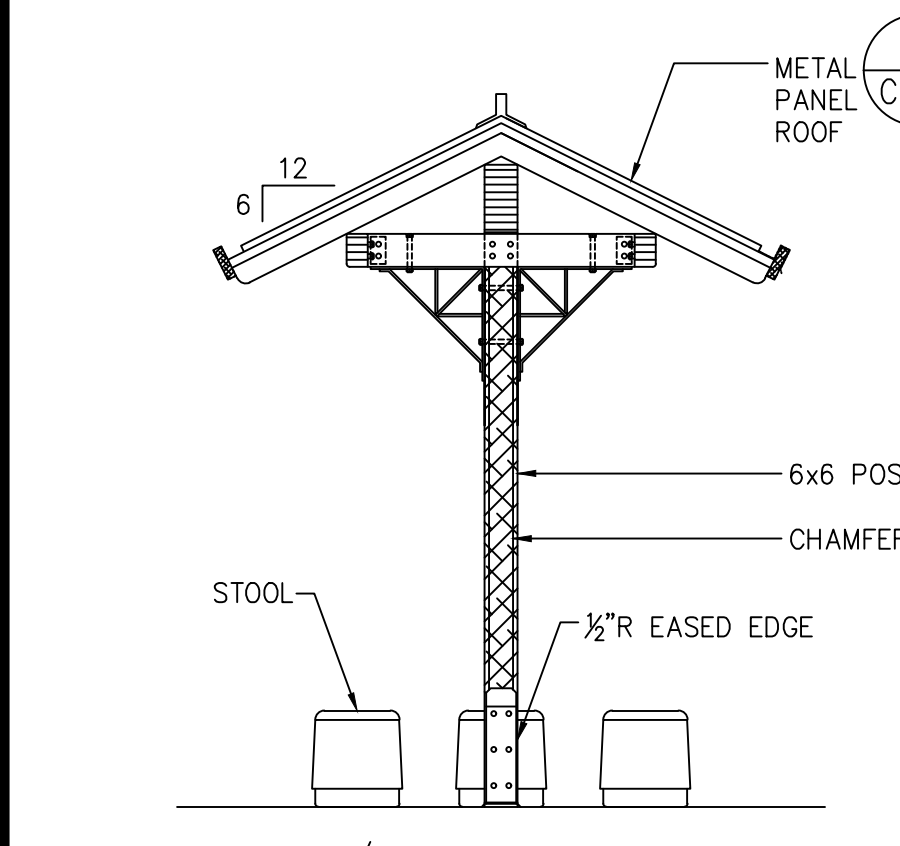
2 ROOF FRAMING PLAN
C-48 SCALE: 3/8" = 1'-0"



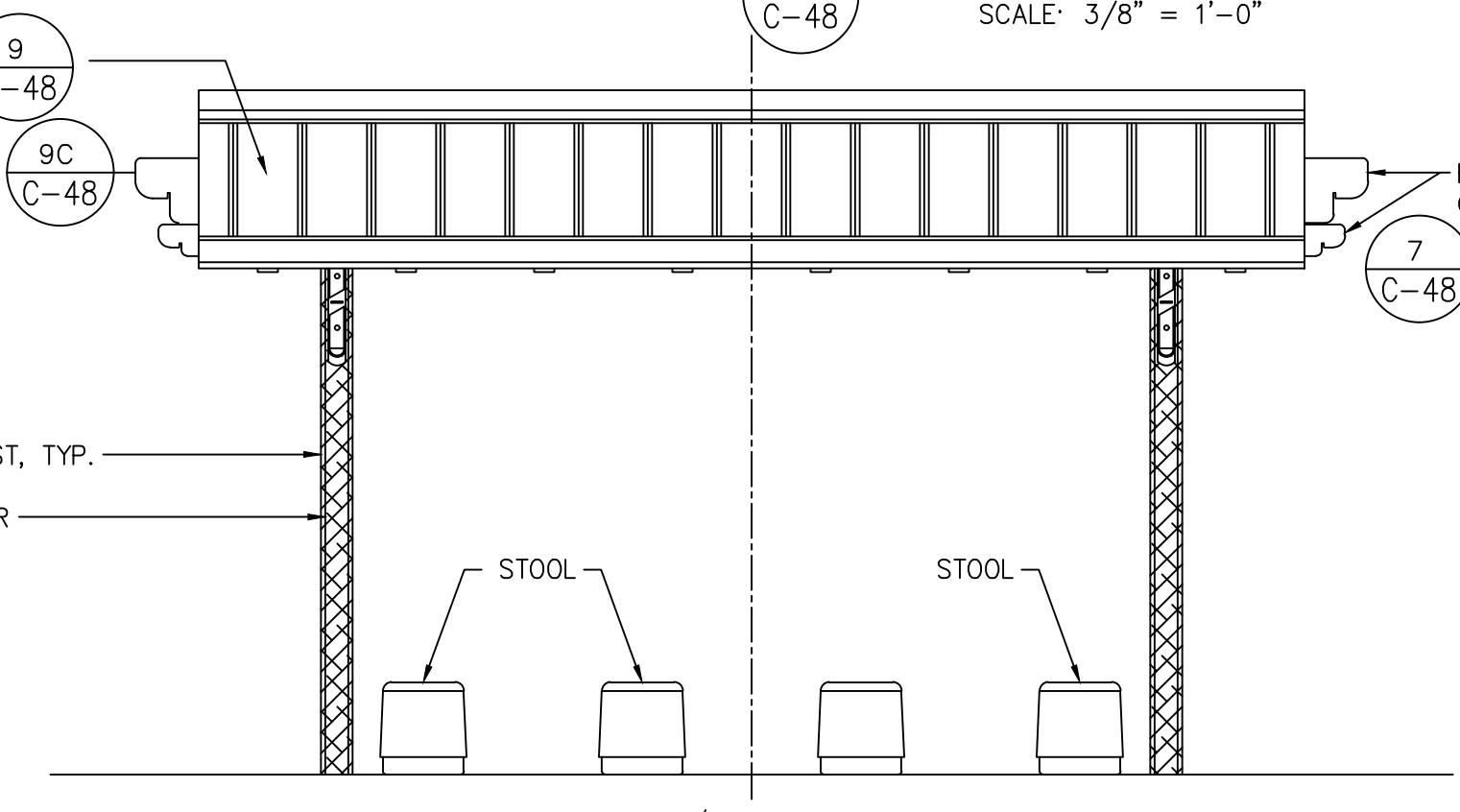
3 ROOF PLAN
C-48 SCALE: 3/8" = 1'-0"



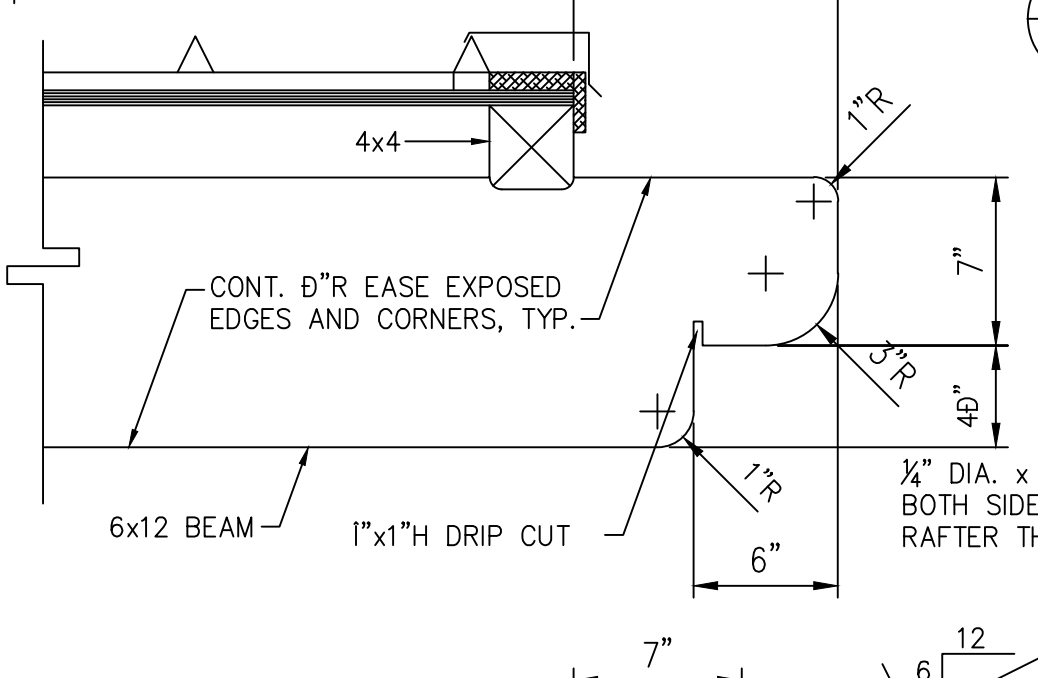
4 TYPICAL SECTION
C-48 SCALE: 3/4" = 1'-0"



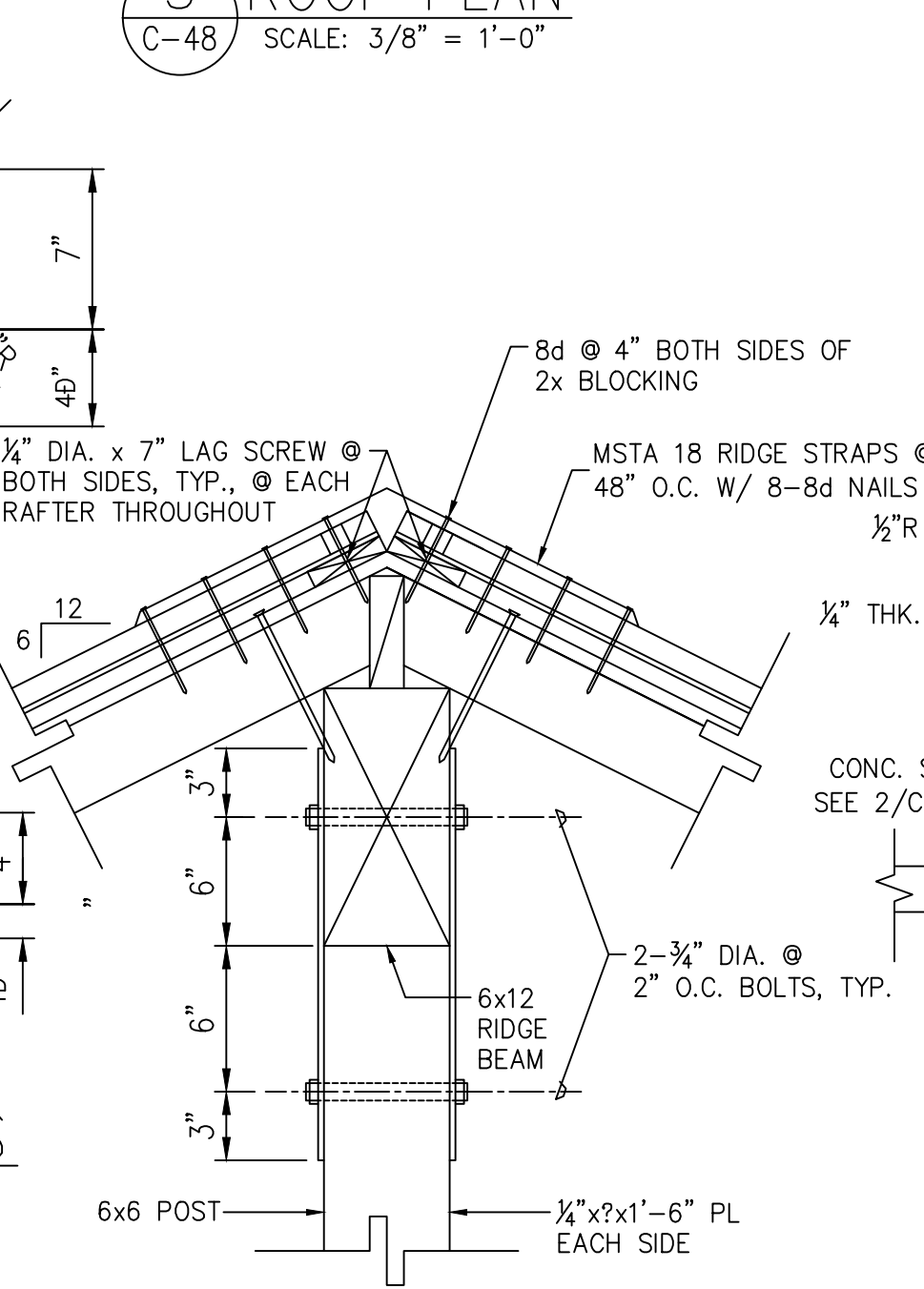
5 LEFT/RIGHT ELEVATION
C-48 SCALE: 3/8" = 1'-0"



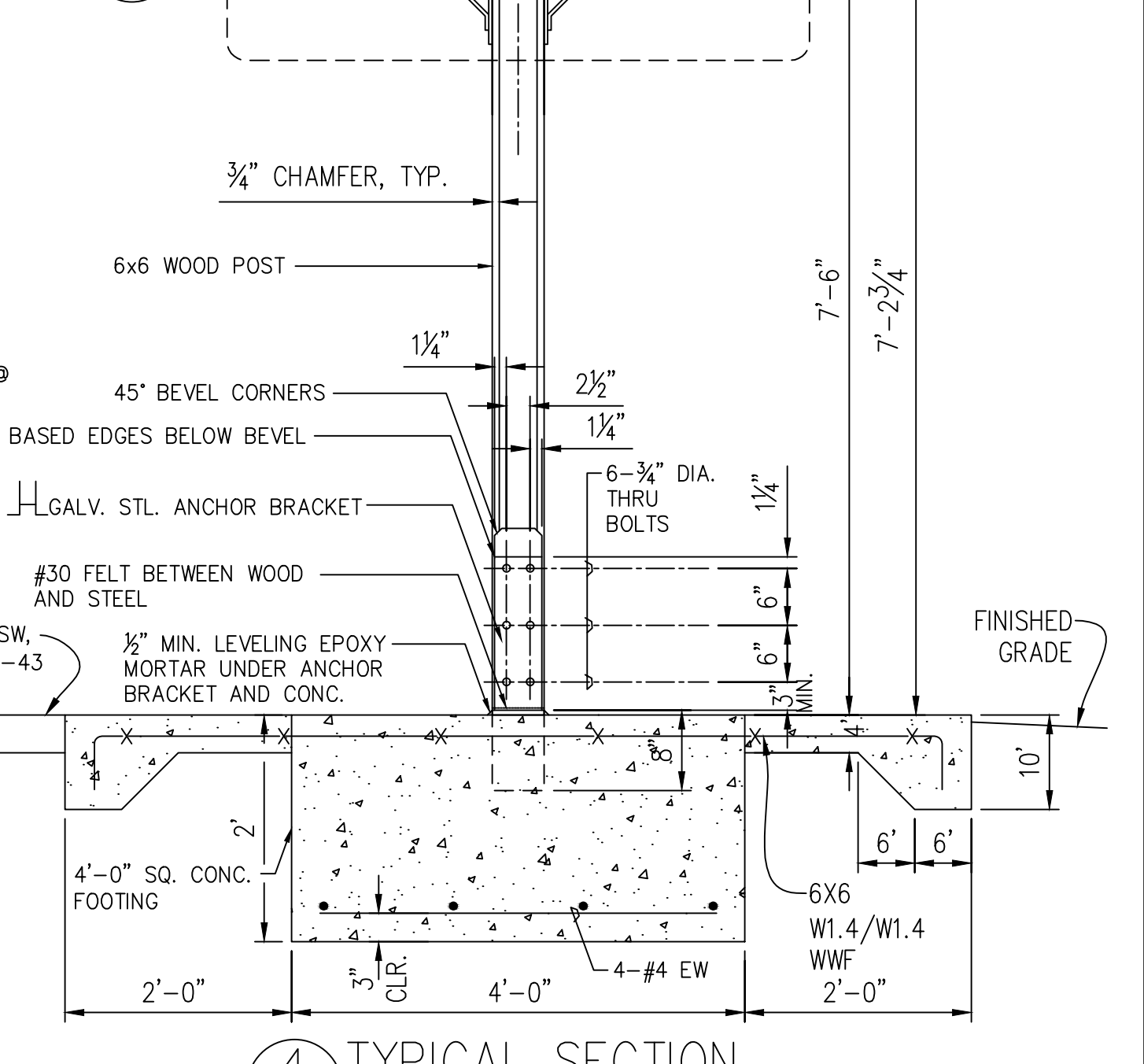
6 FRONT/REAR ELEVATION
C-48 SCALE: 3/8" = 1'-0"



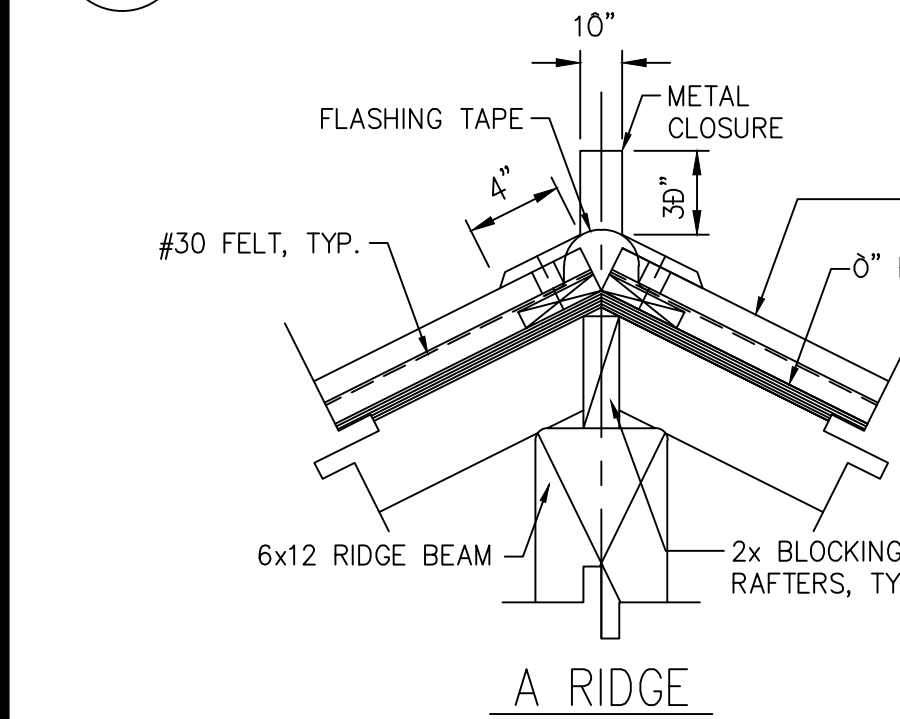
7 BEAM OUTRIGGER DETAILS
C-48 SCALE: 1 1/2" = 1'-0"



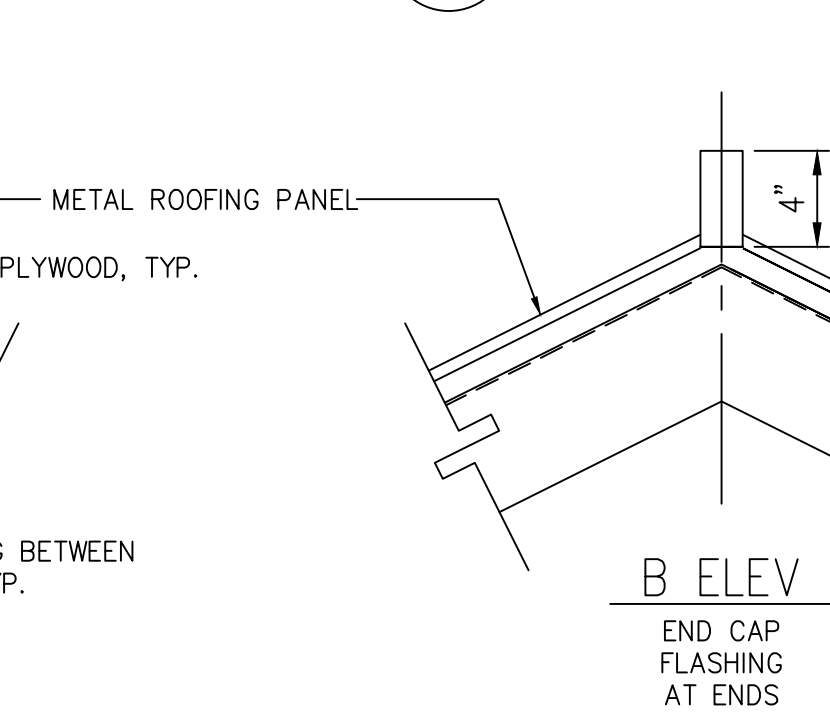
12 RIDGE ANCHORING
C-48 SCALE: 1 1/2" = 1'-0"



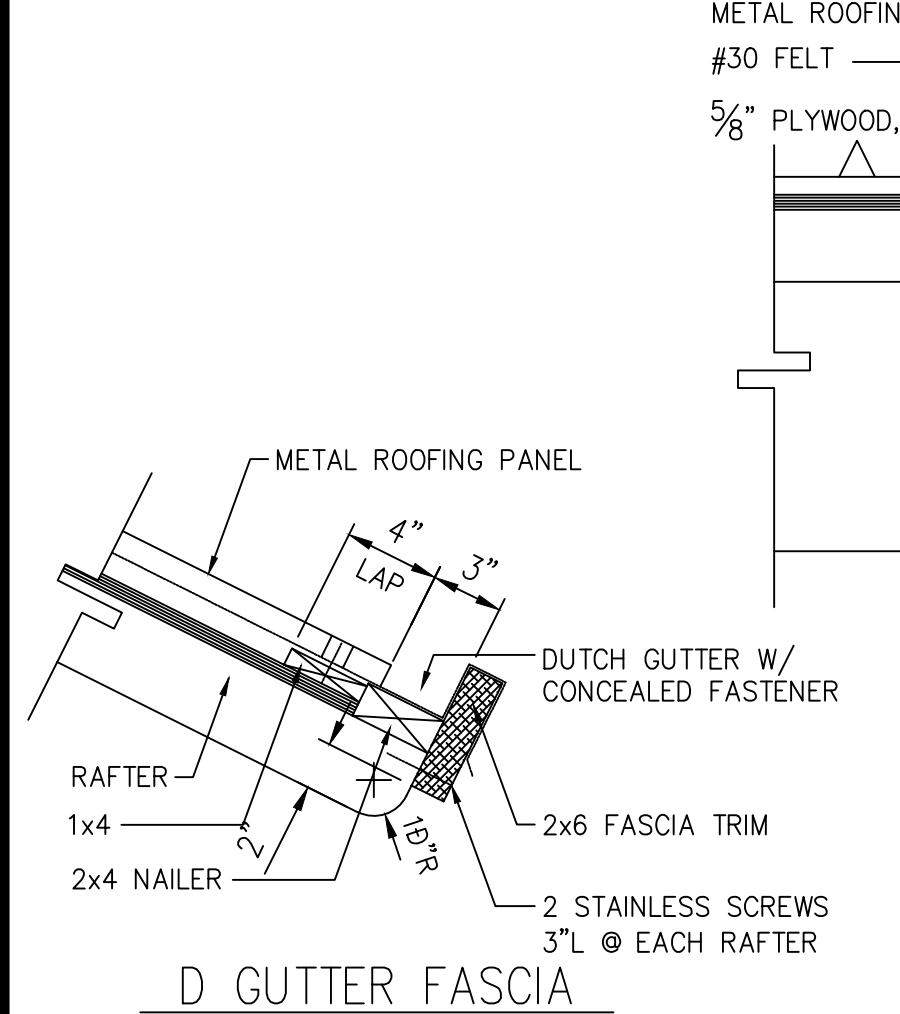
8 CONCRETE STOOL DETAIL
C-48 SCALE: 1 1/2" = 1'-0"



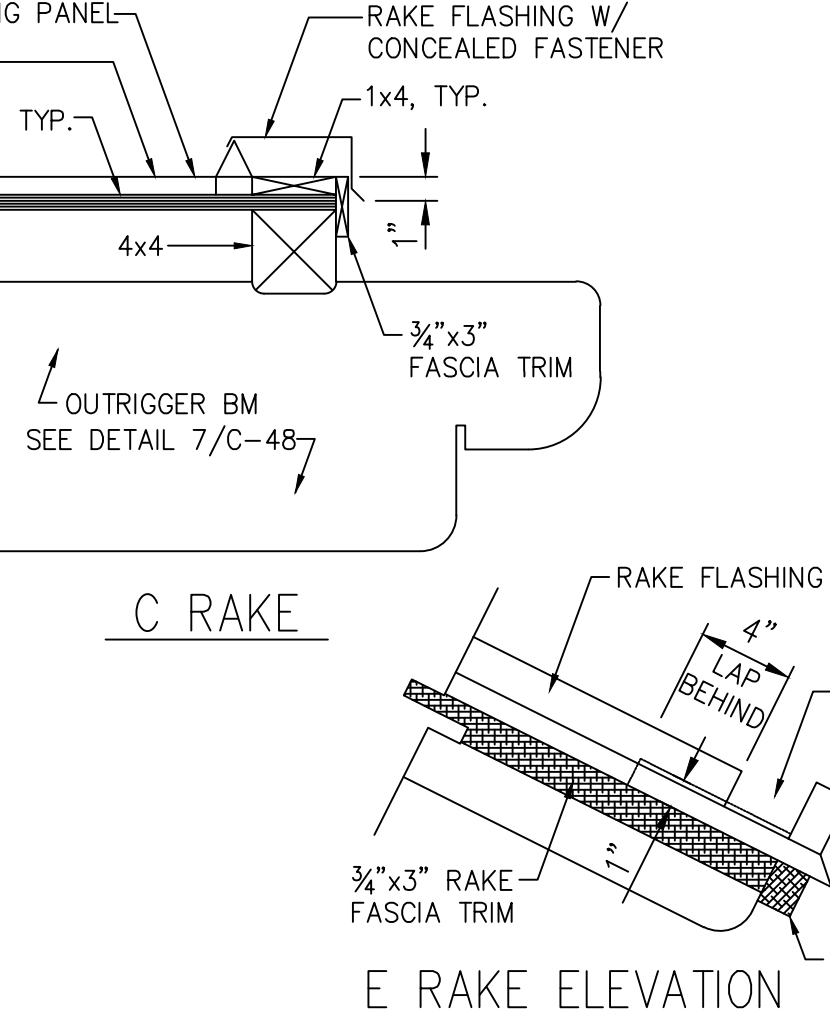
A RIDGE



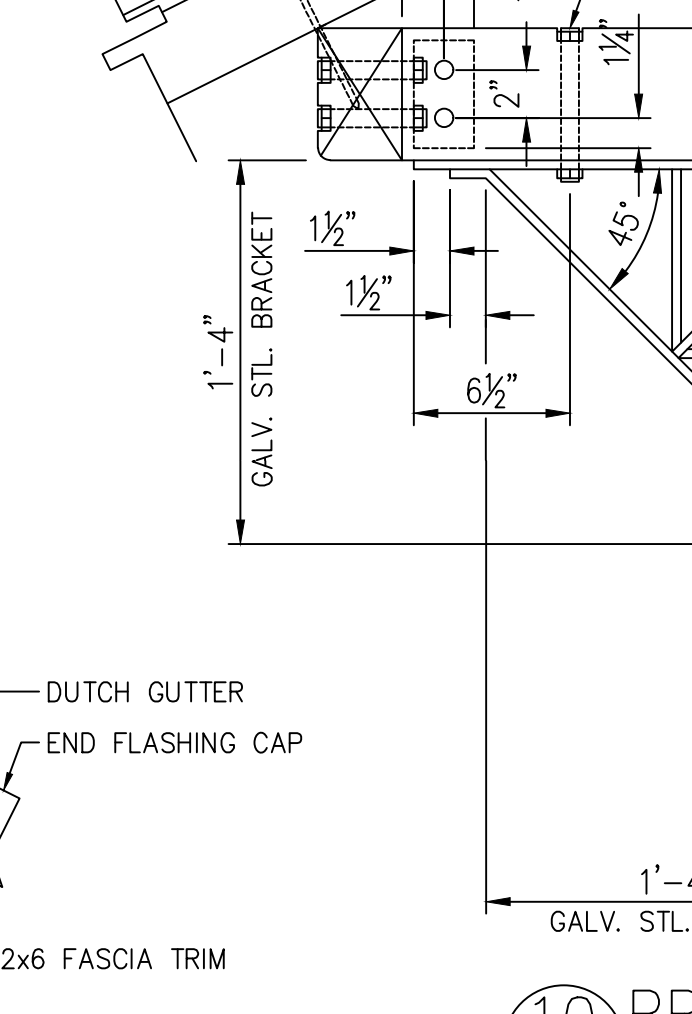
B ELEV
END CAP FLASHING AT ENDS



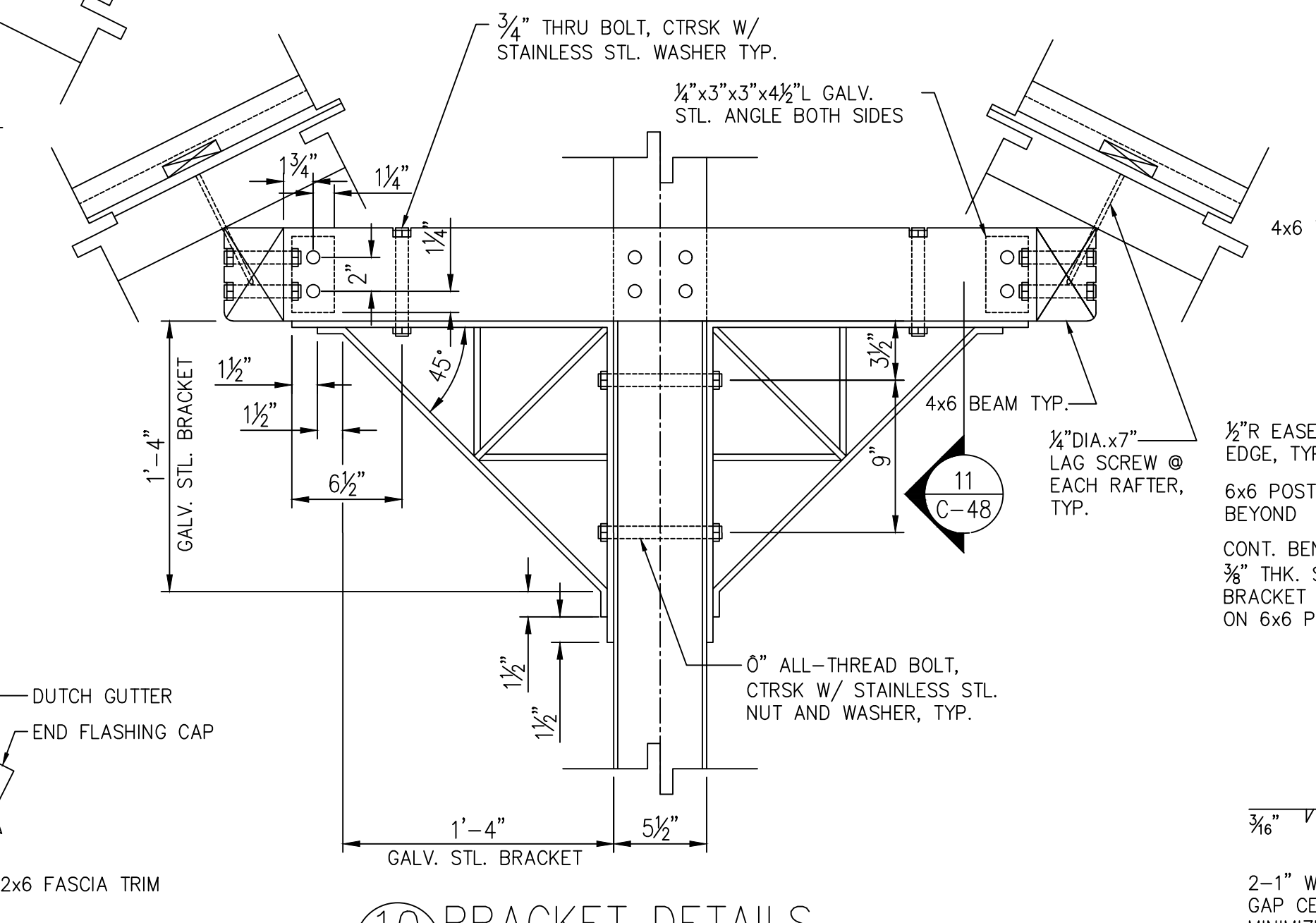
C RAKE



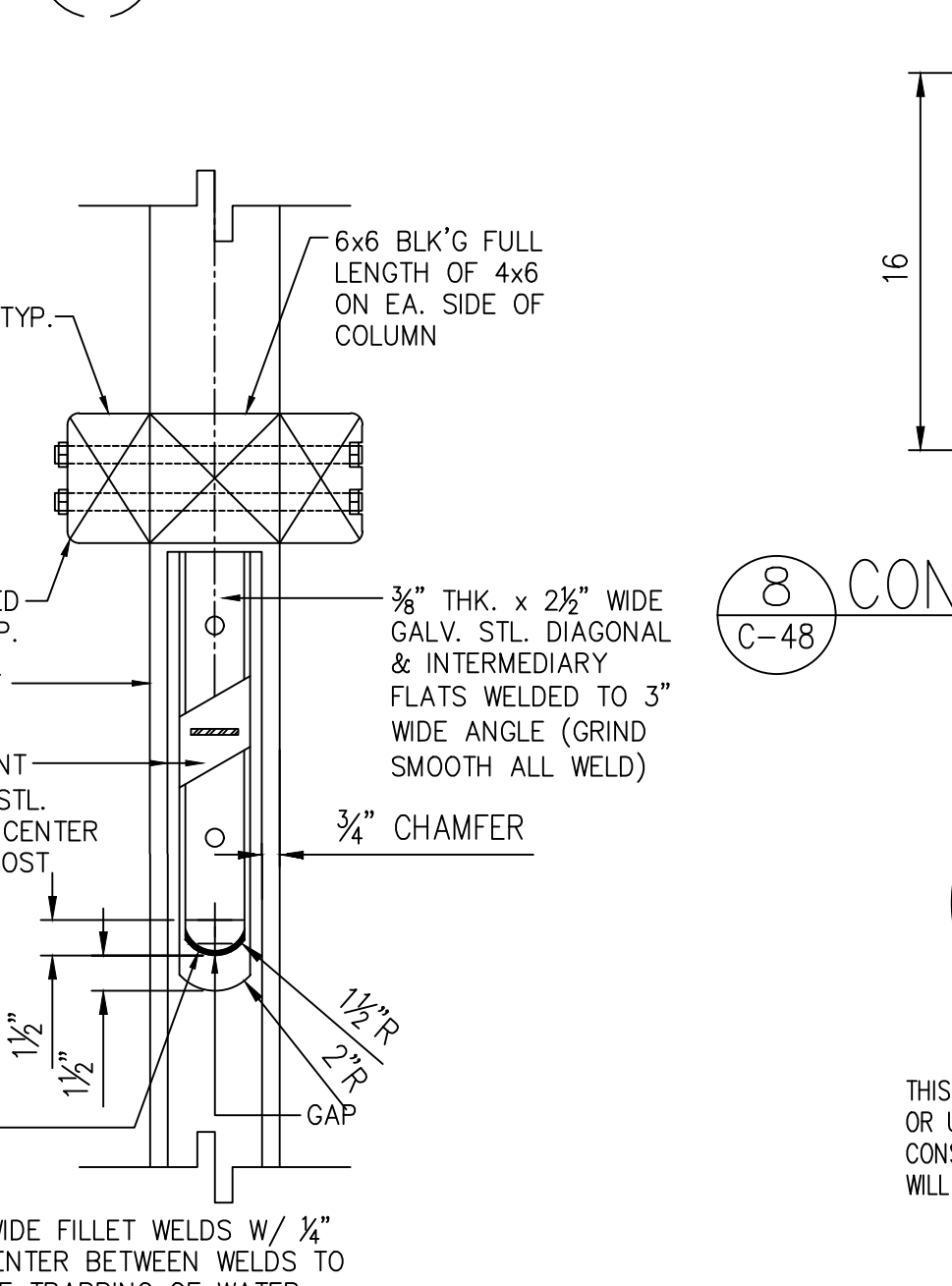
D GUTTER FASCIA



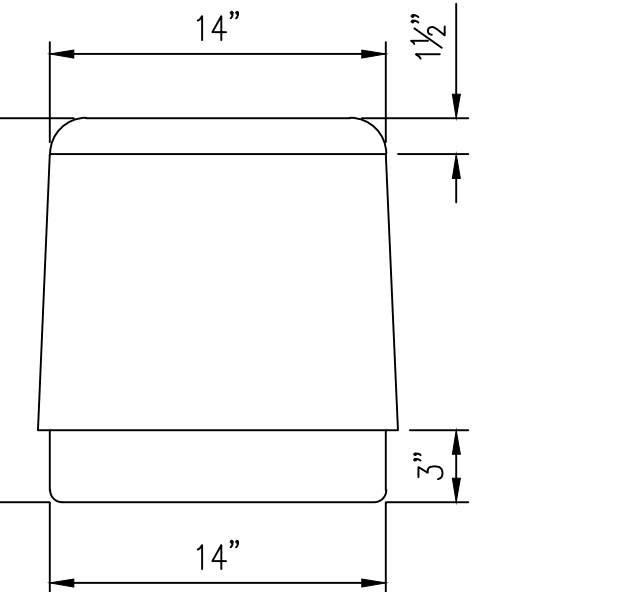
E RAKE ELEVATION



10 BRACKET DETAILS
C-48 SCALE: 1 1/2" = 1'-0"

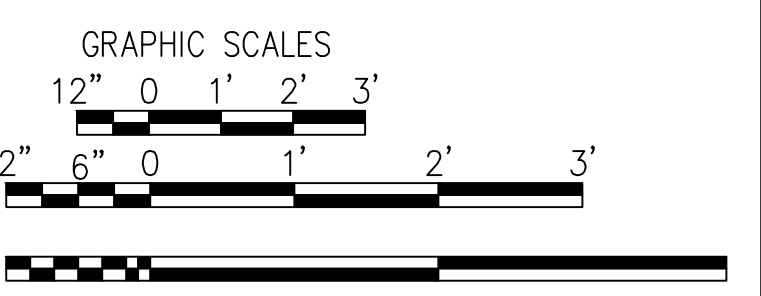


11 BRACKET DETAILS
C-48 SCALE: 1 1/2" = 1'-0"



9 METAL PANEL ROOF DETAILS
C-48 SCALE: 1 1/2" = 1'-0"

DATE	_____
SURVEY PLOTTED BY	_____
DRAWN BY	_____
TRACED BY	_____
DESIGNED BY	_____
QUANTITIES BY	_____
CHECKED BY	_____
ORIGINAL PLAN	_____
NOTE BOOK	_____
No.	_____



THIS WORK WAS PREPARED BY ME OR UNDER MY SUPERVISION AND CONSTRUCTION OF THIS PROJECT WILL BE UNDER MY OBSERVATION.

Michael H. Okamoto April 30, 2022
SIGNATURE EXPIRATION DATE OF THE LICENSE

STATE OF HAWAII
DEPARTMENT OF TRANSPORTATION
HIGHWAYS DIVISION

BUS SHELTER DETAILS

FARRINGTON HIGHWAY
Replacement of Makaha Bridge
No. 3 and Makaha Bridge 3A
F. A. Project No. BR-093-1(20)

Scale: As Shown Date: July 2020

SHEET No. C8.5 OF 168 SHEETS