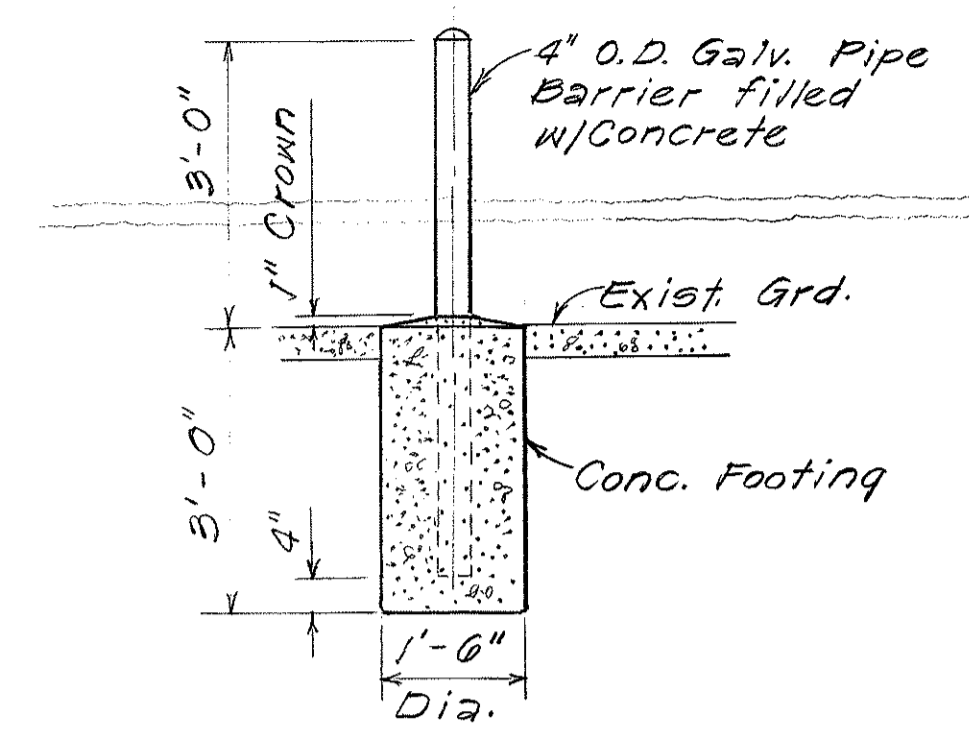


FED. ROAD DIST. NO.	STATE	PROJ. NO.	FISCAL YEAR	SHEET NO.	TOTAL SHEETS
HAWAII	HAW.	03A-02-00	1992	8	11



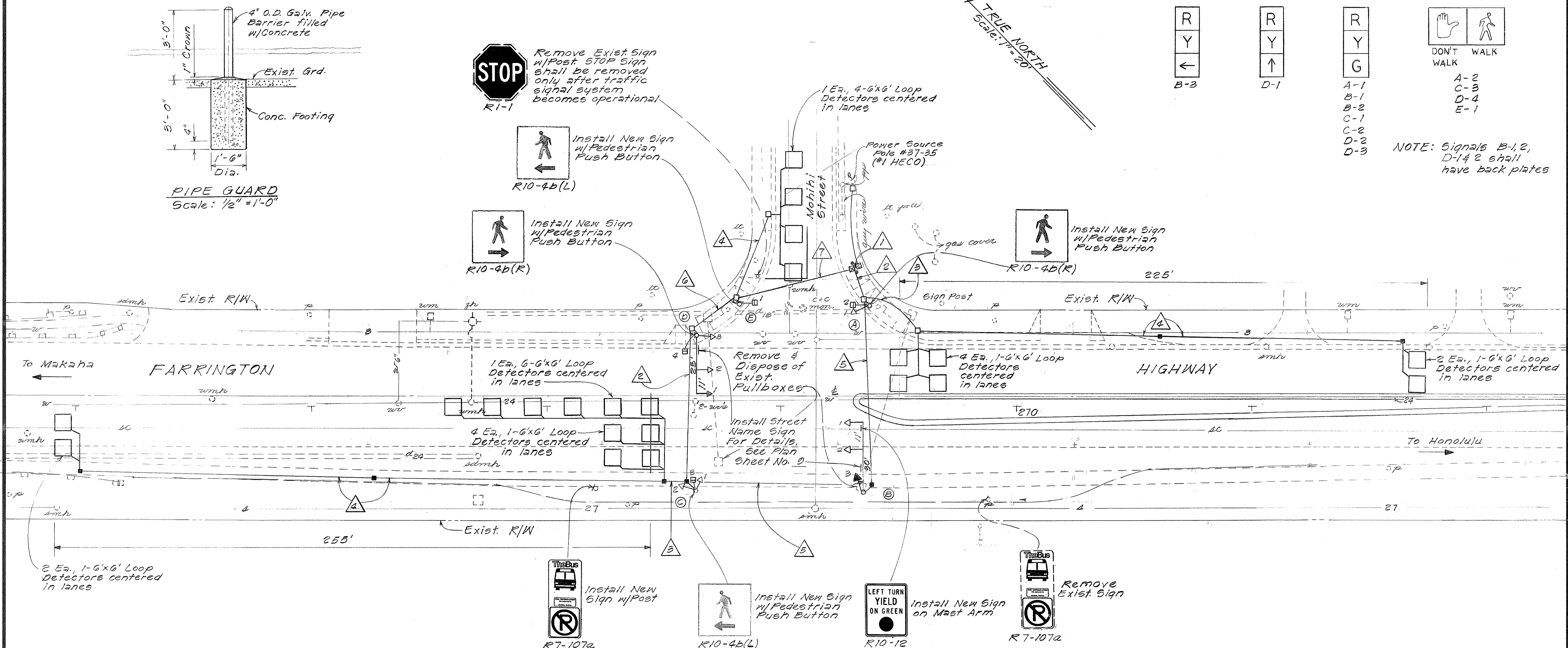
PIPE GUARD
Scale: 1/2" = 1'-0"

STOP
R1-1
Remove Exist Sign w/Post. STOP Sign shall be removed only after traffic signal system becomes operational

Install New Sign w/Pedestrian Push Button
R10-4b(L)

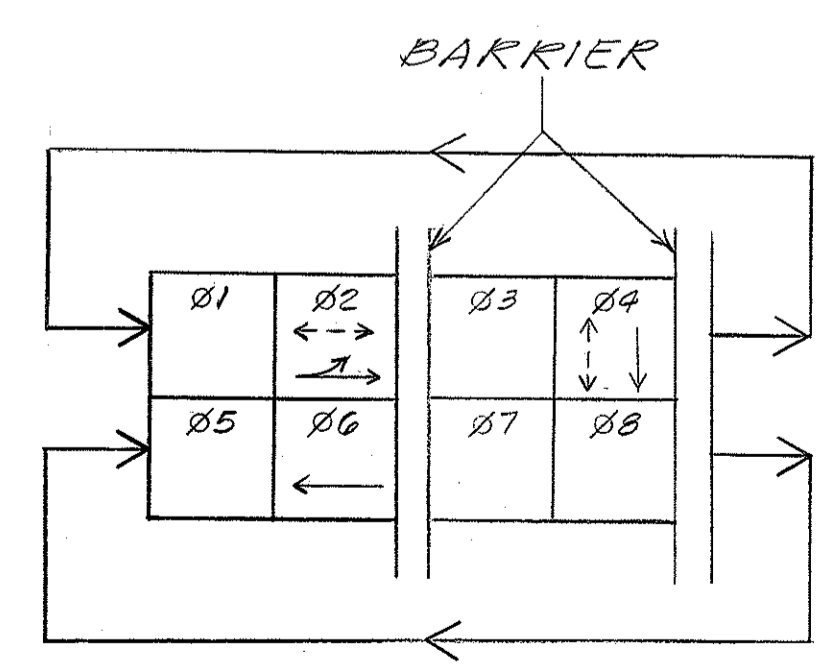
Install New Sign w/Pedestrian Push Button
R10-4b(R)

Install New Sign w/Pedestrian Push Button
R10-4b(R)



- R
Y
←
B-3
 - R
Y
↑
D-1
 - R
Y
G
A-1
B-1
B-2
C-1
C-2
D-2
D-3
 - DON'T WALK
 WALK
 A-2
C-3
D-4
E-1
- NOTE: Signals B-1, 2, D-1 & 2 shall have back plates

CONDUIT & CABLE SCHEDULE		
△	CONDUIT	CABLE
1	5-2" Sch. 80	2-26C #14, 1-30C #6, 7-2C #14
2	2-2" Sch. 80	1-26C #14, 3-2C #14
3	1-2" Sch. 80	2-2C #14
4	1-2" Sch. 80	1-2C #14
5	2-2" Sch. 80	1-26C #14, Spare
6	2-2" Sch. 80	1-26C #14, 4-2C #14
7	2-2" Sch. 80	1-26C #14, 4-2C #14



PHASE DIAGRAM

ORIGINAL PLAN
DATE
SURVEY PLOTTED BY
DRAWN BY
DESIGNED BY
NOTE BOOK
CHECKED BY

STATE OF HAWAII
DEPARTMENT OF TRANSPORTATION
HIGHWAYS DIVISION

TRAFFIC SIGNAL PLAN

FARRINGTON HIGHWAY
Traffic Signal at Mohihi St.
PROJECT NO 03A-02-00

Scale: 1" = 20' Date: Mar, 1992

SHEET NO. 1 OF 1 SHEETS