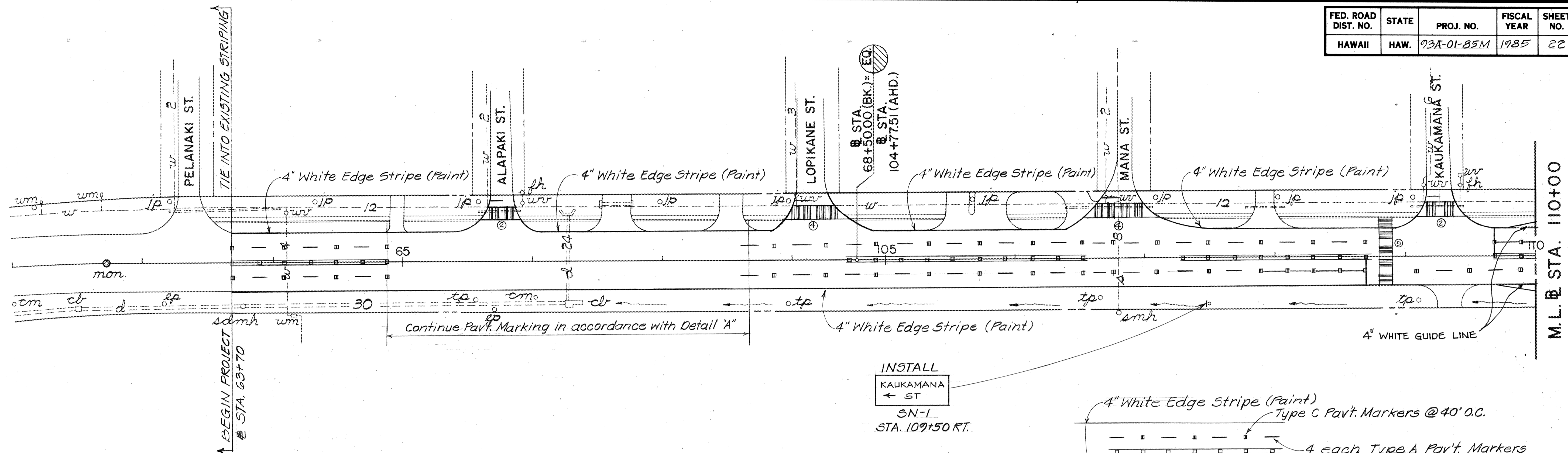
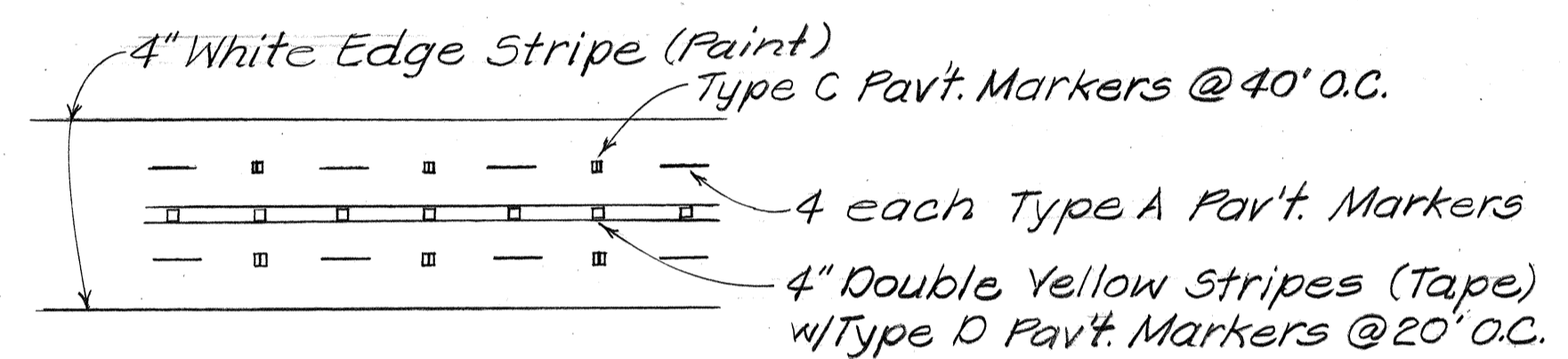


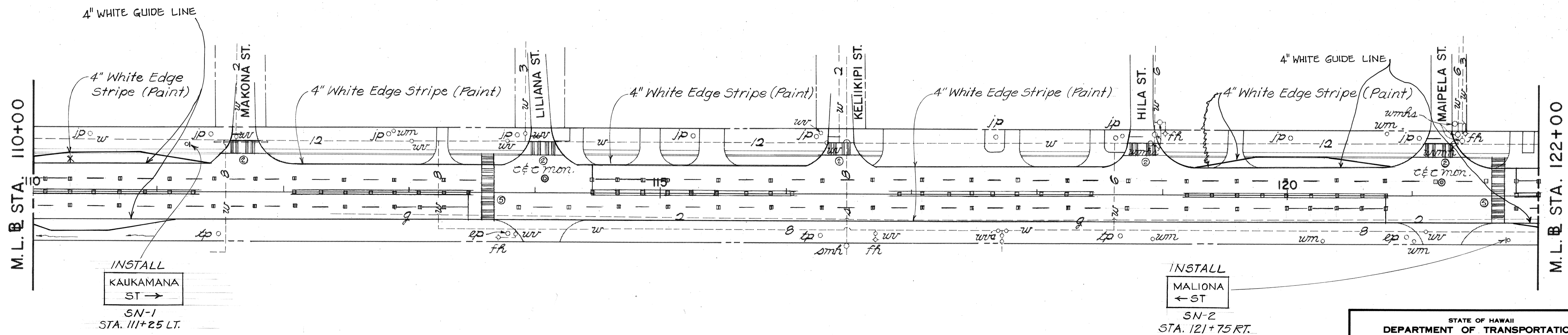
FED. ROAD DIST. NO.	STATE	PROJ. NO.	FISCAL YEAR	SHEET NO.	TOTAL SHEETS
HAWAII	HAW.	93A-01-85M	1985	22	30



INSTALL
KAUKAMANA
← ST
SN-1
STA. 109+50 RT.



DETAIL "A"



INSTALL
KAUKAMANA
ST →
SN-1
STA. 111+25 LT.

INSTALL
MALIONA
← ST
SN-2
STA. 121+75 RT.

SURVEY PLOTTED BY	DATE
DRAWN BY	
TRACED BY	
DESIGNED BY	
QUANTITIES BY	
CHECKED BY	
NO.	

STATE OF HAWAII
DEPARTMENT OF TRANSPORTATION
HIGHWAYS DIVISION

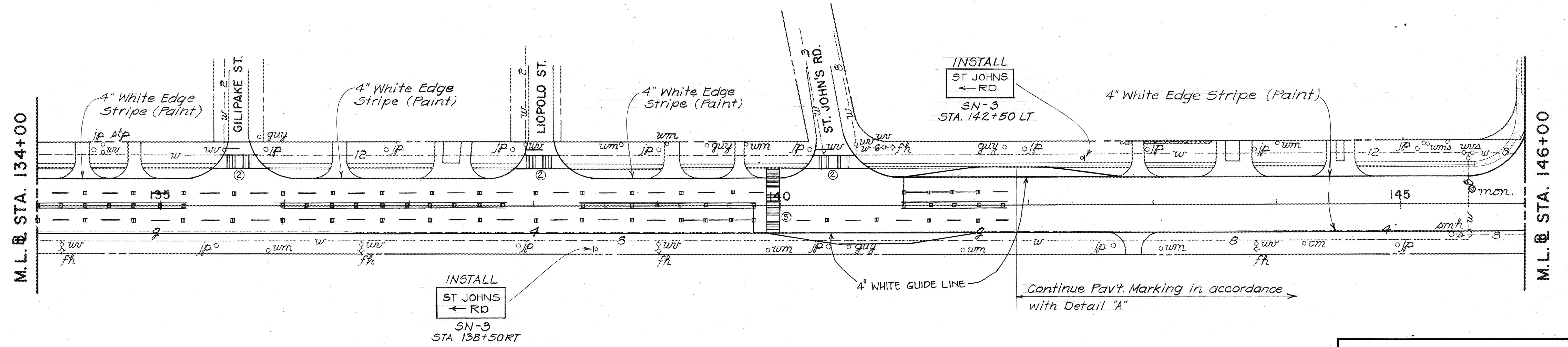
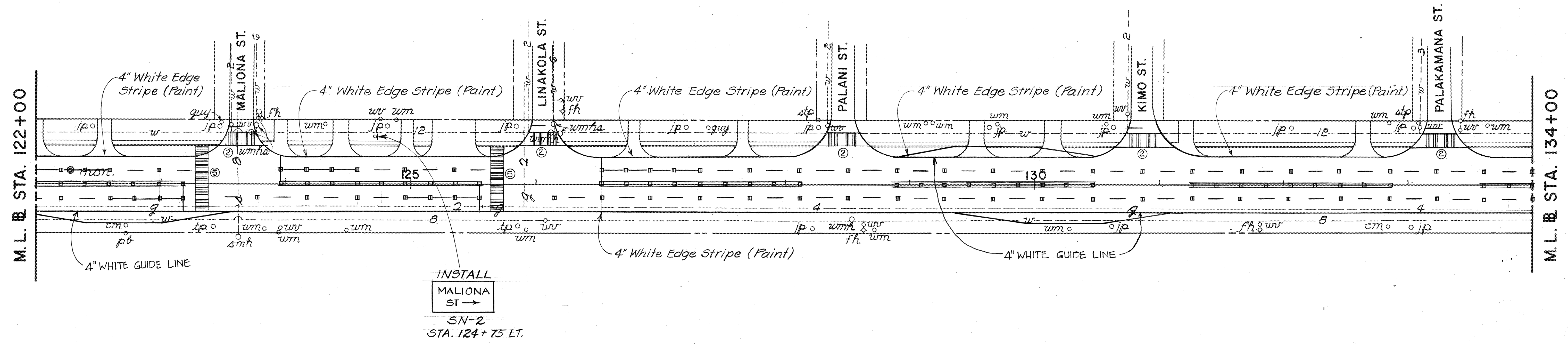
SIGNING & PAVEMENT MARKINGS

FARRINGTON HIGHWAY RESURFACING
Pelanaki St. toward Ulehawa Bridge
PROJECT NO. 93A-01-85M

Scale: 1" = 40'-0" Date: Nov. 1984

SHEET NO. 1 OF 9 SHEETS

FED. ROAD DIST. NO.	STATE	PROJ. NO.	FISCAL YEAR	SHEET NO.	TOTAL SHEETS
HAWAII	HAW.	93A-01-85M	1985	23	30



SURVEY PLOTTED BY	DATE
DRAWN BY	
DESIGNED BY	
QUANTITIES BY	
CHECKED BY	
ORIGINAL PLAN	
NOTE BOOK	
NO.	

STATE OF HAWAII
DEPARTMENT OF TRANSPORTATION
HIGHWAYS DIVISION

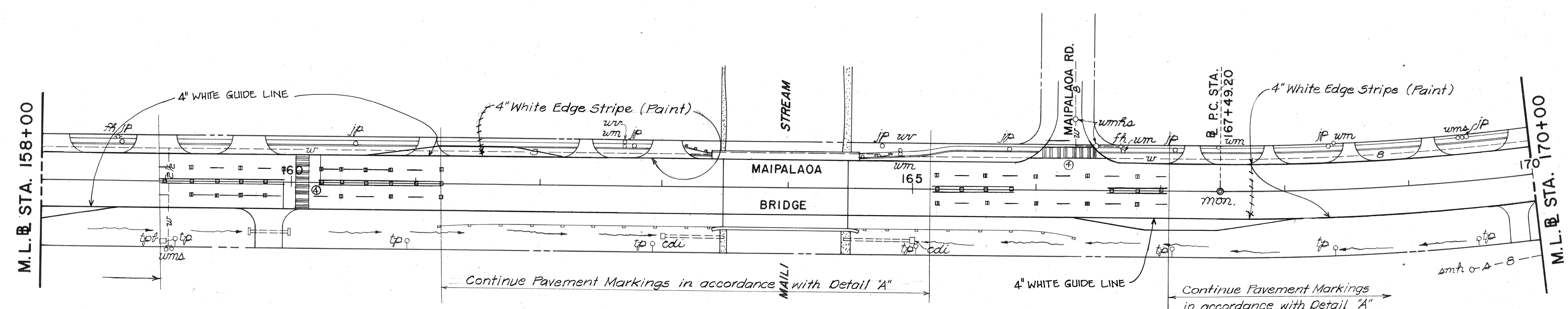
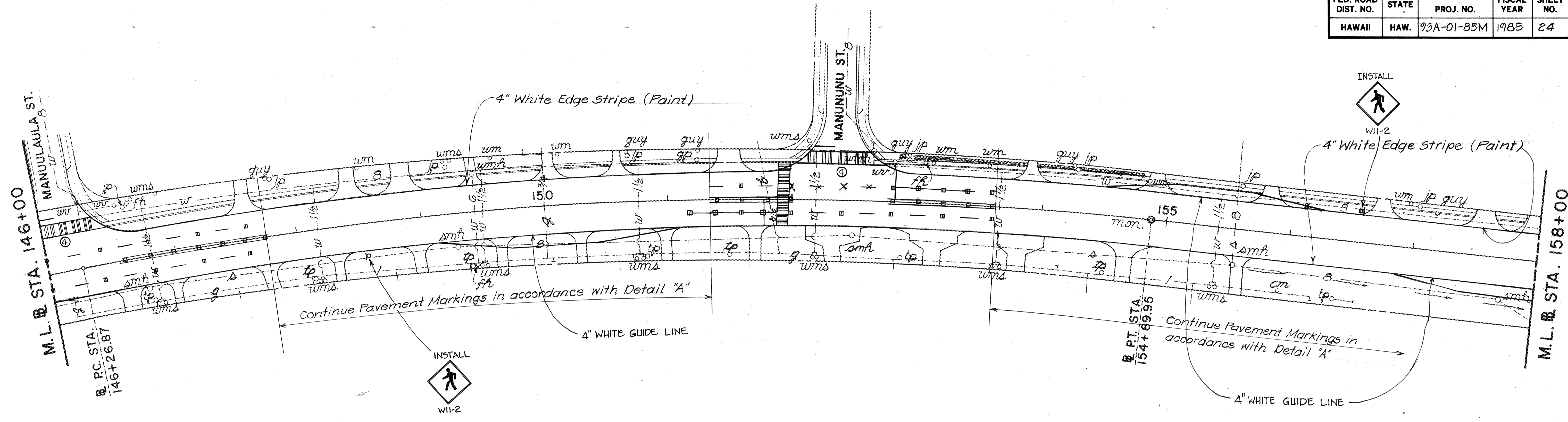
SIGNING & PAVEMENT MARKINGS

FARRINGTON HIGHWAY RESURFACING
Pelenaki St toward Ulehawa Bridge
PROJECT NO. 93A-01-85M

Scale: 1" = 40'-0" Date: Nov. 1984

SHEET No. 2 OF 9 SHEETS

FED. ROAD DIST. NO.	STATE	PROJ. NO.	FISCAL YEAR	SHEET NO.	TOTAL SHEETS
HAWAII	HAW.	93A-01-85M	1985	24	30



SURVEY PLOTTED BY	DATE
DRAWN BY	
TRACED BY	
QUANTITIES BY	
CHECKED BY	
ORIGINAL PLAN	
NOTE BOOK	
NO.	

STATE OF HAWAII
DEPARTMENT OF TRANSPORTATION
HIGHWAYS DIVISION

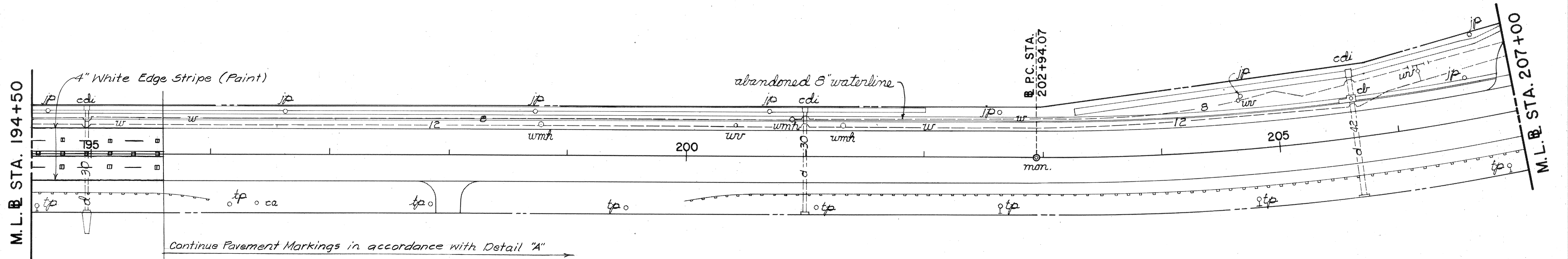
SIGNING & PAVEMENT MARKINGS

FARRINGTON HIGHWAY RESURFACING
Pelenaki St. toward Uleehawa Bridge
PROJECT NO. 93A-01-85M

Scale: 1" = 40'-0" Date: Nov. 1984

SHEET No. 3 OF 7 SHEETS

FED. ROAD DIST. NO.	STATE	PROJ. NO.	FISCAL YEAR	SHEET NO.	TOTAL SHEETS
HAWAII	HAW.	93A-01-85M	1985	26	30

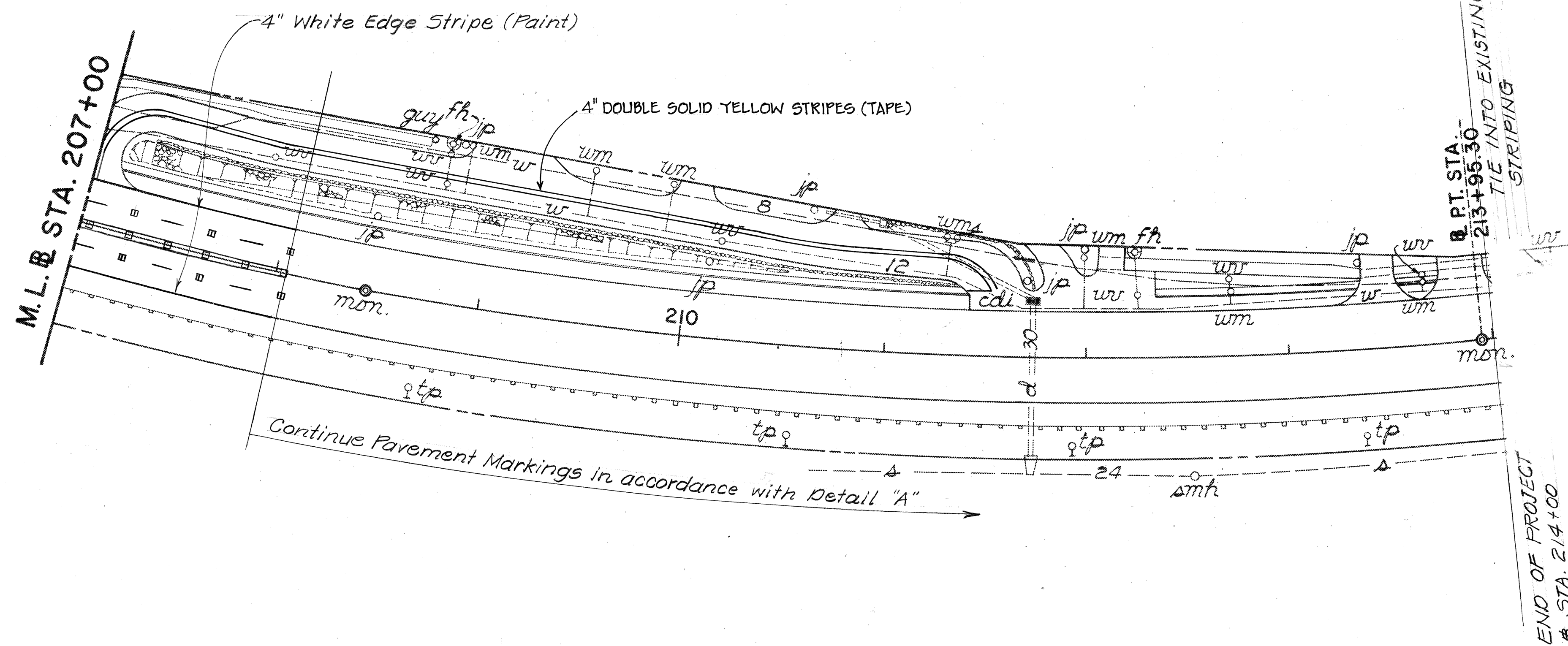


LEGEND

- 4 each Type "A" Raised Pavement Markers
- Type "C" Raised Pavement Markers @ 40'-0" o.c.
- 8" White Stripe (Tape) with Type "C" Raised Pavement Markers @ 20' o.c.
- 4" Double Solid Yellow Stripes (Tape) with Type "D" Raised Pavement Markers @ 20' o.c.
- Crosswalk (Tape) & Stop Line (Tape). All Stop Lines shall be 10'-0" from Crosswalk unless otherwise noted. The circled number indicates the number of lanes for payment.

GENERAL NOTES

1. Locations of all new Pavement Markings shall be staked out by the Contractor for approval by the Engineer prior to installation.
2. Existing Pavement Markings not incorporated in the final traffic pattern shall be removed as directed by the Engineer. Costs shall be incidental to the various contract items.
3. Raised Pavement Markings shall not be placed within crosswalks.
4. Existing signs not shown on these plans shall remain as posted unless otherwise directed by the Engineer. Removal of existing signs shall be incidental to the various contract items.
5. Final locations of all signs shall be approved by the Engineer.



DATE	
SURVEY PLOTTED BY	
DRAWN BY	
TRACED BY	
DESIGNED BY	
QUANTITIES BY	
CHECKED BY	
ORIGINAL PLAN	
NOTE BOOK	
No.	

STATE OF HAWAII
DEPARTMENT OF TRANSPORTATION
HIGHWAYS DIVISION

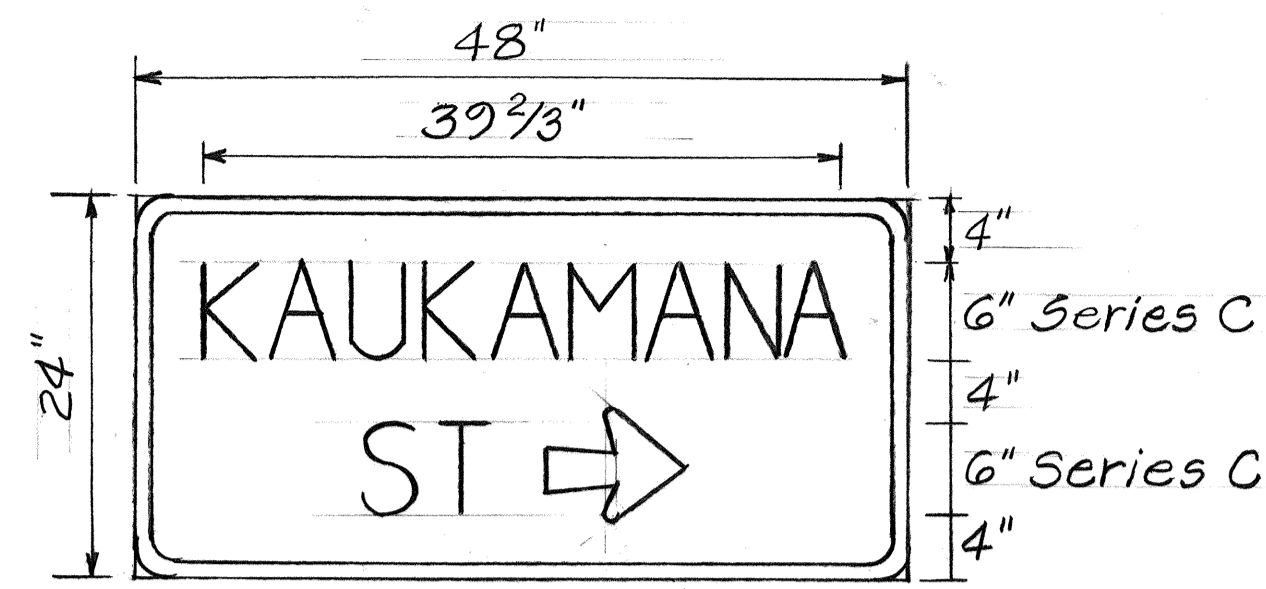
SIGNING & PAVEMENT MARKINGS

FARRINGTON HIGHWAY RESURFACING
Pelenaki St. toward Ulehawa Bridge
PROJECT NO. 93A-01-85M

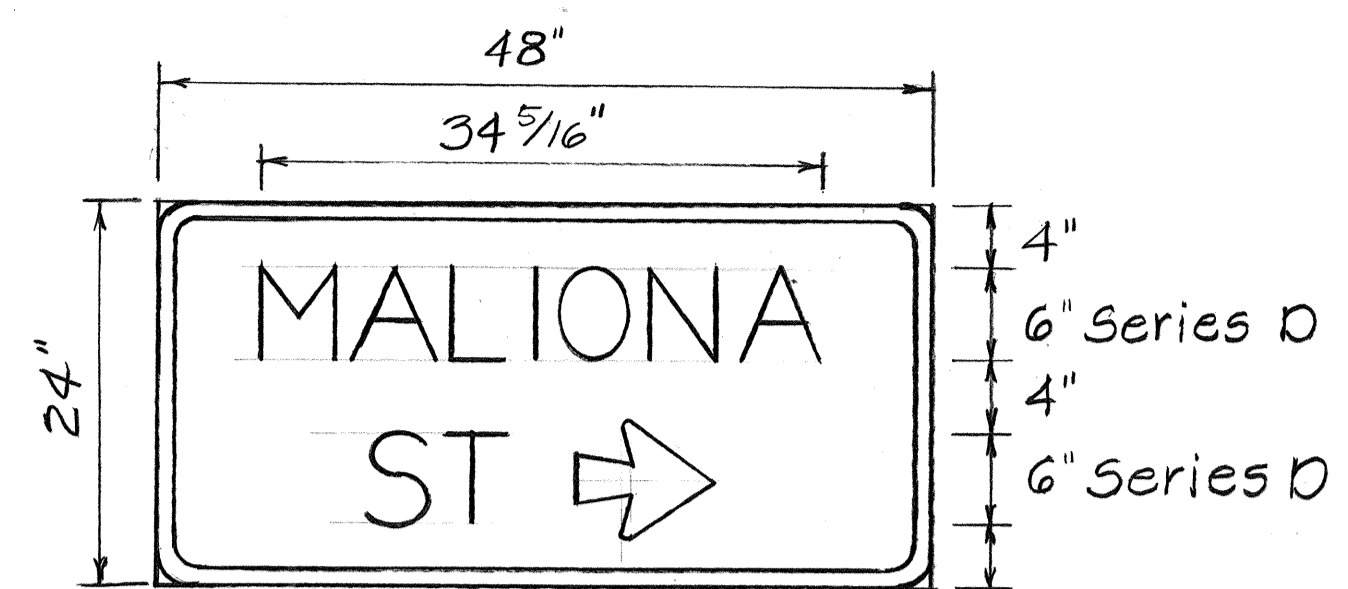
Scale: 1" = 40'-0" Date: Nov. 1984

SHEET NO. 5 OF 9 SHEETS

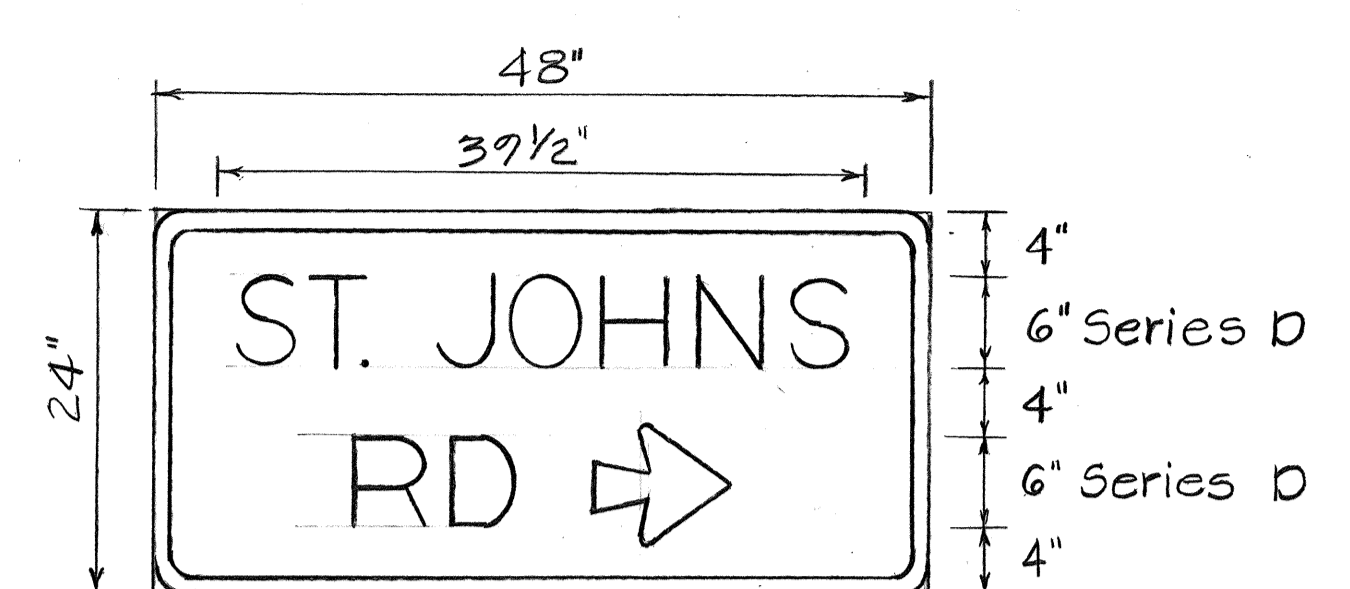
FED. ROAD DIST. NO.	STATE	PROJ. NO.	FISCAL YEAR	SHEET NO.	TOTAL SHEETS
HAWAII	HAW.	93A-01-85M	1985	27	30



SN-1
STA. 107+50 RT & STA. 111+25 LT

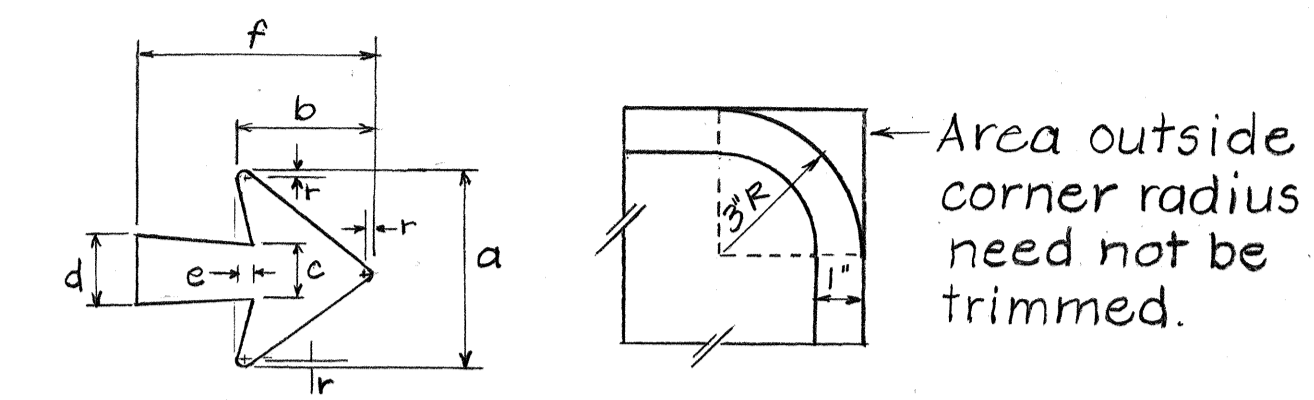


SN-2
STA. 121+75 RT & STA. 124+75 LT



SN-3
STA. 138+50 RT & STA. 142+50 LT

PANEL LAYOUT
SCALE: 1"=1'-0"



ARROW DIMENSIONS IN INCHES

a	b	c	d	e	f	r
8 1/4	5 1/4	2 1/4	2 1/4	3/8	9 1/8	1/2

BORDER DETAIL
N.T.S.

ARROW DETAIL
N.T.S.

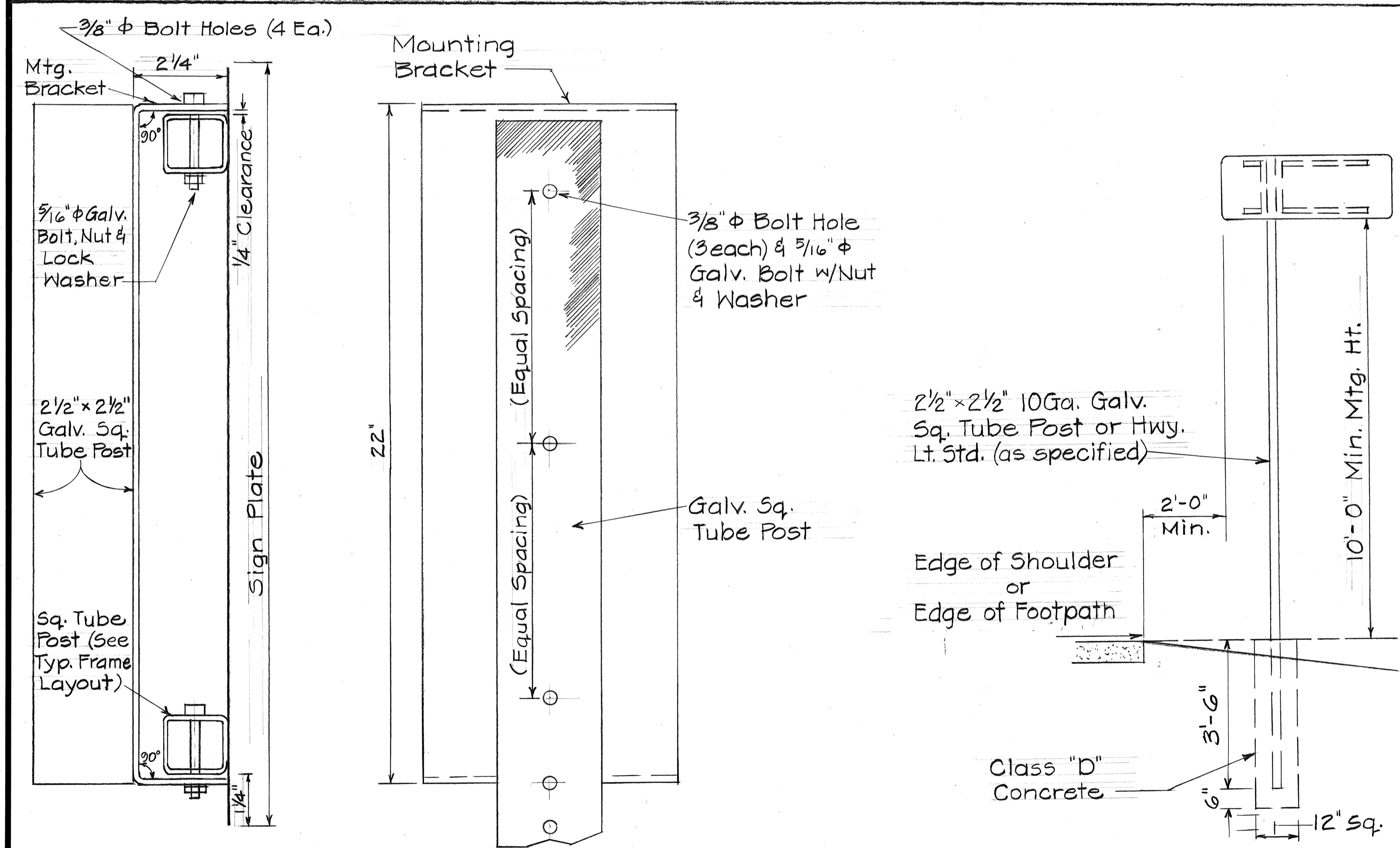
- NOTE:**
- Signs shall conform to the latest FHWA publications: "Manual on Uniform Traffic Control Devices for Streets & Highways", & as amended. "Standard Alphabets for Highway Signs", & as amended.

COLOR:

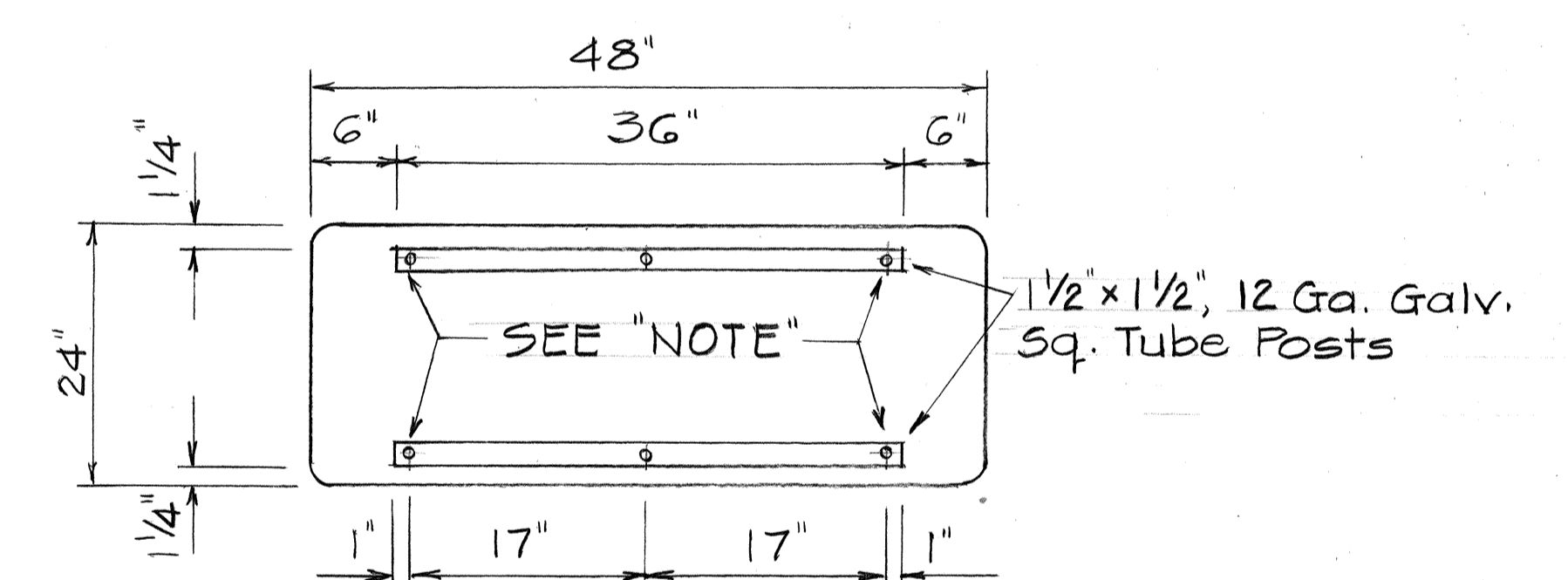
Letters } White reflective sheeting on
Border } demountable *Aluminum cut-outs.
Background } Green Reflective Sheeting.

SIGN PANEL:

0.100" Sheet Aluminum
* Fastened to sign panel with aluminum blind rivets.



- NOTE:**
- Final adjustment of Unbalanced Sign Installations shall be determined in the field by the Engineer.
 - For additional details see sheet DT100.



FRAME LAYOUT
N.T.S.

- NOTE:**
- Sign shall be attached to sq. tube frame w/ 5/16" galvanized bolts w/nuts & 7/8" x 0.06" stainless steel washers w/neoprene rubber gasket.

SURVEY PLOTTED BY: _____ DATE: _____
 ORIGINAL PLAN: _____
 DRAWN BY: _____
 TRACED BY: _____
 DESIGNED BY: _____
 QUANTITIES BY: _____
 CHECKED BY: _____
 NO. _____

MOUNTING BRACKET FOR UNBALANCED SIGN INSTALLATION
N.T.S.

TYPICAL UNBALANCED SIGN MOUNTING
SCALE: 1/2"=1'-0"

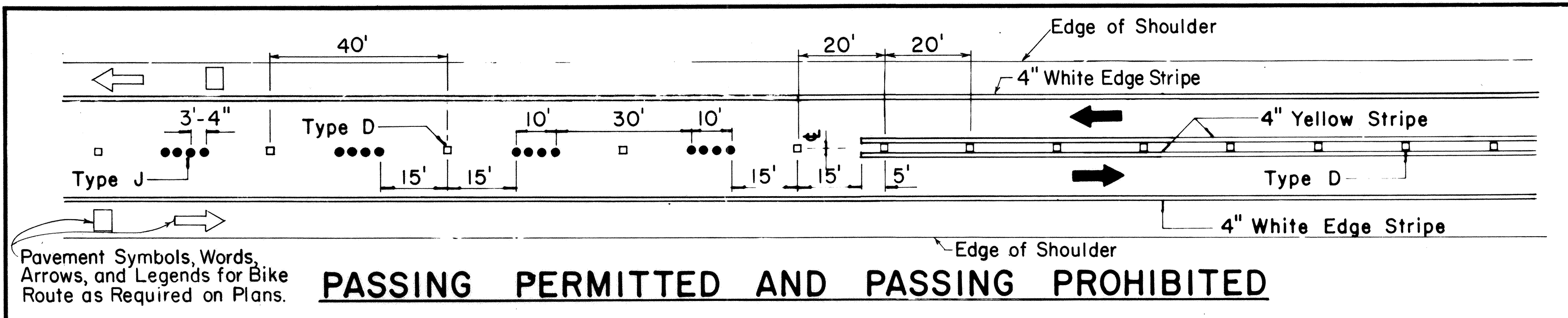
STATE OF HAWAII
DEPARTMENT OF TRANSPORTATION
HIGHWAYS DIVISION

MISCELLANEOUS SIGN DETAILS

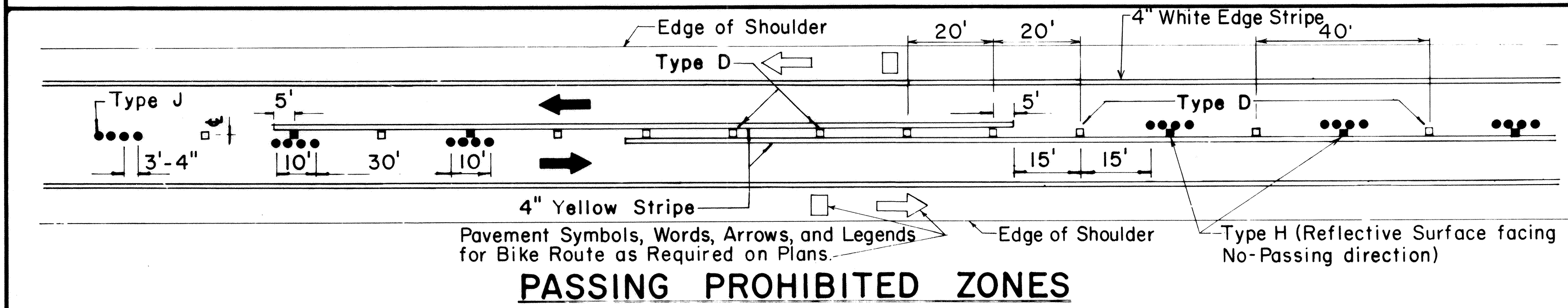
FARRINGTON HWY. RESURFACING
Pejenaki St. twd. Uleehawa Bridge
PROJECT NO. 93A-01-85M

Scale: As Shown Date: Nov. 1984
SHEET NO. 6 OF 9 SHEETS

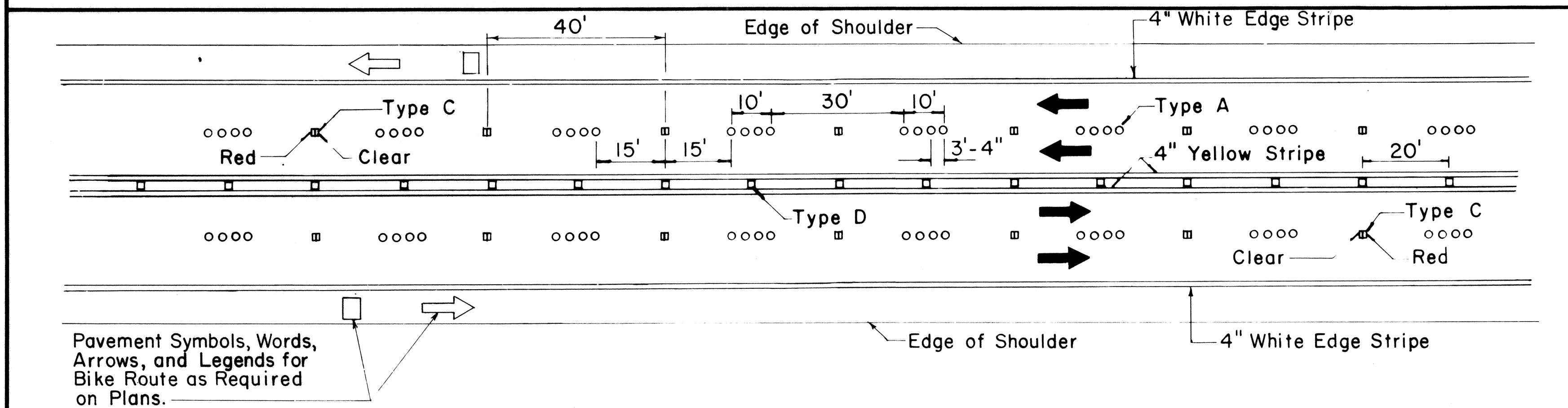
FED. ROAD DIST. NO.	STATE	PROJ. NO.	FISCAL YEAR	SHEET NO.	TOTAL SHEETS
HAWAII	HAW.	93A-01-85M	1985	28	30



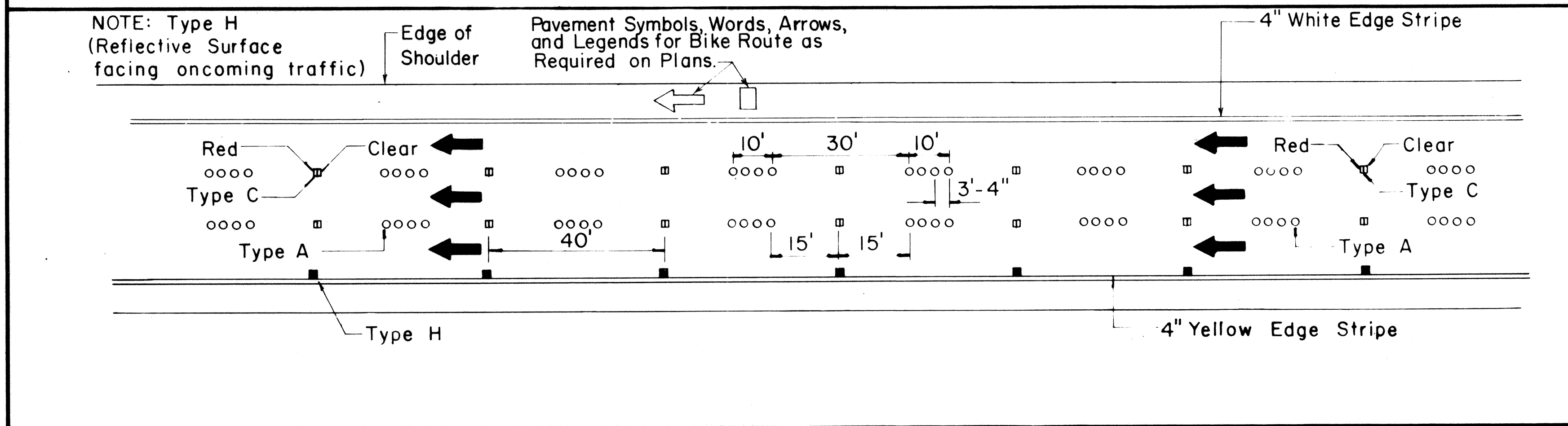
PASSING PERMITTED AND PASSING PROHIBITED



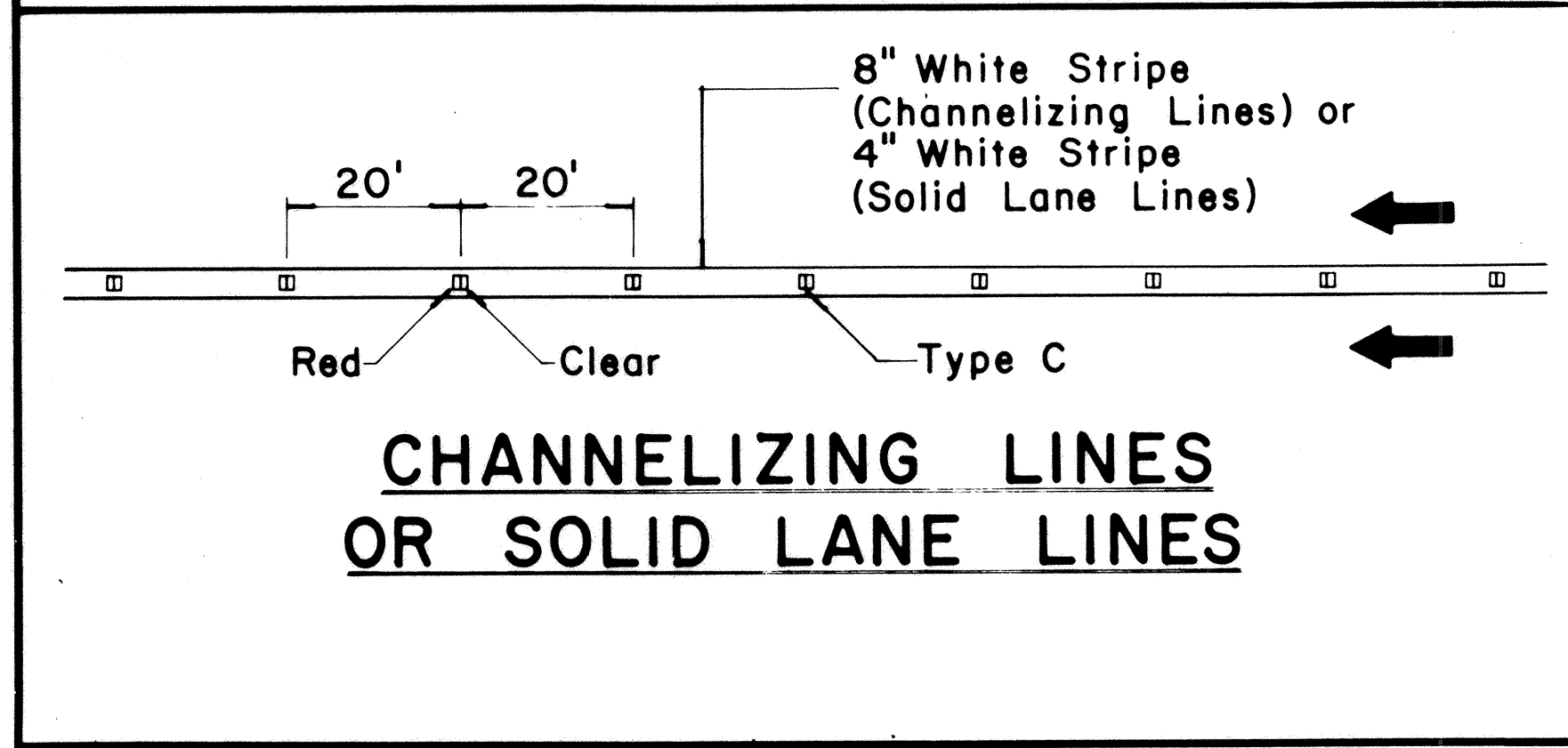
PASSING PROHIBITED ZONES



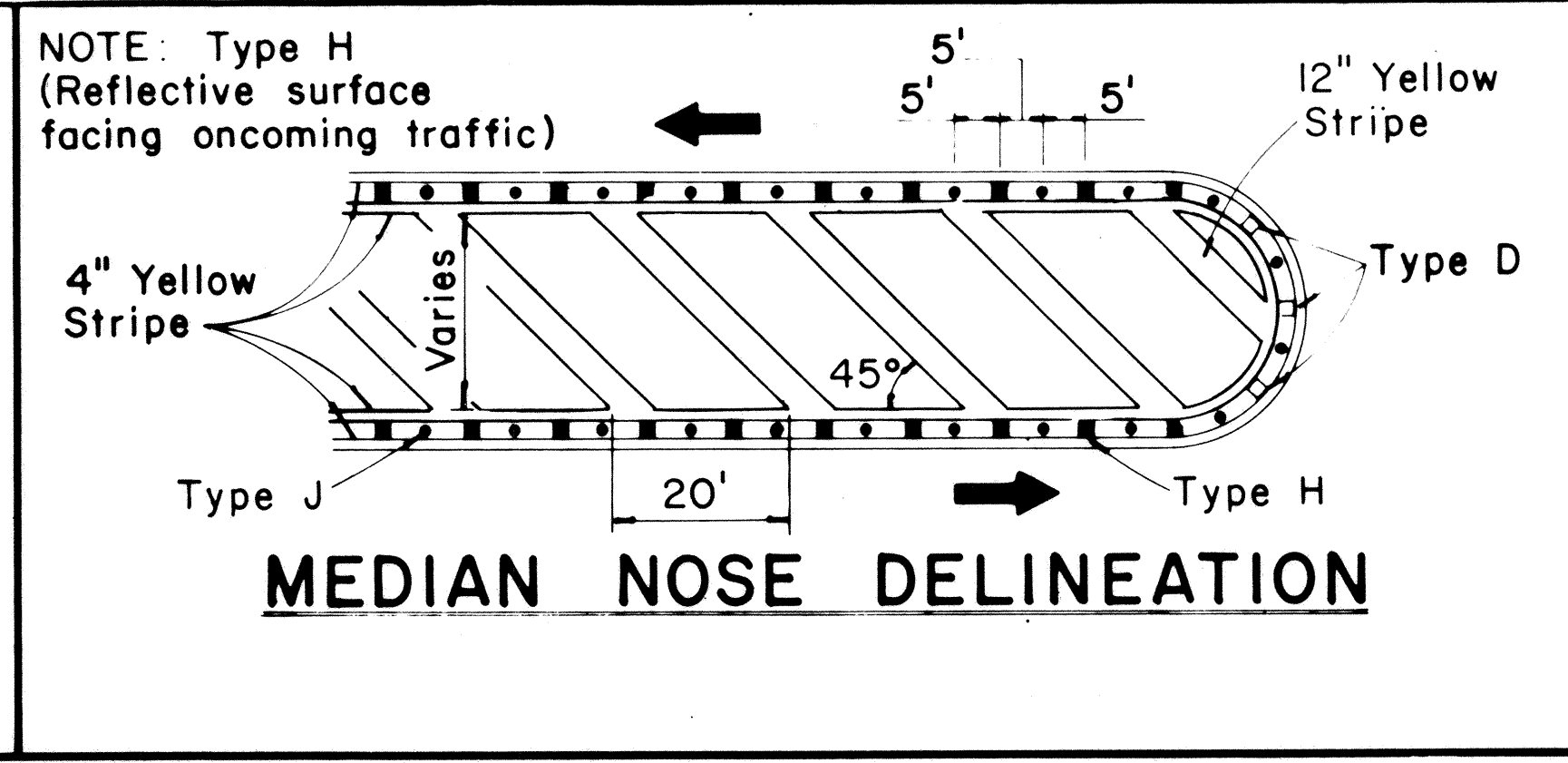
MULTI - LANE



DIVIDED HIGHWAY AND FREEWAY

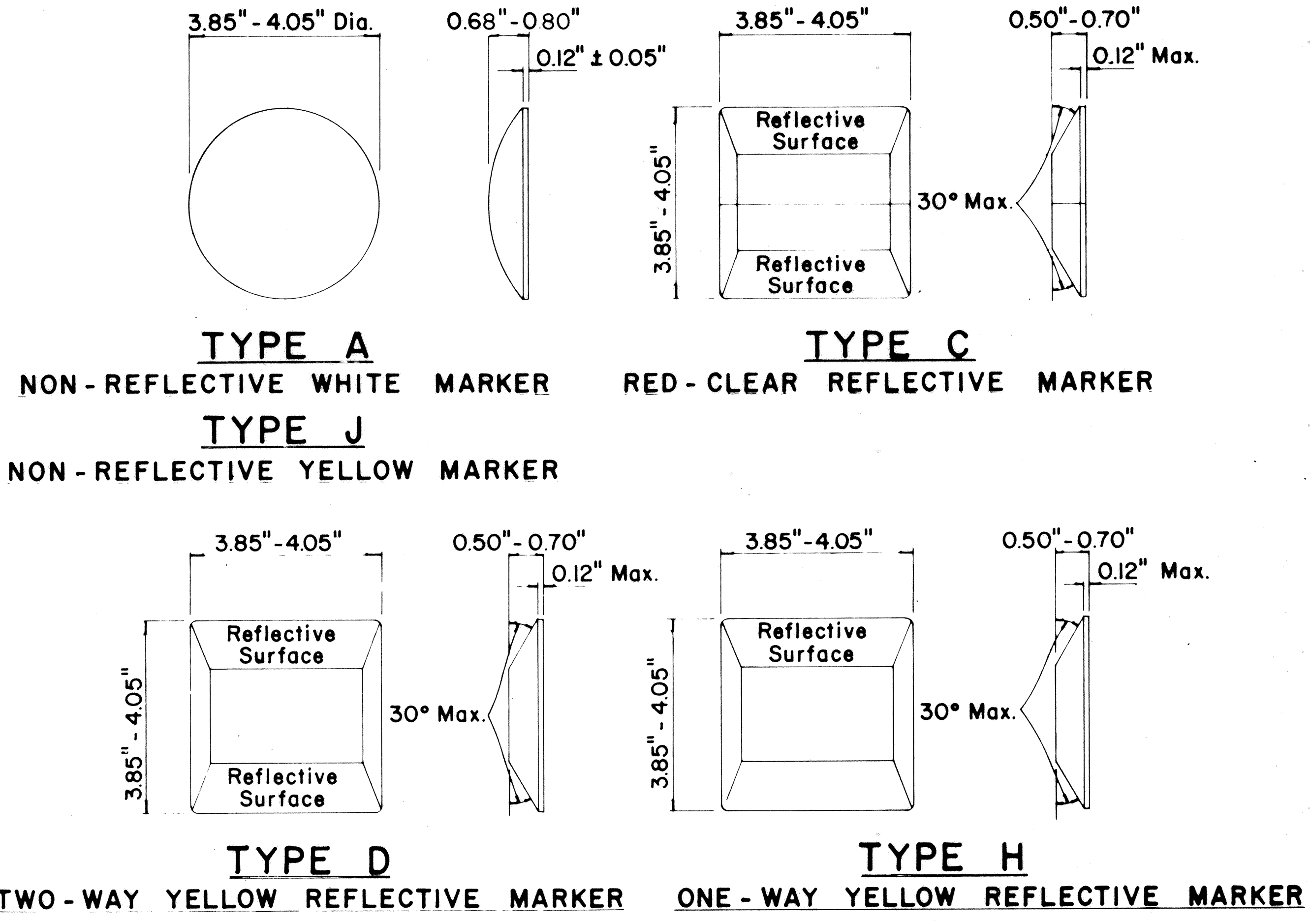


CHANNELIZING LINES OR SOLID LANE LINES



MEDIAN NOSE DELINEATION

MISCELLANEOUS



TYPE A
NON-REFLECTIVE WHITE MARKER

TYPE J
NON-REFLECTIVE YELLOW MARKER

TYPE C
RED-CLEAR REFLECTIVE MARKER

TYPE D
TWO-WAY YELLOW REFLECTIVE MARKER

TYPE H
ONE-WAY YELLOW REFLECTIVE MARKER

GENERAL NOTES

- Pavement marking and striping shall conform to the latest "Manual on Uniform Traffic Control Devices for Streets and Highways," and as amended.
- Layout and installation of pavement marking and striping shall be done by the Contractor. The Contractor shall check the layouts with the Engineer prior to performing work.
- Edge lines shall not be continued through intersections and shall not be broken for driveways unless otherwise shown or directed.

LEGEND

- Type A
- Type C
- Type D
- Type H
- Type J

APPROVAL RECOMMENDED:
Eiichi Tanaka 7/21/78
TRAFFIC ENGINEER DATE

APPROVED:
Harbert B. Zakeish 1/24/78
ASSISTANT CHIEF, ENGINEERING DATE

No	REVISION	APPROVED BY	DATE
1	Supersedes DT 300 approved 11/18/71.	H.F.	1/24/78
2	Delete Type A Markers from Bike Route Delineation.	H.F.	10/15/79
3	Added General Note 3. Revised left edge stripe.	H.F.	9-28-83

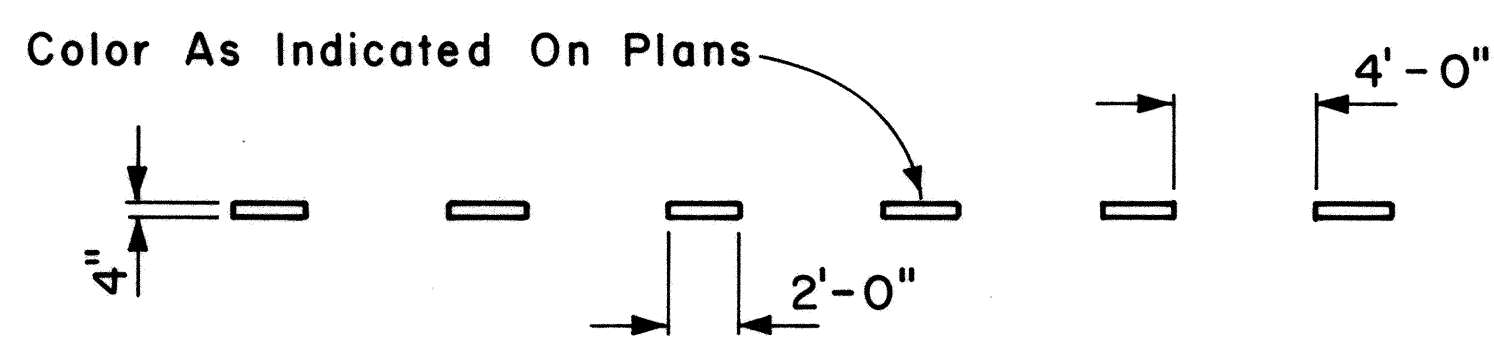
STATE OF HAWAII
DEPARTMENT OF TRANSPORTATION
HIGHWAYS DIVISION

STANDARD DETAILS
RAISED PAVEMENT MARKERS
AND STRIPING

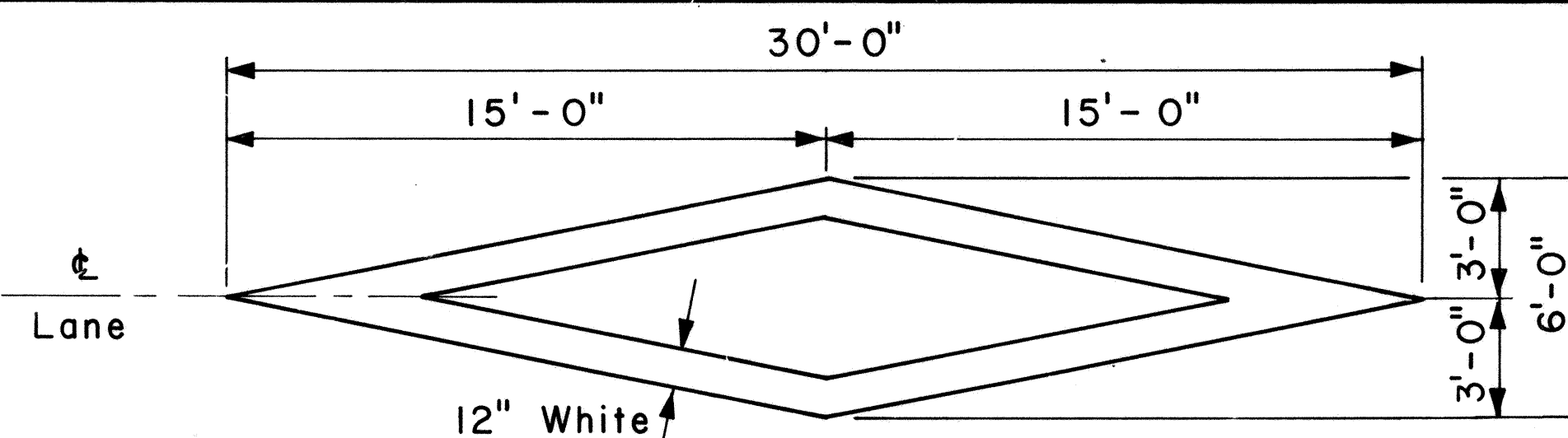
Not to Scale July 1978
SHEET No. 7 OF 9 SHEETS DT 300

DATE
SURVEY PLOTTED BY
DESIGNED BY
NOTED BY
CHECKED BY

FED. ROAD DIST. NO.	STATE	PROJ. NO.	FISCAL YEAR	SHEET NO.	TOTAL SHEETS
HAWAII	HAW.	92A-01-85M	1985	20	30



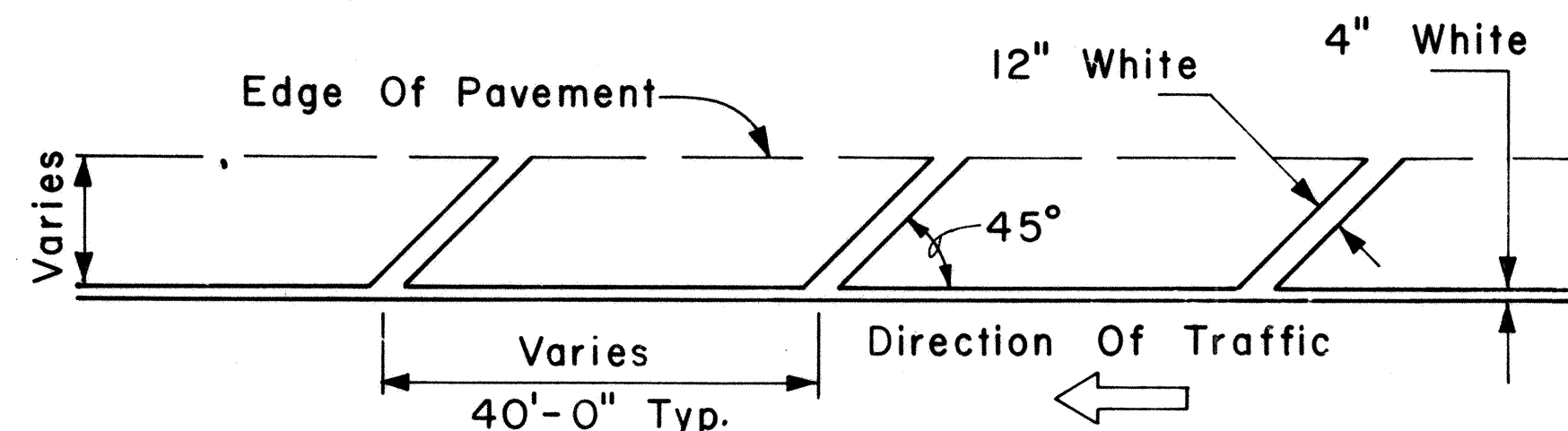
4" GUIDE LINE



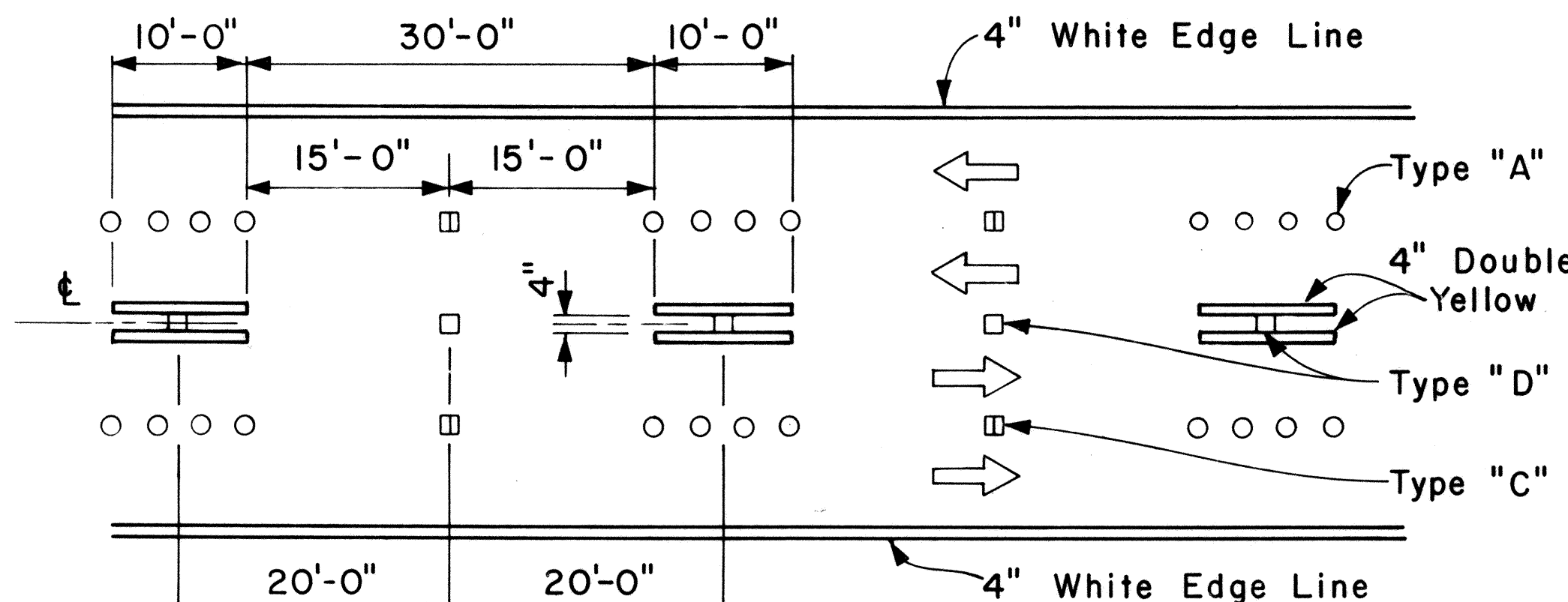
PAVEMENT DIAMOND

GENERAL NOTES:

1. Pavement marking and striping shall conform to the latest edition of the "Manual on Uniform Traffic Control Devices for Streets and Highways," by the FHWA, and as amended.
2. Layout of pavement markings and striping shall be done by the Contractor. The Contractor shall check layout of markings and striping with the Engineer prior to performing work.
3. For additional pavement marking details, see sheet DT 300.

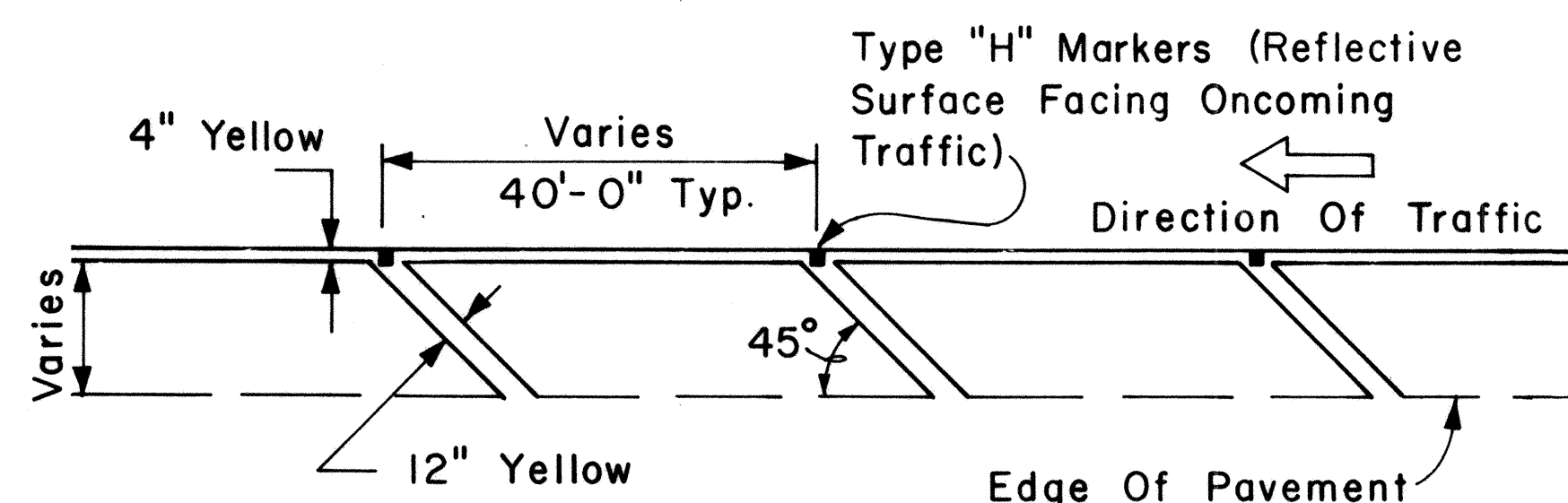


TRANSVERSE RIGHT SHOULDER MARKING

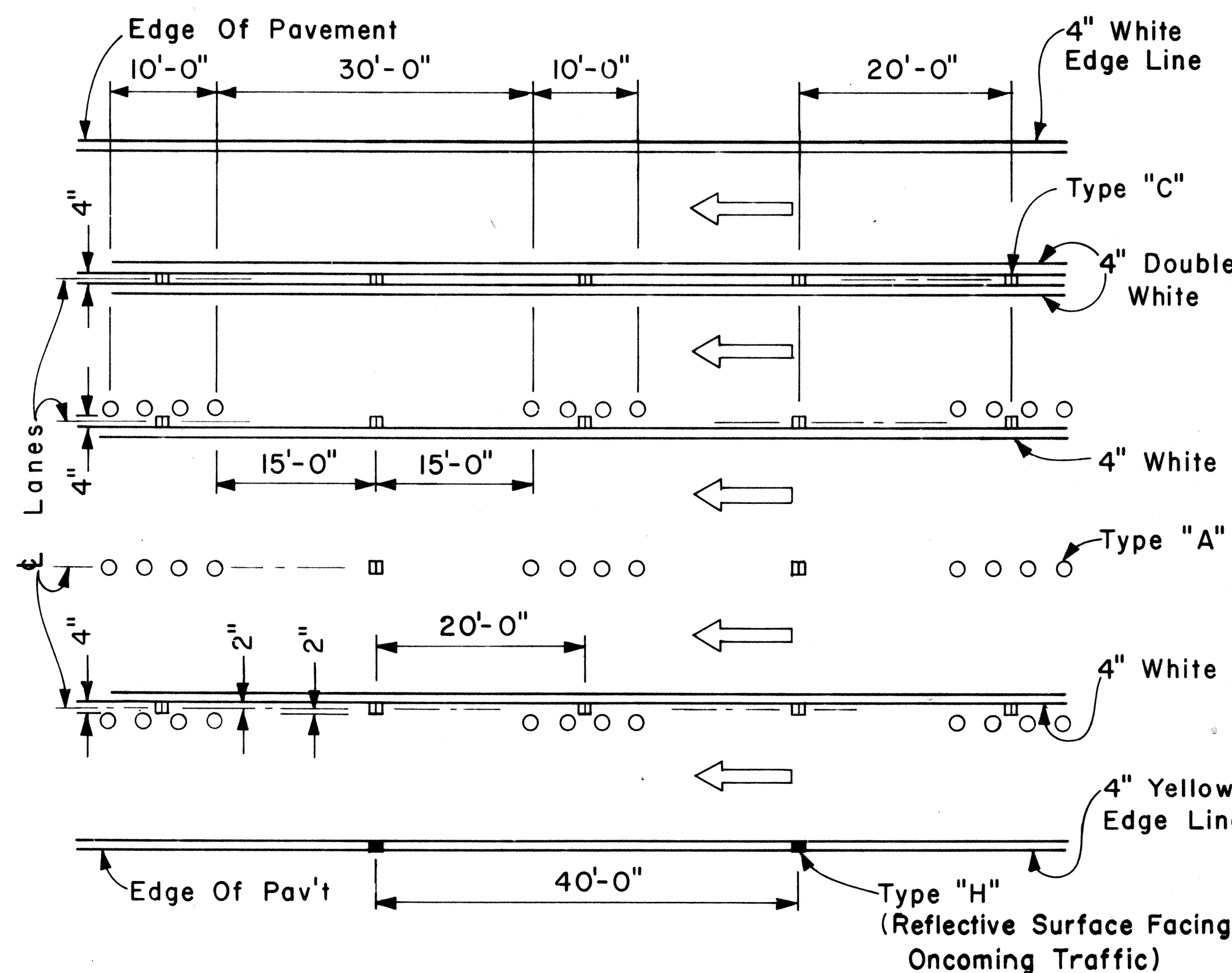


NOTE: Traffic Cone Usage Required.

MULTI-LANE REVERSIBLE LANES



TRANSVERSE LEFT SHOULDER MARKING



MULTI-LANE LANE CHANGE RESTRICTION ZONES

APPROVAL RECOMMENDED:
E. Ikuo Tanaka 5/2/78
 TRAFFIC ENGINEER DATE

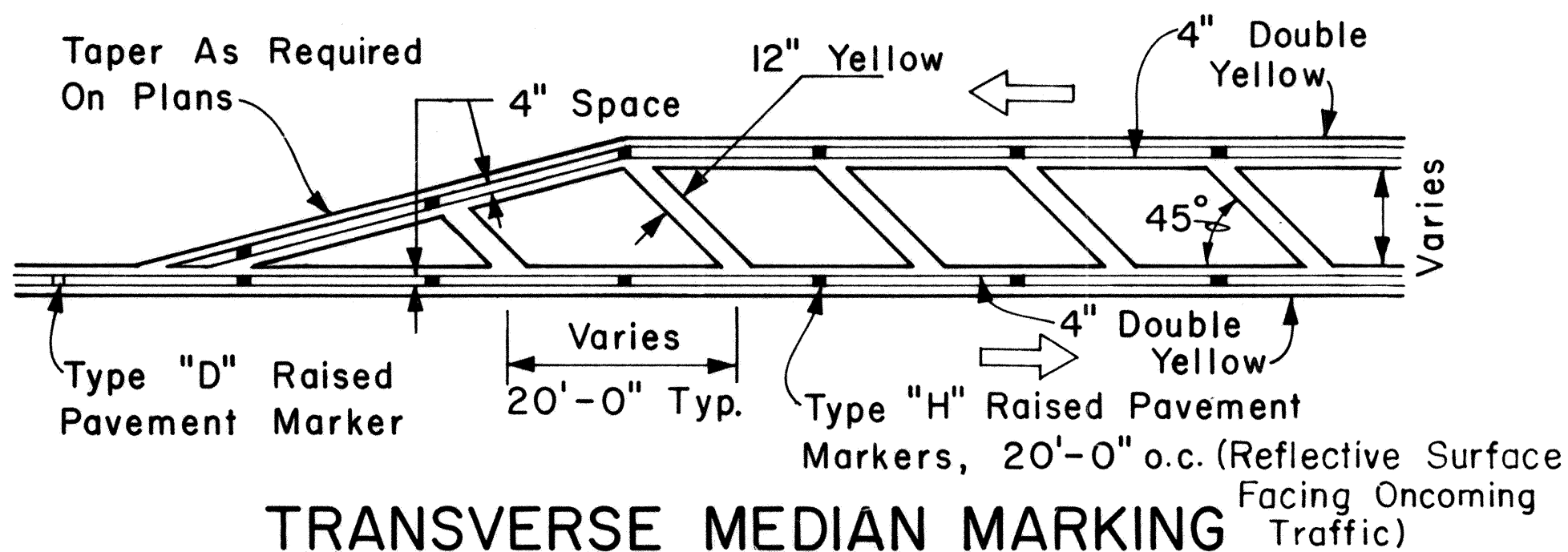
APPROVED:
Robert Z. Zakeishi 5/3/78
 ASSISTANT CHIEF, ENGINEERING DATE

NO.	REVISION	APPROVED BY	DATE

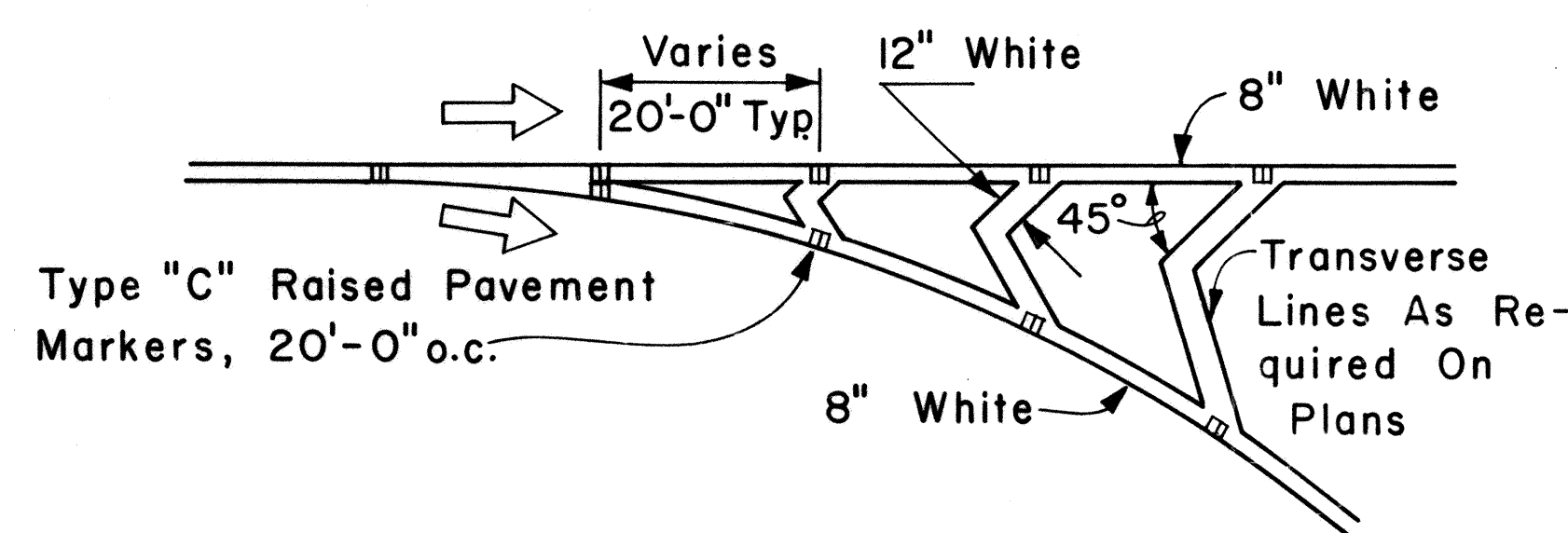
STATE OF HAWAII
 DEPARTMENT OF TRANSPORTATION
 LAND TRANSPORTATION FACILITIES DIVISION
STANDARD DETAILS
 MISCELLANEOUS
 PAVEMENT MARKINGS

Scale: Not to Scale Date: April, 1978
 SHEET No. 8 OF 9 SHEETS DT 302

ORIGINAL PLAN
 SURVEY PLOTTED BY
 DRAWN BY
 DESIGNED BY
 NOTE BOOK
 QUANTITIES BY
 CHECKED BY
 No.



TRANSVERSE MEDIAN MARKING

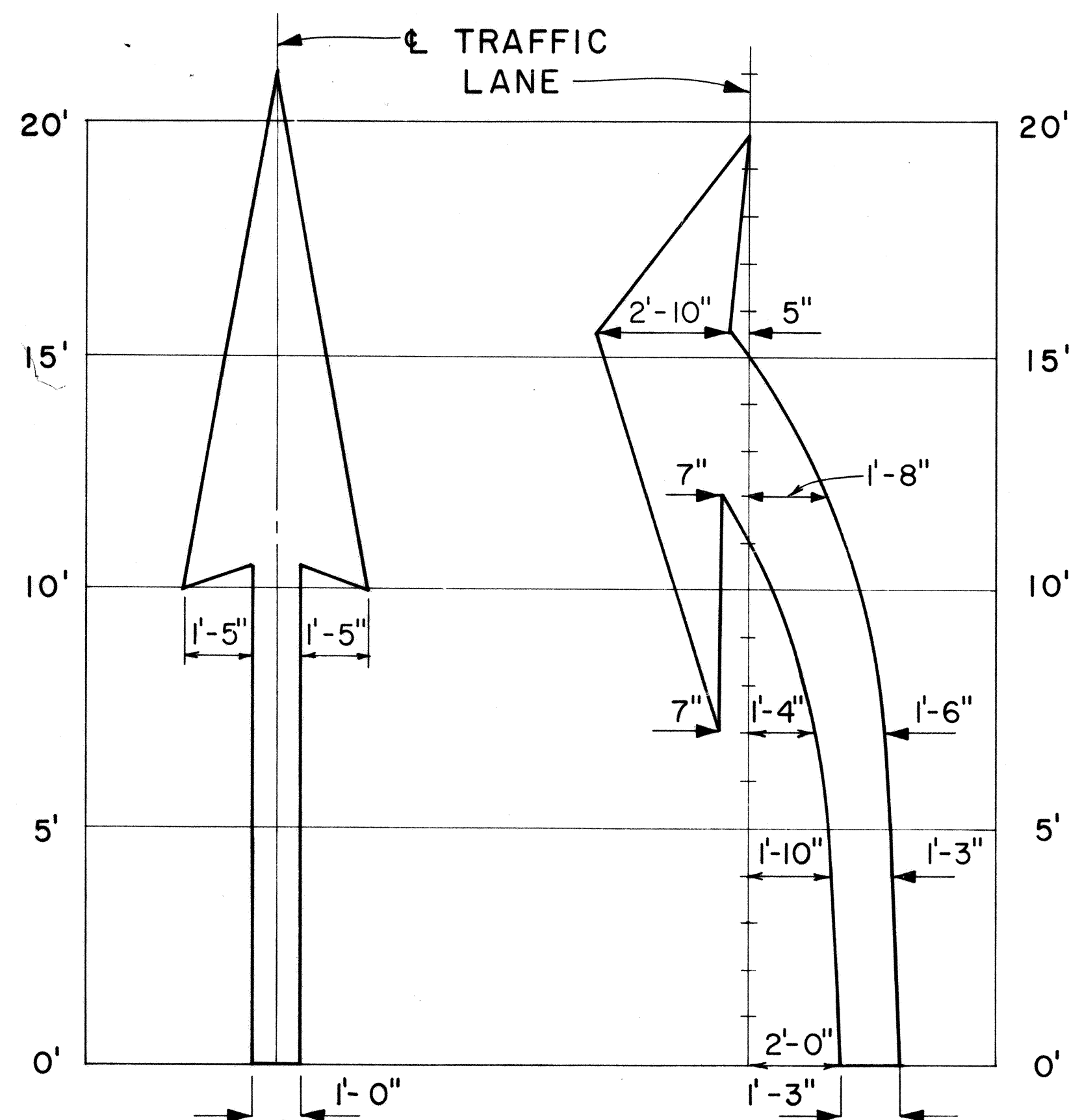


CHANNELIZING ISLAND

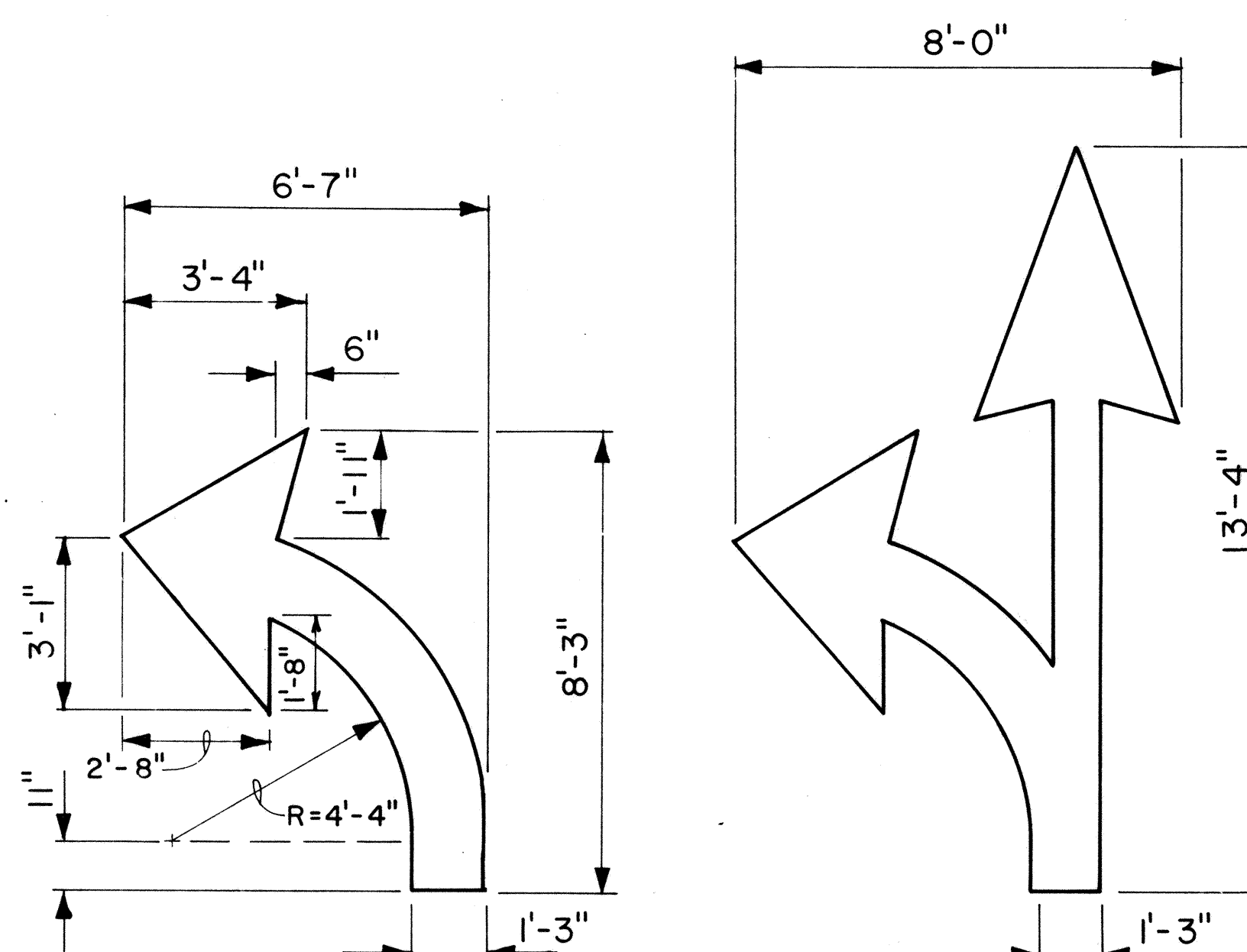
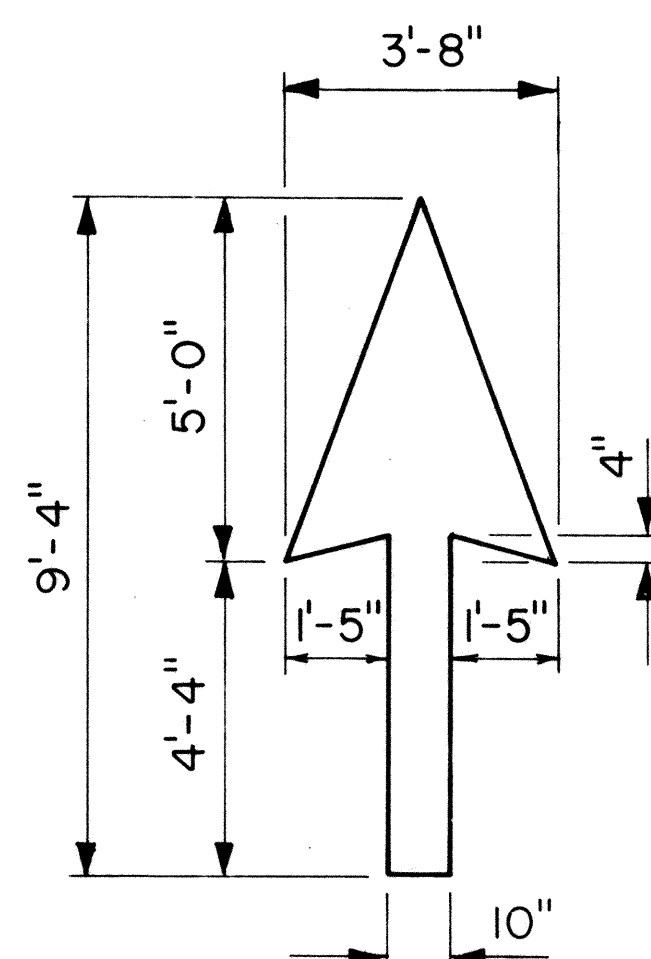
FED. ROAD DIST. NO.	STATE	PROJ. NO.	FISCAL YEAR	SHEET NO.	TOTAL SHEETS
HAWAII	HAW.	03A-01-85M	1985	30	30

GENERAL NOTES:

1. Pavement marking and striping shall conform to the latest edition of the "Manual on Uniform Traffic Control Devices for Streets and Highways," by the FHWA, and as amended.
2. Layout of pavement markings and striping shall be done by the Contractor. The Contractor shall check layout of markings and striping with the Engineer prior to performing work.
3. For additional pavement marking details, see sheet DT 300.



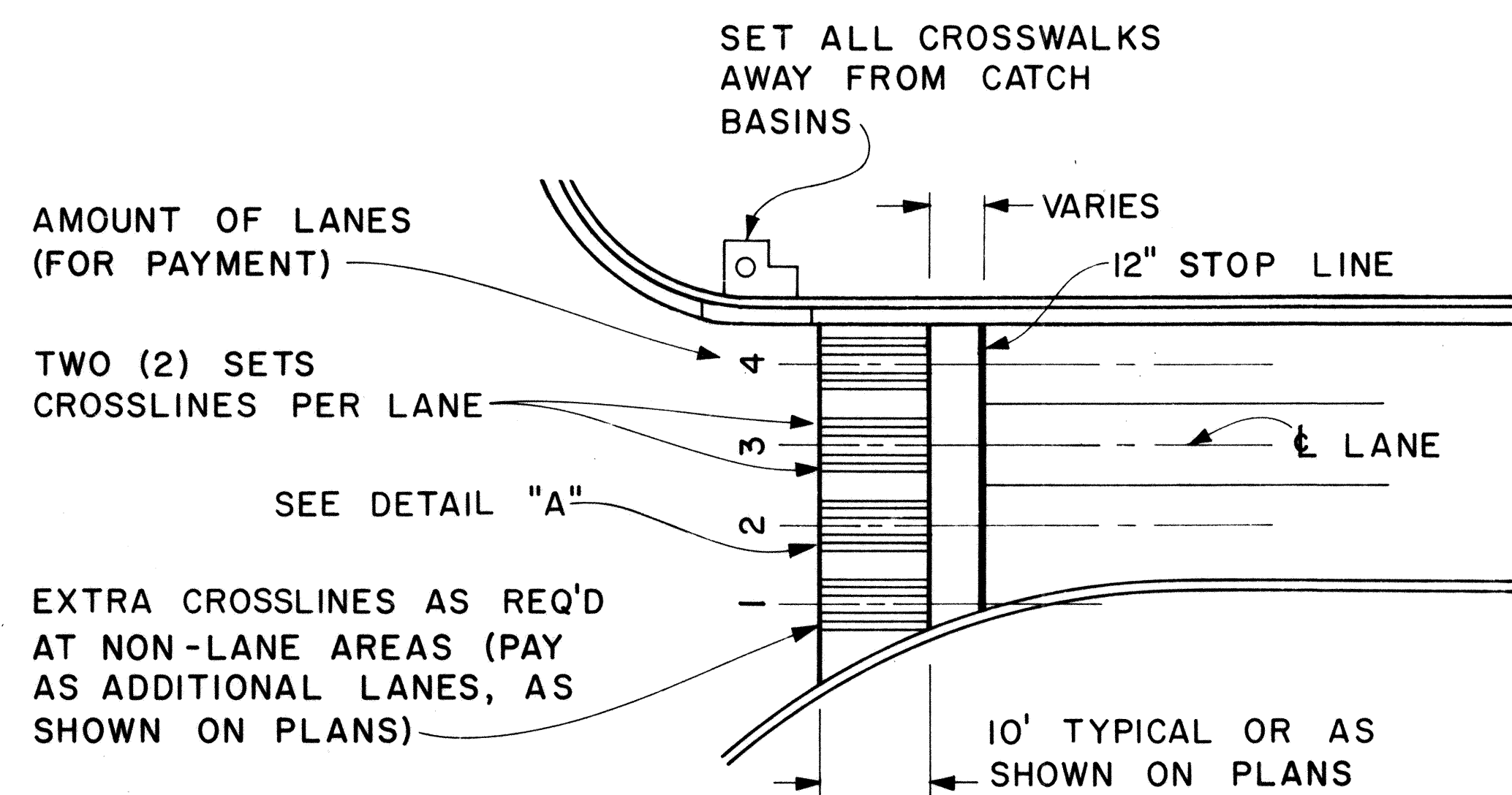
ELONGATED



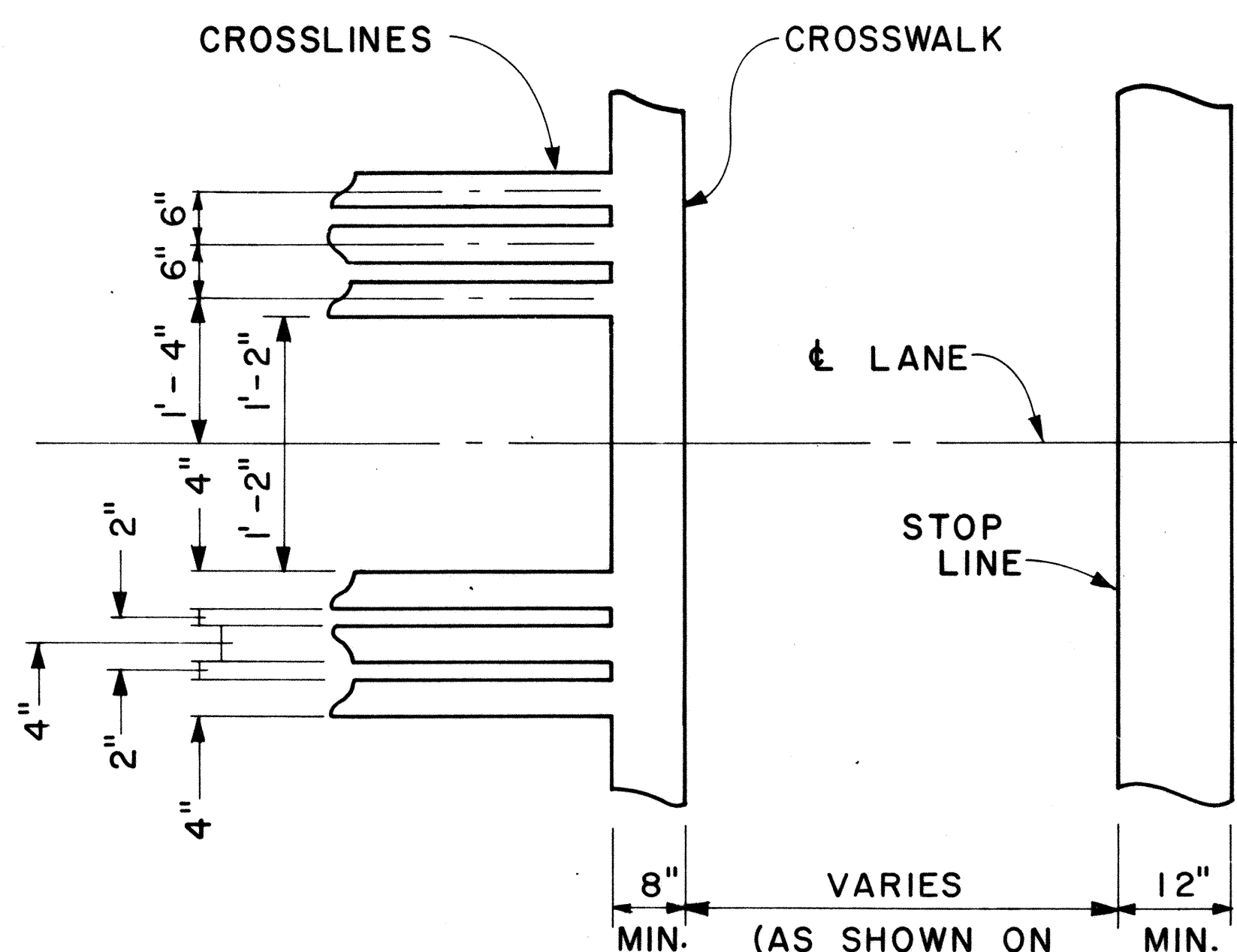
STANDARD

PAVEMENT ARROWS

Scale: 3/8" = 1'



PLAN



DETAIL "A"

CROSSWALK & STOP LINE

Scale: Not to Scale

ORIGINAL PLAN	DATE
SURVEY ELICITED BY	
DRAWN BY	
DESIGNED BY	
CHECKED BY	
NO.	

APPROVAL RECOMMENDED:
Eishi Tanaka 5/2/78
 TRAFFIC ENGINEER DATE

APPROVED:
Harbert S. Sakai 5/3/78
 ASSISTANT CHIEF, ENGINEERING DATE

NO.	REVISION	APPROVED BY	DATE

STATE OF HAWAII
 DEPARTMENT OF TRANSPORTATION
 LAND TRANSPORTATION FACILITIES DIVISION
STANDARD DETAILS
 MISCELLANEOUS
 PAVEMENT MARKINGS
 Scale: As Shown Date: March, 1978
 SHEET NO. 9 OF 9 SHEETS DT 306