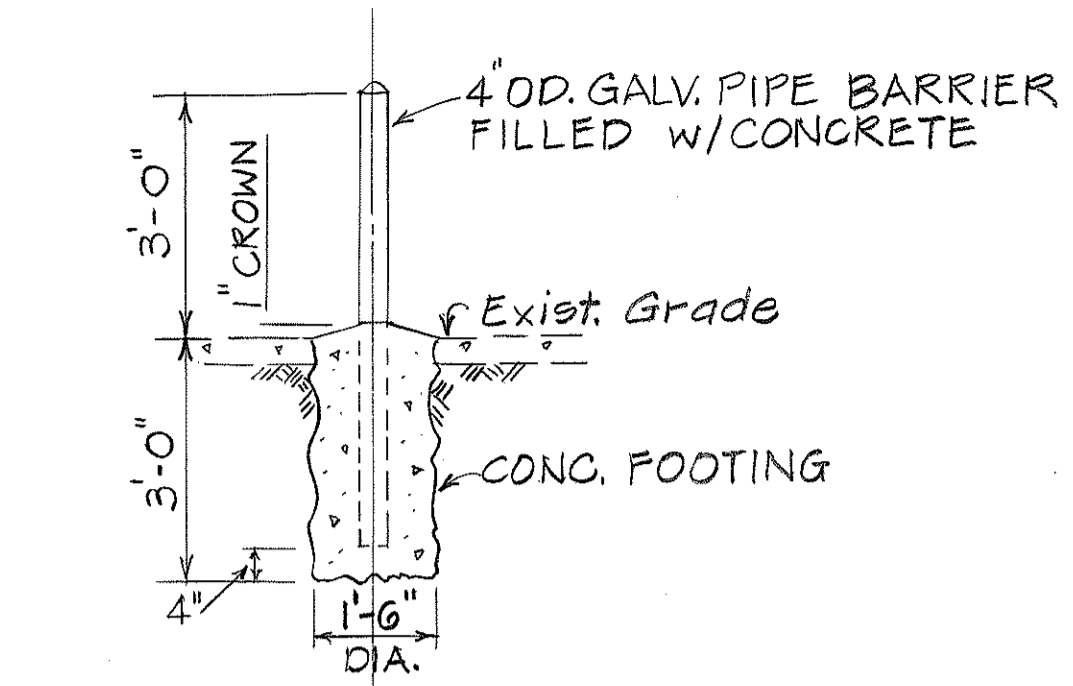
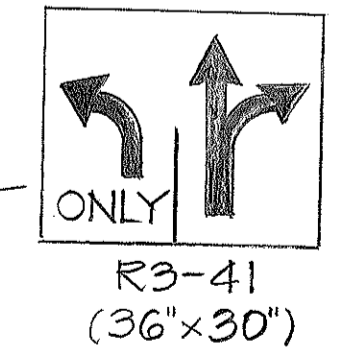
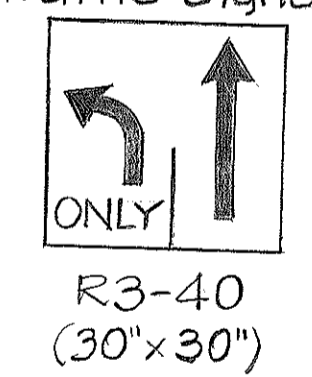
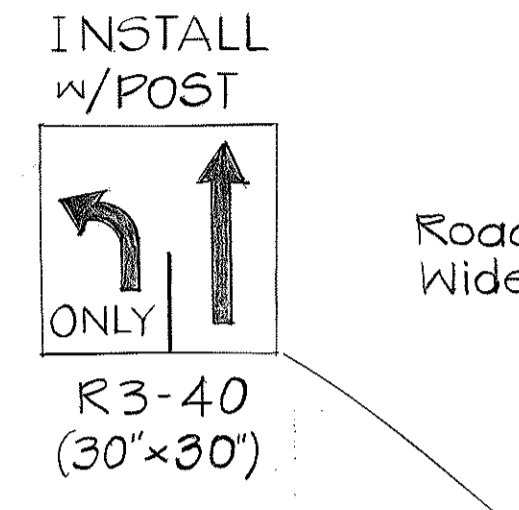
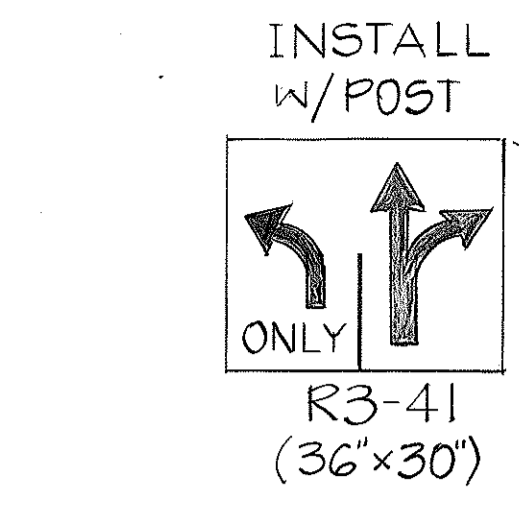


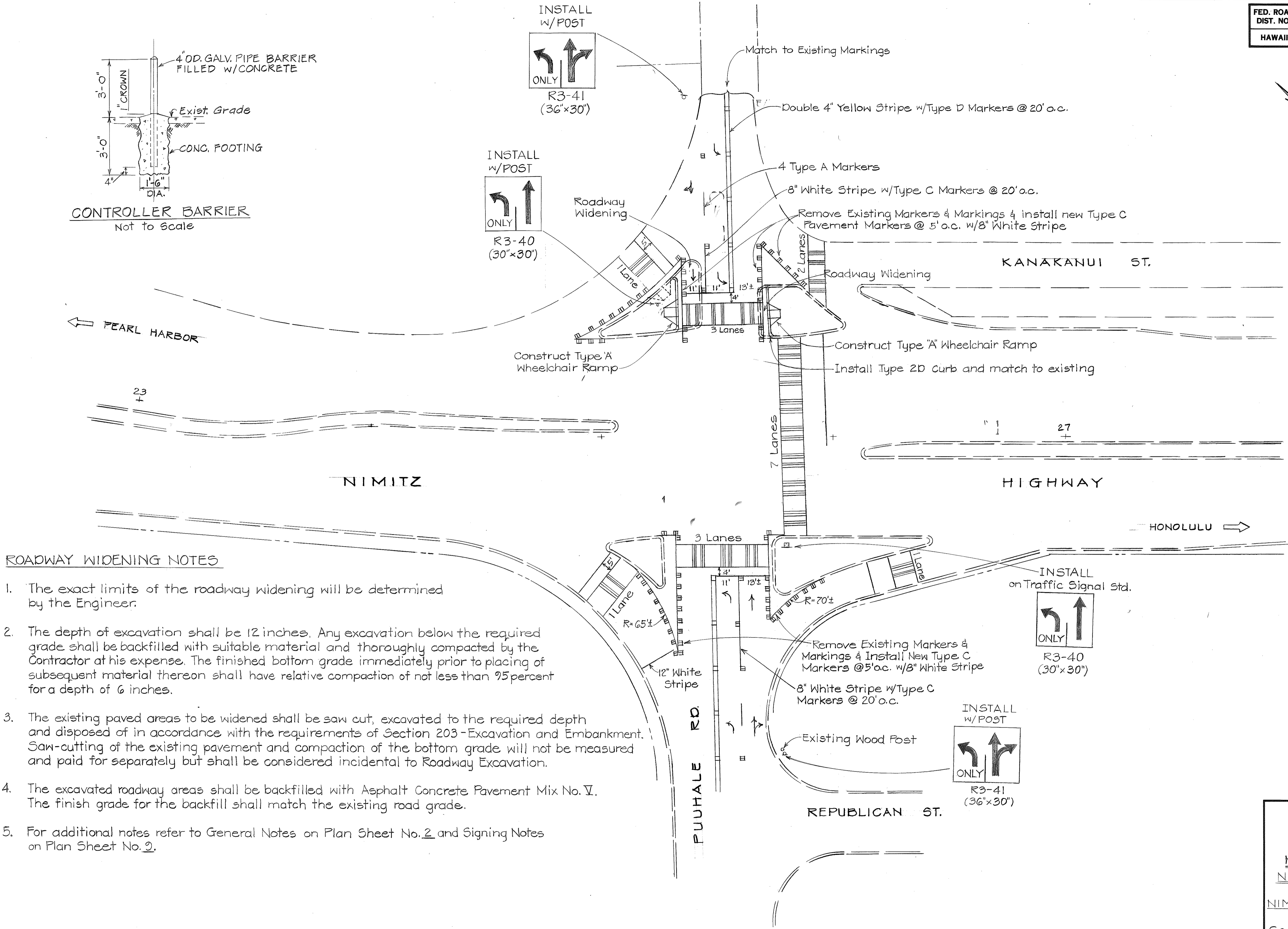
FED. ROAD DIST. NO.	STATE	PROJ. NO.	FISCAL YEAR	SHEET NO.	TOTAL SHEETS
HAWAII	HAW.	02A-01-85	1985	8	25



CONTROLLER BARRIER
Not to Scale



True North
Scale: 1" = 20'



ROADWAY WIDENING NOTES

1. The exact limits of the roadway widening will be determined by the Engineer.
2. The depth of excavation shall be 12 inches. Any excavation below the required grade shall be backfilled with suitable material and thoroughly compacted by the Contractor at his expense. The finished bottom grade immediately prior to placing of subsequent material thereon shall have relative compaction of not less than 95 percent for a depth of 6 inches.
3. The existing paved areas to be widened shall be saw cut, excavated to the required depth and disposed of in accordance with the requirements of Section 203-Excavation and Embankment. Saw-cutting of the existing pavement and compaction of the bottom grade will not be measured and paid for separately but shall be considered incidental to Roadway Excavation.
4. The excavated roadway areas shall be backfilled with Asphalt Concrete Pavement Mix No. V. The finish grade for the backfill shall match the existing road grade.
5. For additional notes refer to General Notes on Plan Sheet No. 2 and Signing Notes on Plan Sheet No. 2.

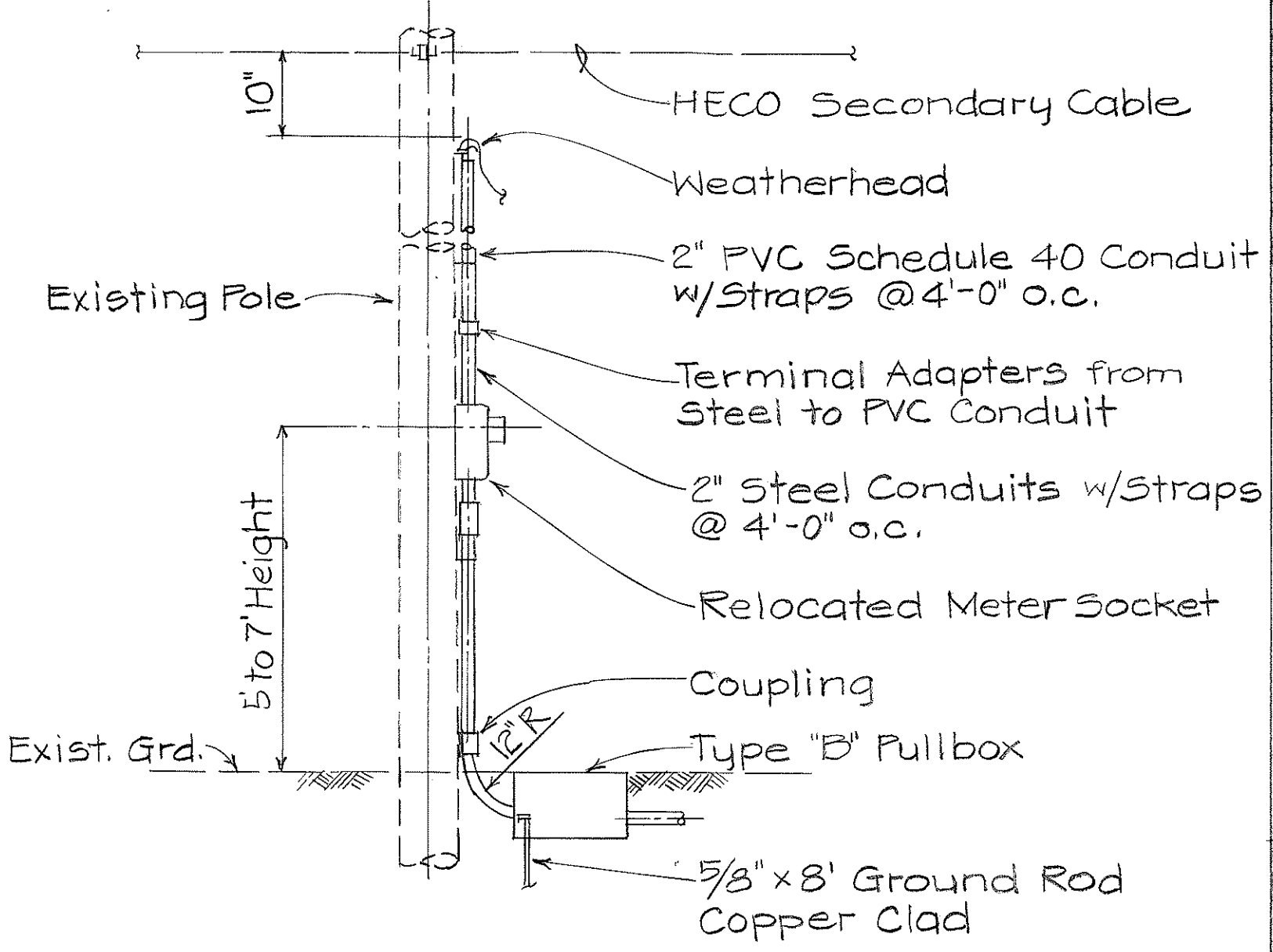
DATE	_____
SURVEY PLOTTED BY	_____
DRAWN BY	_____
DESIGNED BY	_____
QUANTITIES BY	_____
CHECKED BY	_____
ORIGINAL PLAN	_____
NOTE BOOK	_____
No.	_____

STATE OF HAWAII
DEPARTMENT OF TRANSPORTATION
HIGHWAYS DIVISION

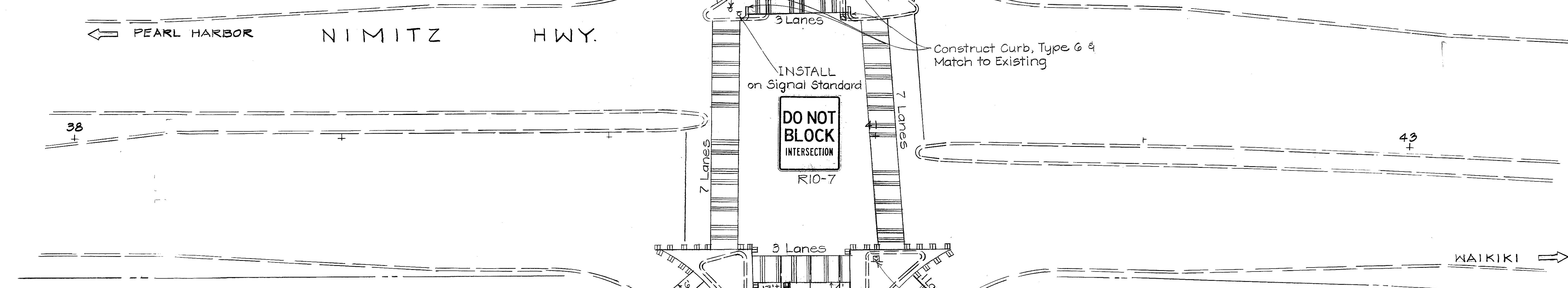
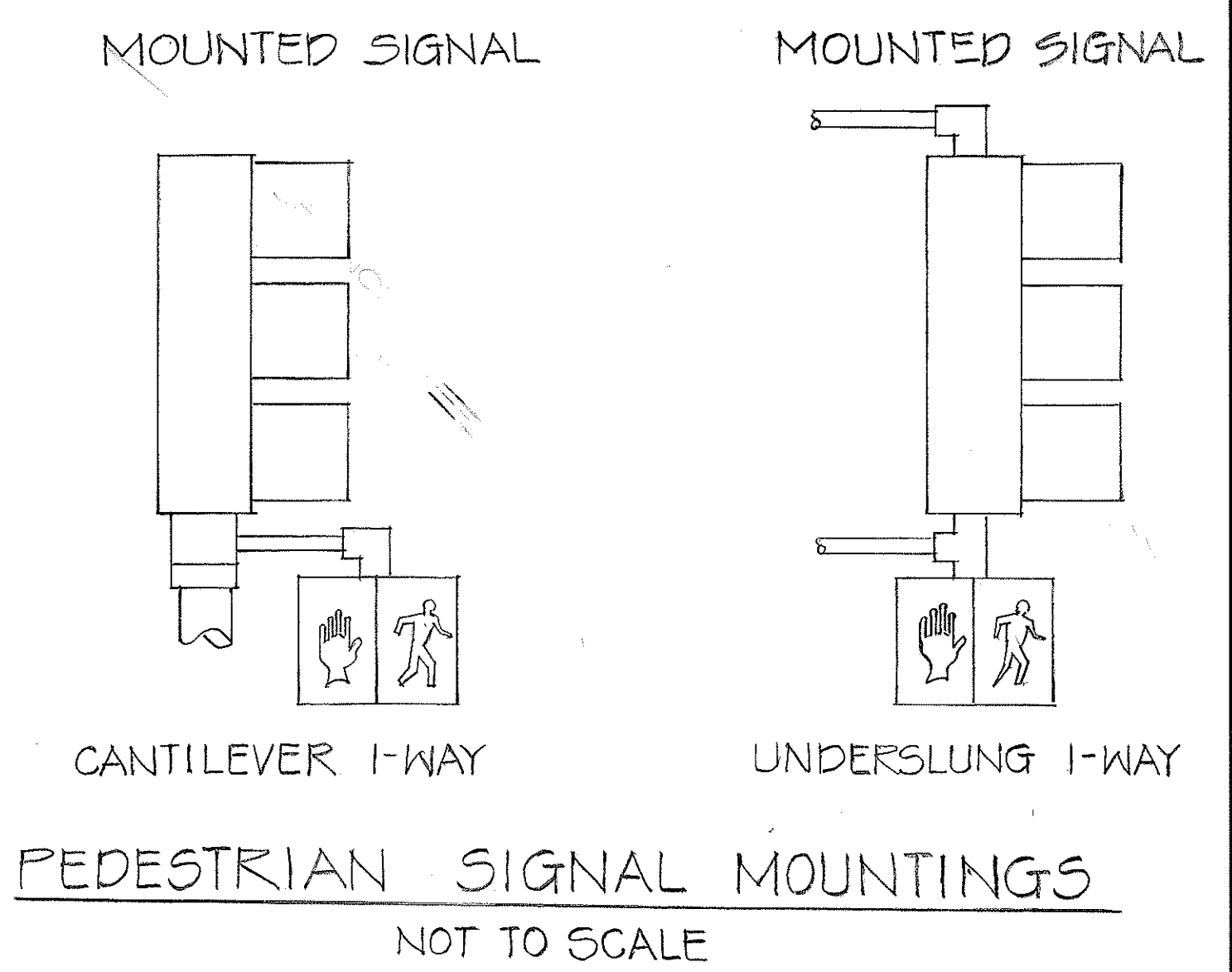
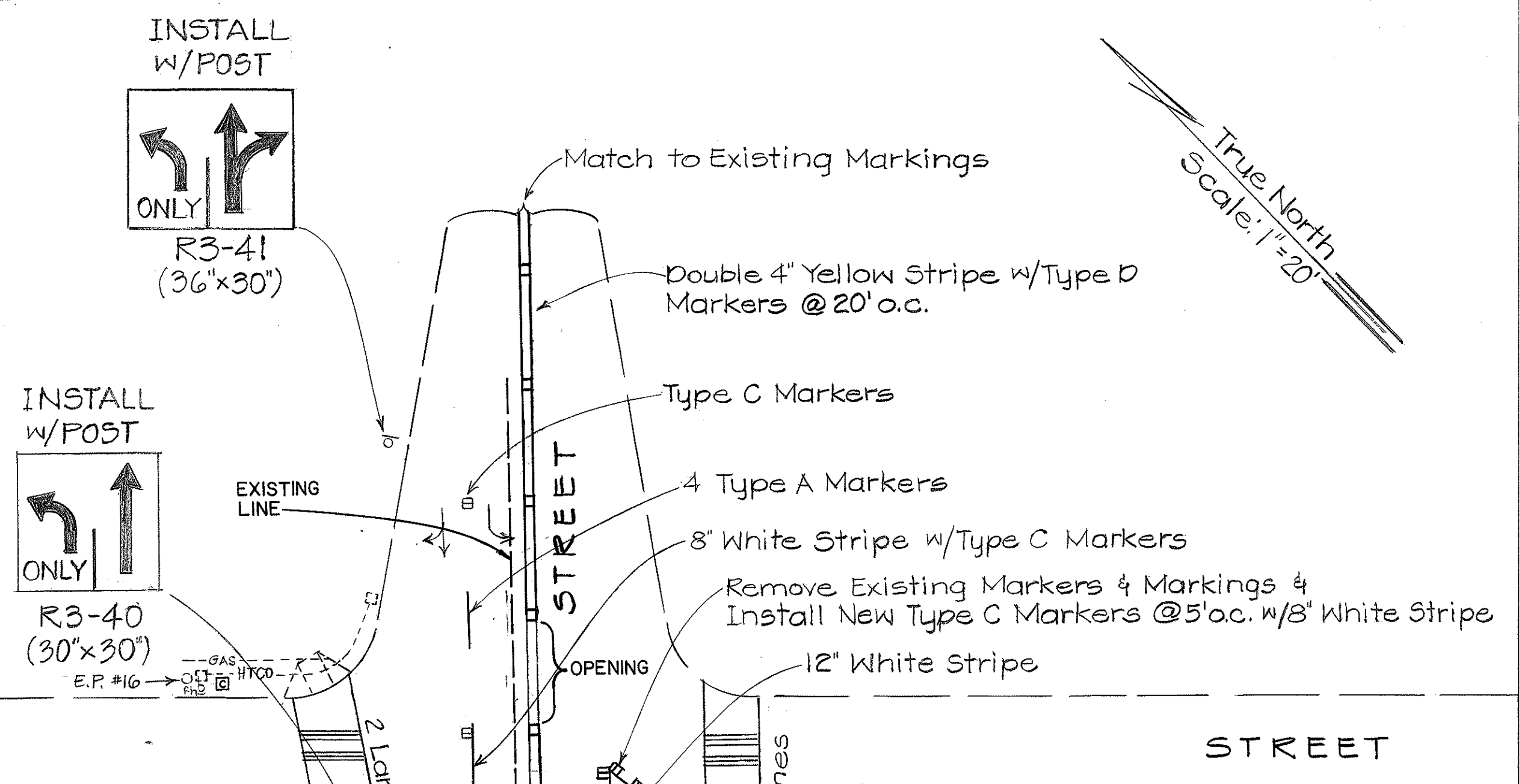
SIGNING, MARKING & MISCELLANEOUS DETAILS
NIMITZ HIGHWAY - PUUHALE RD.

NIMITZ HWY. TRAFFIC SIGNAL IMPVTS.
PROJECT NO. 02A-01-85
Scale: 1" = 20' Date: April 1985
SHEET No. VI OF 2 SHEETS

FED. ROAD DIST. NO.	STATE	PROJ. NO.	FISCAL YEAR	SHEET NO.	TOTAL SHEETS
HAWAII	HAW.	02A-01-85	1985	9	25



SERVICE POLE DETAIL
N.T.S.



NOTES

1. Signs shall conform to plans & specifications for Regulatory Signs.
2. Signs R3-40 & R3-41 are variations of Sign R3-8. Plate & Arrow details shall conform to Sign R3-8.
3. References:
"Manual on Uniform Traffic Control Devices for Streets & Highways", FHWA
"Standard Highway Sign", FHWA
4. Existing signs not shown on these plans shall remain as posted unless otherwise directed by the Engineer.
5. Final locations of all signs and markings shall be approved by the Engineer.
6. Removal of existing signs and pavement markers and markings will not be paid for separately but shall be considered incidental to the various contract items.
7. All pavement markings and striping shall be paint.
8. For additional notes refer to General Notes on Plan Sht. No. 2 and Roadway Widening Notes on Plan Sheet No. 8.

DATE
SURVEY PLOTTED BY
DRAWN BY
DESIGNED BY
CHECKED BY
NO.

STATE OF HAWAII
DEPARTMENT OF TRANSPORTATION
HIGHWAYS DIVISION

SIGNING, MARKING & MISCELLANEOUS DETAILS
NIMITZ HIGHWAY - KALIHI ST.

NIMITZ HWY. TRAFFIC SIGNAL IMPVTS.
PROJECT NO. 02A-01-85
Scale: 1"=20' Date: April 1985
SHEET No. 02 OF 2 SHEETS