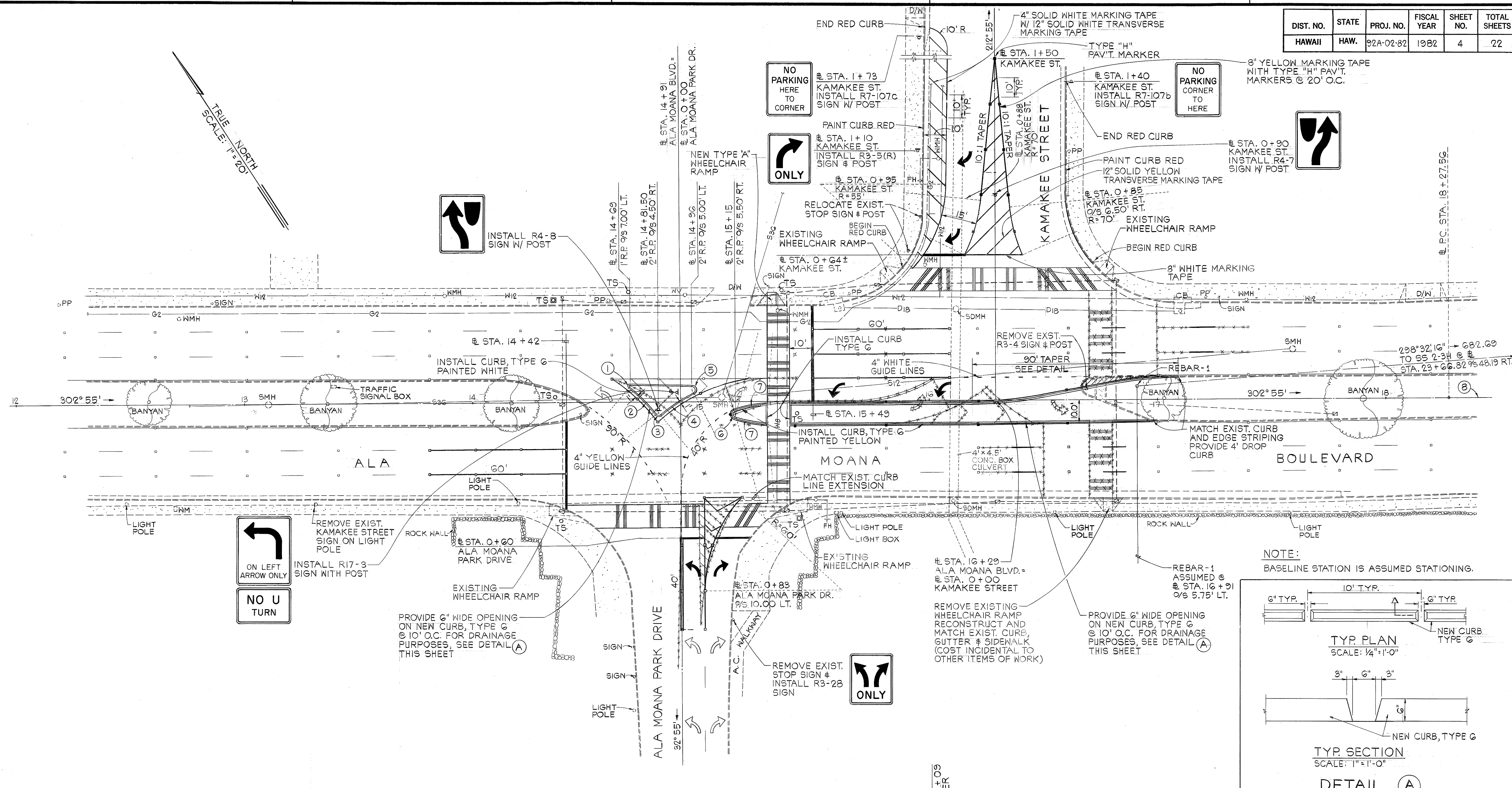
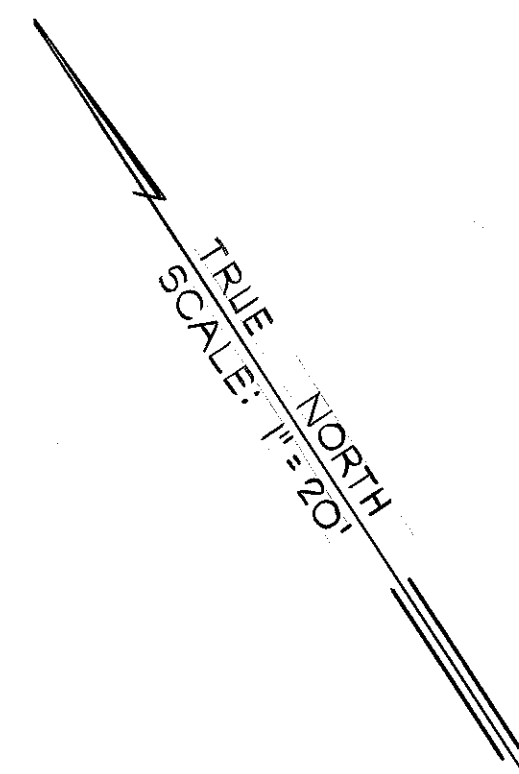
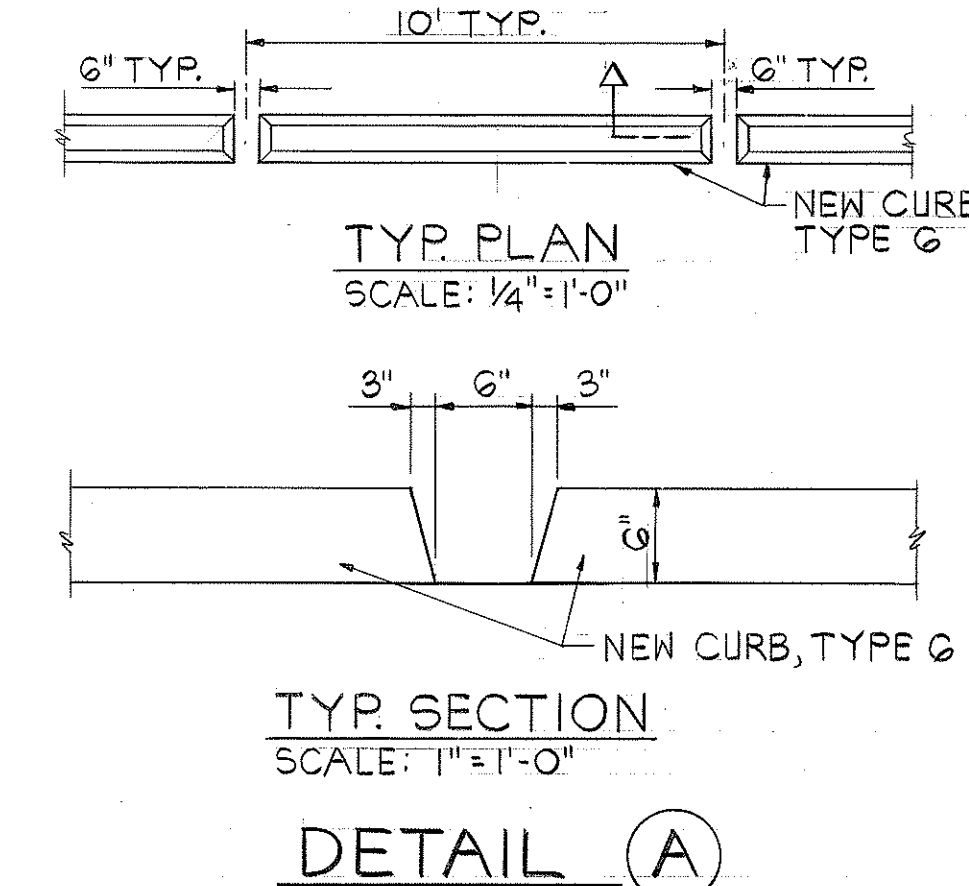


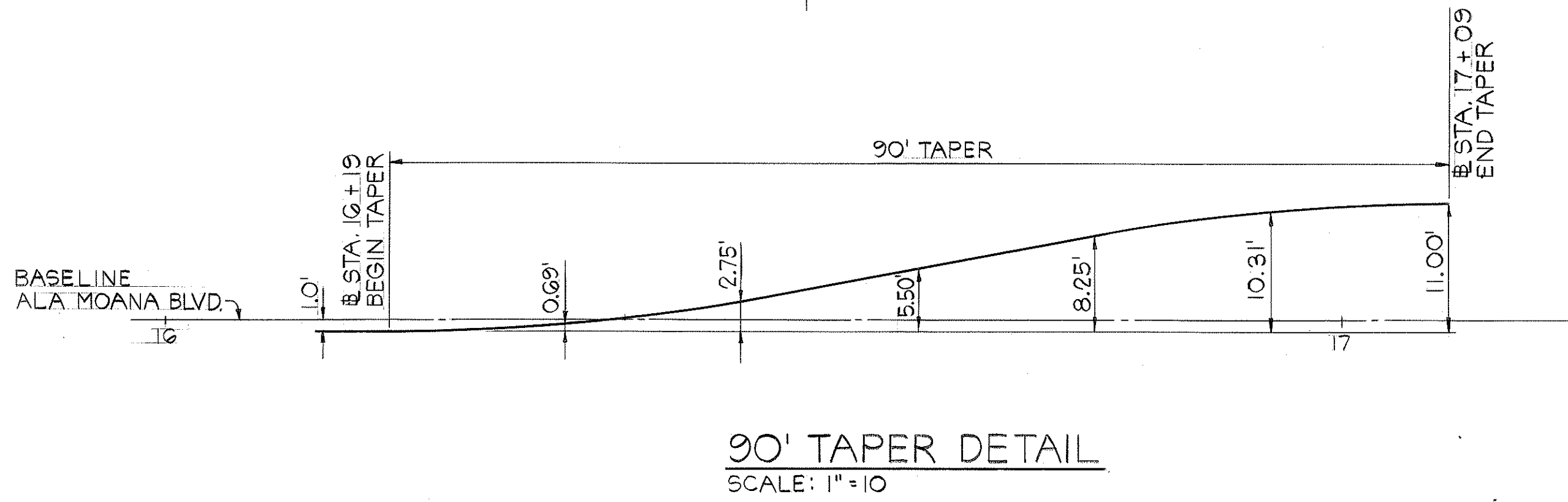
DIST. NO.	STATE	PROJ. NO.	FISCAL YEAR	SHEET NO.	TOTAL SHEETS
HAWAII	HAW.	92A-02-82	1982	4	22



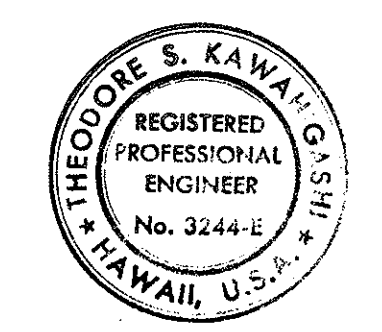
NOTE:  
BASELINE STATIONING IS ASSUMED STATIONING.



CURVE DATA						
NO.	Δ	4/2	R	T	Ch	Lc
①	142°07'16"	71°03'38"	1.00	2.91	1.89	2.48
②	11°56'31"	5°58'15.5"	80.00	8.37	16.64	16.67
③	91°14'28"	45°37'14"	2.00	2.04	2.86	3.18
④	12°08'06"	6°04'03"	80.00	8.50	16.91	16.94
⑤	150°42'53"	75°21'26.5"	2.00	7.65	3.87	5.26
⑥	117°39'43"	58°49'51.5"	2.00	3.31	3.42	4.11
⑦	12°05'14"	6°02'37"	70.00	7.41	14.74	14.77
⑧	29°33'00"	14°46'30"	1,400.63	369.41	714.39	722.37



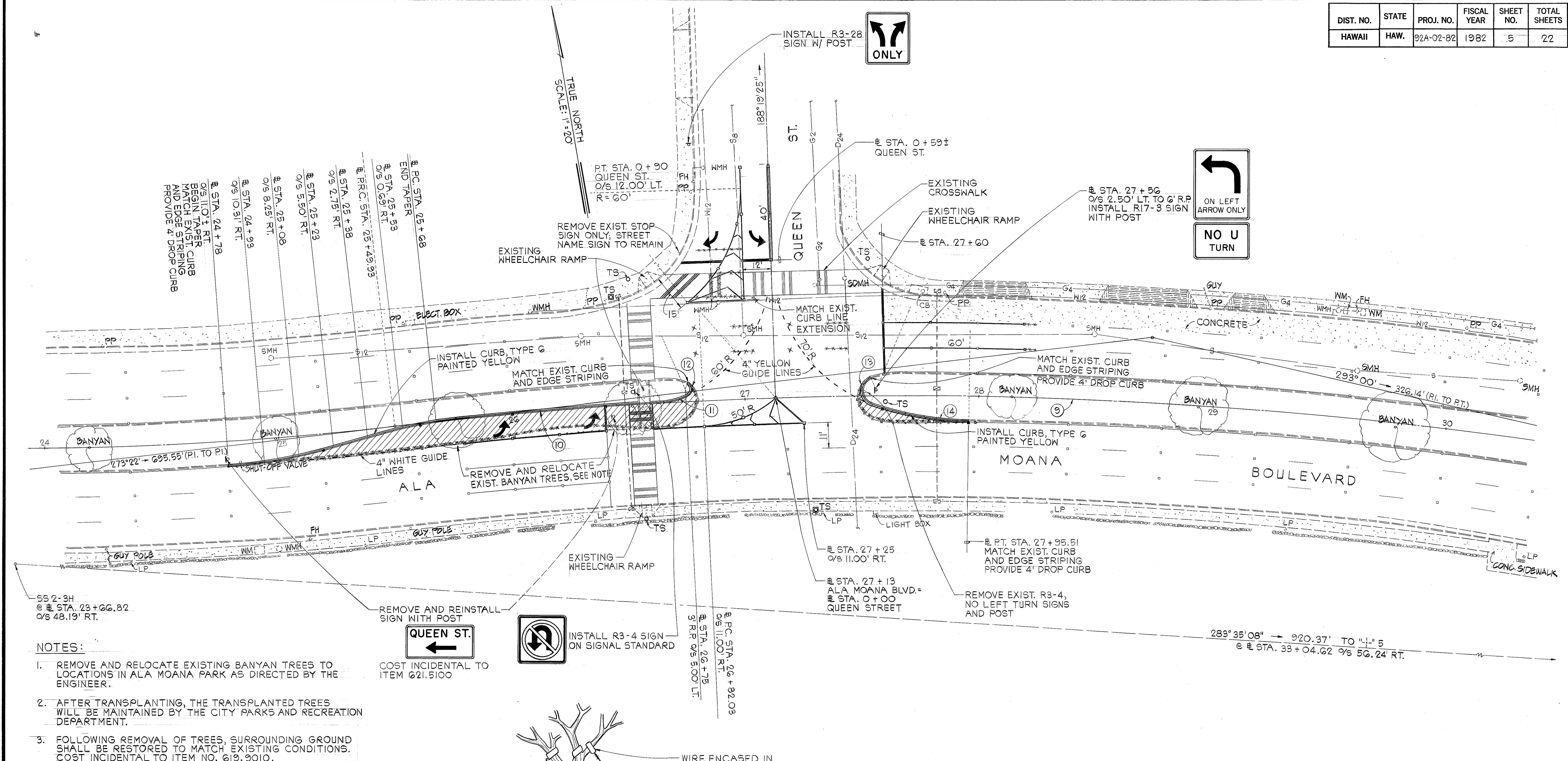
DATE: \_\_\_\_\_  
 SURVEY PLOTTED BY: \_\_\_\_\_  
 ORIGINAL PLAN: \_\_\_\_\_  
 DRAWN BY: \_\_\_\_\_  
 TRACED BY: \_\_\_\_\_  
 NOTE BOOK: \_\_\_\_\_  
 DESIGNED BY: \_\_\_\_\_  
 QUANTITIES BY: \_\_\_\_\_  
 CHECKED BY: \_\_\_\_\_  
 No. \_\_\_\_\_



THIS WORK WAS PREPARED BY ME  
OR UNDER MY SUPERVISION  
*Theodore S. Kawaharui*  
Signature

STATE OF HAWAII  
DEPARTMENT OF TRANSPORTATION  
HIGHWAYS DIVISION  
**GEOMETRICS, STRIPING  
AND SIGNING PLAN**  
(KAMAHEE STREET)  
ALA MOANA BOULEVARD  
TRAFFIC SIGNALS AT  
KAMAHEE ST. AND AT QUEEN ST.  
PROJECT NO. 92A-02-82  
SCALE: AS SHOWN DATE: 9-18-81  
SHEET NO. 1 OF 2 SHEETS

DIST. NO.	STATE	PROJ. NO.	FISCAL YEAR	SHEET NO.	TOTAL SHEETS
HAWAII	HAW.	02A-02-82	1982	5	22

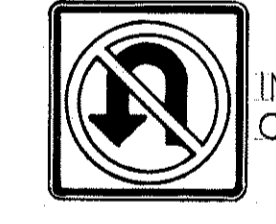


**NOTES:**

- REMOVE AND RELOCATE EXISTING BANYAN TREES TO LOCATIONS IN ALA MOANA PARK AS DIRECTED BY THE ENGINEER.
- AFTER TRANSPLANTING, THE TRANSPLANTED TREES WILL BE MAINTAINED BY THE CITY PARKS AND RECREATION DEPARTMENT.
- FOLLOWING REMOVAL OF TREES, SURROUNDING GROUND SHALL BE RESTORED TO MATCH EXISTING CONDITIONS. COST INCIDENTAL TO ITEM NO. 619.9010.

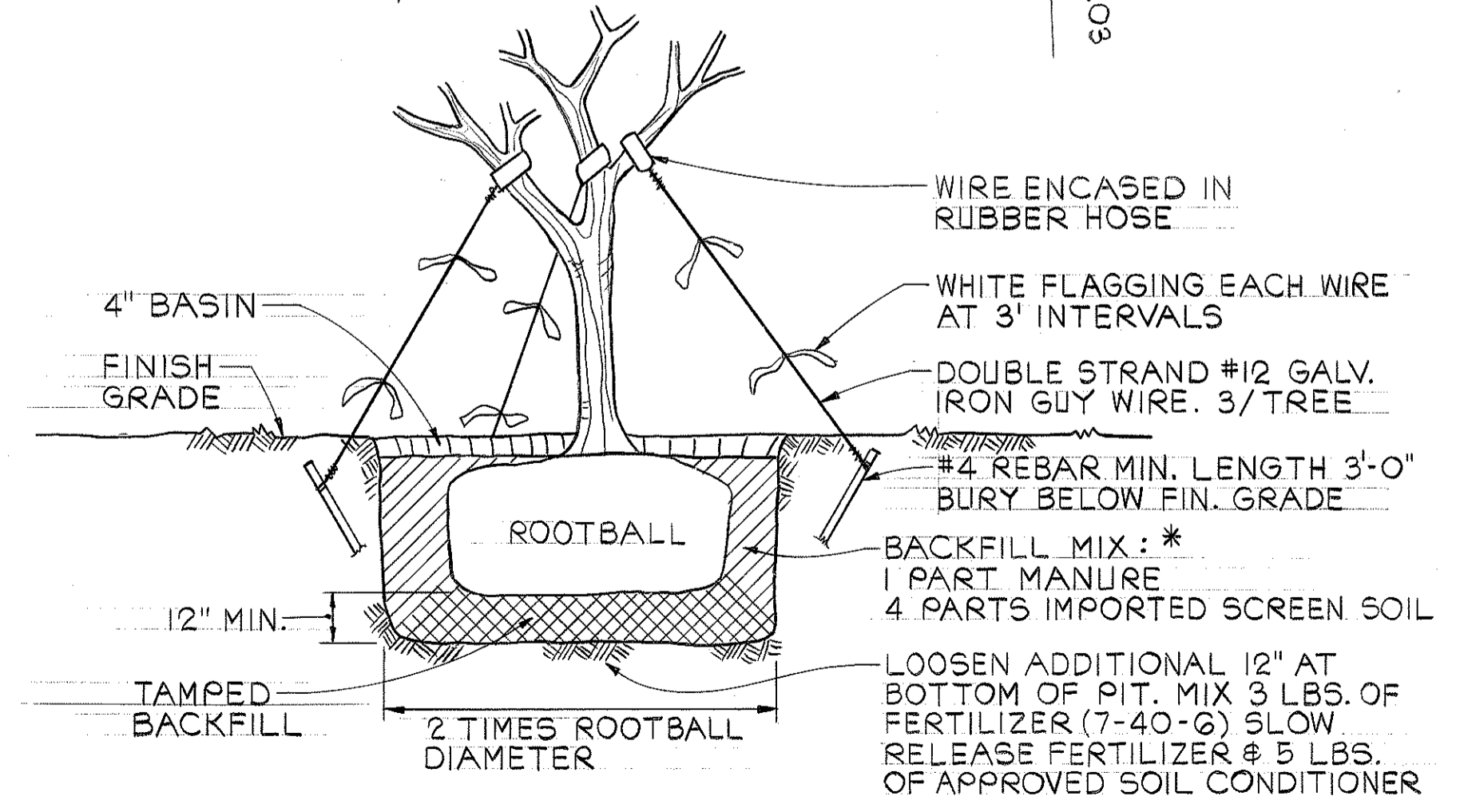


REMOVE AND REINSTALL SIGN WITH POST  
COST INCIDENTAL TO ITEM 621.5100



INSTALL R3-4 SIGN ON SIGNAL STANDARD

CURVE DATA						
NO.	Δ	Δ/2	R	T	Ch	Lc
9	19°38'00"	9°49'00"	1,884.89	326.14	642.73	645.88
10	2°38'40"	1°19'20"	1,884.89	43.51	86.99	87.00
11	22°02'19"	11°01'9.5"	30.00	5.84	11.47	11.54
12	135°37'00"	67°48'30"	3.00	7.35	5.56	7.10
13	136°00'00"	68°00'00"	6.00	14.85	11.13	14.24
14	20°18'24"	10°09'12"	120.00	21.49	42.31	42.53



**TREE PLANTING DETAIL**  
NOT TO SCALE

\* COST OF BACKFILL MIX AND FERTILIZER INCIDENTAL TO ITEM NO. 619.9010.

2/3/82	REMOVE AND RELOCATE EXISTING BANYAN TREES; ADDED NOTES AND TREE PLANTING DETAIL
DATE	REVISION



THIS WORK WAS PREPARED BY ME OR UNDER MY SUPERVISION  
*Theodore S. Kawahigashi*  
Signature

STATE OF HAWAII  
DEPARTMENT OF TRANSPORTATION  
HIGHWAYS DIVISION  
**GEOMETRICS, STRIPING AND SIGNING PLAN**  
(QUEEN STREET)  
ALA MOANA BOULEVARD  
TRAFFIC SIGNALS AT  
KAMAKEE ST. AND AT QUEEN ST.  
PROJECT NO. 02A-02-82

SCALE: AS SHOWN  
DATE: 2-18-81  
SHEET NO. 2 OF 2 SHEETS