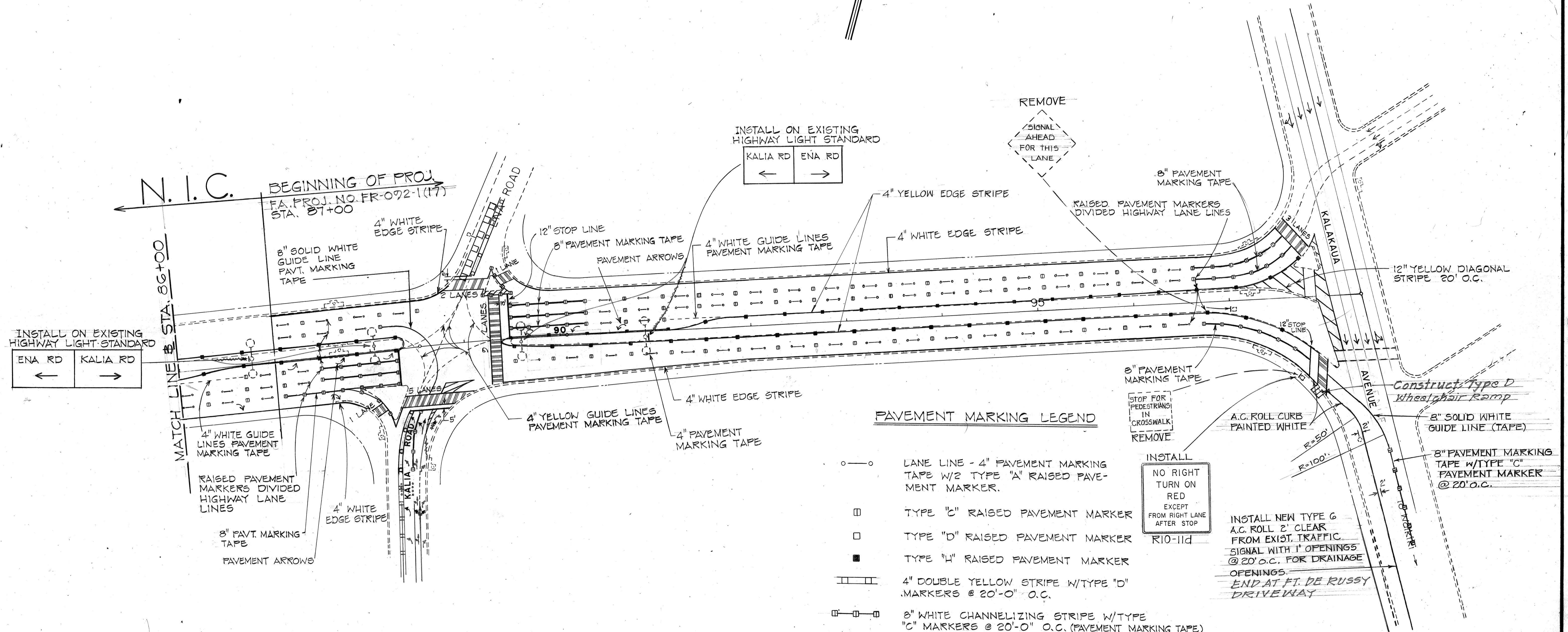
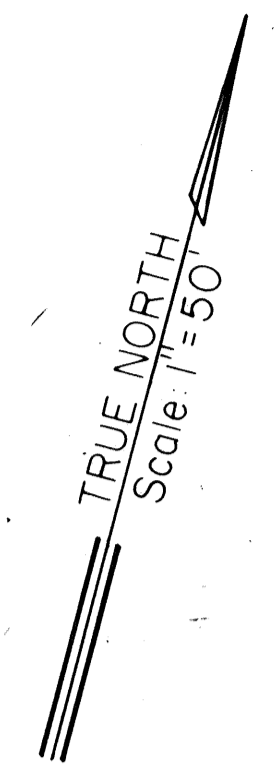
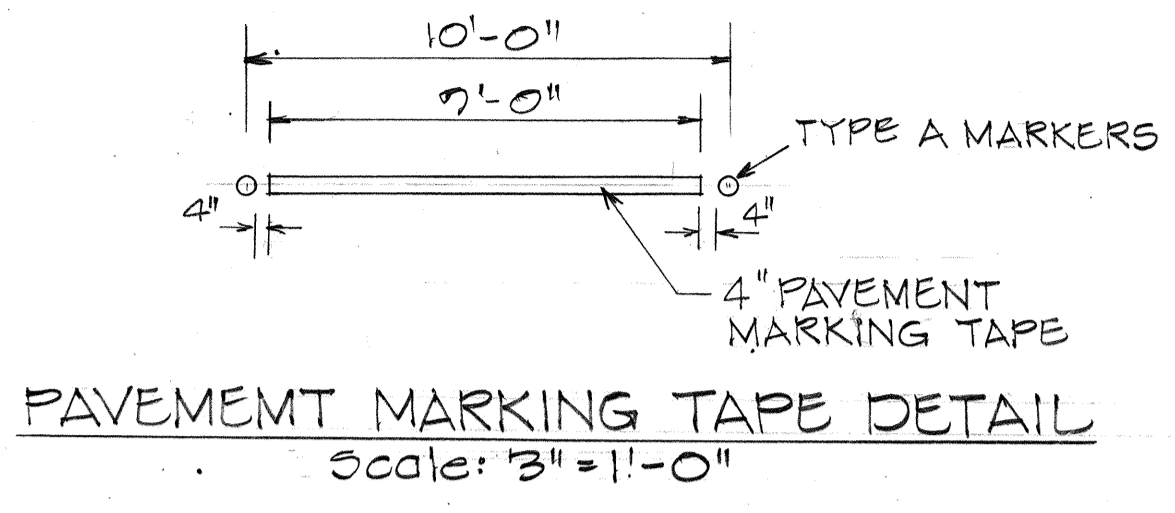


FED. ROAD DIST. NO.	STATE	FED. AID PROJ. NO.	FISCAL YEAR	SHEET NO.	TOTAL SHEETS
HAWAII	HAW.	FR-092-1(17)	1981	C.O.4	14



PAVEMENT MARKING LEGEND

- ○ LANE LINE - 4" PAVEMENT MARKING TAPE W/2 TYPE "A" RAISED PAVEMENT MARKER.
- TYPE "C" RAISED PAVEMENT MARKER
- TYPE "D" RAISED PAVEMENT MARKER
- TYPE "H" RAISED PAVEMENT MARKER
- ▬▬▬ 4" DOUBLE YELLOW STRIPE W/TYPE "D" MARKERS @ 20'-0" O.C.
- ▬▬▬ 8" WHITE CHANNELIZING STRIPE W/TYPE "C" MARKERS @ 20'-0" O.C. (PAVEMENT MARKING TAPE)
- YELLOW 4" GUIDE LINE (COLOR AS SHOWN ON PLANS)(PAVEMENT MARKING TAPE)
- WHITE 4" EDGE STRIPE (COLOR AS SHOWN ON PLANS)
- ▬▬▬ CROSSWALK AND STOPLINE (PAVEMENT MARKING TAPE)
- ↗ PAVEMENT ARROW

INSTALL
NO RIGHT TURN ON RED EXCEPT FROM RIGHT LANE AFTER STOP
R10-11d

SURVEY PLOTTED BY	DATE
DRAWN BY	
DESIGNED BY	
QUANTITIES BY	
CHECKED BY	
ORIGINAL PLAN No.	

STATE OF HAWAII
DEPARTMENT OF TRANSPORTATION
HIGHWAYS DIVISION

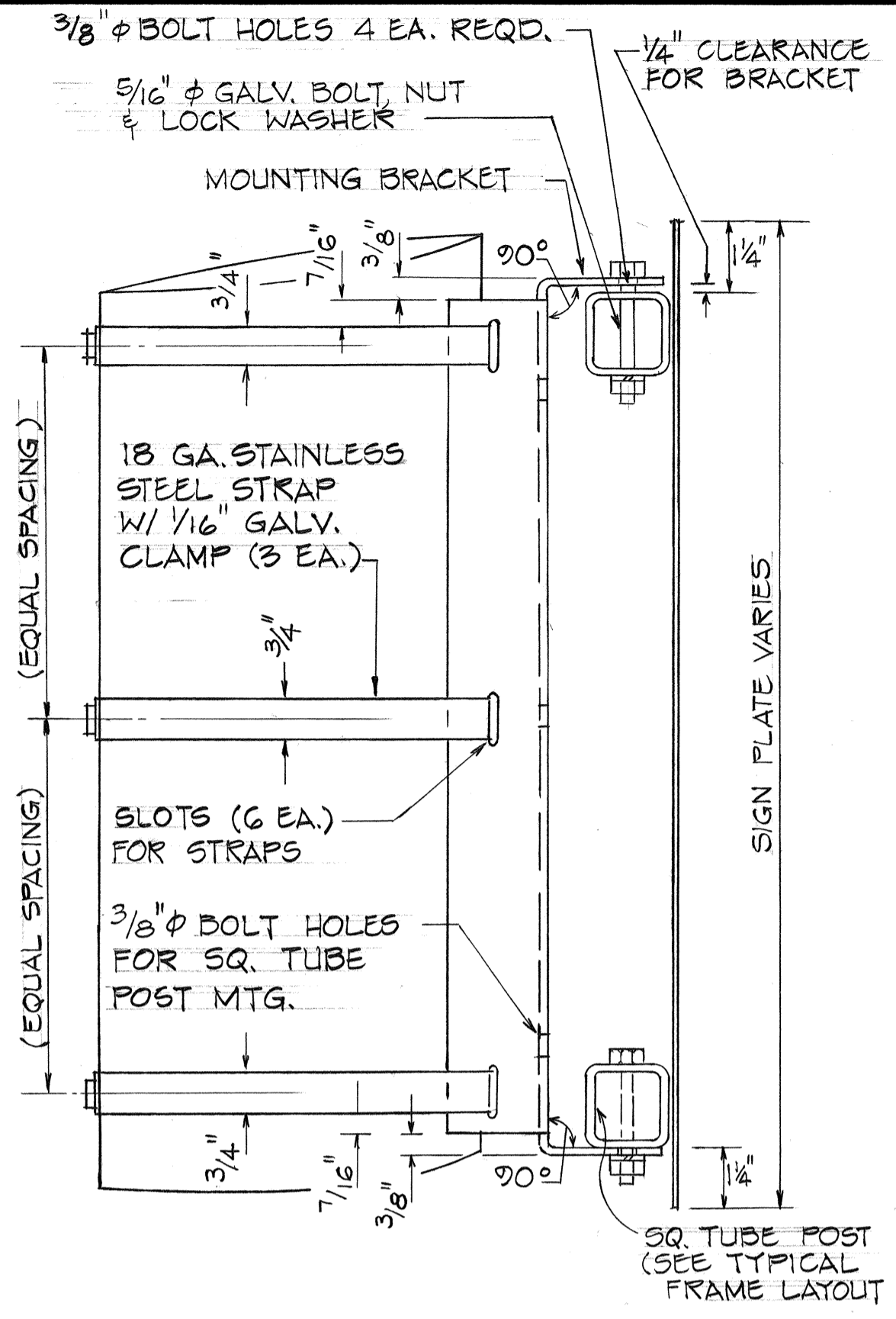
PAVEMENT MARKERS

ALA MOANA BLVD. RESURFACING
Ena Road to Kalakaua Avenue
F.A. PROJ. NO. FR-092-1(17)
Scale as noted

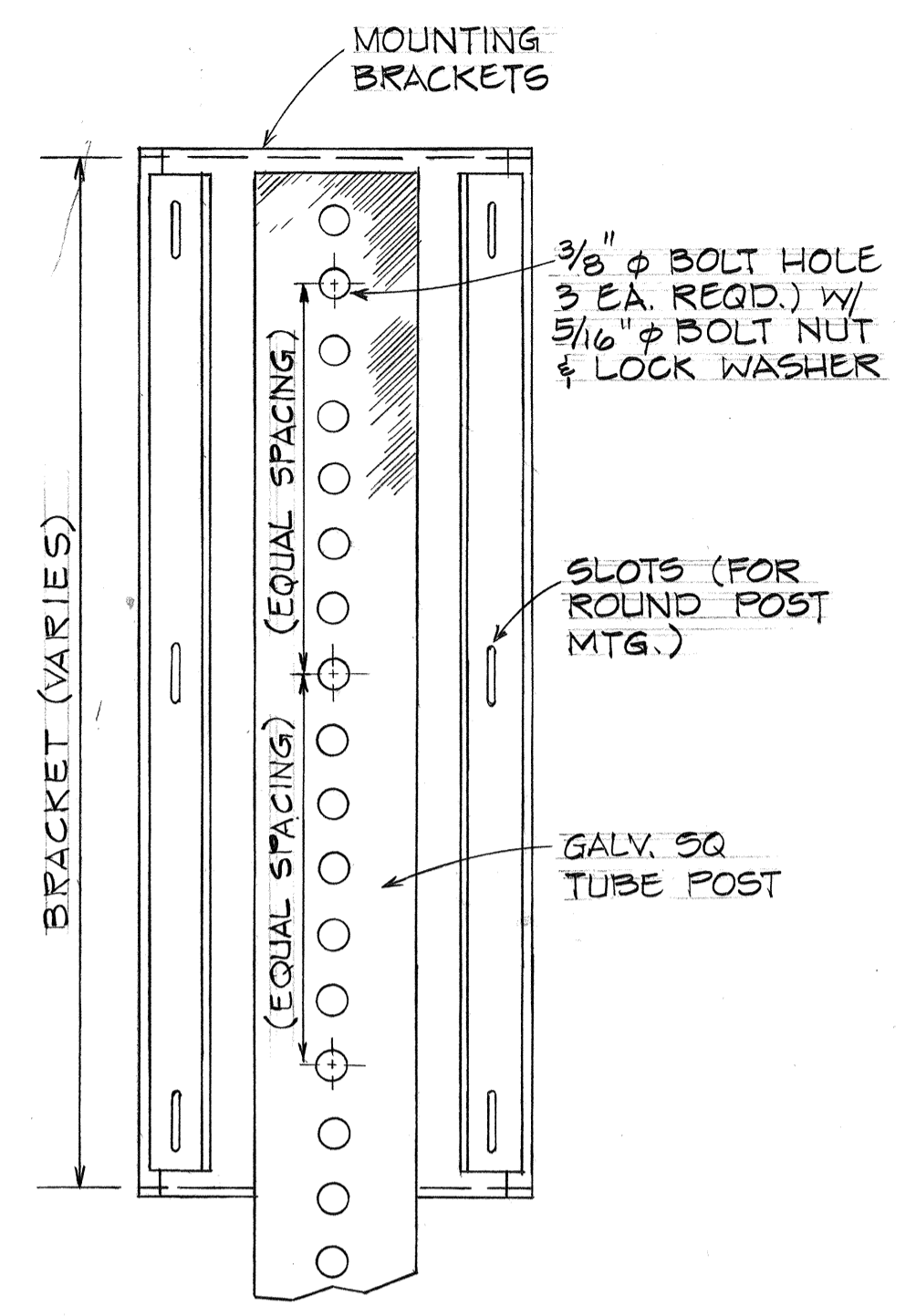
SHEET No. 4 OF 14 SHEETS

C.O. 4

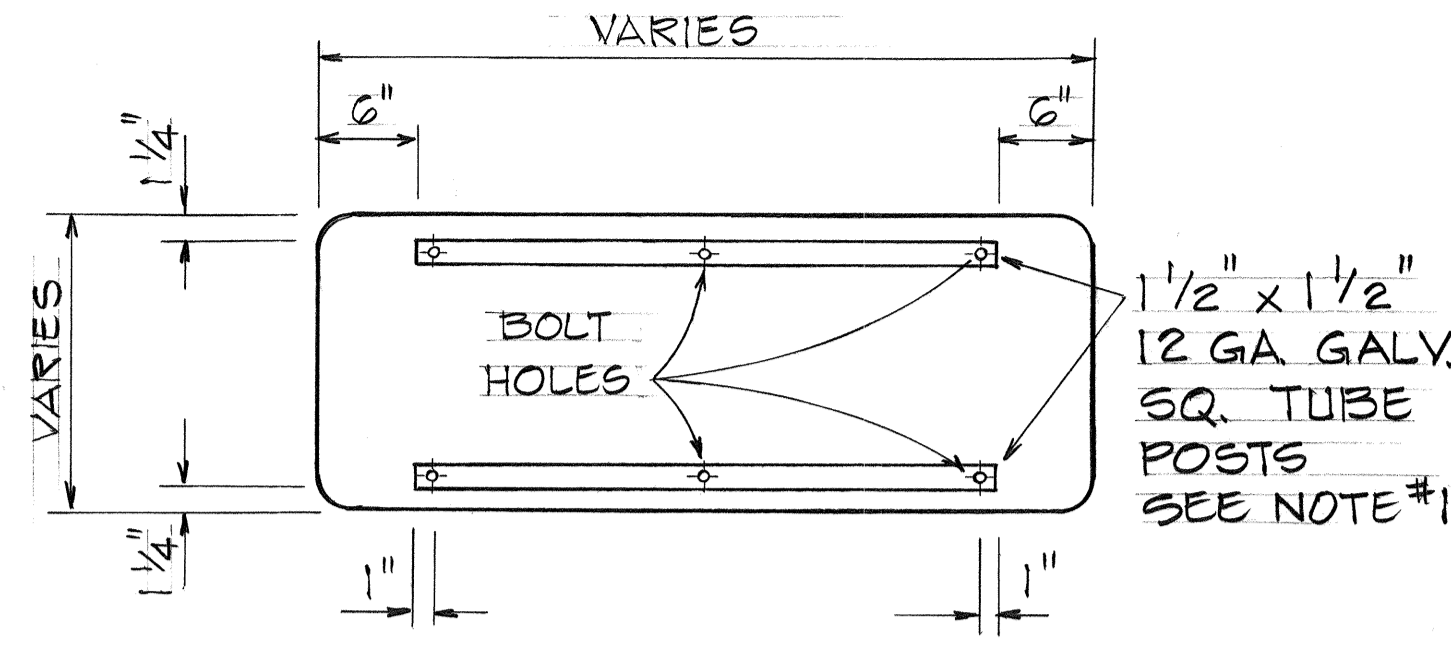
FED. ROAD DIST. NO.	STATE	FED. AID PROJ. NO.	FISCAL YEAR	SHEET NO.	TOTAL SHEETS
HAWAII	HAW.	FR-092-1(17)	1981	5	14



SIDE VIEW



SQ. TUBE POST MOUNTING
BACK VIEW

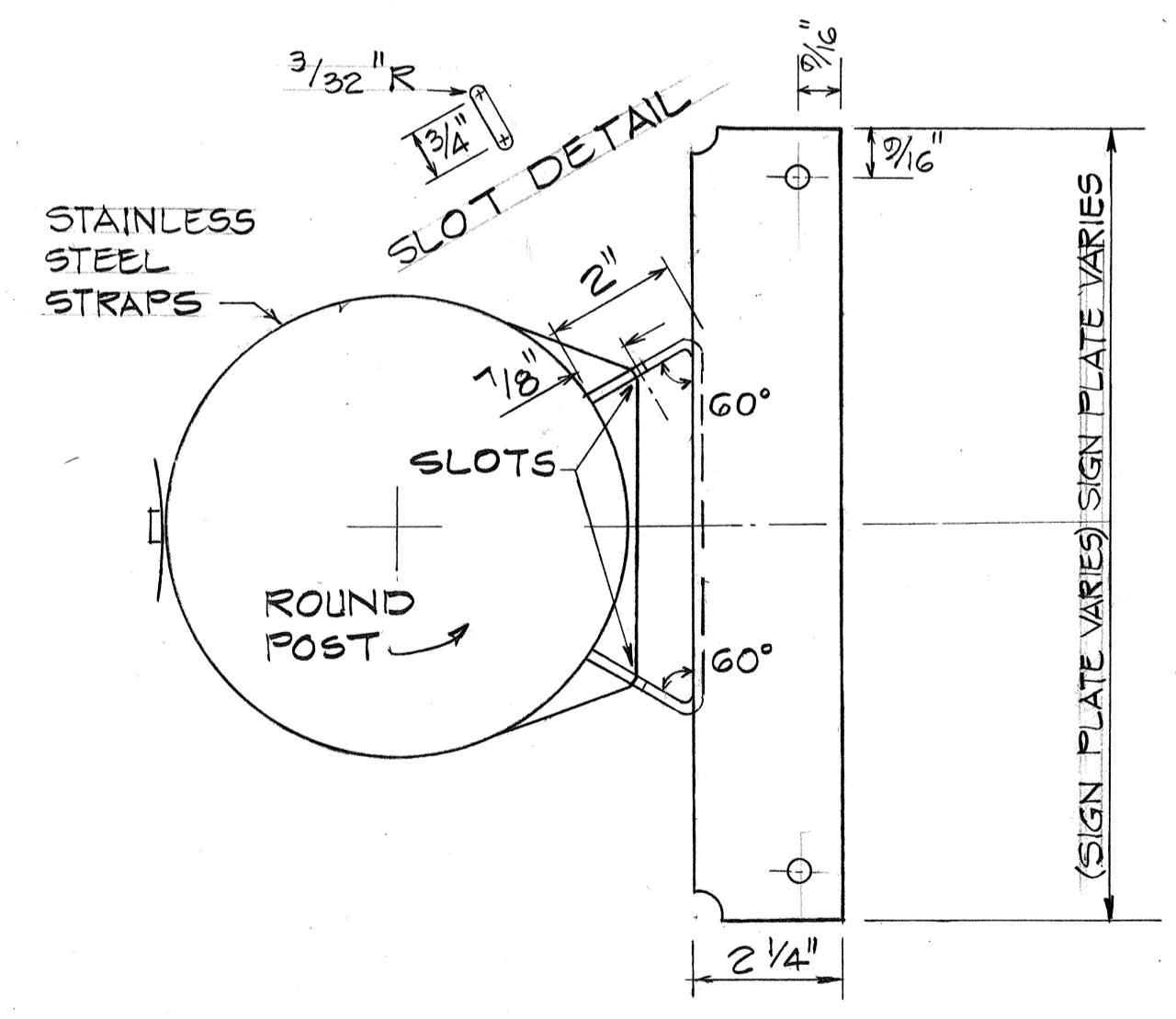


TYPICAL FRAME LAYOUT
Scale: 1" = 1'-0"

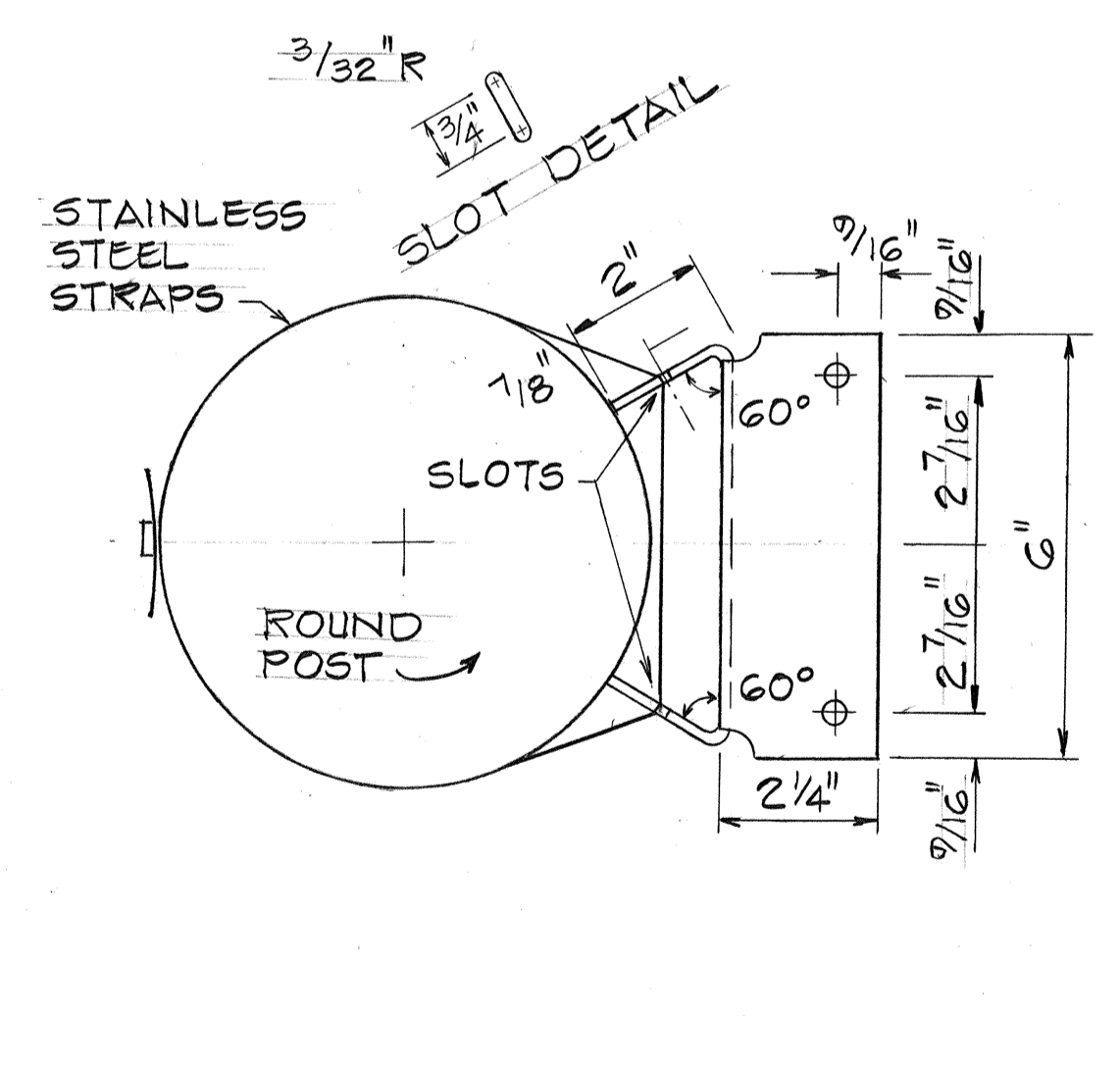
1. SQ. TUBE POSTS SHALL BE AS SPECIFIED IN THE SPECIAL PROVISIONS.
2. SIGN PANEL SHALL BE ATTACHED TO SQ. TUBE POST WITH 5/16" ϕ GALV. BOLT, NUT, LOCK WASHER & 7/8" x 0.06" STAINLESS STEEL FLAT WASHER WITH NEOPRENE RUBBER GASKET.

NOTE:

1. MATERIAL TO BE 12 GA. HOT ROLLED STEEL SHEET, LOW CARBON, COMMERCIAL QUALITY, SPECIFICATIONS QQS-636, GRADE 1010.
2. BRACKET TO BE HOT DIPPED GALV. AFTER FABRICATION PER SPECIFICATION ASTM-A-123-68.
3. ALL BEND RADII TO BE 1/8".
4. DEBURR ALL SHARP EDGES.
5. TOLERANCES: DIMENSIONS, $\pm 1/32"$ ANGLES, $\pm 0^\circ-30'$

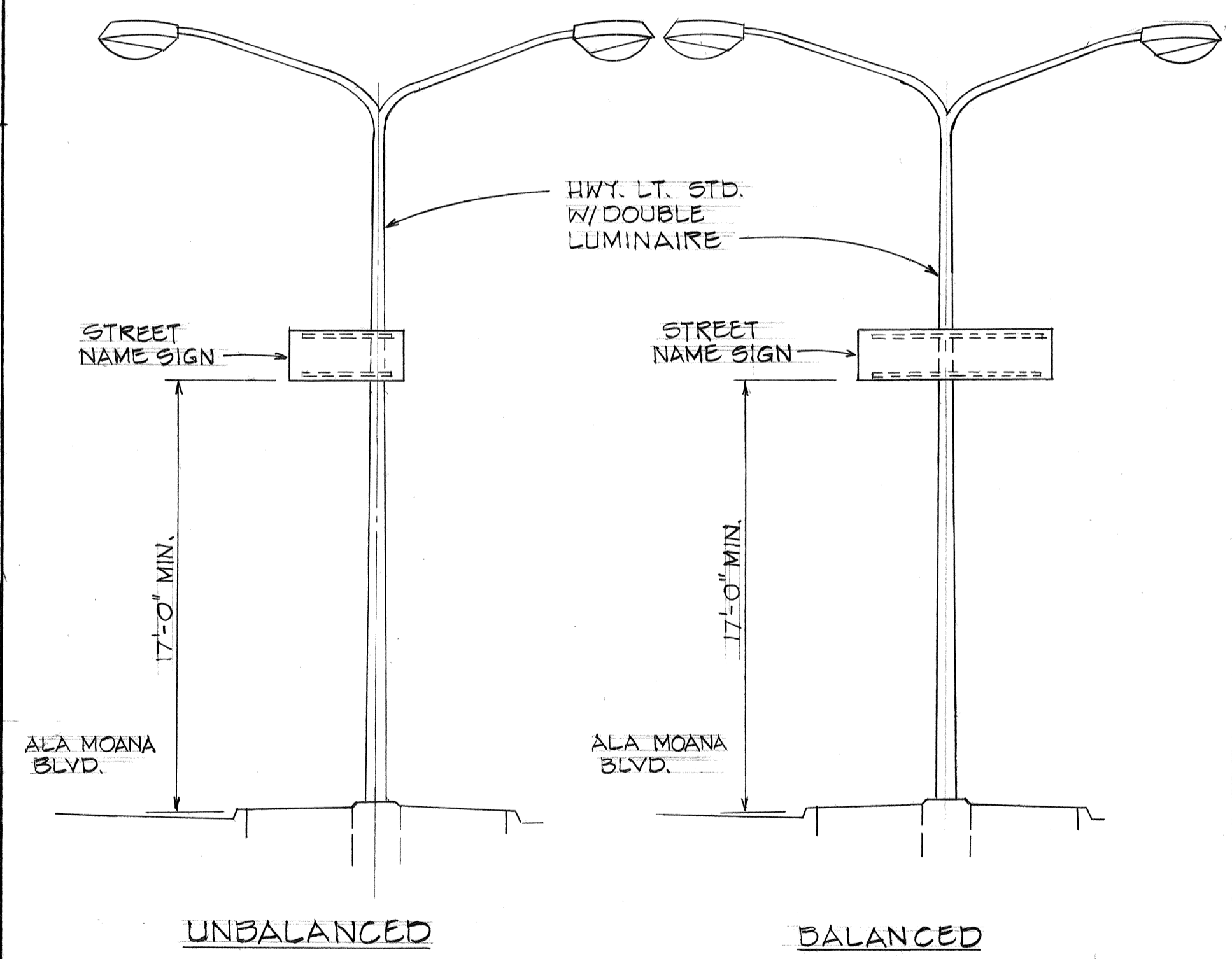


TOP VIEW
BALANCED SIGN



TOP VIEW
UNBALANCED SIGN

ROUND POST MOUNTING
NOT TO SCALE



SIGN MOUNTING
NOT TO SCALE

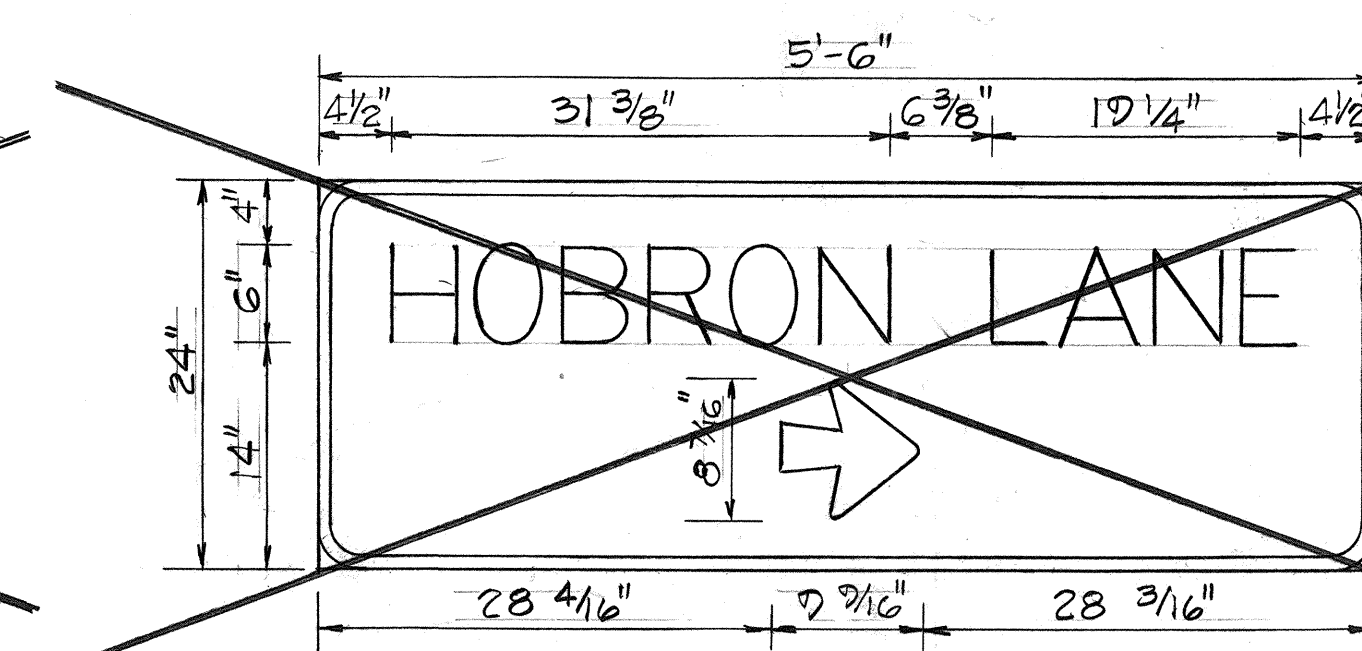
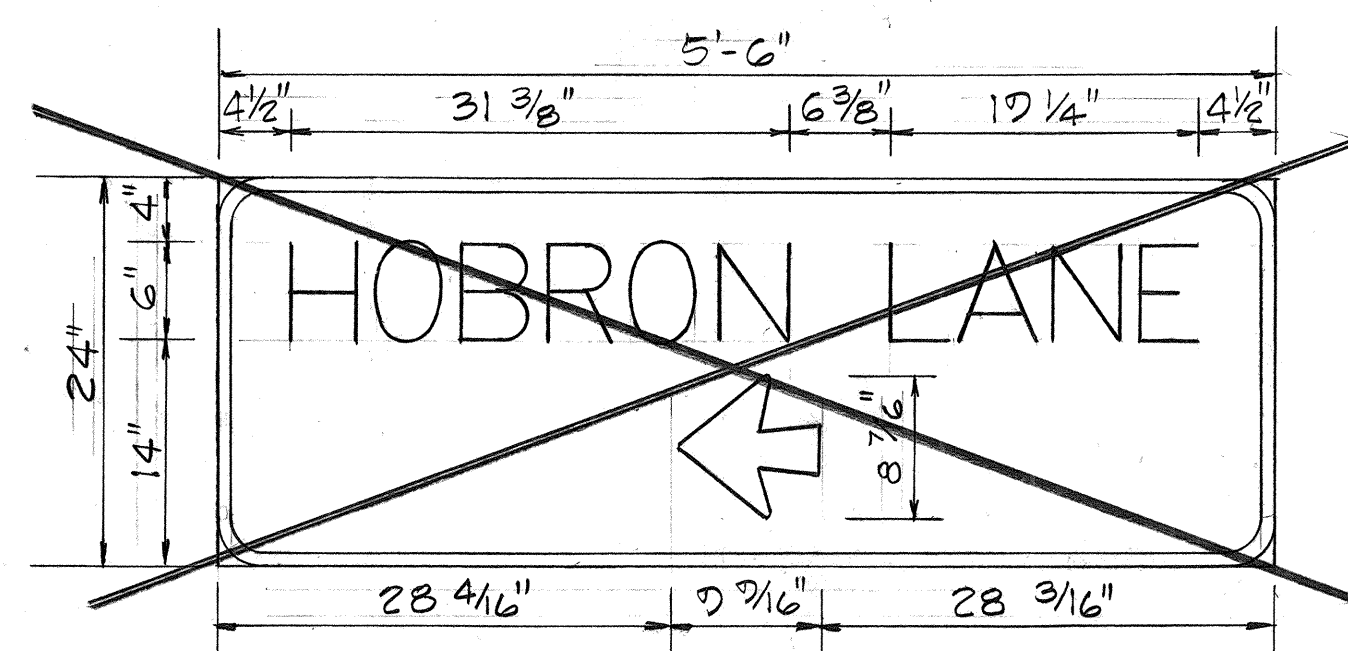
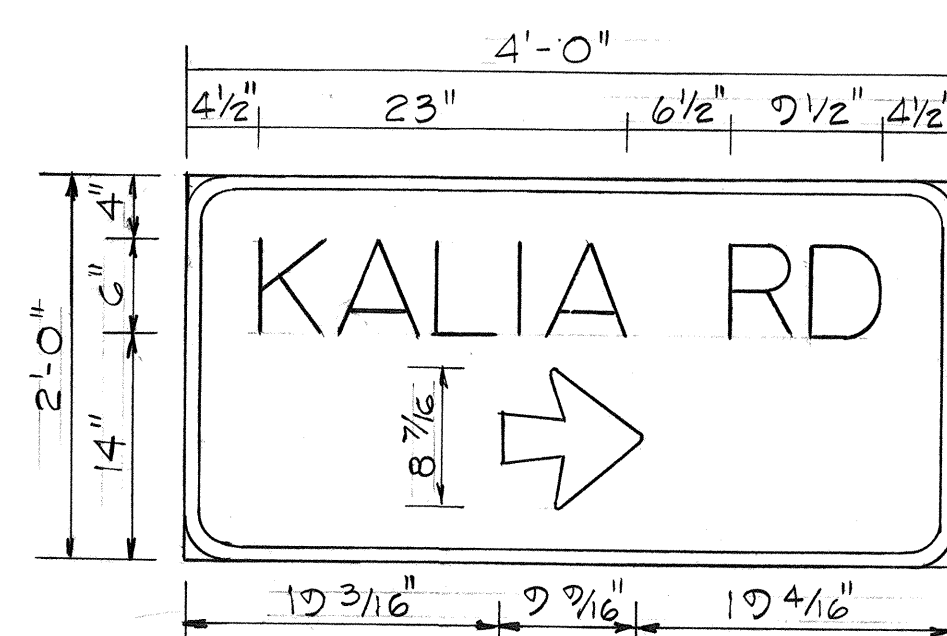
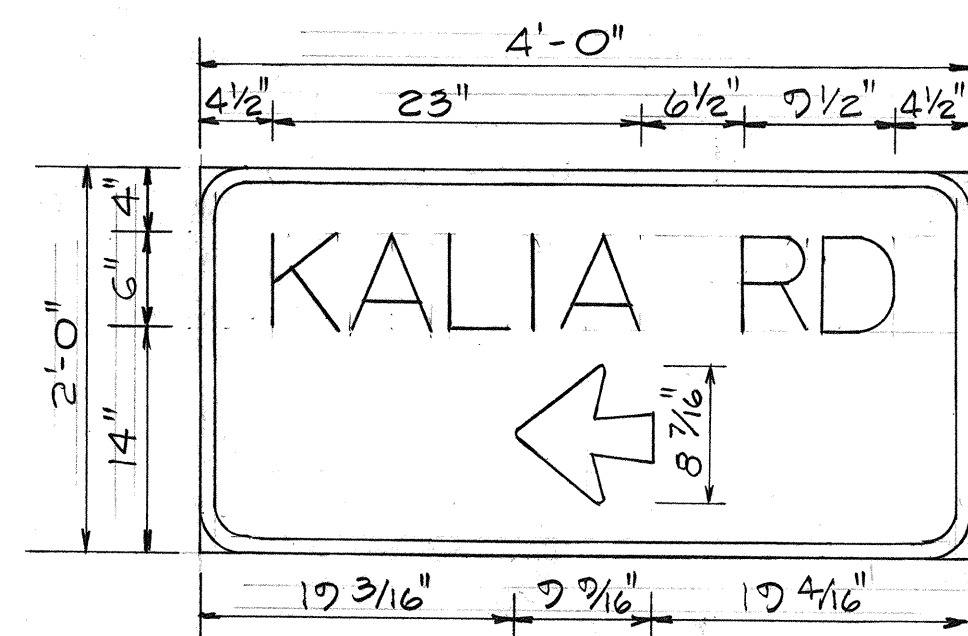
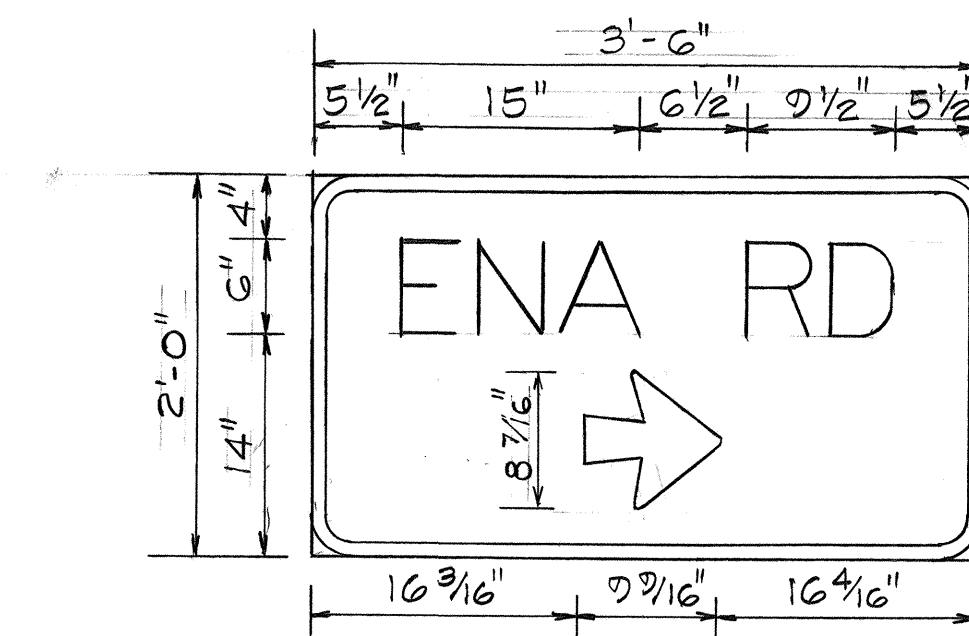
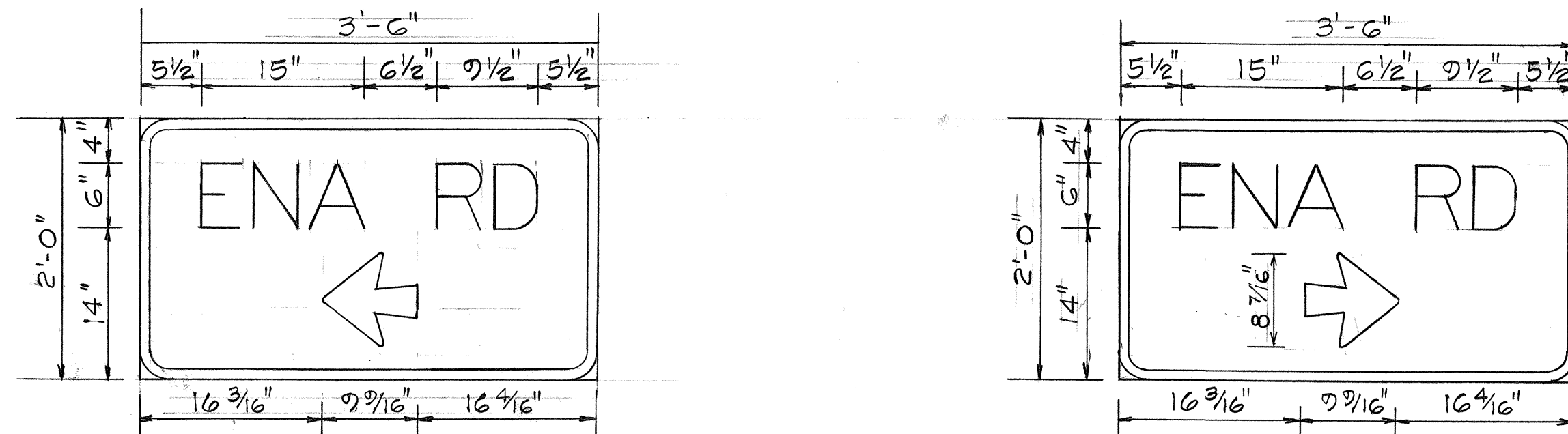
SURVEY PLOTTED BY	DATE
DRAWN BY	
TRACED BY	
CHECKED BY	
ORIGINAL PLAN	
NOTE BOOK	
No.	

STATE OF HAWAII
DEPARTMENT OF TRANSPORTATION
HIGHWAYS DIVISION
**BALANCED, UNBALANCED
SIGN INSTALLATION**
ALA MOANA BLVD RESURFACING
Ena Road to Kalakaua Avenue
F.A. PROJ. NO. FR-092-1(17)
Scale: As Noted
SHEET No. 1 OF 1 SHEETS

FED. ROAD DIST. NO.	STATE	PROJ. NO.	FISCAL YEAR	SHEET NO.	TOTAL SHEETS
HAWAII	HAW.	FR-092-1(17)	1981	6	14

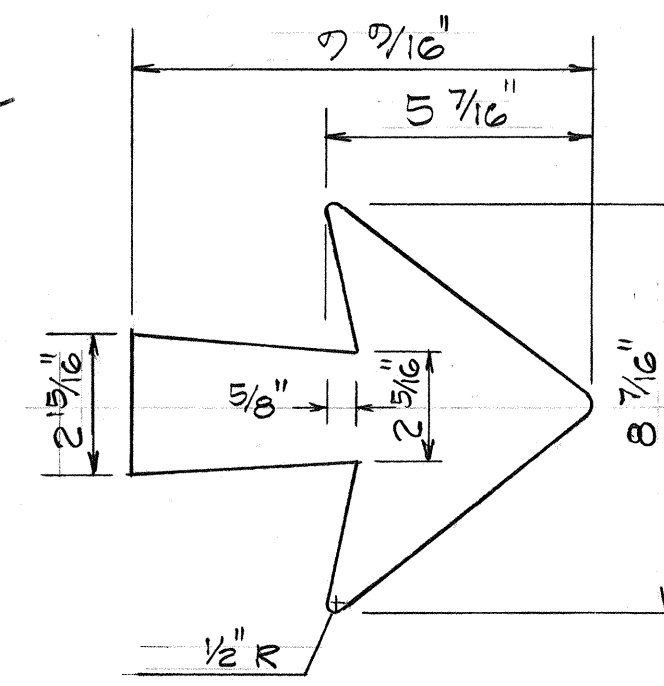
STREET NAME SIGN NOTES

- Street name signs () shall conform to the latest FHWA publications: "Manual on Uniform Traffic Control Devices for Streets & Highways" and as amended "Standard Alphabets for Highway Signs".
- Letters: Series D Upper Case
Color: Letters } White Reflective Sheeting on Demountable Borders } Aluminum Cut-Outs fastened to Sign Panel with Aluminum Blind Rivets.
Background } Green Reflective Sheeting
Sign Panel: 0.100" TH. Sheet Aluminum
- If splicing of Sign Panel is necessary, contractor shall submit splice details to Engineer for approval.
- For Typical Frame Layout and Mounting Details see Plan Sht. # 5 "Unbalanced Sign Installation".



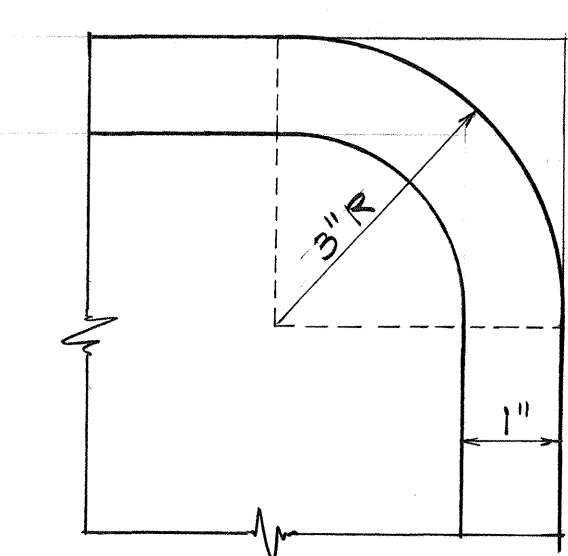
N. I. C.

N. I. C.



ARROW DETAIL
Scale: 3"=1'-0"

Area outside Corner.
Radius need not be trimmed



BORDER DETAIL
Scale: 6"=1'-0"

DATE	
SURVEY PLOTTED BY	
DRAWN BY	
TRACED BY	
CHECKED BY	
NOTED BY	
NO.	

STATE OF HAWAII
DEPARTMENT OF TRANSPORTATION
HIGHWAYS DIVISION

STREET NAME SIGNS

ALA MOANA BLVD RESURFACING
End Road to Kalakaua Avenue

F.A. PROJ. NO. FR-092-1(17)
Scale: As Noted

SHEET No. / OF / SHEETS