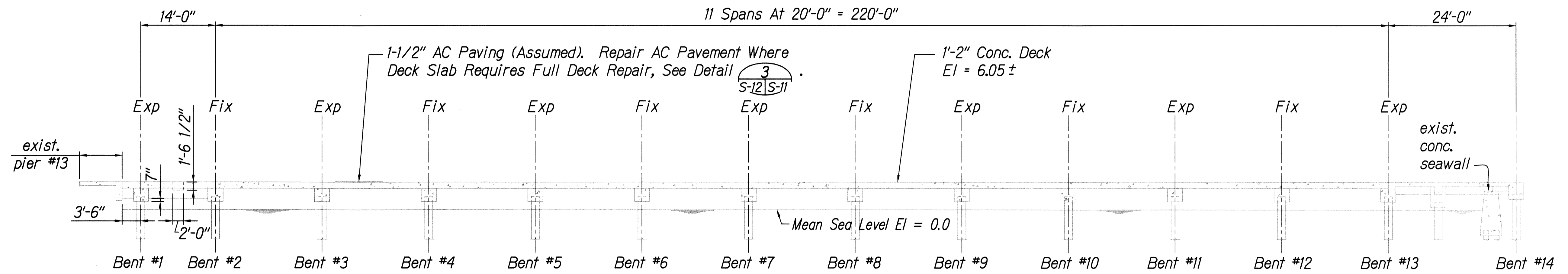
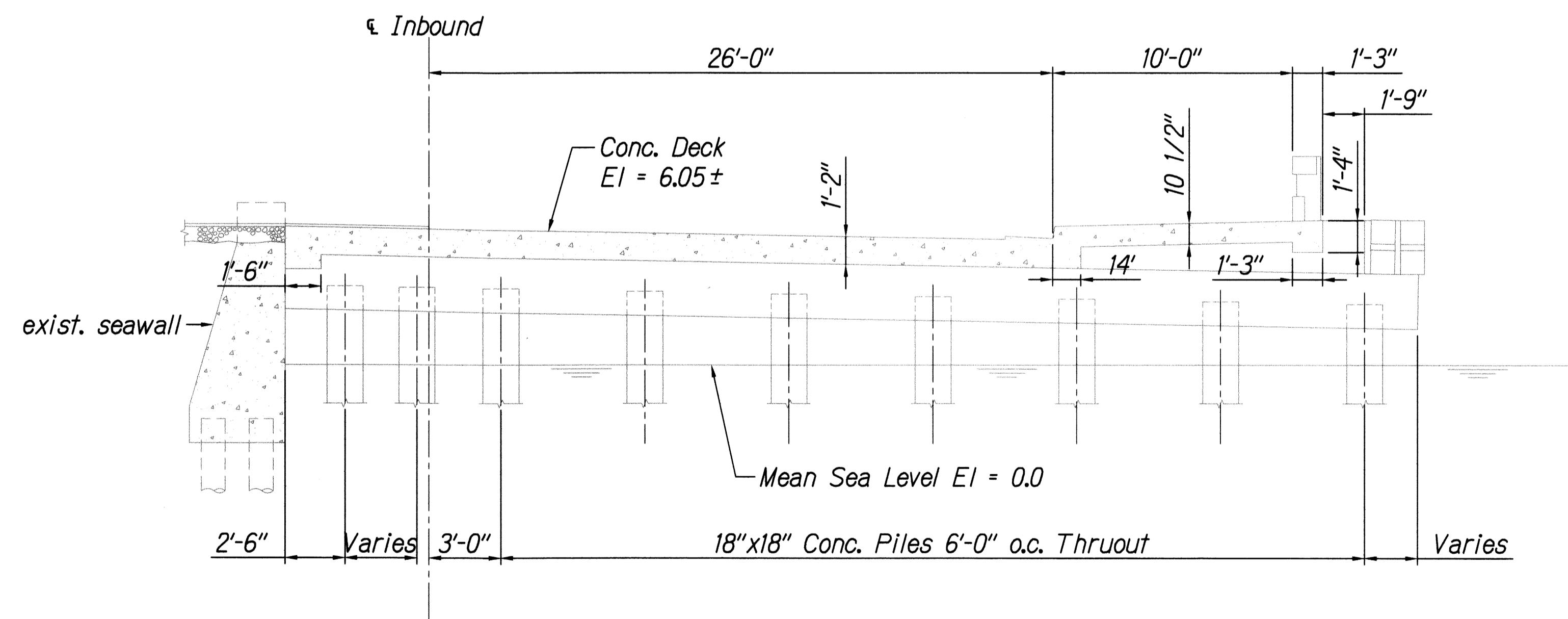


FED. ROAD DIST. NO.	STATE	PROJ. NO.	FISCAL YEAR	SHEET NO.	TOTAL SHEETS
HAWAII	HAW.	92A-01-10M	2010	14	44

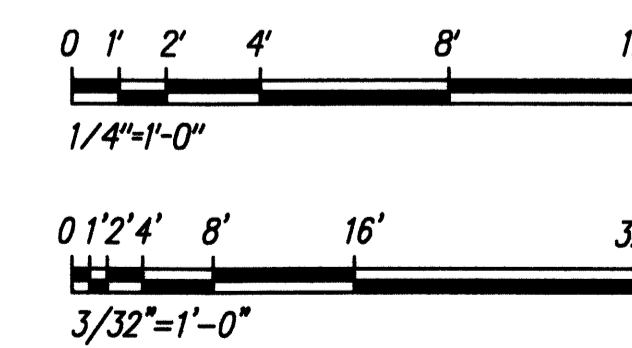


2 SLIP COVER #3 SECTION
 S-8, S-9 & S-10/S-12 SCALE: 3/32" = 1'-0"



1 SLIP COVER #3 SECTION
 S-8, S-9 & S-10/S-12 SCALE: 1/4" = 1'-0"

Note: Some repairs on piles and bents might be at the splash zone depending on tide. High tide conditions will also limit overhead access under the slip cover.



STATE OF HAWAII
 DEPARTMENT OF TRANSPORTATION
 HIGHWAYS DIVISION

SLIP COVER #3 - SECTIONS

NIMITZ HIGHWAY
 Rehabilitation of Honolulu Slip Cover
 and Slip Cover #3
 Project No. 92A-01-10M

Scale: As Noted Date: April 2010

SURVEY PLOTTED BY	DATE
DRAWN BY	
DESIGNED BY	
QUANTITIES BY	
CHECKED BY	
ORIGINAL PLAN	
NO.	