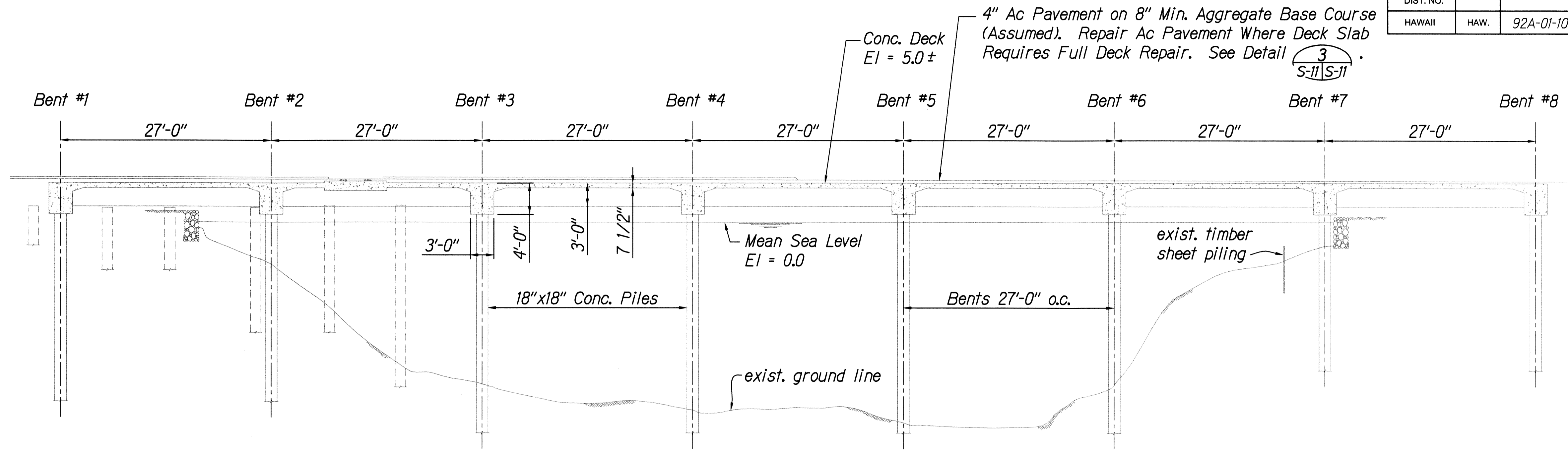
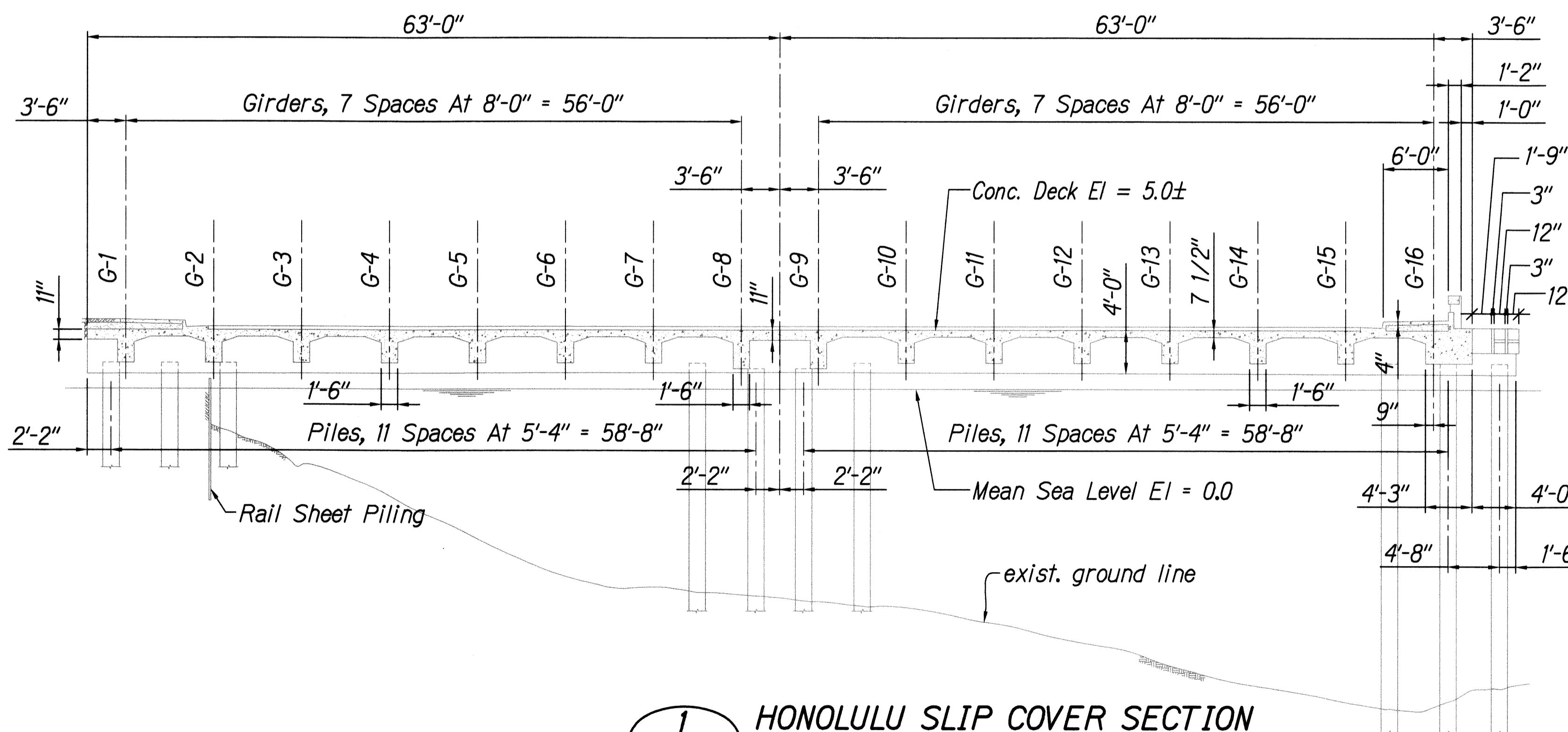


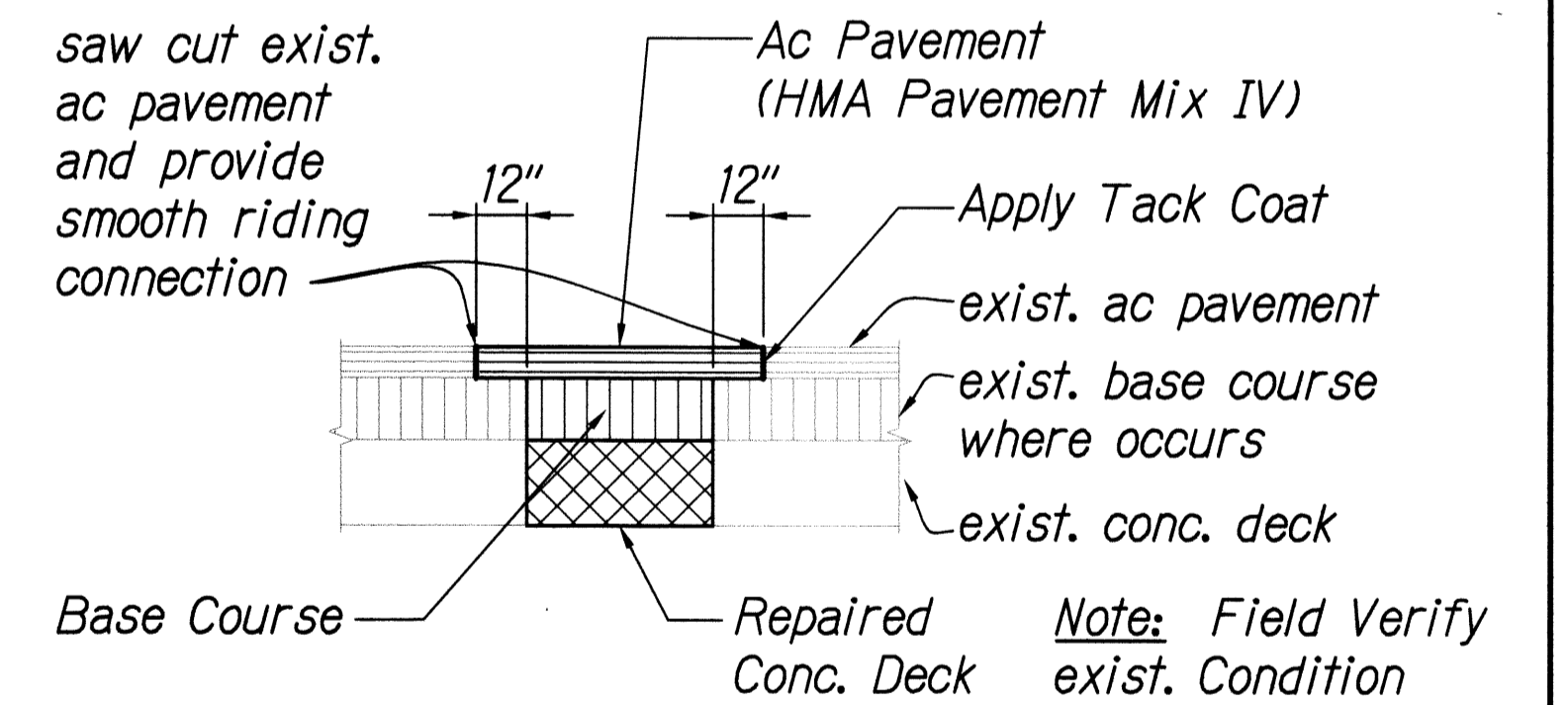
FED. ROAD DIST. NO.	STATE	PROJ. NO.	FISCAL YEAR	SHEET NO.	TOTAL SHEETS
HAWAII	HAW.	92A-01-10M	2010	13	44



2 HONOLULU SLIP COVER SECTION
S-6 & S-7/S-11 SCALE: 1/8" = 1'-0"

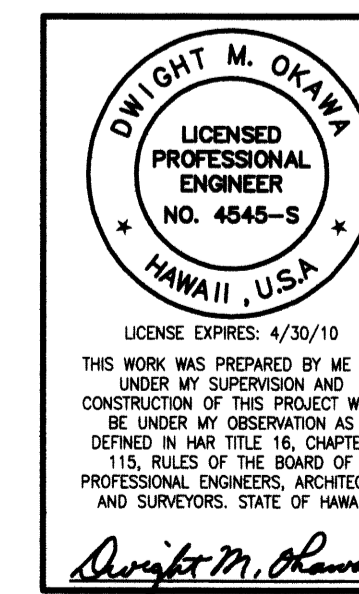
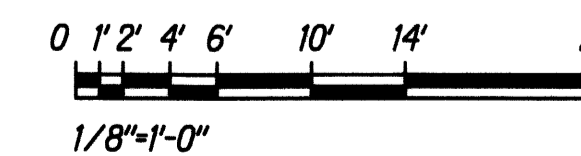


1 HONOLULU SLIP COVER SECTION
S-6 & S-7/S-11 SCALE: 1/8" = 1'-0"



3 AC PAVEMENT REPAIR
S-11, S-12 & S-16/S-11 NOT AT SCALE

DATE	_____
DESIGNED BY	_____
CHECKED BY	_____
QUANTITIES BY	_____
DESIGNED BY	_____
NOTED BY	_____
NO.	_____



STATE OF HAWAII
DEPARTMENT OF TRANSPORTATION
HIGHWAYS DIVISION
HONOLULU SLIP COVER SECTIONS
& AC PAVEMENT REPAIR DETAILS
NIMITZ HIGHWAY
Rehabilitation of Honolulu Slip Cover
and Slip Cover #3
Project No. 92A-01-10M
Scale: As Shown Date: April 2010
SHEET No. S-11 OF 19 SHEETS