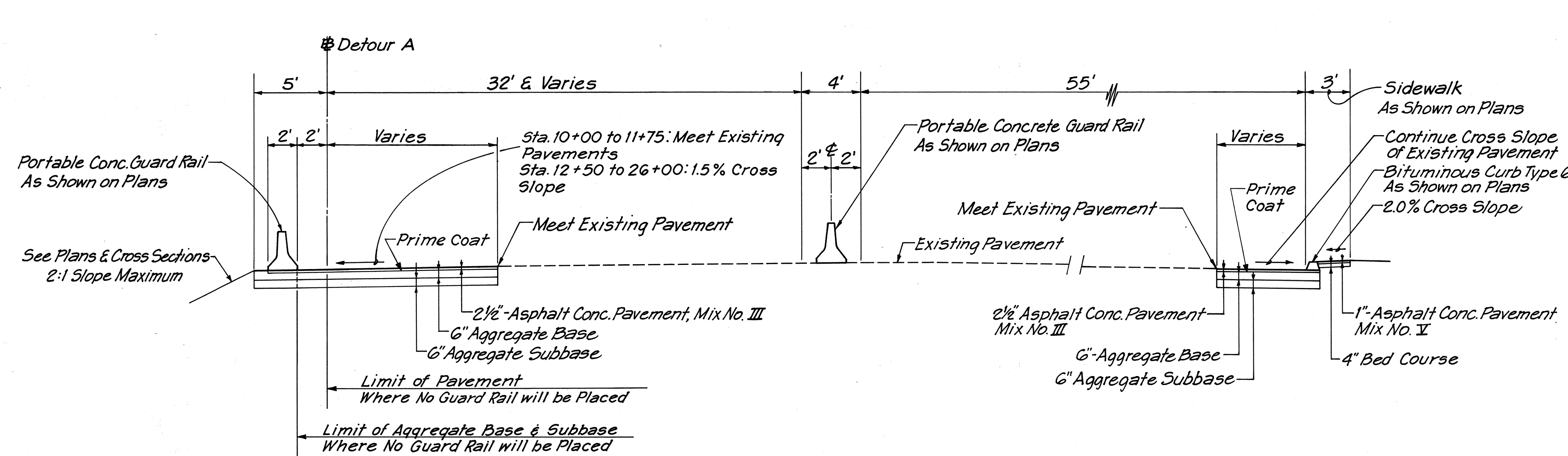
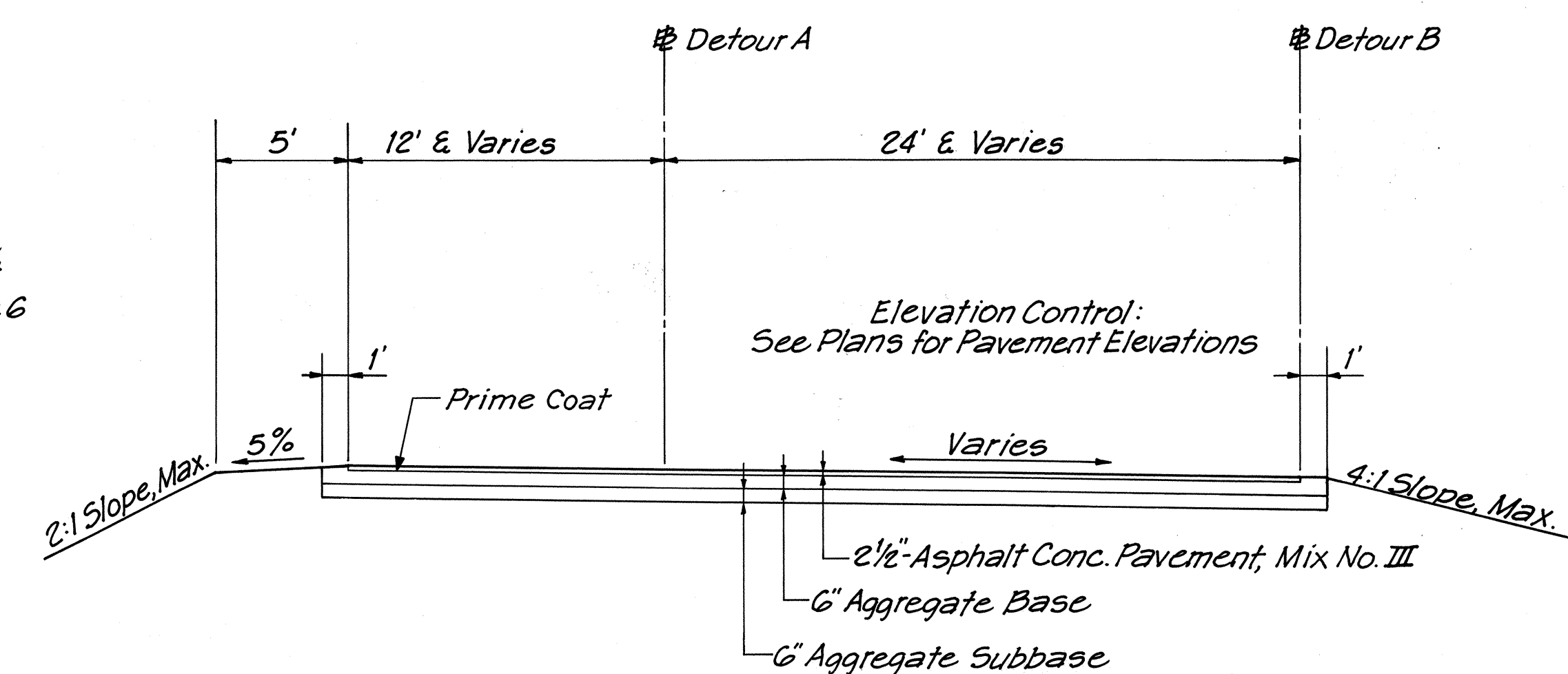


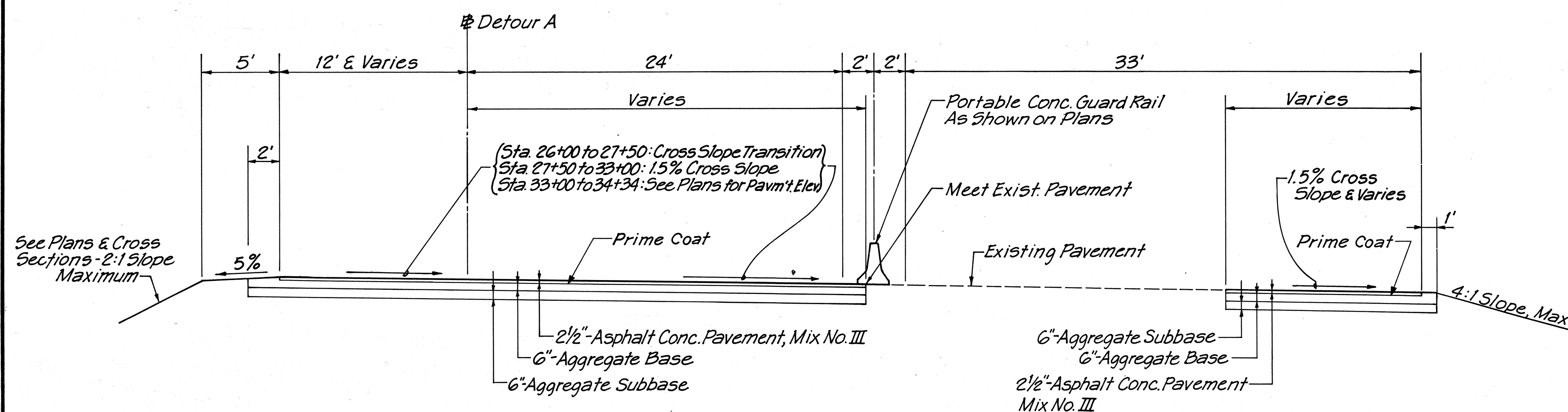
FED. ROAD DIST. NO.	STATE	FED. AID PROJ. NO.	FISCAL YEAR	SHEET NO.	TOTAL SHEETS
HAWAII	HAW.	I-H1-1(128)17	1975	2	78



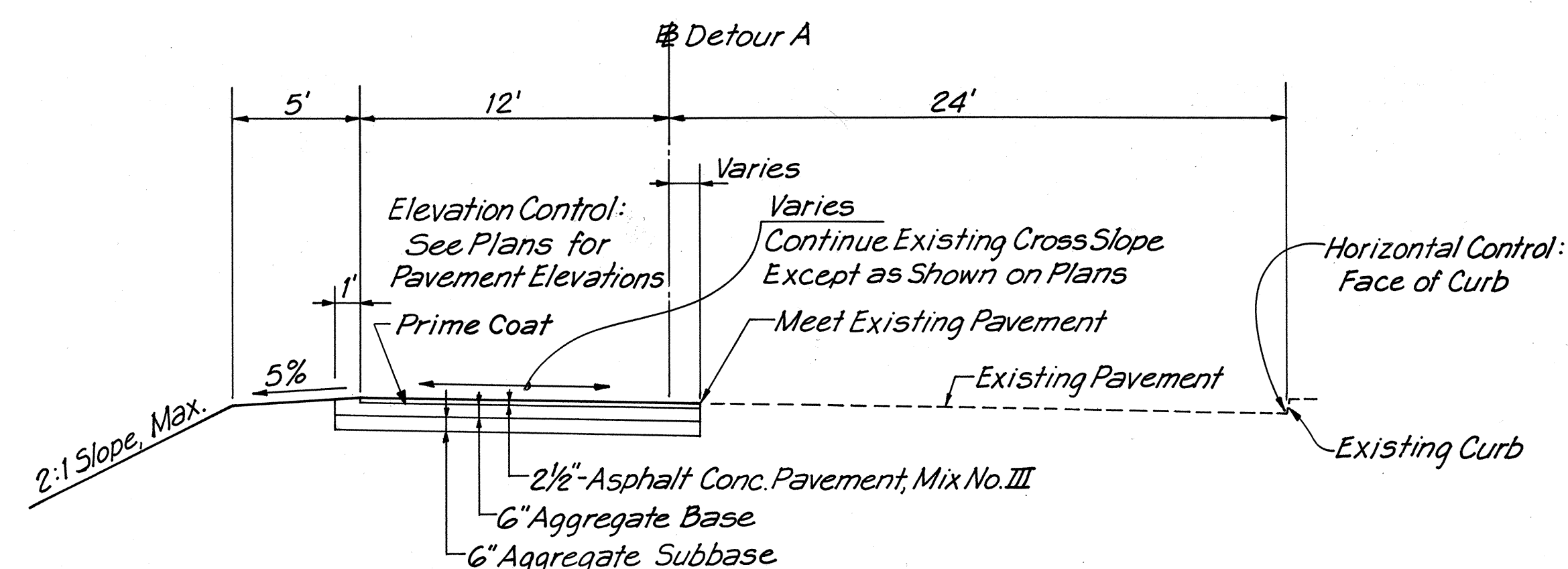
DETOUR A STA. 10+00 TO 26+00±



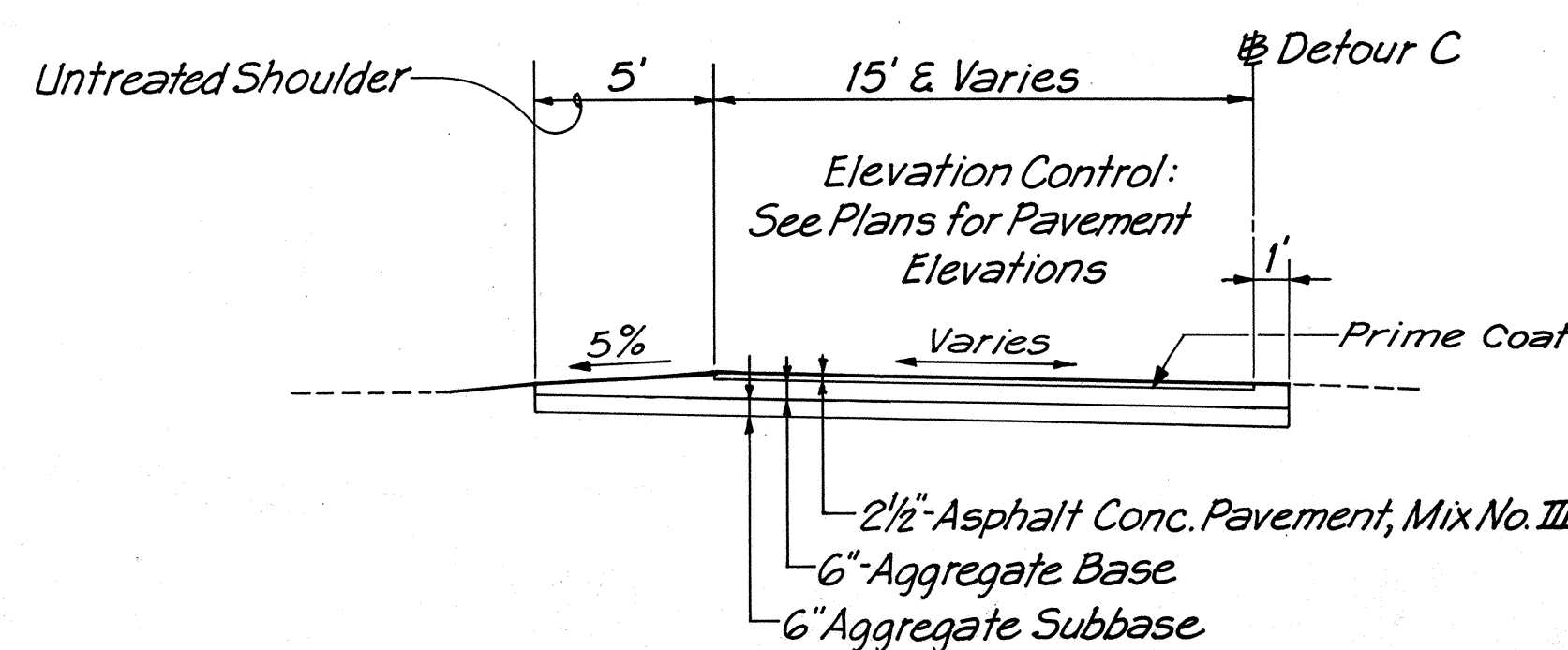
DETOUR A STA. 34+34 TO 45+80± AND DETOUR B



DETOUR A STA. 26+00± TO 34+34

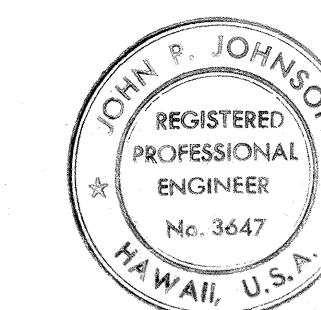


DETOUR A STA. 45+80± TO 49+80±



DETOUR C

SURVEY PLOTTED BY	DATE
DESIGNED BY	
NOTED BY	
CHECKED BY	
ORIGINAL PLAN	
NOTE BOOK	
QUANTITIES BY	
CHECKED BY	
No.	



THIS WORK WAS PREPARED BY ME OR UNDER MY SUPERVISION.

John P. Johnson

STATE OF HAWAII
DEPARTMENT OF TRANSPORTATION
HIGHWAYS DIVISION

TYPICAL DETOUR SECTIONS

INTERSTATE ROUTE H-1
PROJECT NO. I-H1-1 (128):17

SCALE: 1"=5' DATE: DEC 13, 1974

SHEET No. 1 OF 1 SHEETS