

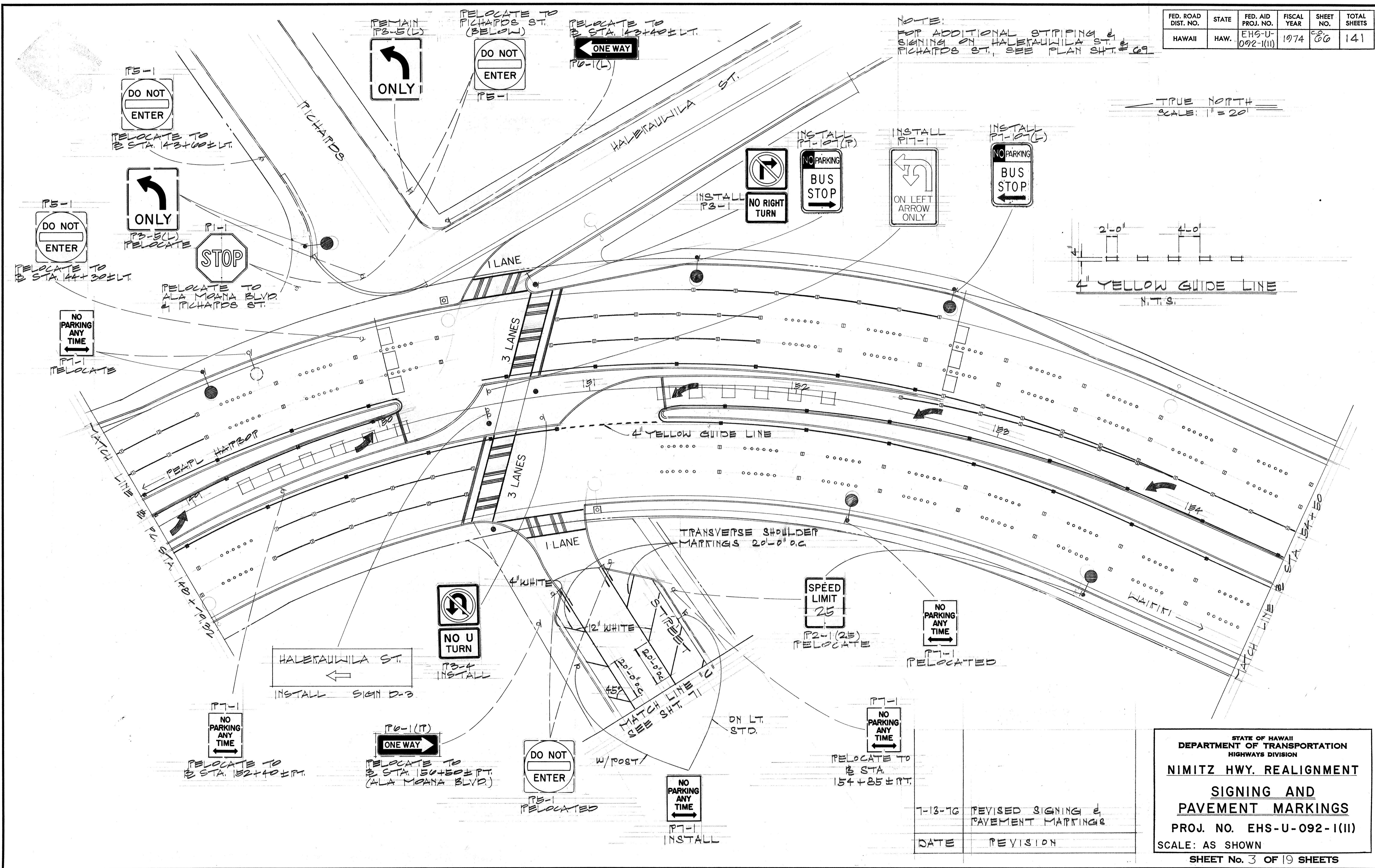
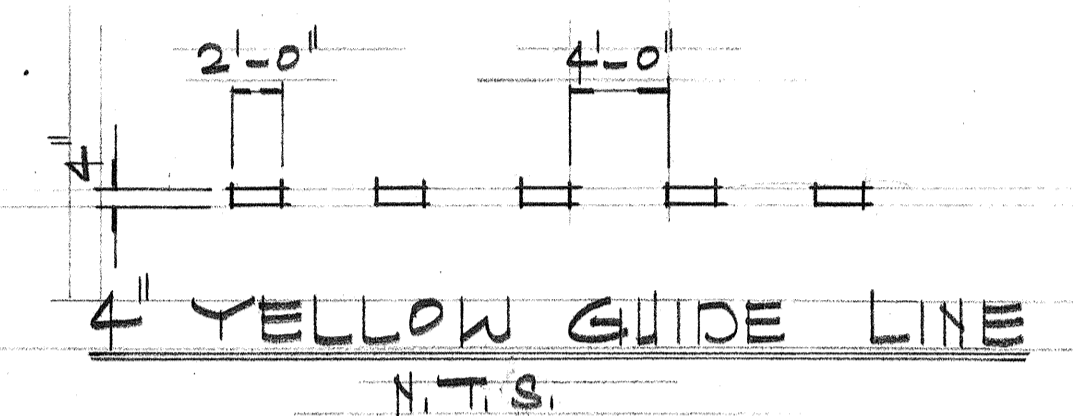




FED. ROAD DIST. NO.	STATE	FED. AID PROJ. NO.	FISCAL YEAR	SHEET NO.	TOTAL SHEETS
HAWAII	HAW.	EHS-U-092-1(II)	1974	03	141

NOTE:  
FOR ADDITIONAL STIPING & SIGNING ON HALEKAUWILA ST. & RICHARDS ST., SEE PLAN SHT. # 69.

TRUE NORTH  
SCALE: 1" = 20'



DESIGNED BY	DATE
DRAWN BY	
CHECKED BY	
NO. _____	

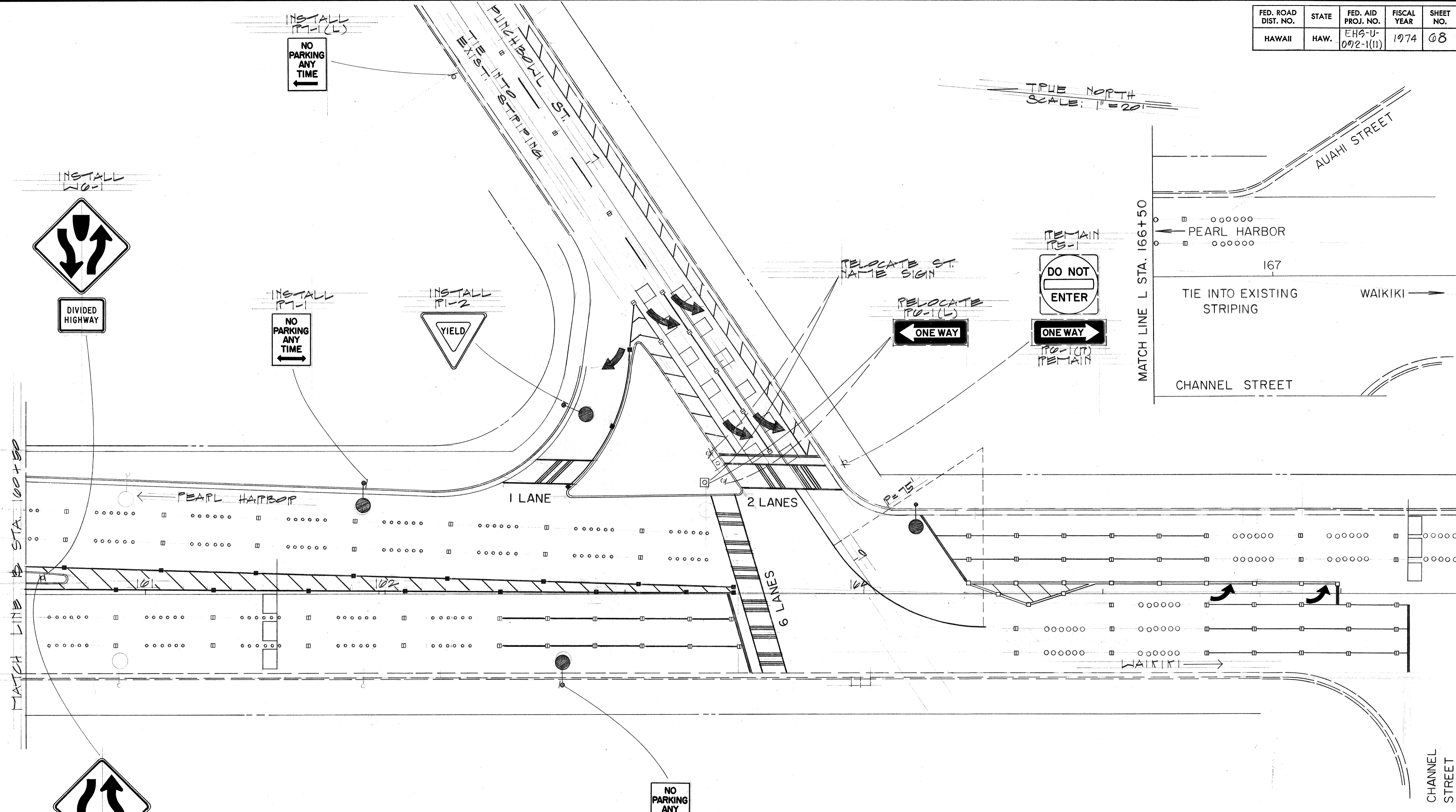
DATE	REVISION
7-13-76	REVISED SIGNING & PAVEMENT MARKINGS

STATE OF HAWAII  
DEPARTMENT OF TRANSPORTATION  
HIGHWAYS DIVISION  
**NIMITZ HWY. REALIGNMENT**  
**SIGNING AND PAVEMENT MARKINGS**  
PROJ. NO. EHS-U-092-1(II)  
SCALE: AS SHOWN  
SHEET No. 3 OF 19 SHEETS

C.O. (5) (5)



FED. ROAD DIST. NO.	STATE	FED. AID PROJ. NO.	FISCAL YEAR	SHEET NO.	TOTAL SHEETS
HAWAII	HAW.	EHS-U-092-1(II)	1974	08	141



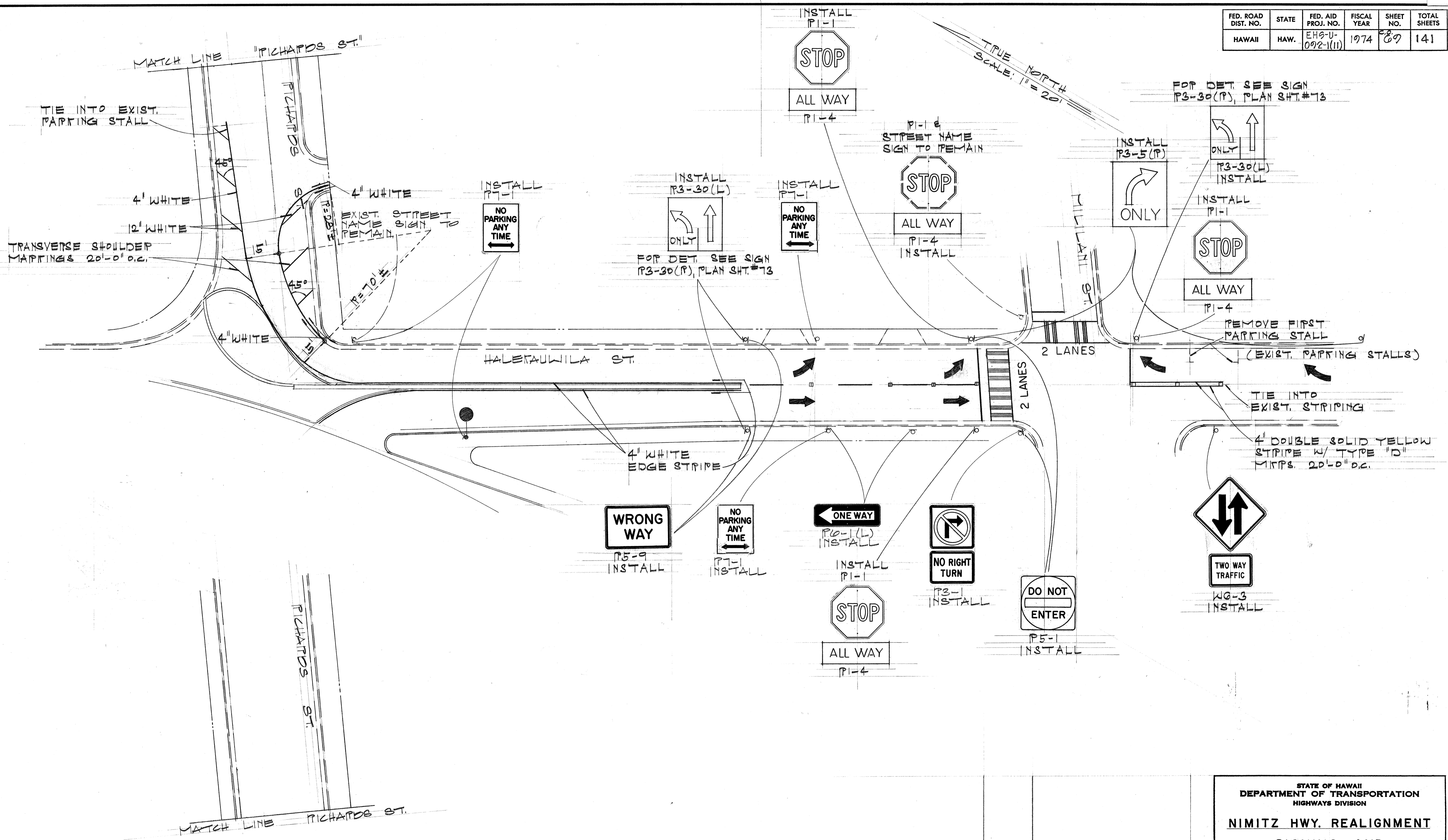
DESIGNED BY	DATE
DRAWN BY	
CHECKED BY	
NO. _____	

ORIGINAL PLAN  
NOTE BOOK No. \_\_\_\_\_

STATE OF HAWAII  
DEPARTMENT OF TRANSPORTATION  
HIGHWAYS DIVISION  
**NIMITZ HWY. REALIGNMENT**  
**SIGNING AND PAVEMENT MARKINGS**  
PROJ. NO. EHS-U-092-1(II)  
SCALE: AS SHOWN  
SHEET No. 5 OF 19 SHEETS

68

FED. ROAD DIST. NO.	STATE	FED. AID PROJ. NO.	FISCAL YEAR	SHEET NO.	TOTAL SHEETS
HAWAII	HAW.	EHS-U-092-1(II)	1974	69	141



DESIGNED BY	DATE
DRAWN BY	
CHECKED BY	
DATE	

DATE	REVISION
7-13-76	REVISED SIGNING & PAVEMENT MARKINGS

STATE OF HAWAII  
DEPARTMENT OF TRANSPORTATION  
HIGHWAYS DIVISION

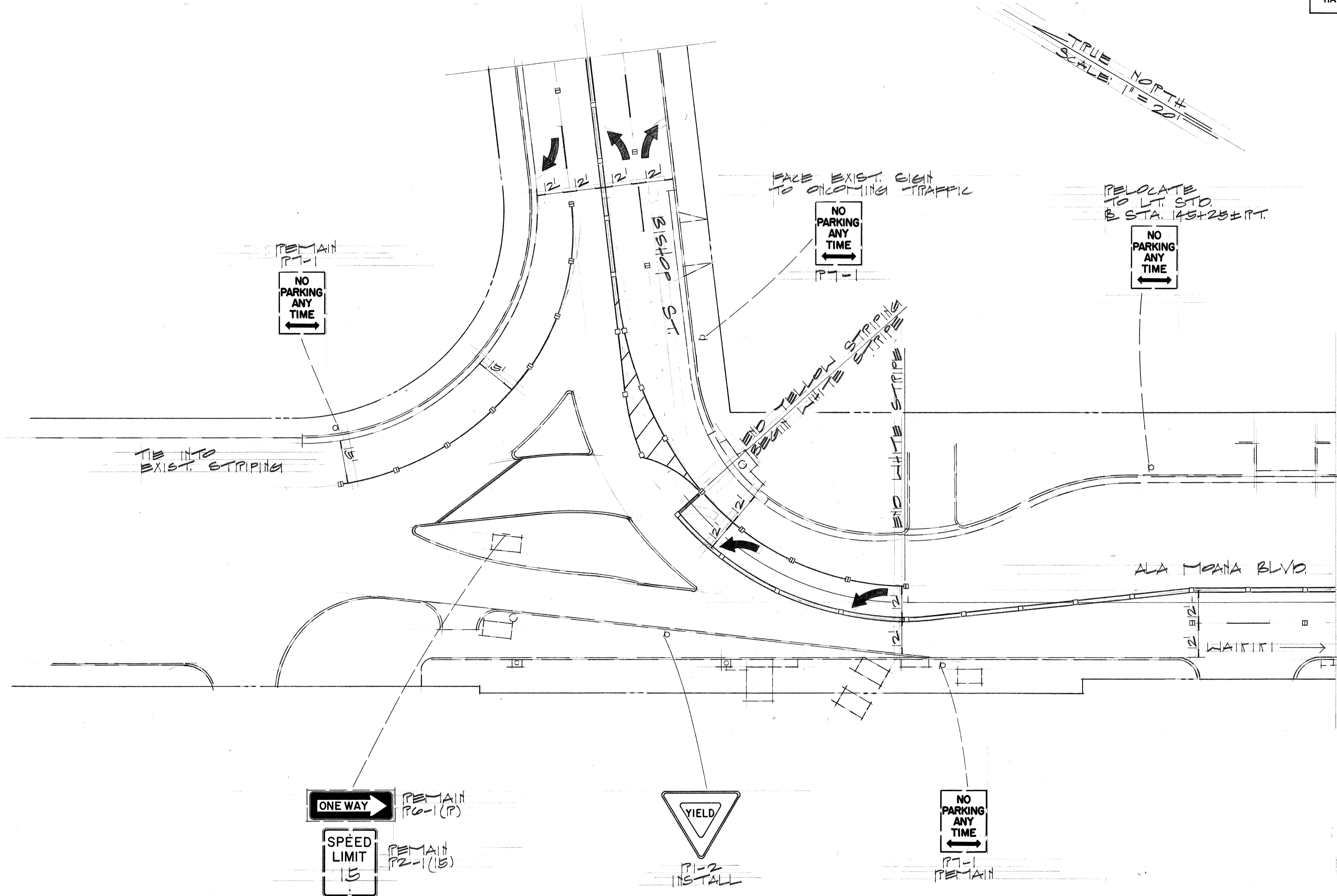
**NIMITZ HWY. REALIGNMENT**

**SIGNING AND PAVEMENT MARKINGS**

PROJ. NO. EHS-U-092-1(II)  
SCALE: AS SHOWN  
SHEET No. 6 OF 19 SHEETS

C.O. (59)

FED. ROAD DIST. NO.	STATE	FED. AID PROJ. NO.	FISCAL YEAR	SHEET NO.	TOTAL SHEETS
HAWAII	HAW.	EHS-U-092-1(II)	1974	70	141



DATE	_____
DESIGNED BY	_____
DRAWN BY	_____
CHECKED BY	_____
APPROVED BY	_____
NO.	_____

STATE OF HAWAII  
DEPARTMENT OF TRANSPORTATION  
HIGHWAYS DIVISION

**NIMITZ HWY. REALIGNMENT**

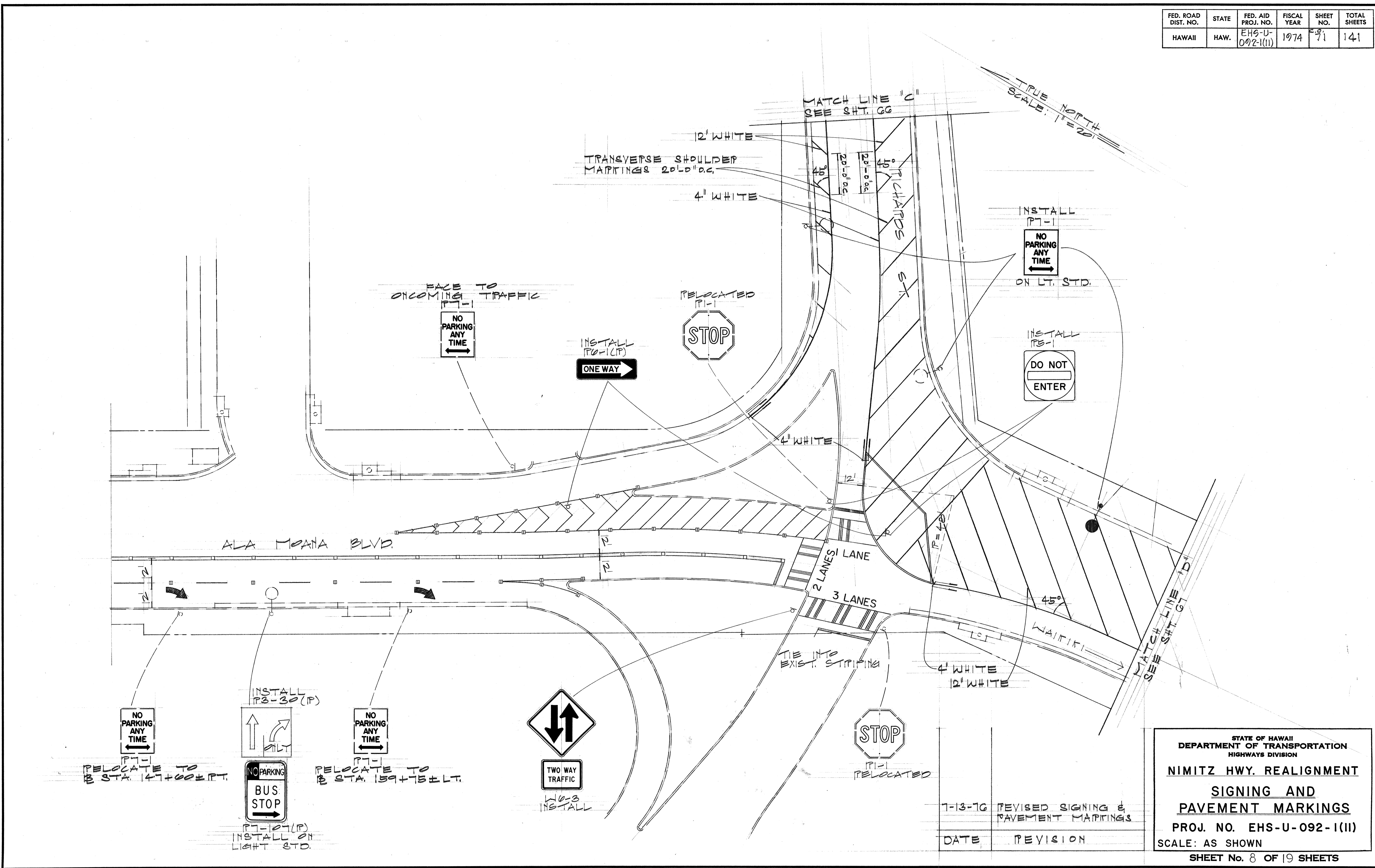
**SIGNING AND PAVEMENT MARKINGS**

PROJ. NO. EHS-U-092-1(II)  
SCALE: AS SHOWN

SHEET No. 7 OF 19 SHEETS

FED. ROAD DIST. NO.	STATE	FED. AID PROJ. NO.	FISCAL YEAR	SHEET NO.	TOTAL SHEETS
HAWAII	HAW.	EHS-U-092-1(II)	1974	71	141

DATE	.....
DESIGNED BY	.....
DRAWN BY	.....
CHECKED BY	.....
NO.	.....

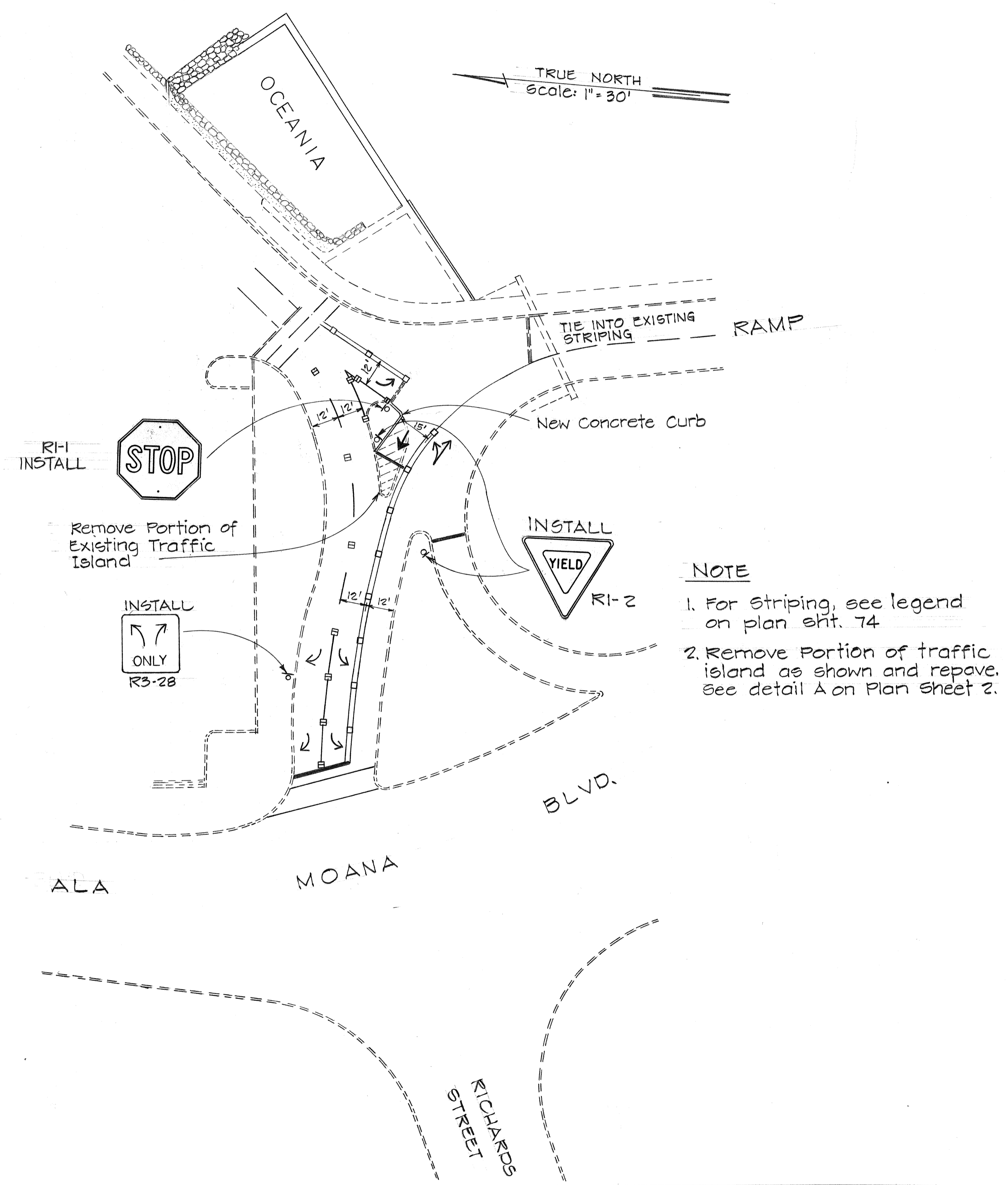


STATE OF HAWAII  
DEPARTMENT OF TRANSPORTATION  
HIGHWAYS DIVISION  
**NIMITZ HWY. REALIGNMENT**  
**SIGNING AND PAVEMENT MARKINGS**  
PROJ. NO. EHS-U-092-1(II)  
SCALE: AS SHOWN  
**SHEET No. 8 OF 19 SHEETS**

7-13-76 REVISED SIGNING & PAVEMENT MARKINGS  
DATE REVISION

C.O. 71

FED. ROAD DIST. NO.	STATE	FED. AID PROJ. NO.	FISCAL YEAR	SHEET NO.	TOTAL SHEETS
HAWAII	HAW.	EHS-U-092-1(12)	1976	C.O. 71 S-1	141



STATE OF HAWAII  
DEPARTMENT OF TRANSPORTATION  
HIGHWAYS DIVISION

**NIMITZ HWY. REALIGNMENT  
SIGNING AND  
PAVEMENT MARKINGS**

PROJ. NO. EHS-U-092-1(11)

Scale: As Shown Date: March, 1976

SHEET No. OF SHEETS

C.O. 71 S-1


SURVEY PLOTTED BY	DATE
DRAWN BY	
DESIGNED BY	
QUANTITIES BY	
CHECKED BY	
NO.	

FED. ROAD DIST. NO.	STATE	FED. AID PROJ. NO.	FISCAL YEAR	SHEET NO.	TOTAL SHEETS
HAWAII	HAW.	EHS-U-092-1(II)	1974	72	141


SUMMARY OF NEW TRAFFIC SIGNS

TYPE	DESCRIPTION	QUANTITY	
		W/ POST	W/O POST
P1-2	YIELD	1	1
P3-1	NO RIGHT TURN	1	1
P3-2	NO LEFT TURN		1
P3-4	NO U TURN	2	
P3-3	NO TURNS		2
P3-7(P)	RIGHT TURN LANE MUST TURN RIGHT		1
P3-23(L)	 (LANE USE)	1	
P3-27	 (LANE USE)	2	
P3-28	 (LANE USE)		1
P3-30(P)	 (LANE USE)		1
P5-1	DO NOT ENTER	2	
P6-1(L)	<ONE WAY	2	
P6-1(P)	ONE WAY>	1	1
P7-1	NO PARKING ANY TIME		5
P7-1(L)	NO PARKING ANY TIME ←	2	
P7-1(P)	NO PARKING ANY TIME →		1
P7-107(L)	NO PARKING BUS STOP ←		1
P7-107(P)	NO PARKING BUS STOP →		2
P17-1	 ON LEFT ARROW ONLY	1	
W3-3	SIGNAL AHEAD	1	1
W4-1(P)	MERGE		1
W4-2(P)		1	
W0-1	DIVIDED HIGHWAY		1
W0-2	DIVIDED HIGHWAY ENDS	1	
W0-3	TWO WAY TRAFFIC	2	
M1-0(92)	92 (STATE ROUTE MARKER)		1

SUMMARY OF EXISTING TRAFFIC SIGNS TO REMAIN

TYPE	DESCRIPTION	QUANTITY	
		W/ POST	W/O POST
P1-1	STOP	1	
P2-1(15)	SPEED LIMIT 15		1
P2-1(25)	SPEED LIMIT 25	1	1
P3-5(L)	 (LANE USE)	1	
P5-1	DO NOT ENTER	1	
P6-1(L)	<ONE WAY	1	
P6-1(P)	ONE WAY>		2
P7-1	NO PARKING ANY TIME	4	2
	STREET NAME SIGNS	1	3

SUMMARY OF EXISTING TRAFFIC SIGNS TO BE RELOCATED

TYPE	DESCRIPTION	QUANTITY	
		W/ POST	W/O POST
P1-1	STOP	1	1
P1-2	YIELD		2
P2-1(25)	SPEED LIMIT 25		2
P3-5(L)	 (LANE USE)		1
P5-1	DO NOT ENTER	3	1
P6-1(L)	<ONE WAY		2
P6-1(P)	ONE WAY>	2	
P7-1	NO PARKING ANY TIME	2	9
	STREET NAME SIGN		6

SUMMARY OF NEW PAVEMENT MARKINGS

DESCRIPTION	QUANTITY
TYPE "A" PAVEMENT MARKERS (NON-REFLECTIVE WHITE)	1,314 EA.
TYPE "C" PAVEMENT MARKERS (PED-CLEAR REFLECTIVE)	458 EA.
TYPE "D" PAVEMENT MARKERS (TWO-WAY YELLOW REFLECTIVE)	67 EA.
PAVEMENT STRIPING	14,235 L.F.
PAVEMENT STRIPING - CROSSWALKS	50 LANES
PAVEMENT ARROWS	40 EA.
TYPE "H" PAVEMENT MARKERS (ONE WAY YELLOW REFLECTIVE)	140 EA.

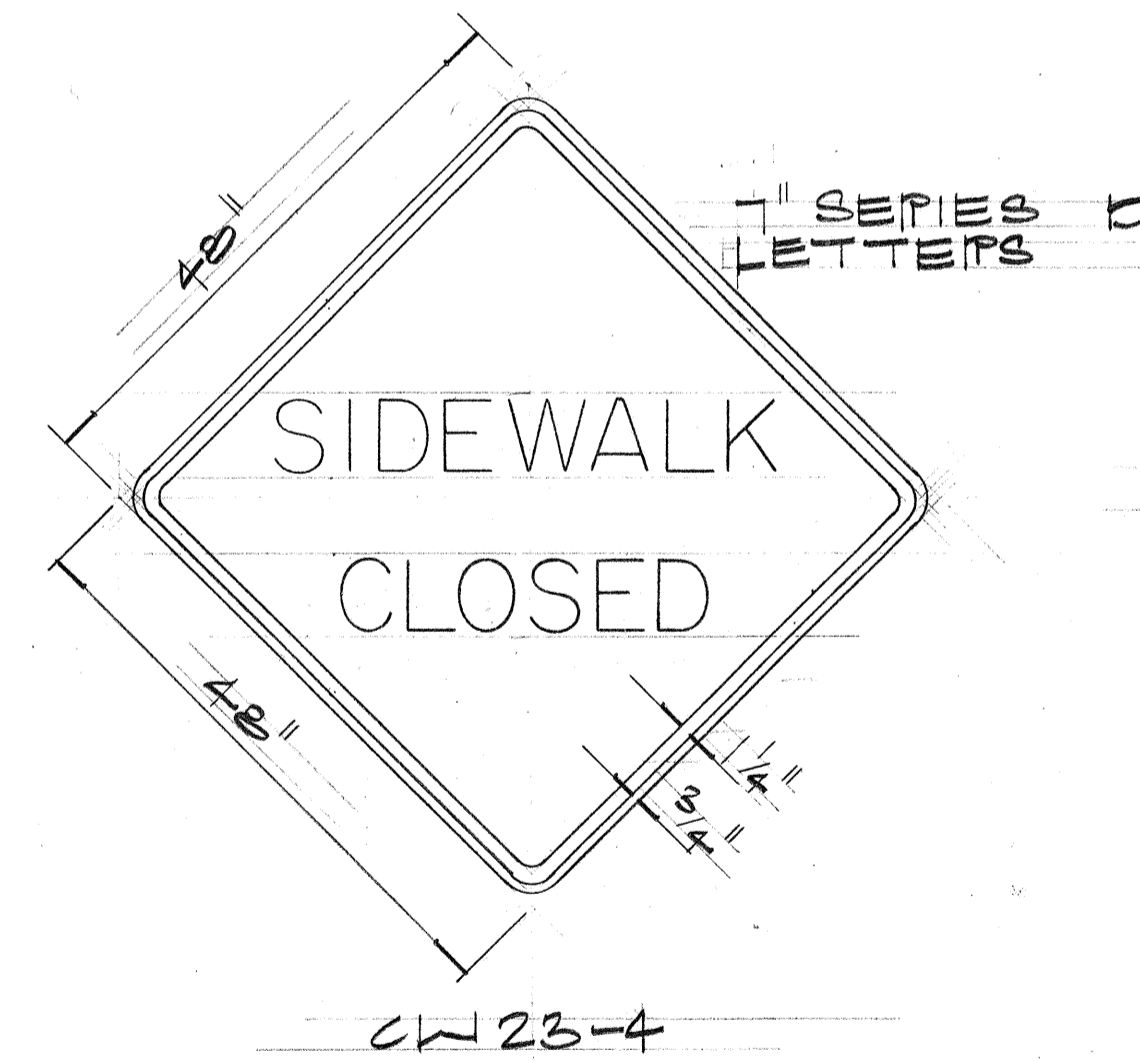
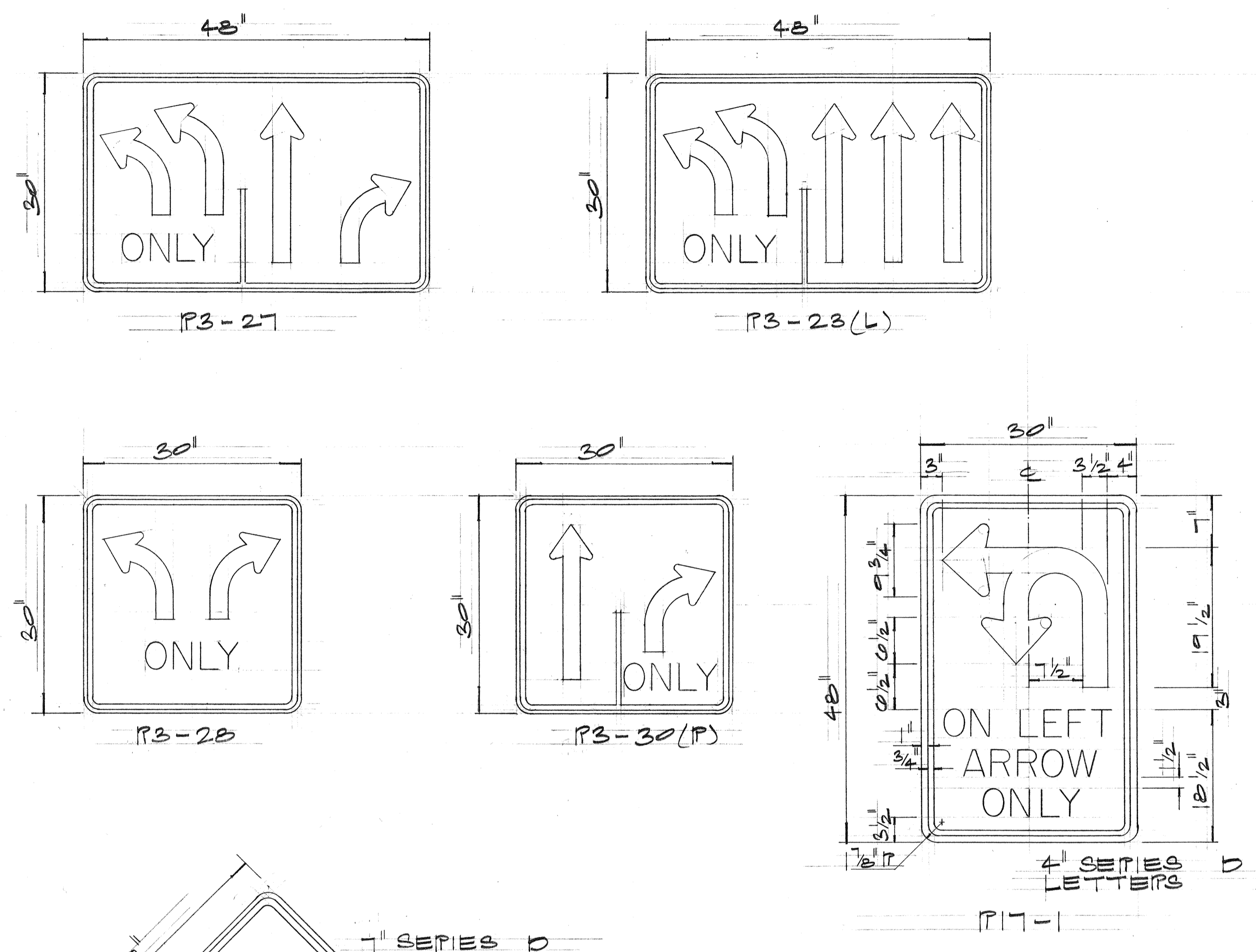
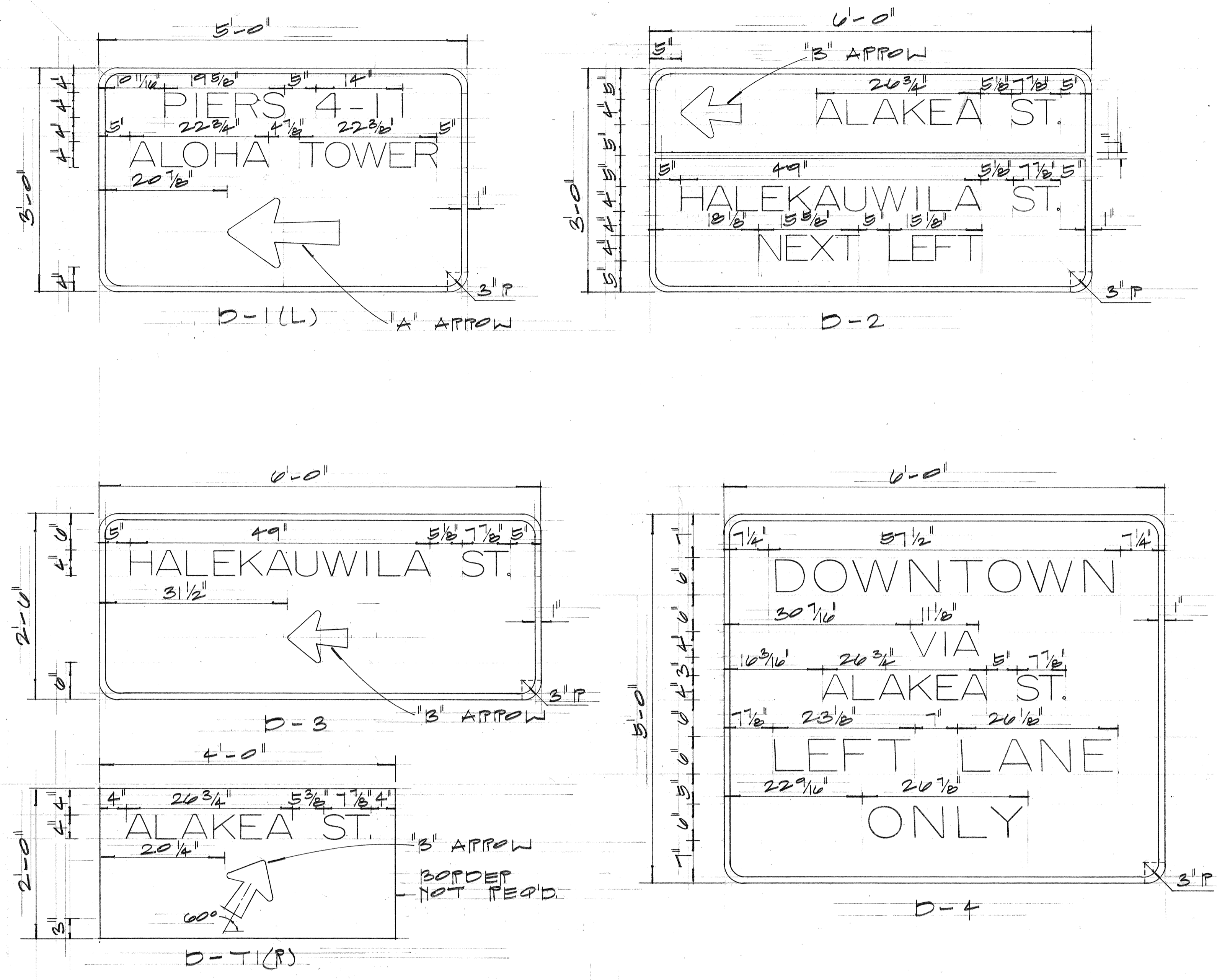
SUMMARY OF NEW GUIDE SIGNS

TYPE	DESCRIPTION	APEA (SQ. FT.)
D-1(L)	PIEPS 4-11, ALOHA TOWER	15.0
D-1(P)	PIEPS 4-11, ALOHA TOWER	15.0
D-2	ALAKEA ST., HALEKUAWILA ST.	18.0
D-3	HALEKUAWILA ST.	15.0
D-4	DOWNTOWN VIA ALAKEA ST., ETC.	30.0

DATE \_\_\_\_\_  
 CHECKED BY \_\_\_\_\_  
 DESIGNED BY \_\_\_\_\_  
 TRACED BY \_\_\_\_\_  
 DRAWN BY \_\_\_\_\_  
 SURVEY LOCATED BY \_\_\_\_\_  
 ORIGINAL PLAN NOTE BOOK No. \_\_\_\_\_

STATE OF HAWAII  
 DEPARTMENT OF TRANSPORTATION  
 HIGHWAYS DIVISION  
**NIMITZ HWY. REALIGNMENT**  
**SIGNING & PAVEMENT MARKING SUMMARIES**  
 PROJ. NO. EHS-U-092-1(II)  
 SCALE: AS SHOWN  
 SHEET No. 9 OF 19 SHEETS

FED. ROAD DIST. NO.	STATE	FED. AID PROJ. NO.	FISCAL YEAR	SHEET NO.	TOTAL SHEETS
HAWAII	HAW.	EHS-U-092-1(II)	1974	73	141



- NOTE:**
- DIRECTIONAL SIGNS (D) SHALL CONFORM TO PLANS & SPECIFICATIONS FOR REGULATORY & WARNING SIGNS EXCEPT AS NOTED.
  - LETTERING SHALL CONFORM TO BOP MANUAL STANDARD ALPHABETS FOR HIGHWAY SIGNS, 1966. USE SERIES 'E' MODIFIED LETTERS.
  - ARROWS & BORDERS SHALL CONFORM TO DETAILS AS SHOWN ON PLANS.
  - LEGEND, ARROWS & BORDERS SHALL BE REFLECTORIZED WHITE ON REFLECTORIZED GREEN BACKGROUND.
  - FOR MOUNTING DETAILS SEE PLAN SHT. #76.
  - FOR TEMPORARY DIRECTIONAL SIGN, D-TI(P&L), SIGN PLATE SHALL BE 3/4" WEATHERPROOF PLYWOOD OR 0.100" SHEET ALUMINUM.

- NOTE:**
- SIGNS SHALL CONFORM TO SPECIFICATIONS FOR REGULATORY & WARNING SIGNS, FOR DETAILS SEE PLAN SHTS #70, 11, & 18.
  - SIGNS P3-23, P3-27, P3-28 & P3-30 ARE VARIATIONS OF SIGN P3-8. PLATE & ARROW DETAILS SHALL CONFORM TO SIGN P3-8.

ARROW TYPE	ARROW DIMENSIONS IN INCHES						
	A	B	C	D	E	F	P
'A'	1 1/4	2 3/4	3 1/8	3 7/8	7/8	1 3/4	5/8
'B'	2 1/16	5 1/16	2 5/16	2 5/16	5/8	9 1/16	1/2

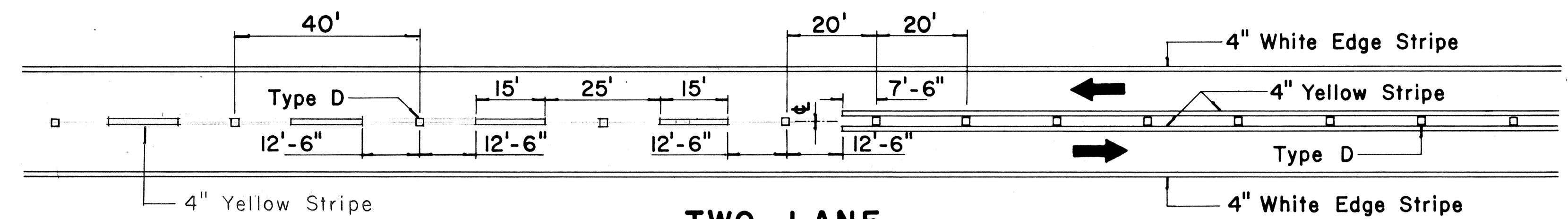
ARROW DETAIL

DATE: \_\_\_\_\_  
 DESIGNED BY: \_\_\_\_\_  
 CHECKED BY: \_\_\_\_\_  
 DRAWN BY: \_\_\_\_\_  
 TRACED BY: \_\_\_\_\_  
 GENERAL NOTE BOOK No. \_\_\_\_\_

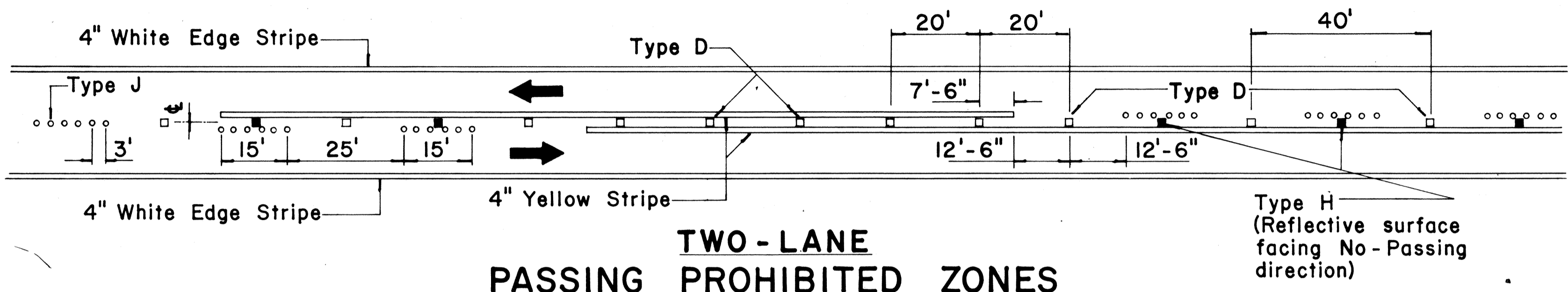
STATE OF HAWAII  
 DEPARTMENT OF TRANSPORTATION  
 HIGHWAYS DIVISION  
**NIMITZ HWY. REALIGNMENT**  
**SIGN DETAILS**  
 PROJ. NO. EHS-U-092-1(II)  
 SCALE: AS SHOWN  
 SHEET No. 10 OF 19 SHEETS



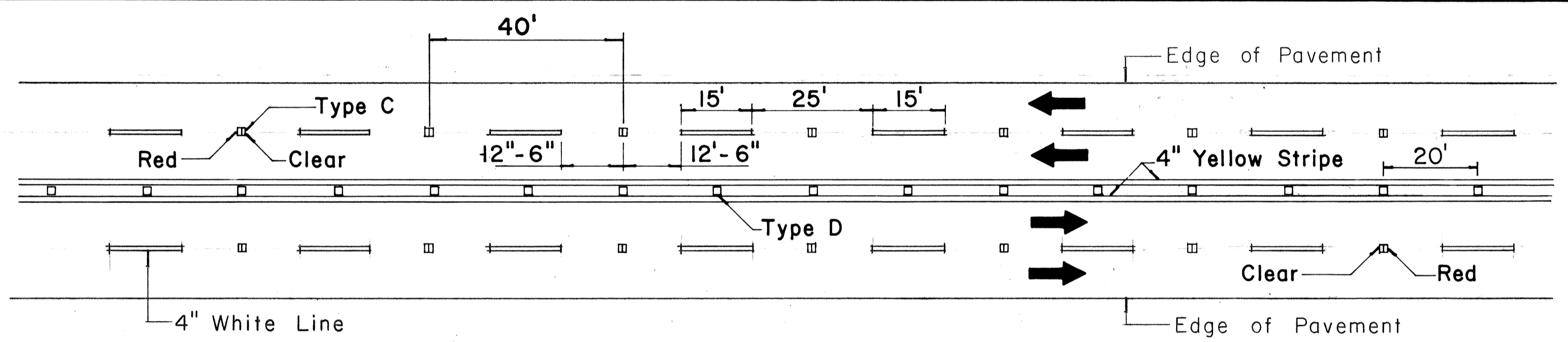
FED. ROAD DIST. NO.	STATE	FED. AID PROJ. NO.	FISCAL YEAR	SHEET NO.	TOTAL SHEETS
HAWAII	HAW.	EHS-U-092-1(11)	1974	75	141



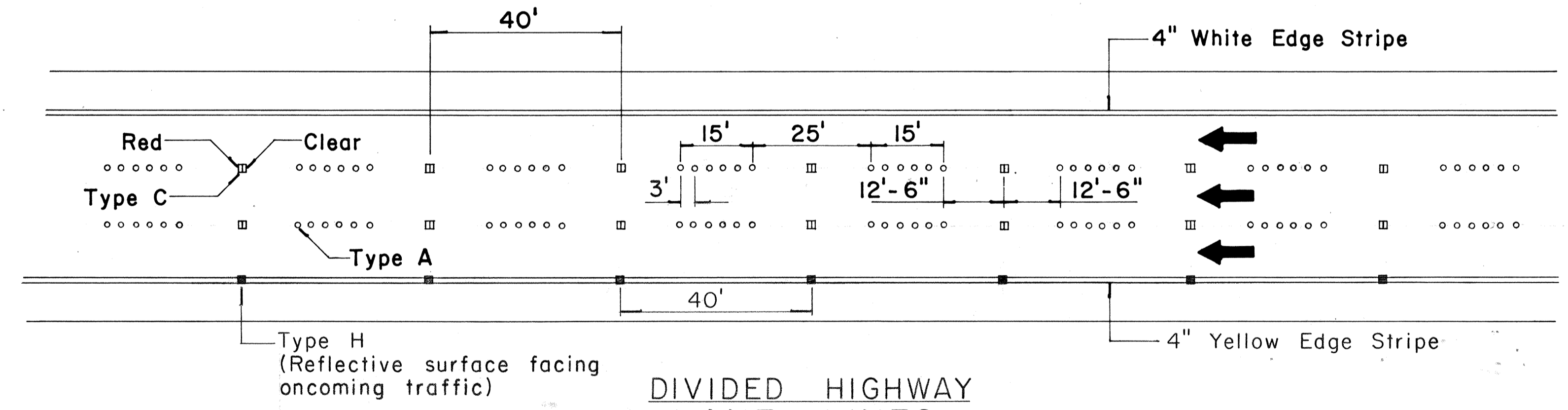
**TWO-LANE  
PASSING PERMITTED AND PASSING PROHIBITED**



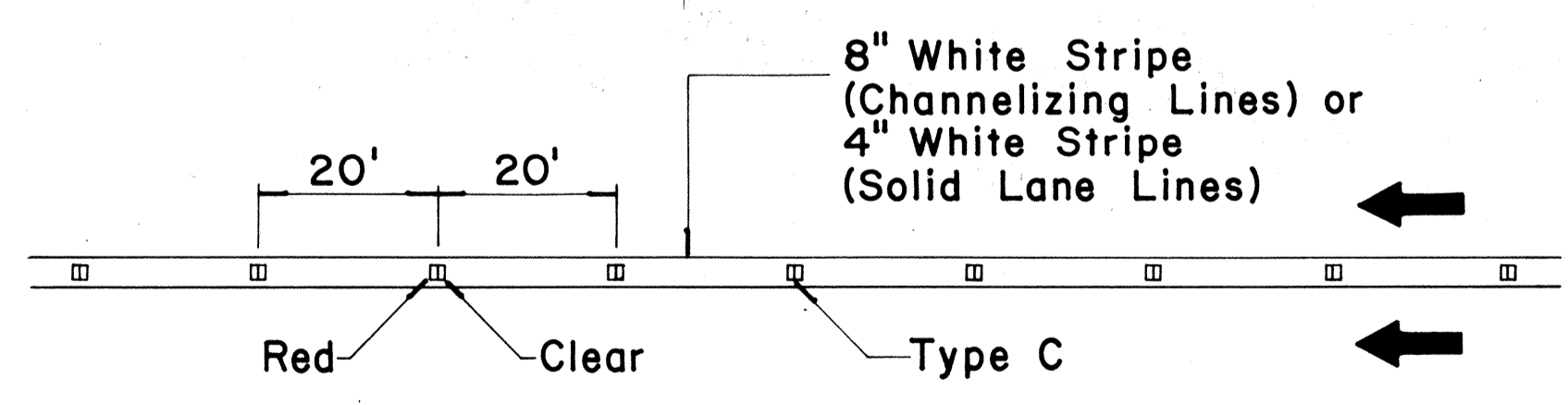
**TWO-LANE  
PASSING PROHIBITED ZONES**



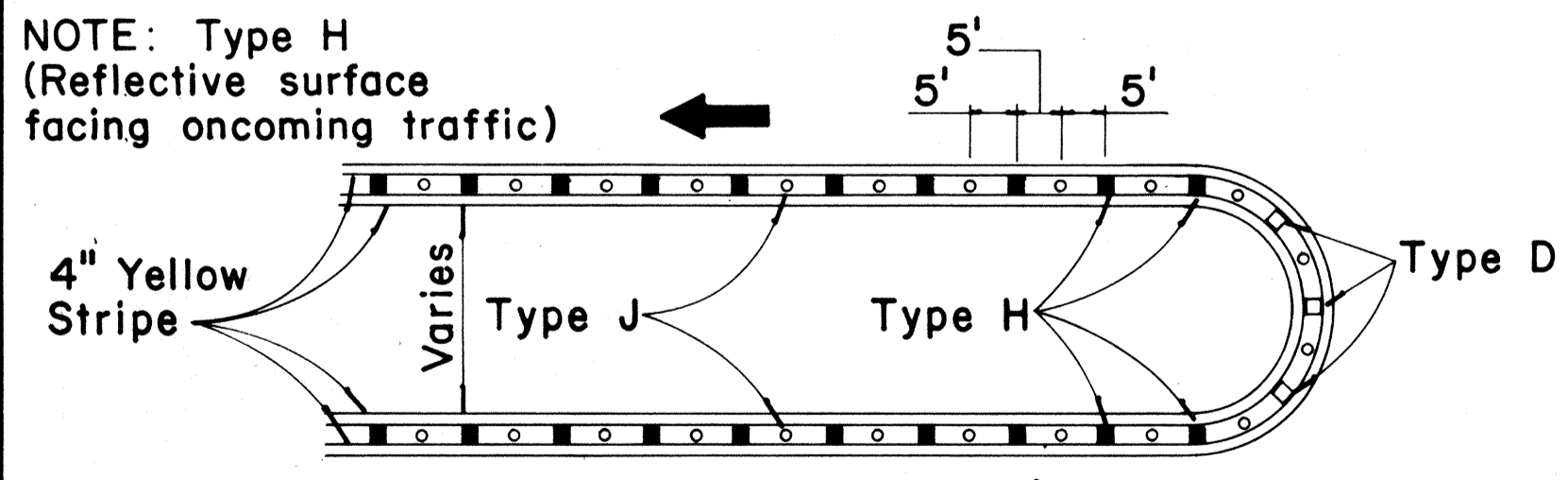
**MULTI-LANE  
LANE LINES AND CENTER LINE**



**DIVIDED HIGHWAY  
LANE LINES**



**CHANNELIZING LINES  
OR SOLID LANE LINES**



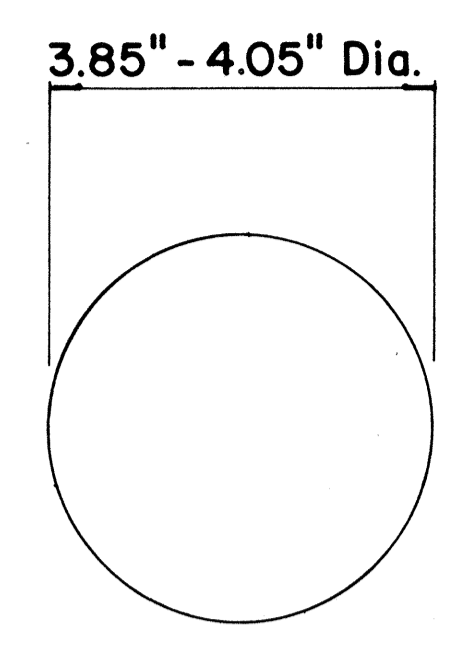
**MEDIAN NOSE DELINEATION**

TWO - LANE

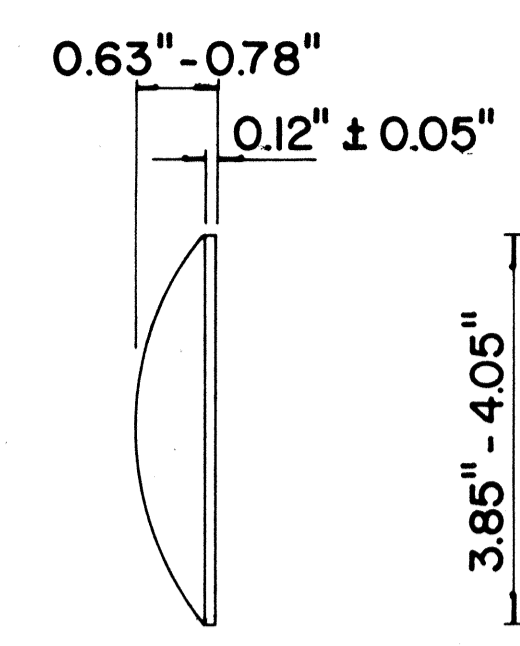
MULTI - LANE

DIVIDED HIGHWAY

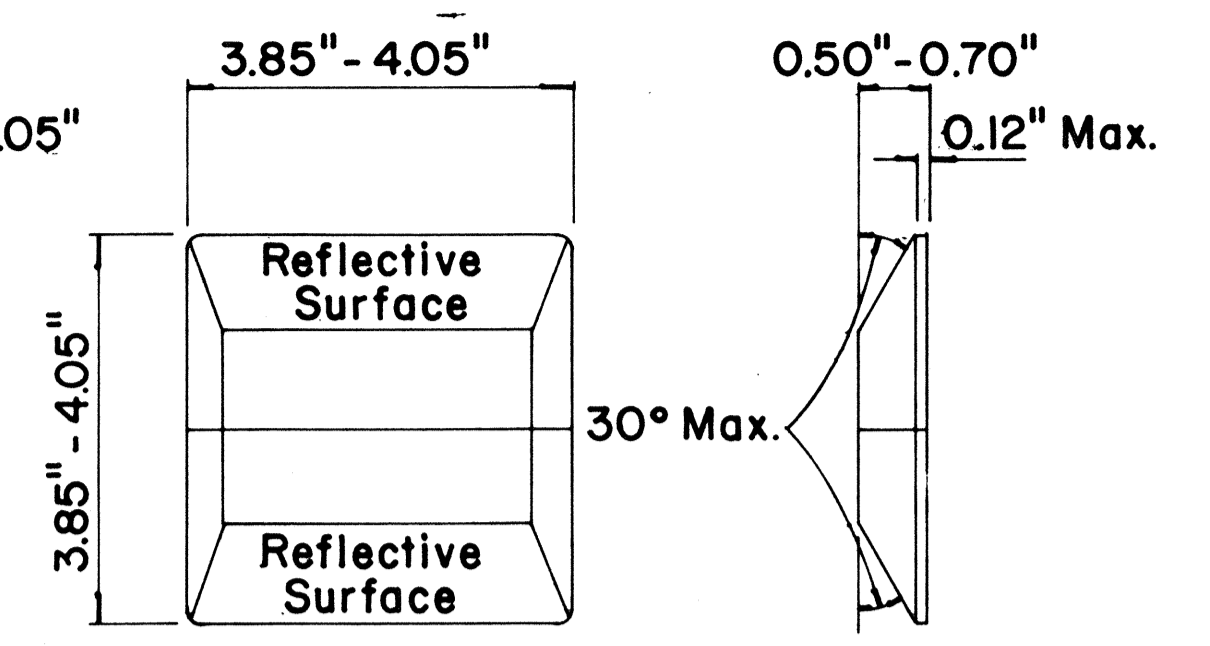
MISCELLANEOUS



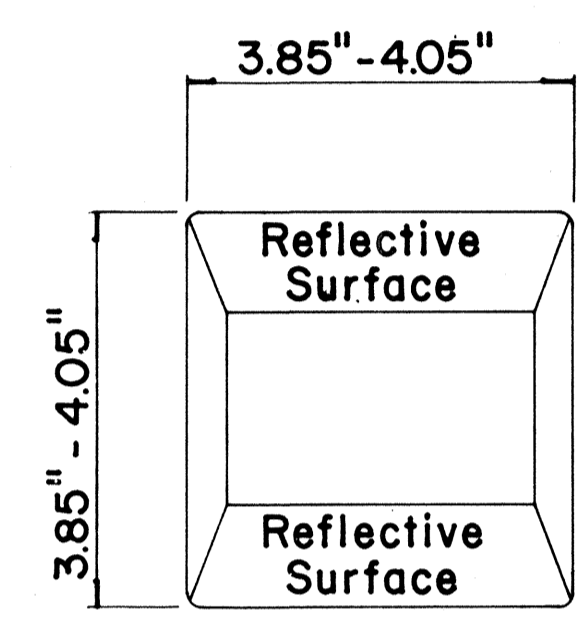
**TYPE A  
NON-REFLECTIVE WHITE MARKER**



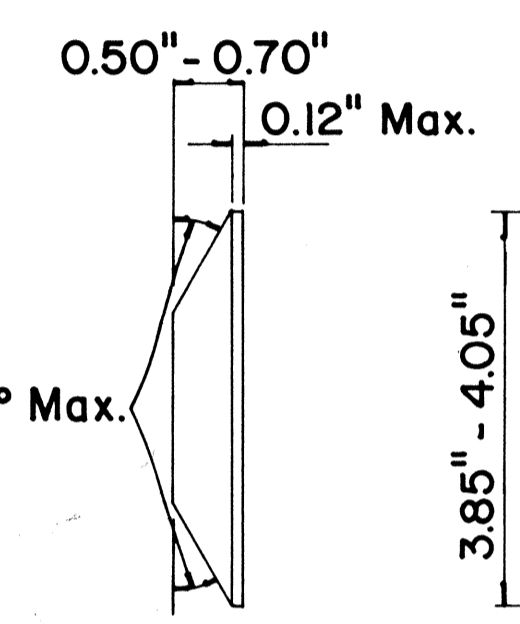
**TYPE J  
NON-REFLECTIVE YELLOW MARKER**



**TYPE C  
RED-CLEAR REFLECTIVE MARKER**



**TYPE D  
TWO-WAY YELLOW REFLECTIVE MARKER**



**TYPE H  
ONE-WAY YELLOW REFLECTIVE MARKER**

NOTE:  
Striping to be done by Contractor

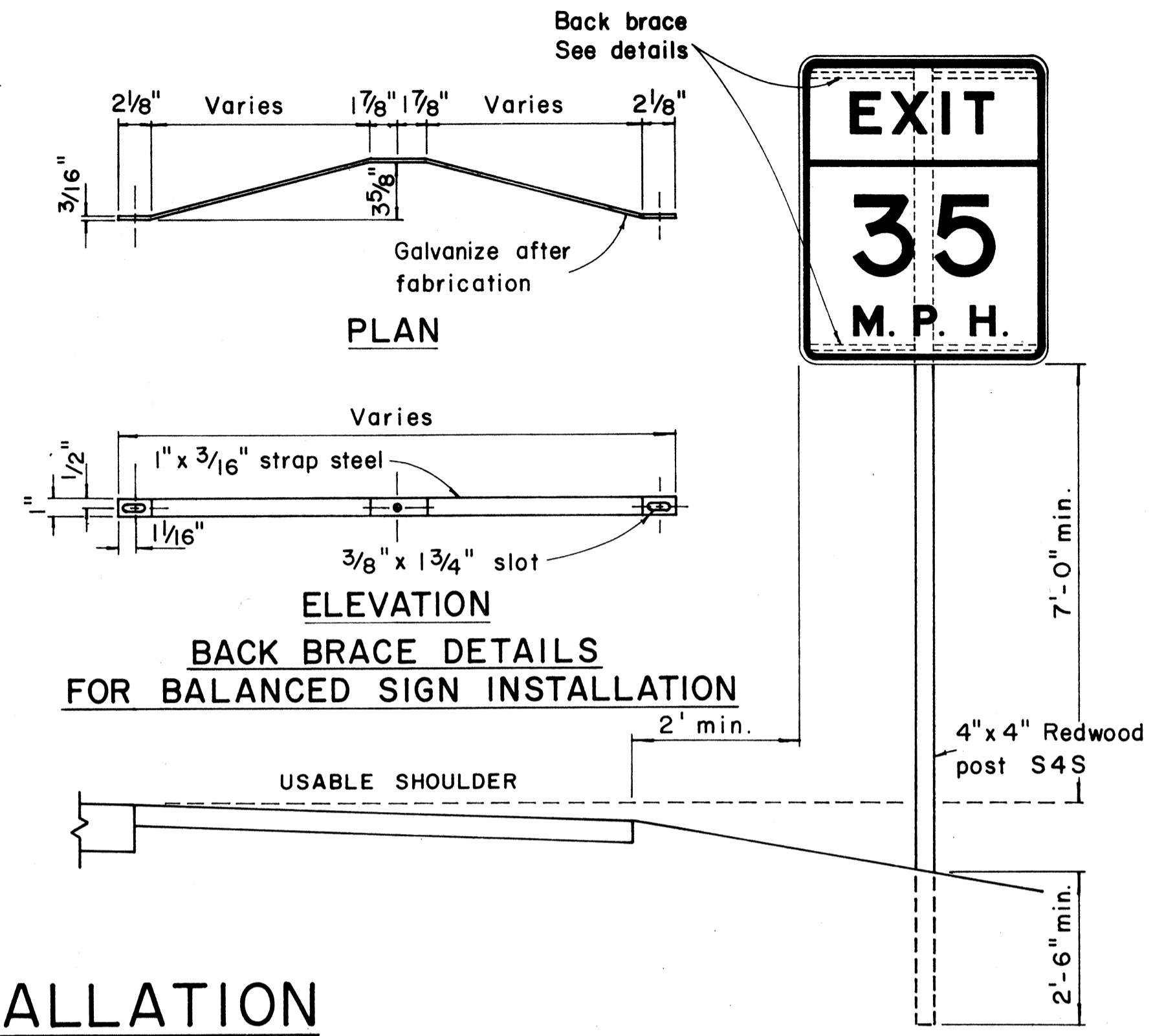
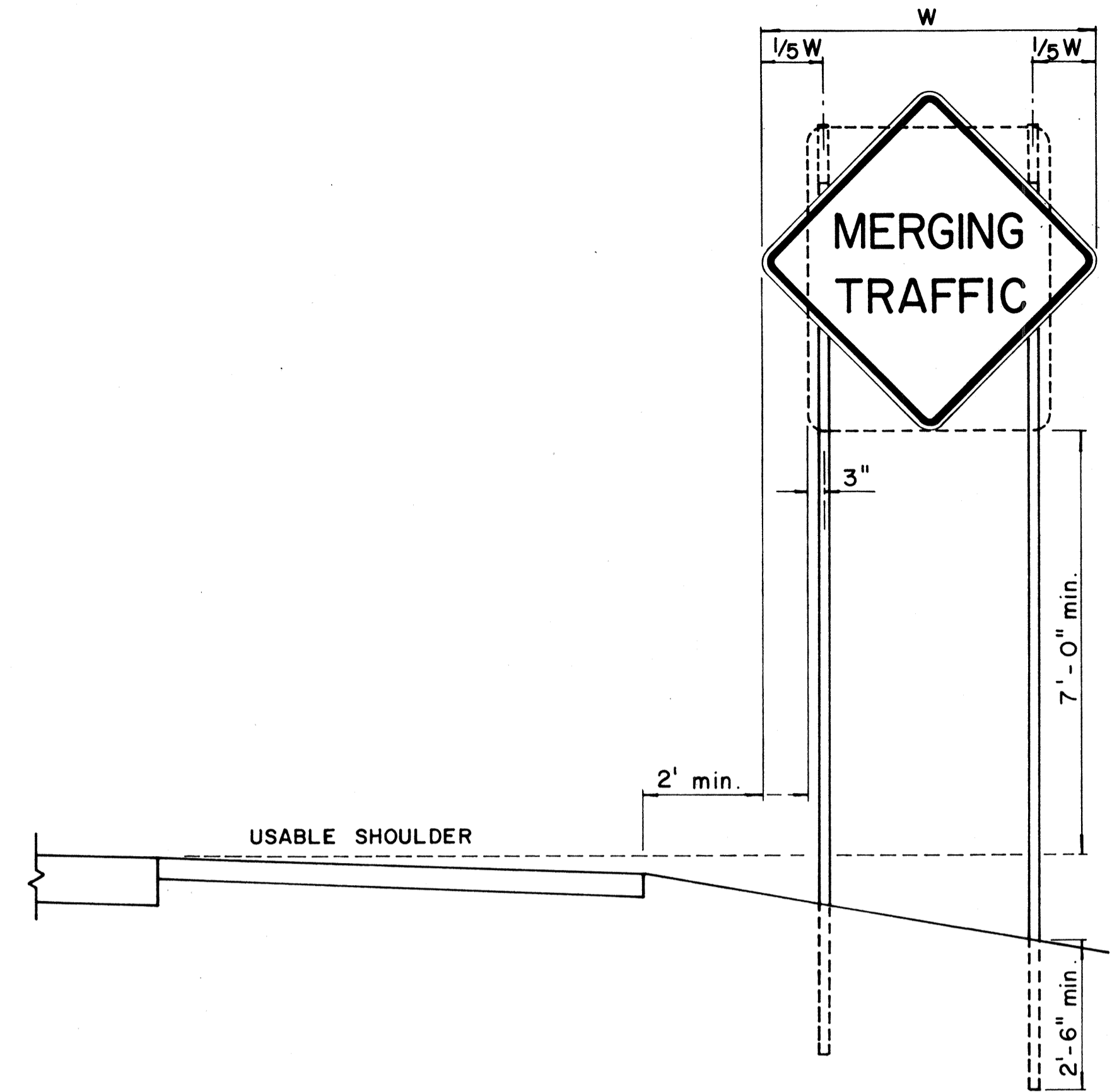
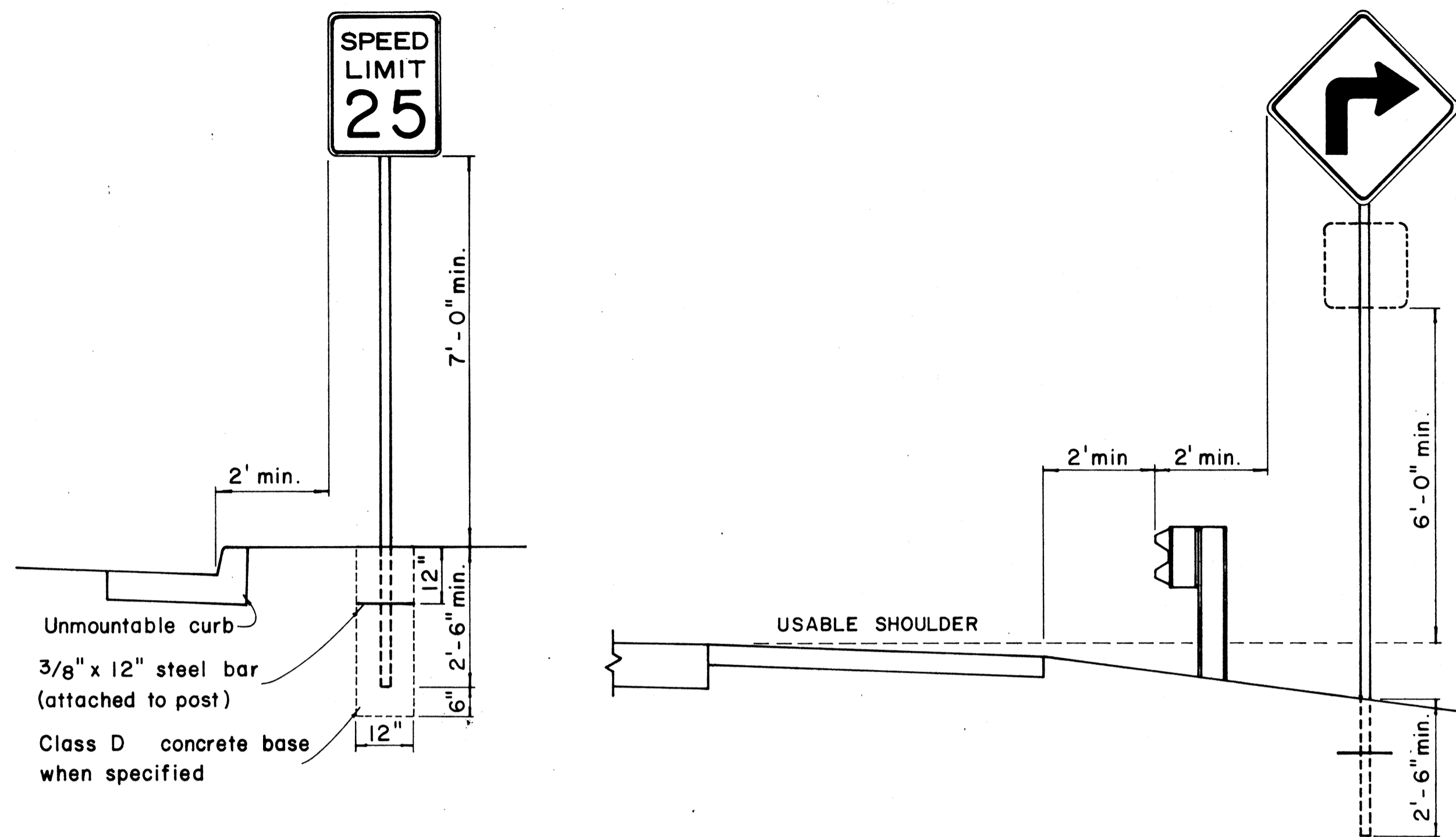
STATE OF HAWAII  
DEPARTMENT OF TRANSPORTATION  
HIGHWAYS DIVISION

TYPICAL DETAILS  
**RAISED PAVEMENT MARKERS**

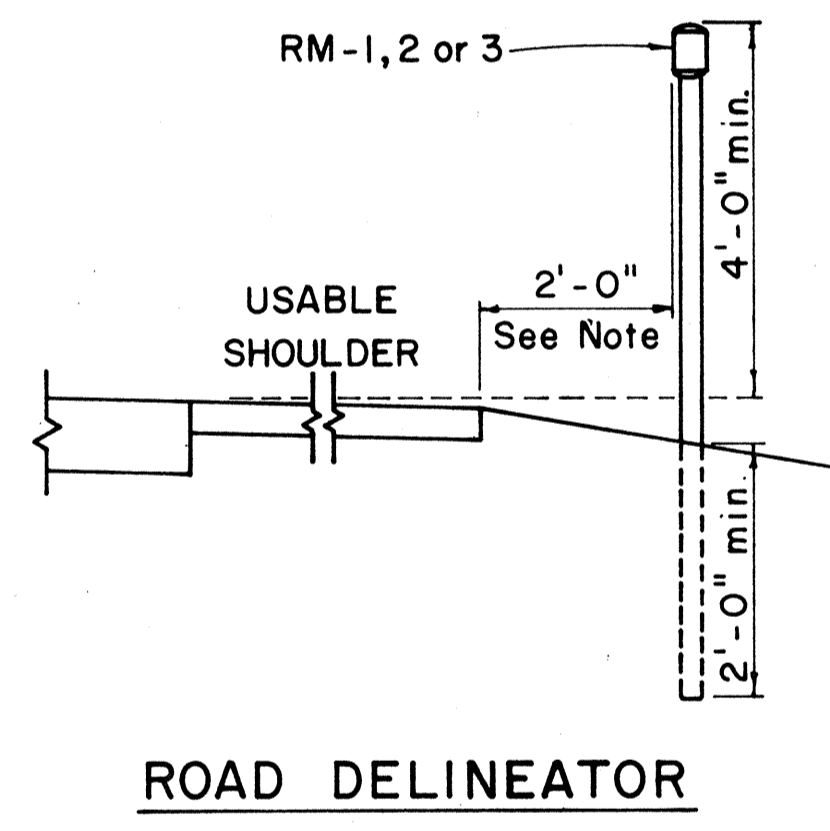
Not to Scale  
SHEET No. 12 OF 19 SHEETS

DATE: \_\_\_\_\_  
SURVEY PLOTTED BY: \_\_\_\_\_  
DRAWN BY: \_\_\_\_\_  
CHECKED BY: \_\_\_\_\_  
ORIGINAL PLAN No. \_\_\_\_\_  
NOTE BOOK No. \_\_\_\_\_

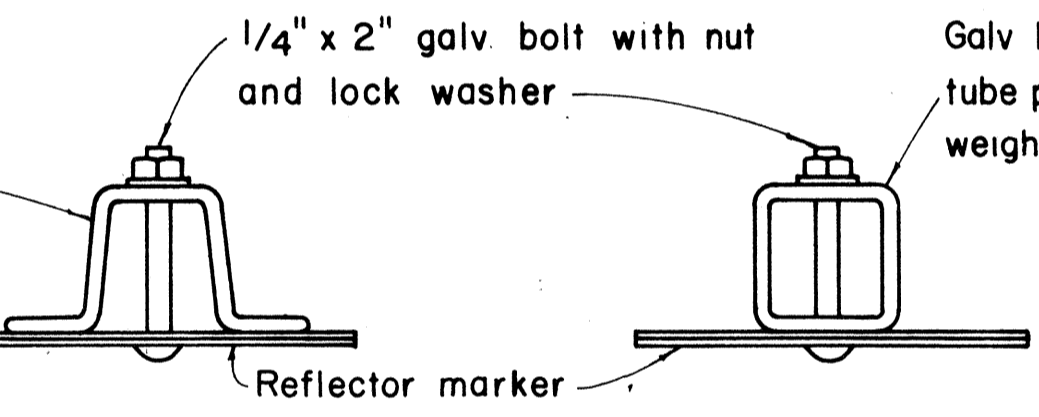
FED. ROAD DIST. NO.	STATE	FED. AID PROJ. NO.	FISCAL YEAR	SHEET NO.	TOTAL SHEETS
HAWAII	HAW.	EH5-U-092-1(11)	1974	76	141



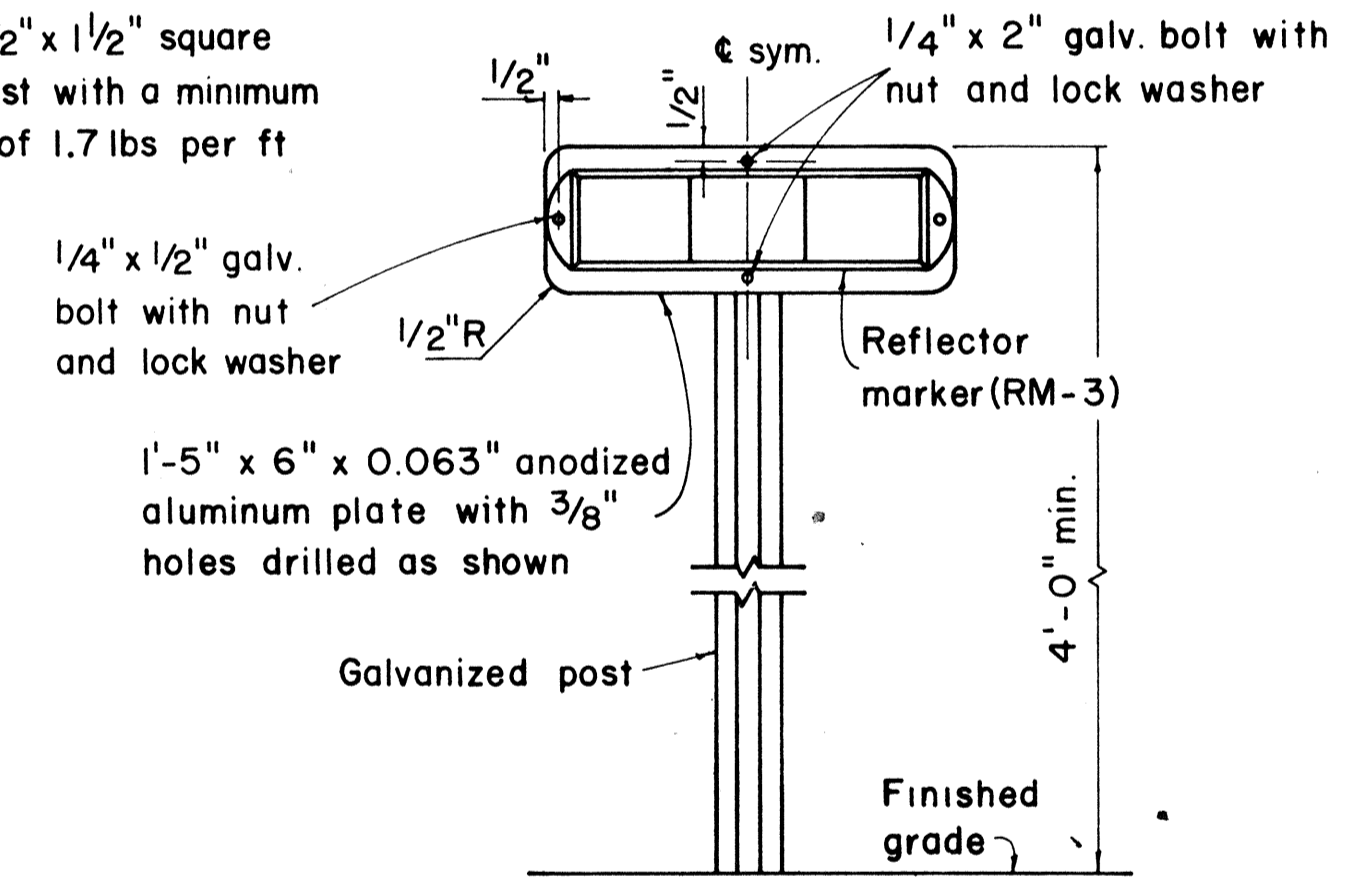
## HEIGHT AND LATERAL LOCATION OF SIGNS - TYPICAL INSTALLATION



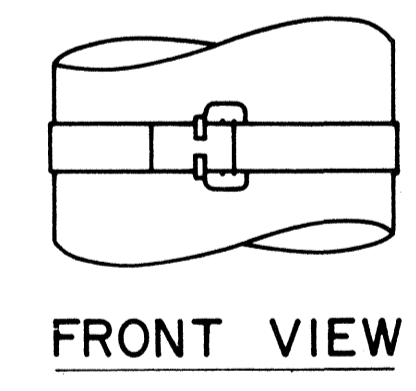
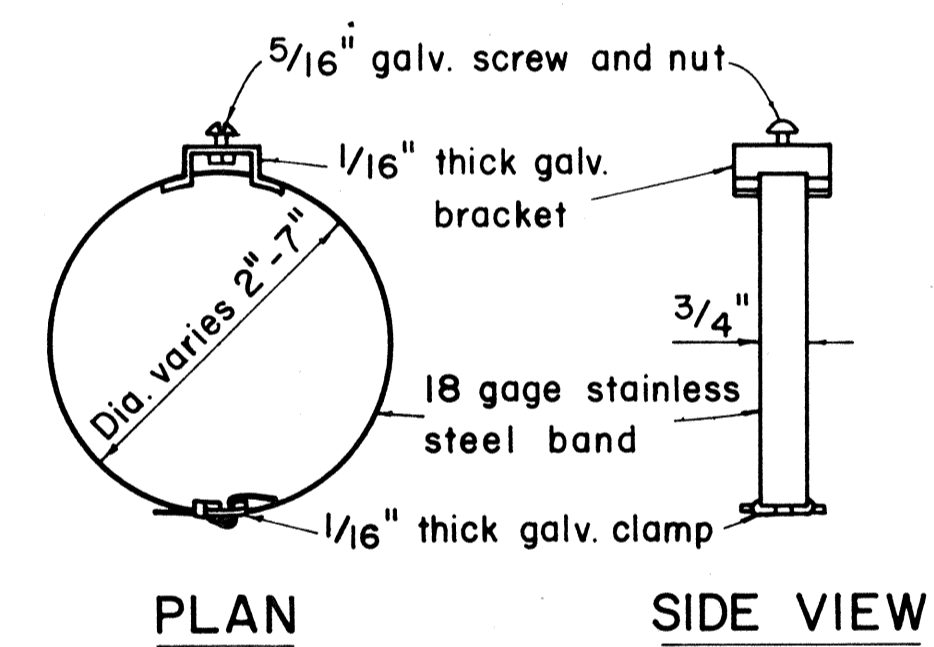
Galv. flanged channel 1/8" x 3/16" rolled section post with a minimum weight of 2 lbs. per ft.. Upper 2 ft. shall have a single row of 3/8" holes centered in the web at 1" o.c.



TYPICAL SECTION OF ROAD DELINEATOR



TYPICAL DETAIL  
HORIZONTAL REFLECTOR MARKER  
RM-3H



TYPICAL BAND BRACKET FOR  
MOUNTING TRAFFIC SIGNS

- GENERAL NOTES:**
- Sign posts shall be 2" galv. standard pipe or 2" x 2" galv. sq. tube post.
  - Signs 48" and wider or larger than 10 sq. ft. in area shall be mounted on two 2" galv. standard pipe or two 2" x 2" galv. sq. tube post or 4" x 4" redwood post S4S.
  - Signs shall be attached to post with 5/16" galv. bolts with nuts and 7/8" x 0.06 stainless steel washers with neoprene rubber gasket.
  - Sign posts shall extend 3 1/2" above sign where required for City and County street name signs.
  - Reflector markers RM-1, 2, 3 shall be glass sphere reflector markers with 4" x 5" reflector units (as shown) or plastic prismatic reflector markers with 3" diameter reflector units.
  - Clearance markers (RM-3, RM-4) shall be installed with the edge of the marker in line with the inner edge of the obstruction.
  - (R) or (L) indicates right or left and shall be as shown on the plans.

APPROVAL RECOMMENDED:  
*Erich Tanaka* 12/29/69  
TRAFFIC ENGINEER DATE

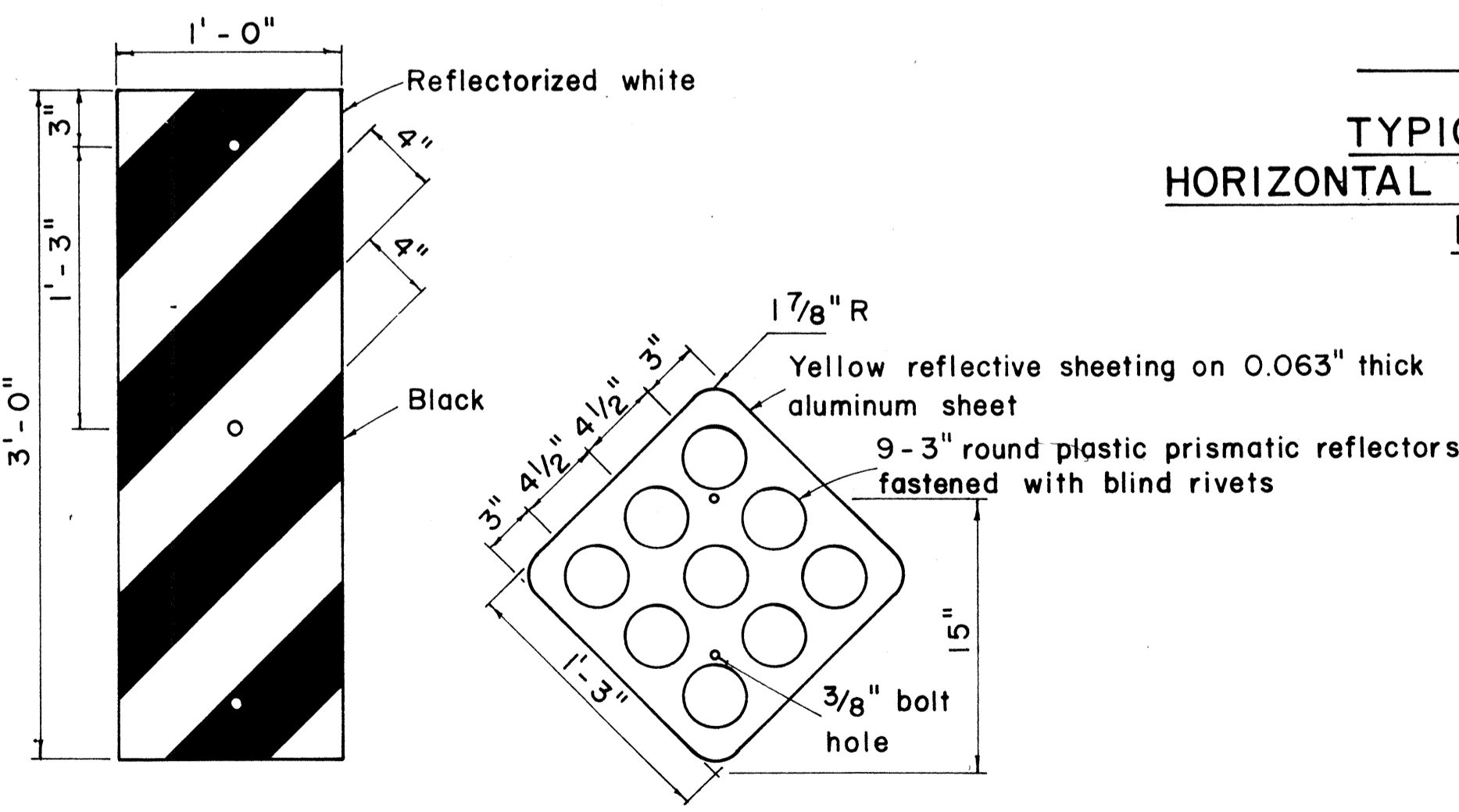
APPROVED:  
*[Signature]* 12-30-69  
ASSISTANT CHIEF, ENGINEERING DATE

NO.	REVISION	APPROVED BY	DATE

STATE OF HAWAII  
DEPARTMENT OF TRANSPORTATION  
HIGHWAYS DIVISION

**STANDARD DETAILS**  
MISCELLANEOUS SIGN DETAILS

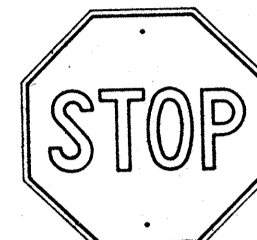
Not to scale March, 1968



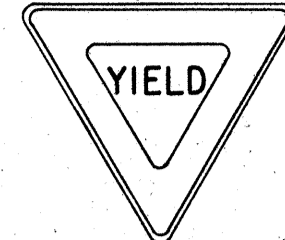
REFLECTOR MARKERS

DATE  
 CHECKED BY  
 DESIGNED BY  
 DRAWN BY  
 REVISIONS  
 ORIGINAL PLAN  
 NO.

FED. ROAD DIST. NO.	STATE	FED. AID PROJ. NO.	FISCAL YEAR	SHEET NO.	TOTAL SHEETS
HAWAII	HAW.	EH6-U-092-1(11)	1974	77	141



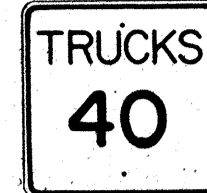
R1-1 30"x30"  
R1-1-A 36"x36"  
4-WAY  
R1-3 12"x6"  
R1-3-A 18"x9"



R1-2 36"x36"x36"  
R1-2-A 48"x48"x48"



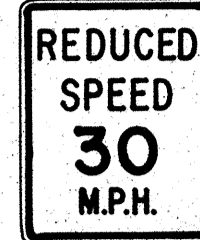
R2-1(50) 24"x30"  
R2-1(50)-A 48"x60"



R2-2(40) 24"x24"  
R2-2(40)-A 48"x48"



R2-4a(50/40) 24"x48"  
R2-4a(50/40)-A 48"x96"  
R2-5b(30) 24"x30"  
R2-5b(30)-A 48"x60"



R3-1 24"x24"  
24"x18"  
R3-1-A 48"x48"  
48"x36"



R3-2 24"x24"  
24"x18"  
R3-2-A 48"x48"  
48"x36"



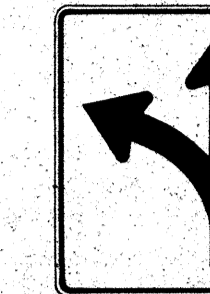
R3-3 24"x24"  
R3-3-A 48"x48"



R3-4 24"x24"  
24"x18"  
R3-4-A 48"x48"  
48"x36"



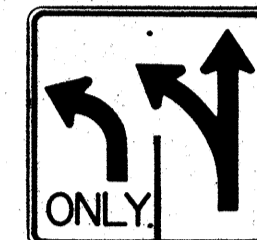
R3-5(L) 30"x36"  
R3-5(L)-A 48"x60"



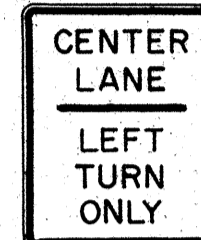
R3-6(L) 30"x36"  
R3-6(L)-A 48"x60"



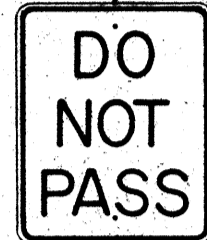
R3-7(R) 30"x30"  
R3-7(R)-A 48"x48"



R3-8(L) 30"x30"  
R3-8(L)-A 36"x36"  
R3-8(L)-B 48"x48"



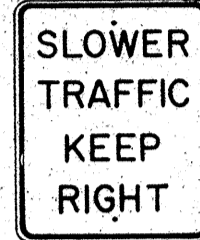
R3-9 24"x30"



R4-1 24"x30"



R4-2 24"x30"



R4-3 24"x30"  
R4-3-A 48"x60"



R4-5 24"x30"



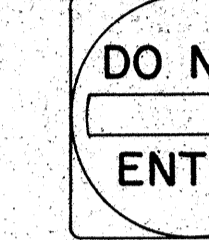
R4-6(500) 24"x30"



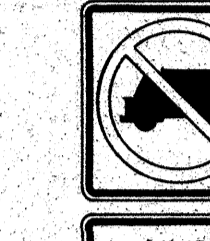
R4-7 24"x30"  
24"x18"



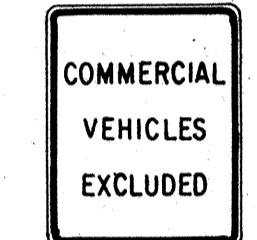
R4-8 24"x30"  
24"x18"



R5-1 30"x30"  
R5-1-A 48"x48"



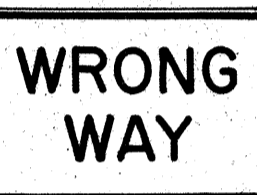
R5-2 24"x24"  
24"x18"



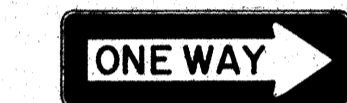
R5-4 24"x30"



R5-6 24"x24"  
24"x18"



R5-9 36"x24"



R6-1(R) 36"x12"



R6-2(R) 18"x24"



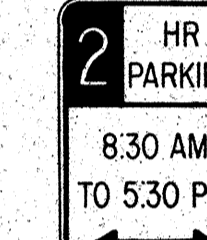
R7-1 12"x18"  
R7-1-A 24"x30"



R7-4 12"x18"  
R7-4-A 24"x30"



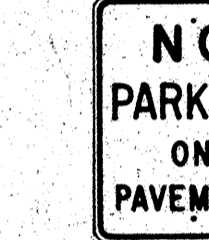
R7-107(R) 12"x18"



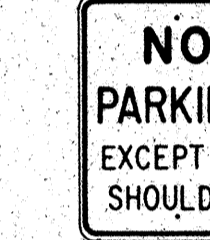
R7-108 12"x18"



R7-201 12"x6"  
R7-201-A 24"x12"



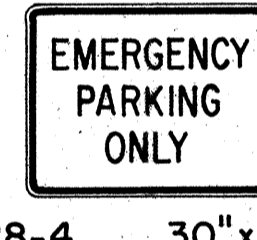
R8-1 24"x30"



R8-2 24"x30"



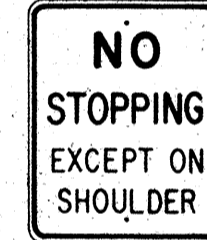
R8-3 24"x30"



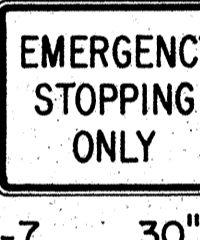
R8-4 30"x24"  
R8-4-A 48"x36"



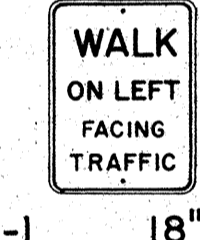
R8-5 24"x30"



R8-6 24"x30"



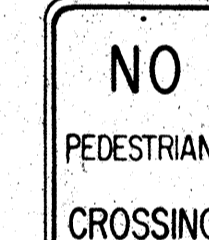
R8-7 30"x24"  
R8-7-A 48"x36"



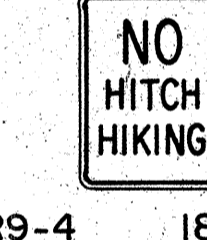
R9-1 18"x24"



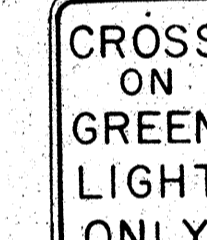
R9-2 12"x18"



R9-3 12"x18"



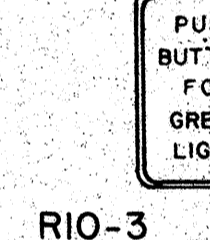
R9-4 18"x24"



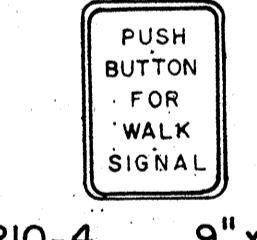
R10-1 12"x18"



R10-2 12"x18"



R10-3 9"x12"



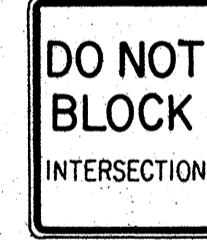
R10-4 9"x12"



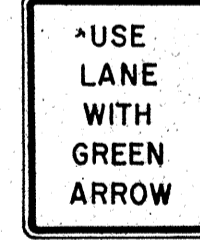
R10-5 24"x30"



R10-6 24"x36"



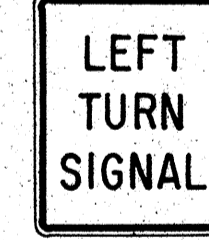
R10-7 24"x30"



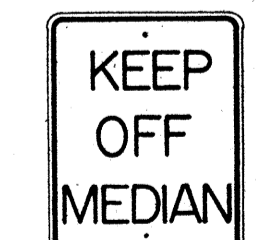
R10-8 24"x30"



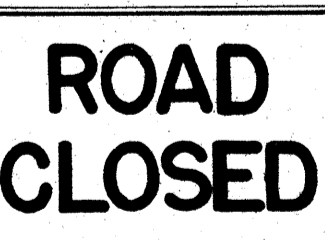
R10-9 24"x30"



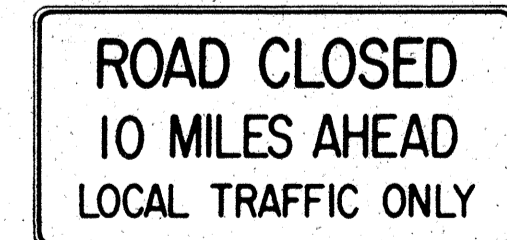
R10-10 24"x30"



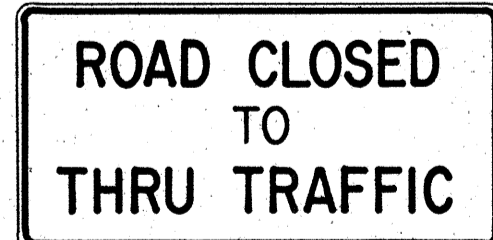
R11-1 24"x30"



R11-2 48"x30"



R11-3(10) 60"x30"



R11-4 60"x30"



R12-1(10) 24"x30"

**GENERAL NOTES**

1. Sign details shall conform to the FHWA publications "Manual on Uniform Traffic Control Devices for Streets and Highways," 1971, and "Standard Highway Signs," 1972, and as amended.
2. All regulatory signs shall be reflectorized unless otherwise specified.
3. All regulatory signs shall have 3/8" bolt holes drilled at appropriate locations.
4. Numerals in ( ) indicates numerals to be inserted for sign message. (R) or (L) indicates right or left.

APPROVAL RECOMMENDED:  
*Eisaku Tanaka* 3/17/72  
TRAFFIC ENGINEER DATE

APPROVED:  
*Robert J. Sals...* 3-20-72  
ASSISTANT CHIEF, ENGINEERING DATE

NO.	REVISION	APPROVED BY	DATE
1	Supersedes Sht. DT 101 Approved 12-30-69	H.F.	3/20/72
2	Revised General Note 1.	H.F.	10/10/74

STATE OF HAWAII  
DEPARTMENT OF TRANSPORTATION  
HIGHWAYS DIVISION

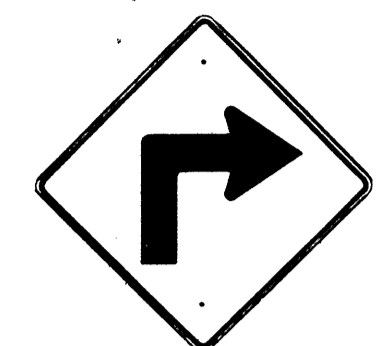
**STANDARD DETAILS**  
**REGULATORY SIGNS**

NOT TO SCALE

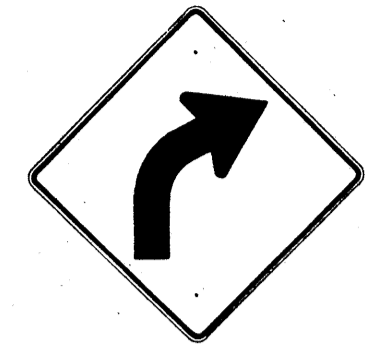
SHEET No. 14 OF 19 SHEETS DT 101

DATE  
SURVEY PLOTTED BY  
DESIGNED BY  
NOTE BOOK  
QUANTITIES BY  
CHECKED BY  
No.

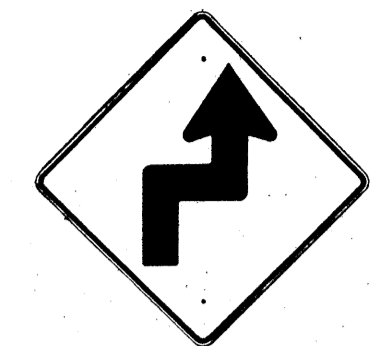
FED. ROAD DIST. NO.	STATE	FED. AID PROJ. NO.	FISCAL YEAR	SHEET NO.	TOTAL SHEETS
HAWAII*	HAW.	EHS-U-092-1(11)	1974	78	141



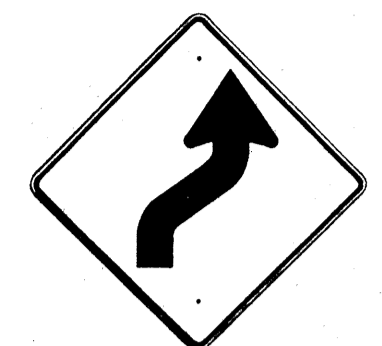
W1-1(R) 30"x30"  
W1-1(R)-A 48"x48"



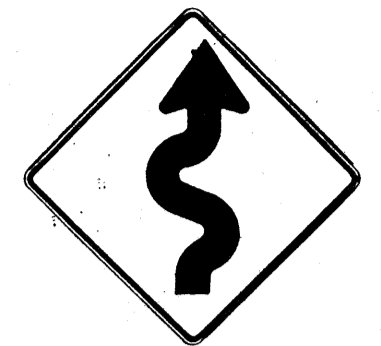
W1-2(R) 30"x30"  
W1-2(R)-A 48"x48"



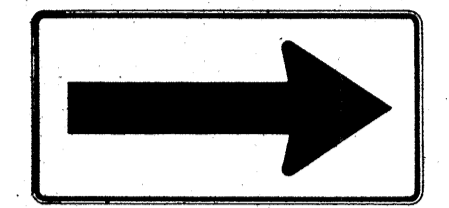
W1-3(R) 30"x30"  
W1-3(R)-A 48"x48"



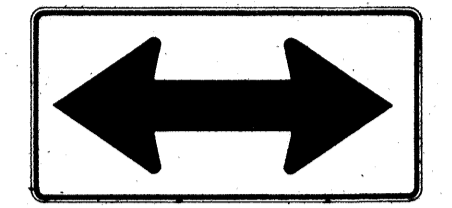
W1-4(R) 30"x30"  
W1-4(R)-A 48"x48"



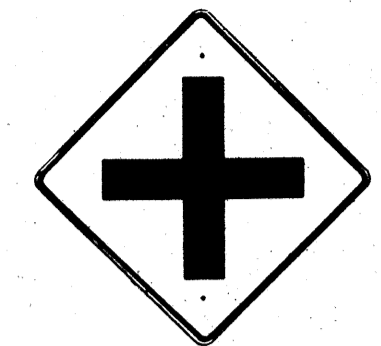
W1-5(R) 30"x30"  
W1-5(R)-A 48"x48"



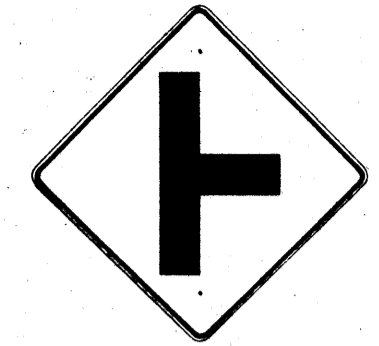
W1-6 48"x24"



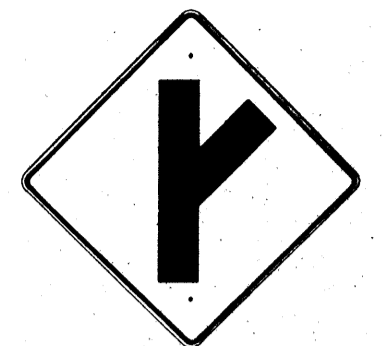
W1-7 48"x24"



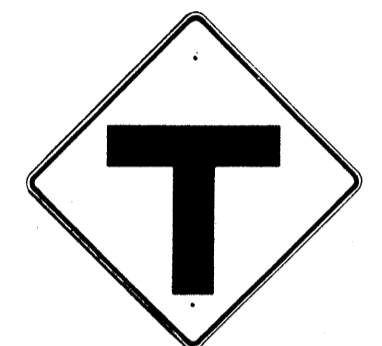
W2-1 30"x30"  
W2-1-A 48"x48"



W2-2 30"x30"  
W2-2-A 48"x48"



W2-3(R) 30"x30"  
W2-3(R)-A 48"x48"



W2-4 30"x30"  
W2-4-A 48"x48"



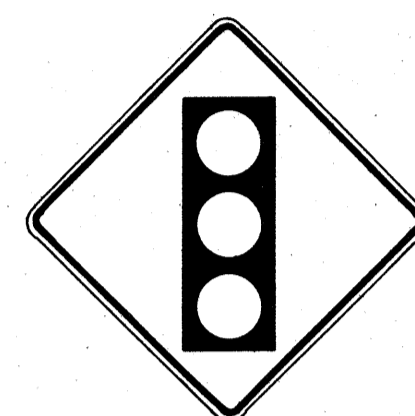
W2-5 30"x30"  
W2-5-A 48"x48"



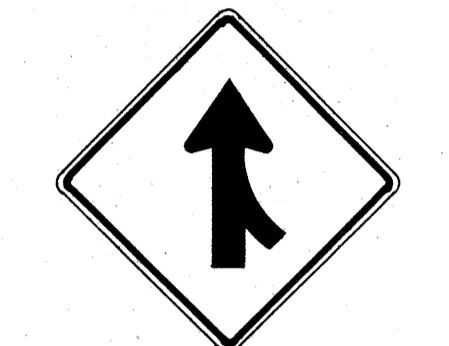
W3-1 30"x30"  
W3-1-A 36"x36"



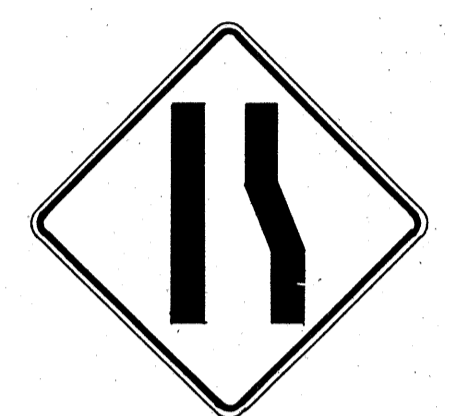
W3-2 30"x30"  
W3-2-A 36"x36"



W3-3 36"x36"  
24"x18"



W4-1(R) 30"x30"  
24"x18"  
W4-1(R)-A 48"x48"  
24"x18"



W4-2(R) 36"x36"  
W4-2(R)-A 48"x48"



W5-1 36"x36"



W5-2 30"x30"  
W5-2-A 36"x36"



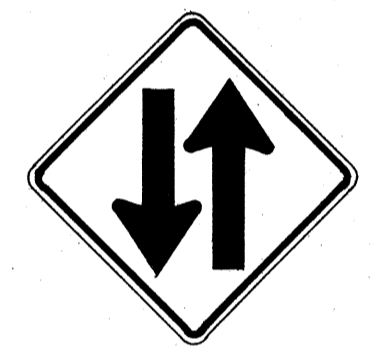
W5-3 36"x36"



W6-1 36"x36"  
24"x18"



W6-2 36"x36"  
24"x18"



W6-3 30"x30"  
24"x18"  
W6-3-A 36"x36"  
24"x18"  
W6-3-B 48"x48"  
24"x18"



W7-1 30"x30"  
24"x18"  
W7-1-A 36"x36"  
24"x18"



W7-2 24"x18"



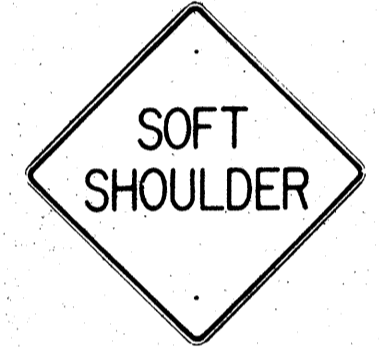
W8-1 30"x30"  
W8-1-A 36"x36"



W8-2 30"x30"  
W8-2-A 36"x36"



W8-3 30"x30"  
W8-3-A 36"x36"



W8-4 30"x30"  
W8-4-A 36"x36"



W8-5 30"x30"  
24"x18"  
W8-5-A 36"x36"  
24"x18"



W9-1(R) 30"x30"  
W9-1(R)-A 36"x36"  
W9-1(R)-B 48"x48"



W9-2(L) 36"x36"  
W9-2(L)-A 48"x48"



W10-1 36" Diameter



W11-1 30"x30"  
24"x18"  
W11-1-A 36"x36"  
24"x18"



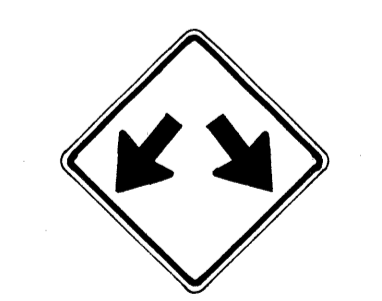
W11-2 30"x30"  
24"x18"  
W11-2-A 36"x36"  
24"x18"



W11-4 30"x30"  
24"x18"  
W11-4-A 36"x36"  
24"x18"



W11-5 30"x30"  
24"x18"  
W11-5-A 36"x36"  
24"x18"



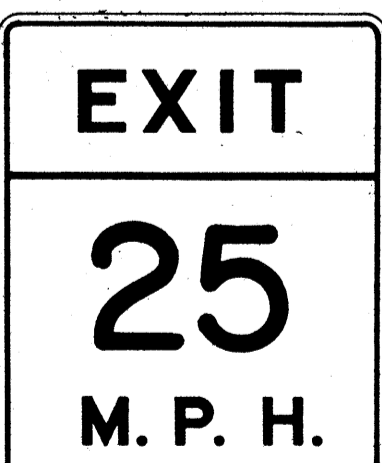
W12-1 24"x24"  
W12-1-A 36"x36"  
W12-1-B 48"x48"



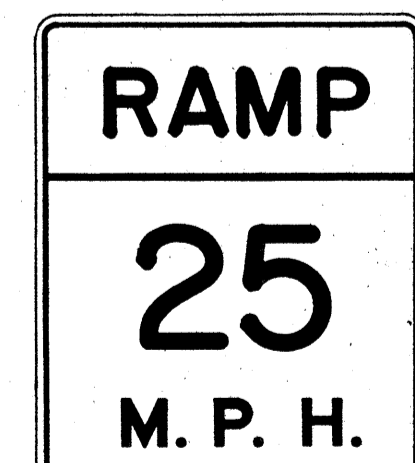
W12-2(12'-6") 36"x36"  
24"x18"



W13-1(25) 18"x18"  
W13-1(25)-A 24"x24"



W13-2(25) 48"x60"



W13-3(25) 48"x60"



W14-1 30"x30"



W14-3 36"x48"x48"

**GENERAL NOTES**

- Sign details shall conform to the FHWA publications "Manual on Uniform Traffic Control Devices for Streets and Highways," 1971, and "Standard Highway Signs," 1972, and as amended.
- All warning signs shall be reflectorized unless otherwise specified.
- All warning signs shall have 3/8" bolt holes drilled at appropriate locations.
- Numerals in ( ) indicates numerals to be inserted for sign message. (R) or (L) indicates right or left.
- Signs prefixed with "CW" on the plans shall indicate orange and black construction signs.

APPROVAL RECOMMENDED:  
*Eishi Tanaka*  
TRAFFIC ENGINEER  
DATE 3/17/72

APPROVED:  
*Shirley Belsin*  
ASSISTANT CHIEF, ENGINEERING  
DATE 3-20-72

NO.	REVISION	APPROVED BY	DATE
1	Supersedes Sht. DT 102 Approved 12-30-69	H.T.	3/20/72
2	Revised General Note 1	H.T.	10/6/74

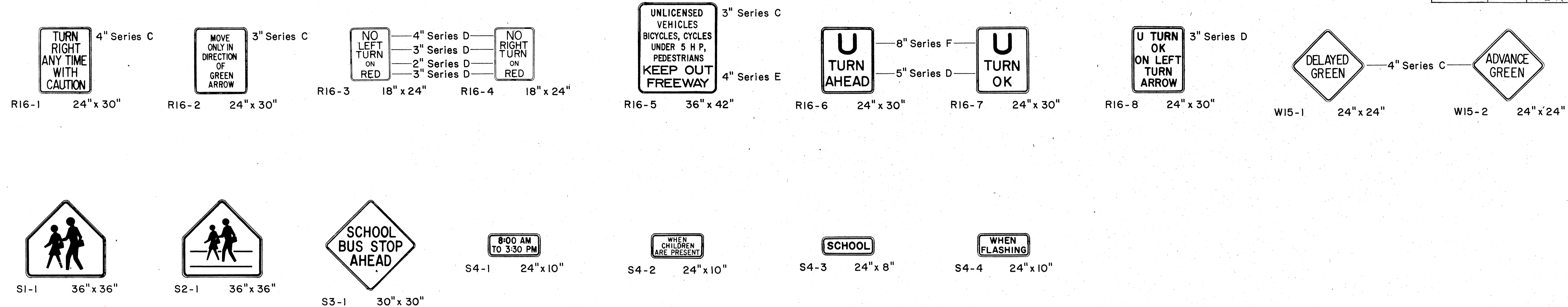
STATE OF HAWAII  
DEPARTMENT OF TRANSPORTATION  
HIGHWAYS DIVISION

**STANDARD DETAILS**  
**WARNING SIGNS**

NOT TO SCALE

DATE: \_\_\_\_\_  
SURVEY PLOTTED BY: \_\_\_\_\_  
DRAWN BY: \_\_\_\_\_  
DESIGNED BY: \_\_\_\_\_  
NOTE BOOK: \_\_\_\_\_  
QUANTITIES BY: \_\_\_\_\_  
CHECKED BY: \_\_\_\_\_  
No. \_\_\_\_\_

FED. ROAD DIST. NO.	STATE	FED. AID PROJ. NO.	FISCAL YEAR	SHEET NO.	TOTAL SHEETS
HAWAII	HAW.	E 46-U-092-1(11)	1974	79	141



**GENERAL NOTES**

1. Sign details shall conform to the FHWA publications "Manual on Uniform Traffic Control Devices for Streets and Highways," 1971, and "Standard Highway Signs," 1972, and as amended.
2. All regulatory and warning signs shall be reflectorized unless otherwise specified.
3. All regulatory and warning signs shall have 3/8" bolt holes drilled at appropriate locations.
4. Numerals in ( ) indicates numerals to be inserted for sign message. (R) or (L) indicates right or left.

DATE	.....
SURVEY PLOTTED BY	.....
DRAWN BY	.....
DESIGNED BY	.....
QUANTITIES BY	.....
CHECKED BY	.....
ORIGINAL PLAN	.....
NOTE BOOK	.....
No.	.....

APPROVAL RECOMMENDED:  
*Eiichi Tanaka* 3/17/72  
 TRAFFIC ENGINEER DATE

APPROVED:  
*Harold Zatsis* 3-20-72  
 ASSISTANT CHIEF, ENGINEERING DATE

NO.	REVISION	APPROVED BY	DATE
1	Supersedes Sht. DT 103 Approved 12-30-69	H.C.	3/20/72
2	Revised General Note 1	H.C.	10/16/74

STATE OF HAWAII  
 DEPARTMENT OF TRANSPORTATION  
 HIGHWAYS DIVISION

**STANDARD DETAILS**  
**MISCELLANEOUS**  
**REGULATORY & WARNING SIGNS**

NOT TO SCALE

FED. ROAD DIST. NO.	STATE	FED. AID PROJ. NO.	FISCAL YEAR	SHEET NO.	TOTAL SHEETS
HAWAII	HAW.	EHC-U-092-1(11)	1974	80	141



CW20-1a 48" x 48"



CW20-2d 48" x 48"



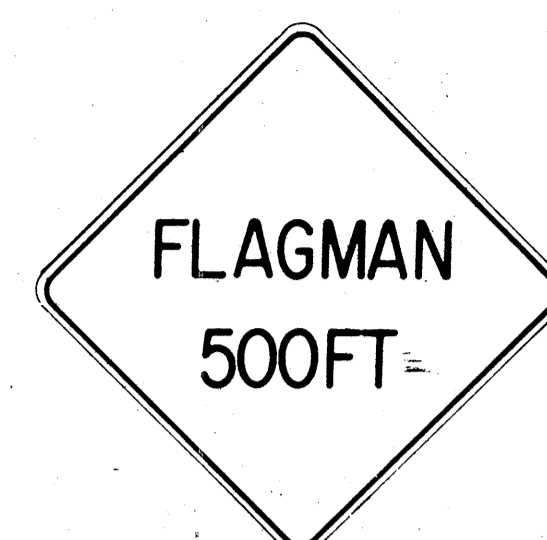
CW20-3b 48" x 48"



CW20-4d 48" x 48"



CW20-5d(L) 48" x 48"



CW20-7c 48" x 48"



CW21-1 30" x 30"



CW21-2 30" x 30"



CW21-3 36" x 36"



CW21-4 36" x 36"



CW21-5 30" x 30"



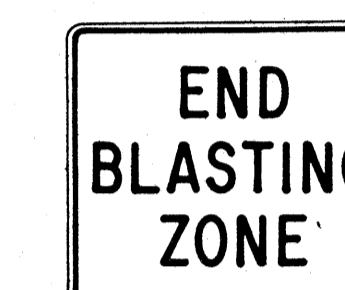
CW21-6 30" x 30"



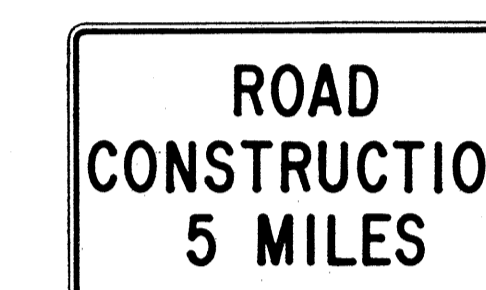
CW22-1b 48" x 48"



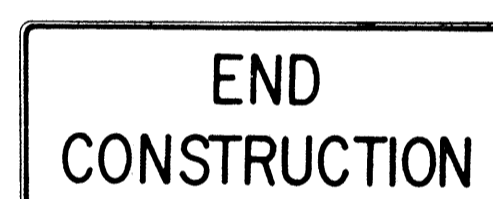
CW22-2 42" x 36"



CW22-3 42" x 36"



CG 20-1(5) 60" x 36"



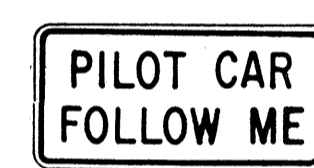
CG 20-2 60" x 24"



CM4-9(R) 30" x 24"



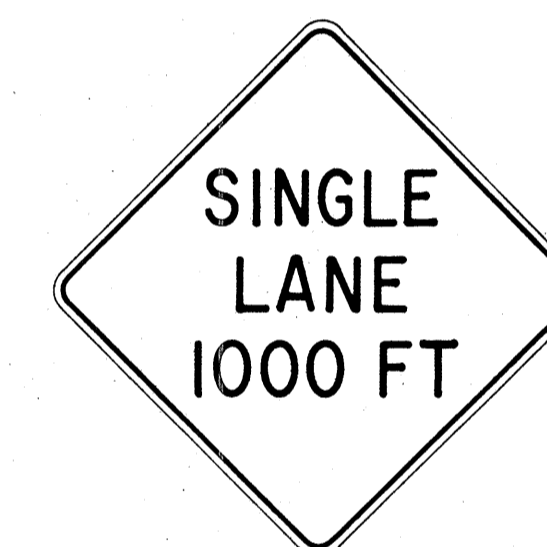
CM4-10(R) 48" x 18"



CG 20-4 36" x 18"



CW23-1 36" x 36"



CW23-2b 48" x 48"



CW23-3(R) 48" x 48"

**GENERAL NOTES**

- Sign details shall conform to the FHWA publications "Manual on Uniform Traffic Control Devices for Streets and Highways," 1971, and "Standard Highway Signs," 1972, and as amended.
- All construction signs shall be reflectorized unless otherwise specified.
- All construction signs shall have 3/8" bolt holes drilled at appropriate locations.
- Numerals in ( ) indicates numerals to be inserted for sign message. (R) or (L) indicates right or left.
- For "CW" series signs, suffixes a, b, c and d are as follows:  
a-1500 FT, b-1000 FT, c-500 FT and d-AHEAD.

APPROVAL RECOMMENDED:  
*Etsuko Tanaka* 3/21/72  
TRAFFIC ENGINEER DATE

APPROVED:  
*Shigeru Sato* 3/23/72  
ASSISTANT CHIEF, ENGINEERING DATE

NO.	REVISION	APPROVED BY	DATE
1	Supersedes Sht. DT 104 Approved 12-30-69	H.T.	3/23/72
2	Revised General Note 1	H.T.	10/16/74

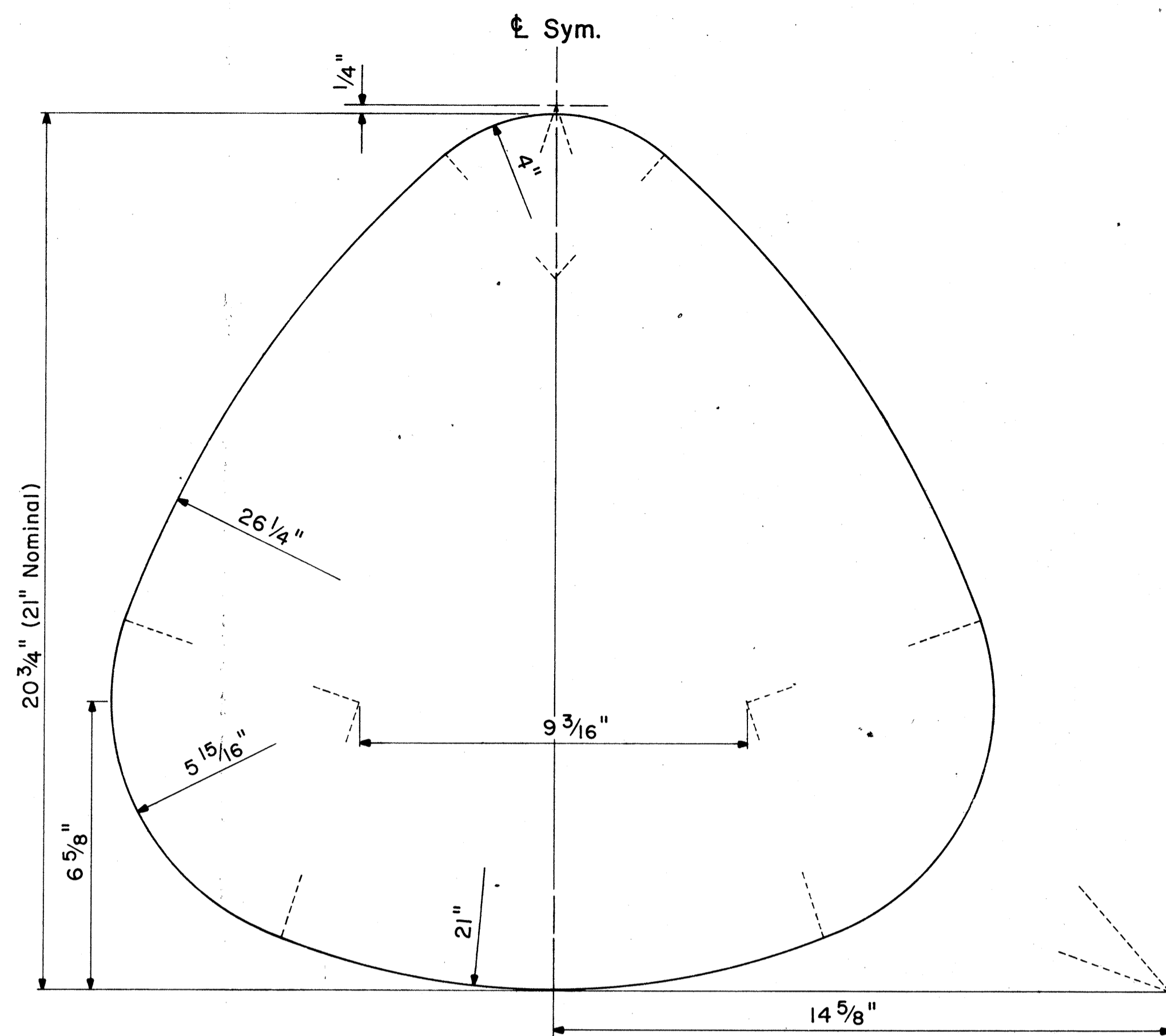
STATE OF HAWAII  
DEPARTMENT OF TRANSPORTATION  
HIGHWAYS DIVISION

**STANDARD DETAILS**  
**CONSTRUCTION SIGNS**

NOT TO SCALE

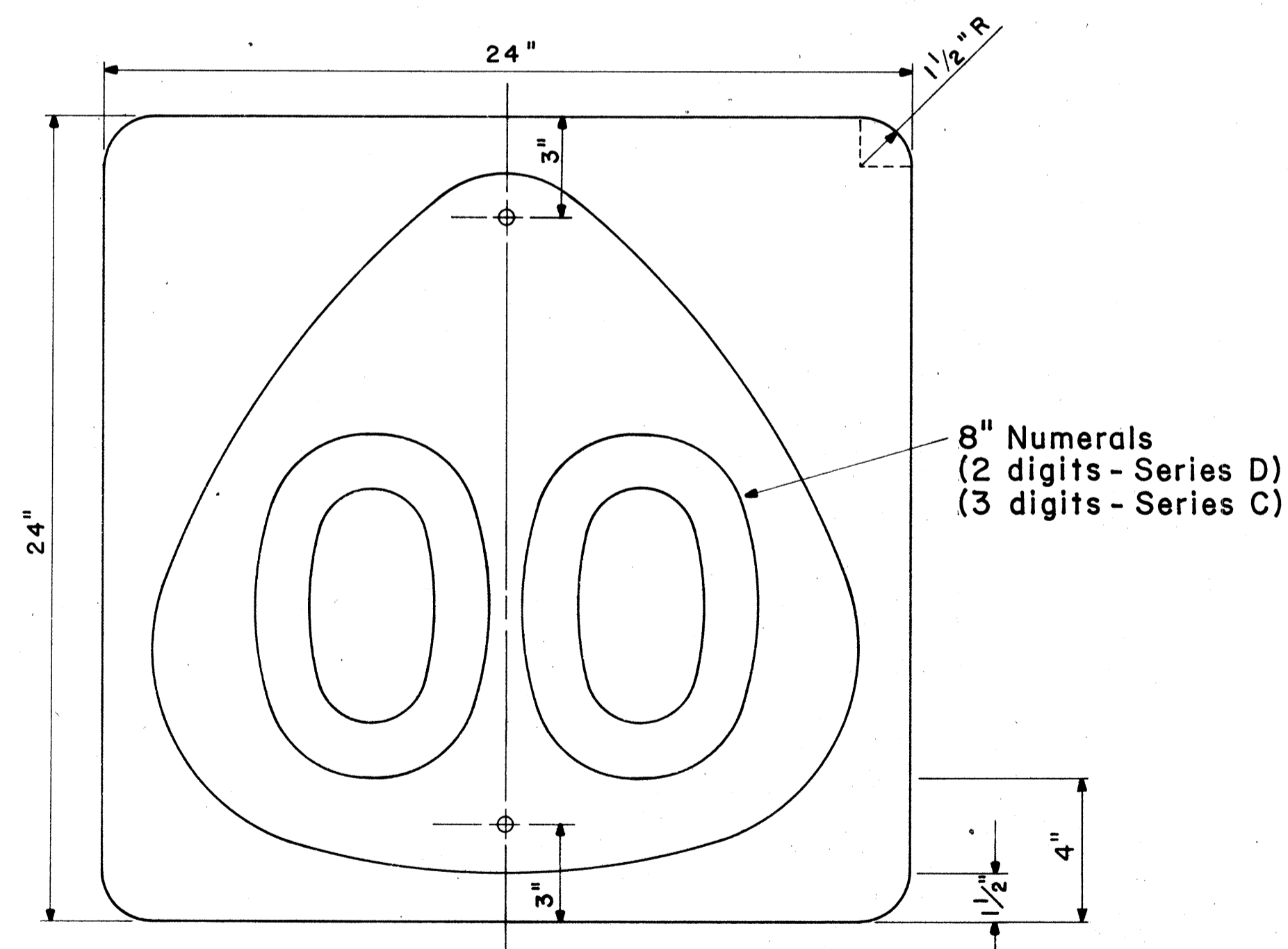
DATE	_____
SURVEY PLOTTED BY	_____
DESIGNED BY	_____
NOTED BY	_____
CHECKED BY	_____
ORIGINAL PLAN	_____
NOTE BOOK	_____
NO.	_____

FED. ROAD DIST. NO.	STATE	FED. AID PROJ. NO.	FISCAL YEAR	SHEET NO.	TOTAL SHEETS
HAWAII	HAW.	EHS-U-092-1(11)	1974	81	141



**STATE ROUTE MARKER DETAIL**

Not to Scale



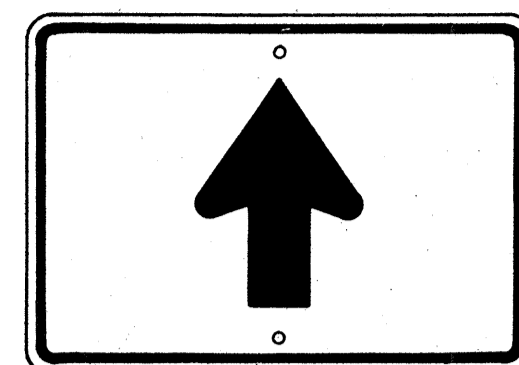
**STATE ROUTE MARKER**

M1-6 (00) 24" x 24"

Scale: 1/4" = 1"



M2-1 21" x 15"



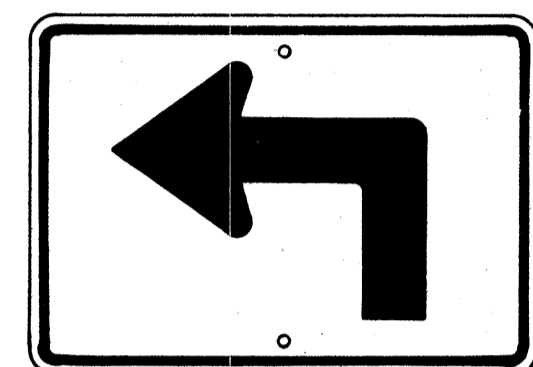
M6-3 21" x 15"



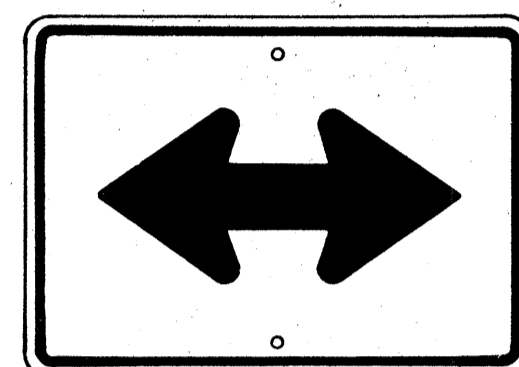
M3-1 24" x 12"  
M3-1-A 36" x 18"



M4-1 24" x 12"



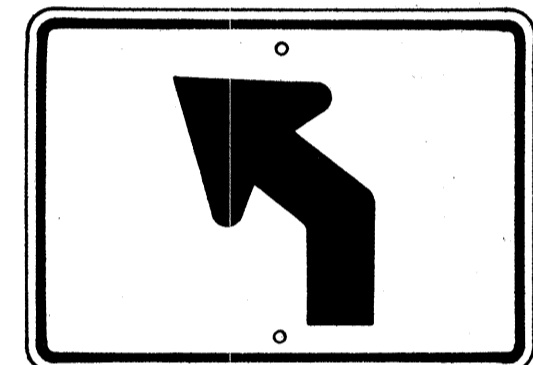
M5-1(L) 21" x 15"



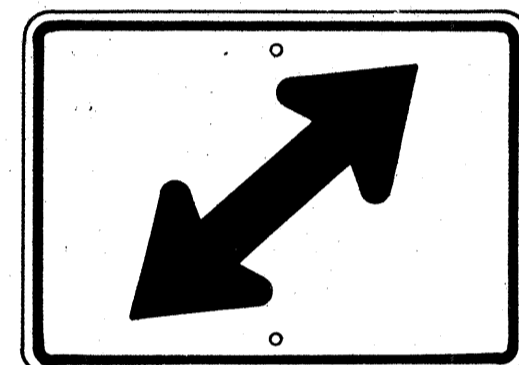
M6-4 21" x 15"



M4-2 24" x 12"



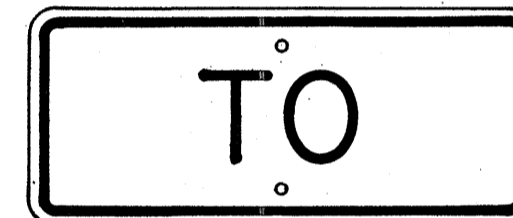
M5-2(L) 21" x 15"



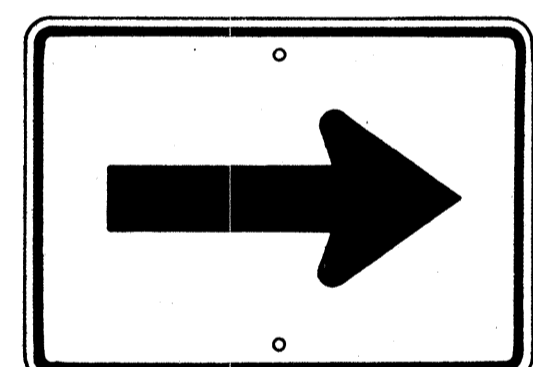
M6-5(R) 21" x 15"



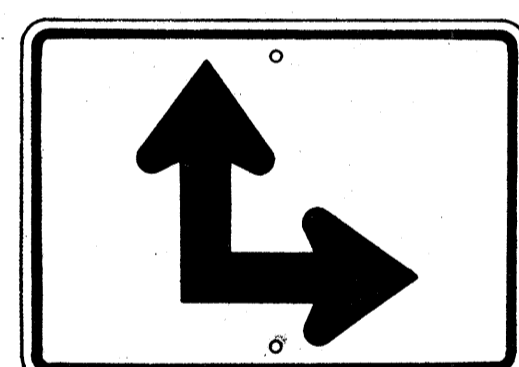
M4-3 24" x 12"



M4-5 24" x 12"



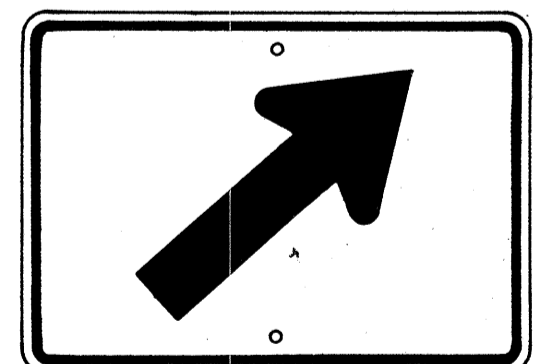
M6-1 21" x 15"



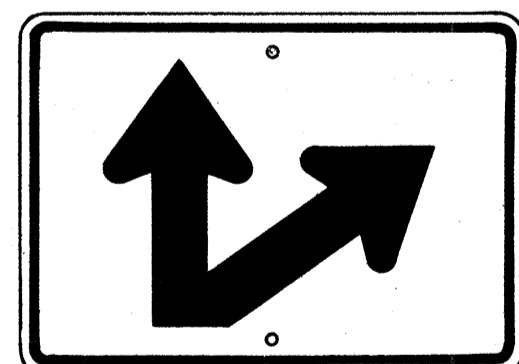
M6-6(R) 21" x 15"



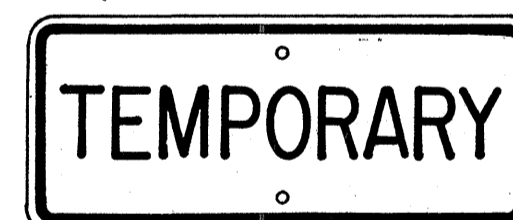
M4-6 24" x 12"



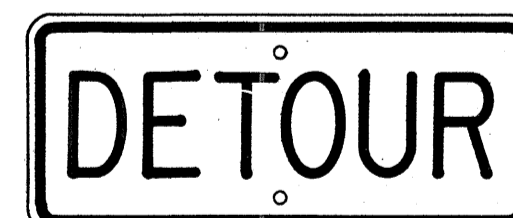
M6-2(R) 21" x 15"



M6-7(R) 21" x 15"



M4-7 24" x 12"



M4-8 24" x 12"

**GENERAL NOTES**

1. Marker details shall conform to the FHWA publications "Manual on Uniform Traffic Control Devices for Streets and Highways," 1971, "Standard Alphabets for Highway Signs," 1966, and "Standard Highway Signs," 1972, and as amended.
2. All markers shall be reflectorized unless otherwise specified.
3. All markers shall have 3/8" bolt holes drilled at appropriate locations.
4. Numerals in ( ) indicates numerals to be inserted for marker message. (R) or (L) indicates right or left.
5. Sign message of Cardinal Direction Marker (M3 series) shall be denoted by the following:  
M3-1 : NORTH  
M3-2 : EAST  
M3-3 : SOUTH  
M3-4 : WEST
6. Markers prefixed with "IM" on the plans shall have a white legend on a blue background.

**AUXILIARY MARKERS**

Not to Scale

APPROVAL RECOMMENDED:

*Eiichi Tanaka* 6/6/72  
TRAFFIC ENGINEER DATE

APPROVED:

*Robert S. DeFendi* 6-1-72  
ASSISTANT CHIEF, ENGINEERING DATE

NO.	REVISION	APPROVED BY	DATE
1	Supersedes Sht. DT 105 Approved 12-30-69	H.T.	6/1/72
2	Revised General Note 1	H.T.	10/16/74

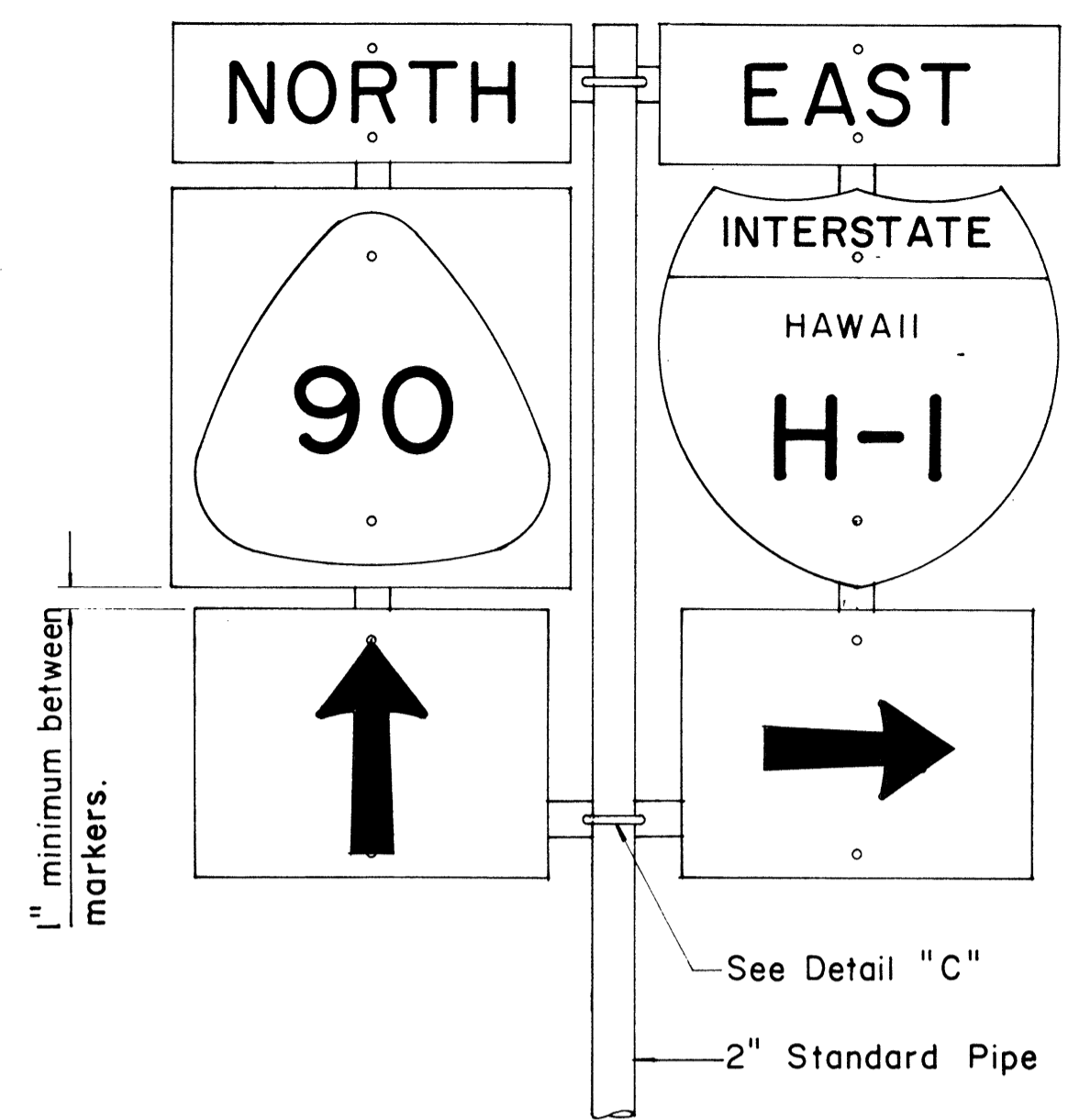
STATE OF HAWAII  
DEPARTMENT OF TRANSPORTATION  
HIGHWAYS DIVISION  
**STANDARD DETAILS**  
**STATE ROUTE MARKER**  
**AND AUXILIARY MARKERS**

Scale: As Shown

SHEET NO 18 OF 19 SHEETS DT105

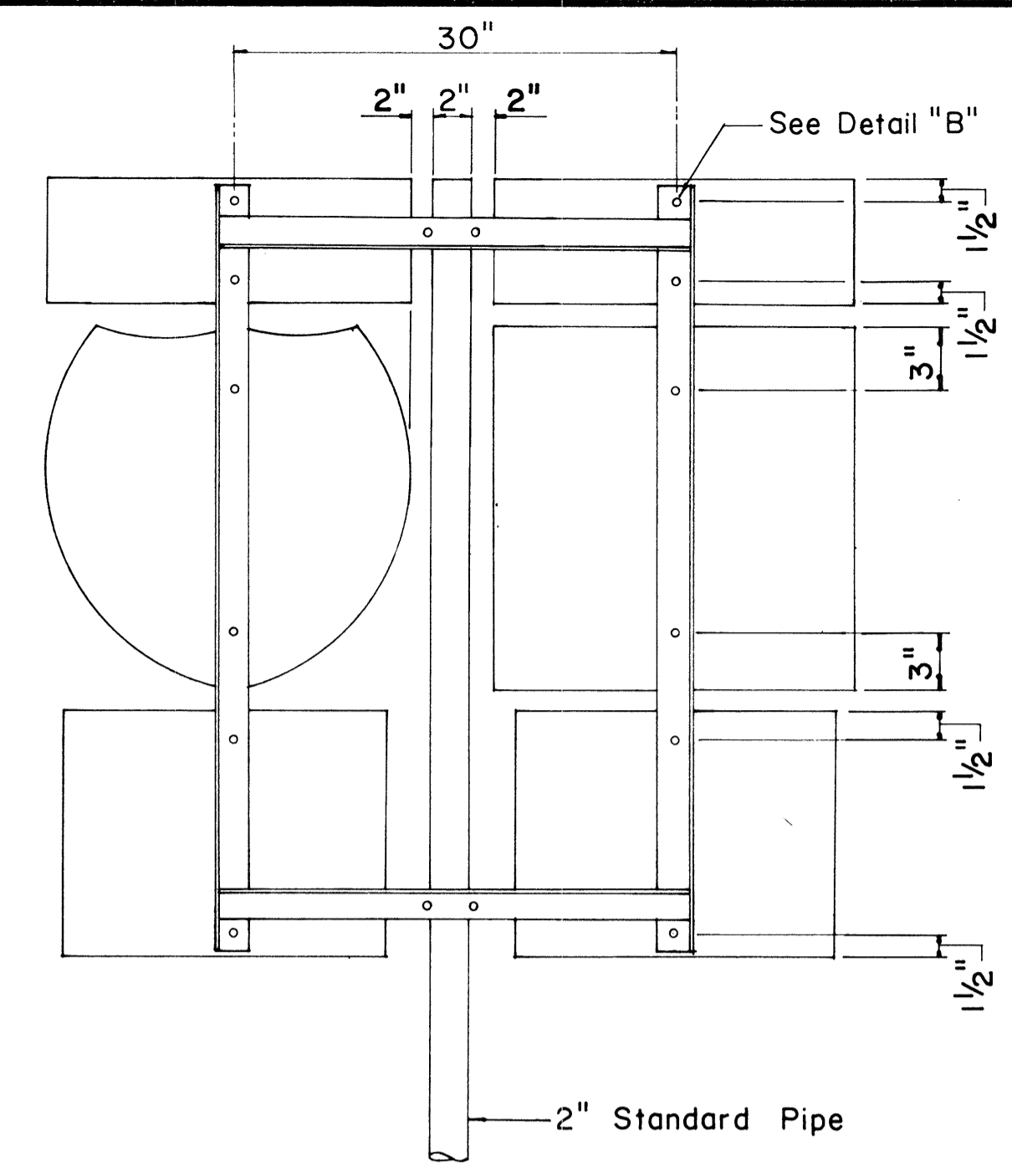
ORIGINAL PLAN  
DRAWN BY  
DESIGNED BY  
QUANTITIES BY  
CHECKED BY  
DATE  
NO.

FED. ROAD DIST. NO.	STATE	FED. AID PROJ. NO.	FISCAL YEAR	SHEET NO.	TOTAL SHEETS
HAWAII	HAW.	EH0-U-092-1(11)	1974	82	141



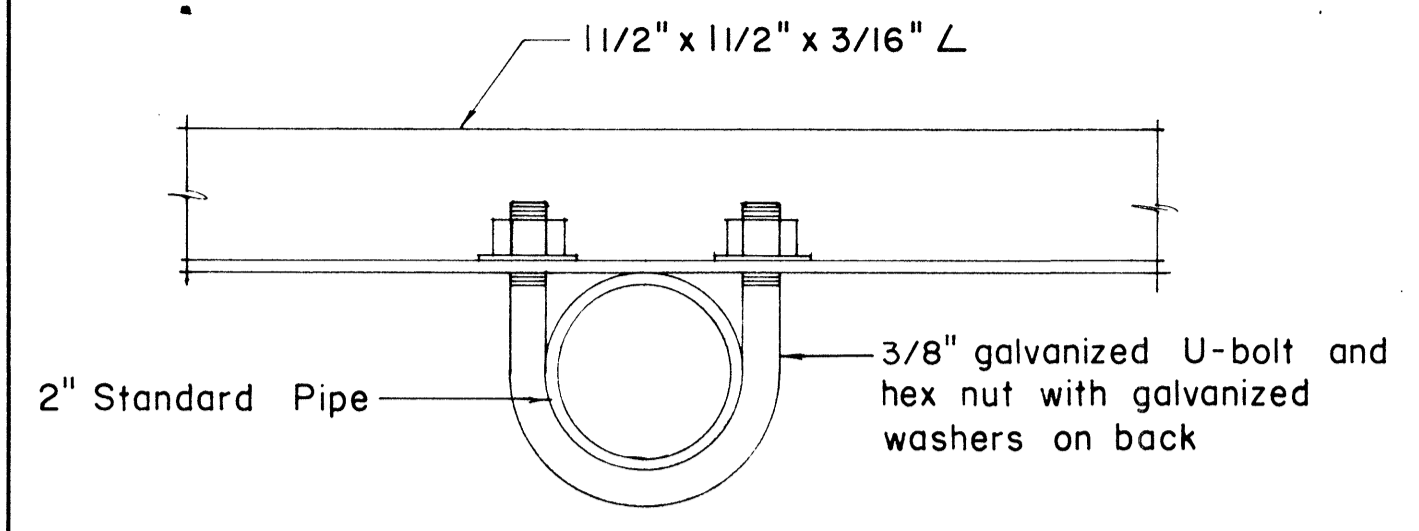
FRONT ELEVATION

TYPE "B" ASSEMBLY  
Not to Scale

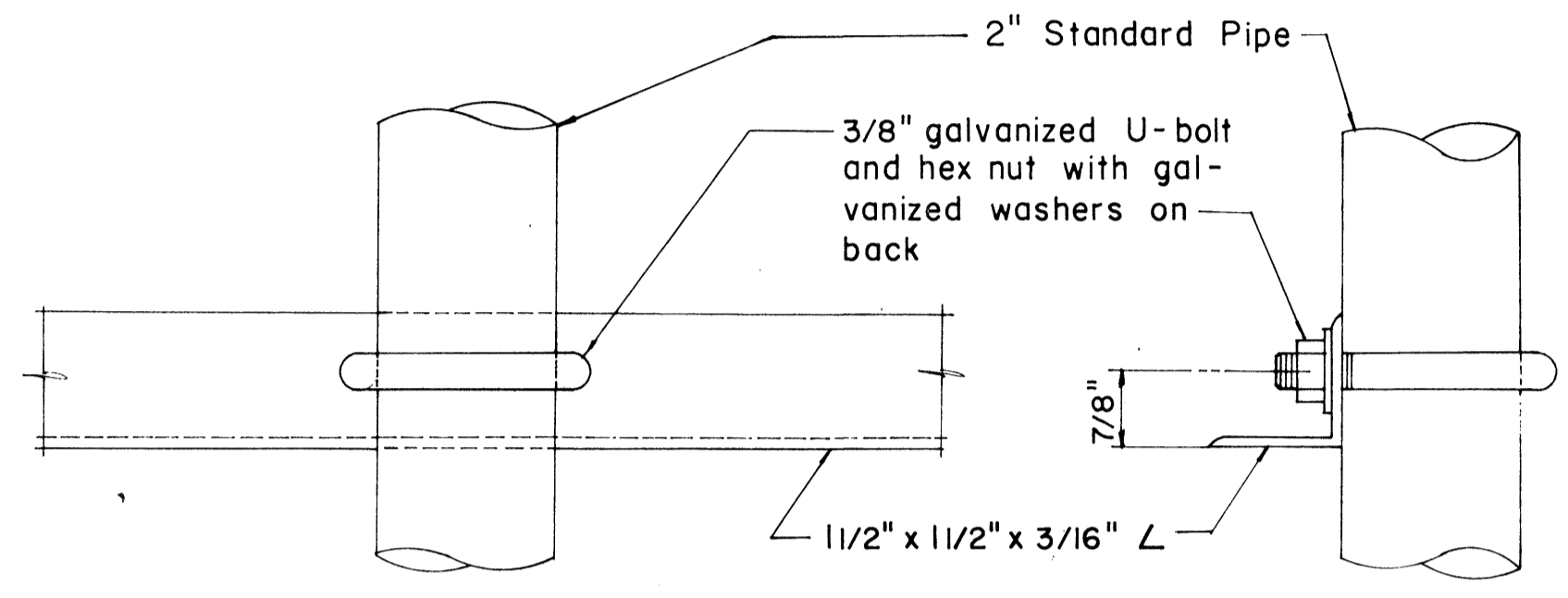


REAR ELEVATION

NOTE:  
1. Minimum clearance between markers shall be one inch. (Larger clearances shall be in multiples of one inch.)  
2. Pipe post for Type "A" & Type "B" Assembly shall be 2" Standard Pipe.



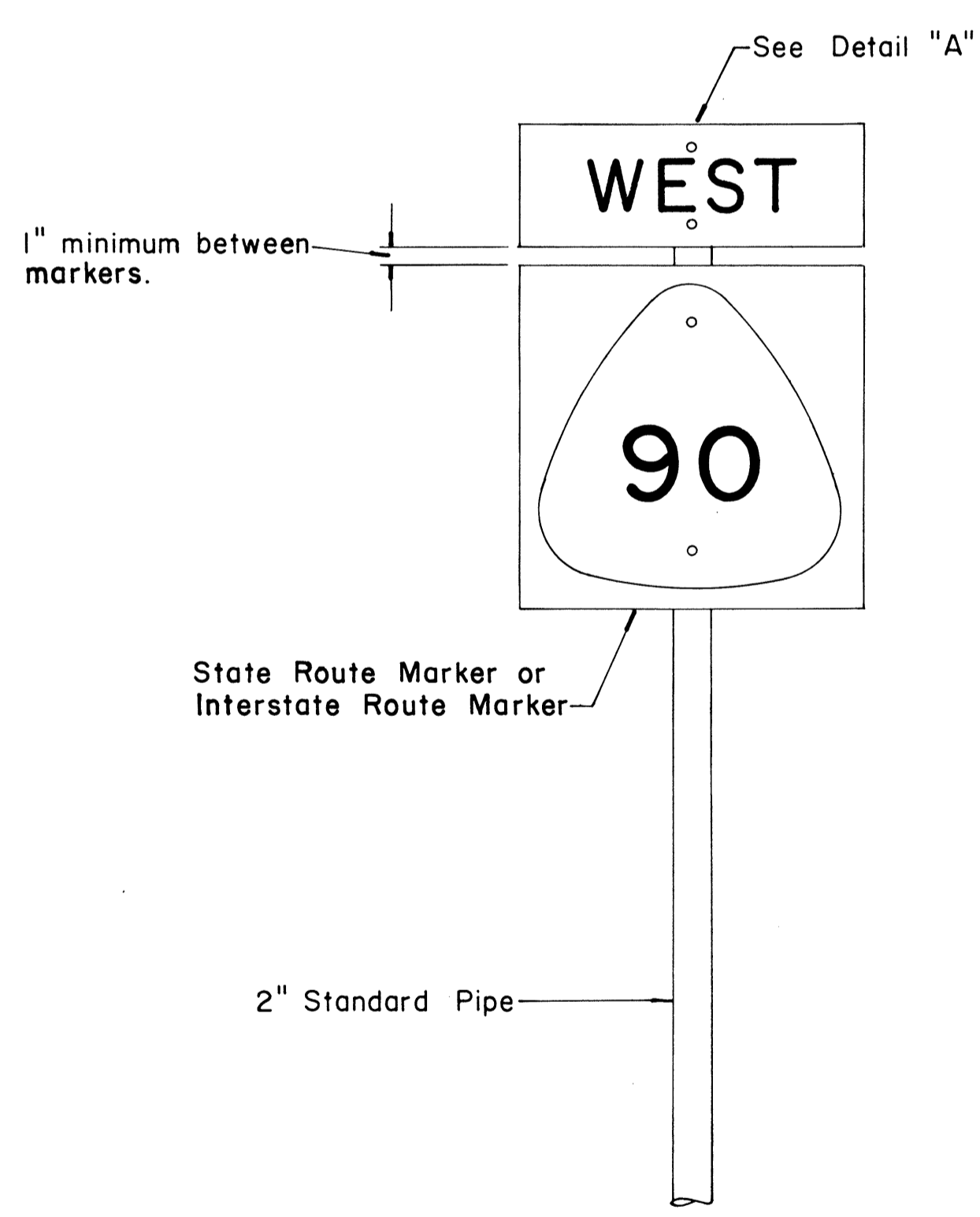
PLAN



FRONT ELEVATION

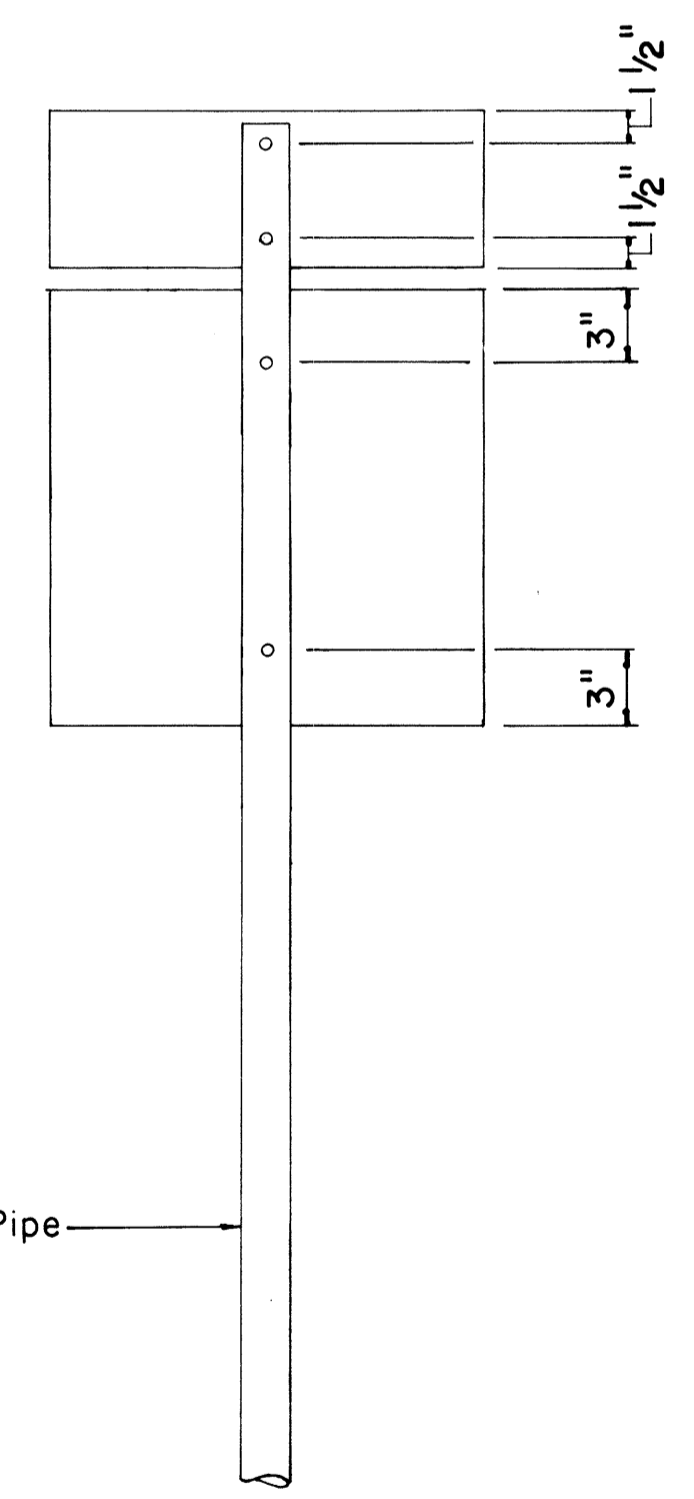
SIDE ELEVATION

DETAIL "C"



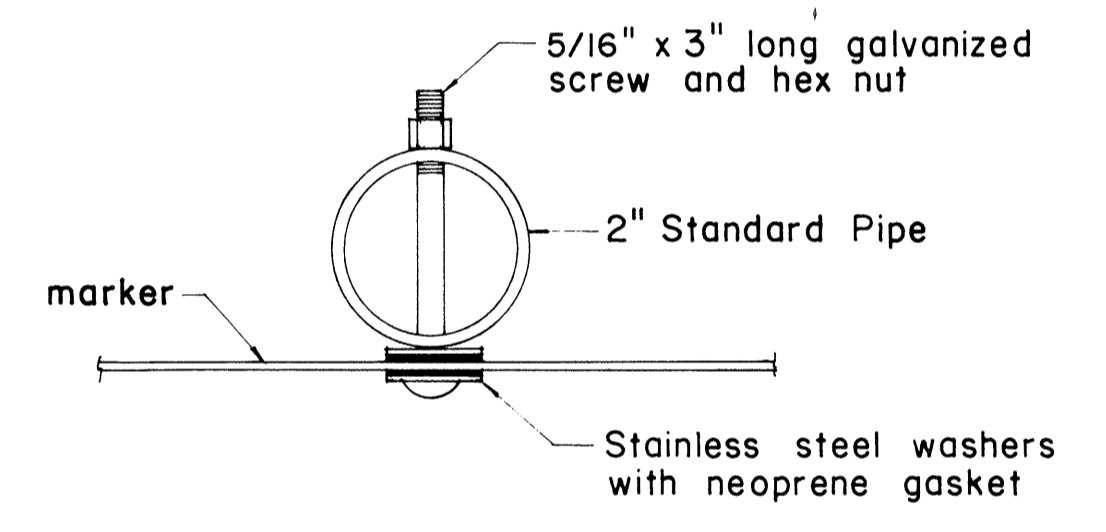
FRONT ELEVATION

TYPE "A" ASSEMBLY  
Not to Scale

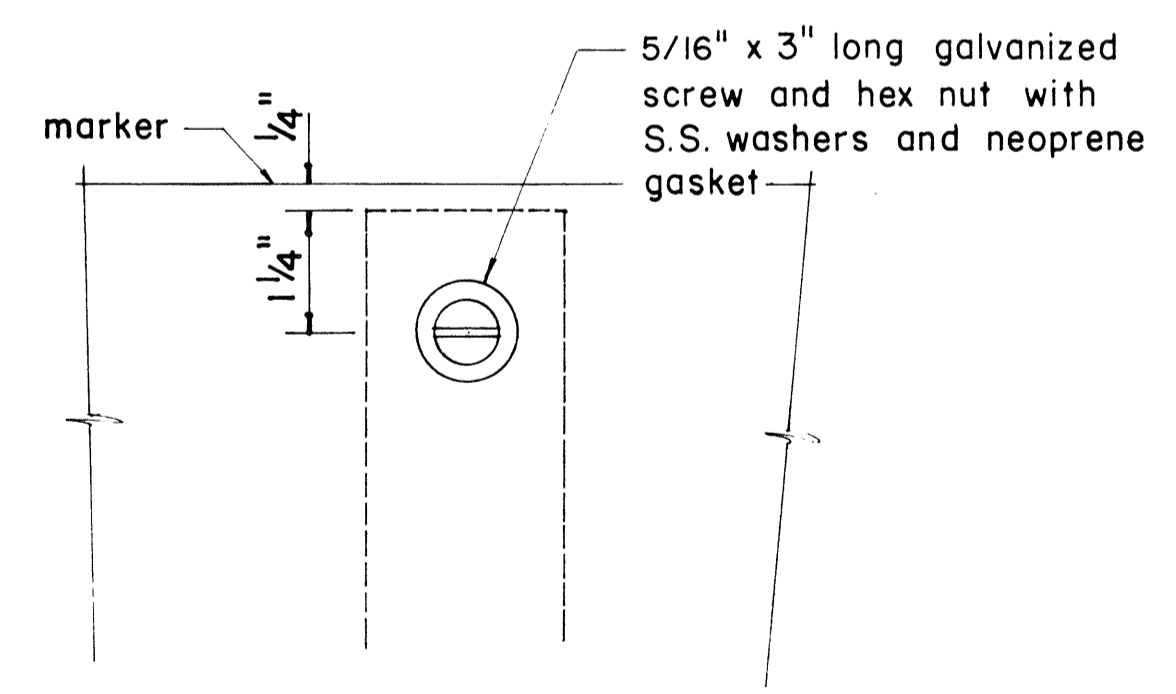


REAR ELEVATION

NOTE:  
For height and lateral location of Route Marker Assembly, see plan sheet DT 100.

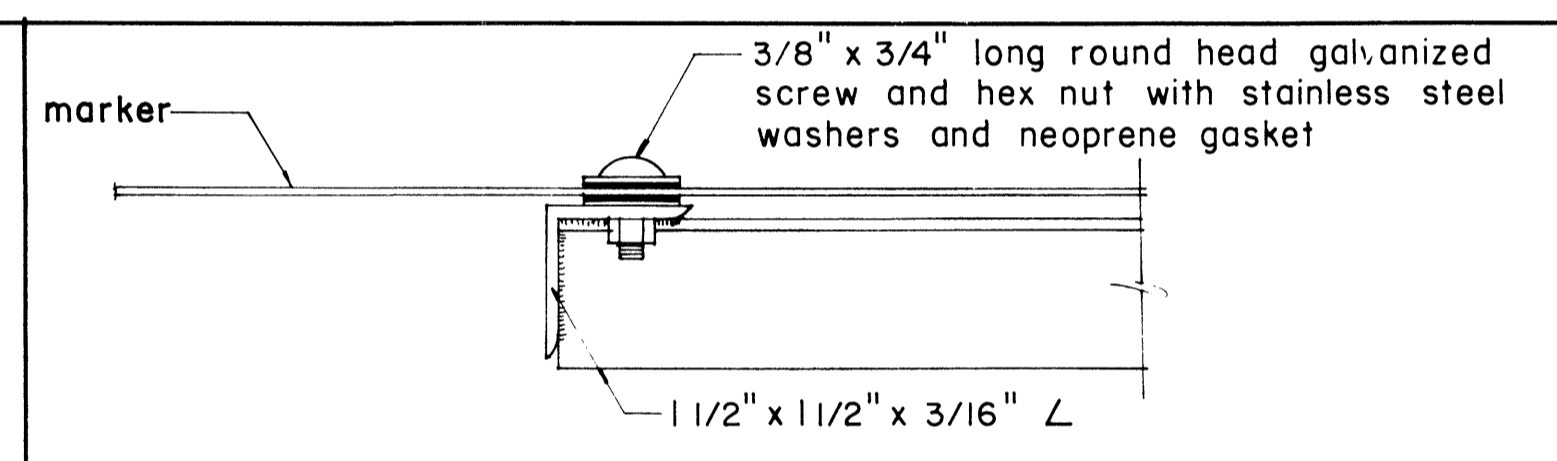


PLAN

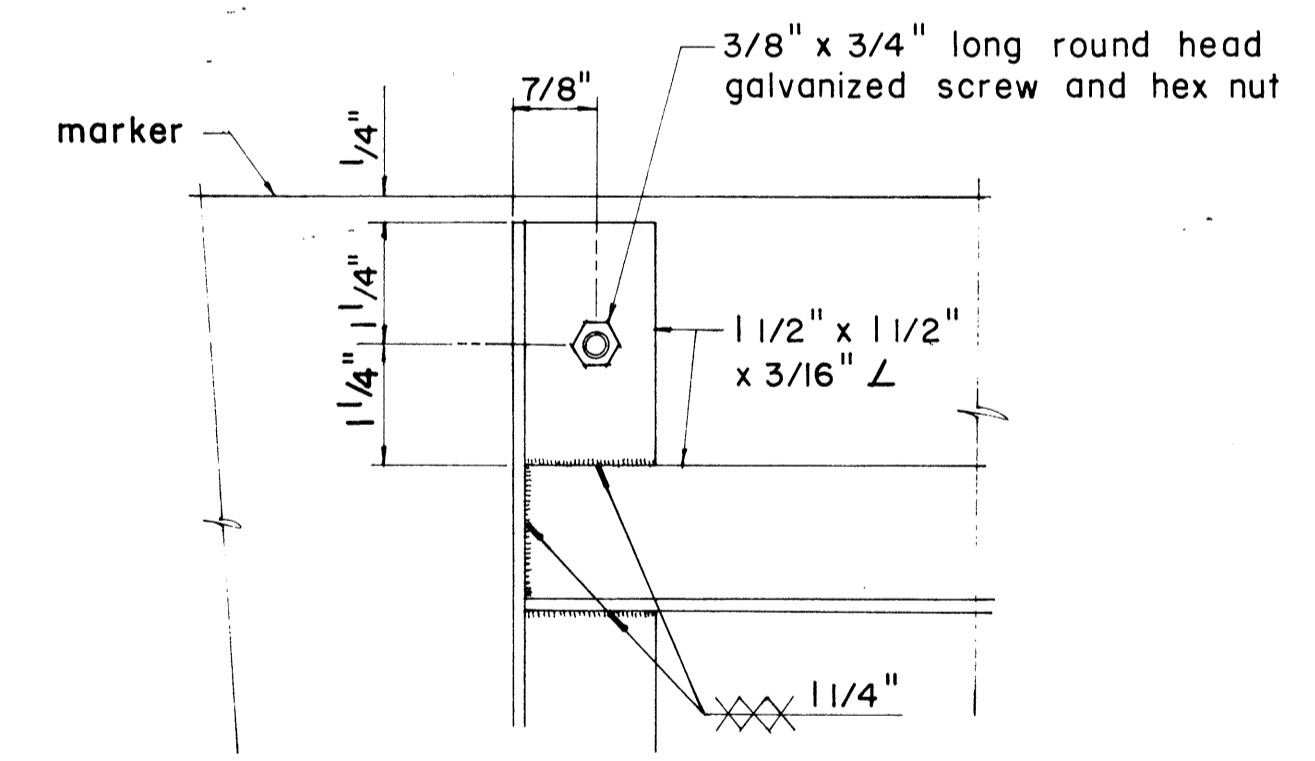


FRONT ELEVATION

DETAIL "A"

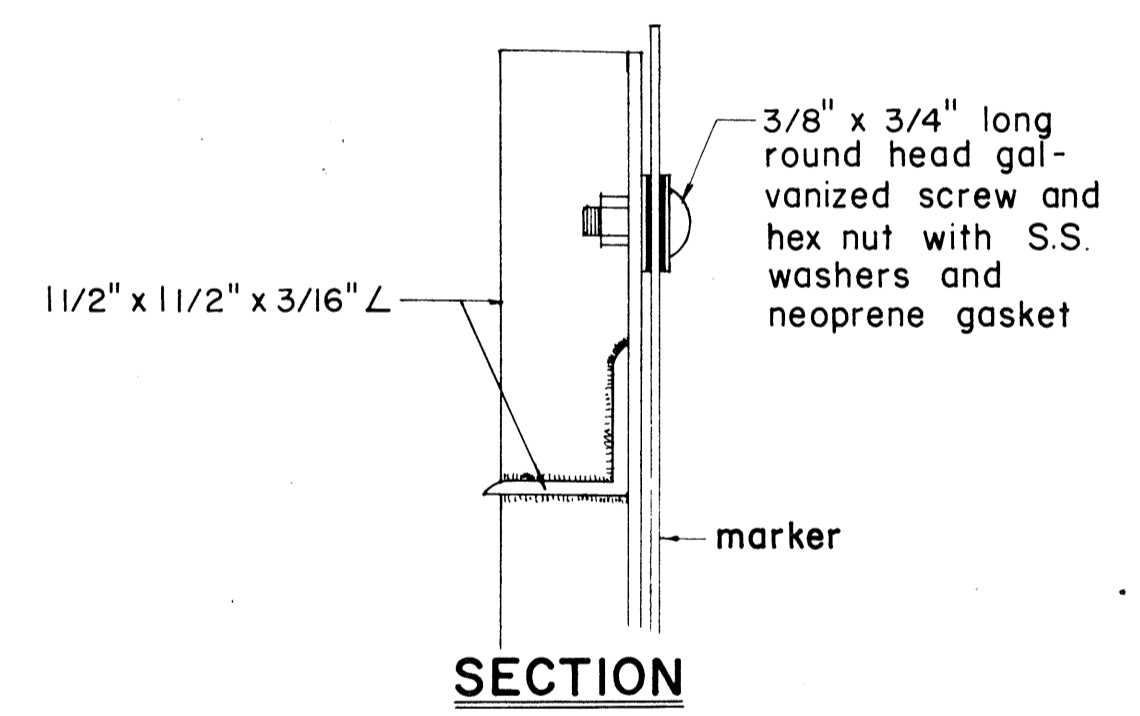


PLAN



ELEVATION

DETAIL "B"



SECTION

APPROVAL RECOMMENDED:  
*Etsuki Tanaka*  
TRAFFIC ENGINEER  
DATE: 12/29/69

APPROVED:  
*Shunji Sakai*  
ASSISTANT CHIEF, ENGINEERING  
DATE: 12-30-69

NO.	REVISION	APPROVED BY	DATE
1	Revisions to Route Marker Assemblies.	H.T.	6/1/72

STATE OF HAWAII  
DEPARTMENT OF TRANSPORTATION  
HIGHWAYS DIVISION

STANDARD DETAILS  
ROUTE MARKER ASSEMBLIES

Scale: As Shown  
SHEET No. 19 OF 19 SHEETS DT 107

DATE  
DESIGNED BY  
CHECKED BY  
NO.