

GENERAL NOTES

All conduits shall be hot dipped galvanized pipe 2" and 3" nominal diameter.

All conduit cables and ducts shall be laid to a depth of not less than 18" and not more than 24" below finished grade of road.

Conduit cables and ducts shall extend at least 24" clear of curb or edge of pavement.

All conduit and duct ends shall be carefully marked and left clean with standard pipe caps.

Conduit and duct runs shall be accurately located either by markers in pavement or curb, or by means of a location map fixing ends of conduit and duct runs.

Transite duct shall be Johns-Manville transite conduit or equal.

Concrete bases for Monotube Lighting Standard shall be class "B-1" concrete and shall be paid for under the item of "Bases for Light Standards".

LEGEND AND EQUIPMENT SUMMARY

Symbol	Luminaire	Total Number	Lamp Wattage	Const. Current Trans. Capacity	Avg. Calc'd Foot Candles on Pavement
○	GE A24 G10	25	400 EH-1	24.7 Kw.	1.3
●		12*	250 AH-5		0.7

Luminaire will overhang edge of pavement 5'-0". Mounting Height 33'-2" or 32'-0 1/2"

Overhead wire No. 6 on Wood poles

Underground cable No. 8 buried in trench

No. 8 cable in 2" conduit

No. 8 cable in 2" Transite duct

Standards - Round Monotube Union Metal Mfg. or equal

Pull Box

3" Service Conduit

1C - One Cable
2C - Two Cables

Note: Unless otherwise indicated all conduits shall be 2" I.D.
*6 to be added to circuit designed for Project No. FU 44(5)

NOTE:
See Sheet No. 5505.7A for Revised Plan of Median Strip at Halekauwila
REVISED 2/5/52

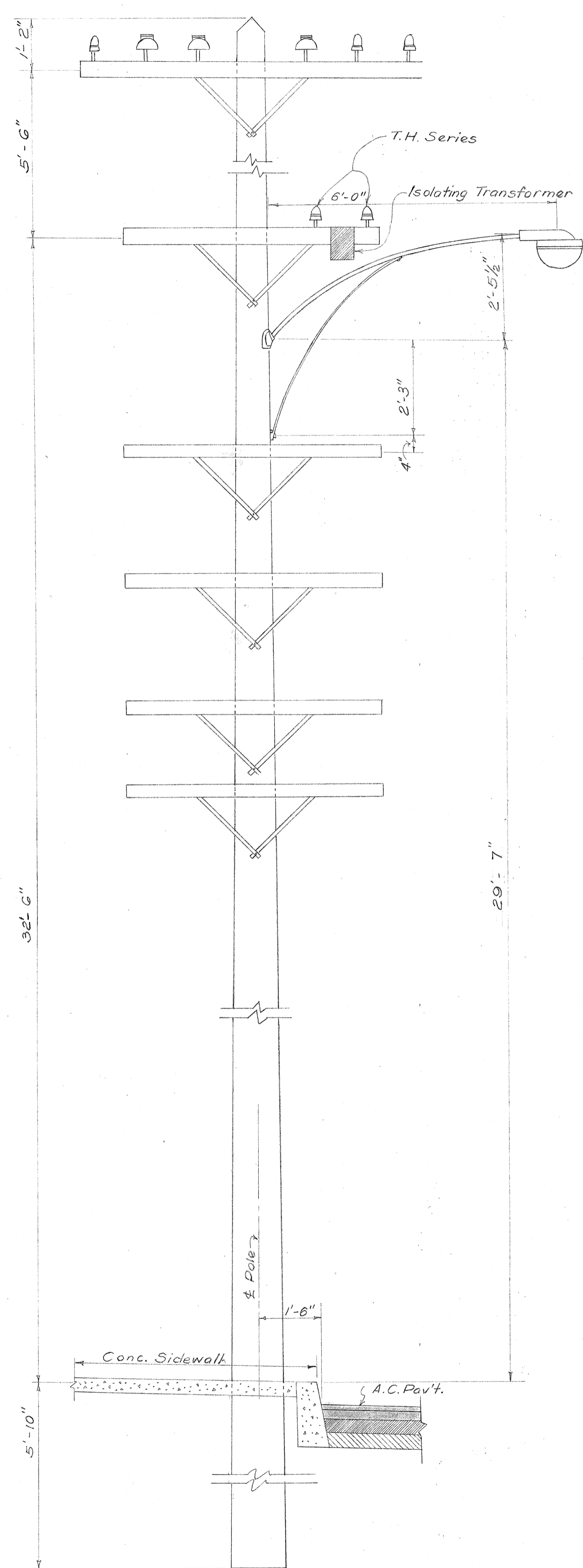
TERRITORIAL HIGHWAY DEPARTMENT
TERRITORY OF HAWAII
LAYOUT FOR
HIGHWAY LIGHTING SYSTEM
HONOLULU-PEARL HARBOR ROAD
HALEKAUWILA-ALA MOANA SECTION
PROJECT NO. U44(G)
Scale: 1"=50' May 1951

SHEET NO. 1 OF 3 SHEETS

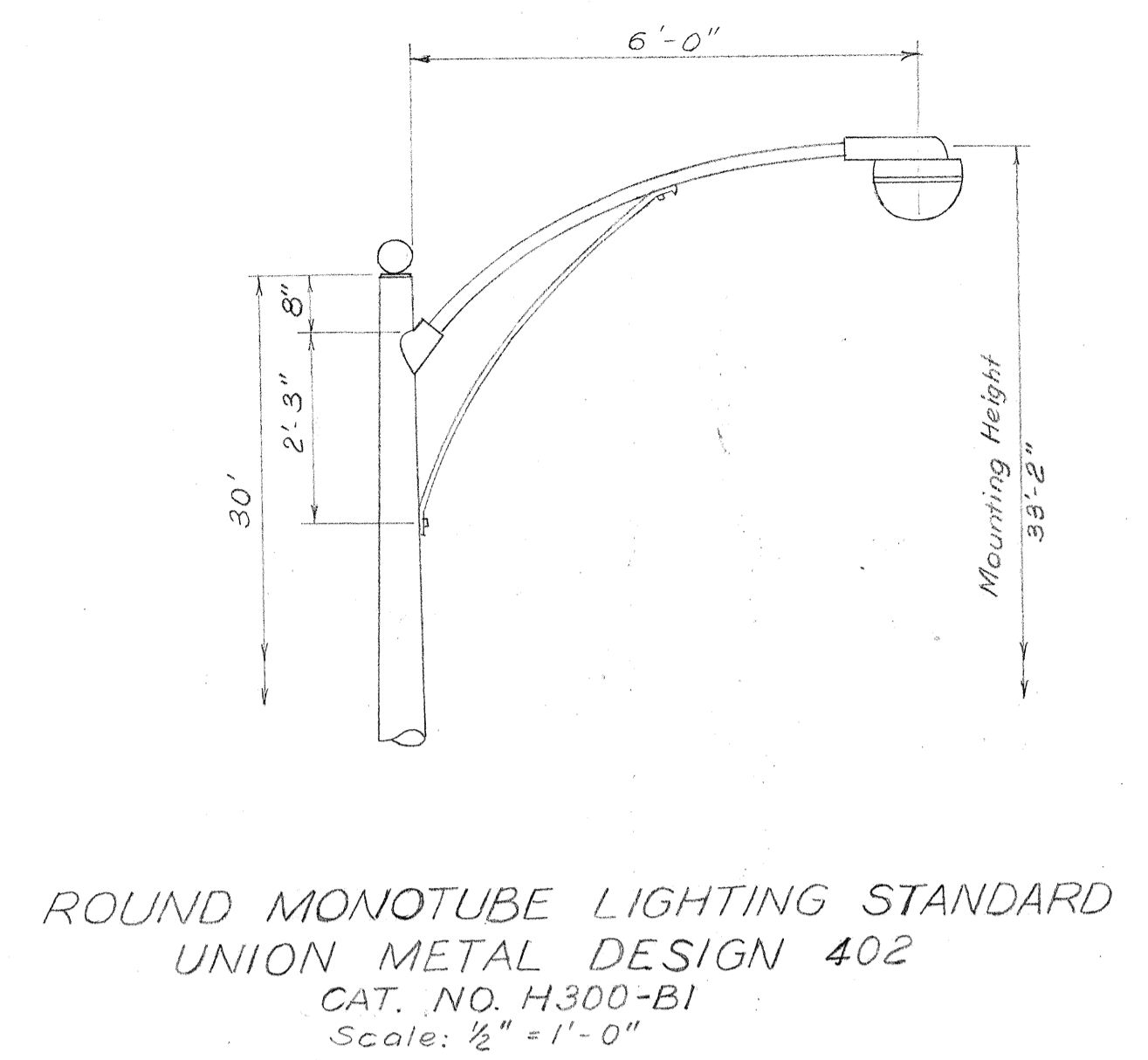
5505.19

SURVEY PLOTTED BY _____ DATE _____
DESIGNED BY _____
DRAWN BY _____
NOTE BOOK NO. _____
QUANTITIES CHECKED BY _____
CHECKED BY _____

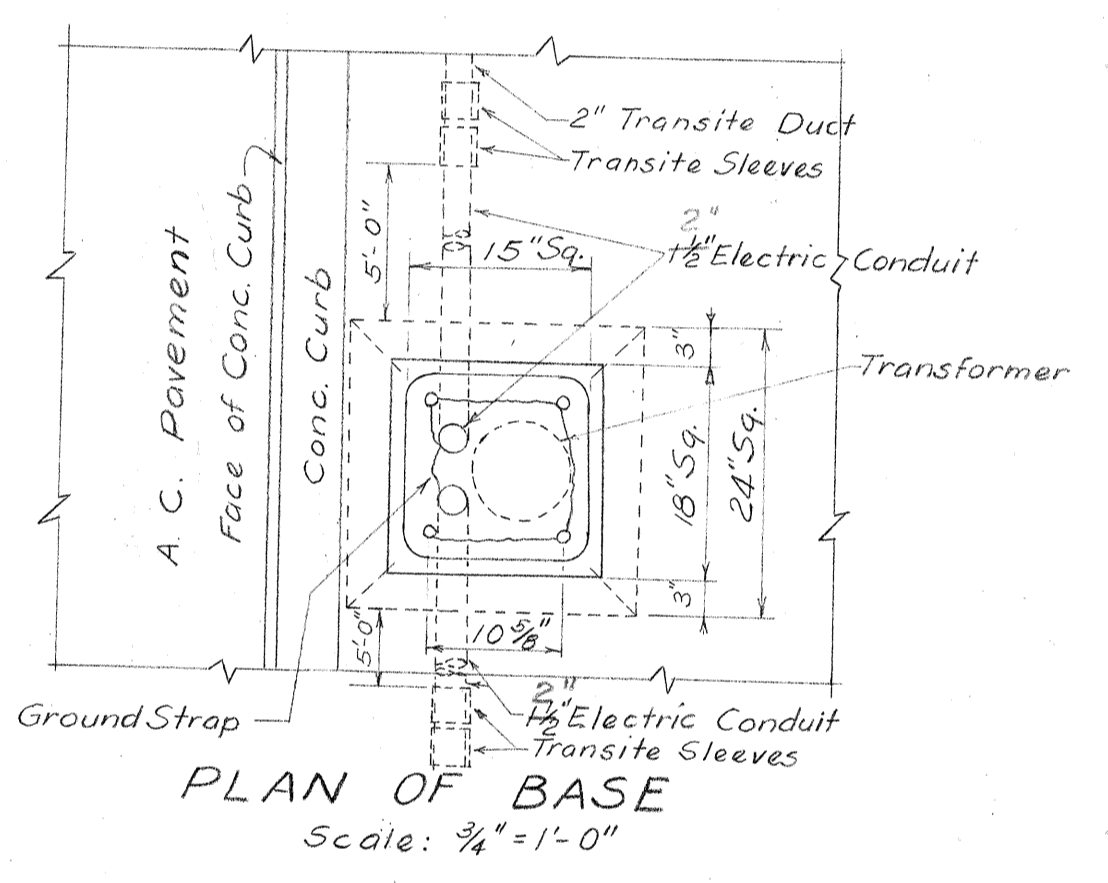
FED. ROAD DIST. NO.	STATE	FED. AID PROJ. NO.	FISCAL YEAR	SHEET NO.	TOTAL SHEETS
HAWAII	HAW	U44(6)	1951	20	44



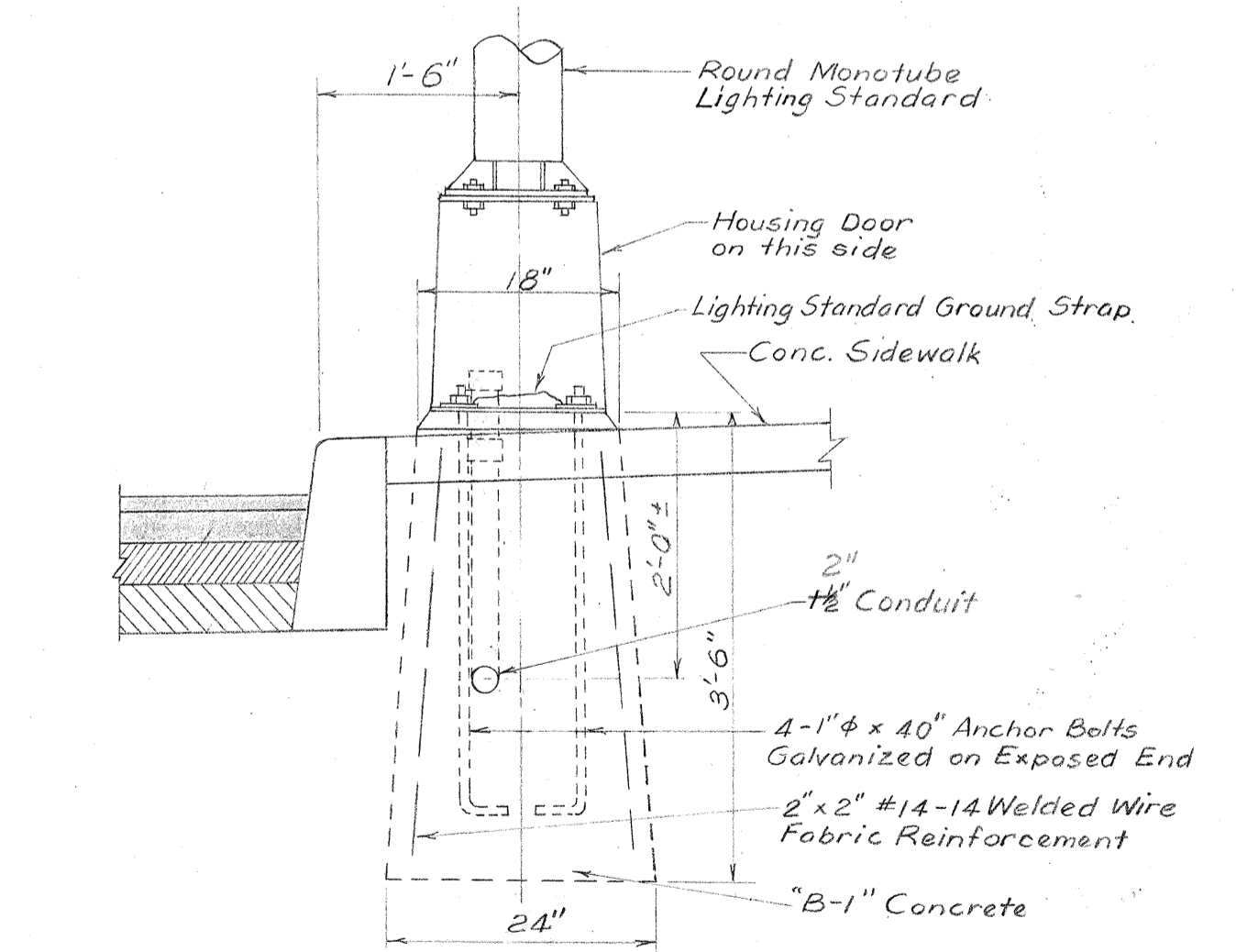
J.P. 45' POLE
Scale: 1/2" = 1'-0"



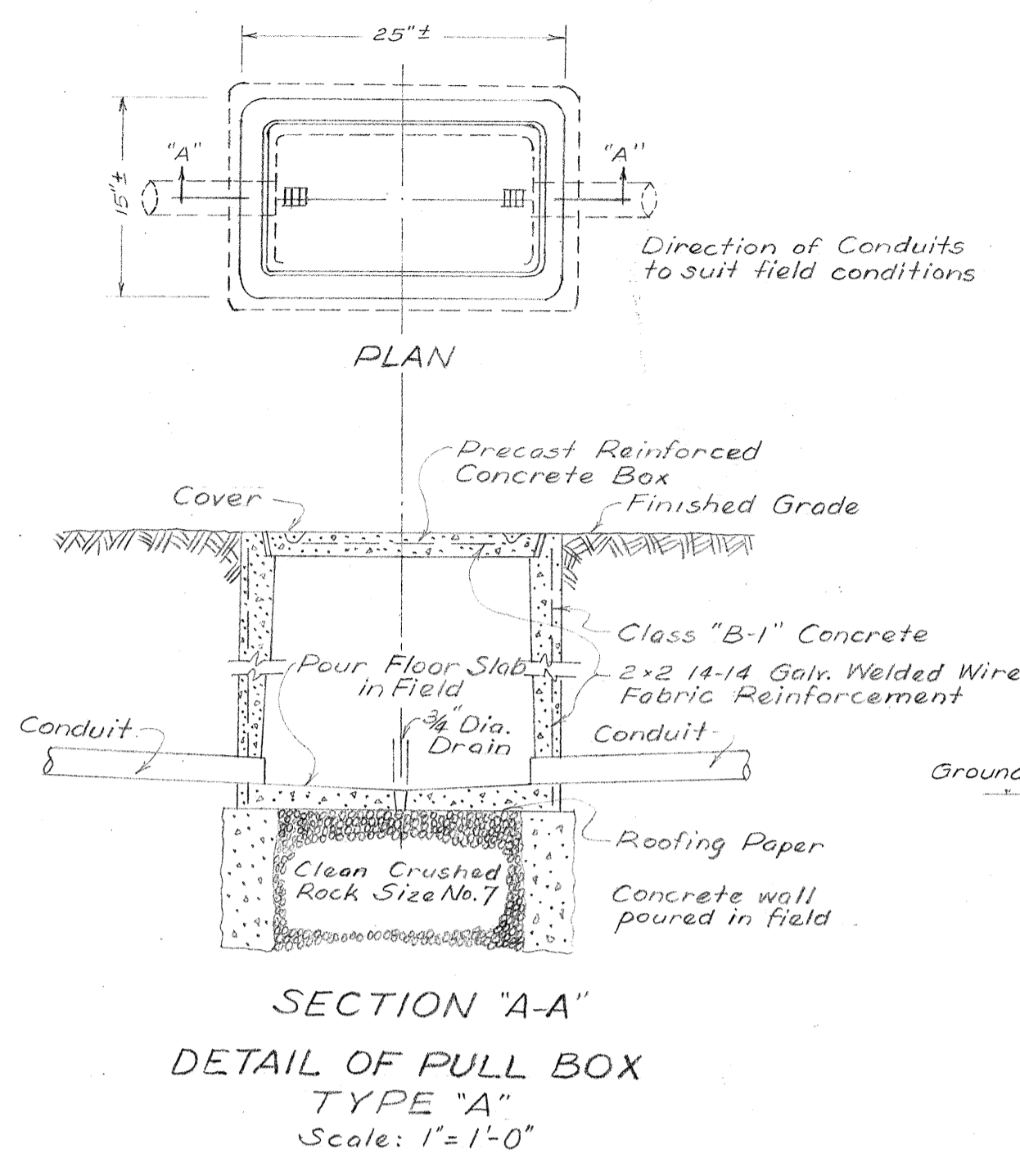
ROUND MONOTUBE LIGHTING STANDARD
UNION METAL DESIGN 402
CAT. NO. H300-B1
Scale: 1/2" = 1'-0"



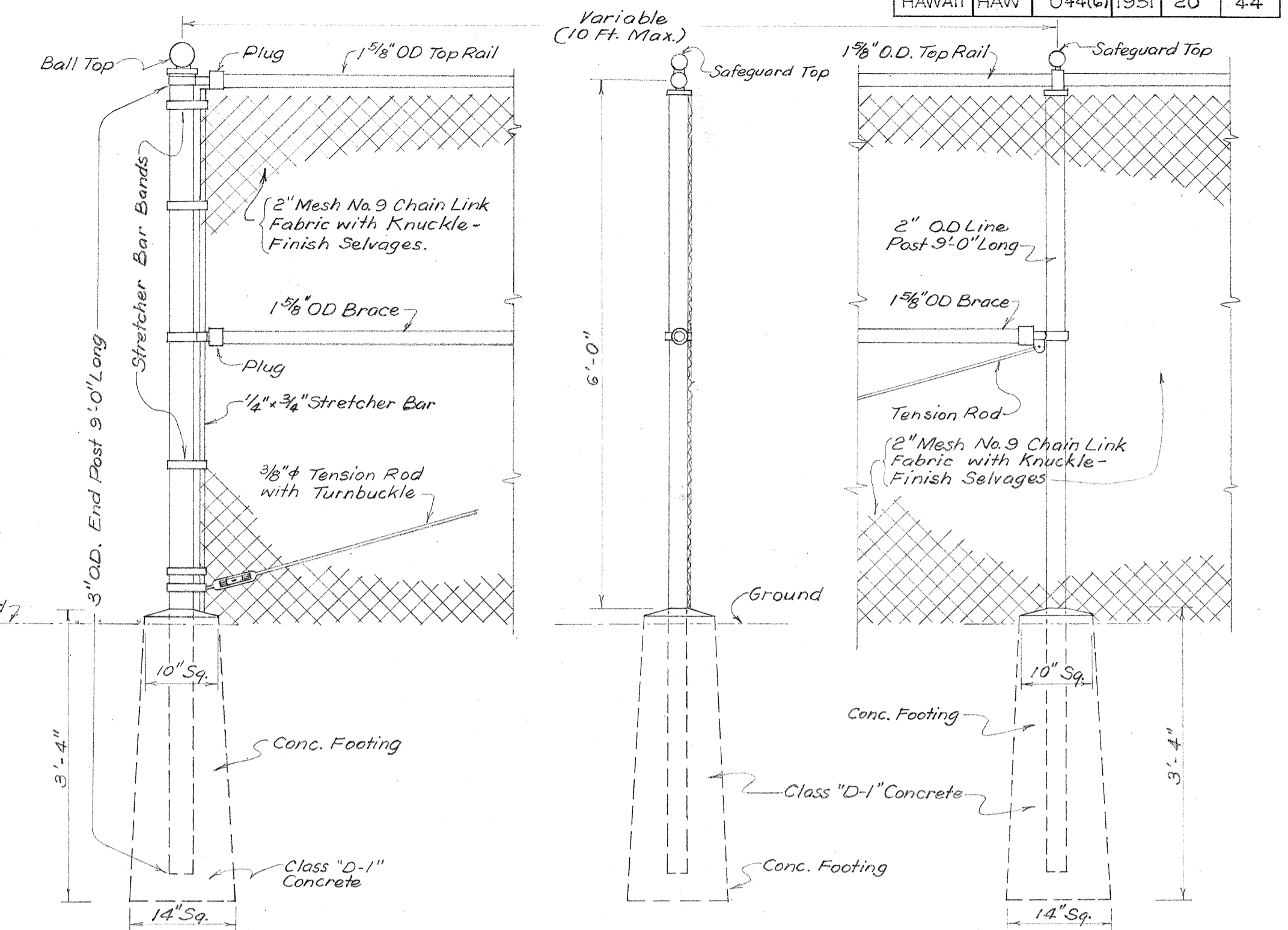
PLAN OF BASE
Scale: 3/4" = 1'-0"



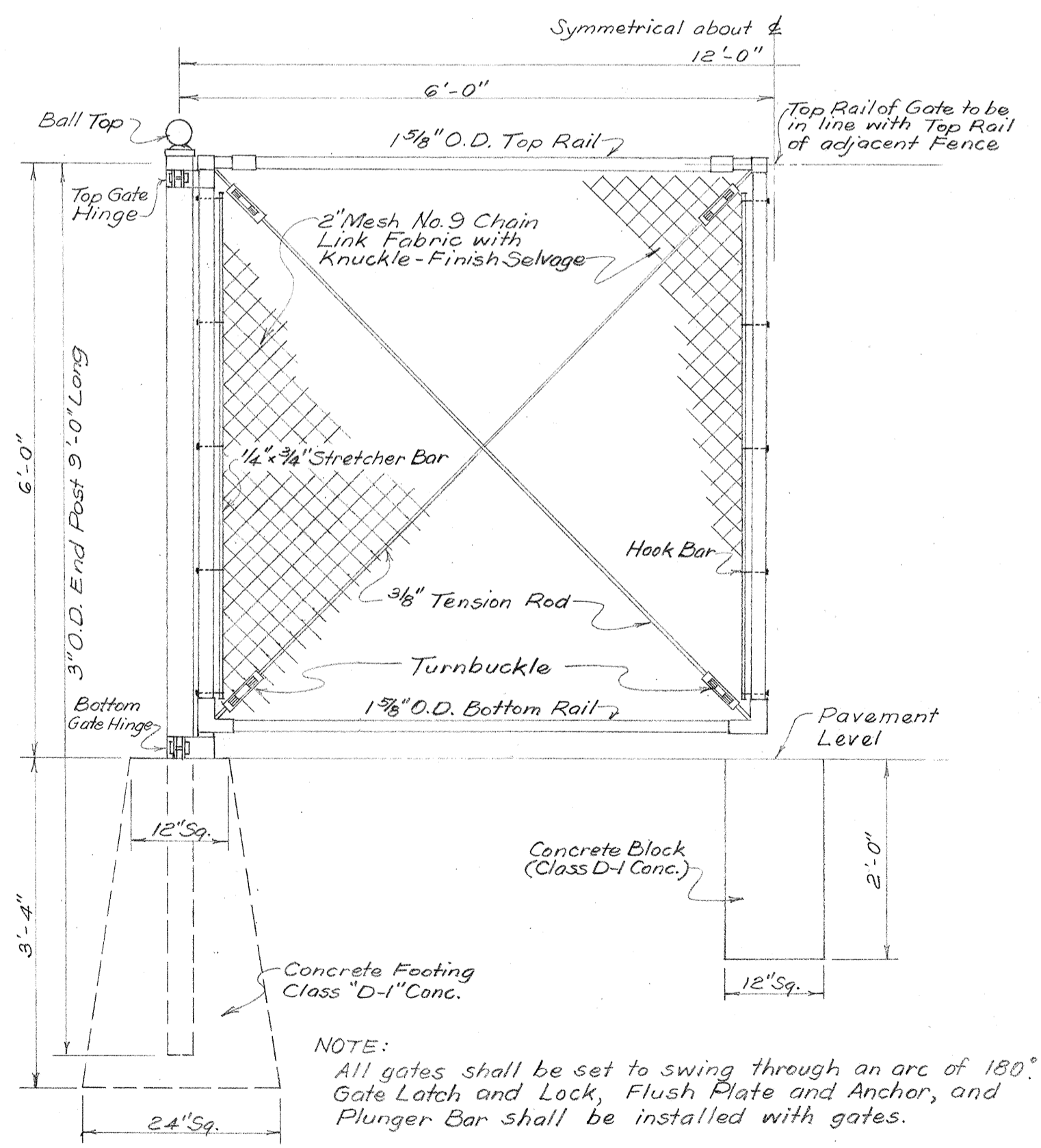
ELEVATION SHOWING MONOTUBE LIGHTING STANDARD ON CONCRETE BASE IN GROUND
Scale: 3/4" = 1'-0"



SECTION "A-A"
DETAIL OF PULL BOX
TYPE "A"
Scale: 1" = 1'-0"



ELEVATION AT END POST
TYPICAL SECTION
ELEVATION AT LINE POST
DETAIL OF CHAIN LINK FENCE
Scale: 3/4" = 1'-0"



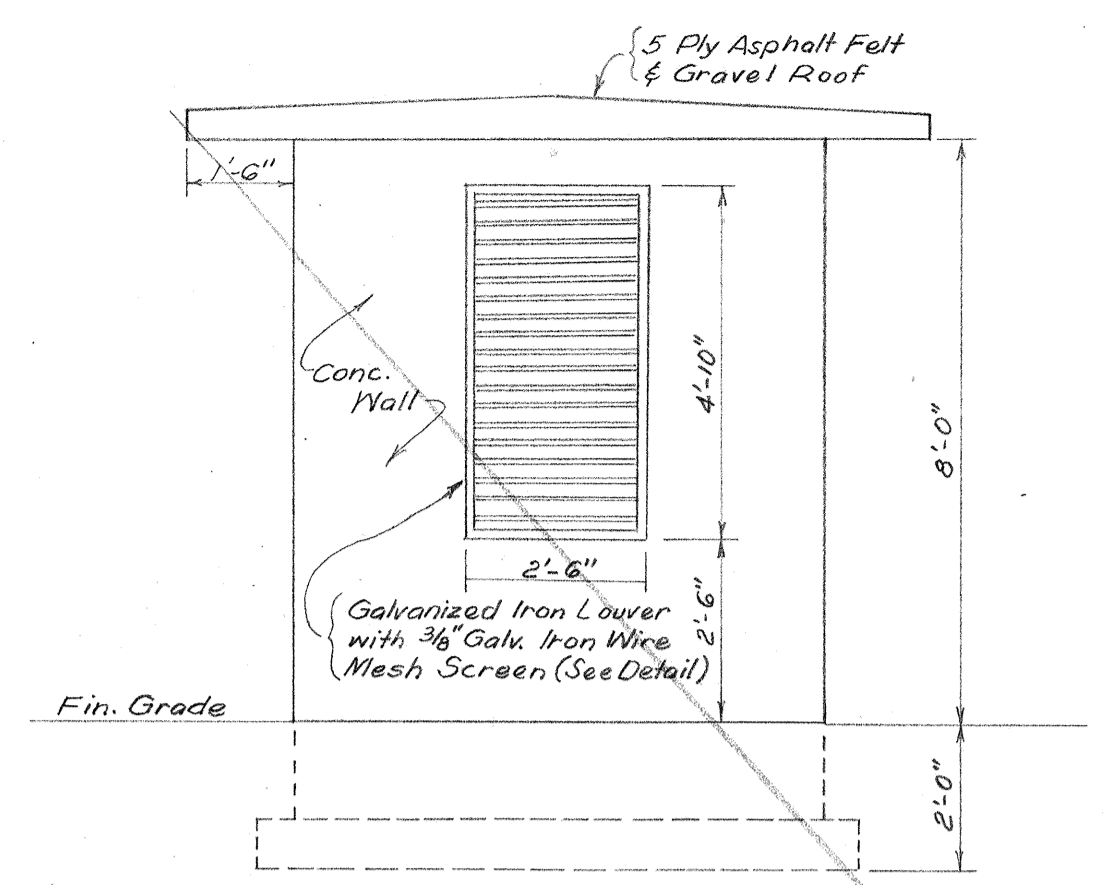
ONE HALF ELEVATION
DETAIL OF CHAIN LINK GATE
Scale: 3/4" = 1'-0"

NOTE:
All gates shall be set to swing through an arc of 180°. Gate Latch and Lock, Flush Plate and Anchor, and Plunger Bar shall be installed with gates.

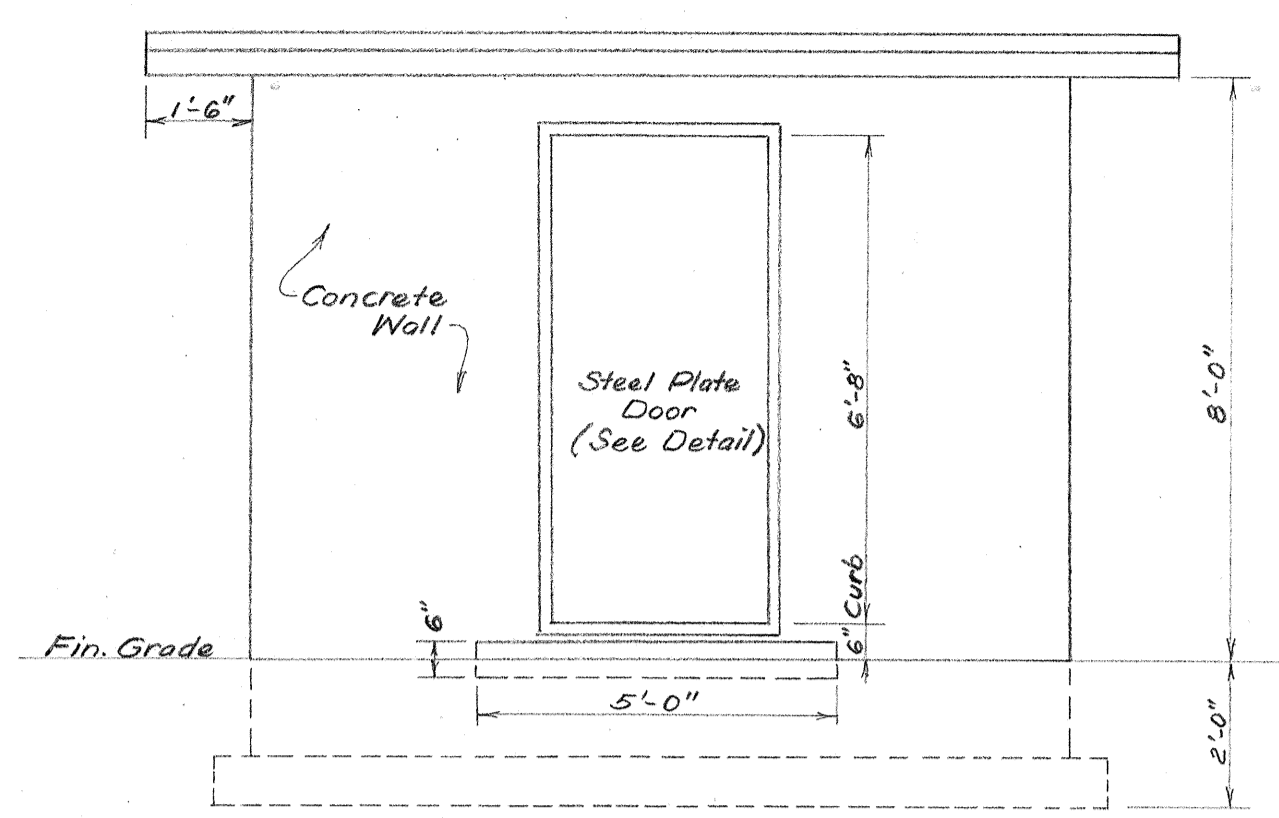
TERRITORIAL HIGHWAY DEPARTMENT
TERRITORY OF HAWAII
DETAILS FOR
HIGHWAY LIGHTING SYSTEM
AND DETAIL OF CHAIN LINK FENCE
HONOLULU - PEARL HARBOR ROAD
HALEKAUWILA-ALA MOANA SECTION
PROJECT NO. U 44 (6)
SCALE: AS INDICATED
JANUARY 1951

SURVEY PLOTTED BY	DATE
DESIGNED BY	
DRAWN BY	
CHECKED BY	
NOTE BOOK	
QUANTITIES CHECKED BY	
NO.	

FED. ROAD DIST. NO.	STATE	FED. AID PROJ. NO.	FISCAL YEAR	SHEET NO.	TOTAL SHEETS
HAWAII	HAW	U 44(G)	1951	21	44

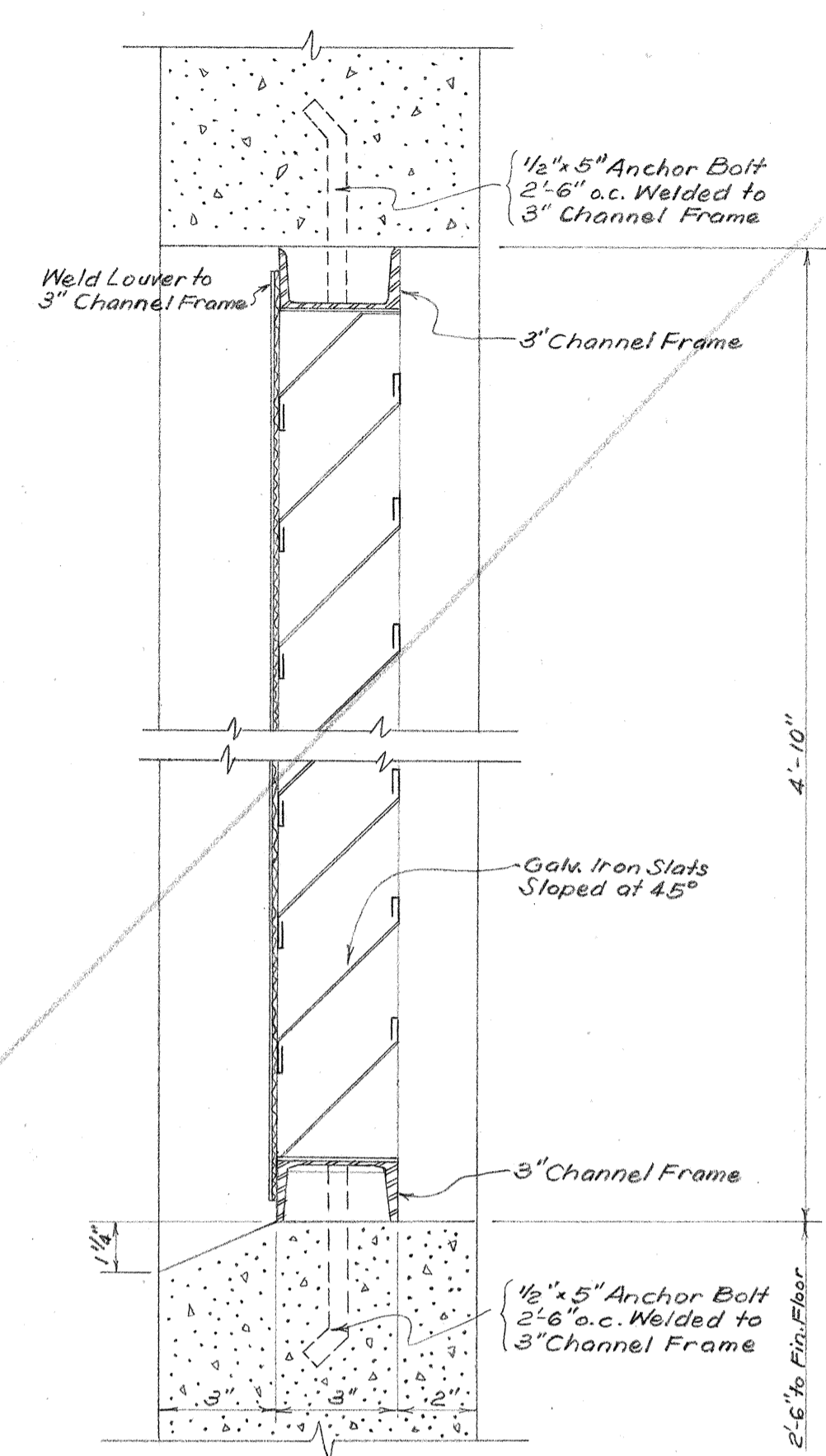


EAST ELEVATION
(WEST ELEVATION SIMILAR)
Scale: 3/8"=1'-0"

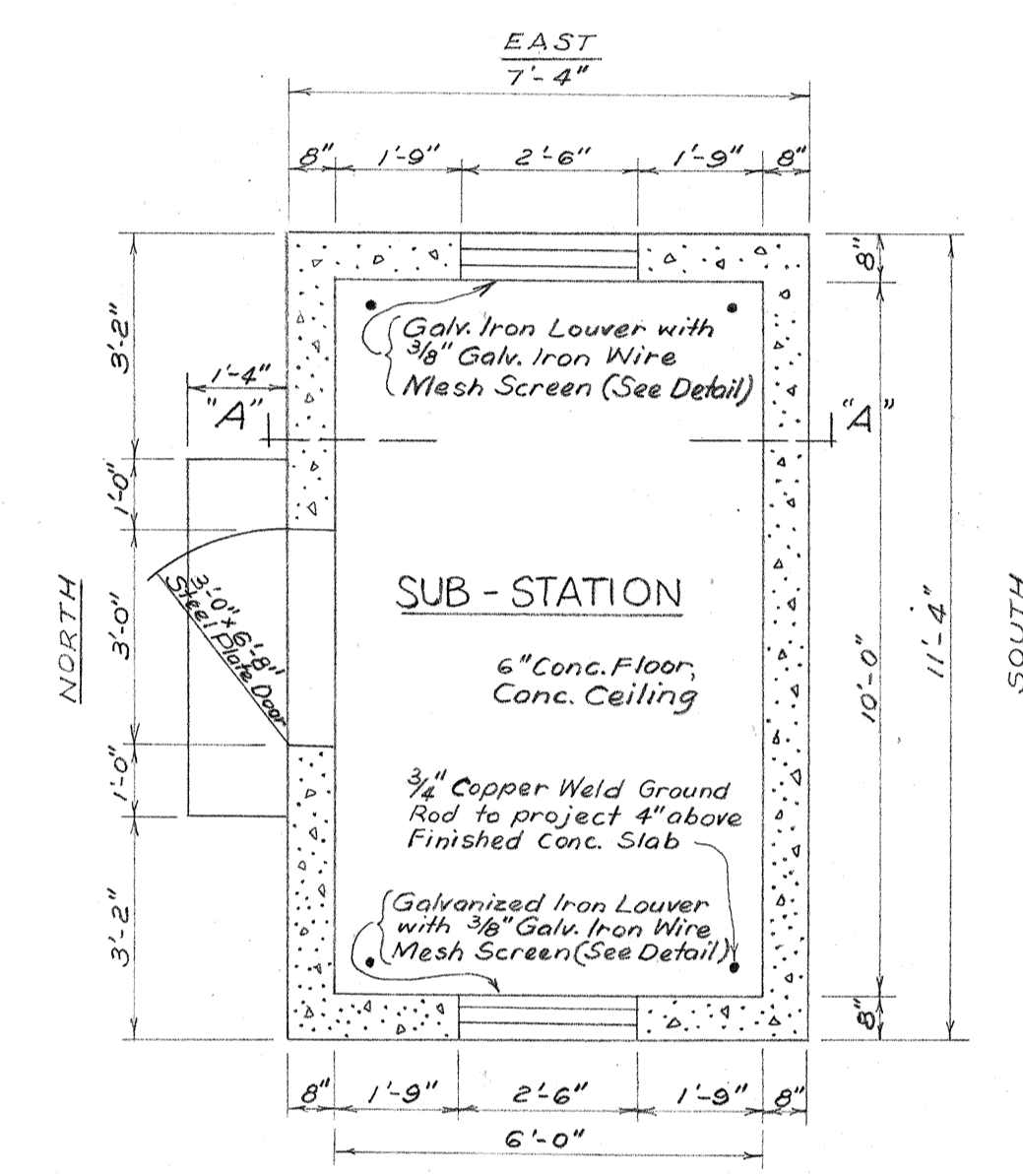


NORTH ELEVATION
Scale: 3/8"=1'-0"

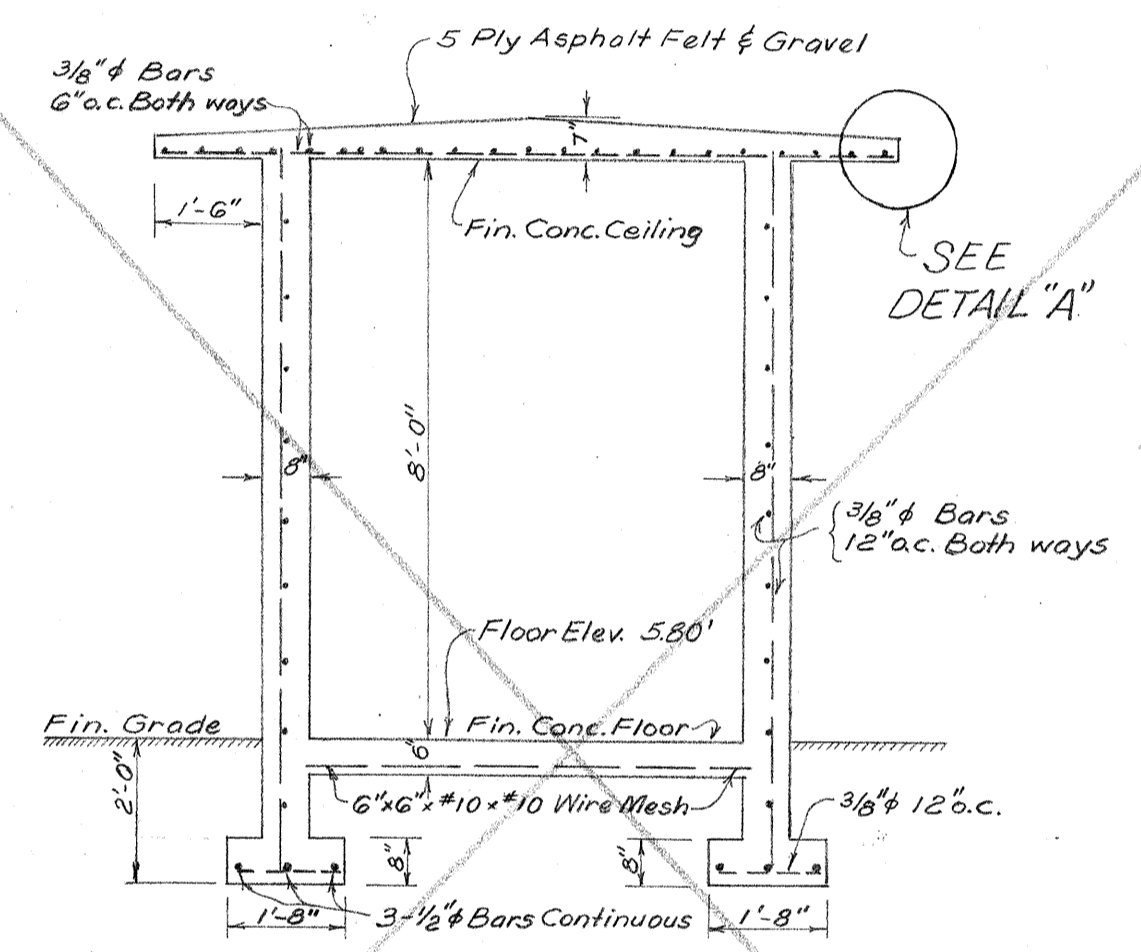
DELETED



LOUVER DETAIL
Scale: 3"=1'-0"

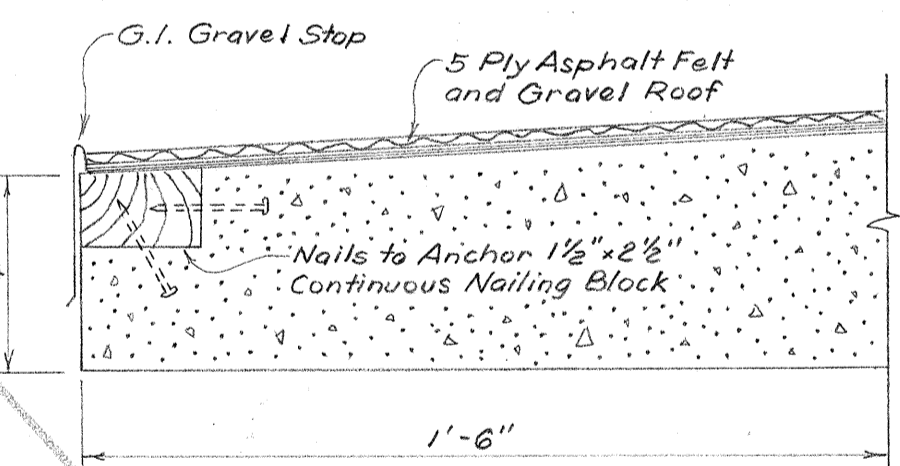


WEST FLOOR PLAN
Scale: 3/8"=1'-0"

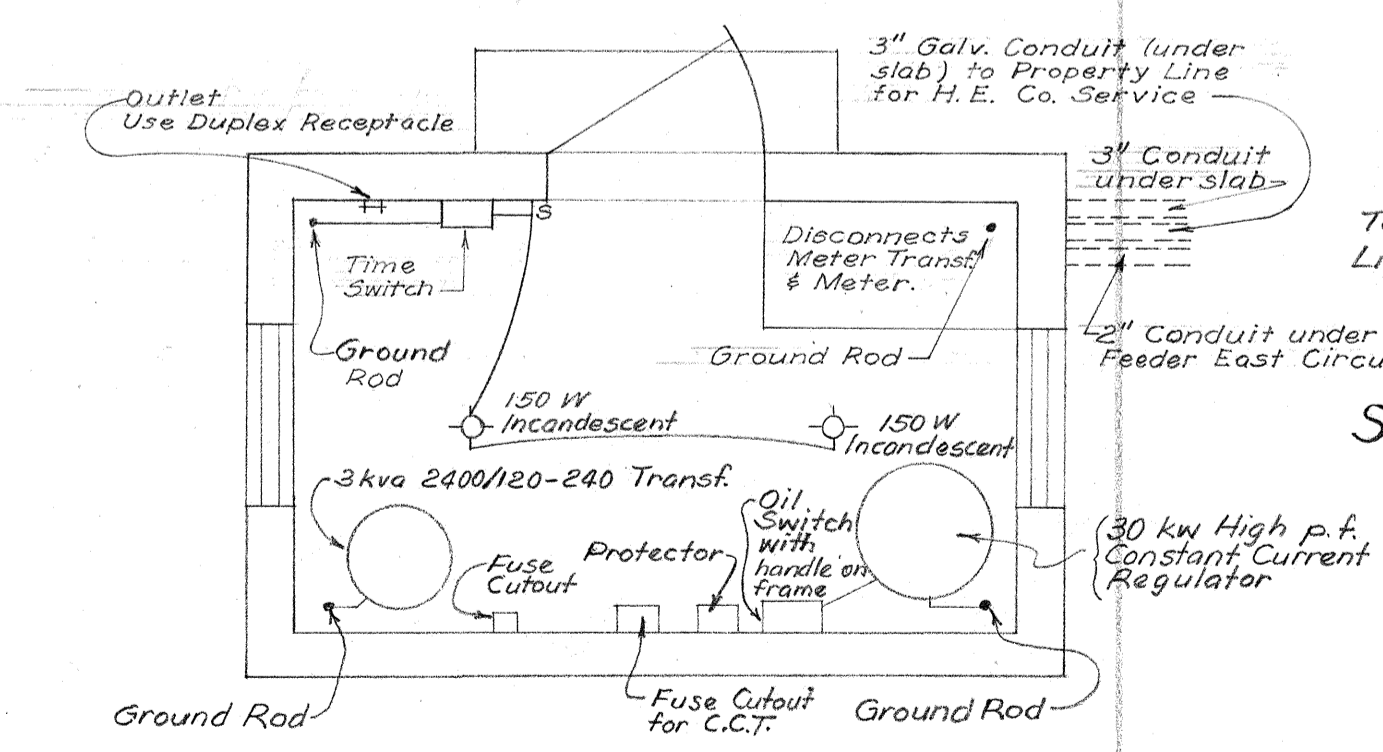


SECTION "A-A"
Scale: 3/8"=1'-0"

SUB STATION FOR HIGHWAY LIGHTING SYSTEM
Scale: As Indicated

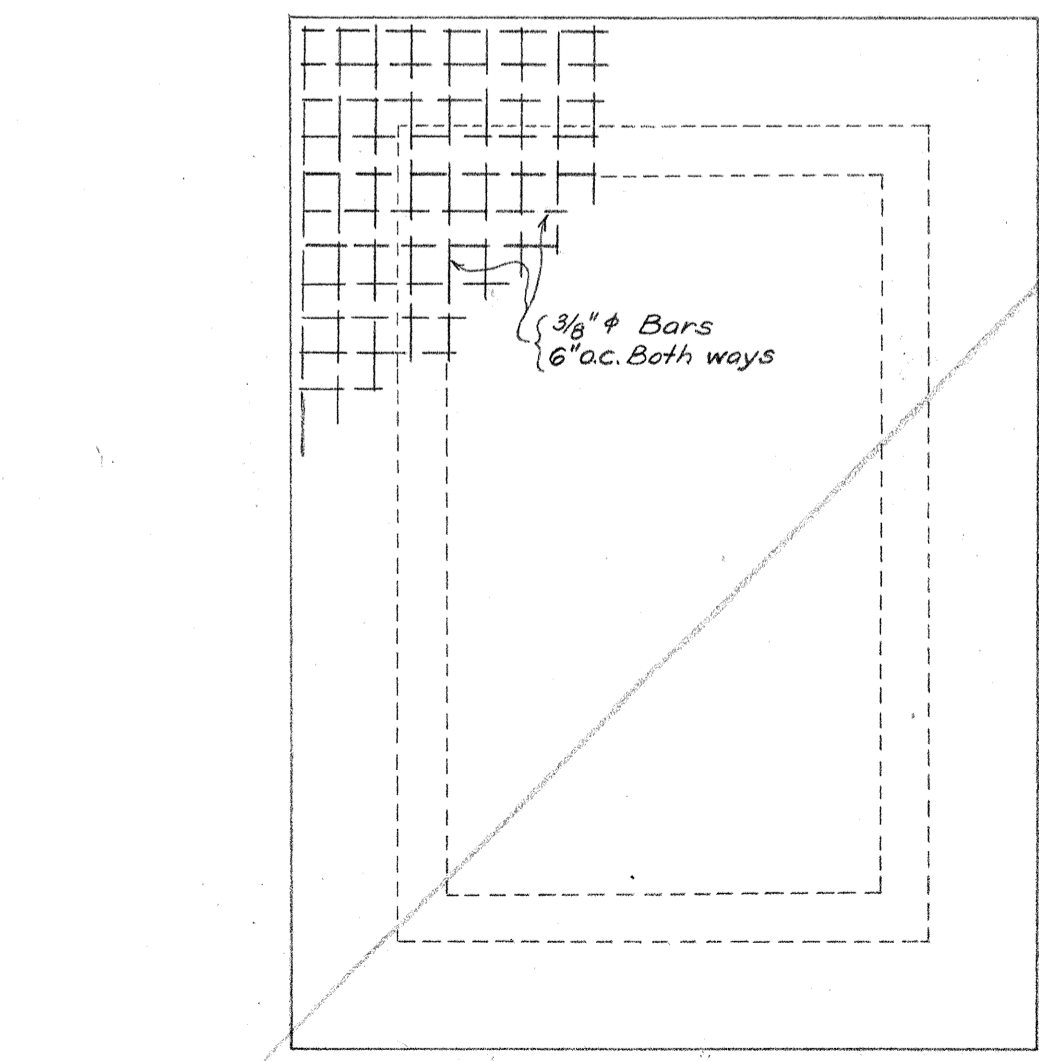


DETAIL "A"
Scale: 3"=1'-0"

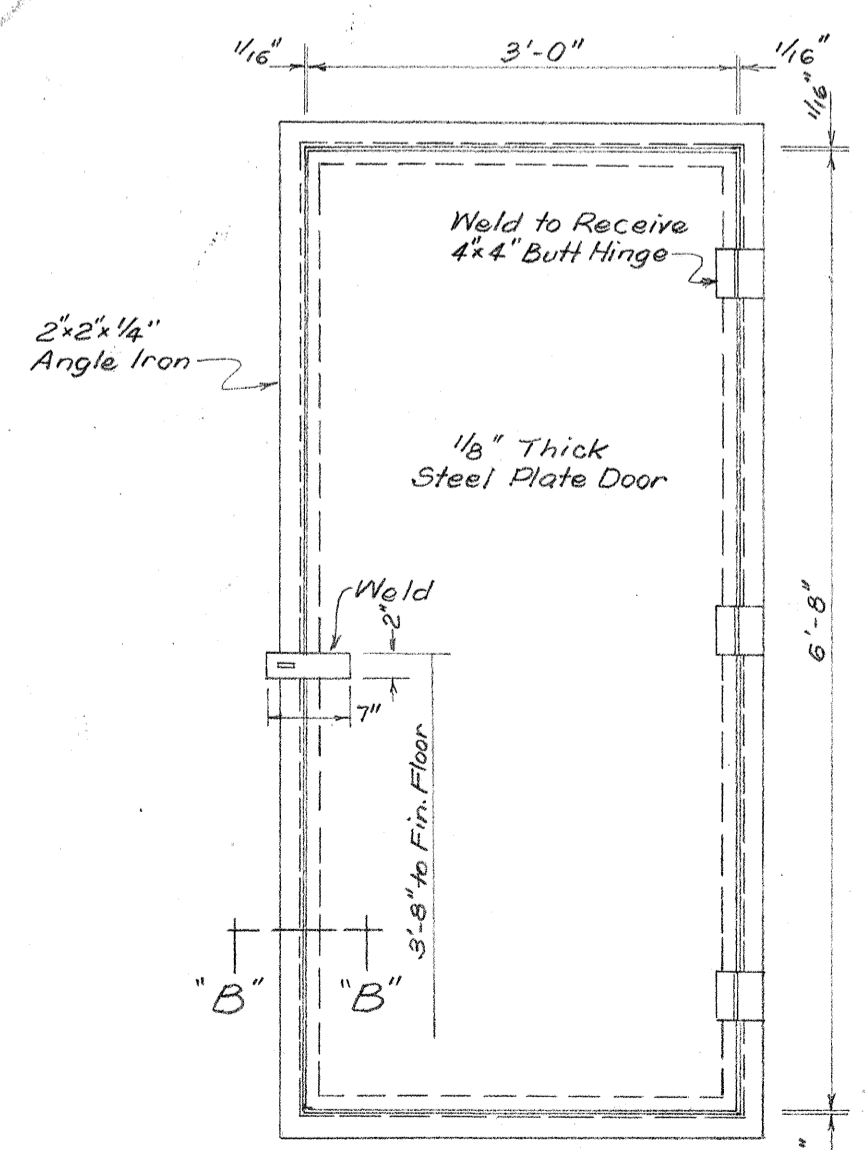


PLAN
SUB-STATION & CONTROL EQUIPMENT
Not to Scale

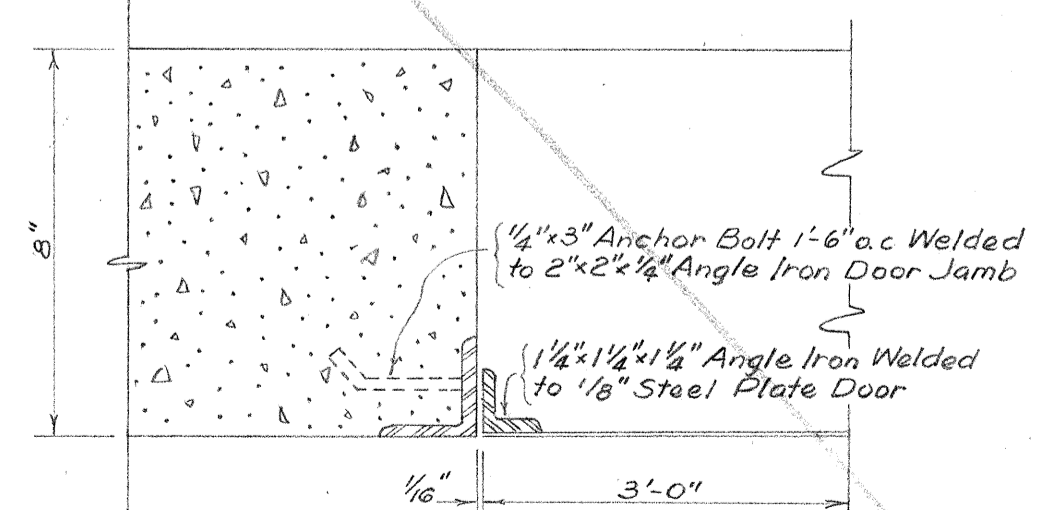
SCHEMATIC
SUB-STATION CONTROL CIRCUIT
Not to Scale



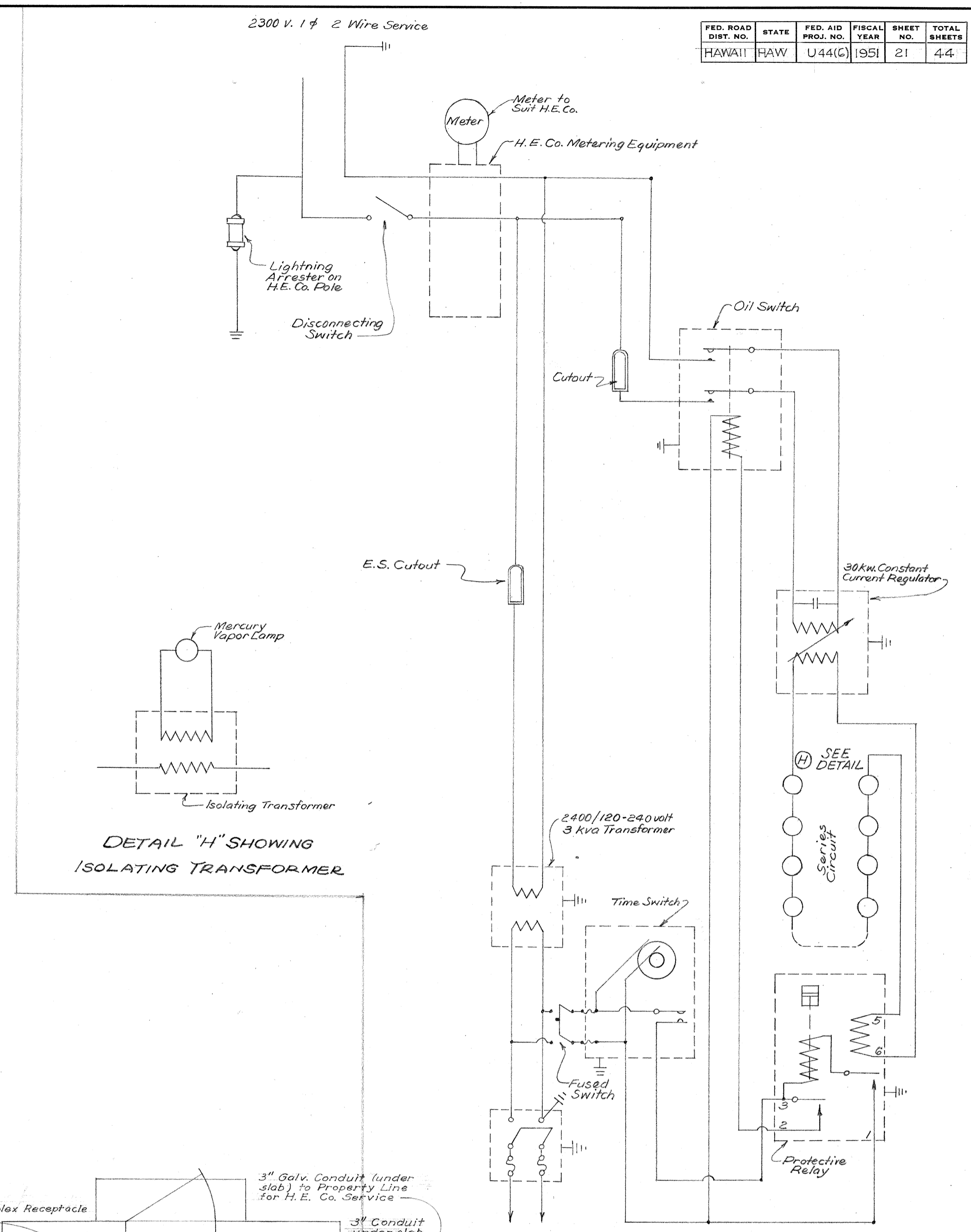
ROOF PLAN
Scale: 3/8"=1'-0"



DOOR DETAIL
Scale: 3/4"=1'-0"



SECTION "B-B"
Scale: 3"=1'-0"



DETAIL "H" SHOWING
ISOLATING TRANSFORMER

DATE	DESIGNED BY	DRAWN BY	CHECKED BY

TERRITORIAL HIGHWAY DEPARTMENT
TERRITORY OF HAWAII
SUB-STATION for
HIGHWAY LIGHTING SYSTEM
and CONTROL CIRCUIT
HONOLULU PEARL HARBOR ROAD
HALEKAUWILA - ALA MOANA SECTION
FEDERAL AID URBAN PROJ. NO. U 44(G)
Scale: As Noted JANUARY 1951