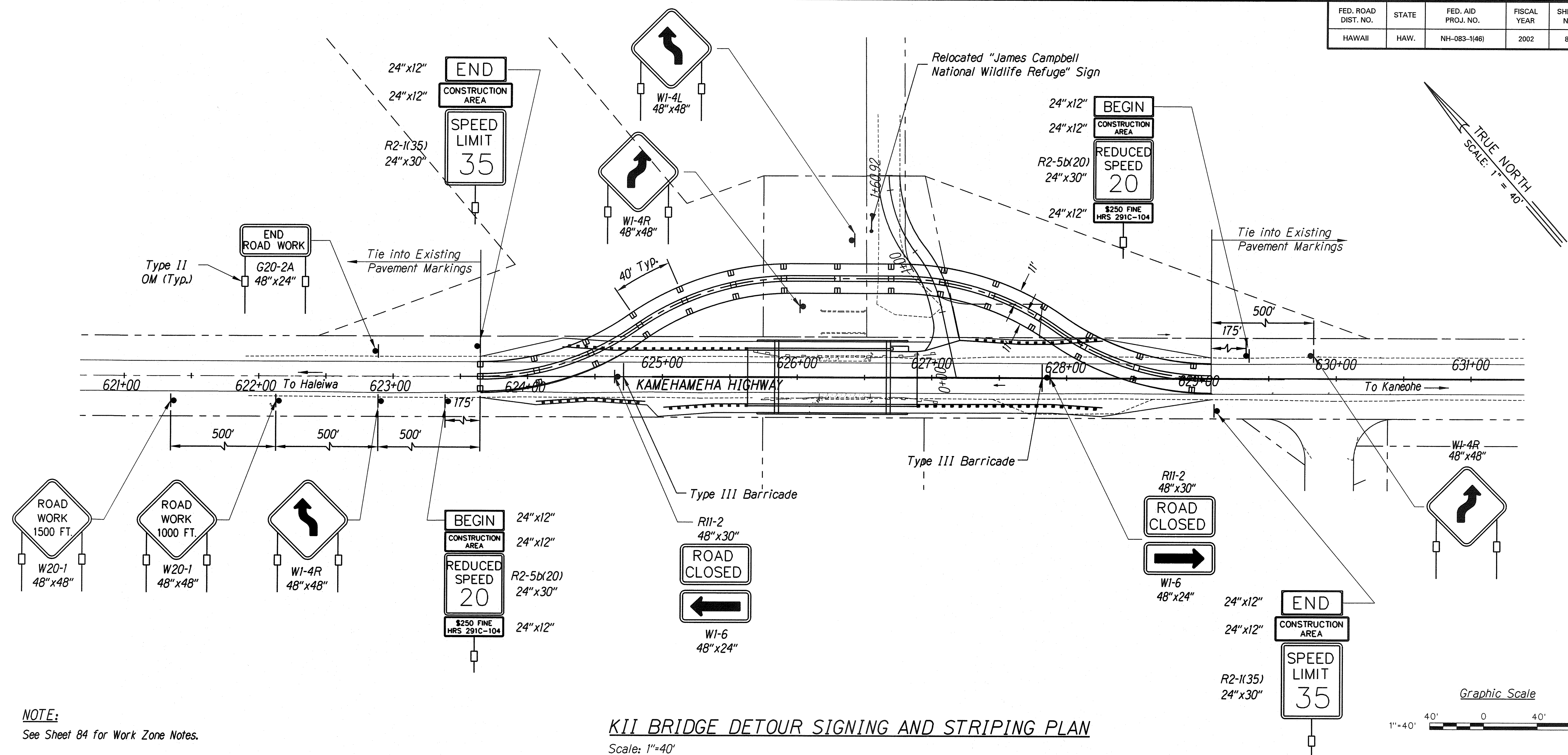
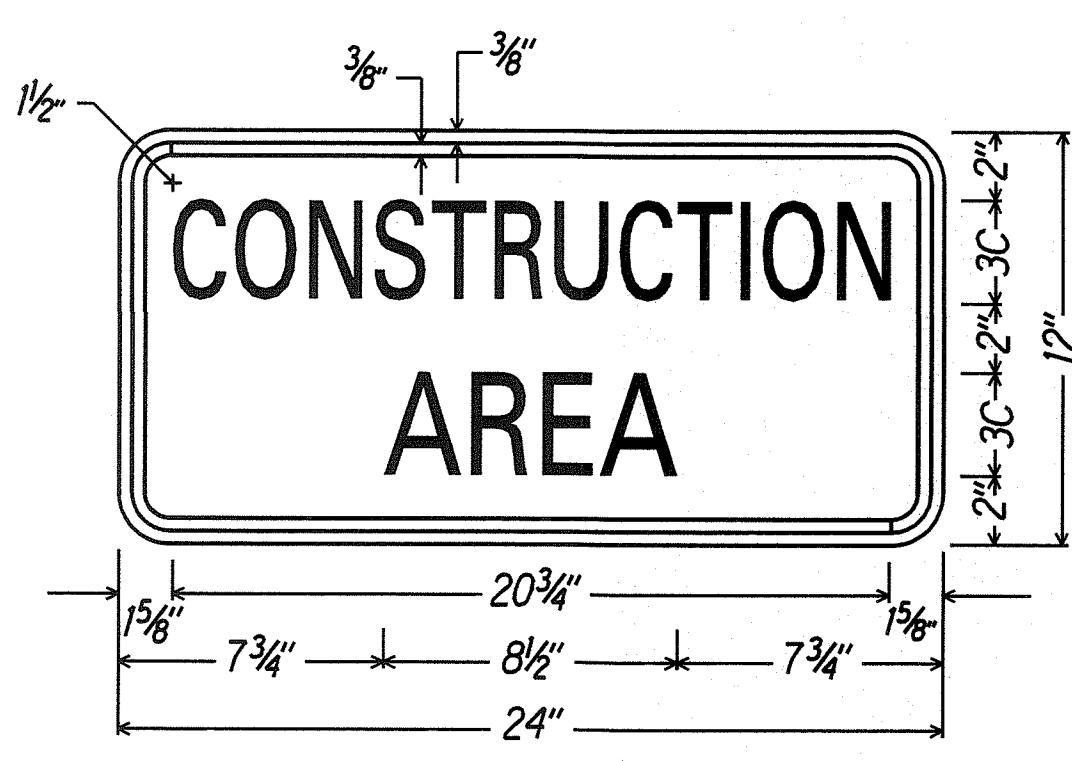


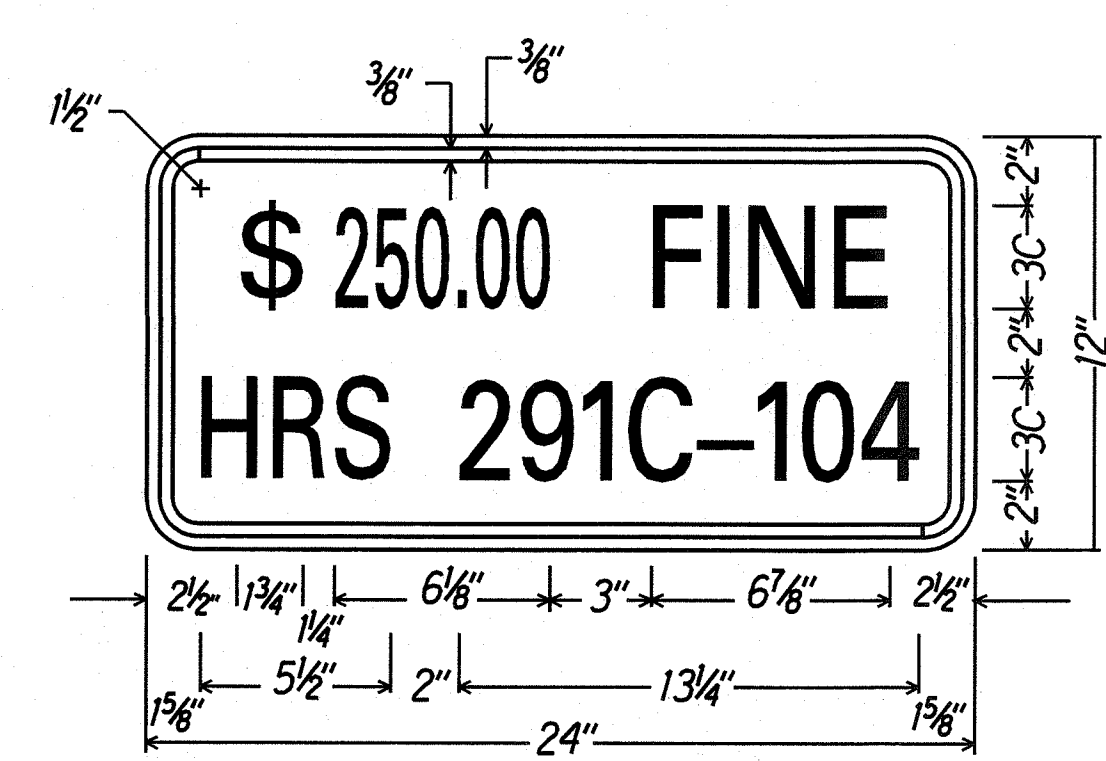
FED. ROAD DIST. NO.	STATE	FED. AID PROJ. NO.	FISCAL YEAR	SHEET NO.	TOTAL SHEETS
HAWAII	HAW.	NH-083-1(46)	2002	82	89



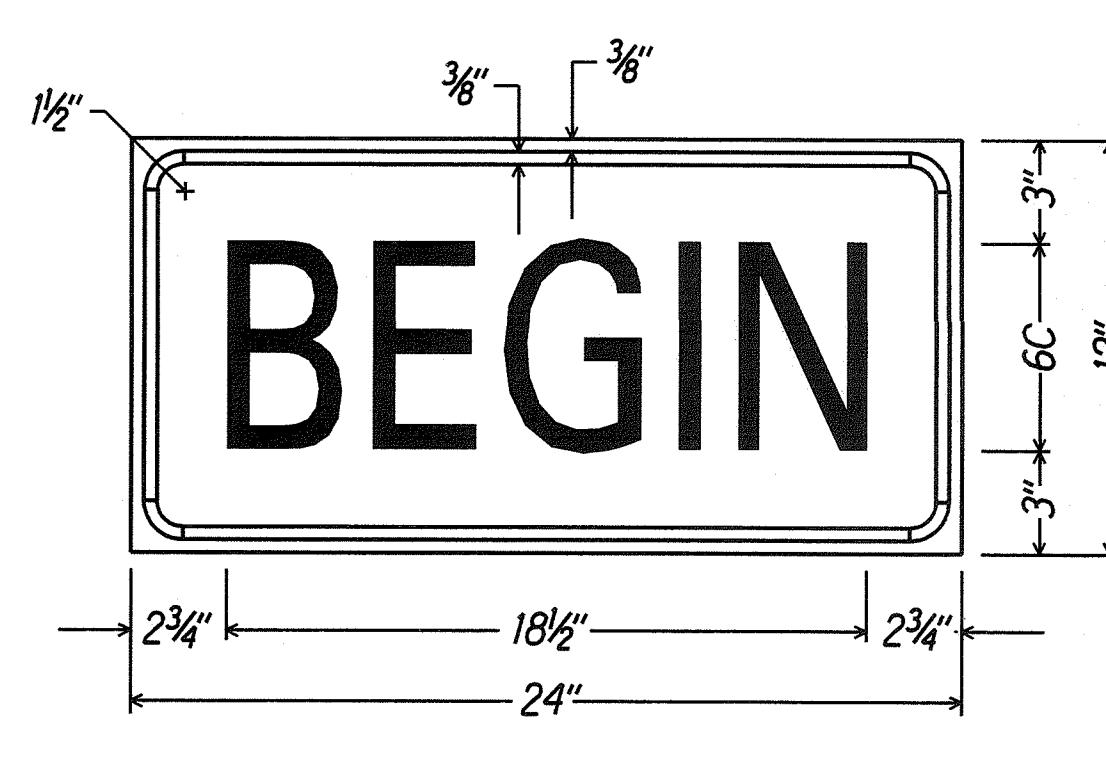
KII BRIDGE DETOUR SIGNING AND STRIPING PLAN
Scale: 1"=40'



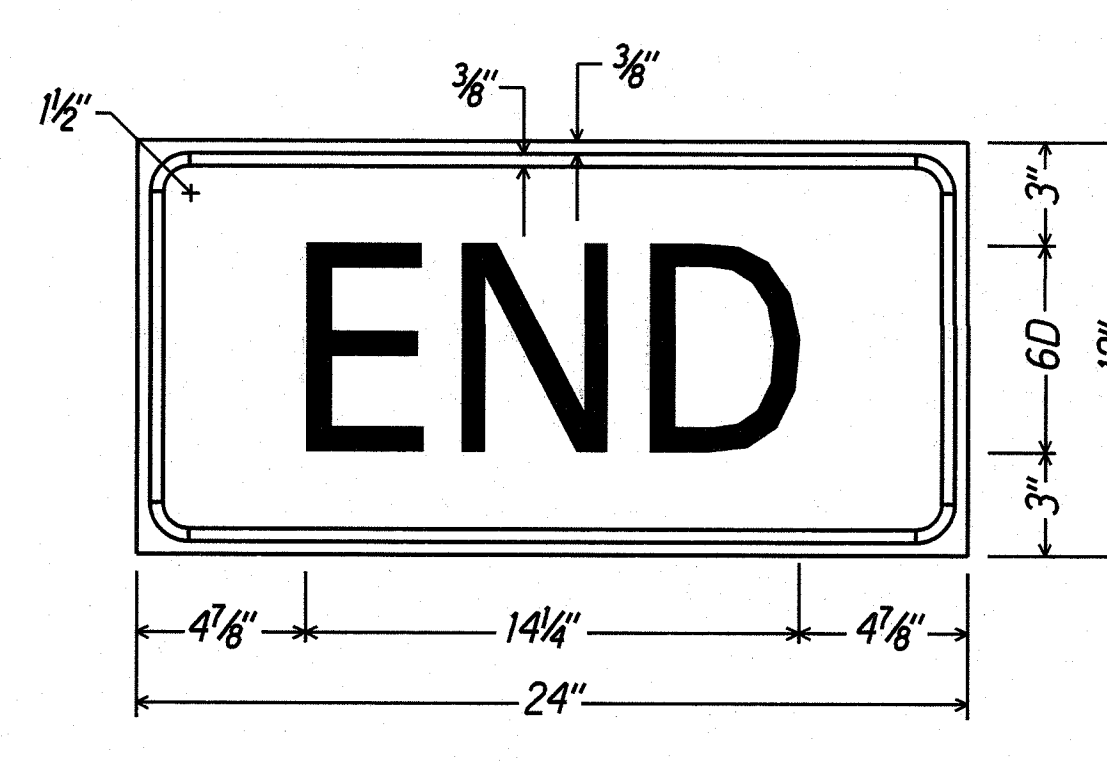
LEGEND: BLACK BACKGROUND: ORANGE



LEGEND: BLACK BACKGROUND: WHITE

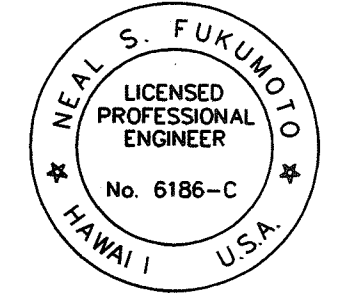


LEGEND: BLACK BACKGROUND: ORANGE



LEGEND: BLACK BACKGROUND: ORANGE

SURVEY PLOTTED BY	DATE
DESIGNED BY	
TRACED BY	
DESIGNED BY	
QUANTITIES BY	
CHECKED BY	
ORIGINAL PLAN	
NOTE BOOK	
NO.	



This work was prepared by me or under my supervision. Exp. 04-30-10
Neal S. Fukimoto
Wesley R. Segawa & Associates, Inc.

STATE OF HAWAII
DEPARTMENT OF TRANSPORTATION
HIGHWAYS DIVISION

KII BRIDGE DETOUR
SIGNING & STRIPING PLAN
KAMEHAMEHA HIGHWAY DRAINAGE IMPROVEMENTS
Vicinity of Kahuku Hospital and Replacement of Kii Bridge
Federal Aid Project No. NH-083-1(46)
Scale: As Noted Date: April 2004

AS-BUILT