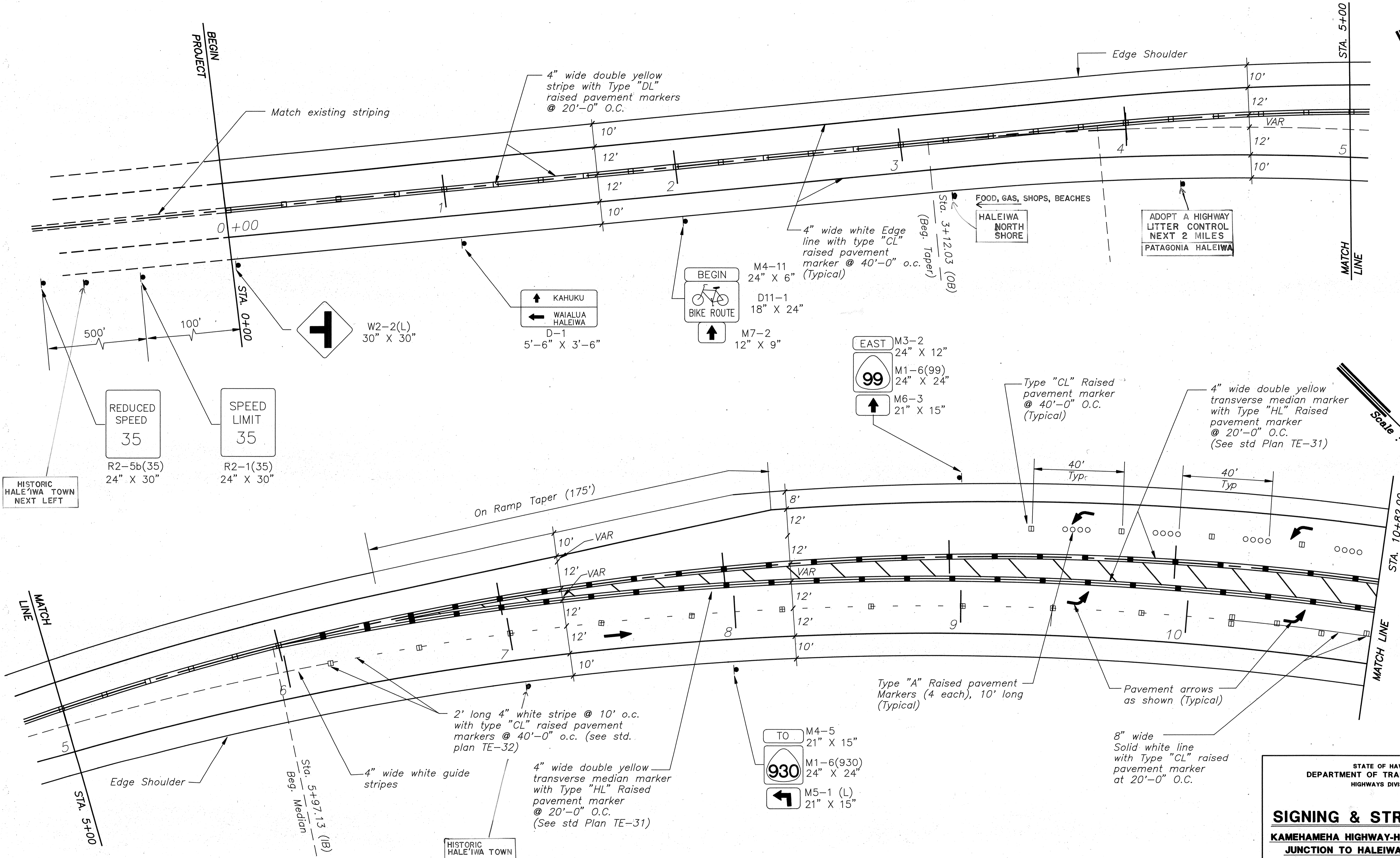
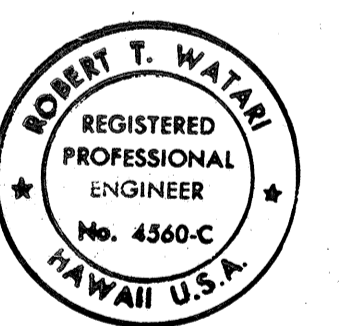


FED. ROAD DIST. NO.	STATE	FED. AID PROJ. NO.	FISCAL YEAR	SHEET NO.	TOTAL SHEETS
HAWAII	HAW.	83A-01-92	1992	71	162



True North
Scale: 1" = 20'

True North
Scale: 1" = 20'



THIS WORK WAS PREPARED BY ME OR UNDER MY SUPERVISION.
Robert T. Water

STATE OF HAWAII
DEPARTMENT OF TRANSPORTATION
HIGHWAYS DIVISION

SIGNING & STRIPING PLAN
KAMEHAMEHA HIGHWAY-HELEMANO/WAIALUA
JUNCTION TO HALEIWA BEACH PARK
(ROADWAY)
PROJ. NO. 83A-01-92

11/22/91	Revised signing and striping plan
DATE	REVISION

SHEET No. C71 OF 85 SHEETS

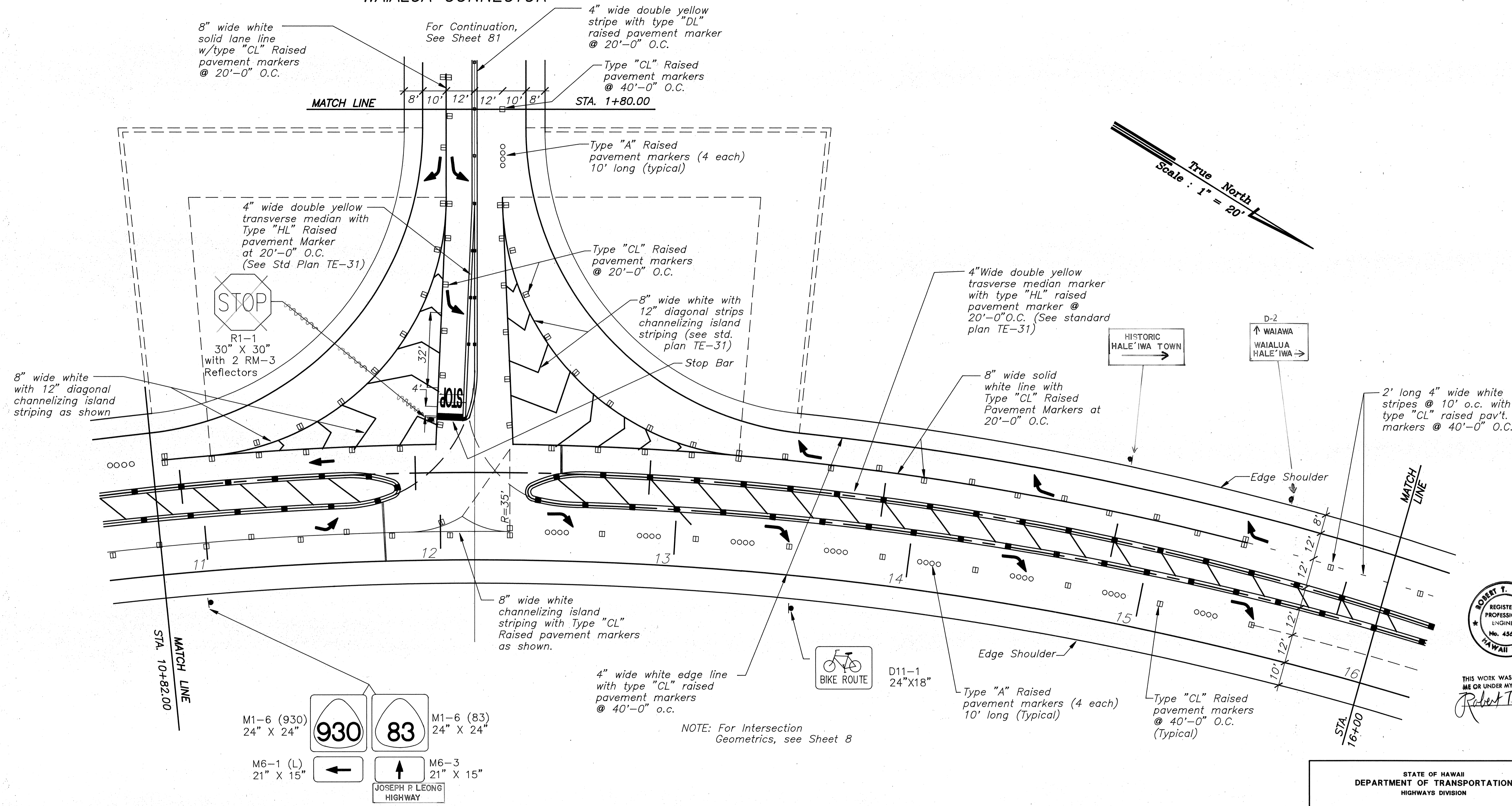
ADD. 71

DATE	
SURVEY PLOTTED BY	
TRACED BY	
DESIGNED BY	
CHECKED BY	
NO.	

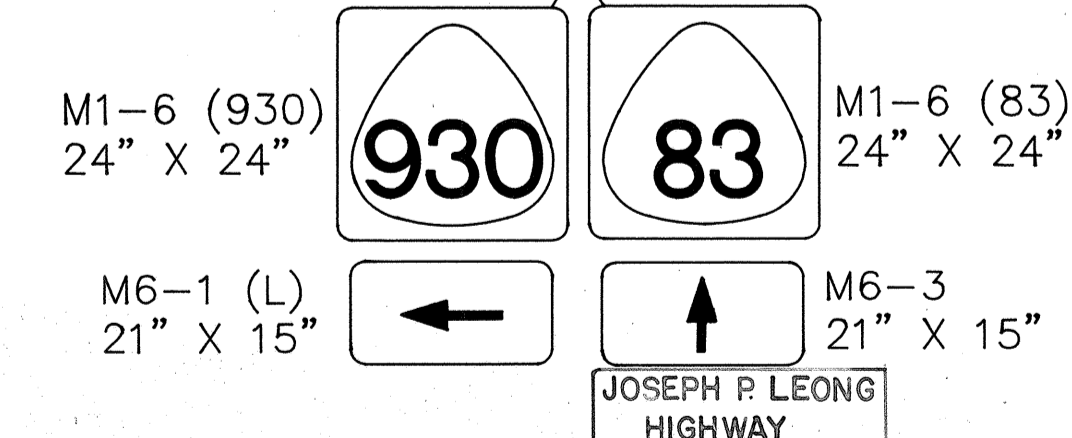
88-68 ST-REV2.DWG DISK REVISED SIGNS & STRIPING (7) PLOT: 1=20 11/22/91

FED.ROAD DIST.NO.	STATE	FED.AID PROJ.NO.	FISCAL YEAR	SHEET NO.	TOTAL SHEETS
HAWAII	HAW.	83A-01-92	1992	72	162

WAIALUA CONNECTOR

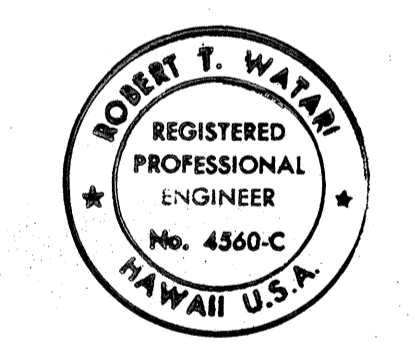


88-68 S2-REV2.DWG DISK-REVISED SIGNS & STRIPING (7) PLOT:1=20 12/1/91
 ORIGINAL PLAN DATE: _____
 DRAWN BY: _____
 TRACED BY: _____
 DESIGNED BY: _____
 CHECKED BY: _____
 No. _____



NOTE: For Intersection Geometrics, see Sheet 8

REMARKS: WAIALUA CONNECTOR INTERSECTION PLAN
 REFER C.O. I6IS-I6
 SIGNING & STRIPING PLAN



THIS WORK WAS PREPARED BY ME OR UNDER MY SUPERVISION.
Robert T. Water

STATE OF HAWAII
 DEPARTMENT OF TRANSPORTATION
 HIGHWAYS DIVISION

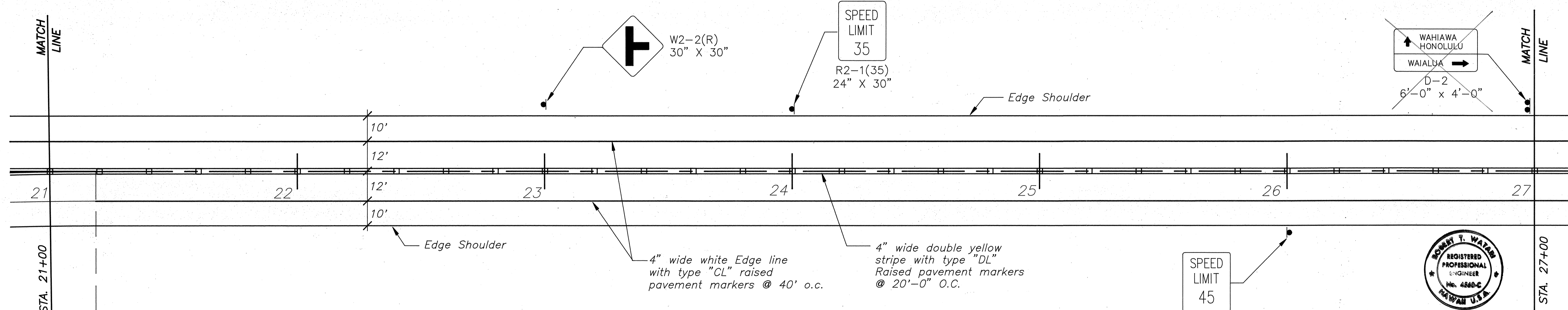
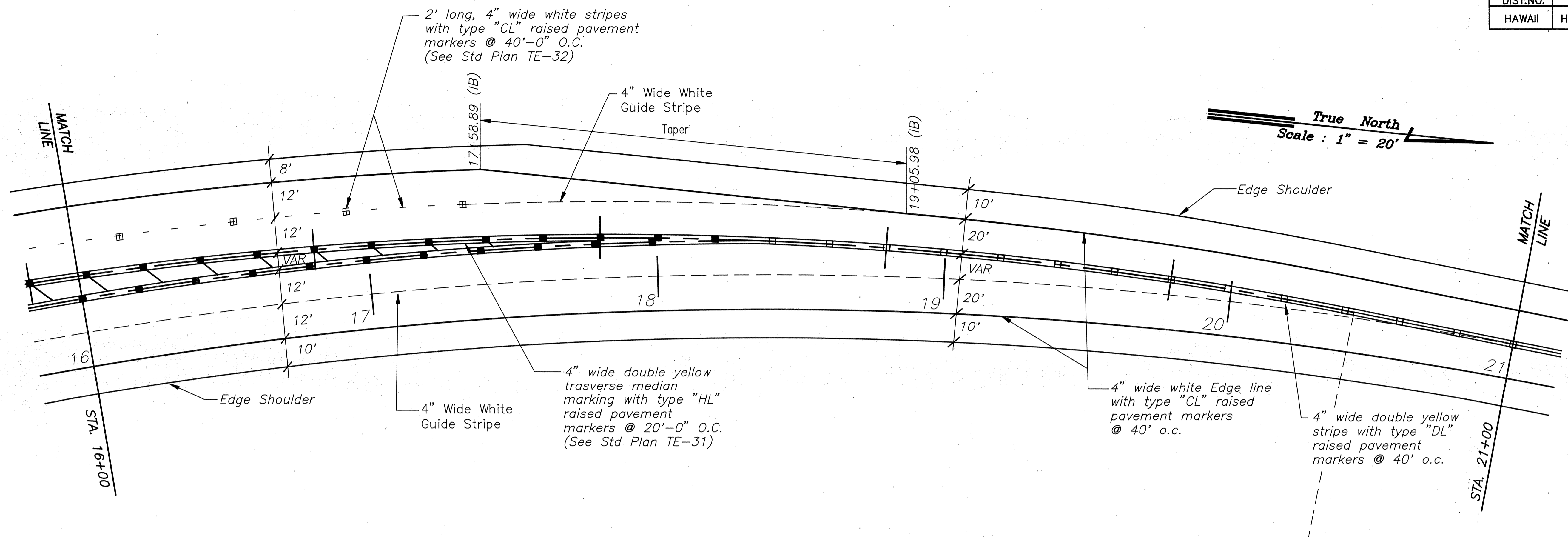
SIGNING & STRIPING PLAN
**KAMEHAMEHA HIGHWAY-HELEMANO/WAIALUA
 JUNCTION TO HALEIWA BEACH PARK
 (ROADWAY)**
PROJ. NO. 83A-01-92

DATE	REVISION
11/22/91	Revised signing and striping plan

SHEET No. C72 OF 85 SHEETS

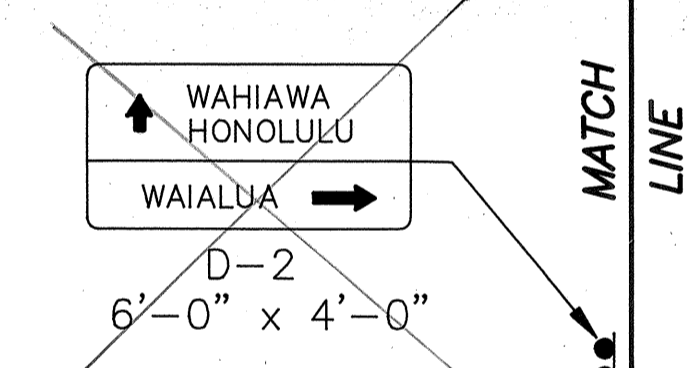
ADD 72

FED. ROAD DIST. NO.	STATE	FED. AID PROJ. NO.	FISCAL YEAR	SHEET NO.	TOTAL SHEETS
HAWAII	HAW.	83A-01-92	1992	73	162



True North
Scale : 1" = 20'

SPEED LIMIT
45
R2-1(45)
24" X 30"



THIS WORK WAS PREPARED BY
ME OR UNDER MY SUPERVISION
Robert T. Wilson

STATE OF HAWAII
DEPARTMENT OF TRANSPORTATION
HIGHWAYS DIVISION

SIGNING & STRIPING PLAN
KAMEHAMEHA HIGHWAY-HELEMANO/WAIALUA
JUNCTION TO HALEIWA BEACH PARK
(ROADWAY)
PROJ. NO. 83A-01-92

DATE	REVISION
11/22/91	Revised signing and striping plan

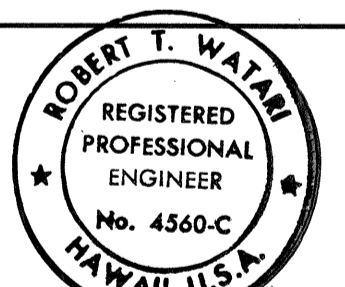
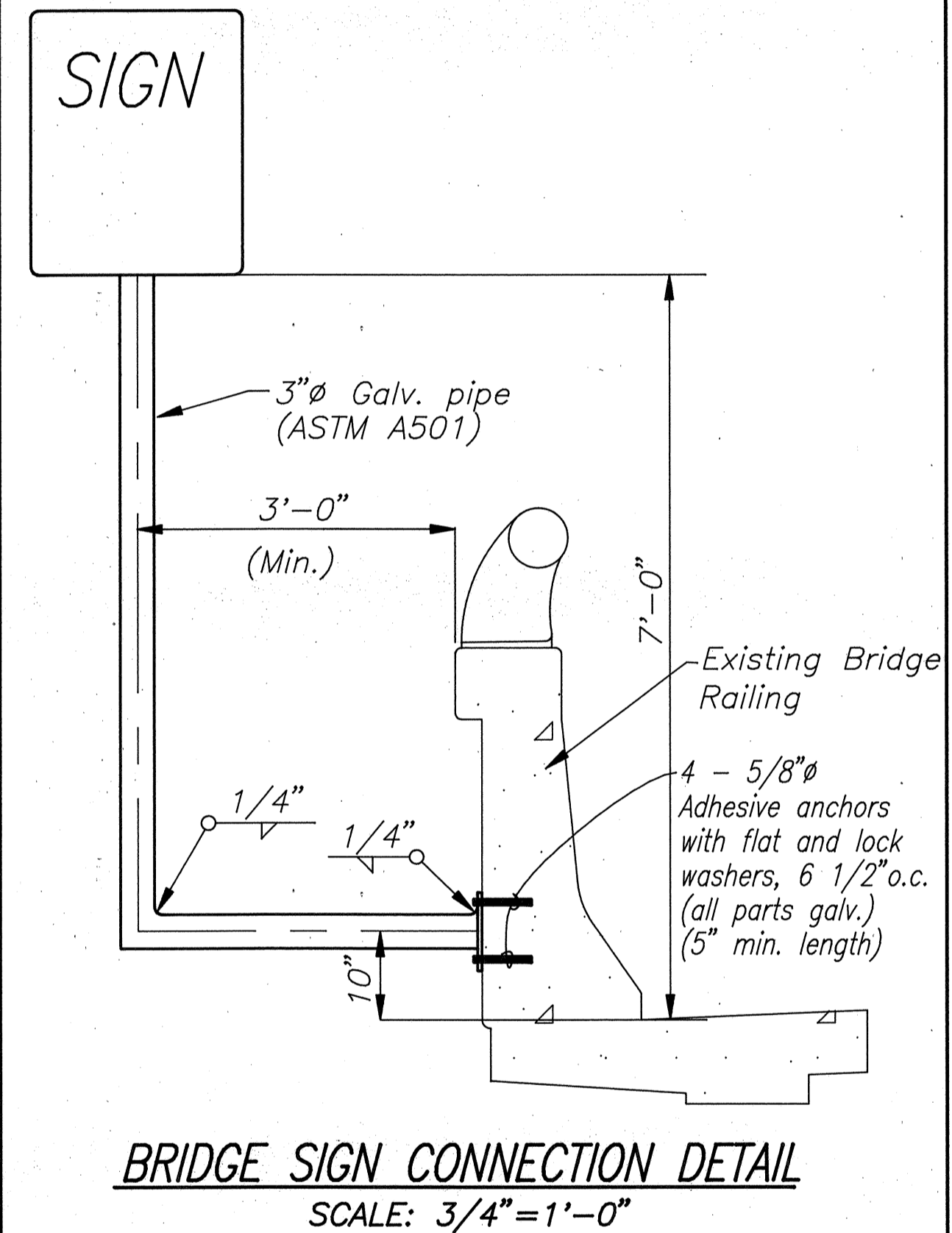
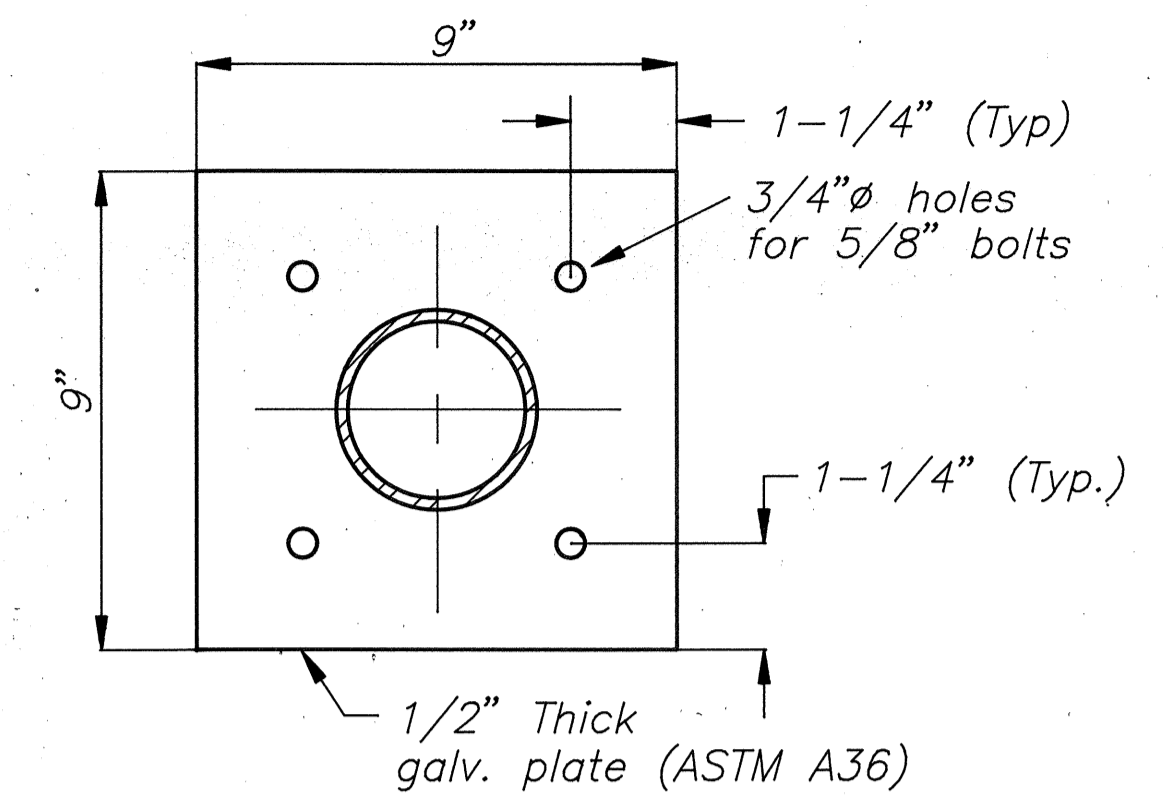
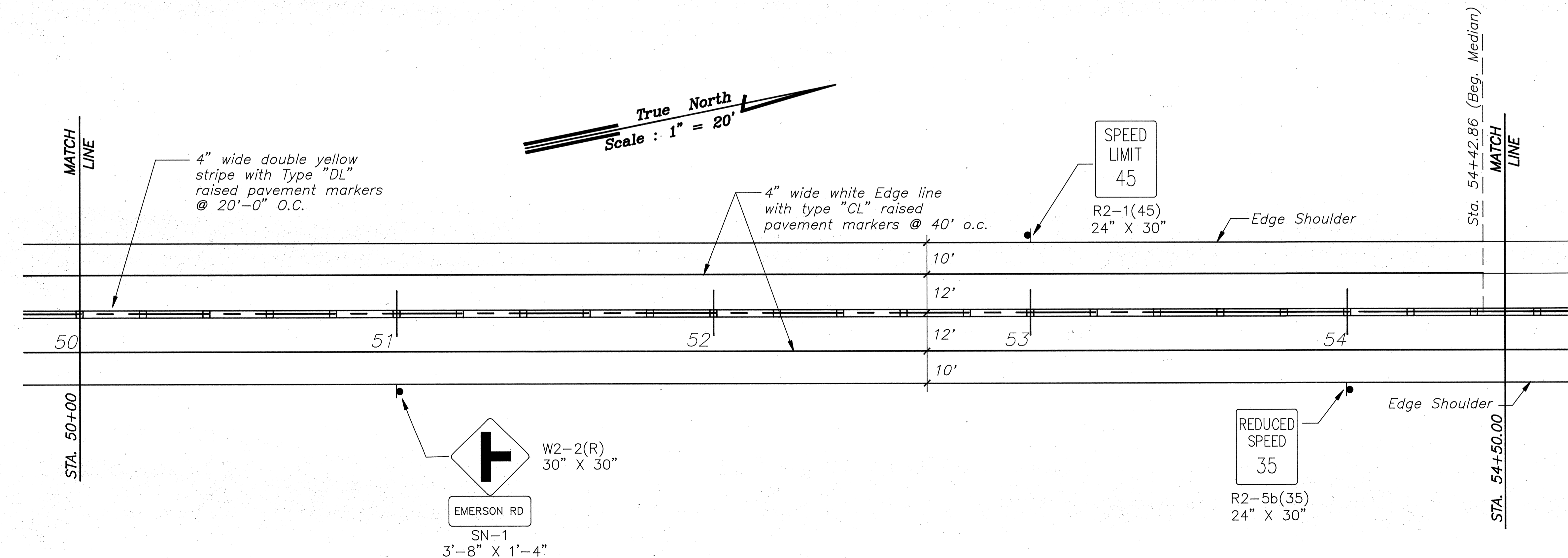
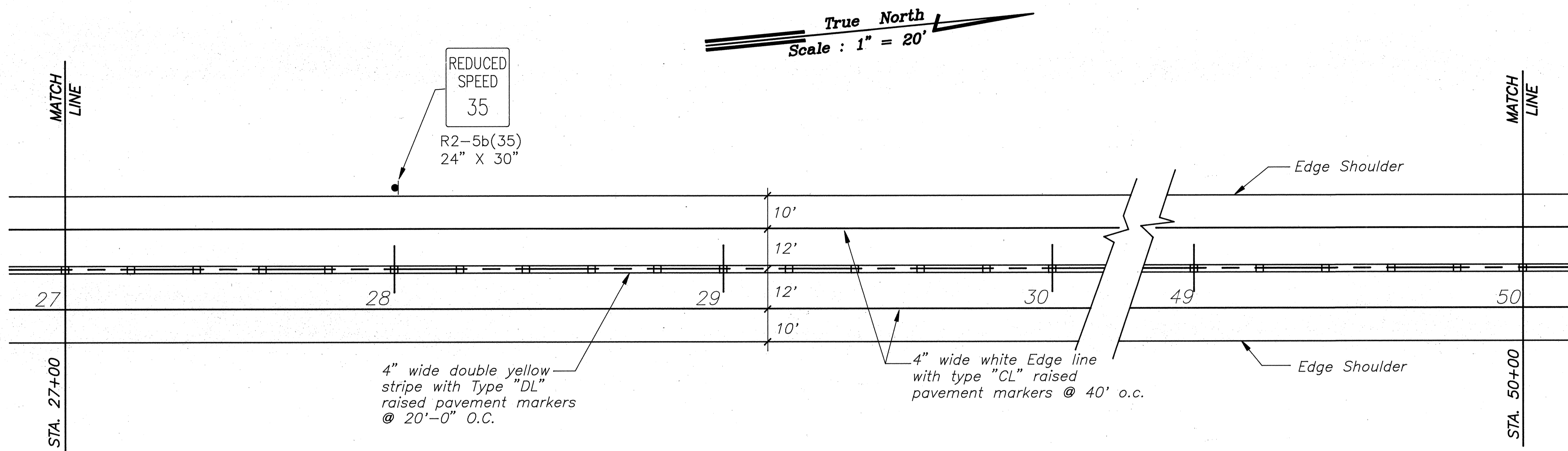
SHEET No. 073 OF 85 SHEETS

ADD. 73

88-68 S3-REV2.DWG DISK-REVISED SIGNS & STRIPING (7) PLOT:1=20 12/12/91

DATE: _____
SURVEY OBTAINED BY: _____
DRAWN BY: _____
DESIGNED BY: _____
CHECKED BY: _____

FED. ROAD DIST. NO.	STATE	FED. AID PROJ. NO.	FISCAL YEAR	SHEET NO.	TOTAL SHEETS
HAWAII	HAW.	83A-01-92	1992	74	162



THIS WORK WAS PREPARED BY ME OR UNDER MY SUPERVISION.

STATE OF HAWAII
DEPARTMENT OF TRANSPORTATION
HIGHWAYS DIVISION

SIGNING & STRIPING PLAN
KAMEHAMEHA HIGHWAY-HELEMANO/WAIALUA
JUNCTION TO HALEIWA BEACH PARK
(ROADWAY)
PROJ. NO. 83A-01-92

SHEET No. C74 OF 85 SHEETS

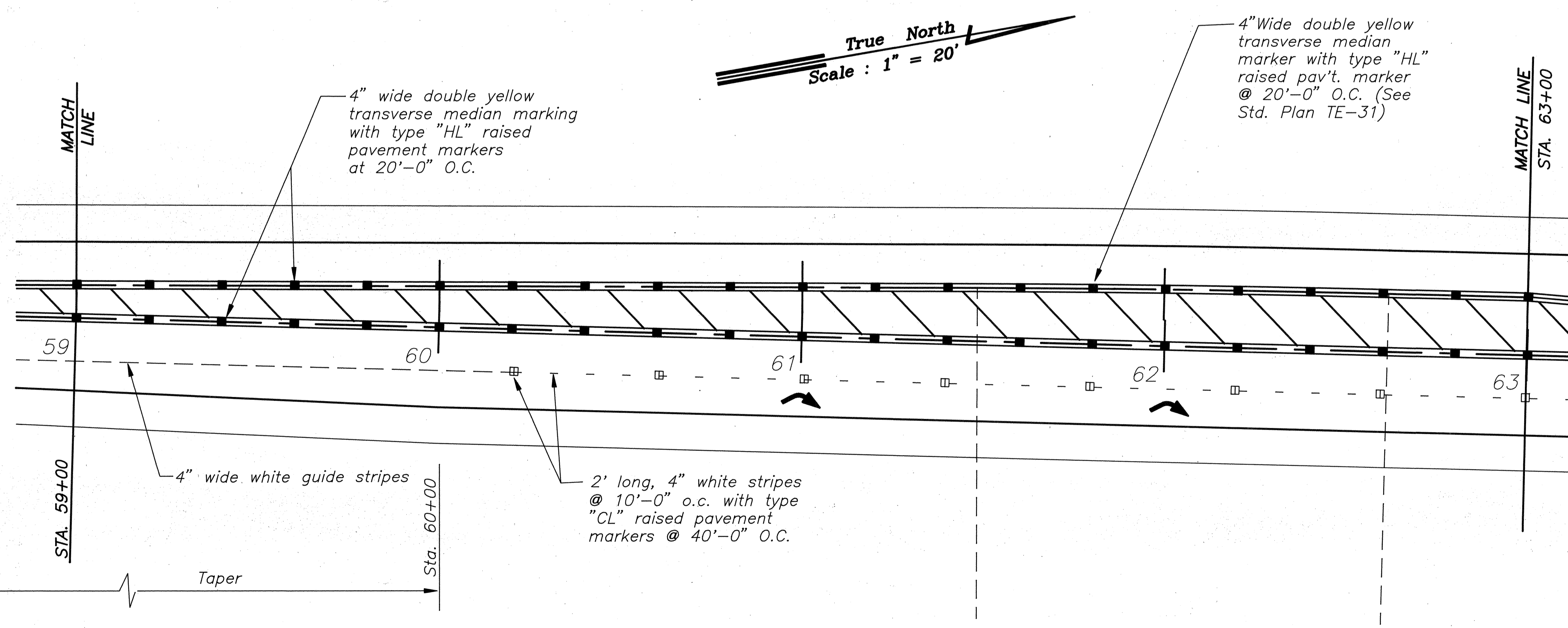
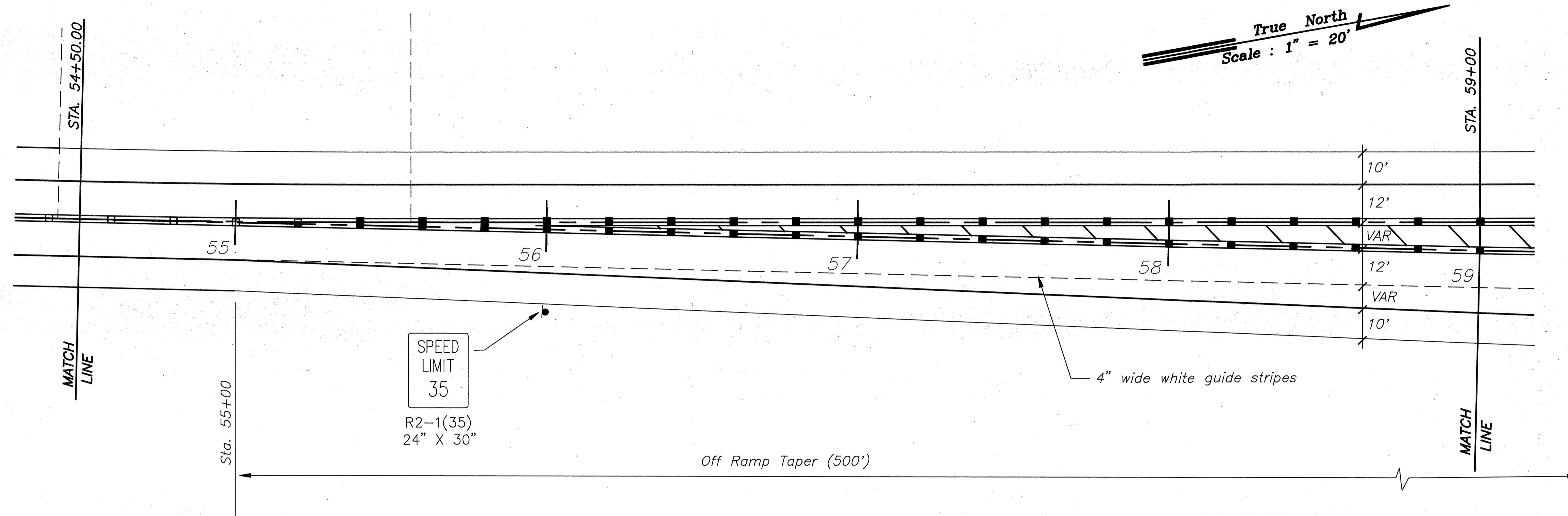
DATE	REVISION
11/22/91	Added sign connection detail. Revised signing and striping plan.

ADD. 74

DATE
SURVEY PLOTTED BY
DRAWN BY
DESIGNED BY
QUANTITIES BY
CHECKED BY
ORIGINAL PLAN
NOTE BOOK
No.

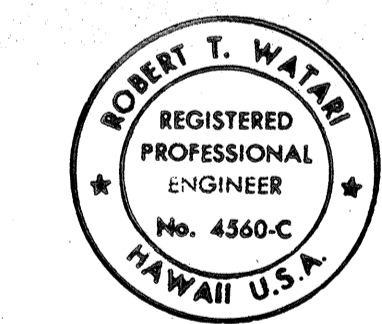
88-68 54-REVIZING DISK-REVISED SIGNS & STRIPING (7) PLOT: 1=20 12/2/91

FED. ROAD DIST. NO.	STATE	FED. AID PROJ. NO.	FISCAL YEAR	SHEET NO.	TOTAL SHEETS
HAWAII	HAW.	83A-01-92	1992	75	162



DATE	BY
DESIGNED BY	TRACED BY
CHECKED BY	NO. _____

88-68 S5-REV2.DWG DISK-REVISED SIGNS & STRIPING (7) PLOT: 1=20 12/1/91



THIS WORK WAS PREPARED BY ME OR UNDER MY SUPERVISION.
Robert T. Water

STATE OF HAWAII
DEPARTMENT OF TRANSPORTATION
HIGHWAYS DIVISION

SIGNING & STRIPING PLAN
KAMEHAMEHA HIGHWAY-HELEMANO/WAIALUA
JUNCTION TO HALEIWA BEACH PARK
(ROADWAY)
PROJ. NO. 83A-01-92

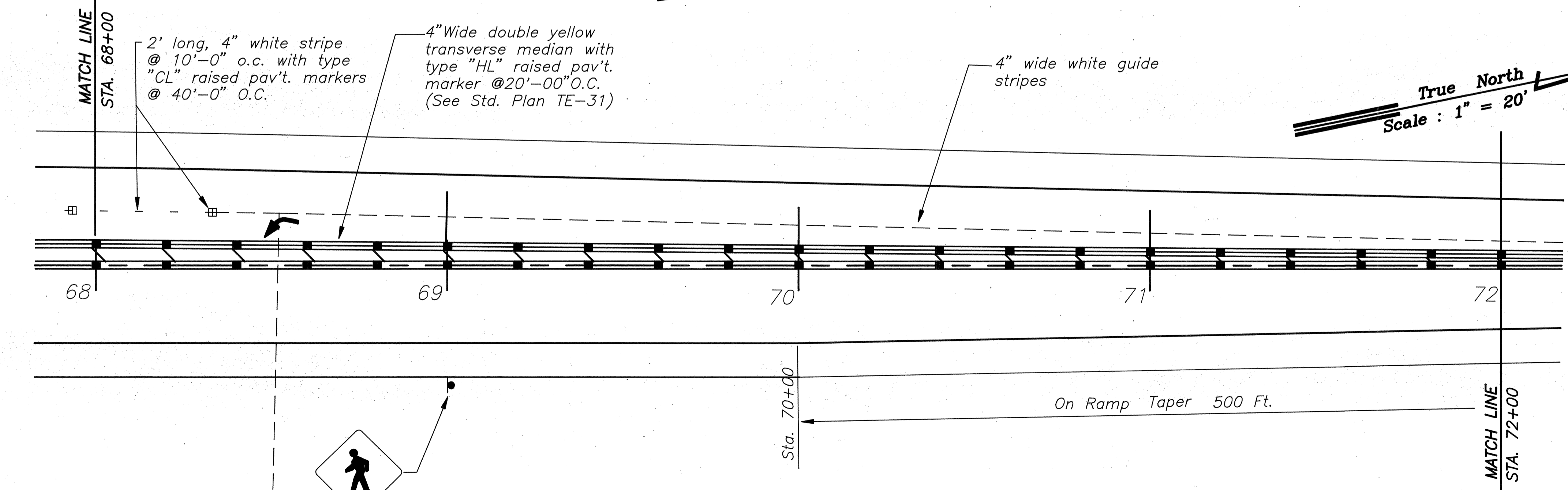
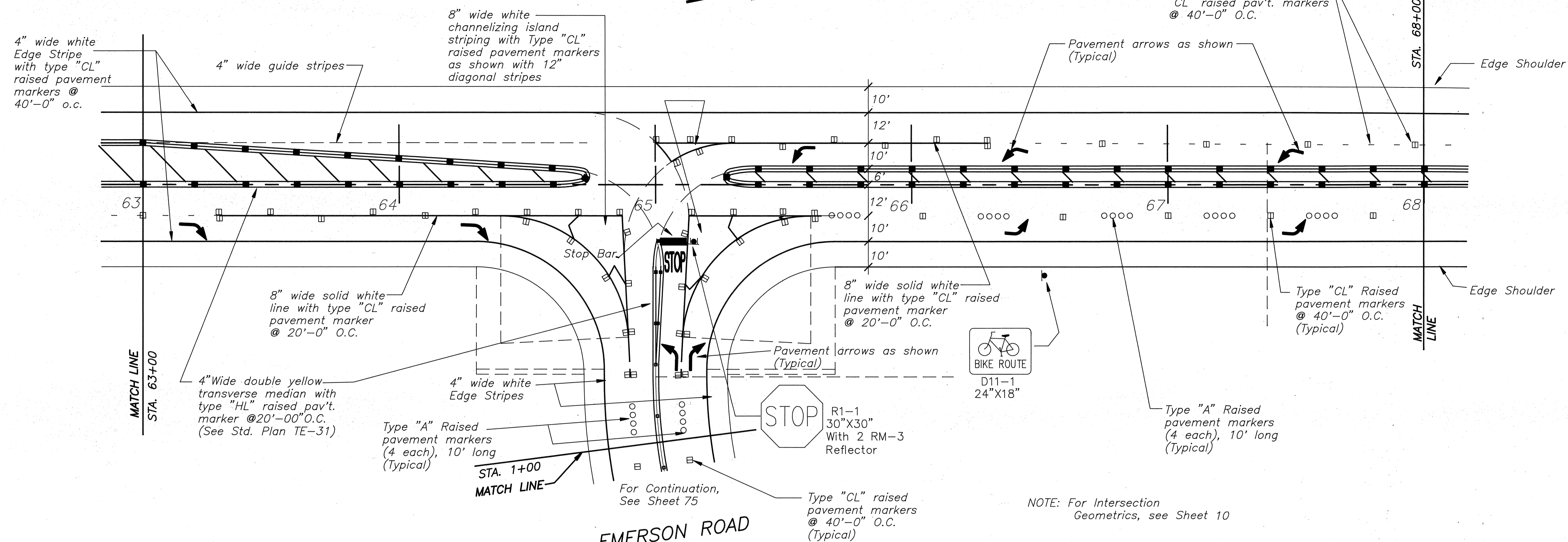
DATE	REVISION
11/22/91	Revised signing and striping plan

SHEET No. 075 OF 85 SHEETS

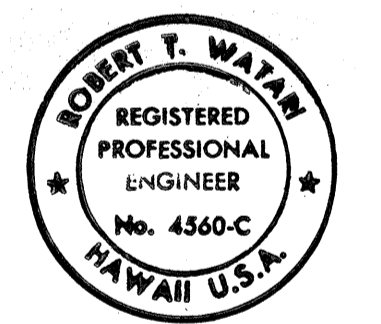
ADD. 75

FED. ROAD DIST. NO.	STATE	FED. AID PROJ. NO.	FISCAL YEAR	SHEET NO.	TOTAL SHEETS
HAWAII	HAW.	83A-01-92	1992	76	162

True North
Scale: 1" = 20'



True North
Scale: 1" = 20'



THIS WORK WAS PREPARED BY ME OR UNDER MY SUPERVISION.
Robert Watan

STATE OF HAWAII
DEPARTMENT OF TRANSPORTATION
HIGHWAYS DIVISION

SIGNING & STRIPING PLAN
KAMEHAMEHA HIGHWAY-HELEMANO/WAIALUA
JUNCTION TO HALEIWA BEACH PARK
(ROADWAY)
PROJ. NO. 83A-01-92

DATE	REVISION
11/22/91	Revised signing and striping plan.

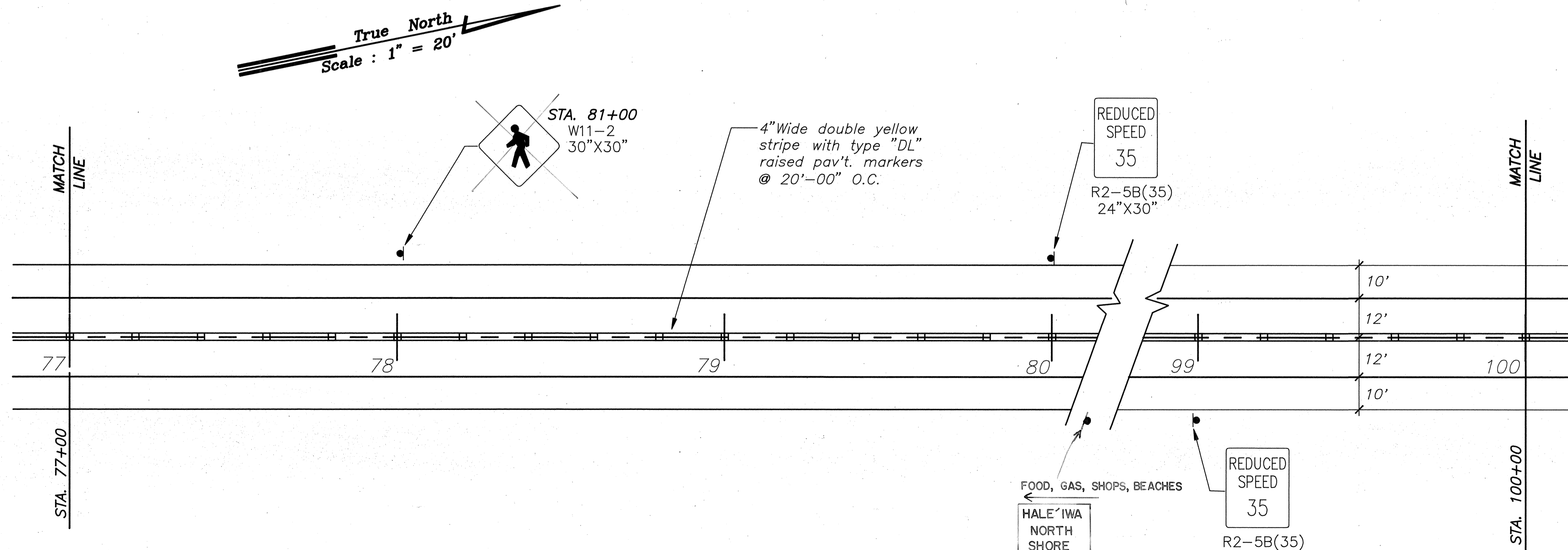
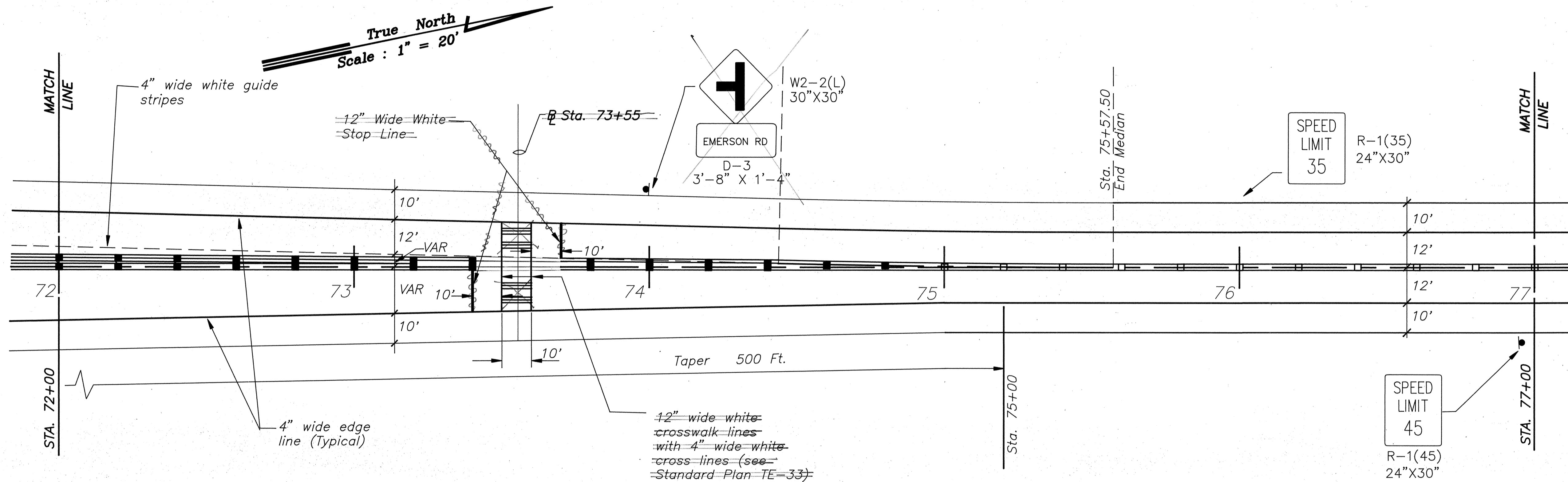
SHEET No. C76 OF 85 SHEETS

ADD. 76

DESIGNED BY	DATE
DRAWN BY	
CHECKED BY	
NO. BOOK	
NO.	

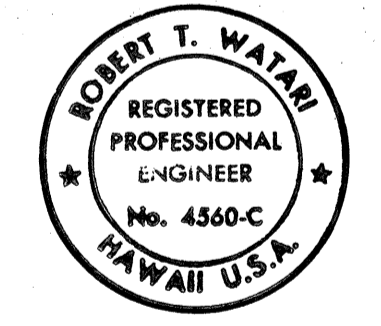
88-68 56-REV2.DWG DISK-REVISED SIGNS & STRIPING (7) PLOT: I=20 12/1/91

FED. ROAD DIST. NO.	STATE	FED. AID PROJ. NO.	FISCAL YEAR	SHEET NO.	TOTAL SHEETS
HAWAII	HAW.	83A-01-92	1992	77	162



DATE	
DESIGNED BY	
DRAWN BY	
CHECKED BY	
ORIGINAL PLAN	
NO. BOOK	
NO.	

88-68 S7-REV2.DWG DISK-REVISED SIGNS & STRIPING PLOT: 1=20 12/2/91



THIS WORK WAS PREPARED BY ME OR UNDER MY SUPERVISION.
Robert T. Watan

STATE OF HAWAII
DEPARTMENT OF TRANSPORTATION
HIGHWAYS DIVISION

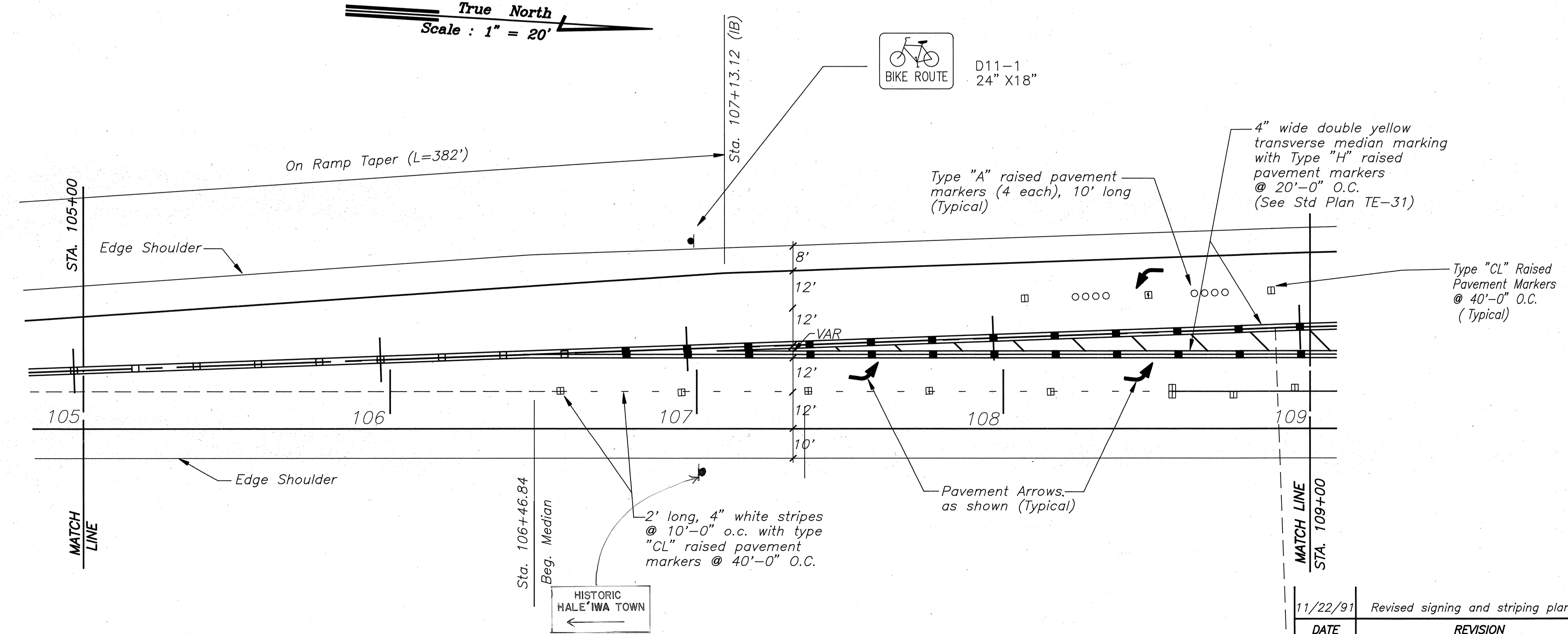
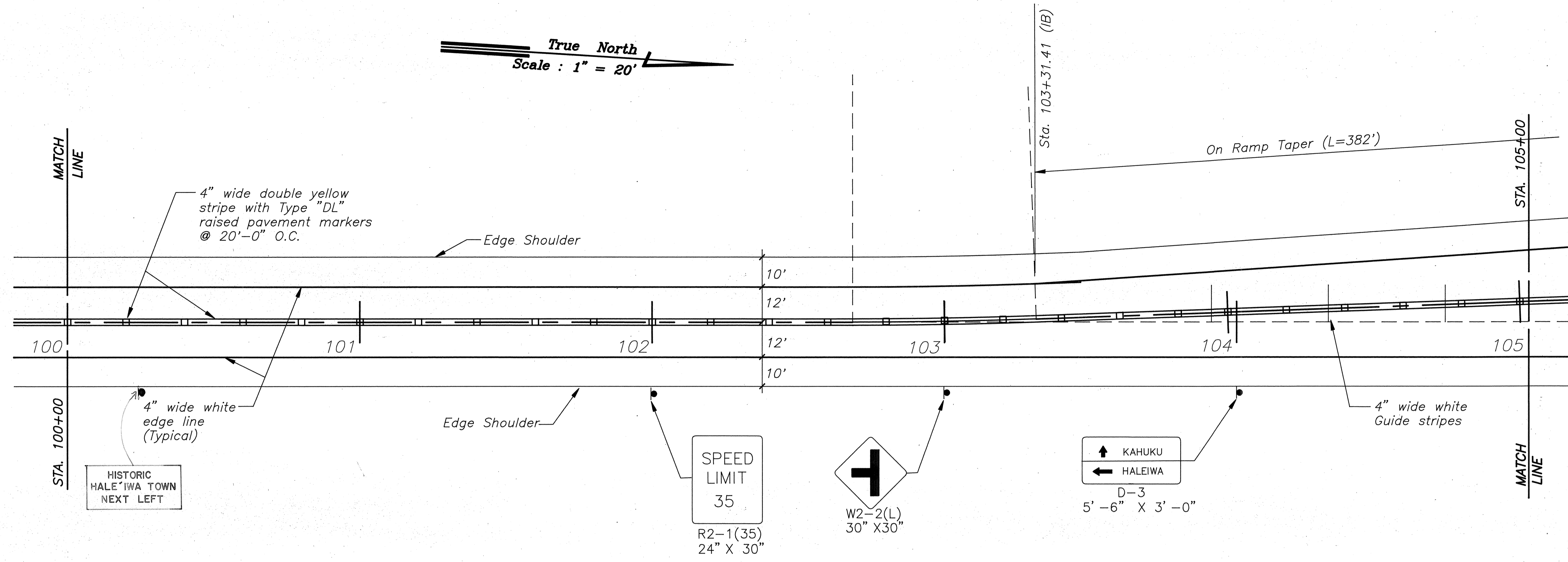
SIGNING & STRIPING PLAN
KAMEHAMEHA HIGHWAY-HELEMANO/WAIALUA
JUNCTION TO HALEIWA BEACH PARK
(ROADWAY)
PROJ. NO. 83A-01-92

DATE	REVISION
11/22/91	Revised signing and striping plan

SHEET No. 077 OF 85 SHEETS

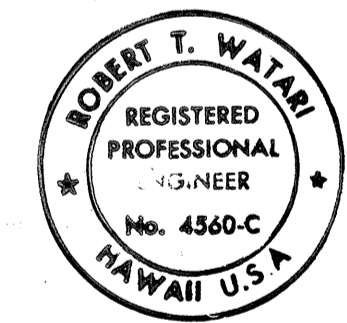
ADD. 77

FED. ROAD DIST. NO.	STATE	FED. AID PROJ. NO.	FISCAL YEAR	SHEET NO.	TOTAL SHEETS
HAWAII	HAW.	83A-01-92	1992	78	162



DATE	BY
DESIGNED BY	DESIGNED BY
DRAWN BY	DRAWN BY
CHECKED BY	CHECKED BY
NO.	NO.

88-68 SB-REV2.DWG DISK-REVISED SIGNS & STRIPING PLOT:1=20 12/1/91



THIS WORK WAS PREPARED BY ME OR UNDER MY SUPERVISION.
Robert T. Watan

STATE OF HAWAII
DEPARTMENT OF TRANSPORTATION
HIGHWAYS DIVISION

SIGNING & STRIPING PLAN
KAMEHAMEHA HIGHWAY-HELEMANO/WAIALUA
JUNCTION TO HALEIWA BEACH PARK
(ROADWAY)
PROJ. NO. 83A-01-92

11/22/91	Revised signing and striping plan
DATE	REVISION

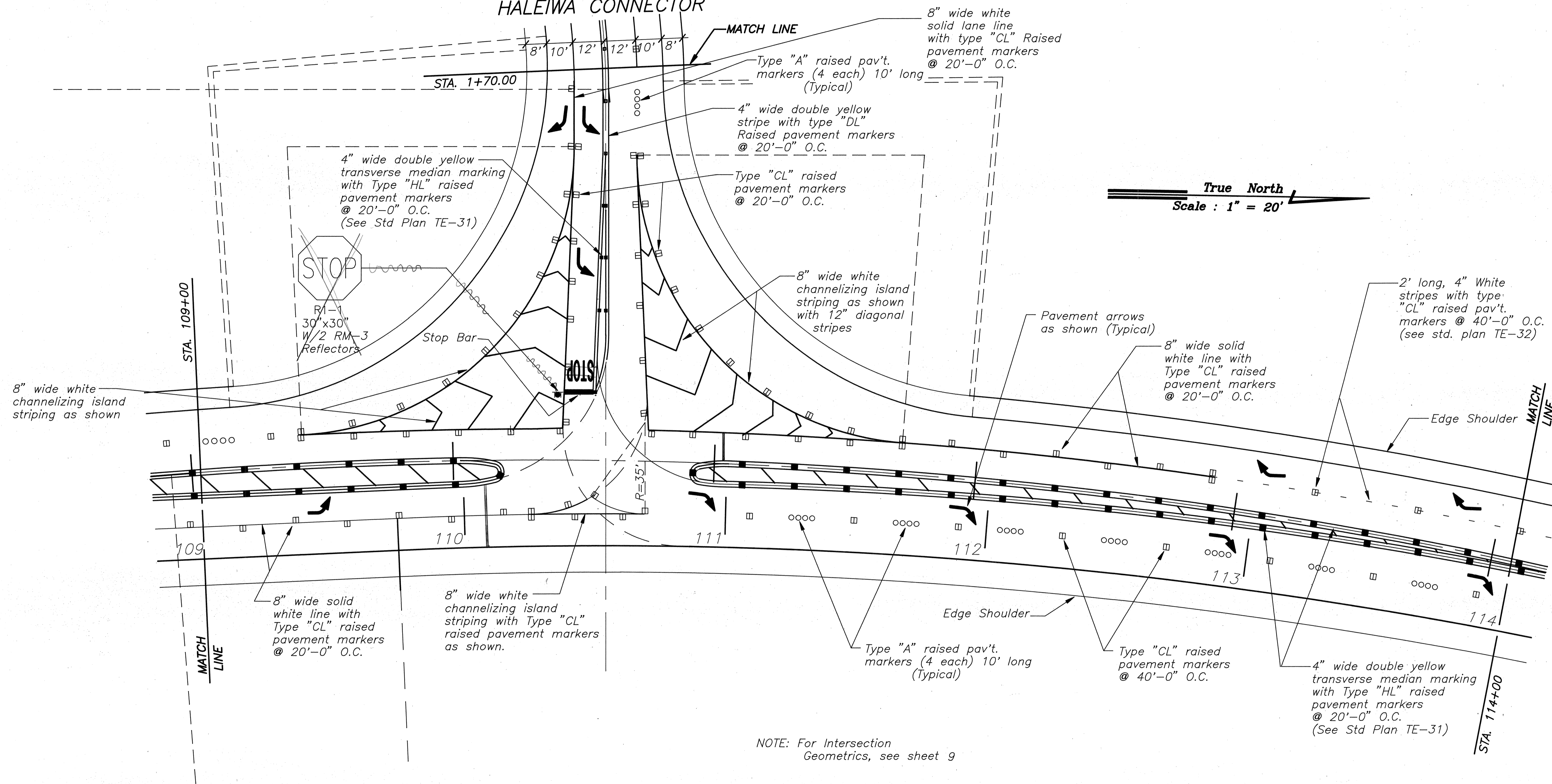
SHEET No. C78 OF 85 SHEETS

ADD. 78

FED. ROAD DIST. NO.	STATE	FED. AID PROJ. NO.	FISCAL YEAR	SHEET NO.	TOTAL SHEETS
HAWAII	HAW.	83A-01-92	1992	79	162

For Continuation
See Sheet 81

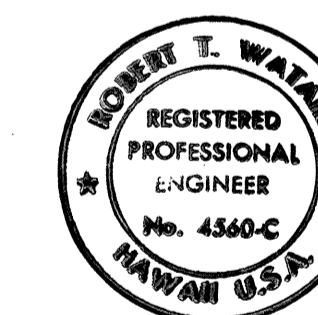
HALEIWA CONNECTOR



True North
Scale: 1" = 20'

NOTE: For Intersection Geometrics, see sheet 9

REMARKS: HALEIWA CONNECTOR INTERSECTION PLAN
REFER TO C.O. 161S-16
SIGNING AND STRIPING PLAN



THIS WORK WAS PREPARED BY ME OR UNDER MY SUPERVISION.

Robert T. Watson

STATE OF HAWAII
DEPARTMENT OF TRANSPORTATION
HIGHWAYS DIVISION

SIGNING & STRIPING PLAN
KAMEHAMEHA HIGHWAY-HELEMANO/WAIALUA
JUNCTION TO HALEIWA BEACH PARK
(ROADWAY)
PROJ. NO. 83A-01-92

DATE	REVISION
11/22/91	Revised signing and striping plan

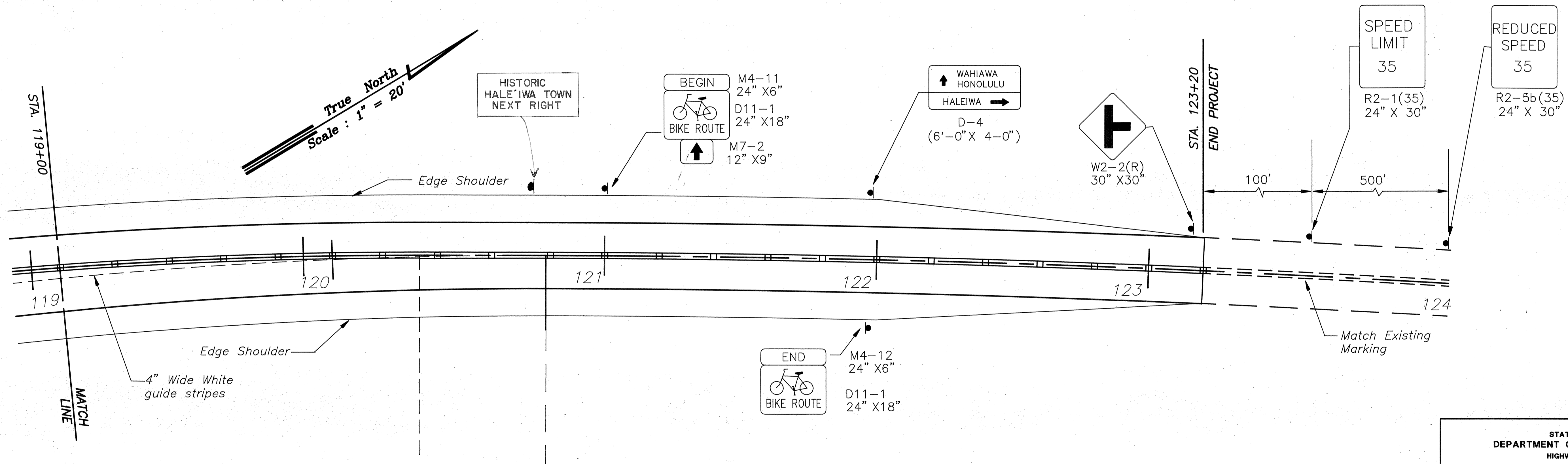
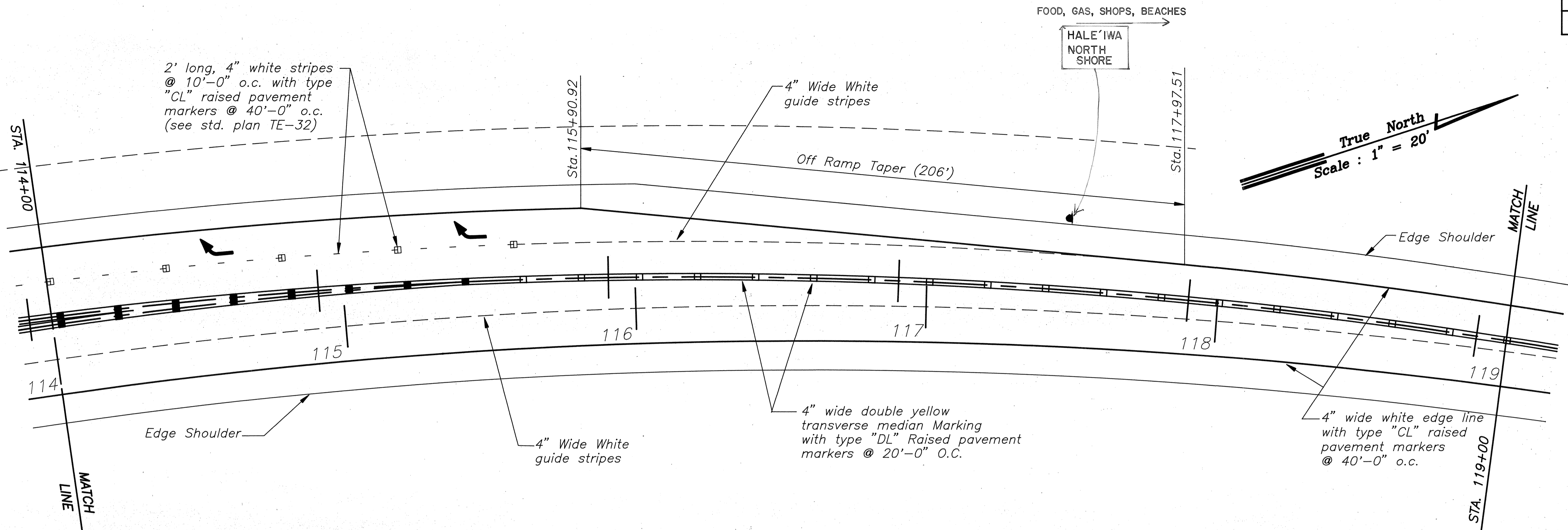
SHEET No. C79 OF 85 SHEETS

ADD. 79

DATE	BY

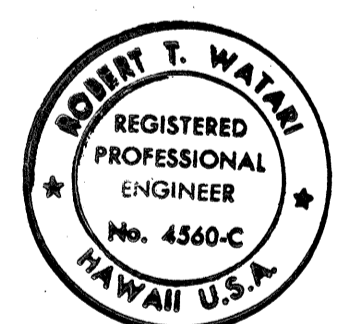
88-68 S9-REV2.DWG DISK-REVISED SIGNS & STRIPING (7) PLOT:1=20 12/1/91

FED. ROAD DIST. NO.	STATE	FED. AID PROJ. NO.	FISCAL YEAR	SHEET NO.	TOTAL SHEETS
HAWAII	HAW.	83A-01-92	1992	80	162



DATE	BY
DESIGNED BY	
DRAWN BY	
CHECKED BY	
NO.	

88-68 S10-REV2.DWG DISK-REVISED SIGNS & STRIPING (7) PLOT:1=20 12/2/91



THIS WORK WAS PREPARED BY ME OR UNDER MY SUPERVISION.
Robert T. Wai'an

STATE OF HAWAII
DEPARTMENT OF TRANSPORTATION
HIGHWAYS DIVISION

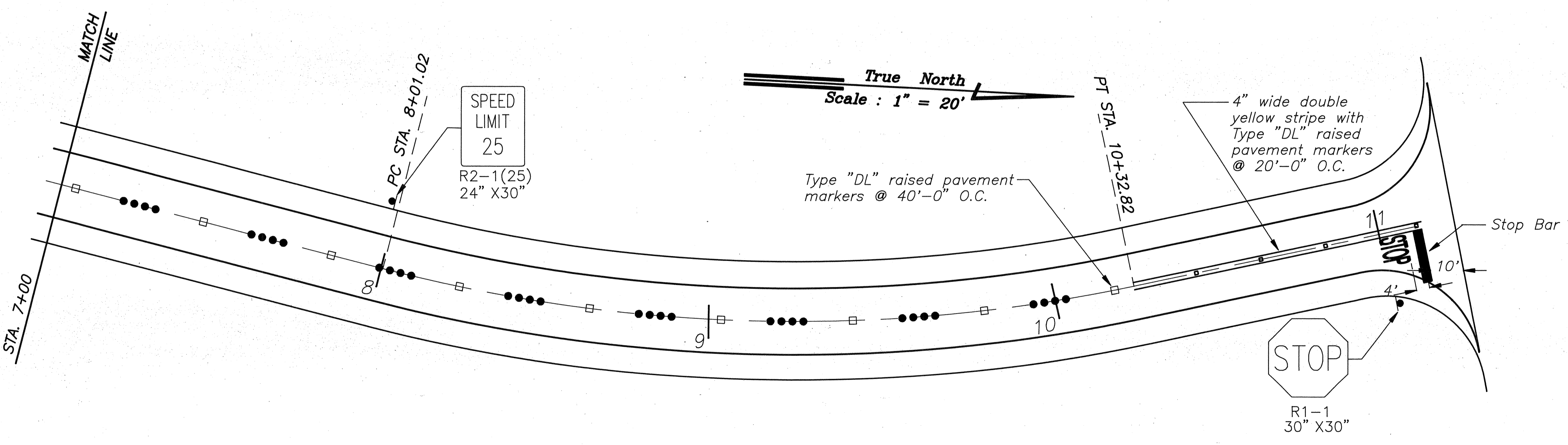
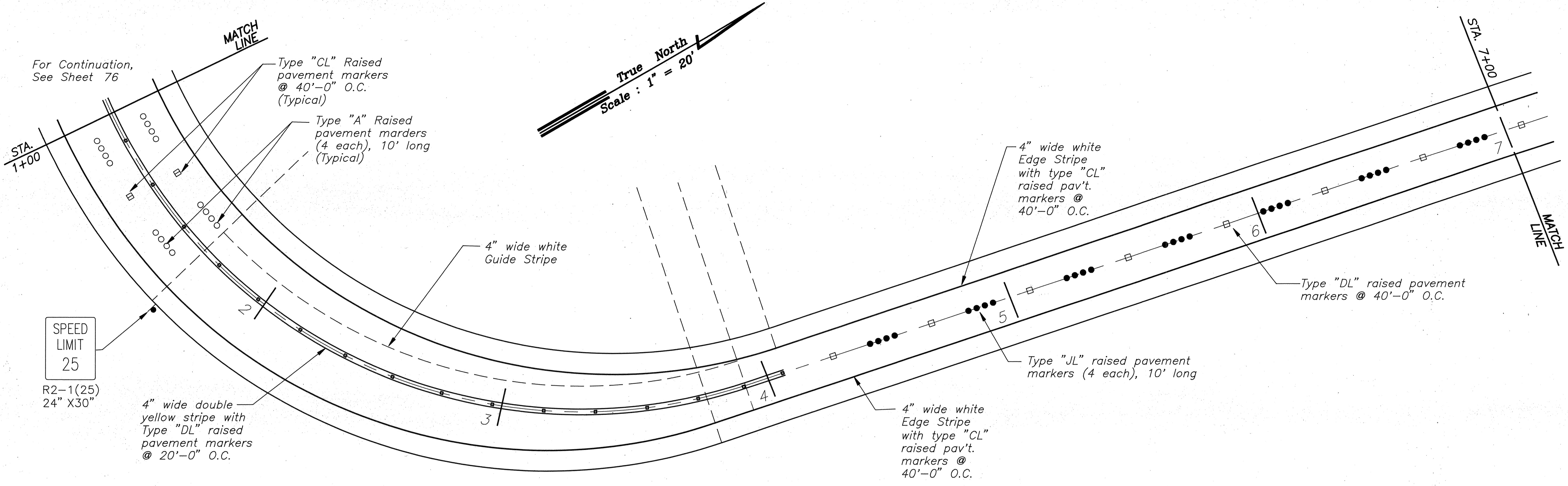
SIGNING & STRIPING PLAN
KAMEHAMEHA HIGHWAY-HELEMANO/WAIALUA
JUNCTION TO HALEIWA BEACH PARK
(ROADWAY)
PROJ. NO. 83A-01-92

DATE	REVISION
11/22/91	Revised signing and striping plan

SHEET No. 80 OF 85 SHEETS

ADD. 80

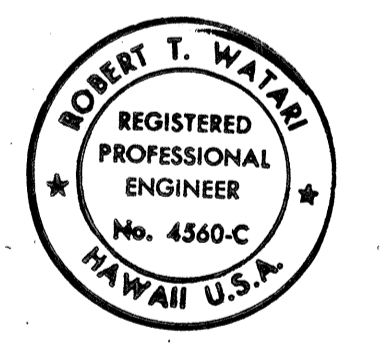
FED. ROAD DIST. NO.	STATE	FED. AID PROJ. NO.	FISCAL YEAR	SHEET NO.	TOTAL SHEETS
HAWAII	HAW.	83A-01-92	1992	82	162



EMERSON CONNECTOR

DATE	DESIGNED BY
	DRAWN BY
	CHECKED BY
	NO. BOOK
	NO.

88-68 S12-REV2.DWG DISK: REVISED SIGNS & STRIPING (7) PLOT: 1=20 12/1/91



THIS WORK WAS PREPARED BY ME OR UNDER MY SUPERVISION.
Robert T. Watan

STATE OF HAWAII
DEPARTMENT OF TRANSPORTATION
HIGHWAYS DIVISION

SIGNING & STRIPING PLAN
KAMEHAMEHA HIGHWAY-HELEMANO/WAIALUA
JUNCTION TO HALEIWA BEACH PARK
(ROADWAY)
PROJ. NO. 83A-01-92

DATE	REVISION
11/22/91	Revised signing and striping plan

SHEET No. 082 OF 85 SHEETS

ADD. 82