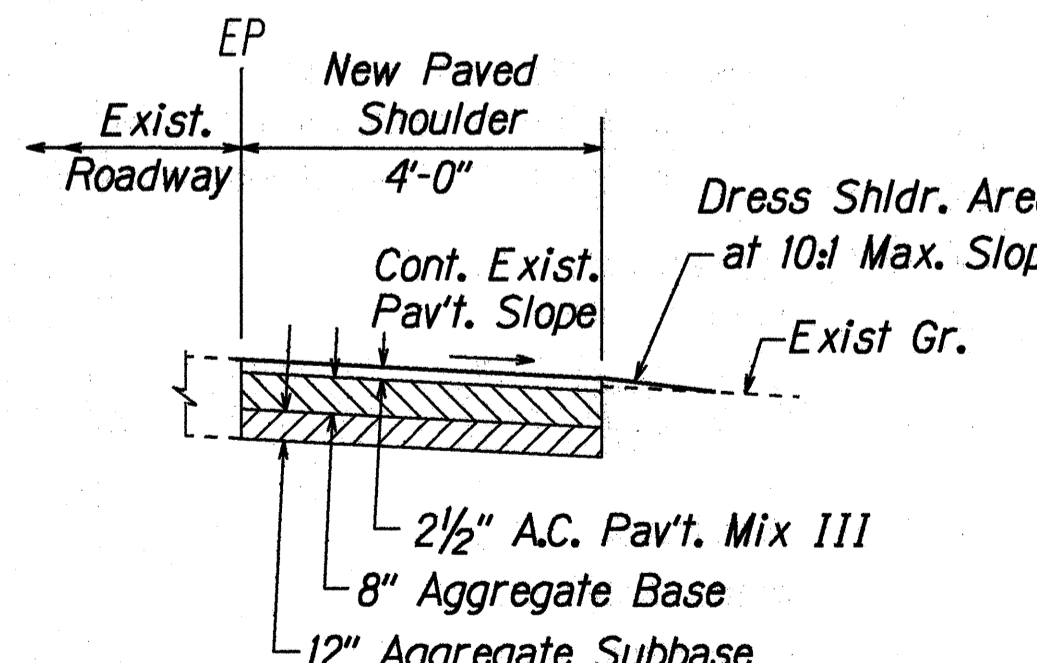
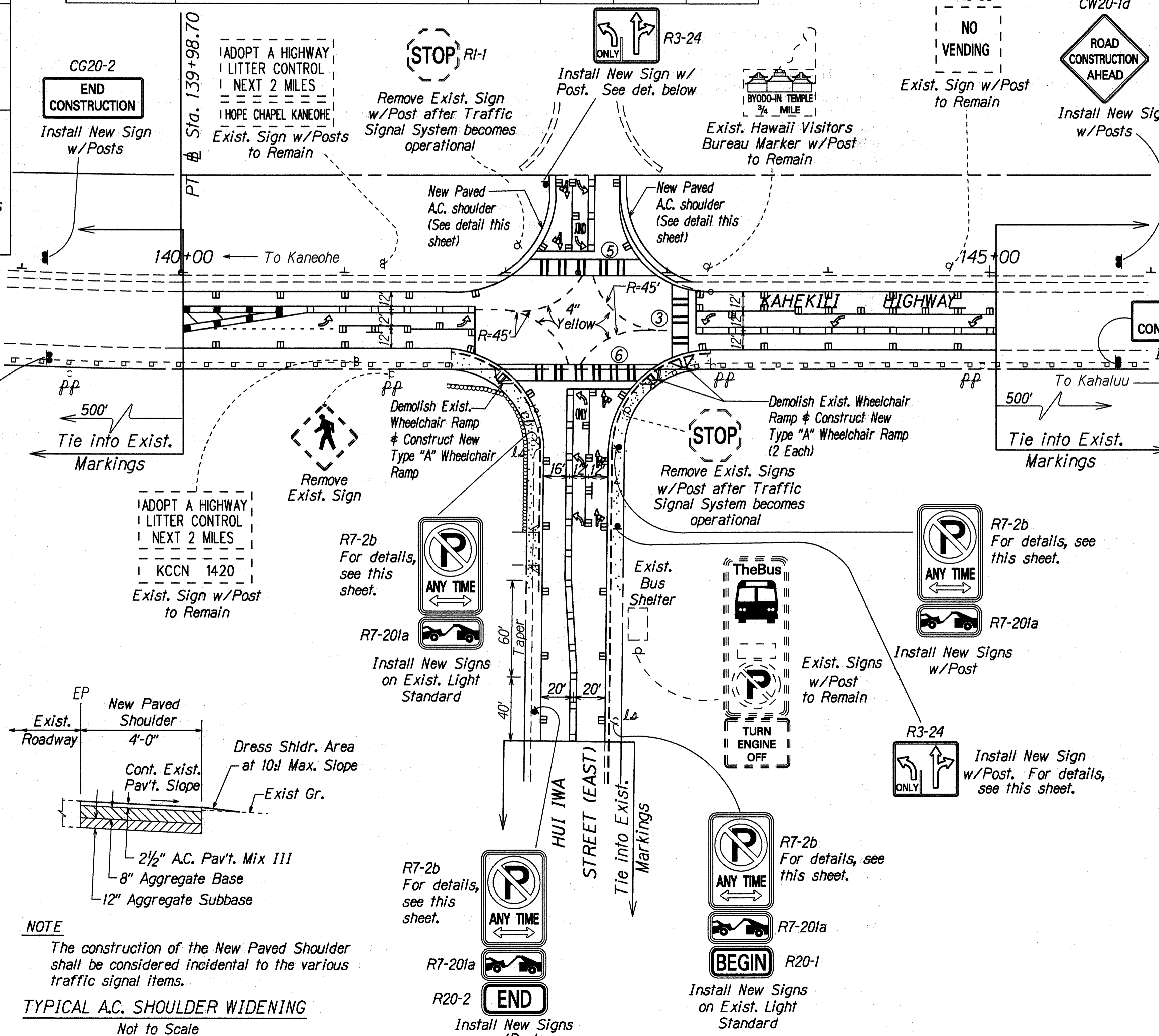
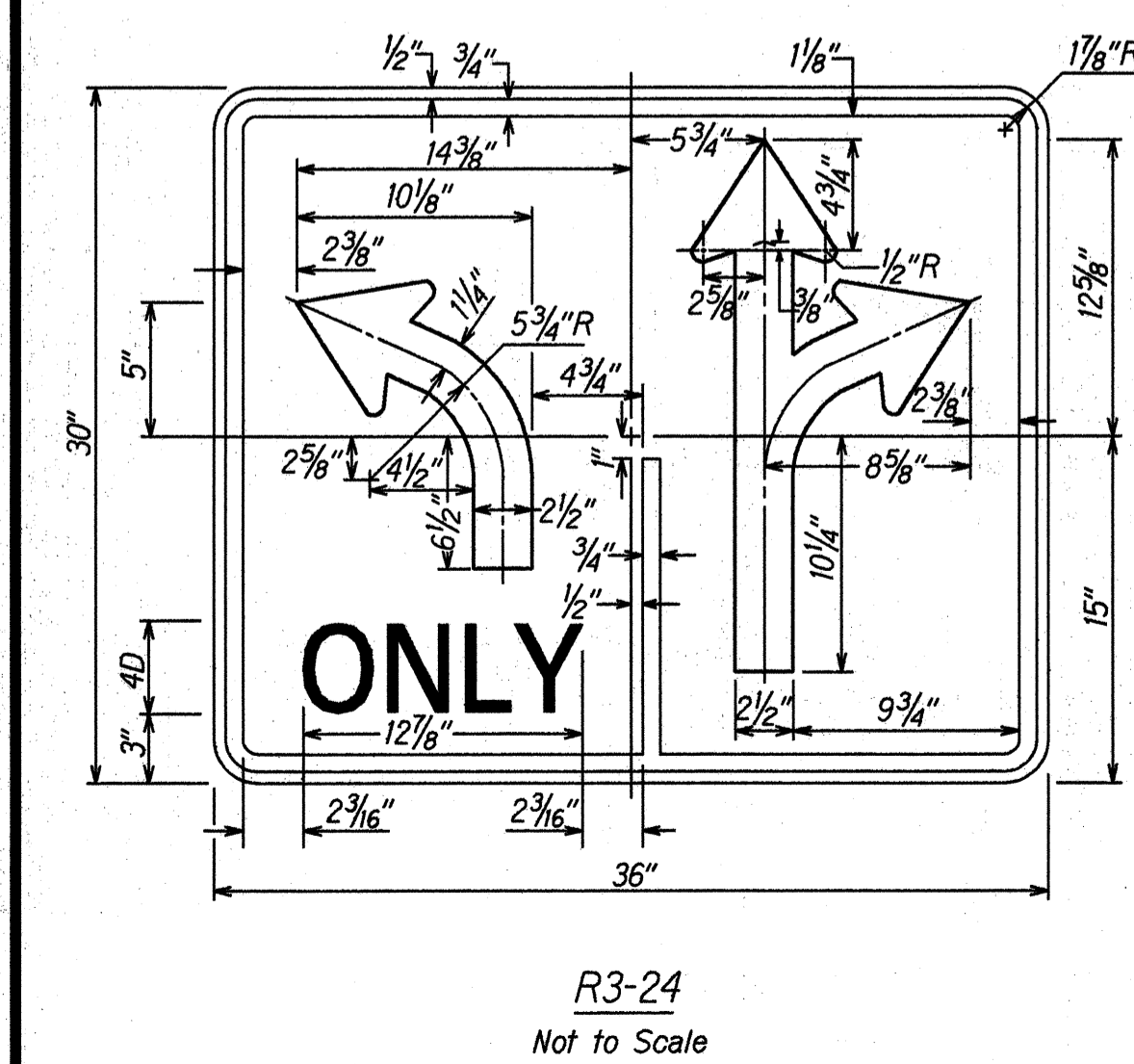
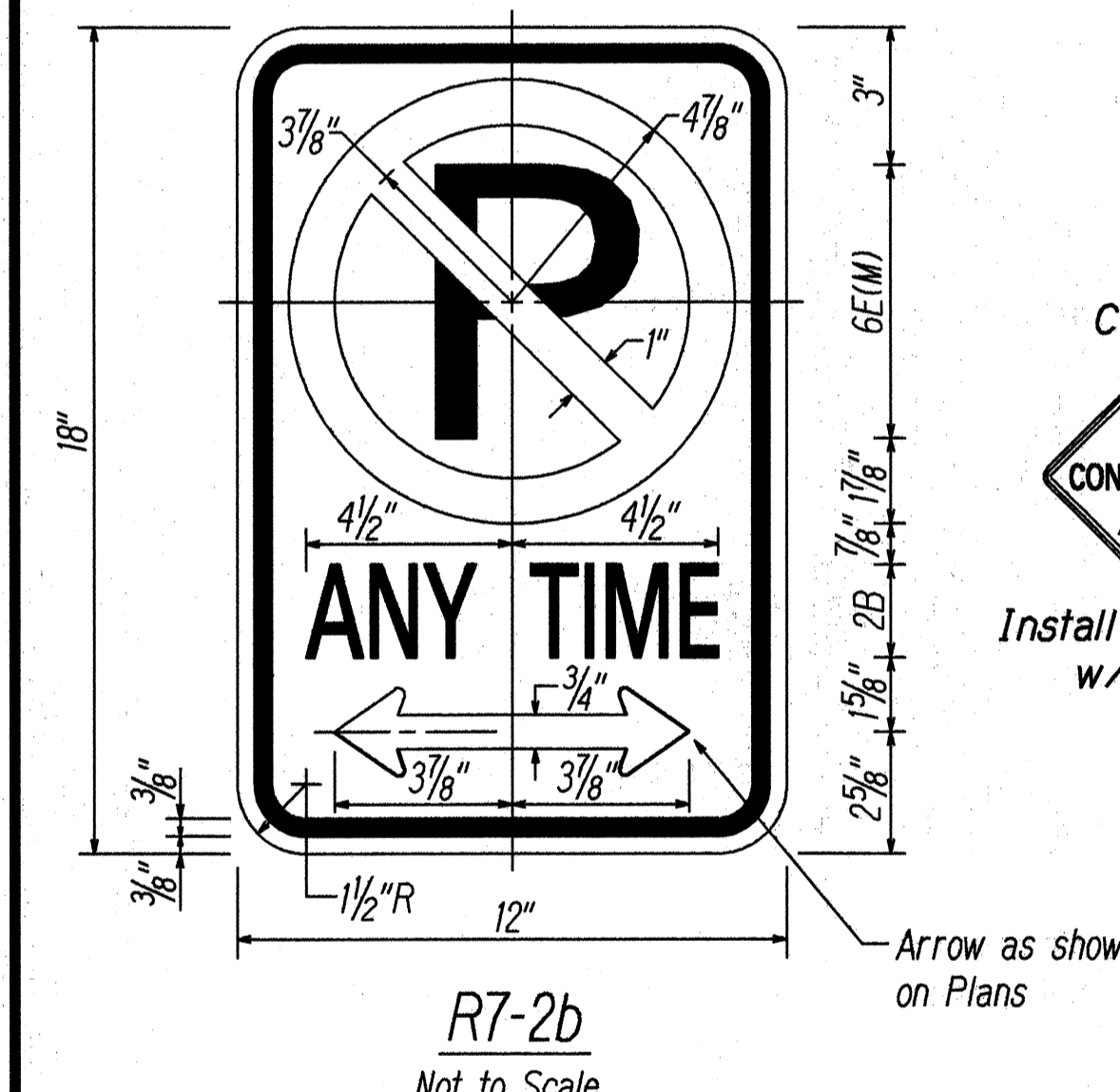
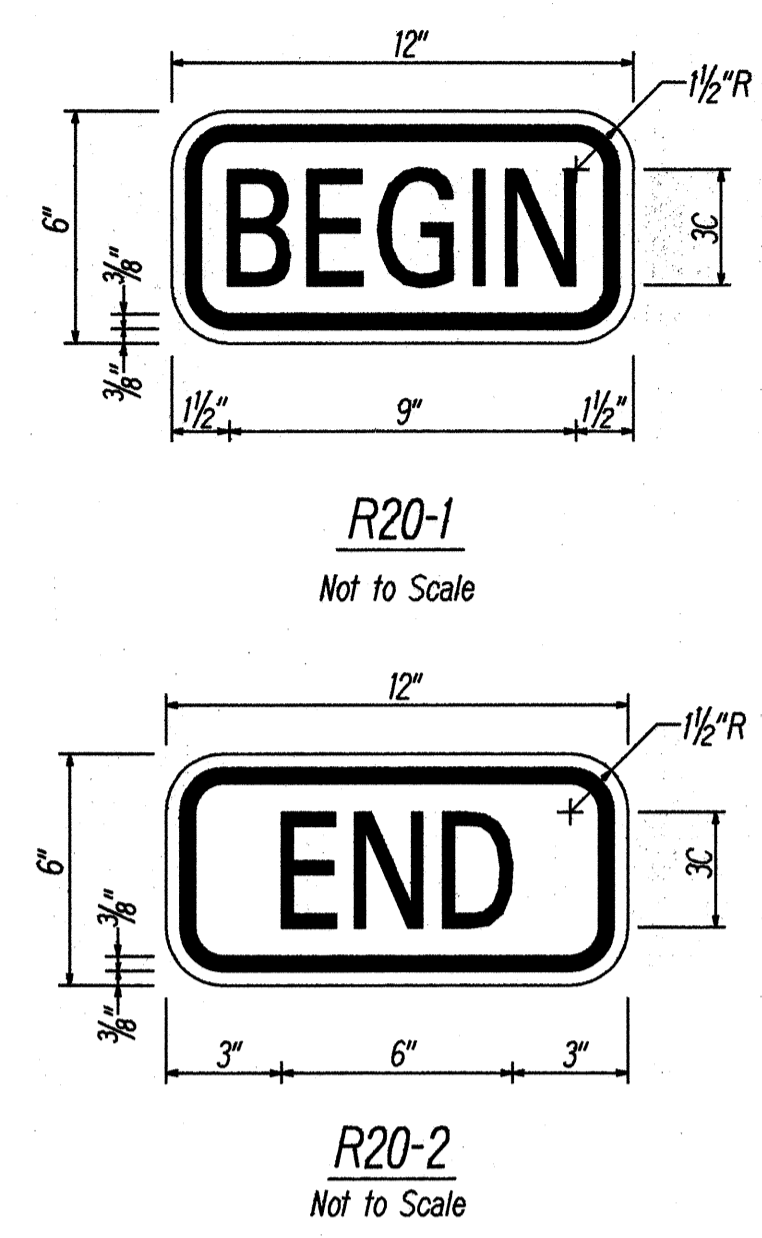


PAVEMENT MARKING SUMMARY		
DESCRIPTION	QUANTITY	
<b>PAVEMENT MARKERS</b>		
TYPE A	20	EA.
TYPE C	60	EA.
TYPE D	31	EA.
TYPE H	8	EA.
<b>TAPE - TYPE I OR THERMOPLASTIC EXTRUSION</b>		
4-INCH PAVEMENT STRIPE (WHITE)	215	L.F.
8-INCH PAVEMENT STRIPE (WHITE)	185	L.F.
DOUBLE 4-INCH PAVEMENT STRIPE (YELLOW)	570	L.F.
<b>TAPE - TYPE II OR THERMOPLASTIC EXTRUSION</b>		
4-INCH PAVEMENT STRIPE (WHITE)	1,450	L.F.
12-INCH PAVEMENT STRIPE (YELLOW)	30	L.F.
DOUBLE 4-INCH PAVEMENT STRIPE (YELLOW)	160	L.F.
<b>TAPE - TYPE III OR THERMOPLASTIC EXTRUSION</b>		
4-INCH PAVEMENT STRIPE (WHITE)	90	L.F.
4-INCH PAVEMENT STRIPE (YELLOW)	280	L.F.
12-INCH PAVEMENT STRIPE (WHITE)	140	L.F.
CROSSWALK MARKINGS	14	LANES
PAVEMENT ARROW	15	EA.
PAVEMENT WORD	2	EA.

TRAFFIC SIGN SUMMARY					
SIGN NO.	MESSAGE	QUANTITY			
		10 SQ. FT. OR LESS		10 SQ. FT. OR LESS	
		W/POST	W/O POST	W/POSTS	W/O POSTS
R3-24		2			
R7-2b		2	2		
R7-201a			4		
R10-12	LEFT TURN YIELD ON GREEN ●		4		
R20-1			1		
R20-2			1		
W3-4	STOP AHEAD WHEN FLASHING				1
TOTAL		4	12	0	1

CONSTRUCTION SIGN SUMMARY			
SIGN NO.	MESSAGE	W/POSTS	W/O POSTS
CG20-2	END CONSTRUCTION	2	
CG20-1d	ROAD CONSTRUCTION AHEAD	2	
TOTAL		4	0

FED. ROAD DIST. NO.	STATE	PROJ. NO.	FISCAL YEAR	SHEET NO.	TOTAL SHEETS
HAWAII	HAW.	STP-083-1(29)	1995	4	11



**NOTE**  
The construction of the New Paved Shoulder shall be considered incidental to the various traffic signal items.

**TYPICAL A.C. SHOULDER WIDENING**  
Not to Scale

DATE: \_\_\_\_\_  
 SURVEY PLOTTED BY: \_\_\_\_\_  
 DRAWN BY: \_\_\_\_\_  
 CHECKED BY: \_\_\_\_\_  
 ORIGINAL PLAN: \_\_\_\_\_  
 NOTE BOOK: \_\_\_\_\_  
 INCHES: \_\_\_\_\_  
 QUANTITIES BY: \_\_\_\_\_  
 CHECKED BY: \_\_\_\_\_

**APPROVED:**  
 \_\_\_\_\_  
 Director, Dept. of Transportation Services DATE: 5/15/95

STATE OF HAWAII  
 DEPARTMENT OF TRANSPORTATION  
 HIGHWAYS DIVISION  
**PAVEMENT MARKING & SIGNING PLAN**  
 KAHEKILI HIGHWAY  
 Traffic Signals at Hui Iwa Street (East)  
 F.A. PROJECT NO. STP-083-1(29)  
 Scale: 1"=40' Date: Apr., 1995  
 SHEET No. 1 OF 1 SHEETS