

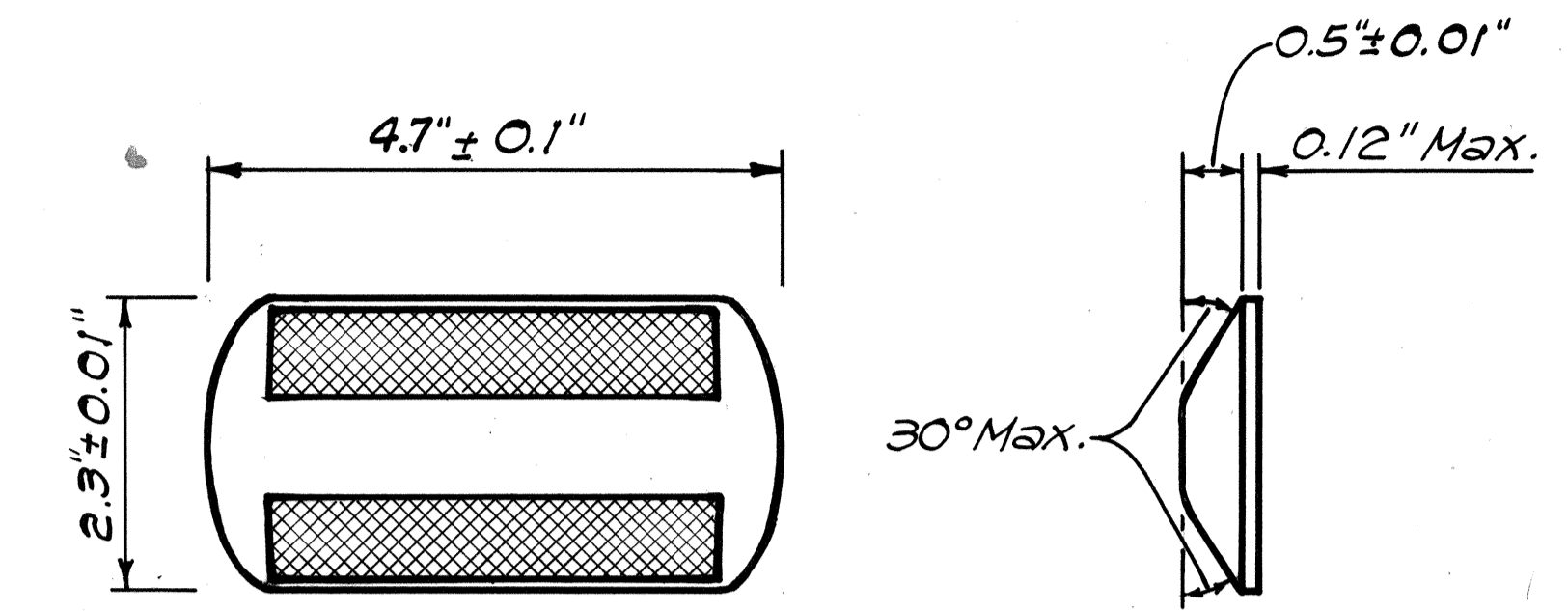
LEGEND

- 4 each Type A Raised Pavement Markers
Type CL Raised Pavement Markers @ 40'-0" o.c.
- 4 each Type J Raised Pavement Markers
Type DL Raised Pavement Markers @ 40'-0" o.c.
- 8" White Stripe with Type CL Raised Pavement Markers @ 20'-0" o.c. (Tape, Type I)
- 4" Double Solid Yellow Stripes with Type DL Raised Pavement Markers @ 20'-0" o.c. (Tape, Type I)
- 4" Double Solid Yellow Stripes with Type HL Raised Pavement Markers @ 20'-0" o.c. (Tape, Type II or Thermoplastic Extrusion)
- 4" Yellow Edge Stripe with Type HL Raised Pavement Markers @ 40'-0" o.c. (Tape, Type II or Thermoplastic Extrusion)
- 4" Double Solid White Stripes with Type CL Raised Pavement Markers @ 20'-0" o.c. (Tape, Type I)
Lane Change Restriction Marking
- 4 each Type A Raised Pavement Markers
Type CL Raised Pavement Markers @ 20'-0" o.c.
4" Solid White Stripe (Tape, Type I)
- 4" White Edge Stripe (Tape, Type II or Thermoplastic Extrusion)
- 4" White Guide Lines (Thermoplastic Extrusion)
- Transverse Median Marking (Tape, Type II or Thermoplastic Extrusion)
- Transverse Shoulder Marking (Tape, Type II or Thermoplastic Extrusion)
- Channelizing Island or Deceleration Lane Gore (Tape, Type II or Thermoplastic Extrusion)
- Crosswalk and Stop Line. All Stop Lines shall be 10'-0" from Crosswalk unless otherwise noted. The circled number indicates the number of lanes for pavement. (Thermoplastic Extrusion)
- Pavement Arrow (Tape, Type I)
- STOP Pavement Word (Tape, Type I)
- 12" White Stop Line (Thermoplastic Extrusion)
- 4 each Type J Raised Pavement Markers
Type DL Raised Pavement Markers @ 40'-0" o.c.
Type HL Raised Pavement Markers (Reflective Surface facing no-passing direction)
4" Single Solid Yellow Strip (Tape, Type I)
- Extension of Edge Line, 4" Wide x 2'-0" Long White Stripe @ 10'-0" o.c. w/Type CL Markers @ 40'-0" o.c. (Thermoplastic Extrusion)

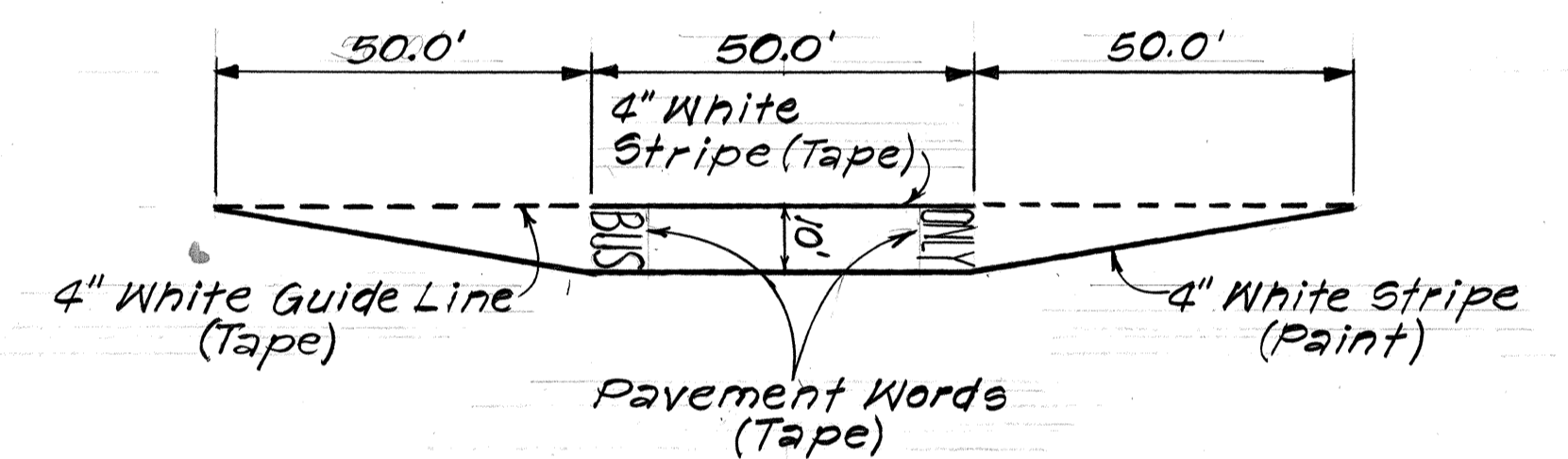
NOTES

1. Layout of pavement markings and striping shall be done by the Contractor and approved by the Engineer prior to any installation work.
2. Existing pavement markings not incorporated in the final traffic pattern shall be removed as directed by the Engineer. Costs shall be incidental to the various pavement marking items.
3. Raised pavement markers shall not be installed within crosswalks.
4. Details of Type C, Type D and Type H Markers on Standard Plan Nos. TE-30, TE-31 and TE-32 shall be deleted and replaced with details of Type CL, Type DL and Type HL Markers as shown on this sheet. All references to Type C, Type D and Type H Markers in the plans shall mean Type CL, Type DL and Type HL Markers.
5. Final locations of all signs shall be approved by the Engineer prior to any installation work.
6. Existing signs not shown on these plans shall remain as posted unless otherwise directed by the Engineer. Removal and disposal of existing signs and/or posts as designated on these plans shall be incidental to the various signing items.
7. Final locations of all Stop Lines shall be approved by the Engineer prior to installation.
8. All pavement striping shall be as noted on the Legend or plans.
9. All preformed pavement marking tapes over existing pavement shall be applied with an approved primer as recommended by the tape manufacturer and as approved by the Engineer. The primer shall be allowed to dry to the tacky stage prior to tape application.
10. Reflector markers located behind guardrails shall be installed with steel posts. At all other locations, reflector markers with flexible delineator posts shall be installed. Exact location to be determined by the Engineer.
11. All objects (utility poles or trees) that are within the State highway right of way and within 30 feet of the roadway edge of pavement shall be marked as directed by the Engineer.
12. Objects such as concrete posts, concrete or rock walls and boxes, metal posts (greater than 2" in diameter), or metal boxes shall be marked with post mounted object markers.

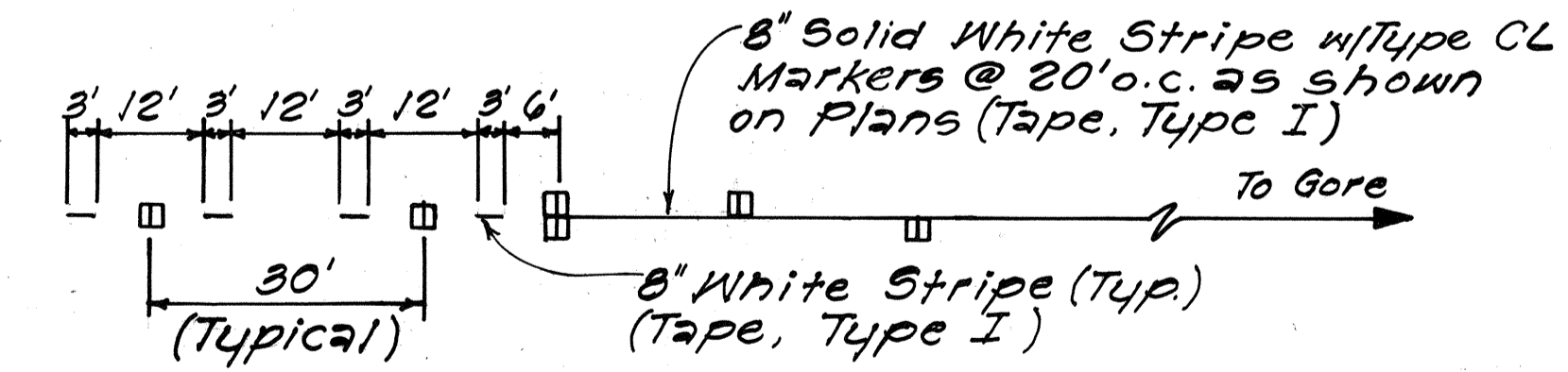
FED. ROAD DIST. NO.	STATE	PROJ. NO.	FISCAL YEAR	SHEET NO.	TOTAL SHEETS
HAWAII	HAW.	83BC-03-89M	1989	19	33



TYPE CL
Red-Clear Reflective Marker
or
TYPE DL
Two-Way Yellow Reflective Marker
or
TYPE HL
One-Way Yellow Reflective Marker
Not to Scale



TYPICAL BUS BAY STRIPING
Not to Scale



LANE DROP MARKING
Not to Scale

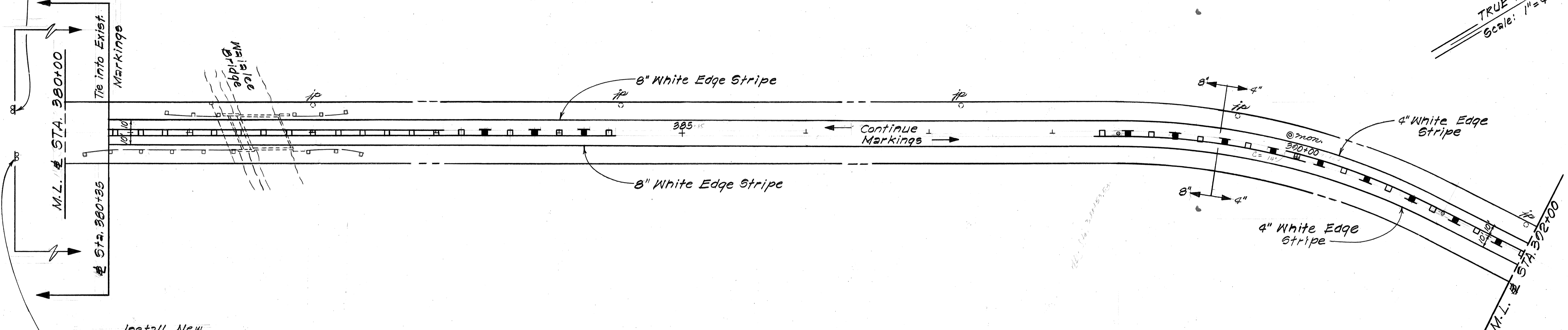
SURVEY PLOTTED BY _____ DATE _____
 DRAWN BY _____
 DESIGNED BY _____
 CHECKED BY _____
 ORIGINAL PLAN _____
 NOTE BOOK _____
 NO. _____

STATE OF HAWAII
 DEPARTMENT OF TRANSPORTATION
 HIGHWAYS DIVISION
PAVEMENT MARKING
LEGEND, DETAILS & NOTES
 KAMEHAMEHA HIGHWAY RESURFACING
 Vicinity of Waialea Bridge to
 Kahuku Elem. & High School
 Project No. 83BC-03-89M
 Scale: As Shown Date: Apr, 1989
 SHEET No. 7 OF 15 SHEETS

FED. ROAD DIST. NO.	STATE	PROJ. NO.	FISCAL YEAR	SHEET NO.	TOTAL SHEETS
HAWAII	HAW.	83BC-03-89M	1989	20	33

Install New Sign & Posts
END CONSTRUCTION
 CG 20-2

TRUE NORTH
 Scale: 1"=40'



Install New Sign & Posts
ROAD CONSTRUCTION AHEAD
 CW20-1d

Install New Sign & Post
 R7-107a

Remove Exist. BUS STOP Sign on Exist. JP

Install New Sign & Post
 R2-1(45)

TRUE NORTH
 Scale: 1"=40'

M.L. # STA. 392+00

M.L. # P.C. STA. 402+81.45

4" White Edge Stripe

Install New Sign & Post
 R7-107a

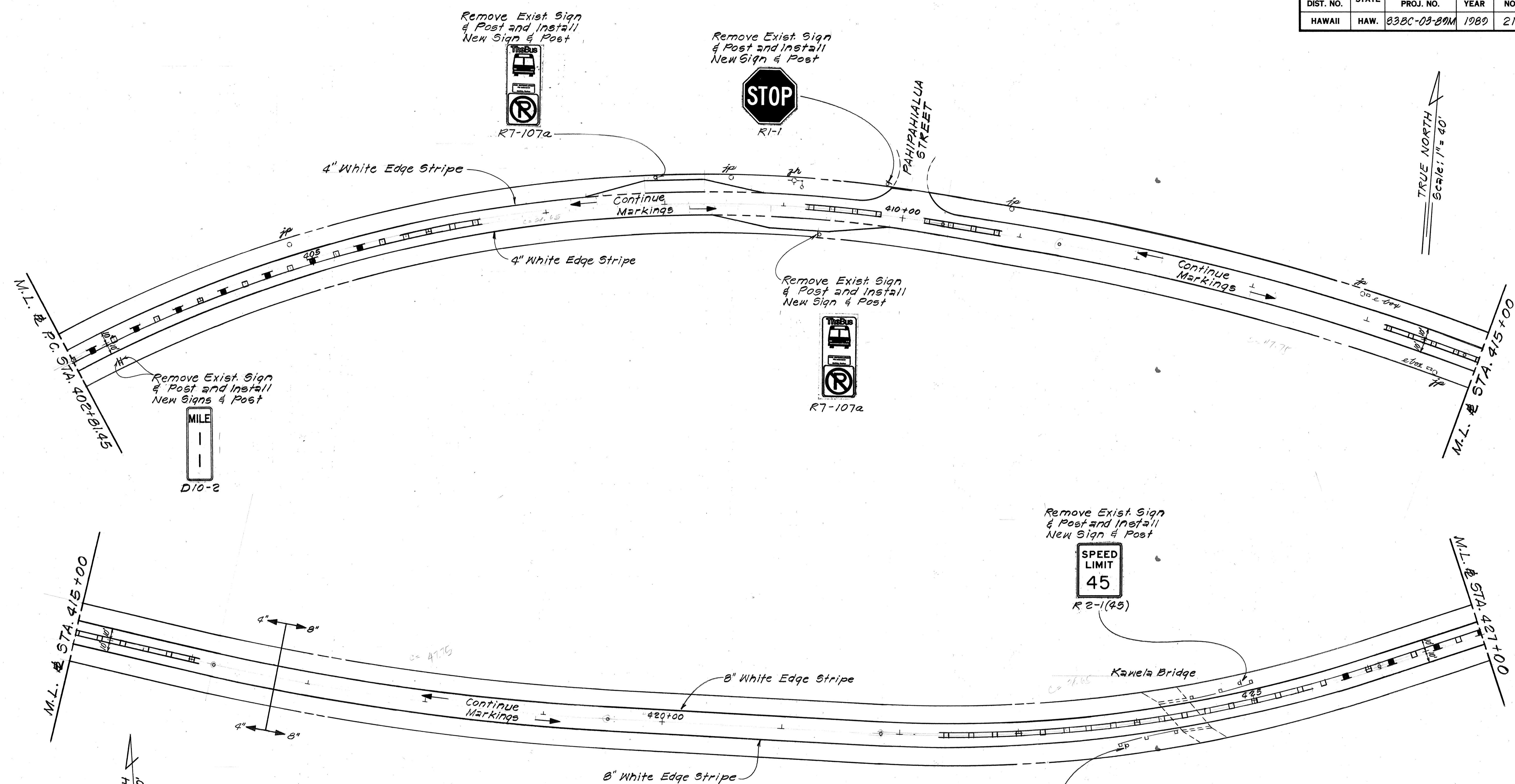
Remove Exist Sign & Post and Install New Sign & Post
 R2-1(45)

SURVEY PLOTTED BY	DATE
DRAWN BY	
DESIGNED BY	
QUANTITIES BY	
CHECKED BY	
ORIGINAL PLAN NO.	
NOTE BOOK NO.	

DATE	REVISION
9/10/89	Added Bus Bays & Signs.

STATE OF HAWAII
 DEPARTMENT OF TRANSPORTATION
 HIGHWAYS DIVISION
SIGNING & PAVEMENT MARKING PLANS
 KAMEHAMEHA HIGHWAY RESURFACING
 Vicinity of Waialeale Bridge to
 Kahuku Elem. & High School
 Project No. 83BC-03-89M
 Scale: 1"=40' Date: Apr. 1989
 SHEET No. 7 OF 15 SHEETS

FED. ROAD DIST. NO.	STATE	PROJ. NO.	FISCAL YEAR	SHEET NO.	TOTAL SHEETS
HAWAII	HAW.	83BC-03-89M	1989	21	33



SURVEY PLOTTED BY	DATE
DRAWN BY	
DESIGNED BY	
QUANTITIES BY	
CHECKED BY	
ORIGINAL PLAN	
NOTE BOOK	
No.	

DATE	REVISION
9/6/89	Added Bus Bays and Signs

STATE OF HAWAII
DEPARTMENT OF TRANSPORTATION
HIGHWAYS DIVISION

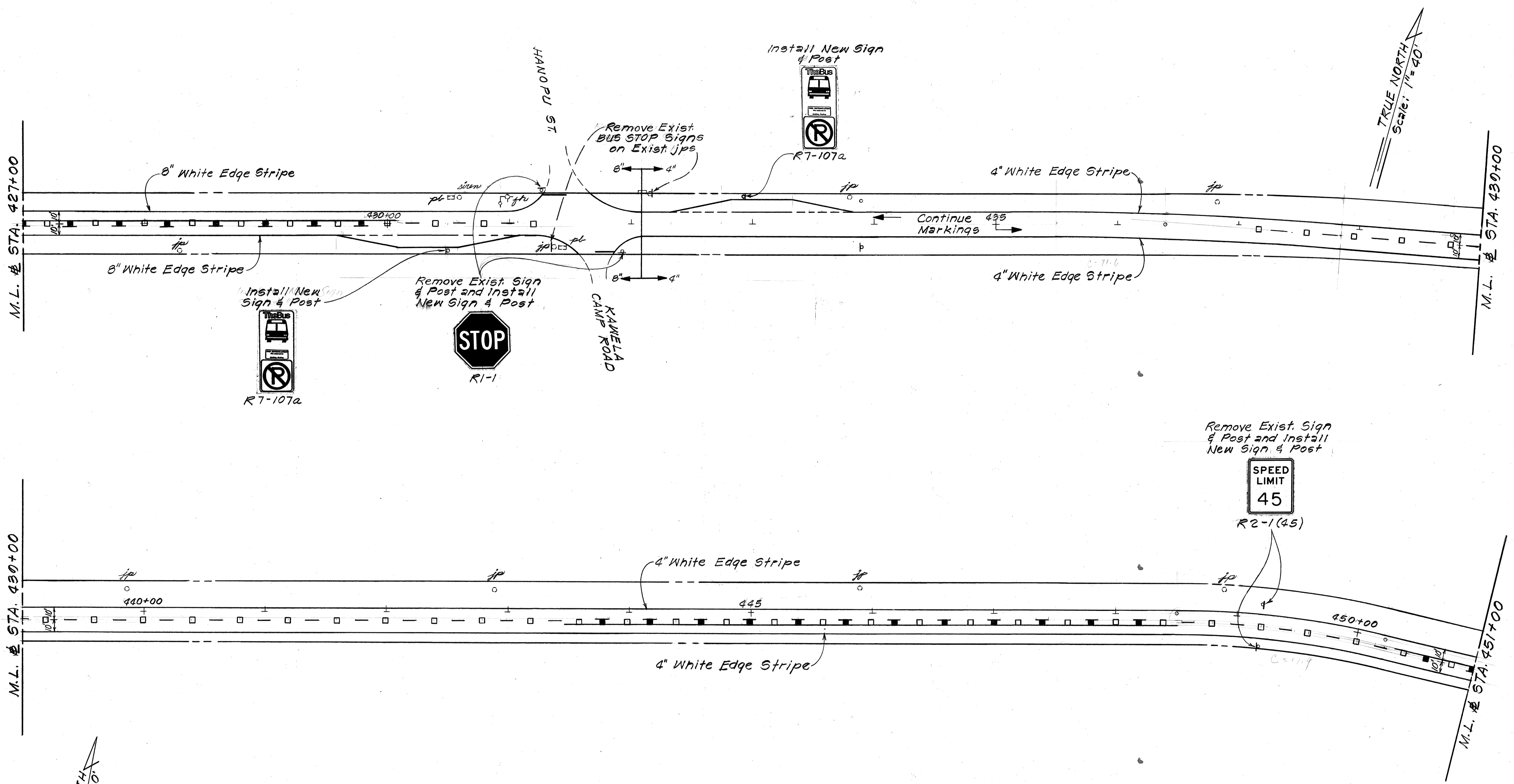
SIGNING & PAVEMENT MARKING PLANS

KAMEHAMEHA HIGHWAY RESURFACING
Vicinity of Waialea Bridge to
Kahuku Elem. & High School
Project No. 83BC-03-89M

Scale: 1"=40' Date: Apr. 1989

SHEET No. 73 OF 15 SHEETS

FED. ROAD DIST. NO.	STATE	PROJ. NO.	FISCAL YEAR	SHEET NO.	TOTAL SHEETS
HAWAII	HAW.	83BC-03-89M	1989	22	33



ORIGINAL PLAN	DATE
DRAWN BY	
DESIGNED BY	
QUANTITIES BY	
CHECKED BY	
NO.	

TRUE NORTH
Scale: 1" = 40'

01/6/89	Added Bus Bays and Signs
DATE	REVISION

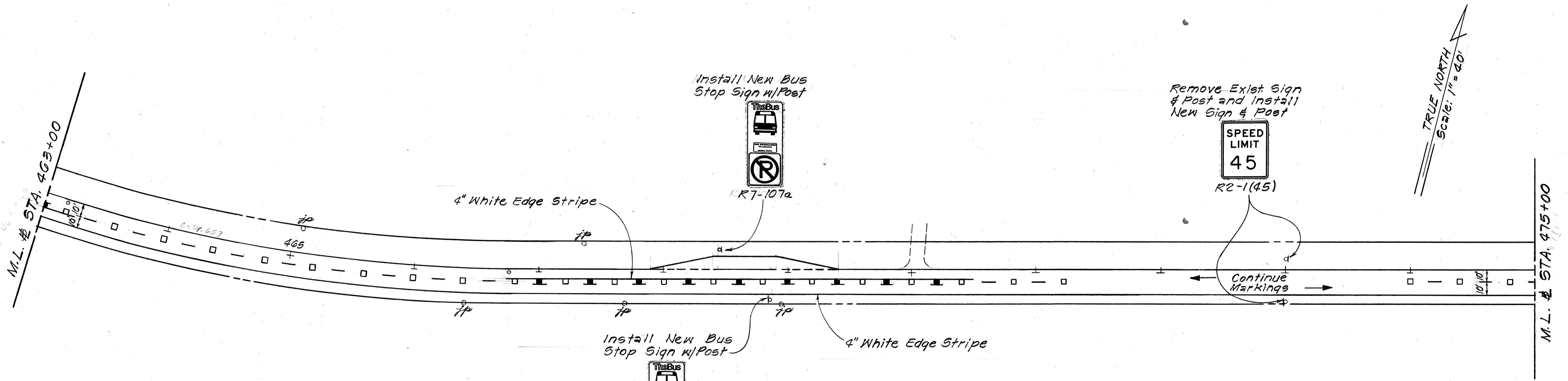
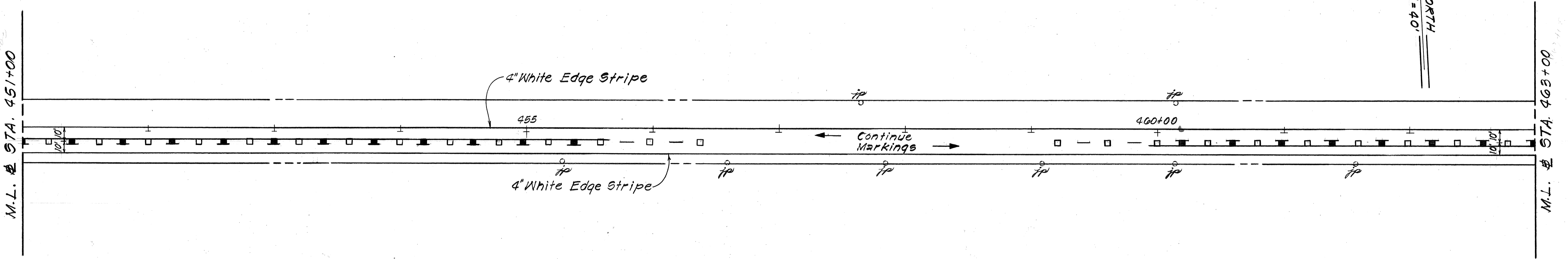
STATE OF HAWAII
DEPARTMENT OF TRANSPORTATION
HIGHWAYS DIVISION
SIGNING & PAVEMENT MARKING PLANS

KAMEHAMEHA HIGHWAY RESURFACING
Vicinity of Waialeale Bridge to
Kahuku Elem. & High School
Project No. 83BC-03-89M

Scale: 1" = 40' Date: Apr, 1989
SHEET No. 24 OF 15 SHEETS

FED. ROAD DIST. NO.	STATE	PROJ. NO.	FISCAL YEAR	SHEET NO.	TOTAL SHEETS
HAWAII	HAW.	03BC-03-80M	1989	23	33

TRUE NORTH
Scale: 1" = 40'



TRUE NORTH
Scale: 1" = 40'

DATE	SURVEY PLOTTED BY
DATE	DESIGNED BY
DATE	CHECKED BY

DATE	REVISION
11/22/89	Delete installation of Milepost Signs & Post. Added Bus Bay & Signs.

STATE OF HAWAII
DEPARTMENT OF TRANSPORTATION
HIGHWAYS DIVISION
SIGNING & PAVEMENT MARKING PLANS

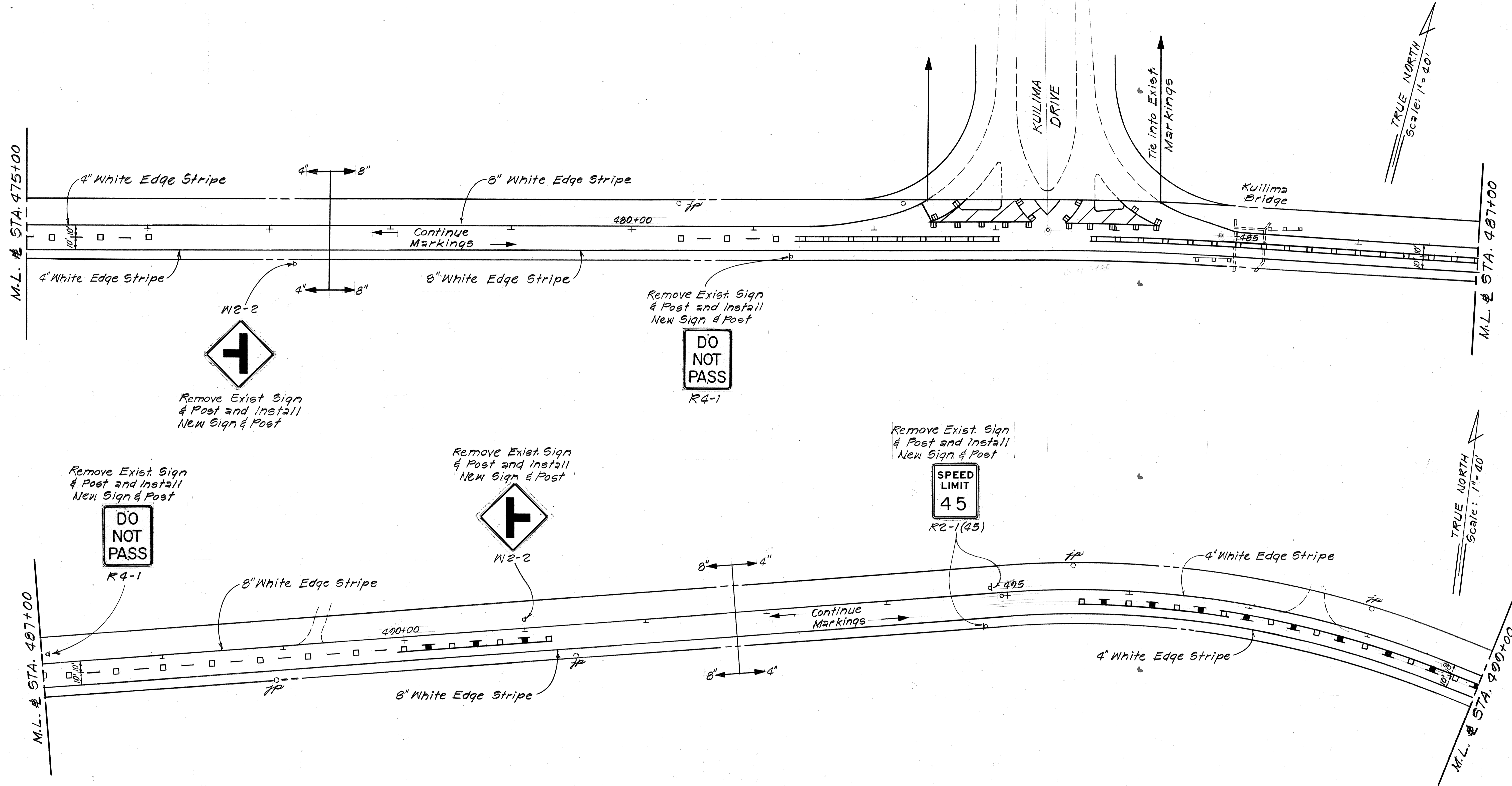
KAMEHAMEHA HIGHWAY RESURFACING
Vicinity of Waialeale Bridge to
Kahuku Elem. & High School
Project No. 03BC-03-80M

Scale: 1" = 40' Date: Apr, 1989

SHEET No. 23 OF 15 SHEETS

C.O. 23

FED. ROAD DIST. NO.	STATE	PROJ. NO.	FISCAL YEAR	SHEET NO.	TOTAL SHEETS
HAWAII	HAW.	83BC-03-80M	1980	24	33



ORIGINAL PLAN	DATE
DESIGNED BY	
TRACED BY	
NOTE BOOK	
QUANTITIES BY	
CHECKED BY	
No.	

STATE OF HAWAII
DEPARTMENT OF TRANSPORTATION
HIGHWAYS DIVISION

SIGNING & PAVEMENT MARKING PLANS

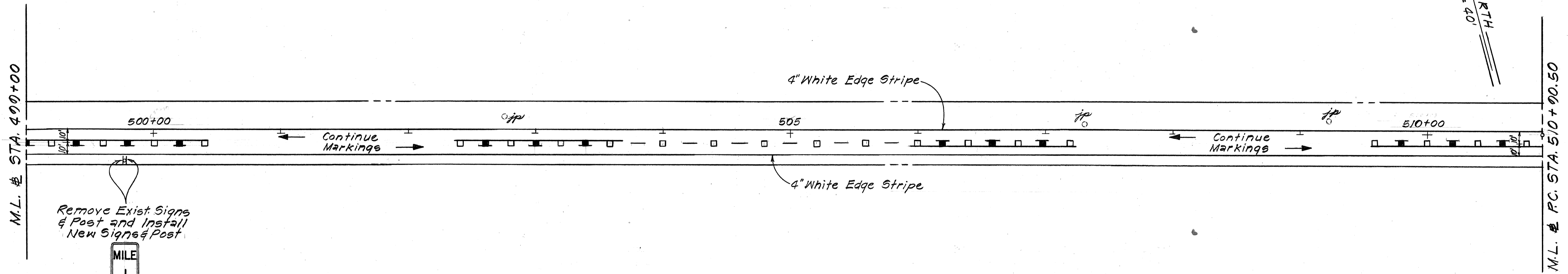
KAMEHAMEHA HIGHWAY RESURFACING
Vicinity of Waialea Bridge to
Kahuku Elem. & High School
Project No. 83BC-03-80M

Scale: 1"=40' Date: Apr, 1980

SHEET No. 24 OF 15 SHEETS

FED. ROAD DIST. NO.	STATE	PROJ. NO.	FISCAL YEAR	SHEET NO.	TOTAL SHEETS
HAWAII	HAW.	83BC-03-89M	1989	25	33

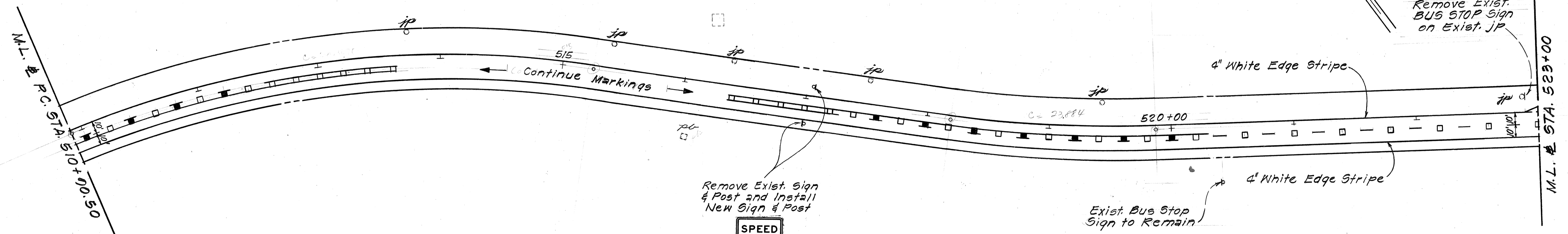
TRUE NORTH
Scale: 1" = 40'



Remove Exist Signs & Post and Install New Signs & Post

MILE
1
3
D10-2

TRUE NORTH
Scale: 1" = 40'



Remove Exist. Sign & Post and Install New Sign & Post

SPEED LIMIT
45
R2-1(45)

Exist. Bus Stop Sign to Remain

DATE	
SURVEY PLOTTED BY	
DRAWN BY	
DESIGNED BY	
QUANTITIES BY	
CHECKED BY	
NO.	

DATE	REVISION
01/6/89	Remove Exist. BUS STOP Sign.

STATE OF HAWAII
DEPARTMENT OF TRANSPORTATION
HIGHWAYS DIVISION
SIGNING & PAVEMENT MARKING PLANS

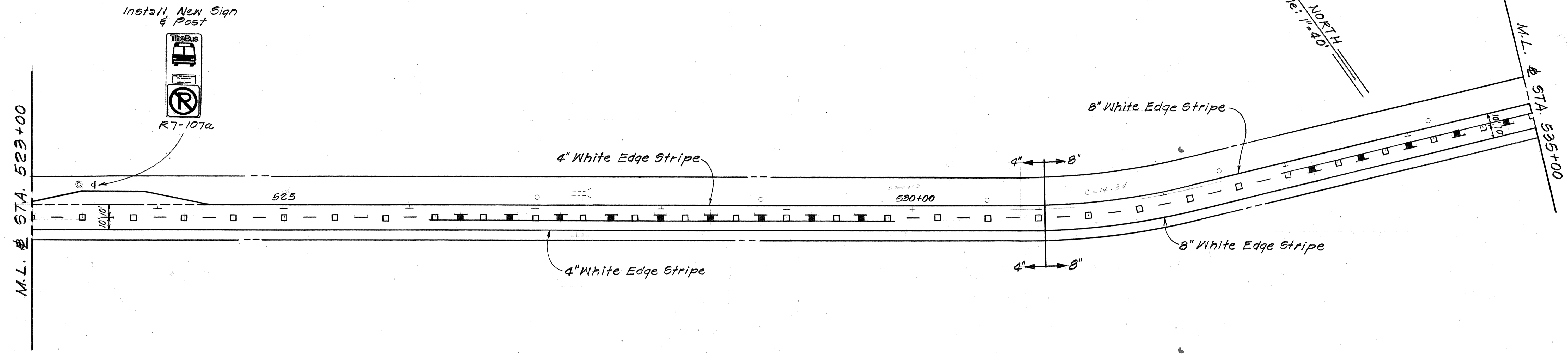
KAMEHAMEHA HIGHWAY RESURFACING
Vicinity of Waialeale Bridge to
Kahuku Elem. & High School
Project No. 83BC-03-89M

Scale: 1" = 40' Date: Apr, 1989

SHEET NO. 77 OF 15 SHEETS

FED. ROAD DIST. NO.	STATE	PROJ. NO.	FISCAL YEAR	SHEET NO.	TOTAL SHEETS
HAWAII	HAW.	83BC-03-89M	1989	26	33

TRUE NORTH
Scale: 1"=40'



Remove Exist. Sign & Post and Install New Sign & Post



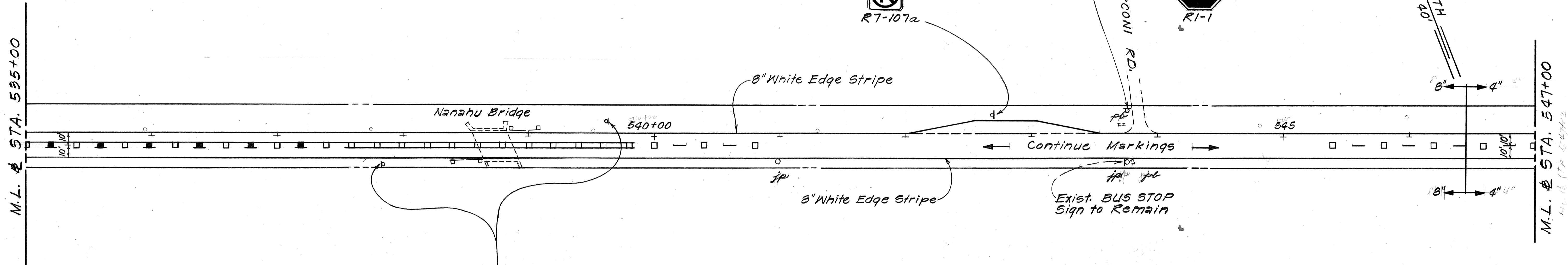
R7-107a

Remove Exist. Sign & Post and Install New Sign & Post



R1-1

TRUE NORTH
Scale: 1"=40'



Install New Sign & Post



R2-1(45)

Exist. BUS STOP Sign to Remain

DATE	REVISION
9/6/89	Added Bus Bays and Signs.

STATE OF HAWAII
DEPARTMENT OF TRANSPORTATION
HIGHWAYS DIVISION
SIGNING & PAVEMENT MARKING PLANS

KAMEHAMEHA HIGHWAY RESURFACING
Vicinity of Waialeale Bridge to
Kahuku Elem. & High School
Project No. 83BC-03-89M

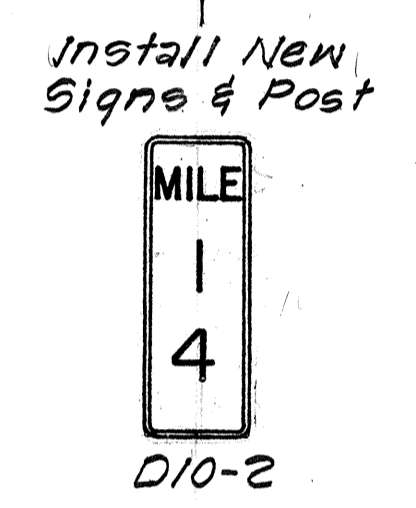
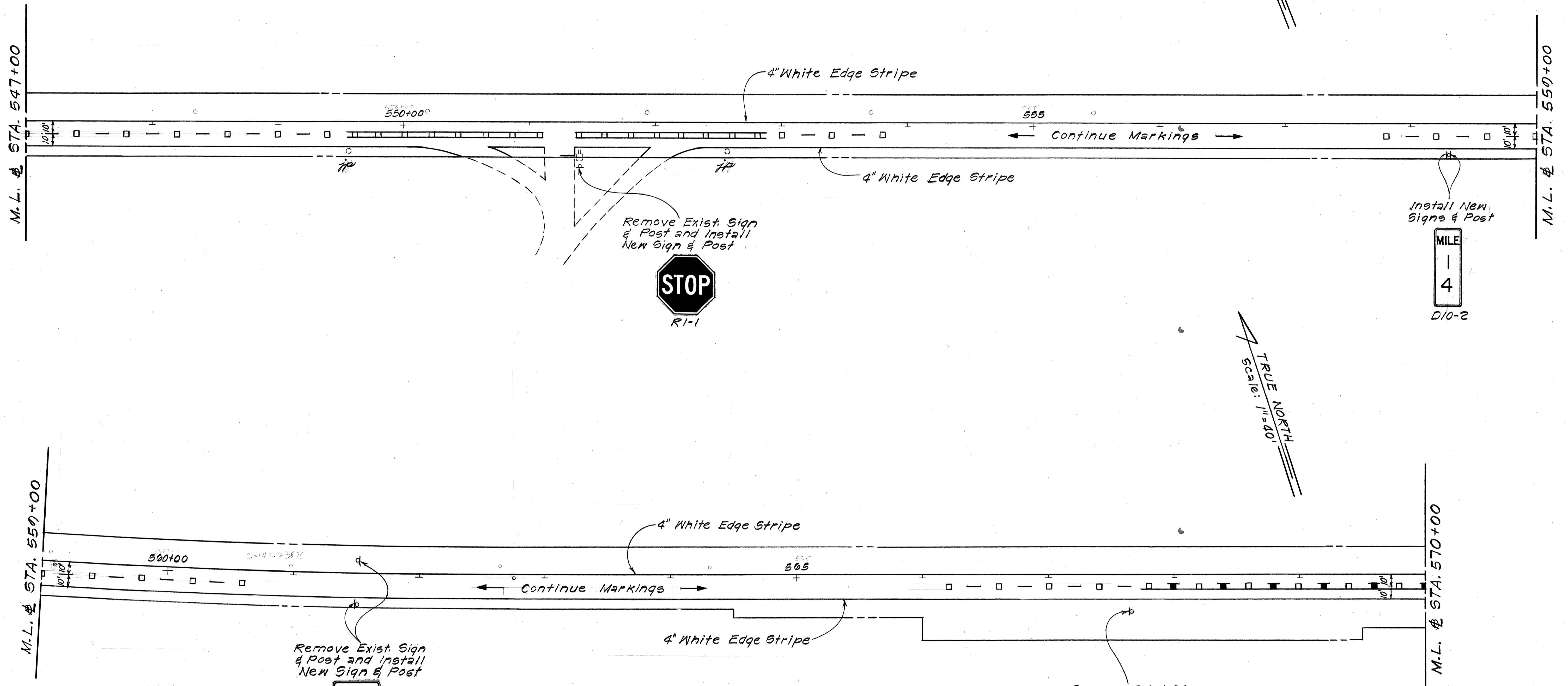
Scale: 1"=40' Date: Apr. 1989

SHEET No. 26 OF 15 SHEETS

DATE	_____
SURVEY PLOTTED BY	_____
DESIGNED BY	_____
DESIGNED BY	_____
QUANTITIES BY	_____
CHECKED BY	_____
NO.	_____

FED. ROAD DIST. NO.	STATE	PROJ. NO.	FISCAL YEAR	SHEET NO.	TOTAL SHEETS
HAWAII	HAW.	B3BC-03-89M	1989	27	33

TRUE NORTH
Scale: 1"=40'



TRUE NORTH
Scale: 1"=40'

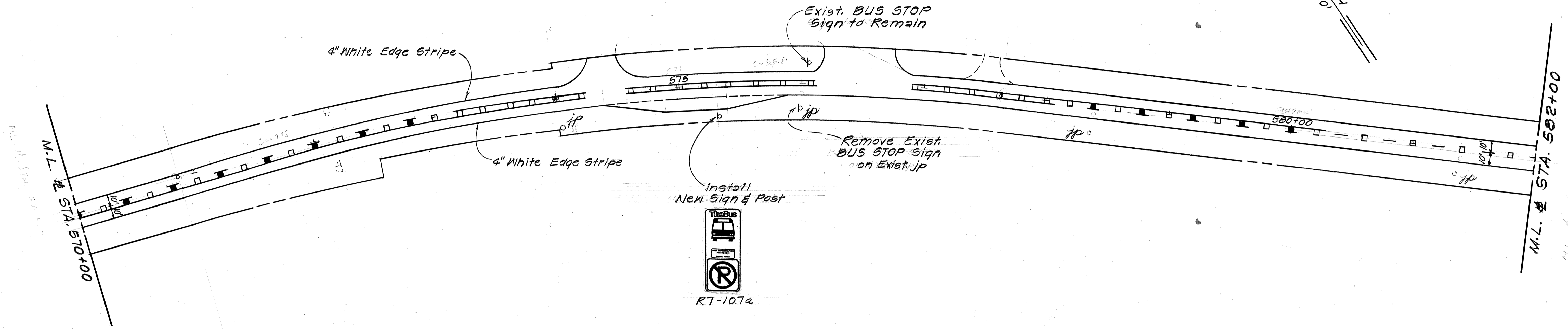
DATE	_____
SURVEY PLOTTED BY	_____
TRACED BY	_____
DESIGNED BY	_____
QUANTITIES BY	_____
CHECKED BY	_____
NO.	_____

STATE OF HAWAII
DEPARTMENT OF TRANSPORTATION
HIGHWAYS DIVISION
SIGNING & PAVEMENT MARKING PLANS
KAMEHAMEHA HIGHWAY RESURFACING
Vicinity of Waialea Bridge to
Kahuku Elem. & High School
Project No. B3BC-03-89M
Scale: 1"=40' Date: Apr, 1989
SHEET No. 27 OF 15 SHEETS

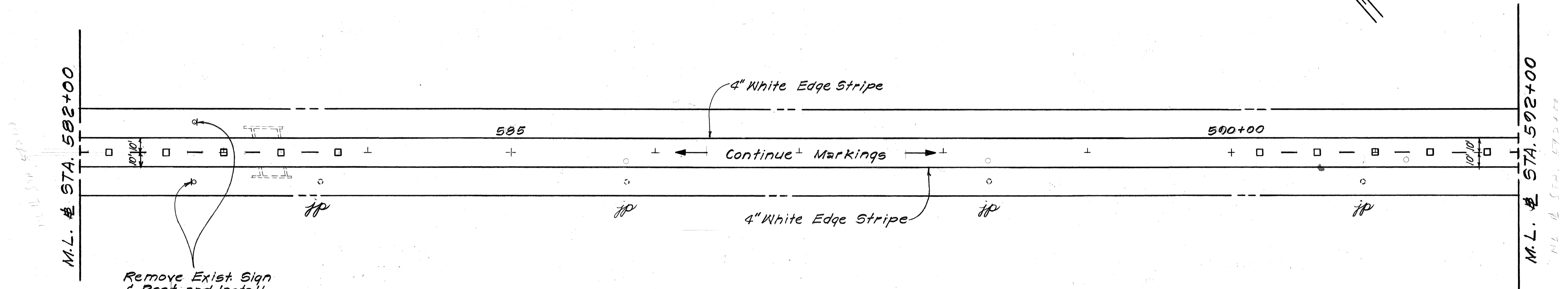
FED. ROAD DIST. NO.	STATE	PROJ. NO.	FISCAL YEAR	SHEET NO.	TOTAL SHEETS
HAWAII	HAW.	B3BC-03-89M	1989	28	33

TRUE NORTH
Scale: 1" = 40'

TANAKA STORE



TRUE NORTH
Scale: 1" = 40'



Remove Exist. Sign & Post and Install New Sign & Post
SPEED LIMIT 45
R2-1(45)

SURVEY PLOTTED BY	DATE
DRAWN BY	
DESIGNED BY	
QUANTITIES BY	
CHECKED BY	
ORIGINAL PLAN	
NOTE BOOK	
NO.	

DATE	REVISION
9/10/89	Added Bus Bay and Sign.

STATE OF HAWAII
DEPARTMENT OF TRANSPORTATION
HIGHWAYS DIVISION
SIGNING & PAVEMENT MARKING PLANS
KAMEHAMEHA HIGHWAY RESURFACING
Vicinity of Waialeale Bridge to
Kahuku Elem. & High School
Project No. B3BC-03-89M
Scale: 1" = 40' Date: Apr., 1989
SHEET NO. 7 OF 15 SHEETS

FED. ROAD DIST. NO.	STATE	PROJ. NO.	FISCAL YEAR	SHEET NO.	TOTAL SHEETS
HAWAII	HAW.	83BC-03-B01M	1989	29	33

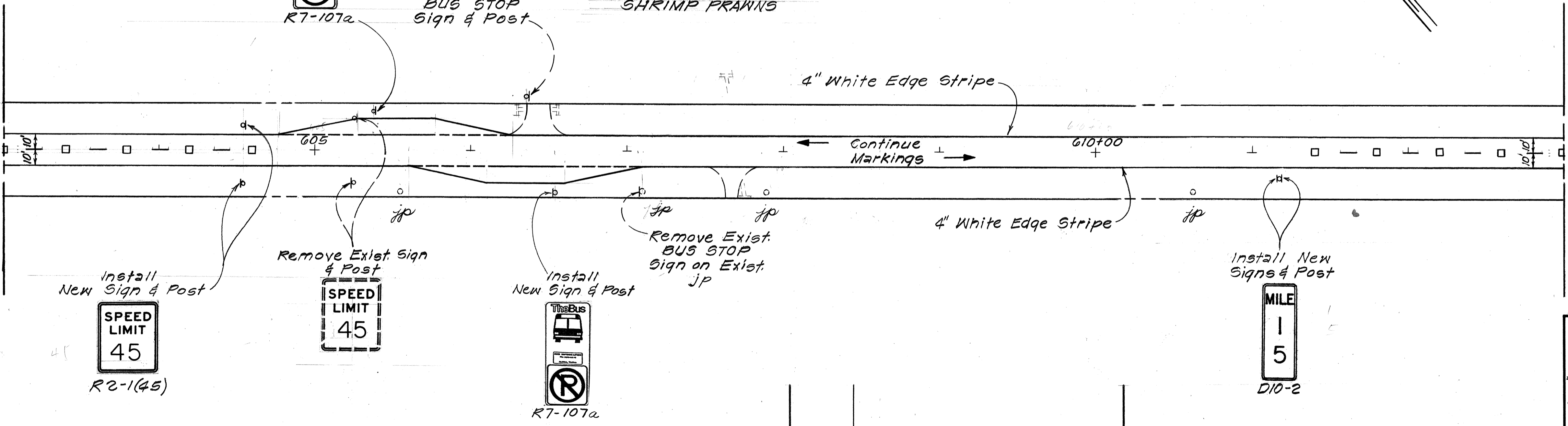
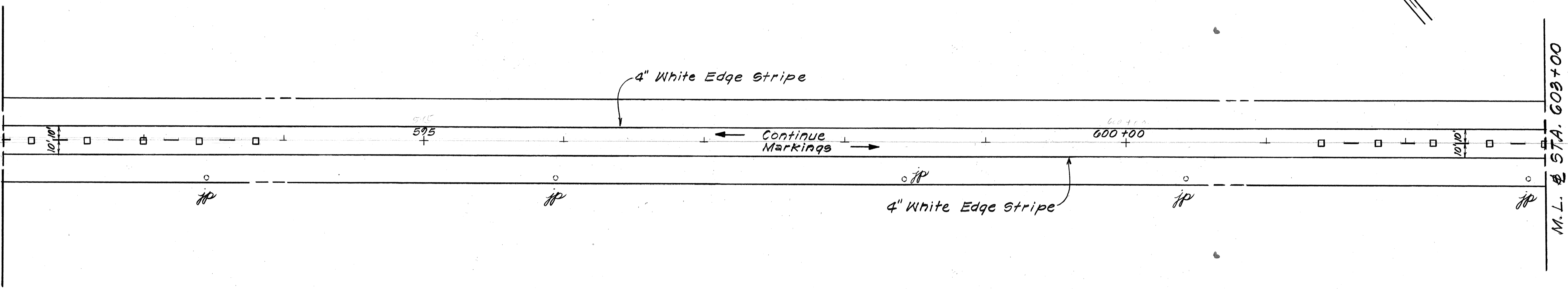
TRUE NORTH
Scale: 1" = 40'

M.L. STA. 592+00

M.L. STA. 603+00

M.L. STA. 603+00

M.L. STA. 613+00



TRUE NORTH
Scale: 1" = 40'

ORIGINAL PLAN	DATE
DRAWN BY	
DESIGNED BY	
QUANTITIES BY	
CHECKED BY	
No.	

9/6/89	Added Bus Bays and Signs.
9/6/89	REVISION

STATE OF HAWAII
DEPARTMENT OF TRANSPORTATION
HIGHWAYS DIVISION

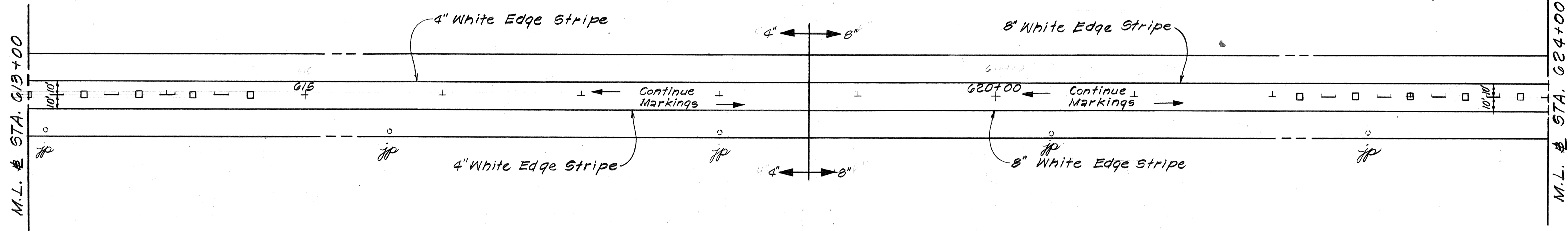
SIGNING & PAYEMENT MARKING PLANS

KAMEHAMEHA HIGHWAY RESURFACING
Vicinity of Waialeale Bridge to
Kahuku Elem. & High School
Project No. 83 BC-03-B01M

Scale: 1" = 40' Date: Apr. 1989

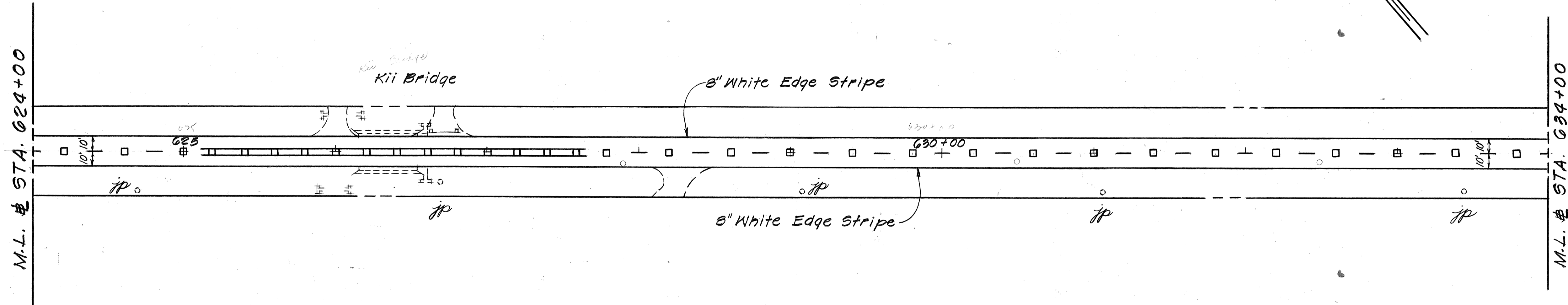
SHEET No. 711 OF 15 SHEETS

FED. ROAD DIST. NO.	STATE	PROJ. NO.	FISCAL YEAR	SHEET NO.	TOTAL SHEETS
HAWAII	HAW.	83BC-03-89M	1989	30	33



TRUE NORTH
Scale: 1" = 40'

TRUE NORTH
Scale: 1" = 40'



M.L. STA. 634+00

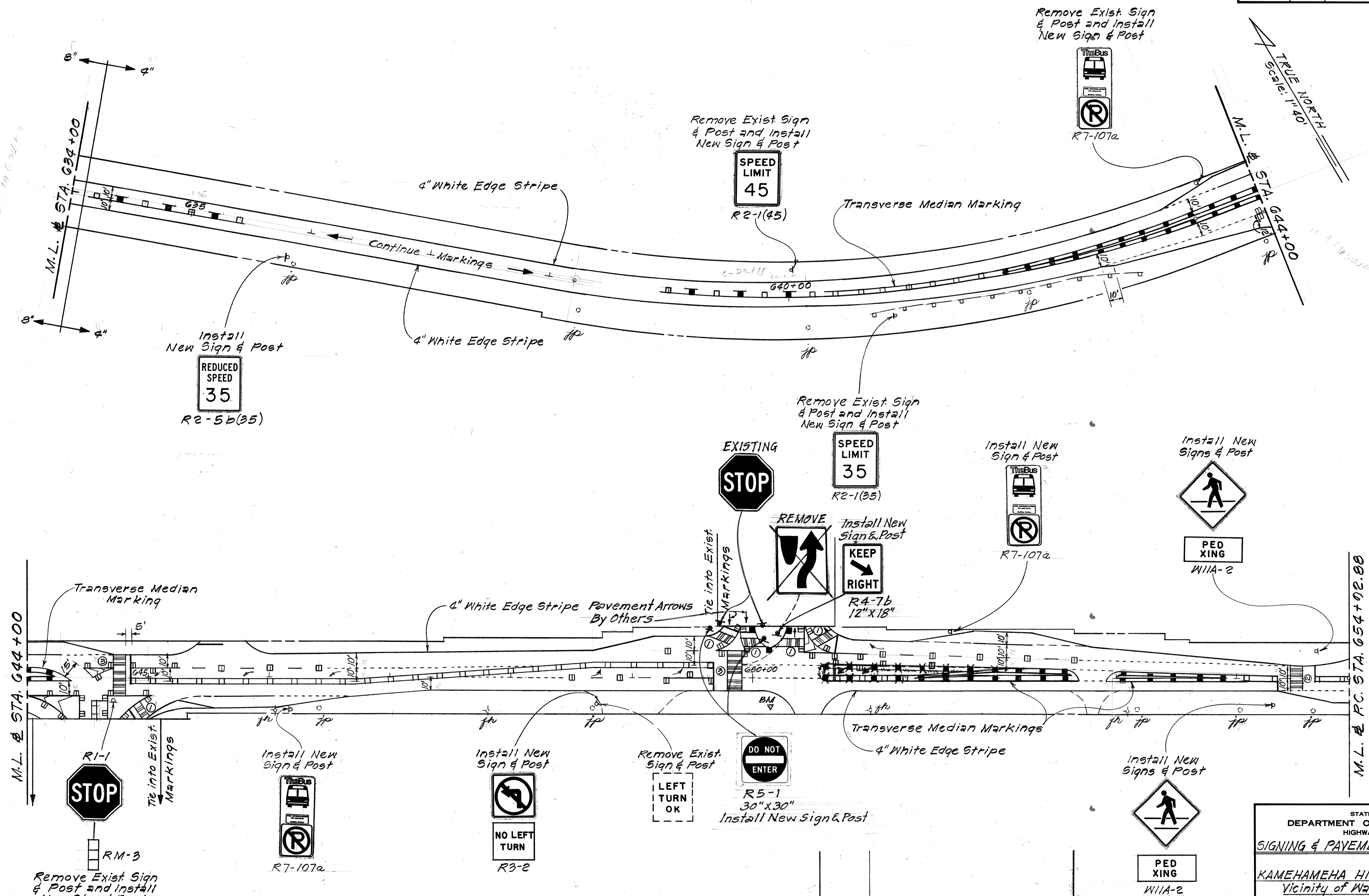
M.L. STA. 644+00

ORIGINAL PLAN No.	DATE
SURVEY PLOTTED BY	
DRAWN BY	
DESIGNED BY	
QUANTITIES BY	
CHECKED BY	

STATE OF HAWAII
DEPARTMENT OF TRANSPORTATION
HIGHWAYS DIVISION
SIGNING & PAVEMENT MARKING PLANS
KAMEHAMEHA HIGHWAY RESURFACING
Vicinity of Waialea Bridge to
Kahuku Elem & High School
Project No. 83BC-03-89M
Scale: 1" = 40' Date: Apr, 1989

SHEET No. 7/20 OF 15 SHEETS

FED. ROAD DIST. NO.	STATE	PROJ. NO.	FISCAL YEAR	SHEET NO.	TOTAL SHEETS
HAWAII	HAW.	83BC-03-89M	1989	31	33



SURVEY PLOTTED BY	DATE
DRAWN BY	
DESIGNED BY	
QUANTITIES BY	
CHECKED BY	
NO.	

DATE	REVISION
9/15/80	Revised BUS STOP Signs.

STATE OF HAWAII
DEPARTMENT OF TRANSPORTATION
HIGHWAYS DIVISION

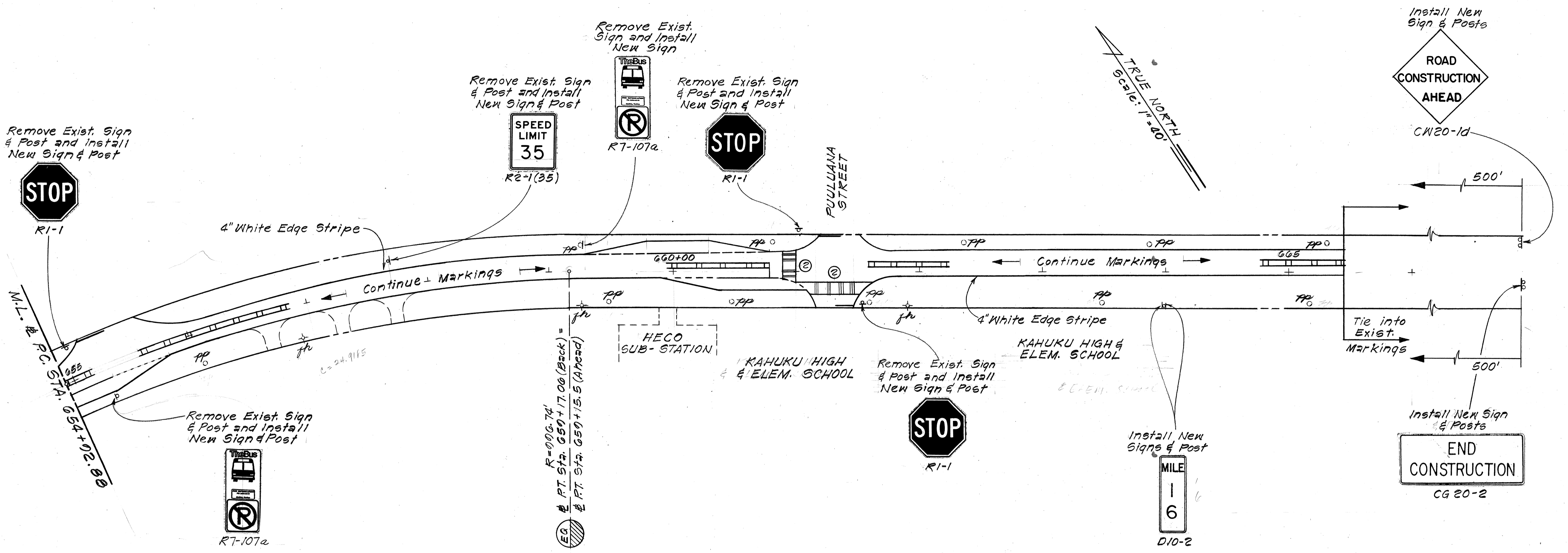
SIGNING & PAYEMENT MARKING PLANS

KAMEHAMEHA HIGHWAY RESURFACING
Vicinity of Waialea Bridge to
Kahuku Elem. & High School
Project No. 83BC-03-89M

Scale: 1" = 40' Date: Apr., 1989

SHEET NO. 7 OF 15 SHEETS

FED. ROAD DIST. NO.	STATE	PROJ. NO.	FISCAL YEAR	SHEET NO.	TOTAL SHEETS
HAWAII	HAW.	83BC-03-87M	1989	32	33



ORIGINAL PLAN	NO.
DESIGNED BY	
TRACED BY	
CHECKED BY	
DATE	

DATE	REVISION
01/01/89	Revised BUS STOP Sign and added Striping of Exist. Bus Bay

STATE OF HAWAII
DEPARTMENT OF TRANSPORTATION
HIGHWAYS DIVISION
SIGNING & PAVEMENT MARKING PLANS

KAMEHAMEHA HIGHWAY RESURFACING
Vicinity of Waialea Bridge to
Kahuku Elem. & High School
Project No. 83 BC-03-87M

Scale: 1" = 40' Date: Apr., 1989

SHEET No. 714 OF 15 SHEETS

C.O. 32

PAVEMENT MARKING SUMMARY	
DESCRIPTION	QUANTITY
PAVEMENT MARKERS	
TYPE A	42,740 Ea.
" CL	65 "
" DL	775 "
" HL	295 "
" J	1,960 "
TAPE~TYPE I	
4-INCH PAVEMENT STRIPE (YELLOW)	9,050 L.F.
8-INCH PAVEMENT STRIPE (WHITE)	100 "
DOUBLE 4-INCH PAVEMENT STRIPE (YELLOW)	5,310 "
PAVEMENT ARROWS	7
PAVEMENT WORDS	8
TAPE~TYPE II OR THERMOPLASTIC EXTRUSION	
4-INCH PAVEMENT STRIPE (WHITE)	42,700 L.F.
8-INCH PAVEMENT STRIPE (WHITE)	11,170 "
12-INCH PAVEMENT STRIPE (WHITE)	200 "
DOUBLE 4-INCH PAVEMENT STRIPE (YELLOW)	1,770 "
THERMOPLASTIC EXTRUSION	
4-INCH PAVEMENT STRIPE (WHITE)	1,080 L.F.
12-INCH PAVEMENT STRIPE (WHITE)	340 "
CROSSWALK MARKINGS	17 LANES

CONSTRUCTION SIGN				
SIGN No.	LOCATION	MESSAGE	% Post	% No Post
CG 20-2	⊕ STA. 375+35 LT.	END CONSTRUCTION	1	
CG 20-1d	⊕ STA. 375+35 RT.	ROAD CONSTRUCTION AHEAD	1	
CW 20-1d	⊕ STA. 671+00 LT.	ROAD CONSTRUCTION AHEAD	1	
CG 20-2	⊕ STA. 671+00 RT.	END CONSTRUCTION	1	

TRAFFIC SIGN SUMMARY					
SIGN No.	MESSAGE	QUANTITY			
		10 SQ. FT. or LESS		GREATER THAN 10 SQ. FT.	
		% Post	% No Post	% Post	% No Post
R1-1(1)	STOP	8			
R2-1(35)	SPEED LIMIT 35	1			
R2-1(45)	SPEED LIMIT 45	20			
R2-5b(35)	REDUCED SPEED 35	1			
R3-2	NO LEFT TURN	1			
R4-1	DO NOT PASS	3			
R7-107a	BUS STOP	4	1		
W2-2	⊥	2			
W11A-2	PED XING	2			

REFLECTOR MARKER SUMMARY				
TYPE	QUANTITY			
	% No Post	% Flexible Post	% Steel Post	
TYPE II OBJECT MARKER	250	20		

MILEPOST MARKER SUMMARY			
M.P. No.	LOCATION	QUANTITY	
		% Post	% No Post
11	⊕ STA. 403+16 RT.	1	1
12	⊕ STA. 453+32 "	1	1
13	⊕ STA. 499+78 "	1	1
14	⊕ STA. 558+30 "	1	1
15	⊕ STA. 611+10 "	1	1
16	⊕ STA. 663+90 "	1	1

SURVEY PLOTTED BY _____ DATE _____
 DRAWN BY _____
 TRACED BY _____
 DESIGNED BY _____
 QUANTITIES BY _____
 CHECKED BY _____
 ORIGINAL PLAN NO. _____

STATE OF HAWAII
 DEPARTMENT OF TRANSPORTATION
 HIGHWAYS DIVISION
MISCELLANEOUS SUMMARIES
 KAMEHAMEHA HIGHWAY RESURFACING
 Vicinity of Waialeale Bridge to
 Kahuku Elem. & High School
 Project No. 83BC-03-89M
 Scale: 1"=40' Date: Apr, 1989
 SHEET No. 715 OF 15 SHEETS