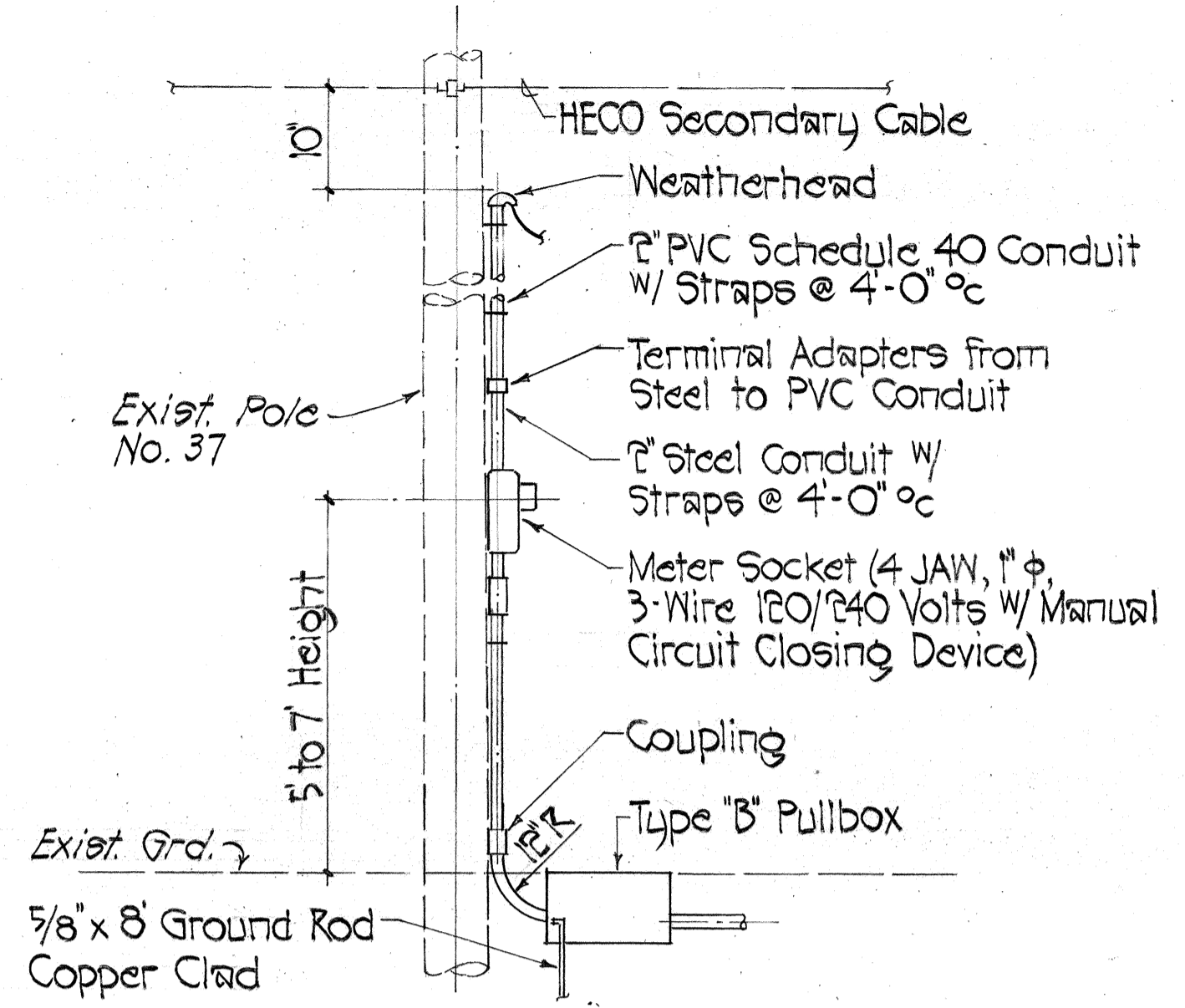


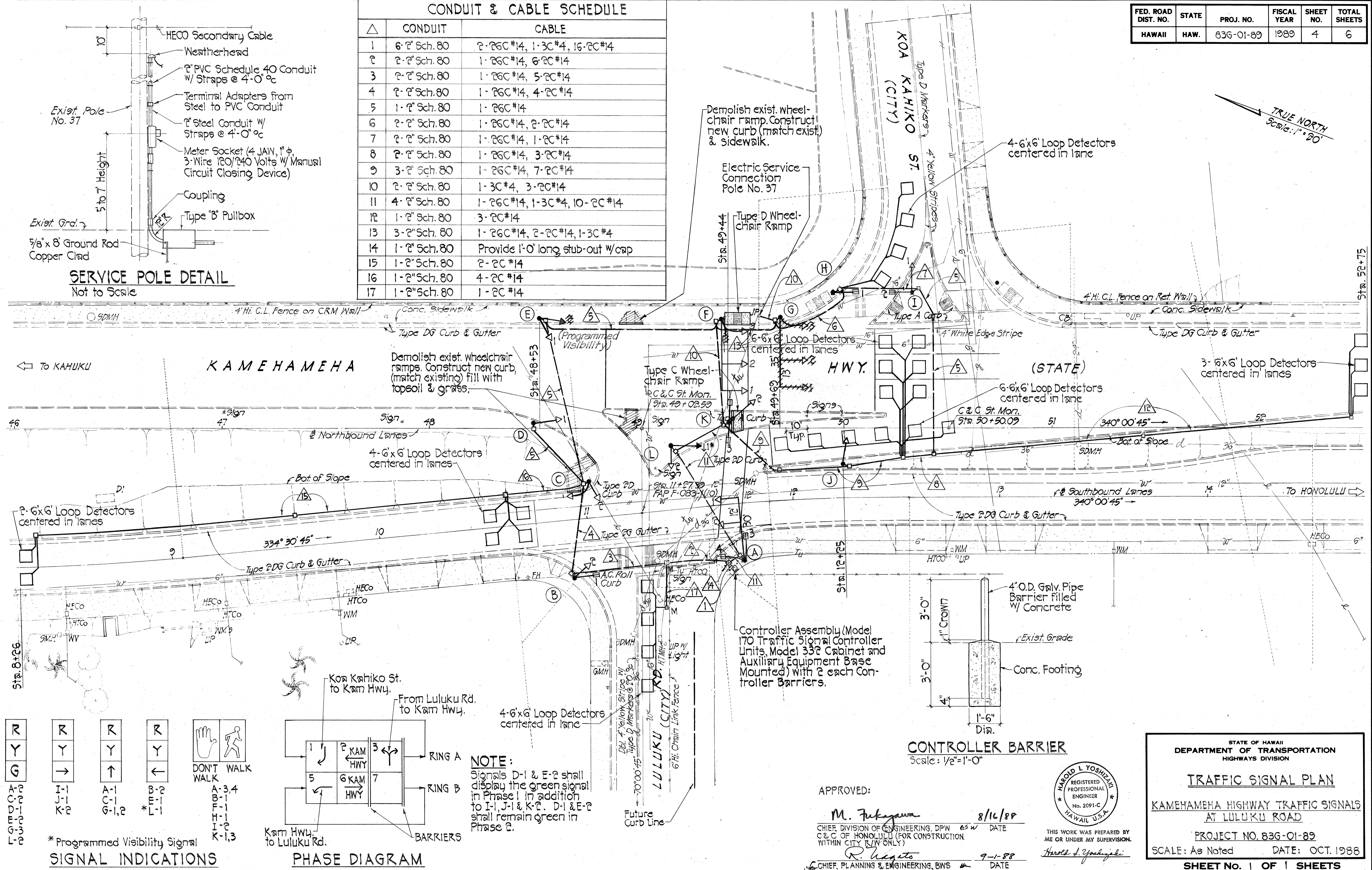
FED. ROAD DIST. NO.	STATE	PROJ. NO.	FISCAL YEAR	SHEET NO.	TOTAL SHEETS
HAWAII	HAW.	636-01-89	1989	4	6

CONDUIT & CABLE SCHEDULE

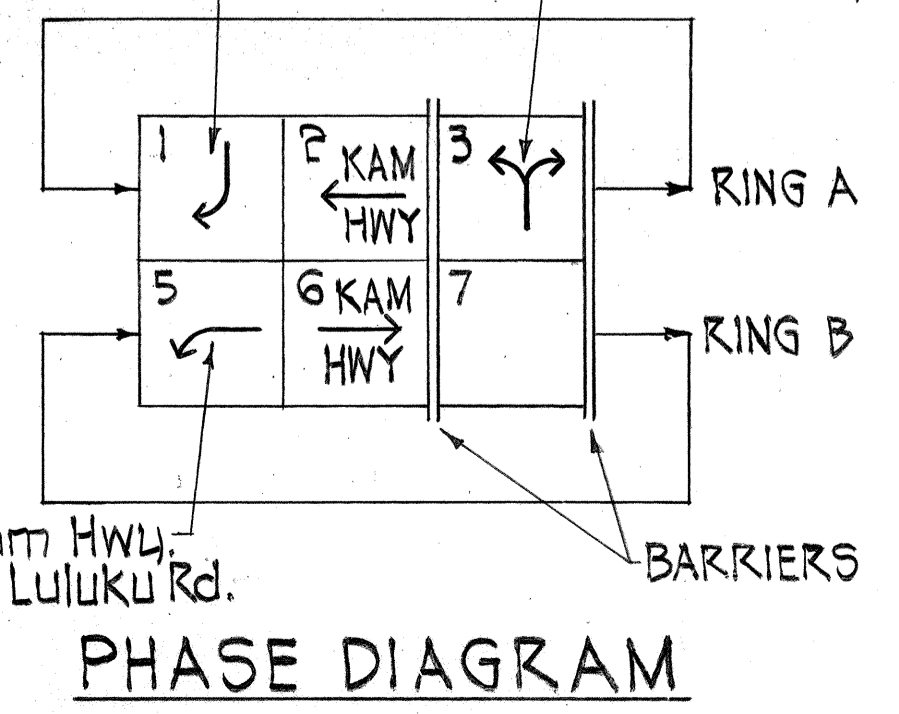
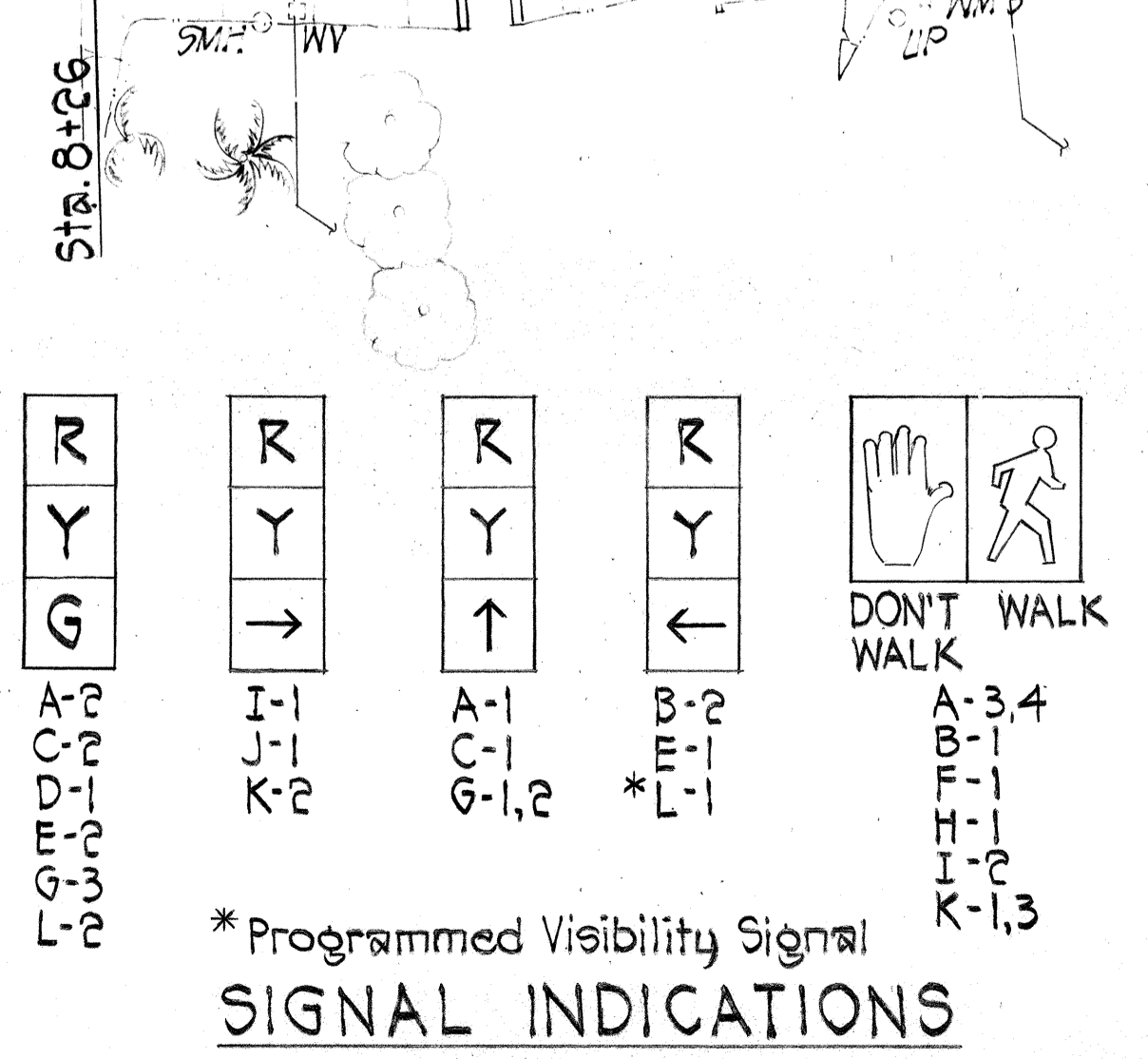
△	CONDUIT	CABLE
1	6" Sch. 80	2-26C #14, 1-3C #4, 16-2C #14
2	2" Sch. 80	1-26C #14, 6-2C #14
3	2" Sch. 80	1-26C #14, 5-2C #14
4	2" Sch. 80	1-26C #14, 4-2C #14
5	1" Sch. 80	1-26C #14
6	2" Sch. 80	1-26C #14, 2-2C #14
7	2" Sch. 80	1-26C #14, 1-2C #14
8	2" Sch. 80	1-26C #14, 3-2C #14
9	3" Sch. 80	1-26C #14, 7-2C #14
10	2" Sch. 80	1-3C #4, 3-2C #14
11	4" Sch. 80	1-26C #14, 1-3C #4, 10-2C #14
12	1" Sch. 80	3-2C #14
13	3" Sch. 80	1-26C #14, 2-2C #14, 1-3C #4
14	1" Sch. 80	Provide 1'-0" long stub-out w/ cap
15	1" Sch. 80	2-2C #14
16	1" Sch. 80	4-2C #14
17	1" Sch. 80	1-2C #14



SERVICE POLE DETAIL
Not to Scale



TRUE NORTH
Scale: 1" = 20'



CONTROLLER BARRIER
Scale: 1/2" = 1'-0"

APPROVED:
M. Fukagawa 8/16/88
CHIEF, DIVISION OF ENGINEERING, DPW
C & C OF HONOLULU (FOR CONSTRUCTION WITHIN CITY B/W ONLY)
R. Uegata 9-1-88
CHIEF, PLANNING & ENGINEERING, BWS



THIS WORK WAS PREPARED BY ME OR UNDER MY SUPERVISION.
Harold I. Yoshizaki

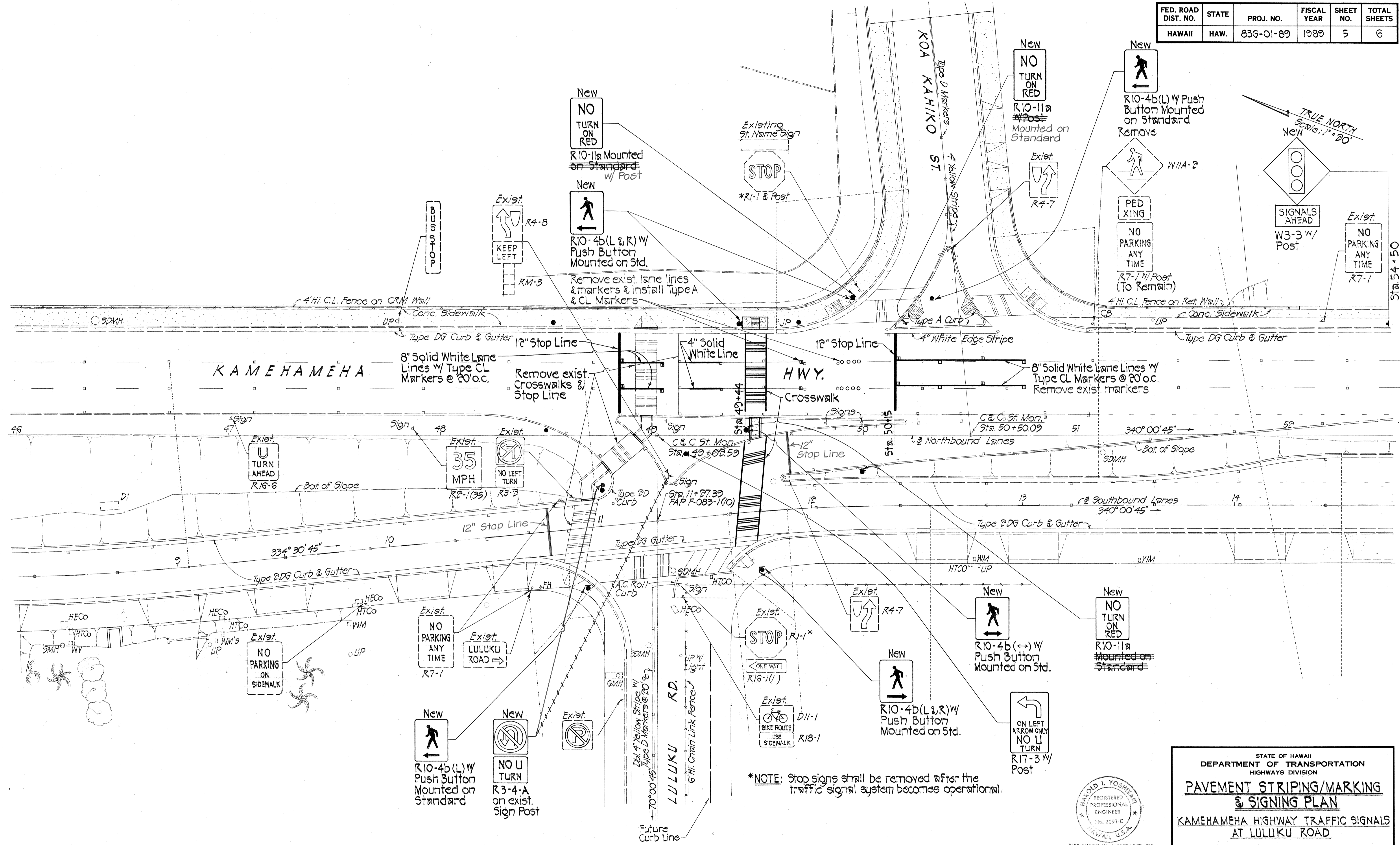
STATE OF HAWAII
DEPARTMENT OF TRANSPORTATION
HIGHWAYS DIVISION

TRAFFIC SIGNAL PLAN

KAMEHAMEHA HIGHWAY TRAFFIC SIGNALS
AT LULUKU ROAD

PROJECT NO. 836-01-89
SCALE: As Noted DATE: OCT. 1988
SHEET NO. 1 OF 1 SHEETS

FED. ROAD DIST. NO.	STATE	PROJ. NO.	FISCAL YEAR	SHEET NO.	TOTAL SHEETS
HAWAII	HAW.	83G-01-89	1989	5	6



SURVEY PLOTTED BY	DATE
DRAWN BY	
DESIGNED BY	
CHECKED BY	
ORIGINAL PLAN	
NOTE BOOK	
No.	

*NOTE: Stop signs shall be removed after the traffic signal system becomes operational.

HAROLD I. YOSHIZAKI
REGISTERED PROFESSIONAL ENGINEER
No. 2091-C
HAWAII, U.S.A.

THIS WORK WAS PREPARED BY ME OR UNDER MY SUPERVISION.
Harold I. Yoshizaki

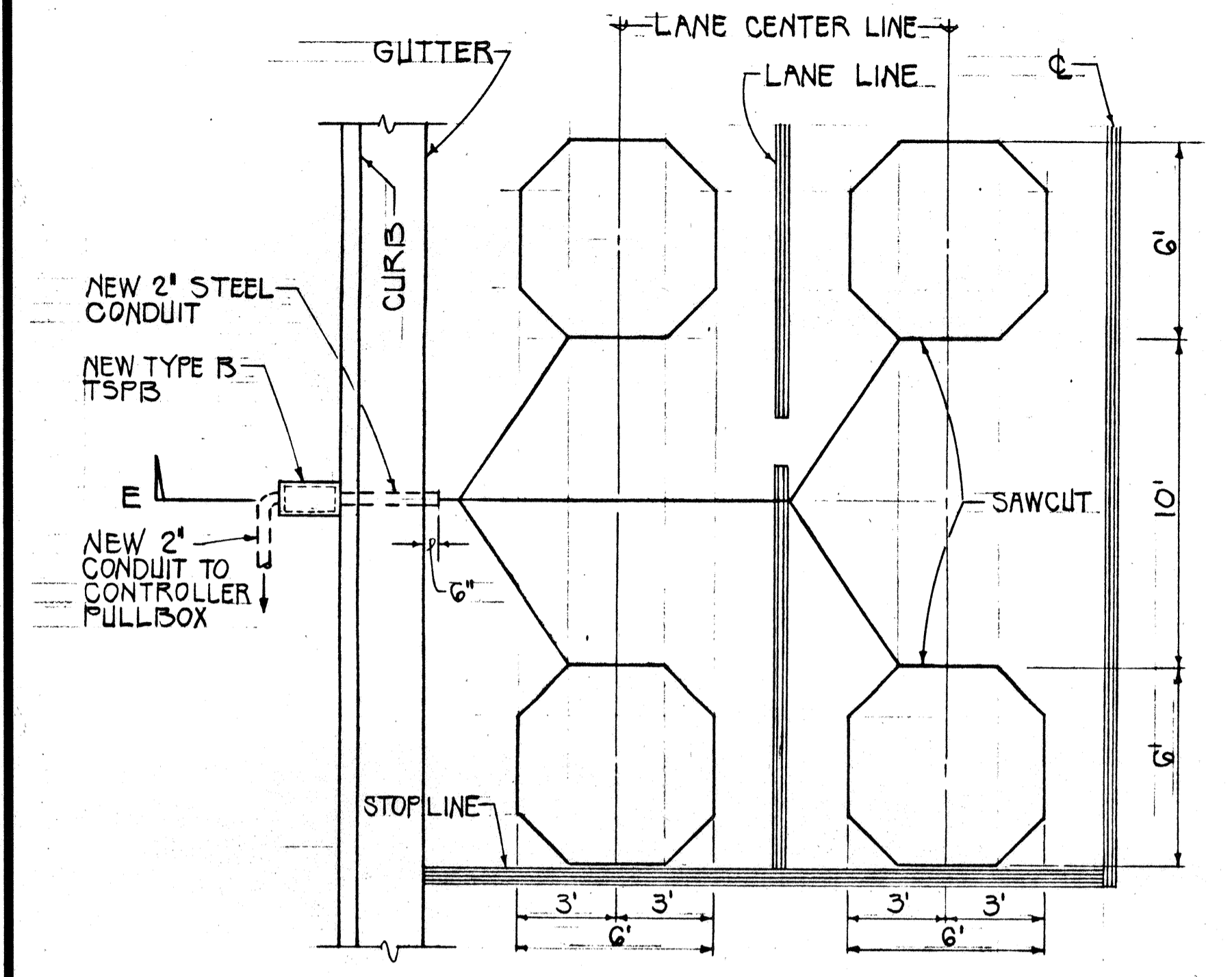
STATE OF HAWAII
DEPARTMENT OF TRANSPORTATION
HIGHWAYS DIVISION

PAVEMENT STRIPING/MARKING & SIGNING PLAN

KAMEHAMEHA HIGHWAY TRAFFIC SIGNALS AT LULUKU ROAD

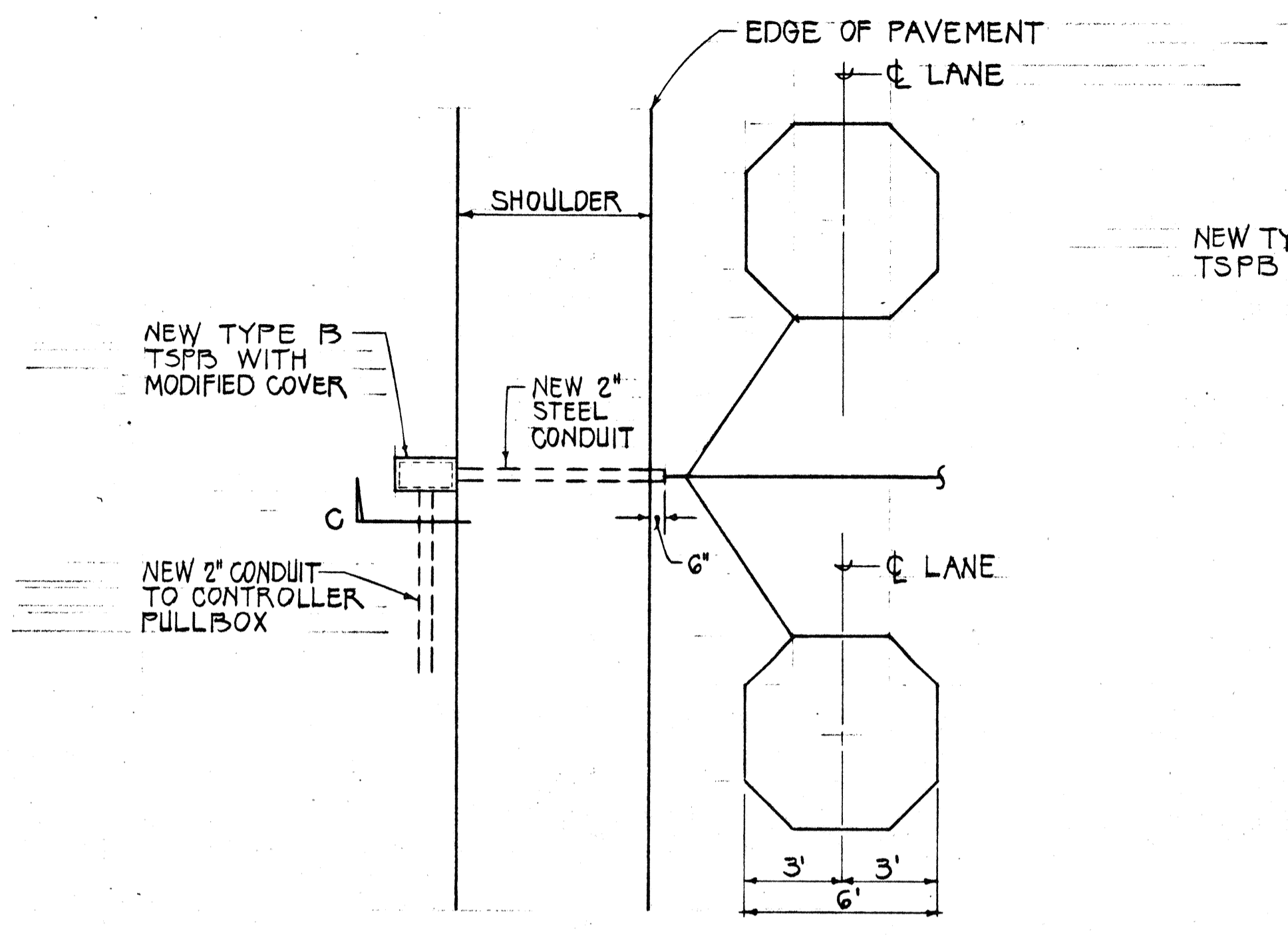
PROJECT NO. 83G-01-89
SCALE: As Noted DATE: OCT. 1988
SHEET No. 1 OF 1 SHEETS

FED. ROAD DIST. NO.	STATE	PROJ. NO.	FISCAL YEAR	SHEET NO.	TOTAL SHEETS
HAWAII	HAW.	83G-01-89	1989	6	6

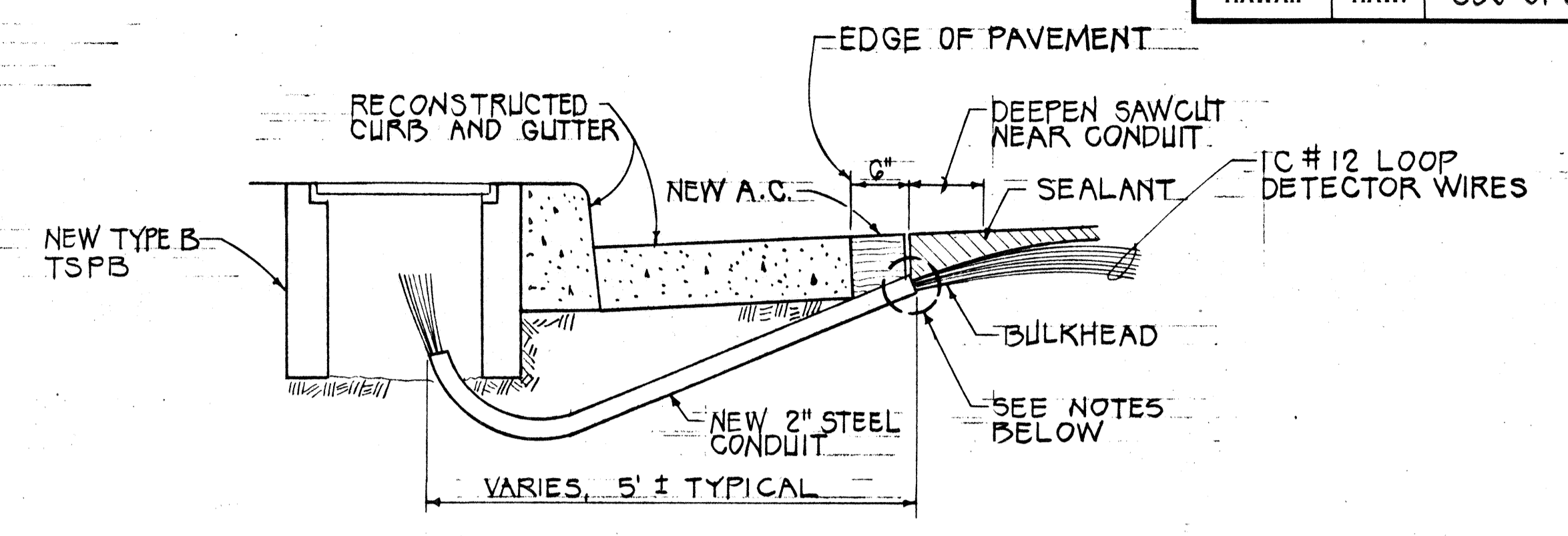


NOTE: ADD ONE PAIR OF LOOPS FOR EACH ADDITIONAL LANE

TYPICAL LAYOUT AT STOPLINES
SCALE: 1/4" = 1'-0"

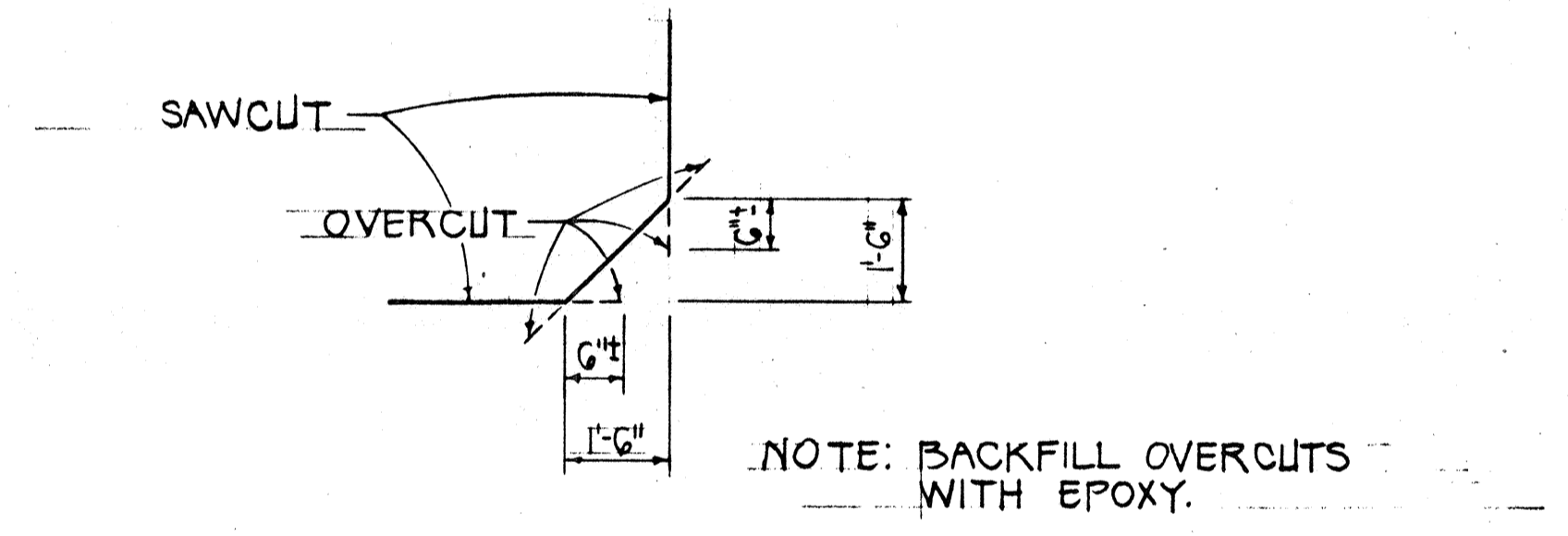


TYPICAL LAYOUT AT SHOULDER AREAS
SCALE: 1/4" = 1'-0"

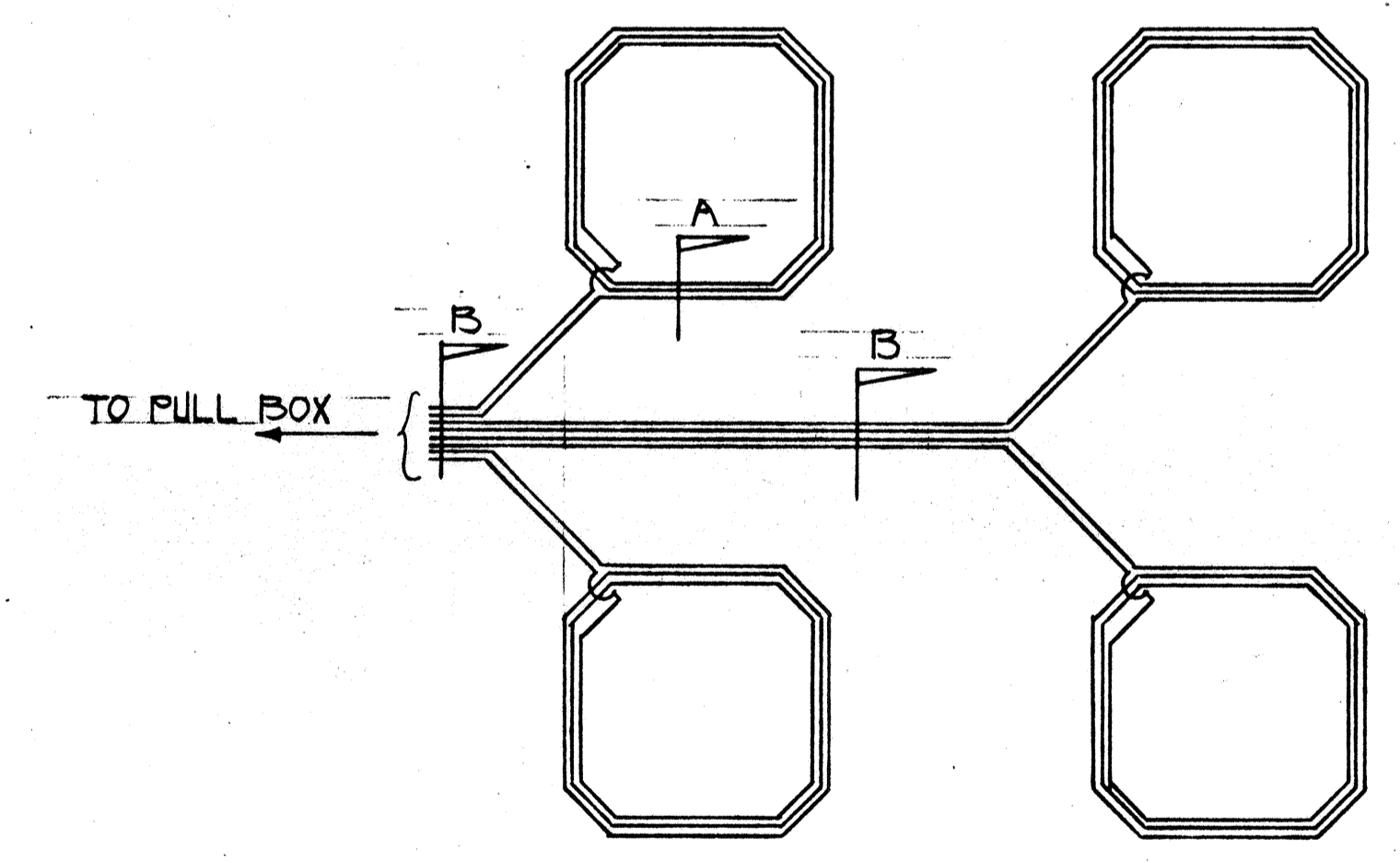


- NOTES:
1. SEAL ROADWAY END OF CONDUIT AFTER INSTALLATION OF CONDUCTORS.
 2. INSTALL BULKHEAD ACROSS CONDUIT TRENCH.
 3. PLACE APPROVED SEALANT IN SAWCUT.
 4. BACKFILL OVER CONDUIT WITH NEW A.C.
 5. RECONSTRUCT CURB AND GUTTER AS REQUIRED.

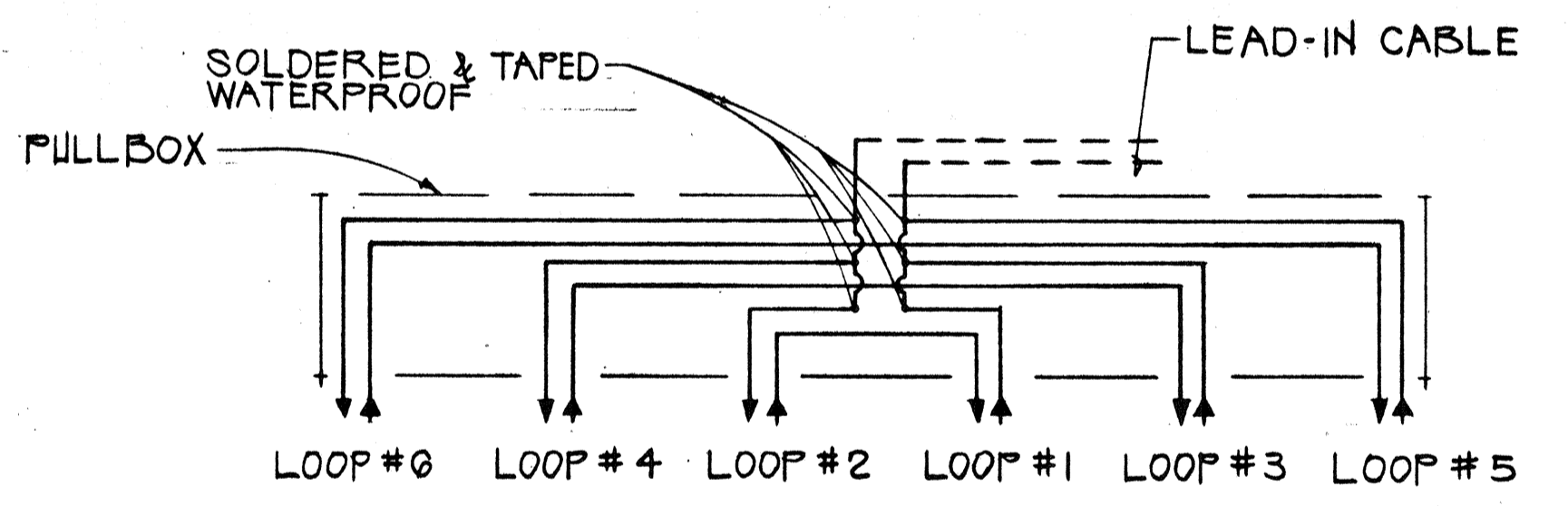
SECTION E
NOT TO SCALE



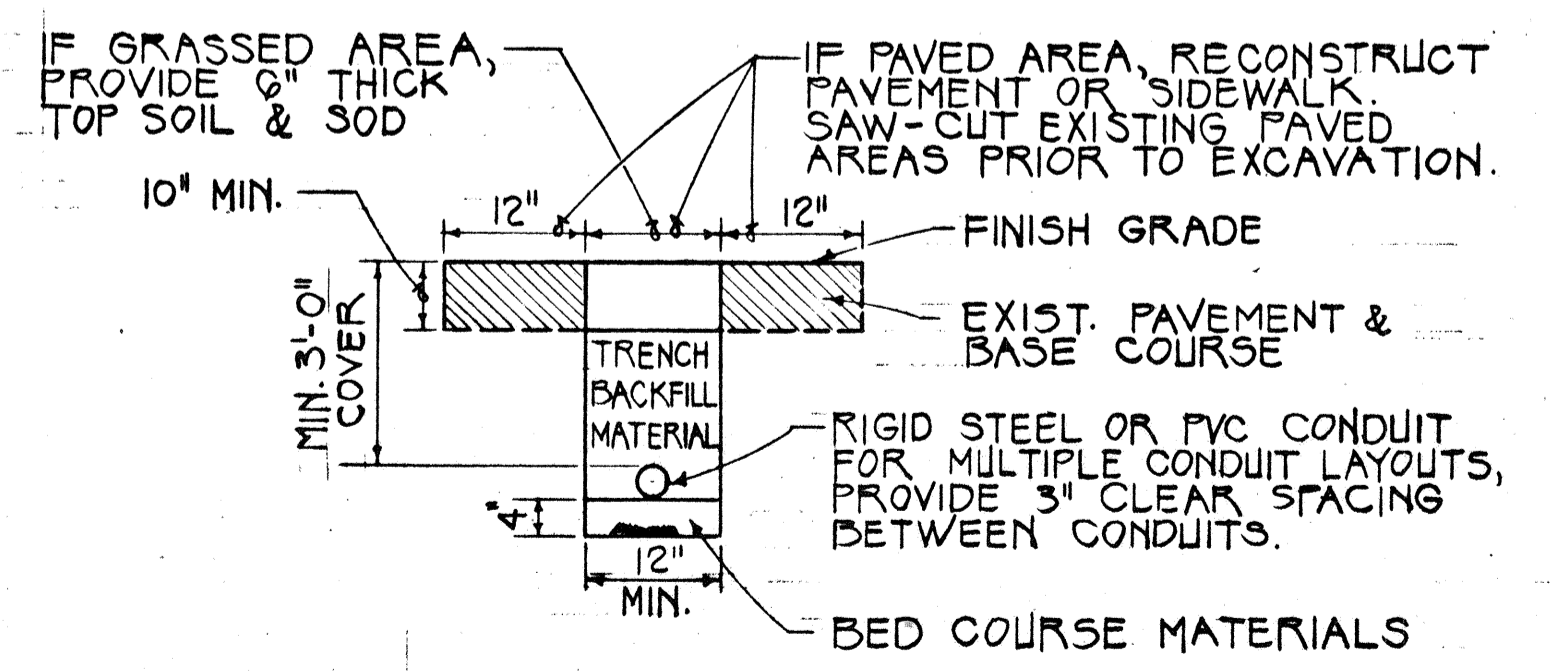
DETAIL OF SAWCUT AT CORNERS
NOT TO SCALE



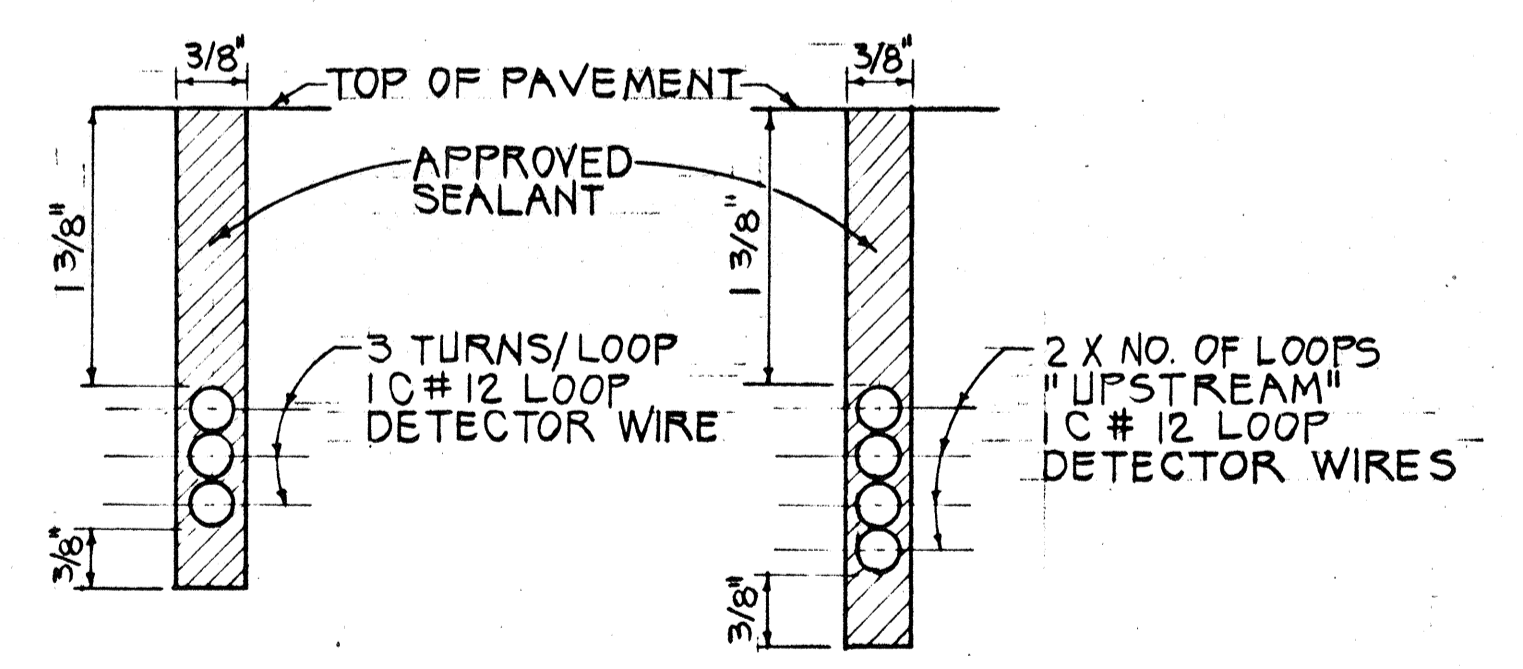
WIRING DIAGRAM
NOT TO SCALE



DETAIL "A"
TYPICAL SERIES - PARALLEL LOOP CONNECTION



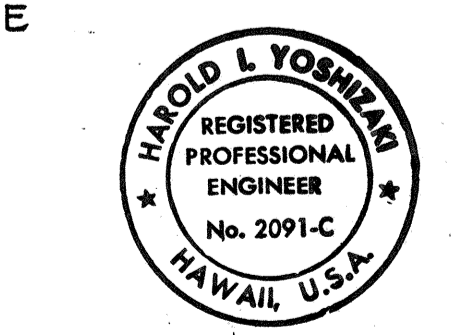
SECTION C
NOT TO SCALE
NOTE: ALL CONDUITS UNDER ROADWAYS SHALL BE STEEL OR PVC SCHEDULE 80.



SECTION A
NOT TO SCALE

SECTION B
NOT TO SCALE

SURVEY PLOTTED BY	DATE
DRAWN BY	
TRACED BY	
QUANTITIES BY	
CHECKED BY	
ORIGINAL PLAN	
NOTE BOOK	
No.	



THIS WORK WAS PREPARED BY ME OR UNDER MY SUPERVISION.
Harold L. Yoshida

STATE OF HAWAII
DEPARTMENT OF TRANSPORTATION
HIGHWAYS DIVISION

LOOP DETECTOR DETAILS

KAMEHAMEHA HIGHWAY TRAFFIC SIGNALS
AT LULUKU ROAD

PROJECT NO. 83G-01-89
SCALE: As Noted DATE: OCT. 1988
SHEET No. 1 OF 1 SHEETS