

**LEGEND**

4 each Type A Raised Pavement Markers  
Type CL Raised Pavement Markers @ 40'-0" o.c.

4 each Type J Raised Pavement Markers  
Type DL Raised Pavement Markers @ 40'-0" o.c.

8" White Stripe with Type CL Raised Pavement Markers @ 20'-0" o.c.

4" Double Solid Yellow Stripes with Type DL Raised Pavement Markers @ 20'-0" o.c.

4" Double Solid Yellow Stripes with Type HL Raised Pavement Markers @ 20'-0" o.c.

4" Yellow Edge Stripe with Type HL Raised Pavement Markers @ 40'-0" o.c.

4" Double Solid White Stripes with Type CL Raised Pavement Markers @ 20'-0" o.c.

4" or 8" Edge Stripe (Tape, Type II or Thermoplastic)

4" Guide Lines

Transverse Median Marking

Transverse Shoulder Marking (Tape, Type II or Thermoplastic)

Channelizing Island or Deceleration Lane Gore

Crosswalk and Stop Line. All Stop Lines shall be 10'-0" from Crosswalk unless otherwise noted. The circled number indicates the number of lanes for pavement (Thermoplastic).

Pavement Arrow

**STOP** Pavement Word

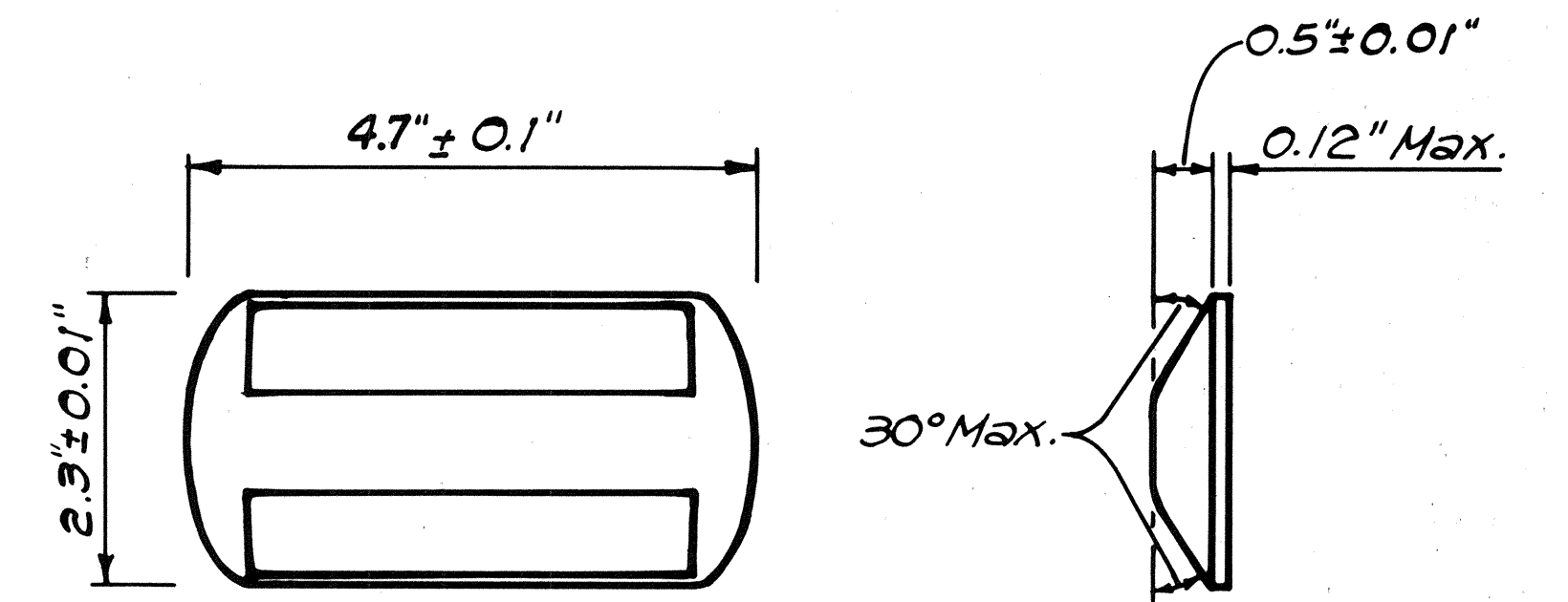
12" White Stop Line (Thermoplastic)

4 each Type J Raised Pavement Markers  
Type DL Raised Pavement Markers @ 40'-0" o.c.  
Type HL Raised Pavement Markers (Reflective Surface facing no-passing direction)  
4" Single Solid Yellow Stripe

**NOTES**

- Layout of pavement markings and striping shall be done by the Contractor and approved by the Engineer prior to any installation work.
- Existing pavement markings not incorporated in the final traffic pattern shall be removed as directed by the Engineer. Costs shall be incidental to the various pavement marking items.
- Raised pavement markers shall not be installed within crosswalks.
- Details of Type C, Type D and Type H Markers on Standard Plan Nos. TE-30, TE-31 and TE-32 shall be deleted and replaced with details of Type CL, Type DL and Type HL Markers as shown on this sheet. All references to Type C, Type D and Type H Markers in the plans shall mean Type CL, Type DL and Type HL Markers.
- Final locations of all signs shall be approved by the Engineer prior to any installation work.
- All existing signs and posts shall be removed and replaced with new signs and posts as shown on the plans or otherwise noted or directed. Removal of existing signs and posts will not be measured and paid for separately but shall be considered incidental to the various contract items.
- All pavement markings shall be performed marking tape, Type I, unless otherwise noted or shown on the plans.
- The Contractor shall install new object marker on all wooden poles without existing markers as directed by the Engineer.

FED. ROAD DIST. NO.	STATE	PROJ. NO.	FISCAL YEAR	SHEET NO.	TOTAL SHEETS
HAWAII	HAW.	930D-01-88M	1988	13	20

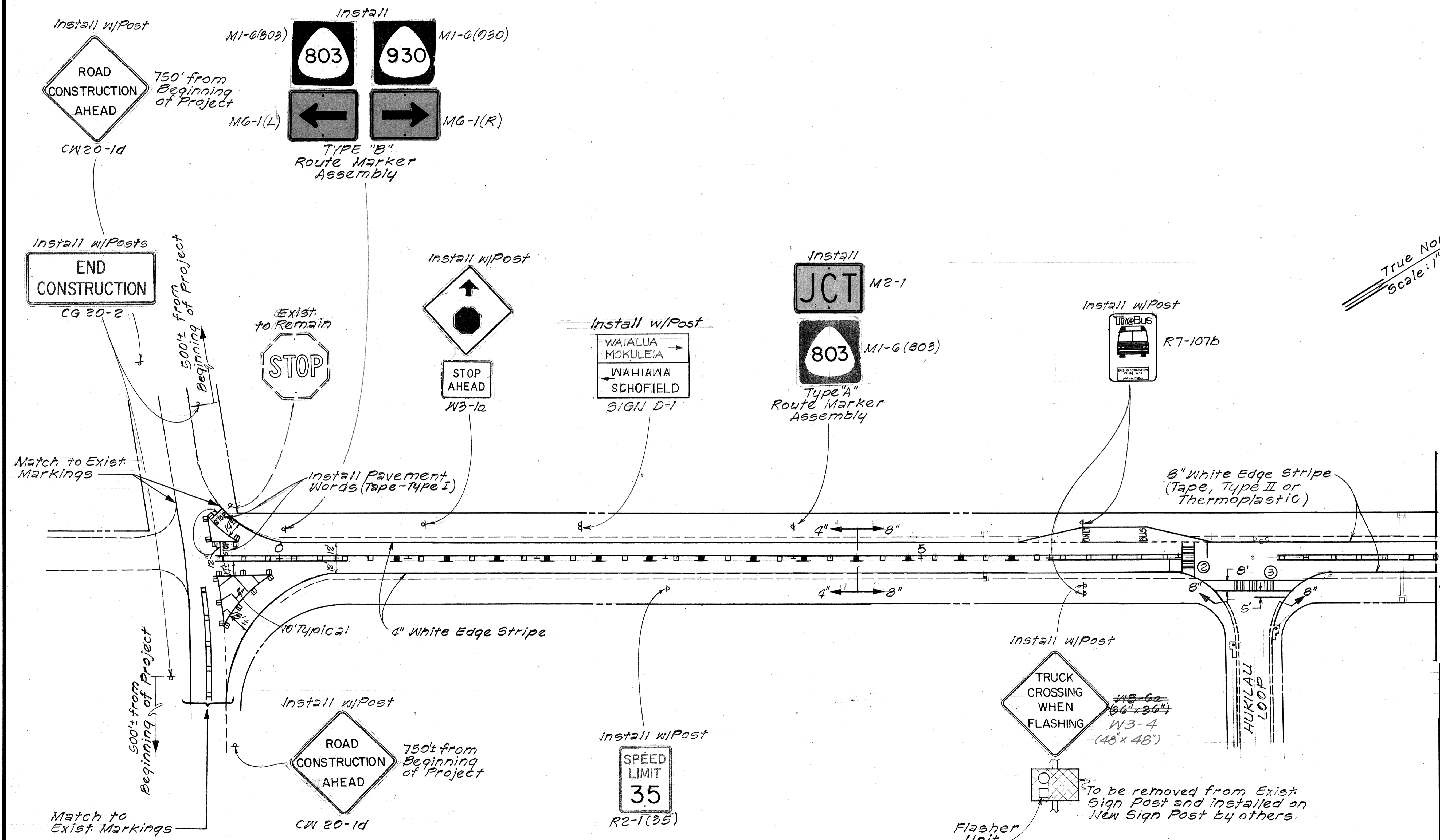


**TYPE CL**  
Red-Clear Reflective Marker  
or  
**TYPE DL**  
Two-Way Yellow Reflective Marker  
or  
**TYPE HL**  
One-Way Yellow Reflective Marker  
Not to Scale

DATE \_\_\_\_\_  
SURVEY PLOTTED BY \_\_\_\_\_  
DESIGNED BY \_\_\_\_\_  
QUANTITIES BY \_\_\_\_\_  
CHECKED BY \_\_\_\_\_  
No. \_\_\_\_\_

STATE OF HAWAII  
DEPARTMENT OF TRANSPORTATION  
HIGHWAYS DIVISION  
**TRAFFIC NOTES**  
**LEGEND & DETAIL**  
KAUKONAHUA ROAD RESURFACING  
THOMSON CORNER TO NEED JCT.  
PROJ. No. 930D-01-88M  
Scale: As Shown Date: Apr, 1988  
SHEET No. 11 OF 8 SHEETS

FED. ROAD DIST. NO.	STATE	PROJ. NO.	FISCAL YEAR	SHEET NO.	TOTAL SHEETS
HAWAII	HAW.	030D-01-88M	1988	14	20



True North  
Scale: 1" = 40'

DATE	
SURVEY PLOTTED BY	
DRIVEN BY	
DESIGNED BY	
CHECKED BY	
NO.	

DATE	REVISION
5/16/88	Revised Sign D-1

STATE OF HAWAII  
DEPARTMENT OF TRANSPORTATION  
HIGHWAYS DIVISION

**SIGNING & PAVEMENT MARKING PLAN**

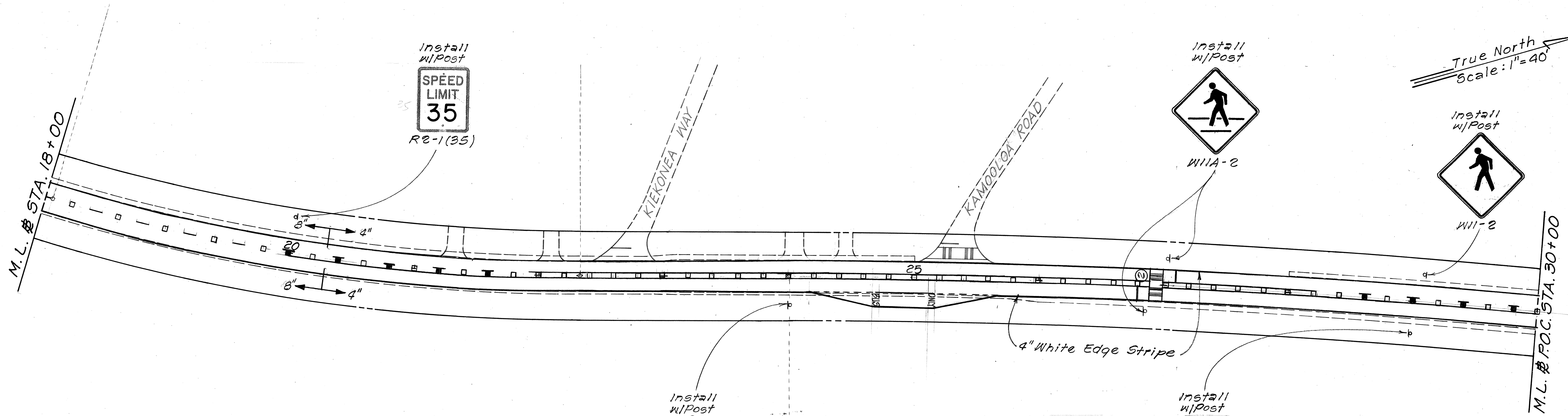
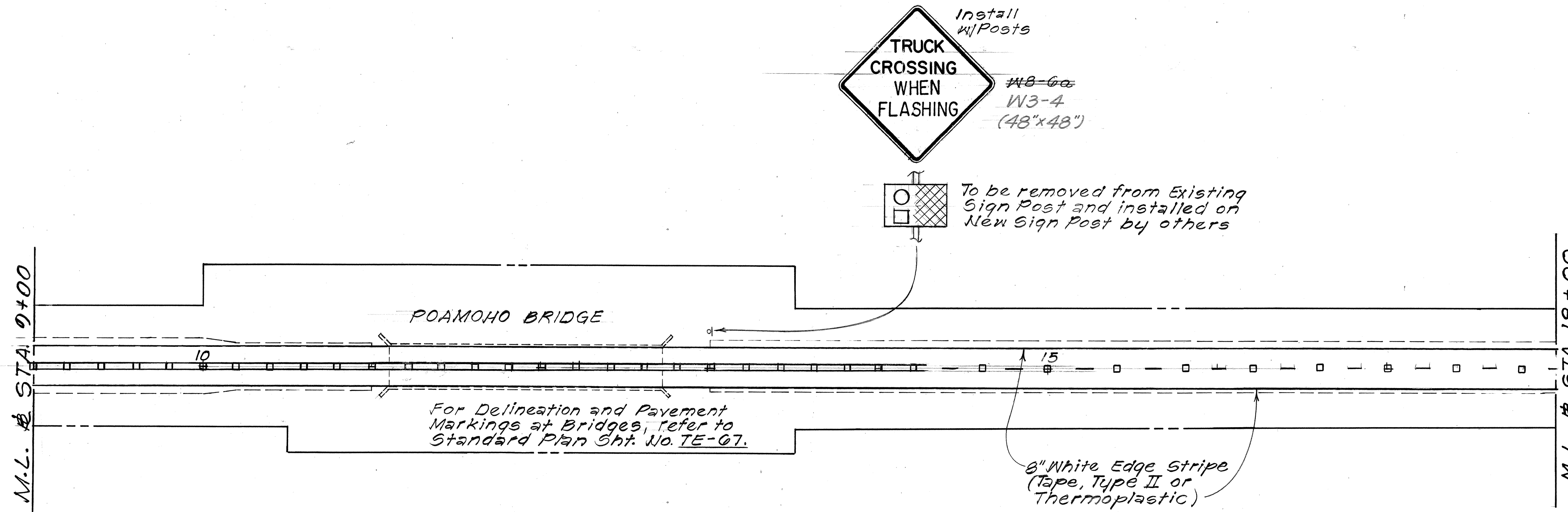
KALKONAHUA ROAD RESURFACING  
THOMSON CORNER TO WEEED JCT.  
PROJ. No. 030D-01-88M

Scale: 1" = 40' Date: Mar., 1988

SHEET No. 72 OF 8 SHEETS

FED. ROAD DIST. NO.	STATE	PROJ. NO.	FISCAL YEAR	SHEET NO.	TOTAL SHEETS
HAWAII	HAW.	030D-01-88M	1988	15	20

True North  
Scale: 1"=40'

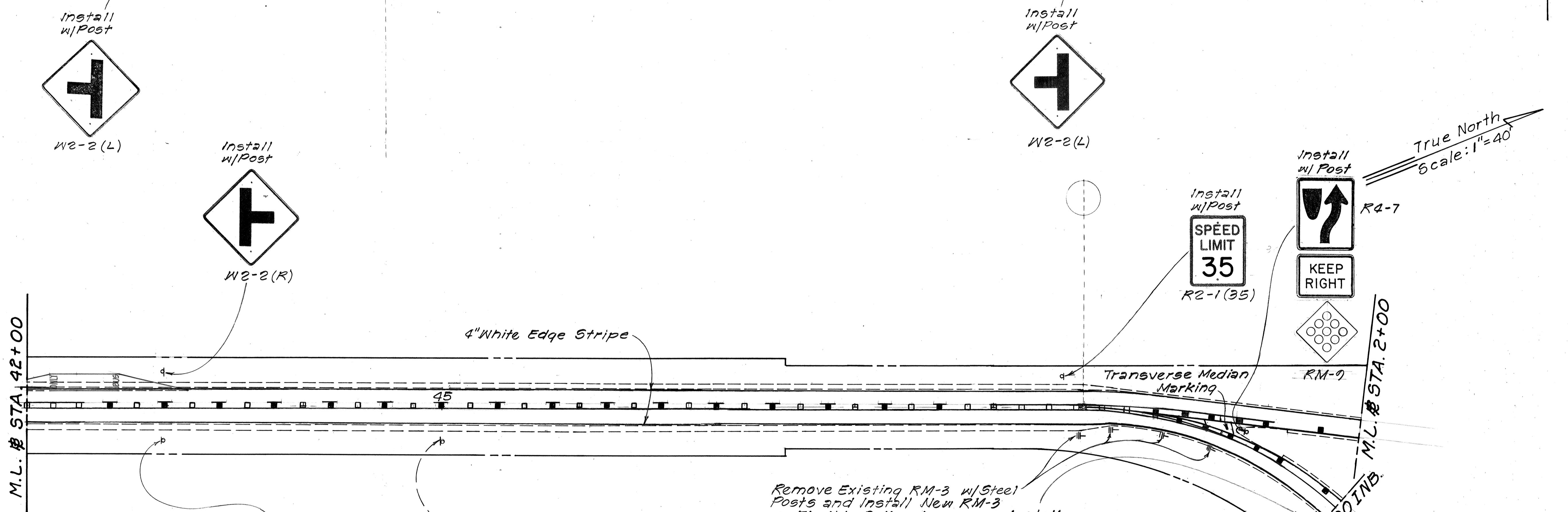
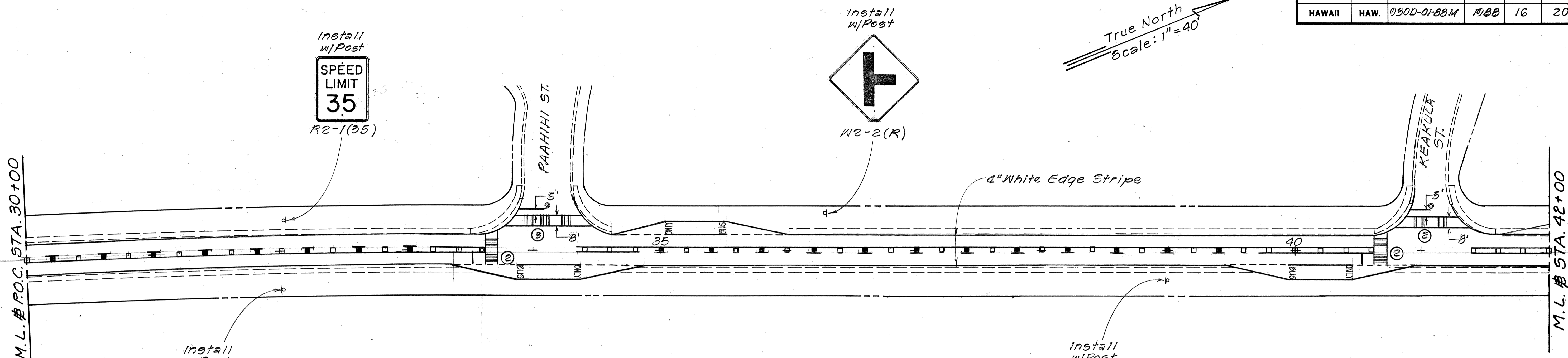


True North  
Scale: 1"=40'

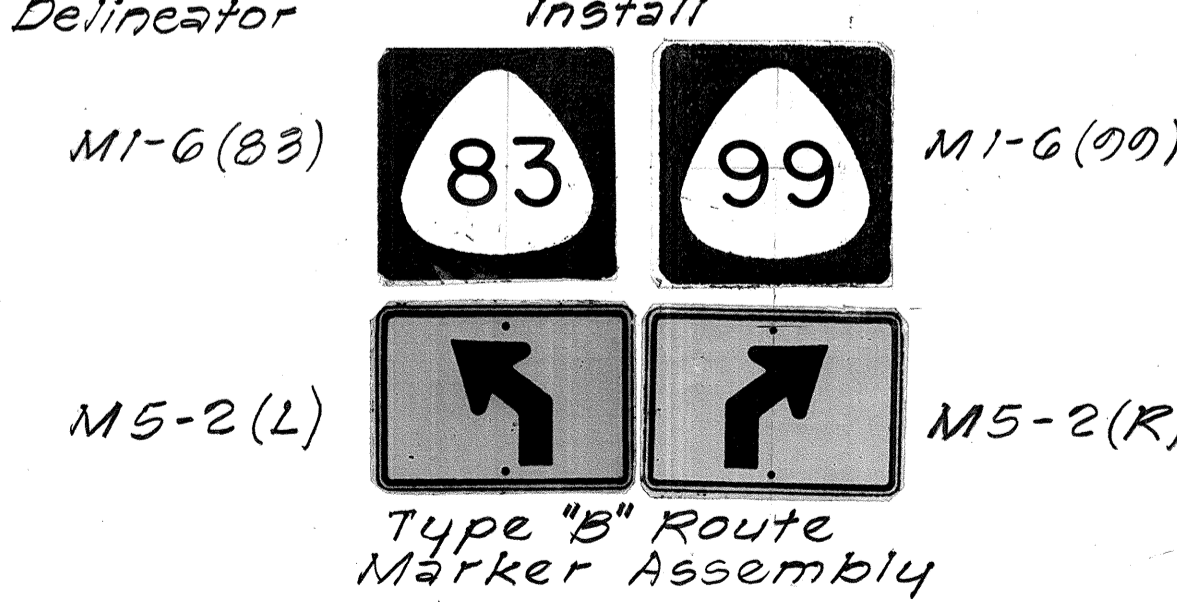
SURVEY PLOTTED BY	DATE
DRAWN BY	
TRACED BY	
QUANTITIES BY	
CHECKED BY	
ORIGINAL PLAN	
NOTE BOOK	
NO.	

STATE OF HAWAII  
DEPARTMENT OF TRANSPORTATION  
HIGHWAYS DIVISION  
**SIGNING & PAVEMENT MARKING PLAN**  
KAUKONAHUA ROAD RESURFACING  
THOMSON CORNER TO WEED JCT.  
PROJ. No. 030D-01-88M  
Scale: 1"=40' Date: Mar., 1988  
SHEET No. 73 OF 8 SHEETS

FED. ROAD DIST. NO.	STATE	PROJ. NO.	FISCAL YEAR	SHEET NO.	TOTAL SHEETS
HAWAII	HAW.	930D-01-88M	1988	16	20



Remove Existing RM-3 w/ Steel Posts and Install New RM-3 on Flexible Delineator Posts



Existing Sign  
CAUTION  
ROTARY AHEAD  
KEEP RIGHT  
to Remain

Install w/Post R2-1(35) SPEED LIMIT 35

DATE	
SURVEY PLOTTED BY	
DRAWN BY	
TRACED BY	
QUANTITIES BY	
CHECKED BY	
NO.	

STATE OF HAWAII  
DEPARTMENT OF TRANSPORTATION  
HIGHWAYS DIVISION

**SIGNING & PAVEMENT MARKING PLAN**

KAUKONAHUA ROAD RESURFACING  
THOMSON CORNER TO WEEED JCT.  
PROJ. No. 930D-01-88M

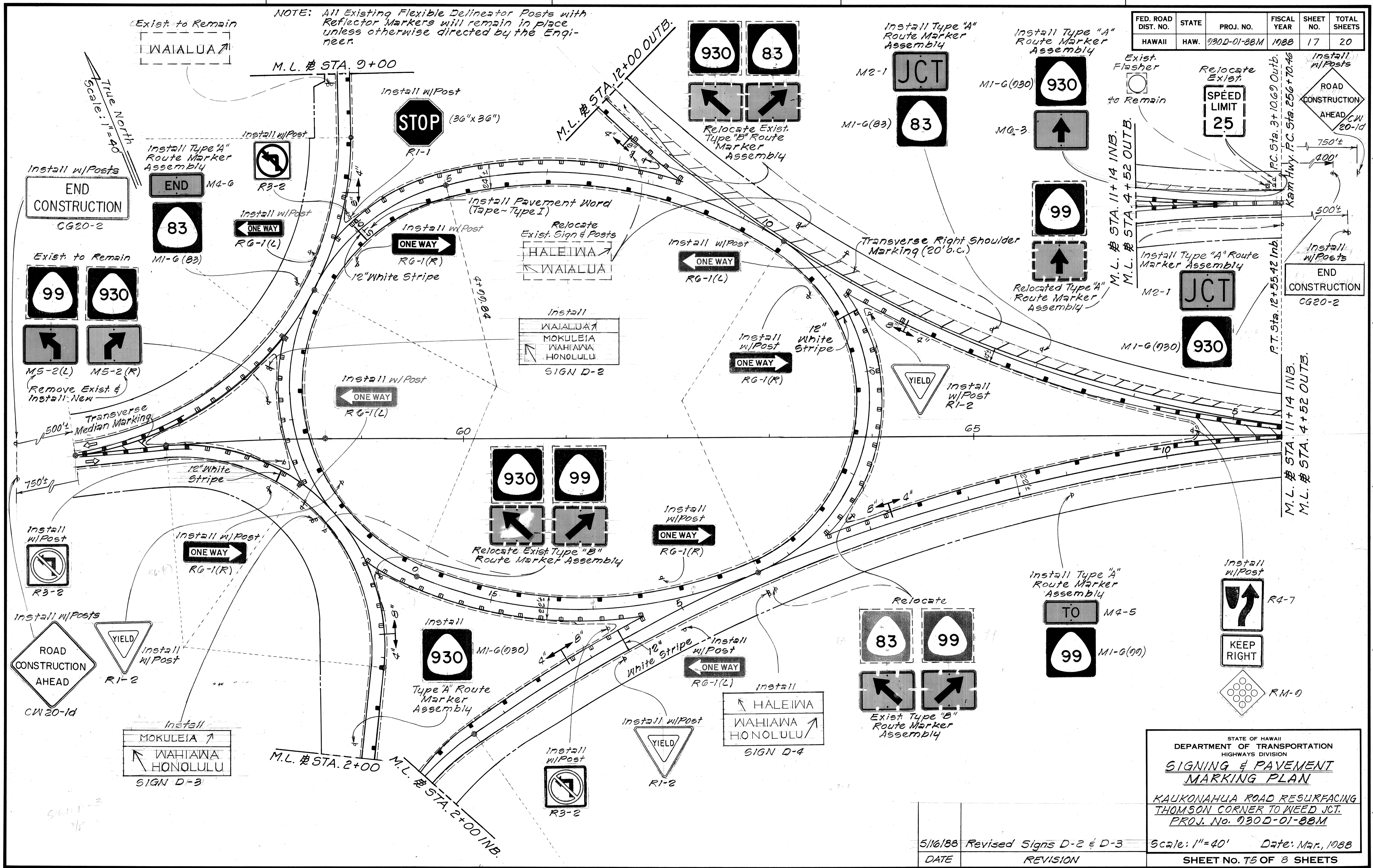
Scale: 1"=40' Date: Mar, 1988

SHEET No. 74 OF 8 SHEETS

FED. ROAD DIST. NO.	STATE	PROJ. NO.	FISCAL YEAR	SHEET NO.	TOTAL SHEETS
HAWAII	HAW.	090D-01-88M	1988	17	20

NOTE: All Existing Flexible Delineator Posts with Reflector Markers will remain in place unless otherwise directed by the Engineer.

Exist. to Remain  
WAIALUA



DATE	_____
DESIGNED BY	_____
DRAWN BY	_____
CHECKED BY	_____
ORIGINAL PLAN	_____
NOTE BOOK	_____
QUANTITIES BY	_____
CHECKED BY	_____

STATE OF HAWAII  
DEPARTMENT OF TRANSPORTATION  
HIGHWAYS DIVISION

**SIGNING & PAVEMENT MARKING PLAN**

KAUKONAHUA ROAD RESURFACING  
THOMSON CORNER TO WEEB JCT.  
PROJ. No. 090D-01-88M

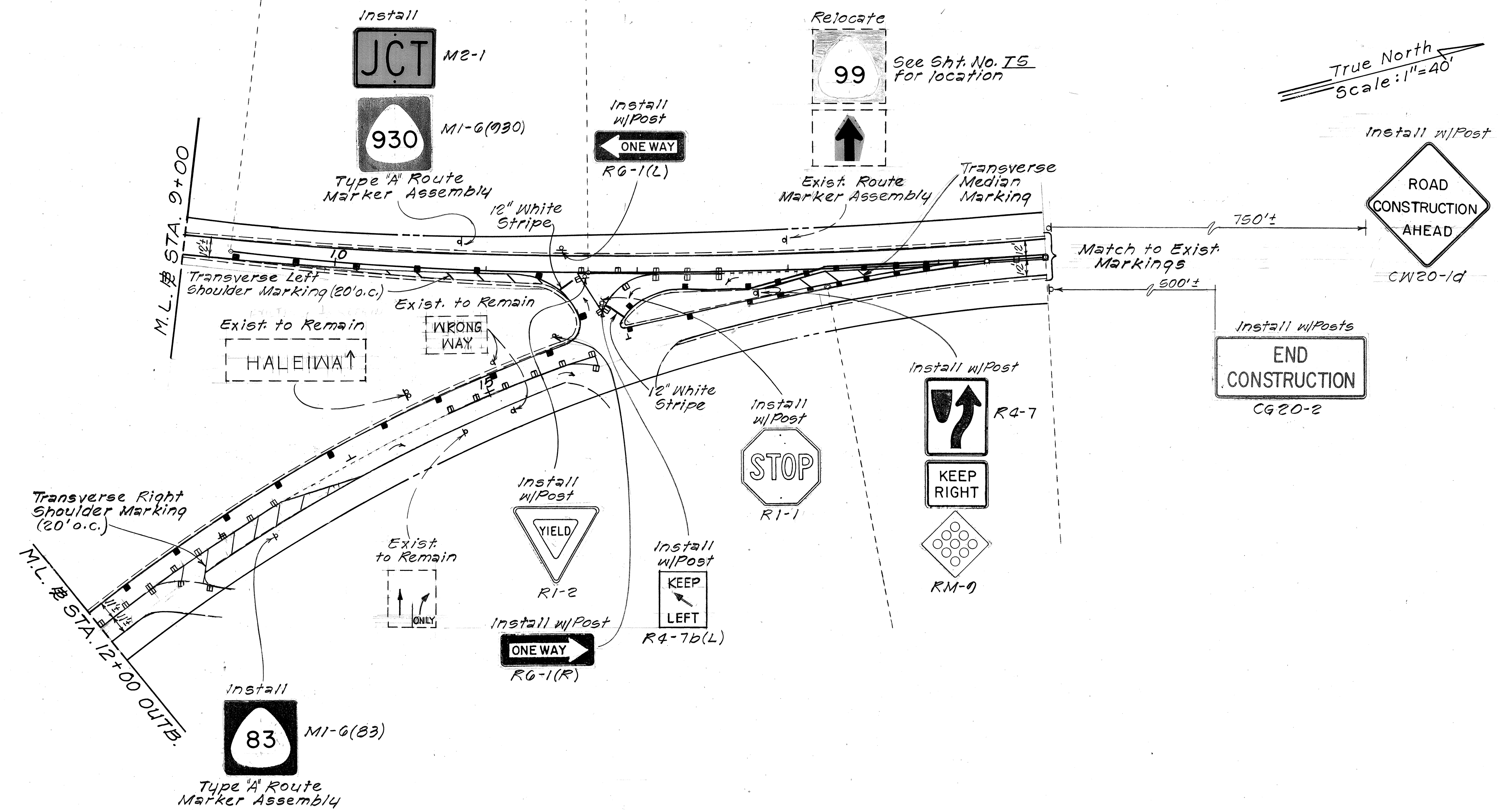
5/16/88 Revised Signs D-2 & D-3  
DATE REVISION

Scale: 1"=40' Date: Mar., 1988  
SHEET No. 17 OF 8 SHEETS

ADD. 17

FED. ROAD DIST. NO.	STATE	PROJ. NO.	FISCAL YEAR	SHEET NO.	TOTAL SHEETS
HAWAII	HAW.	930D-01-88M	1988	18	20

True North  
Scale: 1"=40'



SURVEY PLOTTED BY	DATE
DRAWN BY	
DESIGNED BY	
CHECKED BY	
ORIGINAL PLAN	
NOTE BOOK	
NO.	

STATE OF HAWAII  
DEPARTMENT OF TRANSPORTATION  
HIGHWAYS DIVISION  
**SIGNING & PAVEMENT MARKING PLAN**  
KAUKONAHUA ROAD RESURFACING  
THOMSON CORNER TO WEEED JCT.  
PROJ. No. 930D-01-88M  
Scale: 1"=40' Date: Mar, 1988  
SHEET No. 76 OF 8 SHEETS