

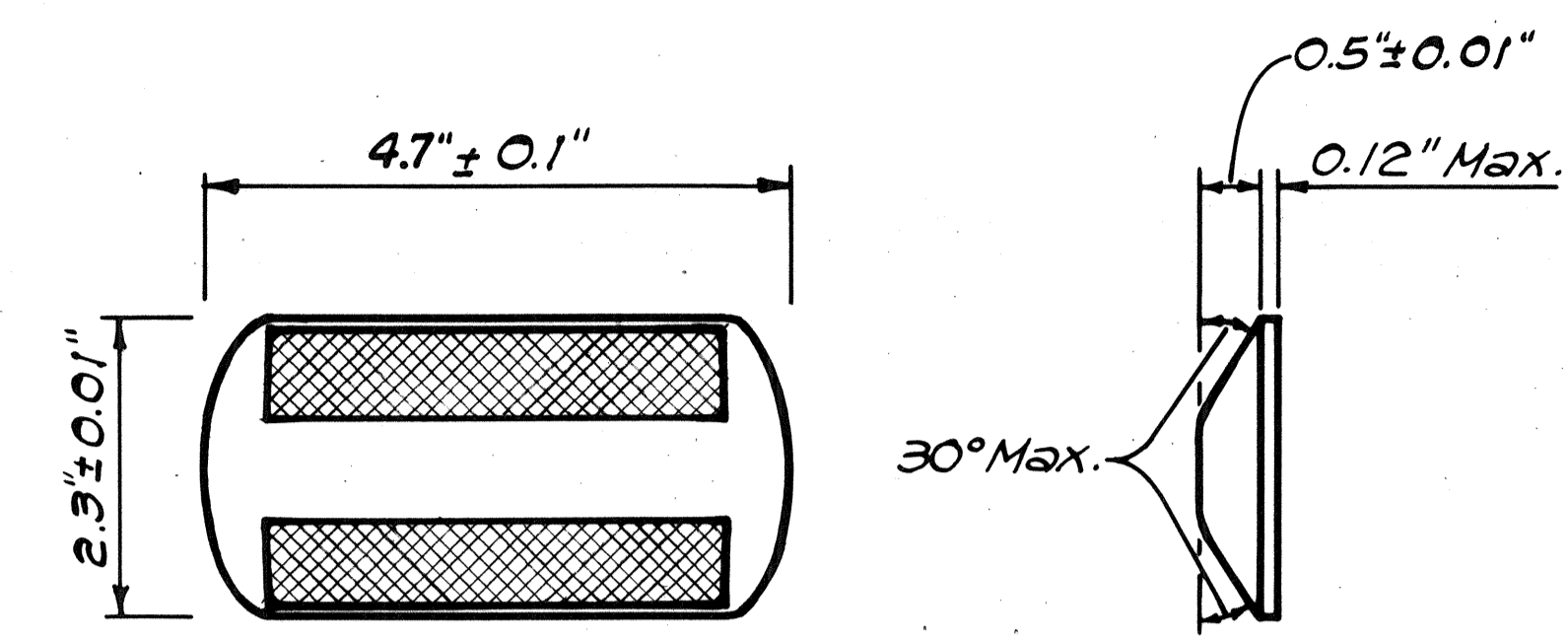
FED. ROAD DIST. NO.	STATE	PROJ. NO.	FISCAL YEAR	SHEET NO.	TOTAL SHEETS
HAWAII	HAW.	83F-01-88M	1988	8	11

### LEGEND

- 4 each Type A Raised Pavement Markers  
Type CL Raised Pavement Markers @ 40'-0" o.c.
- 4 each Type J Raised Pavement Markers  
Type DL Raised Pavement Markers @ 40'-0" o.c.
- 8" White Stripe with Type CL Raised Pavement Markers @ 20'-0" o.c.
- 4" Double Solid Yellow Stripes with Type DL Raised Pavement Markers @ 20'-0" o.c.
- 4" Double Solid White Stripes with Type CL Raised Pavement Markers @ 20'-0" o.c.
- 4" Yellow Edge Stripe with Type HL Raised Pavement Markers @ 40'-0" o.c.
- Extension of Edge Line  
Type CL Raised Pavement Markers @ 40'-0" O.C.  
4" White Stripe, 2'-0" Long @ 10'-0" O.C.
- Lane Change Restriction Marking  
4 each Type A Raised Pavement Markers  
Type CL Raised Pavement Markers @ 20'-0" o.c.  
4" White Stripe
- 4" White Edge Stripe
- 4" Guide Lines (Color as specified on plans)
- Transverse Median Marking
- Transverse Shoulder Marking
- Channelizing Island or Deceleration Lane Gore
- Crosswalk and Stop Line. All Stop Lines shall be 10'-0" from Crosswalk unless otherwise noted. The circled number indicates the number of lanes for pavement.
- Pavement Arrow
- STOP Pavement Word
- Passing Prohibited Zone  
4" Yellow Stripe  
4 Each Type U Raised Pavement Markers  
Type HL Raised Pavement Markers @ 40'-0" O.C.  
Type DL Raised Pavement Markers @ 40'-0" O.C.
- New Vehicle Loop Detectors  
Number of Loops - as shown on plans

### NOTES

1. Layout of pavement markings and striping shall be done by the Contractor and approved by the Engineer prior to any installation work.
2. Existing pavement markings not incorporated in the final traffic pattern shall be removed as directed by the Engineer. Costs shall be incidental to the various pavement marking items.
3. Raised pavement markers shall not be installed within crosswalks.
4. Details of Type C, Type D and Type H Markers on Standard Plan Nos. TE-30, TE-31 and TE-32 shall be deleted and replaced with details of Type CL, Type DL and Type HL Markers as shown on this sheet. All references to Type C, Type D and Type H Markers in the plans shall mean Type CL, Type DL and Type HL Markers.
5. Final locations of all signs shall be approved by the Engineer prior to any installation work.
6. All existing signs and posts shall remain in-place unless otherwise noted on the plans or directed by the Engineer. Removal and disposition of the existing signs and posts will not be paid for separately, but shall be considered incidental to the various contract items.
7. All crosswalk markings, 12" stop lines and 4" guide lines shall be thermoplastic extrusion. The Contractor shall have the option to install thermoplastic extrusion or Tape, Type II for the 4" White edge stripe. All other pavement markings shall be Tape - Type I.
8. The contractor shall splice the new vehicle loops to the existing loop lead-in cables at the existing traffic signal pullbox (TSPB).



TYPE CL  
Red-Clear Reflective Marker  
or  
TYPE DL  
Two-Way Yellow Reflective Marker  
or  
TYPE HL  
One-Way Yellow Reflective Marker  
Not to Scale

SURVEY PLOTTED BY	DATE
DRAWN BY	
TRACED BY	
QUANTITIES BY	
CHECKED BY	
ORIGINAL PLAN	
NOTE BOOK	
No.	

STATE OF HAWAII  
DEPARTMENT OF TRANSPORTATION  
HIGHWAYS DIVISION

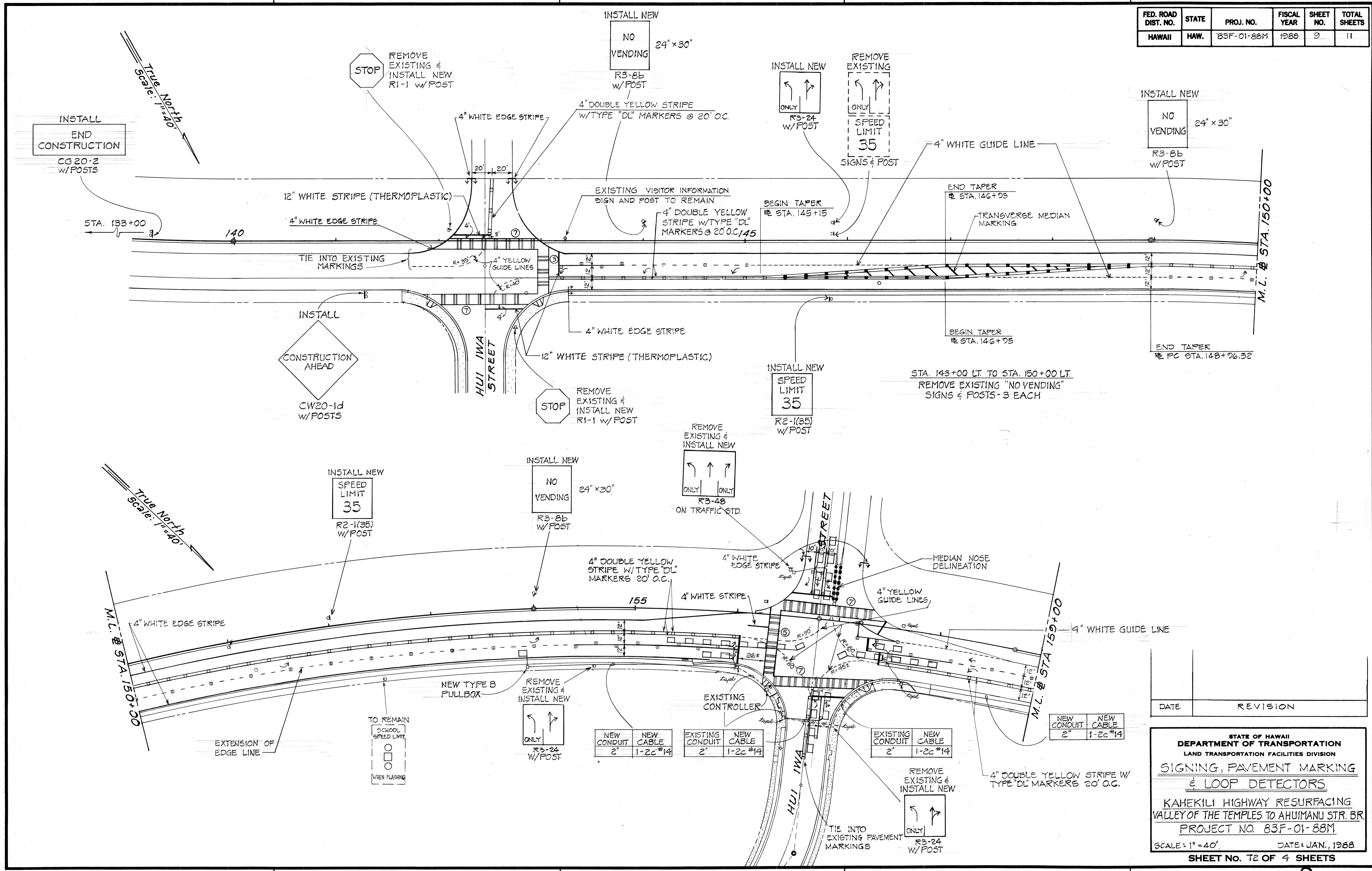
**TRAFFIC NOTES**  
**LEGEND & DETAIL**

KAHEKILI HIGHWAY RESURFACING  
VALLEY OF THE TEMPLES TO AHUIMANU STR. BR.  
PROJECT NO. 83F-01-88M

SCALE: AS SHOWN      DATE: JAN., 1988

SHEET NO. 7 OF 4 SHEETS

FED. ROAD DIST. NO.	STATE	PROJ. NO.	FISCAL YEAR	SHEET NO.	TOTAL SHEETS
HAWAII	HAW.	83F-01-88M	1988	9	11



DATE	
SURVEY PLOTTED BY	
DRAWN BY	
TRACED BY	
DESIGNED BY	
QUANTITIES BY	
CHECKED BY	
ORIGINAL PLAN	
NOTE BOOK	
No.	

DATE	REVISION

STATE OF HAWAII  
DEPARTMENT OF TRANSPORTATION  
LAND TRANSPORTATION FACILITIES DIVISION

**SIGNING, PAVEMENT MARKING  
& LOOP DETECTORS**

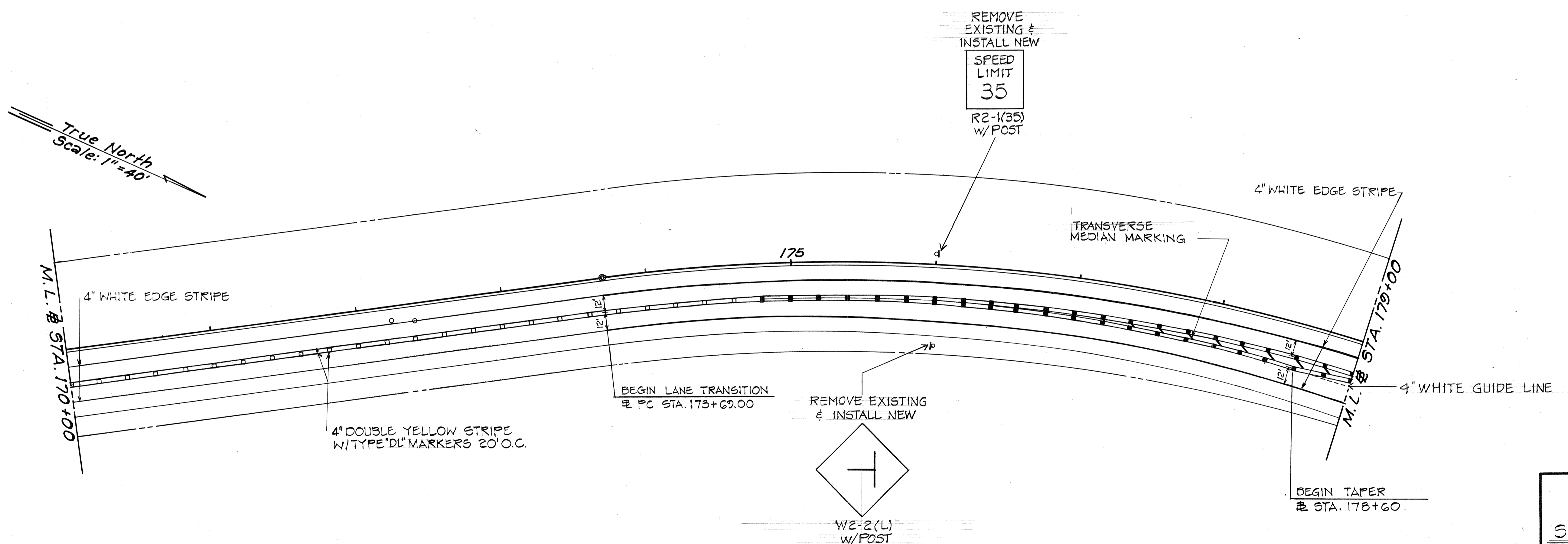
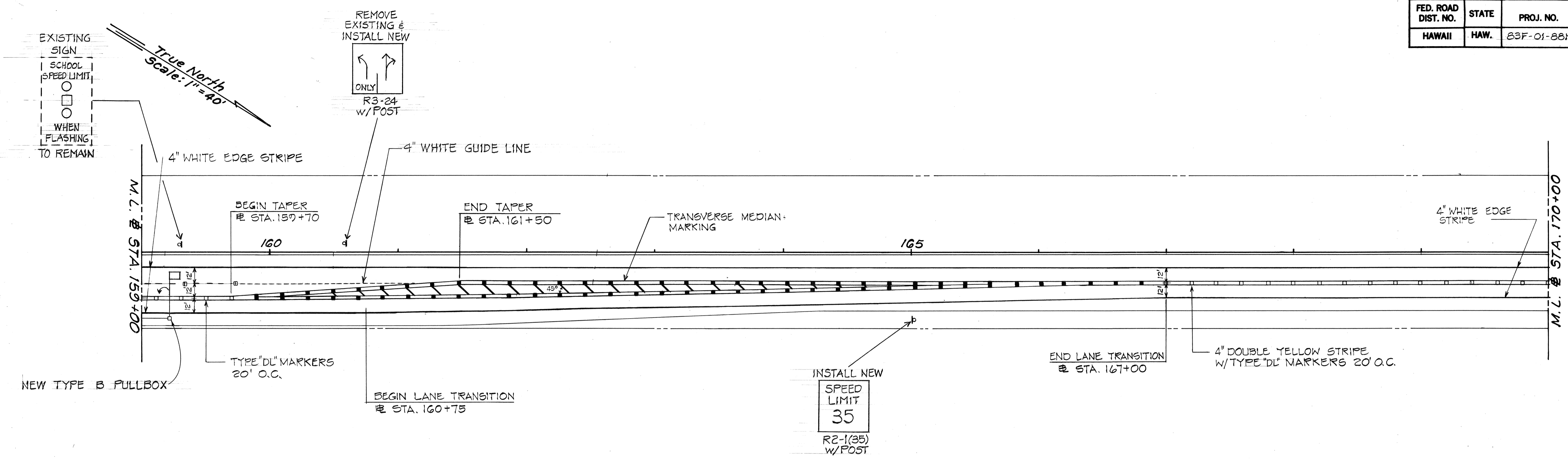
KAHEKILI HIGHWAY RESURFACING  
VALLEY OF THE TEMPLES TO AHUIMANU STR. BR.  
PROJECT NO. 83F-01-88M

SCALE: 1" = 40'      DATE: JAN., 1988

**SHEET No. T2 OF 4 SHEETS**

DD-B-8-10

FED. ROAD DIST. NO.	STATE	PROJ. NO.	FISCAL YEAR	SHEET NO.	TOTAL SHEETS
HAWAII	HAW.	83F-01-88M	1988	10	11



SURVEY PLOTTED BY	DATE
DRAWN BY	
DESIGNED BY	
QUANTITIES BY	
CHECKED BY	
ORIGINAL PLAN	
NOTE BOOK	
No.	

STATE OF HAWAII  
DEPARTMENT OF TRANSPORTATION  
LAND TRANSPORTATION FACILITIES DIVISION  
SIGNING, PAVEMENT MARKING  
KAHEKILI HIGHWAY RESURFACING  
VALLEY OF THE TEMPLES TO AHUIMANU STR. BR.  
PROJECT NO. 83F-01-88M  
SCALE: 1" = 40' DATE: JAN., 1988  
SHEET NO. T3 OF 4 SHEETS

