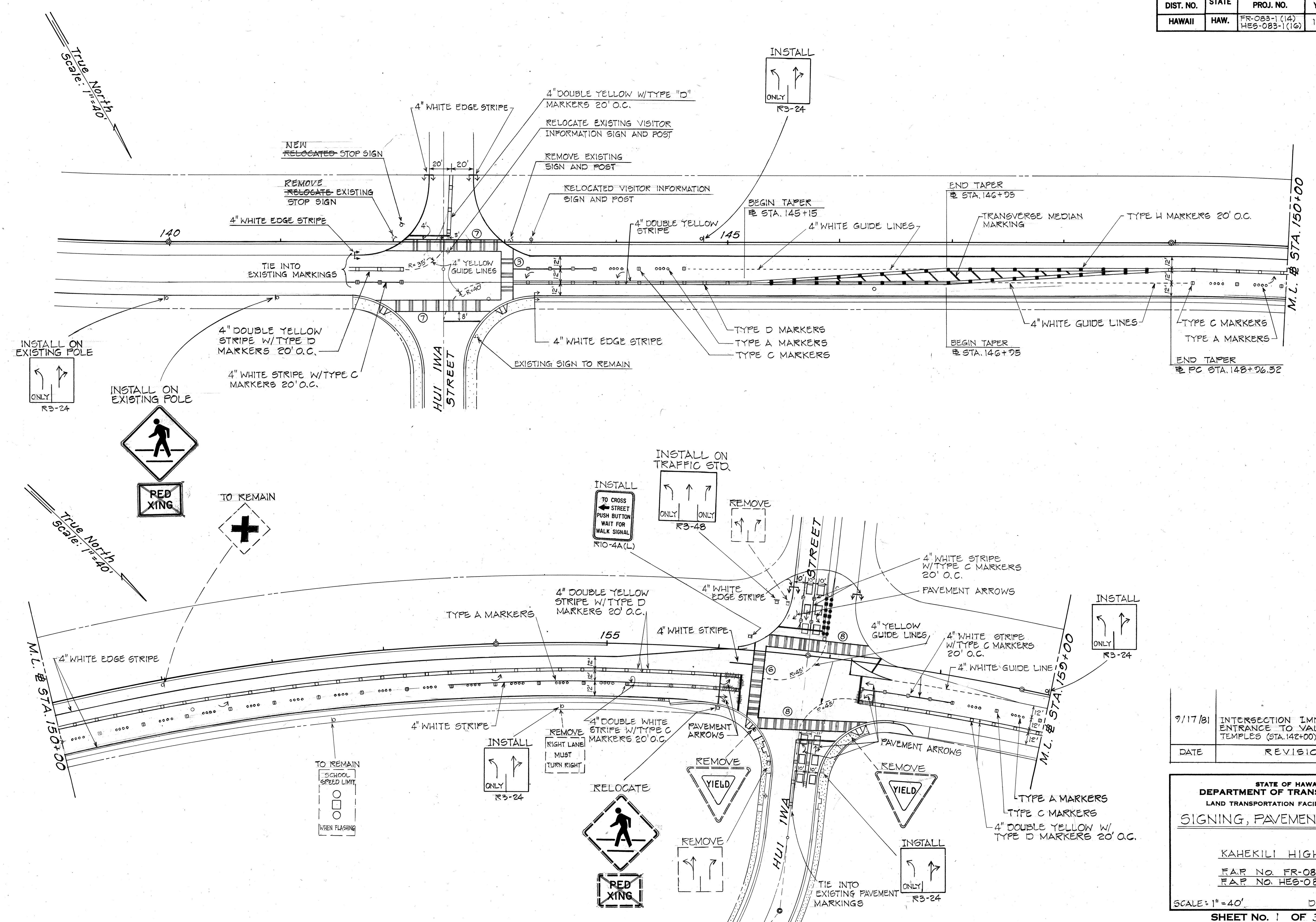


FED. ROAD DIST. NO.	STATE	FED. AID PROJ. NO.	FISCAL YEAR	SHEET NO.	TOTAL SHEETS
HAWAII	HAW.	FR-083-1(14) HEG-083-1(16)	1981	15	30



DATE
SURVEY PLOTTED BY
TRACED BY
DESIGNED BY
NOTE BOOK
QUANTITIES BY
CHECKED BY
No.

9/17/81	INTERSECTION IMPROVEMENTS AT ENTRANCE TO VALLEY OF THE TEMPLES (STA. 142+00). ALSO REVISE SIGNING
DATE	REVISION

STATE OF HAWAII
DEPARTMENT OF TRANSPORTATION
LAND TRANSPORTATION FACILITIES DIVISION

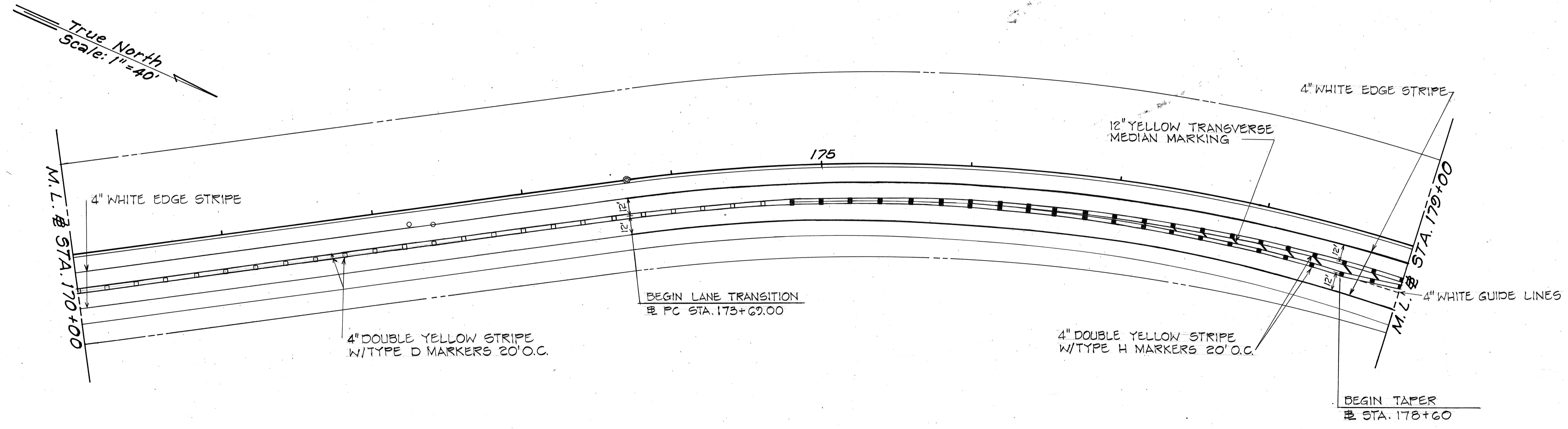
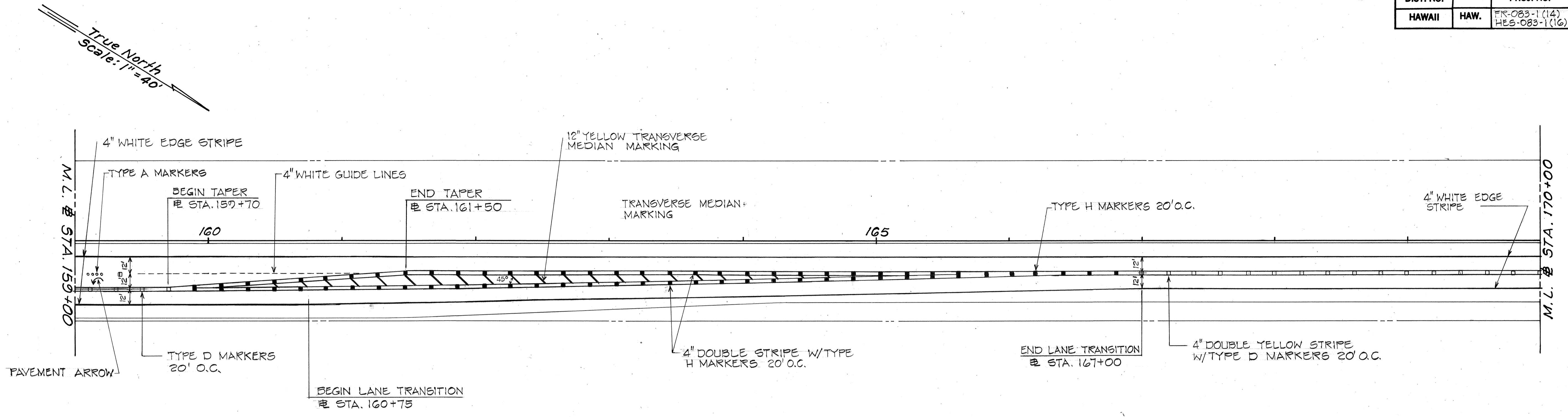
SIGNING, PAVEMENT MARKING

KAHEKILI HIGHWAY
F.A.P. NO. FR-083-1(14)
R.A.P. NO. HEG-083-1(16)

SCALE: 1" = 40' DATE: APRIL, 1981
SHEET NO. 1 OF 3 SHEETS

C 0 15

FED. ROAD DIST. NO.	STATE	FED. AID PROJ. NO.	FISCAL YEAR	SHEET NO.	TOTAL SHEETS
HAWAII	HAW.	FR-083-1(14) HES-083-1(16)	1981	16	30



DATE	_____
SURVEY PLOTTED BY	_____
DRAWN BY	_____
DESIGNED BY	_____
QUANTITIES BY	_____
CHECKED BY	_____
ORIGINAL PLAN	_____
NOTE BOOK	_____
No.	_____

STATE OF HAWAII
DEPARTMENT OF TRANSPORTATION
LAND TRANSPORTATION FACILITIES DIVISION

SIGNING, PAVEMENT MARKING

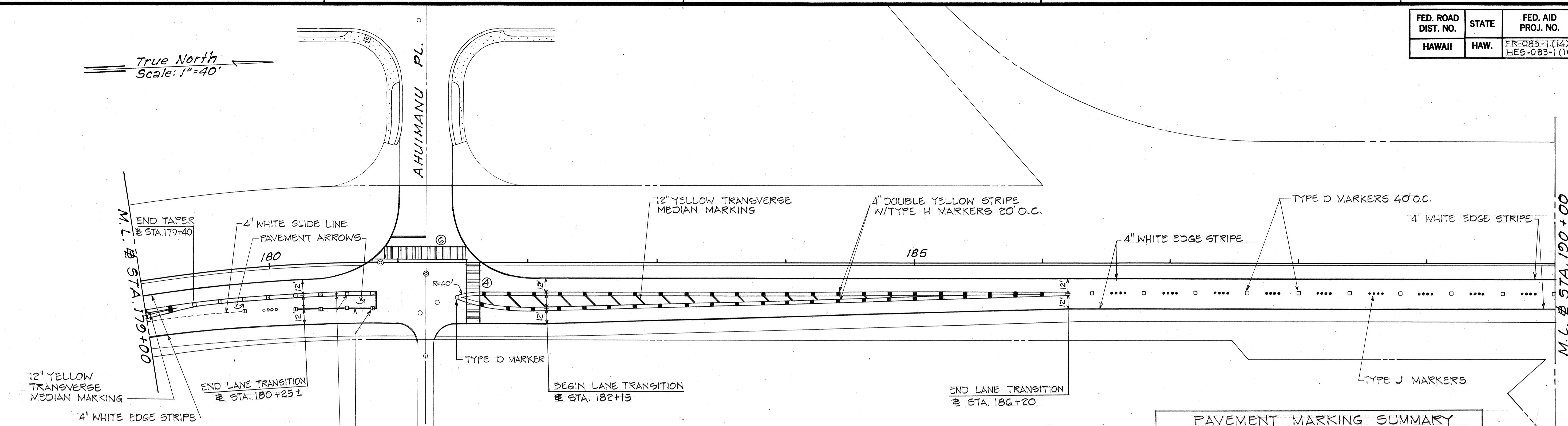
KAHEKILI HIGHWAY

F.A.P. No. FR-083-1(14)
F.A.P. No. HES-083-1(16)

SCALE: 1"=40' DATE: APRIL, 1981

SHEET No. 2 OF 3 SHEETS

FED. ROAD DIST. NO.	STATE	FED. AID PROJ. NO.	FISCAL YEAR	SHEET NO.	TOTAL SHEETS
HAWAII	HAW.	FR-083-1(14) HES-083-1(16)	1981	17	30



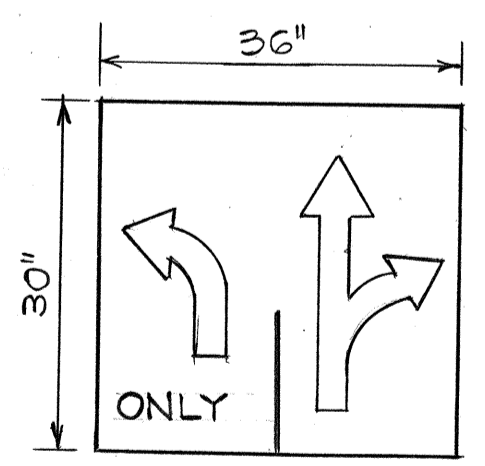
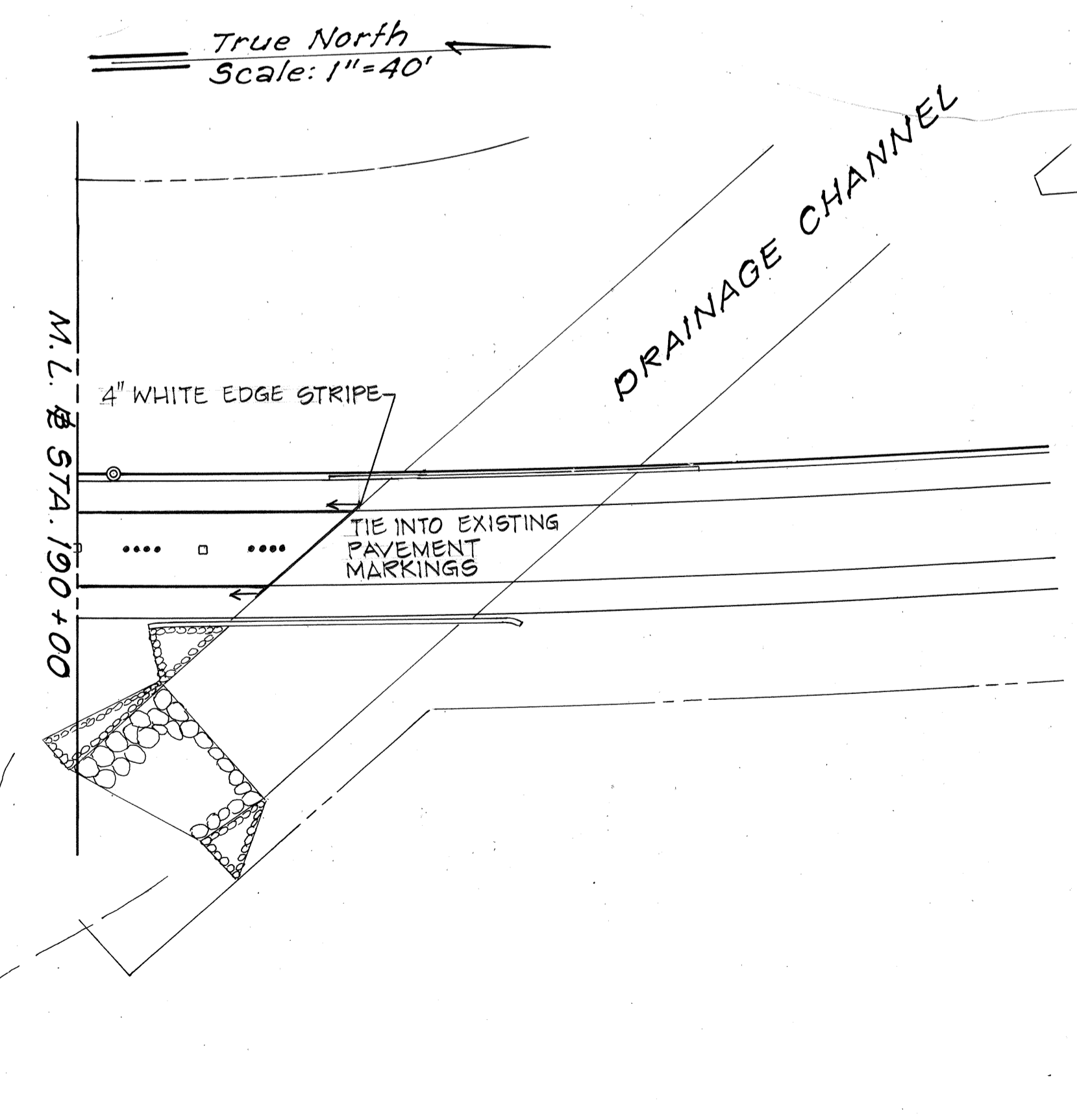
LEGEND

- 4 EACH TYPE J RAISED PAVEMENT MARKERS
- TYPE D RAISED PAVEMENT MARKERS
- 4 EACH TYPE A RAISED PAVEMENT MARKERS
- TYPE C RAISED PAVEMENT MARKERS
- 4" DOUBLE YELLOW MARKING TAPE WITH TYPE D RAISED PAVEMENT MARKERS 20'-0" O.C.
- 4" DOUBLE YELLOW MARKING TAPE WITH TYPE H RAISED PAVEMENT MARKERS, 20'-0" O.C.
- 12" YELLOW MARKING TAPE
- 4" WHITE EDGE STRIPE
- CROSSWALK & STOP LINE (ALL STOP LINES 8'-0" FROM CROSSWALK UNLESS OTHERWISE NOTED.) USE MARKING TAPE FOR ALL CROSSWALKS & STOP LINES
- PAVEMENT ARROW (USE MARKING TAPE)

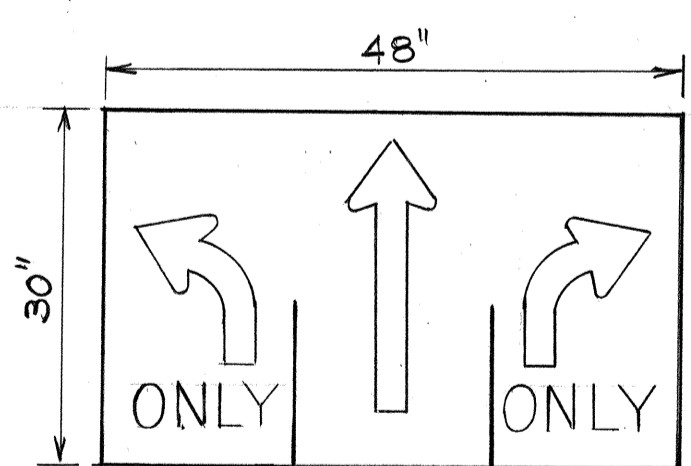
PAVEMENT MARKING SUMMARY	
DESCRIPTION	QUANTITY
PAVEMENT STRIPING	9250 LIN. FT.
PAVEMENT MARKING TAPE	11,150 LIN. FT.
CROSSWALK MARKING (TAPE)	32 LANES
PAVEMENT ARROWS (TAPE)	17 EACH
TYPE A PAVEMENT MARKERS	90 EACH
TYPE C PAVEMENT MARKERS	50 EACH
TYPE D PAVEMENT MARKERS	170 EACH
TYPE H PAVEMENT MARKERS	170 EACH
TYPE J PAVEMENT MARKERS	54 EACH

GENERAL NOTES

1. LOCATIONS OF ALL NEW PAVEMENT MARKINGS SHALL BE STAKED OUT BY THE CONTRACTOR FOR APPROVAL BY THE ENGINEER PRIOR TO INSTALLATION.
2. EXISTING PAVEMENT MARKINGS NOT INCORPORATED IN THE FINAL TRAFFIC PATTERN SHALL BE REMOVED AS DIRECTED BY THE ENGINEER. COSTS SHALL BE INCIDENTAL TO THE VARIOUS CONTRACT ITEMS.
3. RAISED PAVEMENT MARKERS SHALL NOT BE PLACED WITHIN CROSSWALKS.
4. FOR ADDITIONAL PAVEMENT MARKING DETAILS, SEE PLAN SHEET Nos. 24 & 25.
5. MARKING TAPE SHALL BE USED FOR ALL PAVEMENT MARKINGS AND STRIPING EXCEPT FOR 4" WHITE EDGE STRIPE WHICH SHALL BE PAINTED.



R3-24



R3-48

ORIGINAL PLAN	DATE
SURVEY PLOTTED BY	
DRAWN BY	
TRACED BY	
DESIGNED BY	
QUANTITIES BY	
CHECKED BY	

STATE OF HAWAII
DEPARTMENT OF TRANSPORTATION
LAND TRANSPORTATION FACILITIES DIVISION

SIGNING, PAVEMENT MARKING

KAHEKILI HIGHWAY

F.A.P. No. FR-083-1(14)
F.A.P. No. HES-083-1(16)

SCALE: 1"=40' DATE: APRIL, 1981

SHEET NO. 3 OF 3 SHEETS

DD-13-87