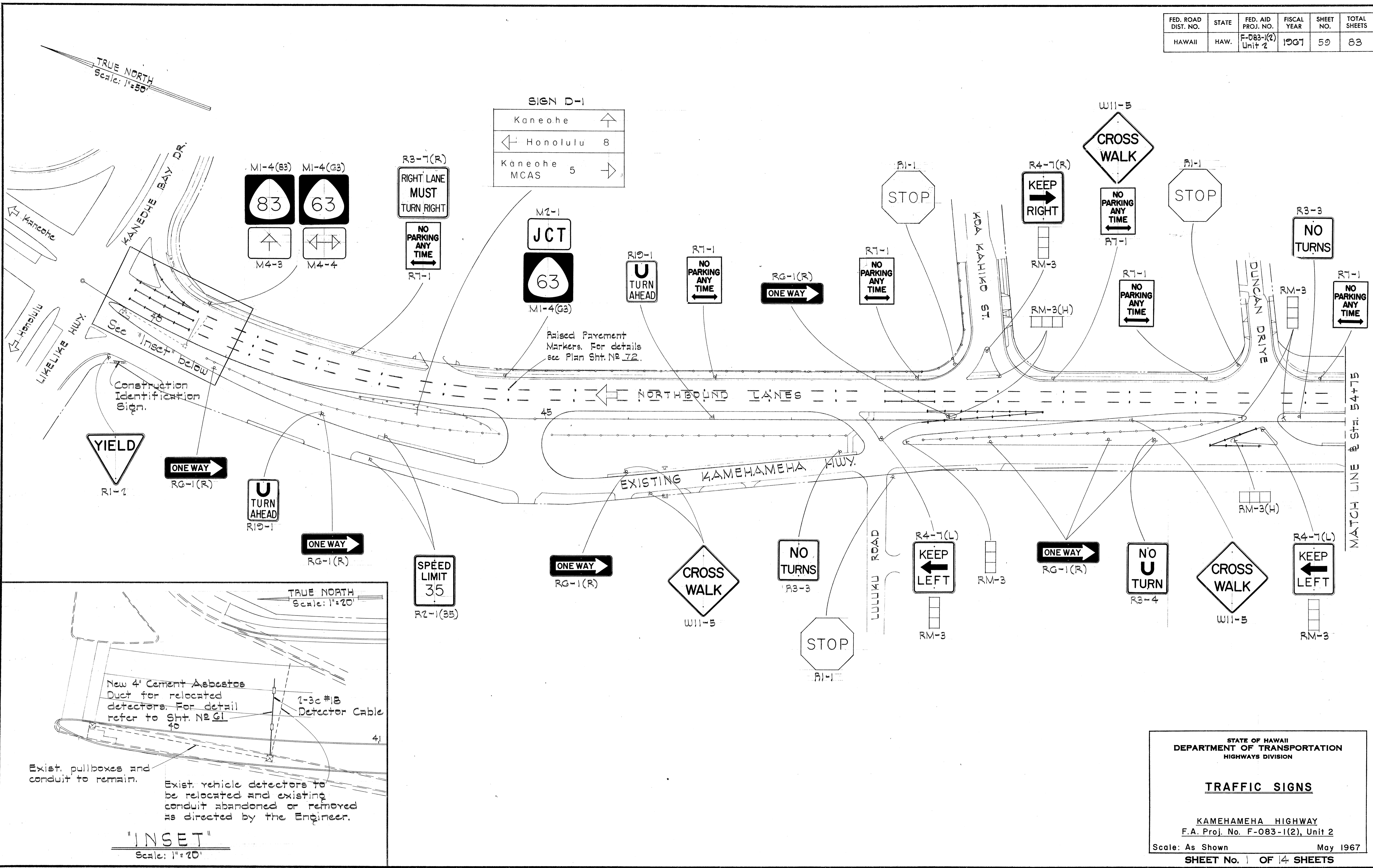


FED. ROAD DIST. NO.	STATE	FED. AID PROJ. NO.	FISCAL YEAR	SHEET NO.	TOTAL SHEETS
HAWAII	HAW.	F-083-1(2) Unit 2	1967	59	83



DATE
SURVEY PLOTTED BY
DRAWN BY
DESIGNED BY
QUANTITIES BY
CHECKED BY
ORIGINAL PLAN
NOTE BOOK
NO.

STATE OF HAWAII
DEPARTMENT OF TRANSPORTATION
HIGHWAYS DIVISION

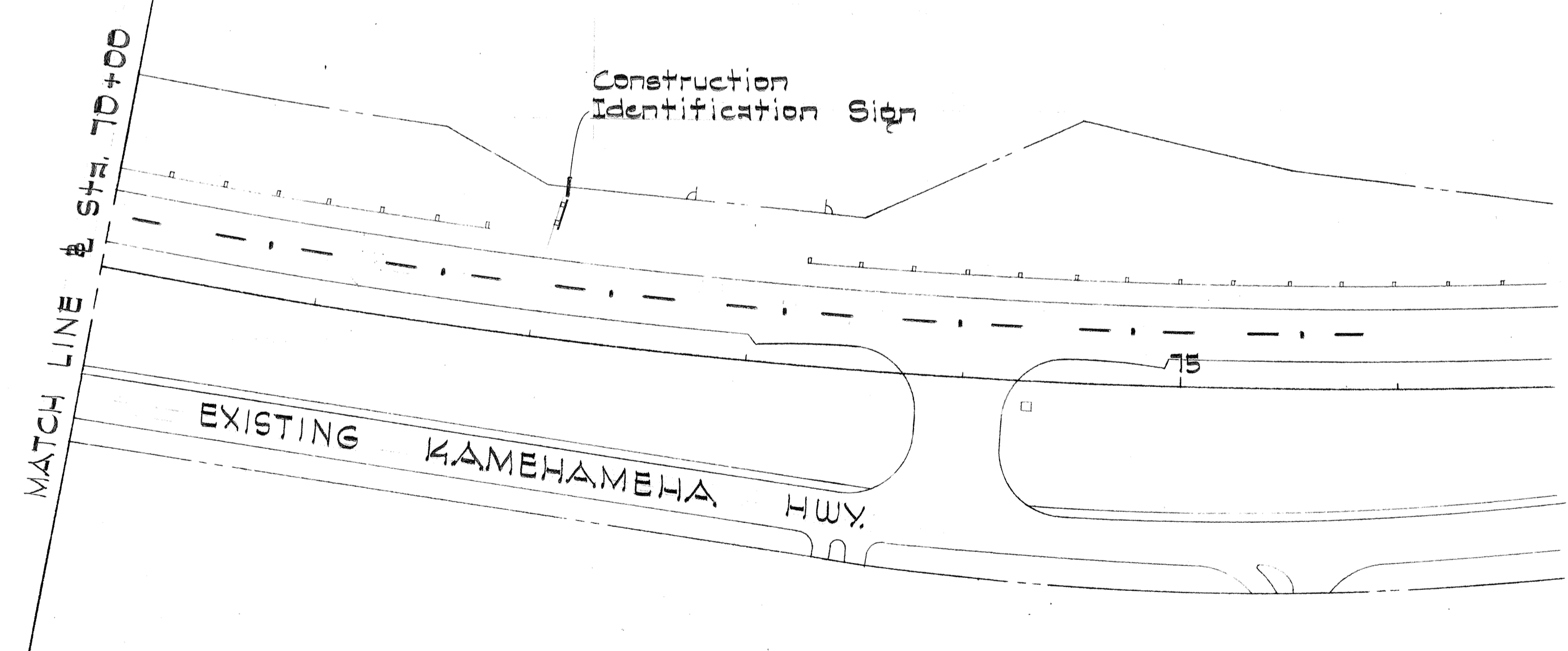
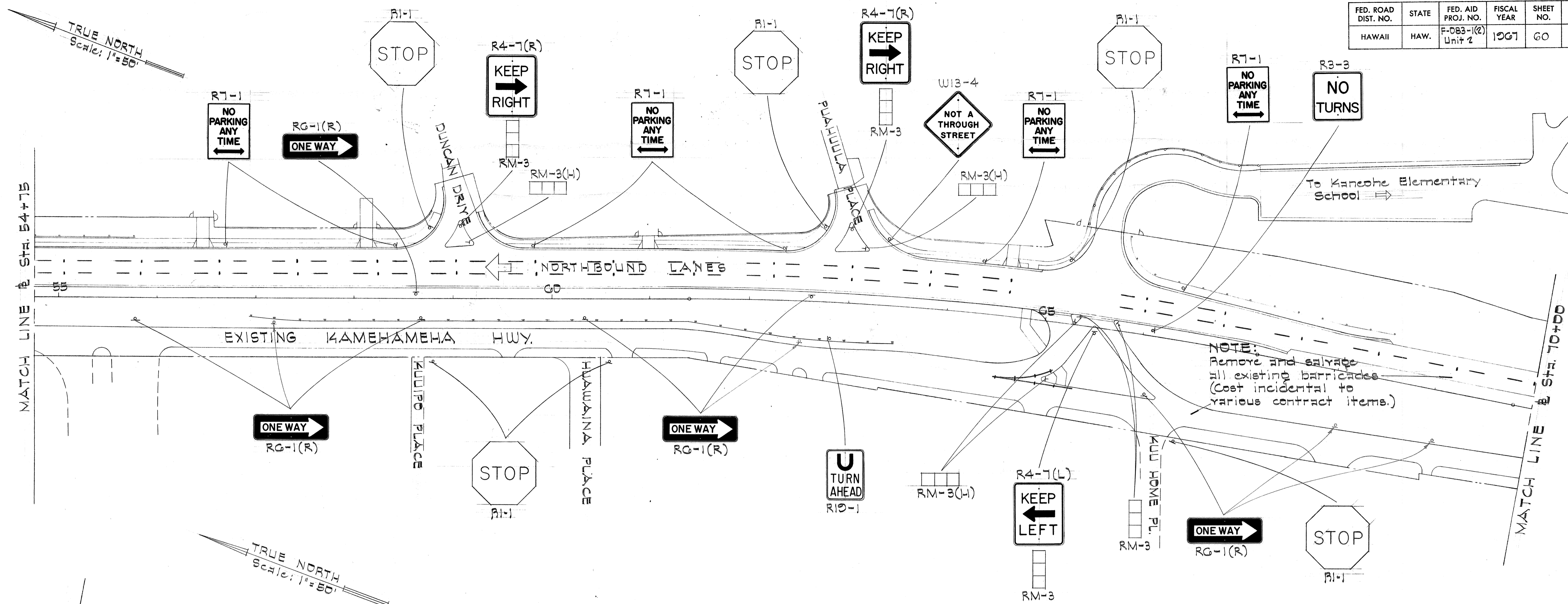
TRAFFIC SIGNS

KAMEHAMEHA HIGHWAY
F.A. Proj. No. F-083-1(2), Unit 2

Scale: As Shown May 1967

SHEET No. 1 OF 14 SHEETS

FED. ROAD DIST. NO.	STATE	FED. AID PROJ. NO.	FISCAL YEAR	SHEET NO.	TOTAL SHEETS
HAWAII	HAW.	F-083-1(2) Unit 2	1967	60	83



LEGEND

- New Sign
- Existing Sign
- Sign mounted on galvanized iron pipe.
- Reflector Marker mounted on galvanized channel.
- Destination Sign
- Construction Identification

GENERAL NOTES

1. Exact location of signs to be determined in the field by the Engineer.
2. Existing signs and posts not incorporated into the completed highway shall be removed unless otherwise noted. (All costs incidental to the various contract items.)
3. STOP sign posts for side streets shall have extensions for street name signs. The Contractor shall relocate existing street name signs to new posts. The cost for extensions and relocating shall be incidental to Item 107.51, "Regulatory and Warning Sign with Post."

STATE OF HAWAII
DEPARTMENT OF TRANSPORTATION
HIGHWAYS DIVISION

TRAFFIC SIGNS

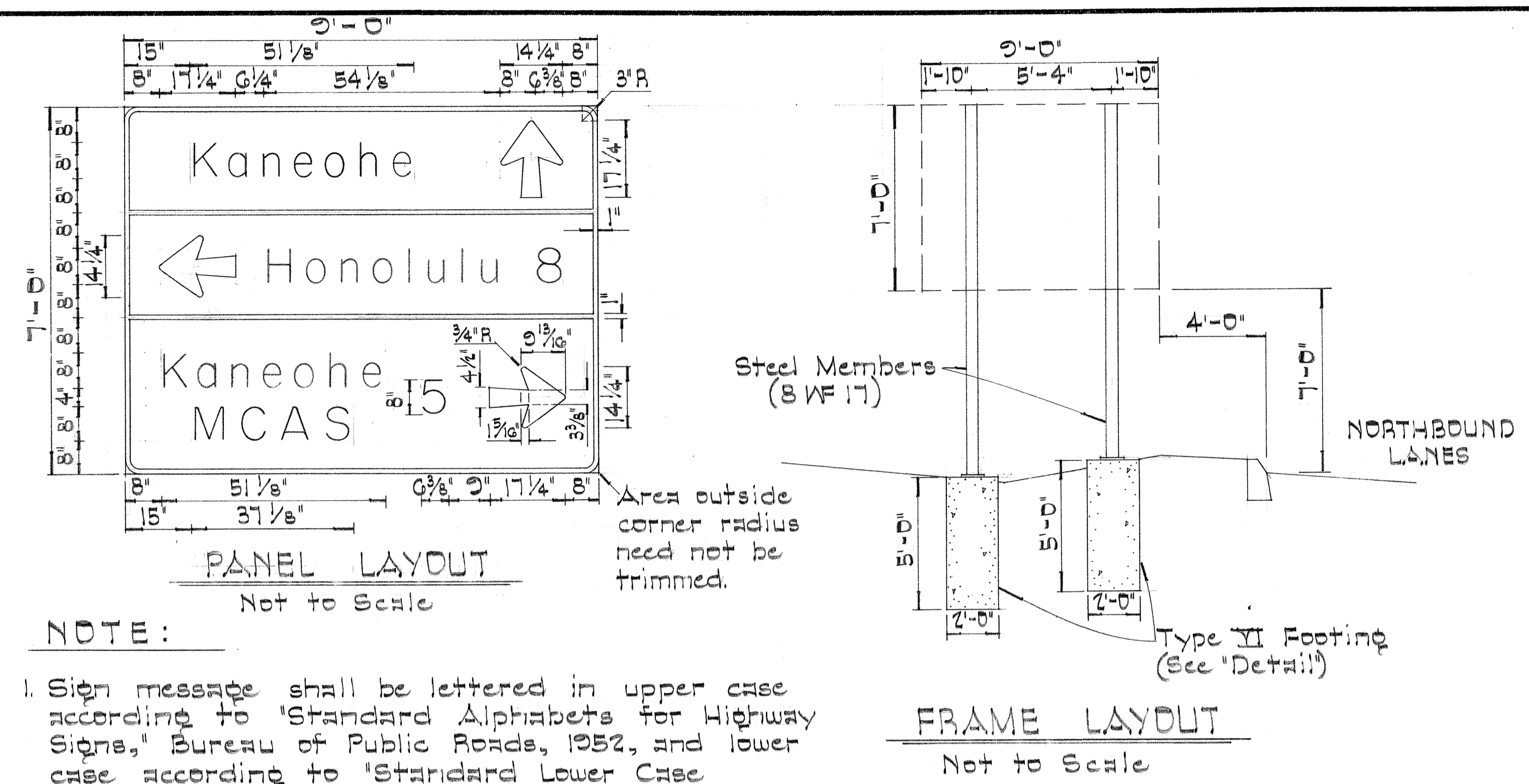
KAMEHAMEHA HIGHWAY
F.A. Proj. No. F-083-1(2), Unit 2
Scale: As Shown May 1967
SHEET No. 2 OF 14 SHEETS

DATE	_____
SURVEY PLOTTED BY	_____
DESIGNED BY	_____
QUANTITIES BY	_____
CHECKED BY	_____
NOTE BOOK	_____
NO.	_____

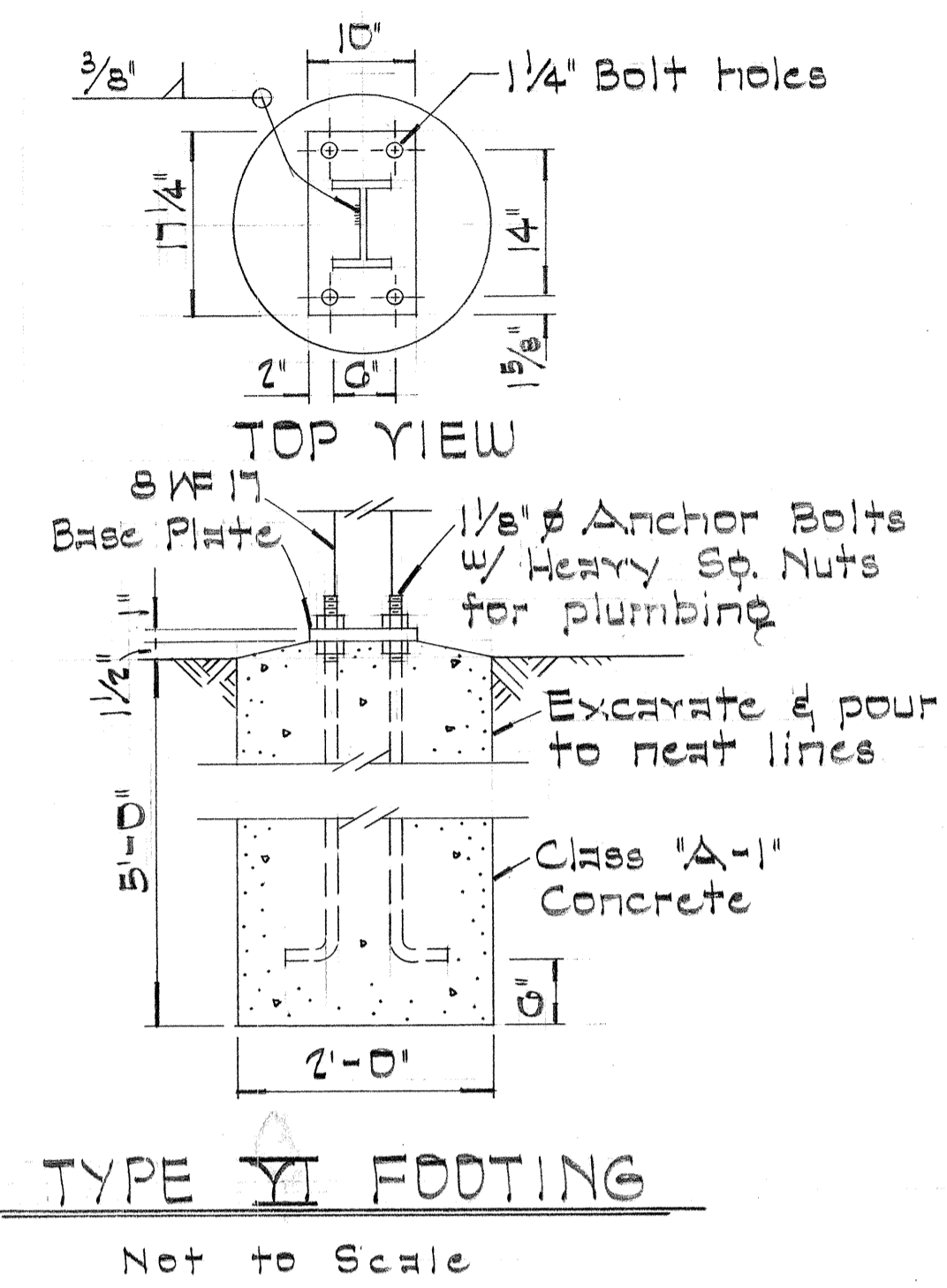
FED. ROAD DIST. NO.	STATE	FED. AID PROJ. NO.	FISCAL YEAR	SHEET NO.	TOTAL SHEETS
HAWAII	HAW.	F-083-1(2) Unit 2	1967	61	83

SUMMARY OF REGULATORY & WARNING SIGNS

TYPE	DESCRIPTION	QUANTITY	
		w/ Post	w/o Post
R1-1	STOP	9	
R1-2	YIELD	1	
R2-1(35)	SPEED LIMIT 35	2	
R3-3	NO TURNS	3	
R3-4	NO U TURN		1
R3-7(R)	RIGHT LANE MUST TURN RIGHT	1	
R4-7(R)	KEEP → RIGHT	3	
R4-7(L)	KEEP ← LEFT	3	
R6-1(R)	ONE WAY	12	1
R7-1	NO PARKING ANYTIME	10	2
R10-1	U TURN AHEAD	2	1
W11-5	CROSSWALK	4	
W13-4	NOT A THROUGH STREET	1	
TOTAL		51	5



- NOTE:**
1. Sign message shall be lettered in upper case according to "Standard Alphabets for Highway Signs," Bureau of Public Roads, 1952, and lower case according to "Standard Lower Case Alphabets for Highway Signs, Bureau of Public Roads, 1962. Use Series "E" modified letters and numerals unless otherwise noted.
 2. Letters, symbols and borders shall be demountable aluminum cut-outs with white reflective sheeting, and shall be fastened to the sign panel with blind rivets. See Special Provisions.
 3. Background shall be reflectorized green.



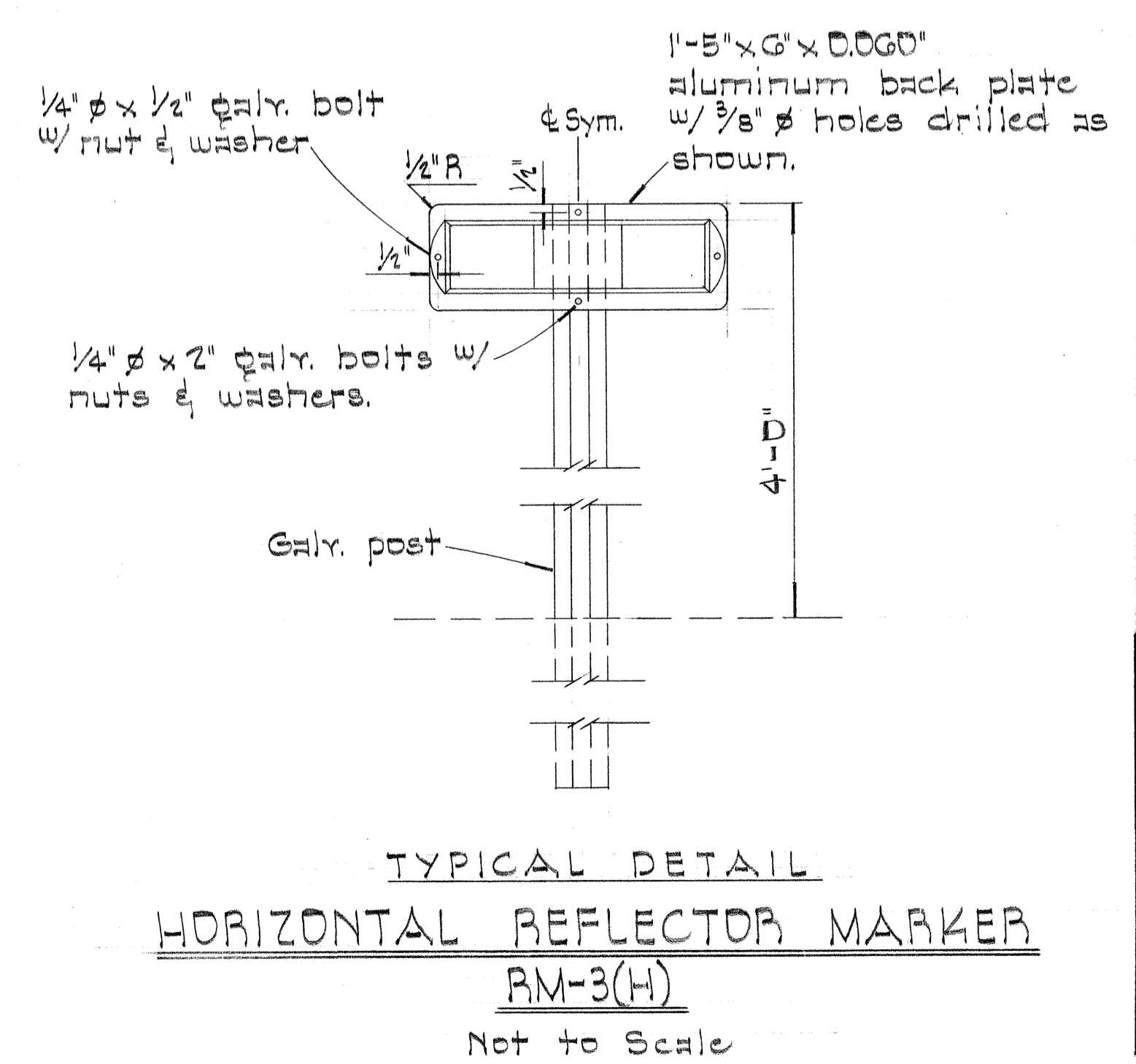
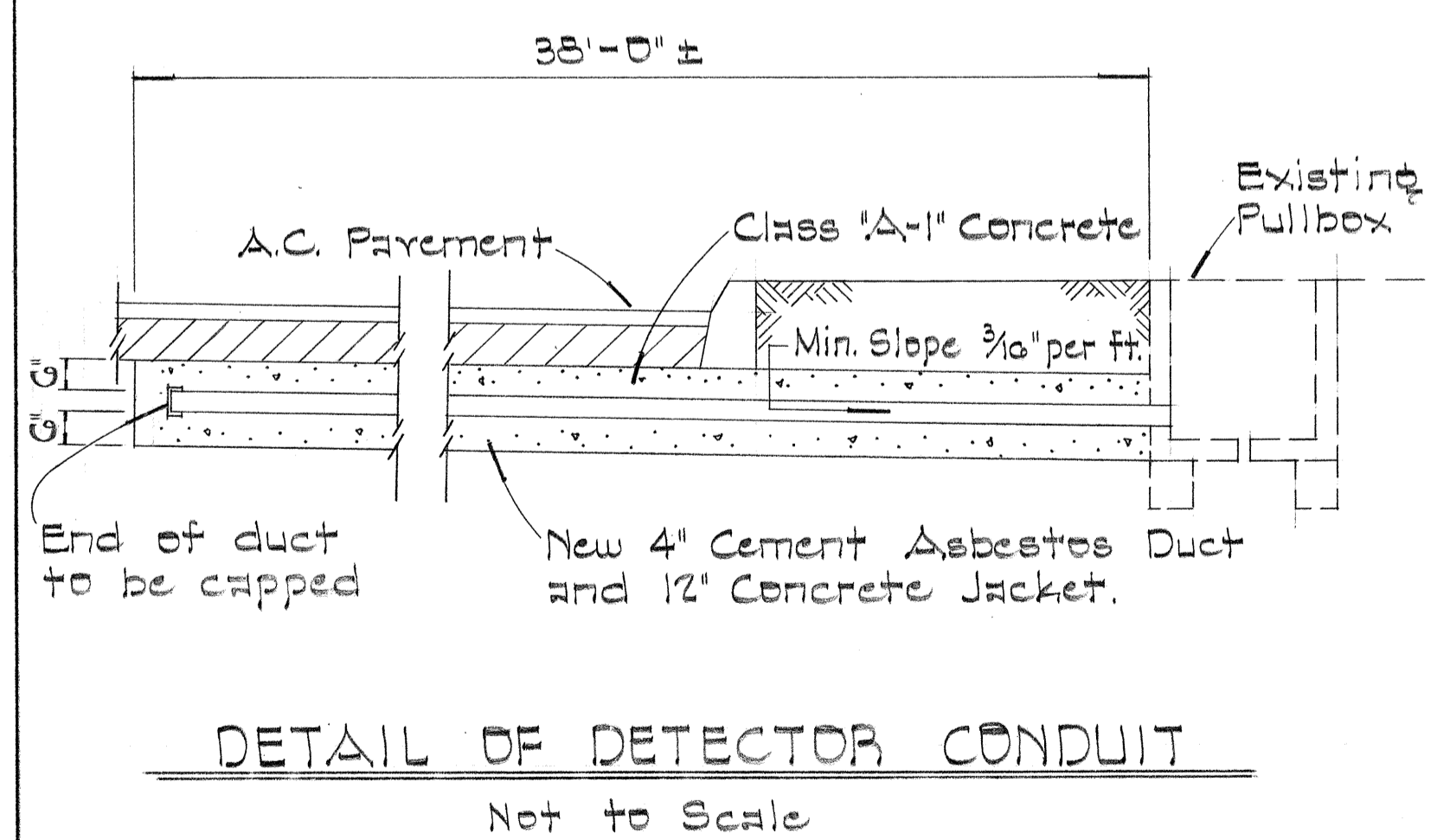
SUMMARY OF REFLECTOR MARKERS

TYPE	DESCRIPTION	QUANTITY	
		w/ Post	w/o Post
RM-3	Triple Unit - Amber	5	6
RM-3(H)	Triple Unit - Horizontal	6	1
TOTAL		11	7

SUMMARY OF ROUTE MARKER ASSEMBLIES

TYPE	DESCRIPTION	QUANTITY	
		w/ Post	w/o Post
M1-4(G3)	State Route Marker - G3	2	
M1-4(B3)	State Route Marker - B3		1
M2-1	Auxiliary Marker - JCT		1
M4-3	Auxiliary Marker - ↑		1
M4-4	Auxiliary Marker - ↔		1
TOTAL		2	4

SIGN D-1
@ Sta. 43+50

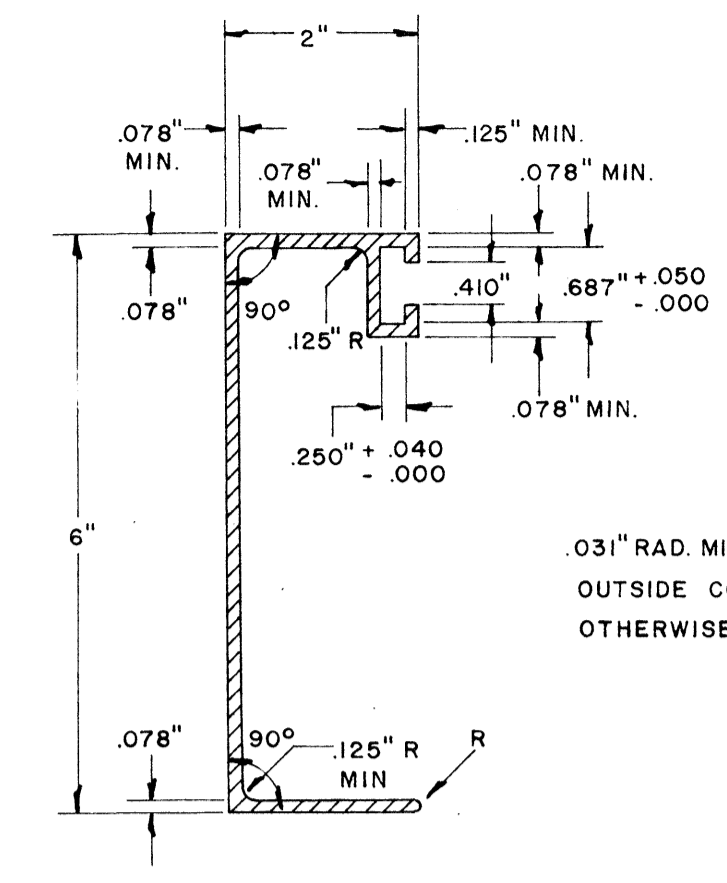
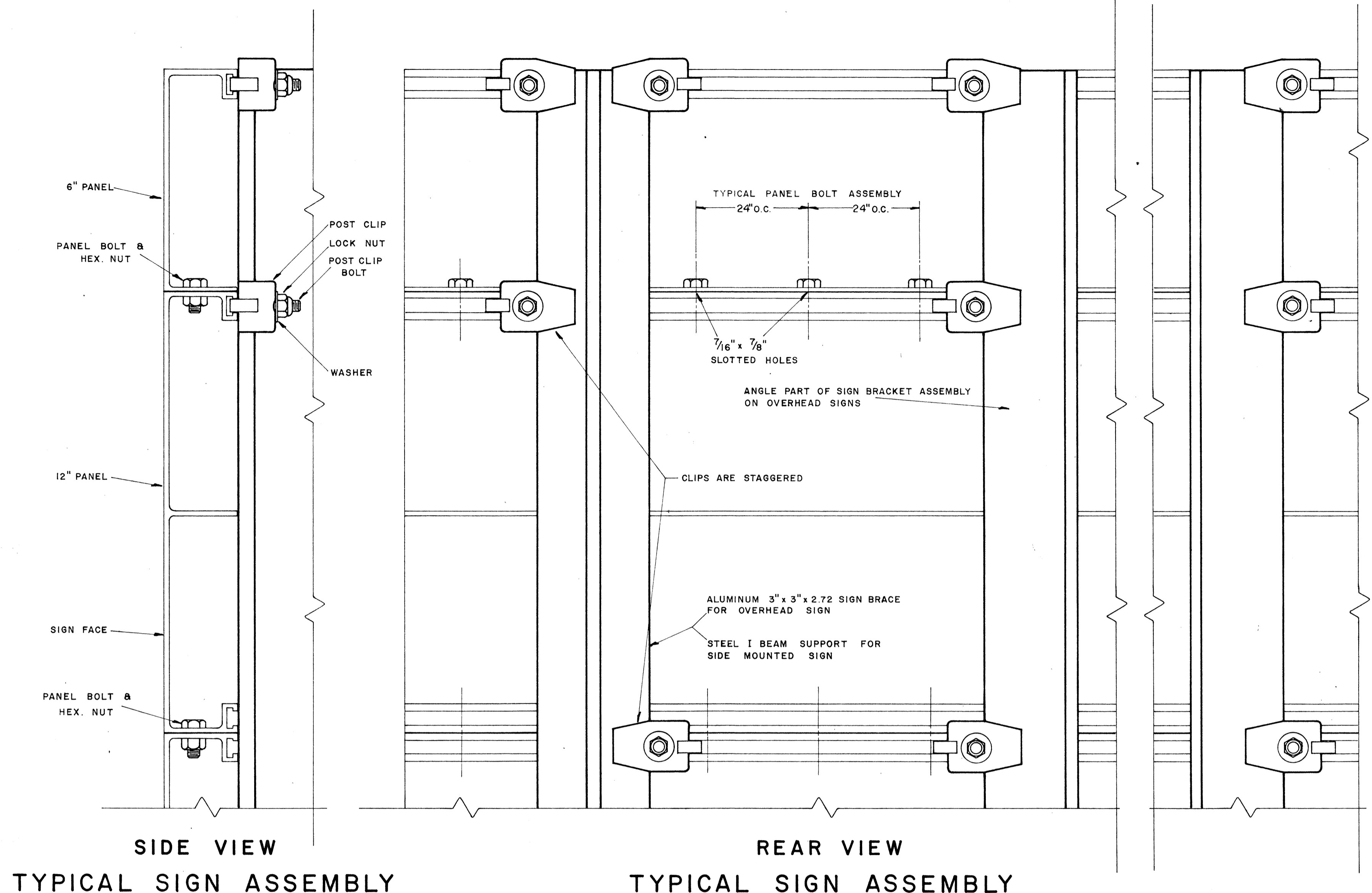


STATE OF HAWAII
DEPARTMENT OF TRANSPORTATION
HIGHWAYS DIVISION

MISCELLANEOUS DETAILS

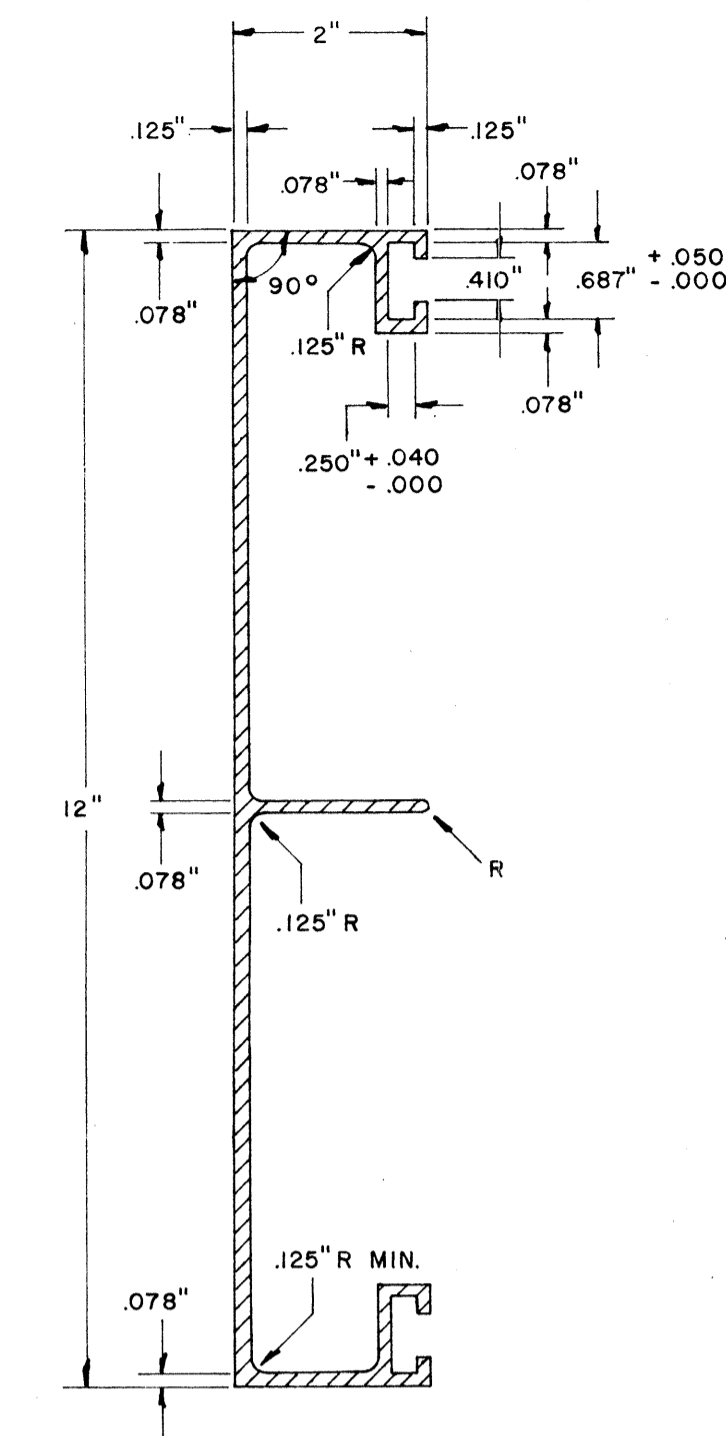
KAMEHAMEHA HIGHWAY
F.A. Proj. No. F-083-1(2), Unit 2
Scale: As Shown May 1967
SHEET No. 3 OF 14 SHEETS

SURVEY PLOTTED BY: _____ DATE: _____
 DRAWN BY: _____
 CHECKED BY: _____
 ORIGINAL PLAN NO. _____
 NOTE BOOK NO. _____

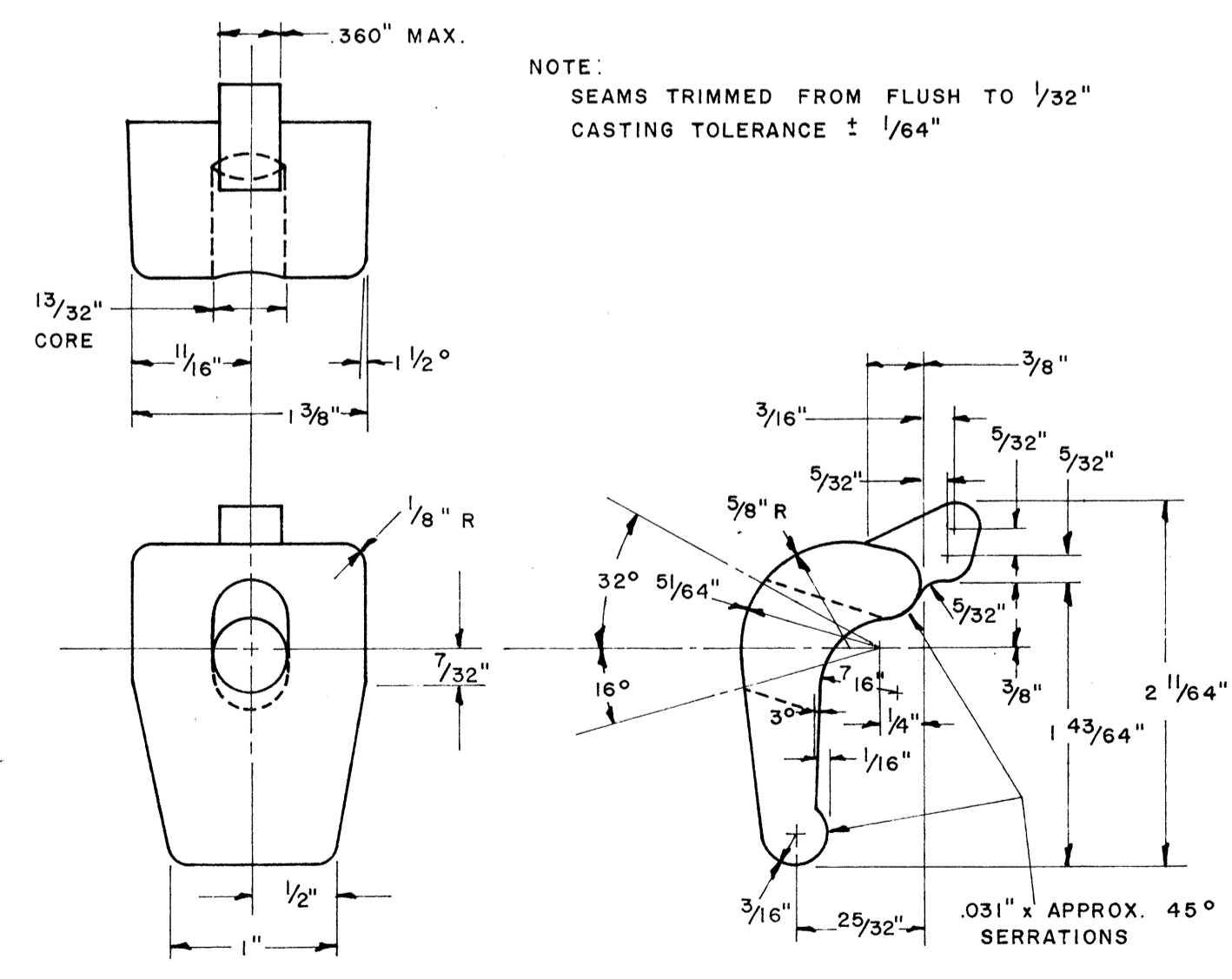


6" SIGN PANEL
WT./LINEAL FT. - 1.103 LBS. MIN.
ALLOY - 6061 - F(1)
MOMENT OF INERTIA - 0.487 MIN
MINIMUM SECTION MODULUS 0.341

SOLID EXTRUDED SIGN PANEL DETAILS

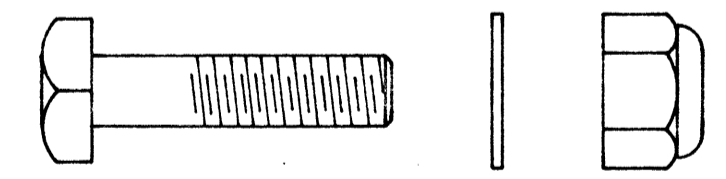


12" SIGN PANEL
WT./LINEAL FT. - 2.690 LBS. MIN.
ALLOY - 6061 - F(1)
MOMENT OF INERTIA 0.936 MIN.
MINIMUM SECTION MODULUS 0.605



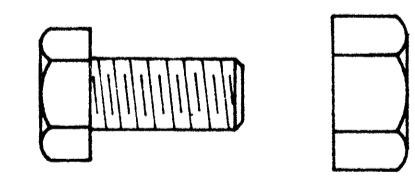
POST CLIP DETAIL

ALLOY 356 - T6



POST CLIP BOLT ASSEMBLY

3/8" - 16 x 1 3/4" LONG SQ. HD. BOLT - ALLOY 2024 - T4
3/8" - 16 LOCK NUT - ALLOY 2017 - T4
25/32" ID x 3/4" OD x .09" WASHER - ALLOY ALCLAD 2024 - T4



PANEL BOLT ASSEMBLY

3/8" - 16 x 3/4" LONG HEX. HD. BOLT - ALLOY 2024 - T4
3/8" - 16 HEX. NUT - ALLOY 6061 - T6
FLAT WASHER - ALLOY ALCLAD 2024 - T4

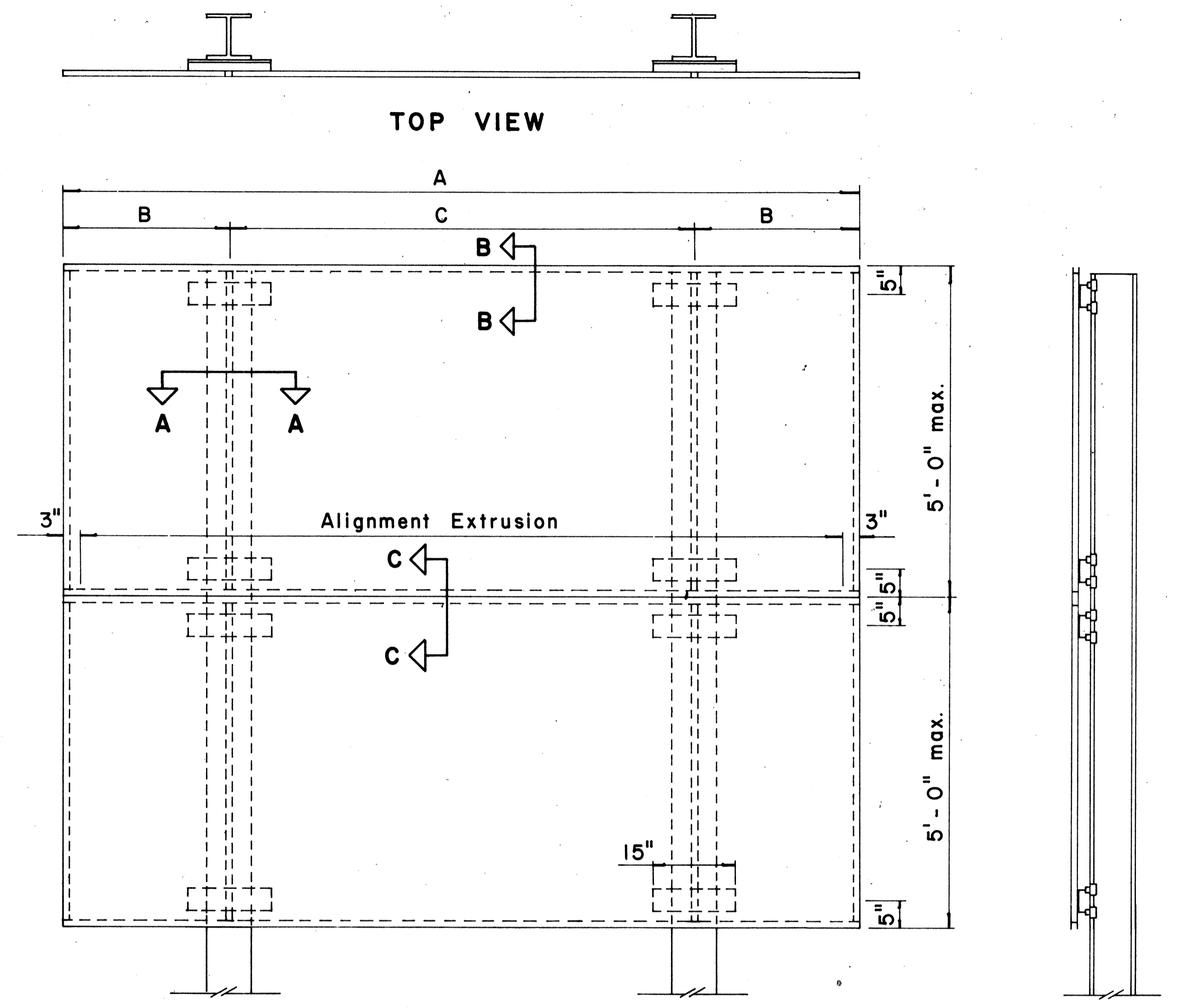
NOTE:
Extruded Aluminum Panels may be used for Destination Signs with Reflective Sheeting Background.

STATE OF HAWAII
DEPARTMENT OF TRANSPORTATION
HIGHWAYS DIVISION
STANDARD DETAILS
SOLID ALUMINUM
EXTRUDED SIGN PANEL
AND
ACCESSORY DETAILS
SCALE:

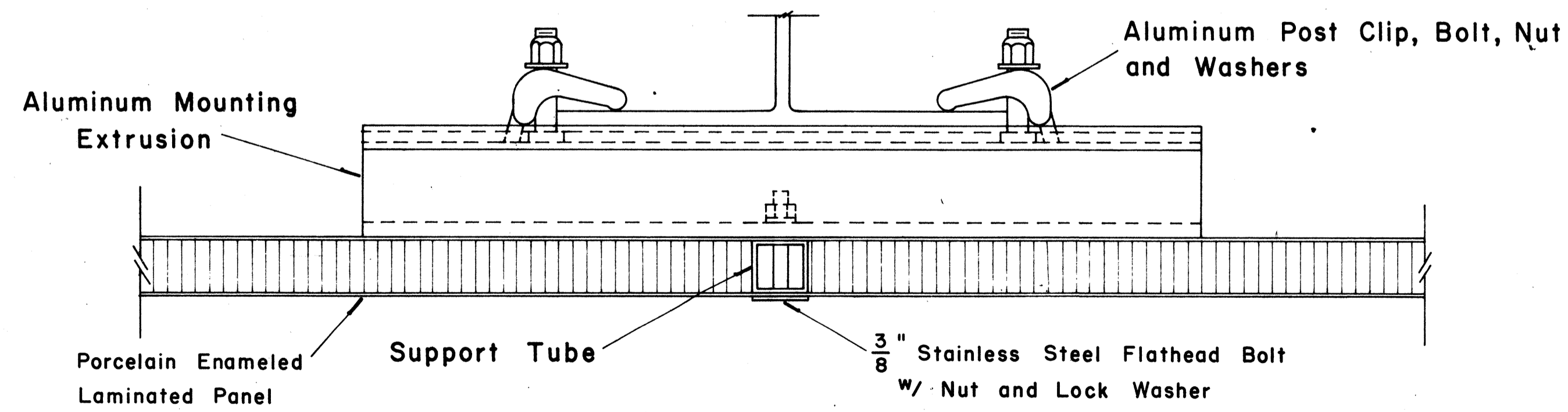
SURVEY PLOTTED BY _____ DATE _____
 ORIGINAL PLAN DRAWN BY _____
 TRACED BY _____
 NOTE BOOK QUANTITIES CHECKED BY _____
 No. _____

(GROUND MOUNTED SIGNS)
SUPPORT SPACING TABLE

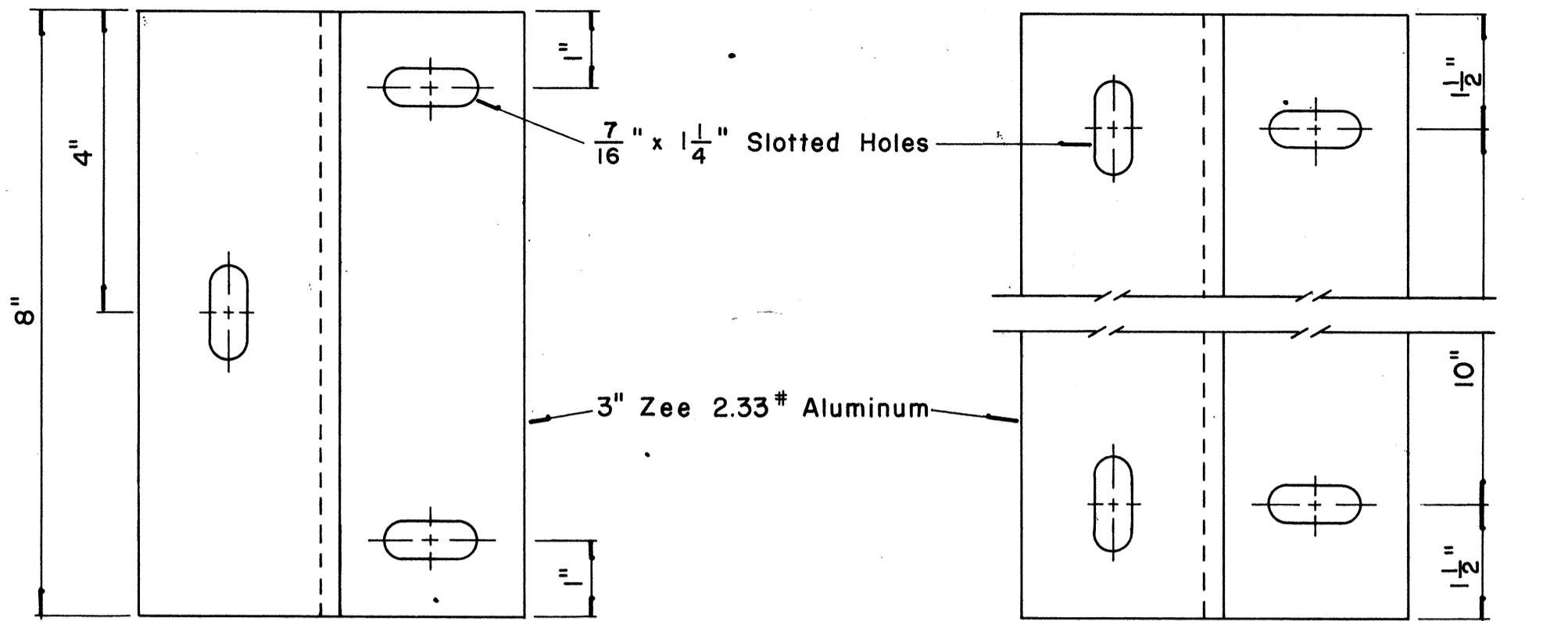
PANEL THICK.	LENGTH OF SIGN		NO. OF SUPPORTS	OVERHANG		SUPPORT SPACING
	A	B		B	C	
1"	6'-0"	2	12"	48"		
1"	6'-6"	2	15"	48"		
1"	7'-0"	2	15"	54"		
1"	7'-6"	2	18"	54"		
1"	8'-0"	2	18"	60"		
1"	8'-6"	2	20"	62"		
1"	9'-0"	2	22"	64"		
1"	9'-6"	2	23"	68"		
1"	10'-0"	2	24"	72"		
1"	10'-6"	2	24"	78"		
1"	11'-0"	2	24"	84"		
1"	11'-6"	2	27"	84"		
1"	12'-0"	2	30"	84"		
1"	12'-6"	2	30"	90"		
1"	13'-0"	2	30"	96"		
1"	13'-6"	2	30"	102"		
1"	14'-0"	2	30"	108"		
1"	14'-6"	2	36"	102"		
1"	15'-0"	2	36"	108"		
2.5"	15'-6"	2	36"	114"		
2.5"	16'-0"	2	39"	114"		
2.5"	16'-6"	2	39"	120"		
2.5"	17'-0"	2	39"	126"		
2.5"	17'-6"	2	42"	126"		
2.5"	18'-0"	2	42"	132"		
2.5"	18'-6"	2	45"	132"		
2.5"	19'-0"	2	45"	138"		
2.5"	19'-6"	2	45"	144"		
2.5"	20'-0"	2	48"	144"		
2.5"	20'-6"	2	48"	150"		
2.5"	21'-0"	2	51"	150"		
2.5"	21'-6"	2	51"	156"		
2.5"	22'-0"	2	51"	162"		
2.5"	22'-6"	2	54"	162"		
2.5"	23'-0"	2	54"	168"		
2.5"	23'-6"	2	54"	174"		
2.5"	24'-0"	2	57"	174"		



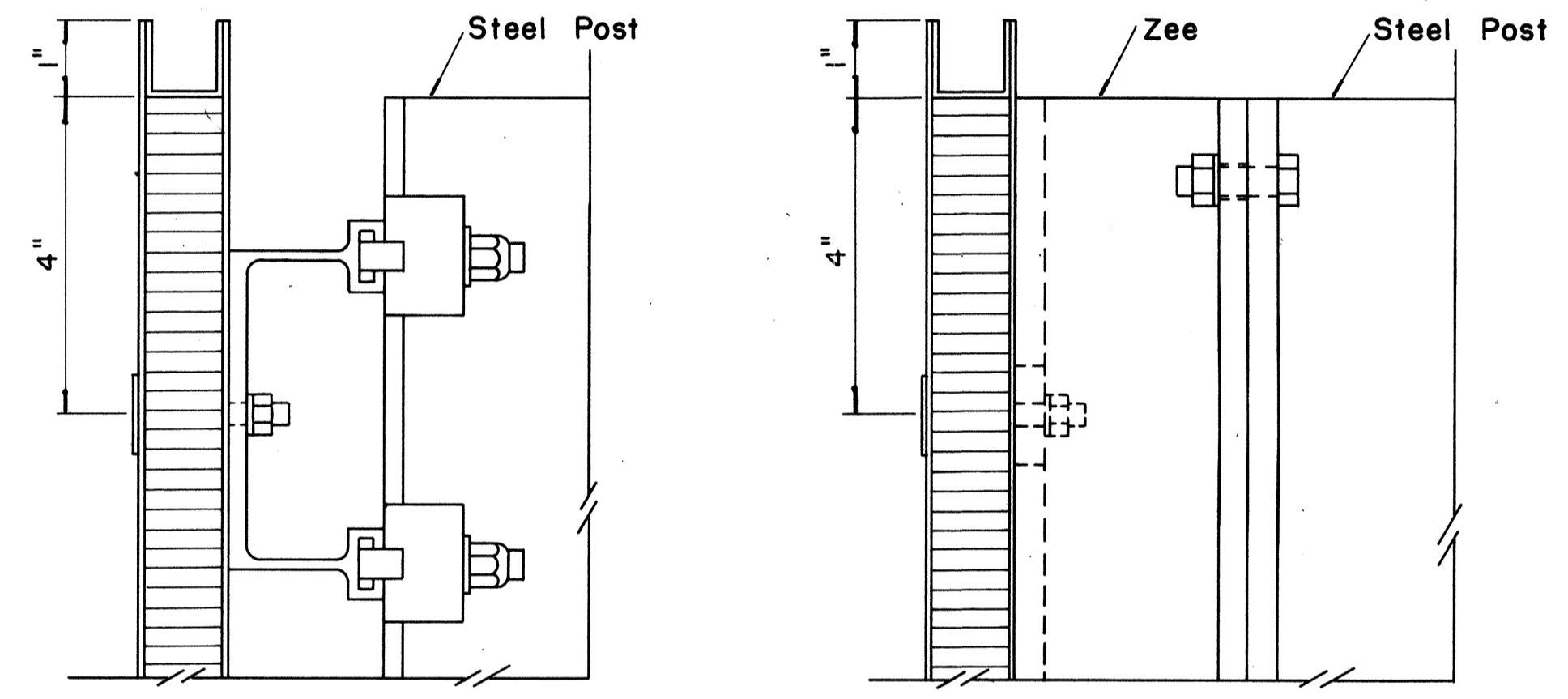
TYPICAL SIGN ASSEMBLY
Scale: $\frac{3}{4}$ " = 1'-0"



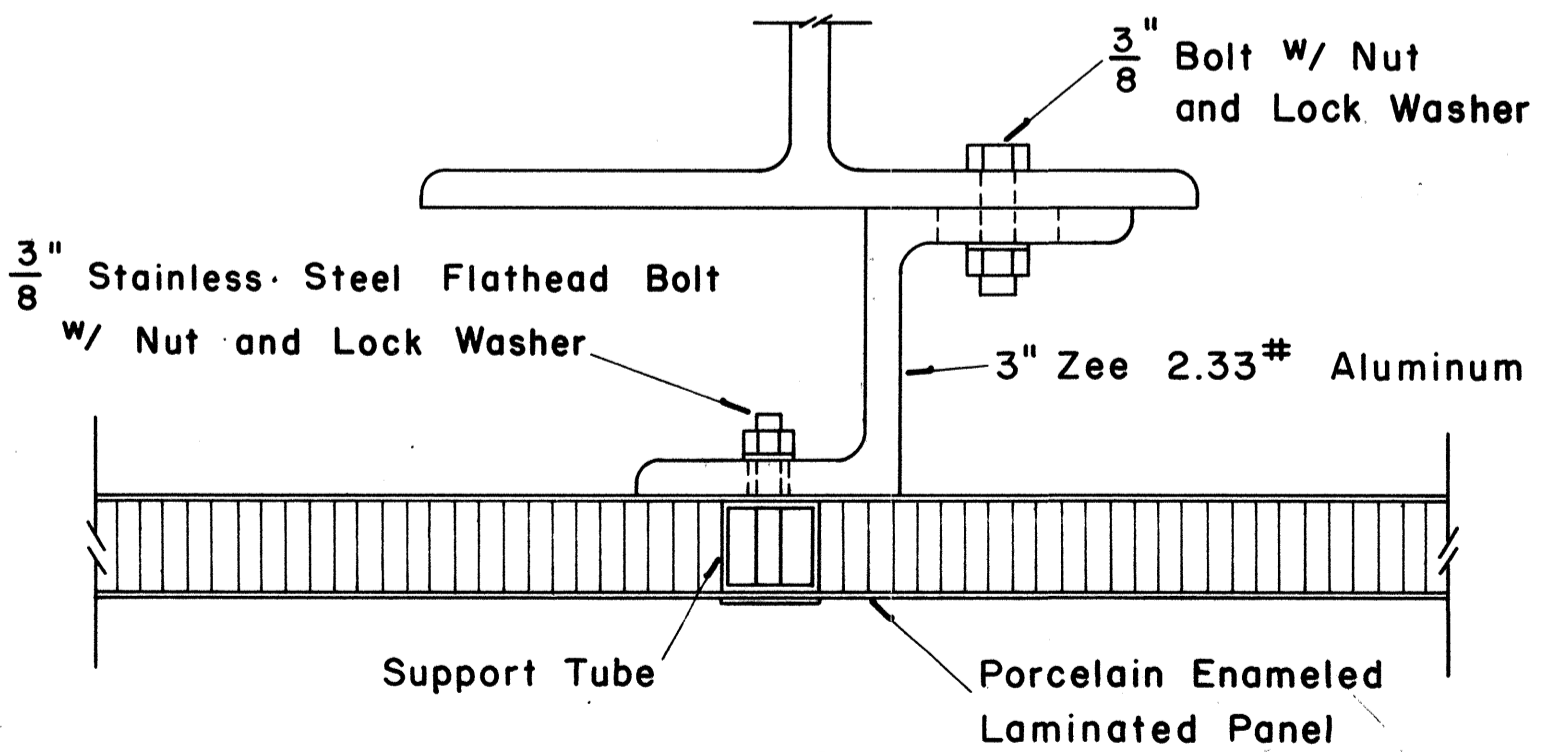
SECTION "A-A"
Scale: $\frac{1}{2}$ " = 1"



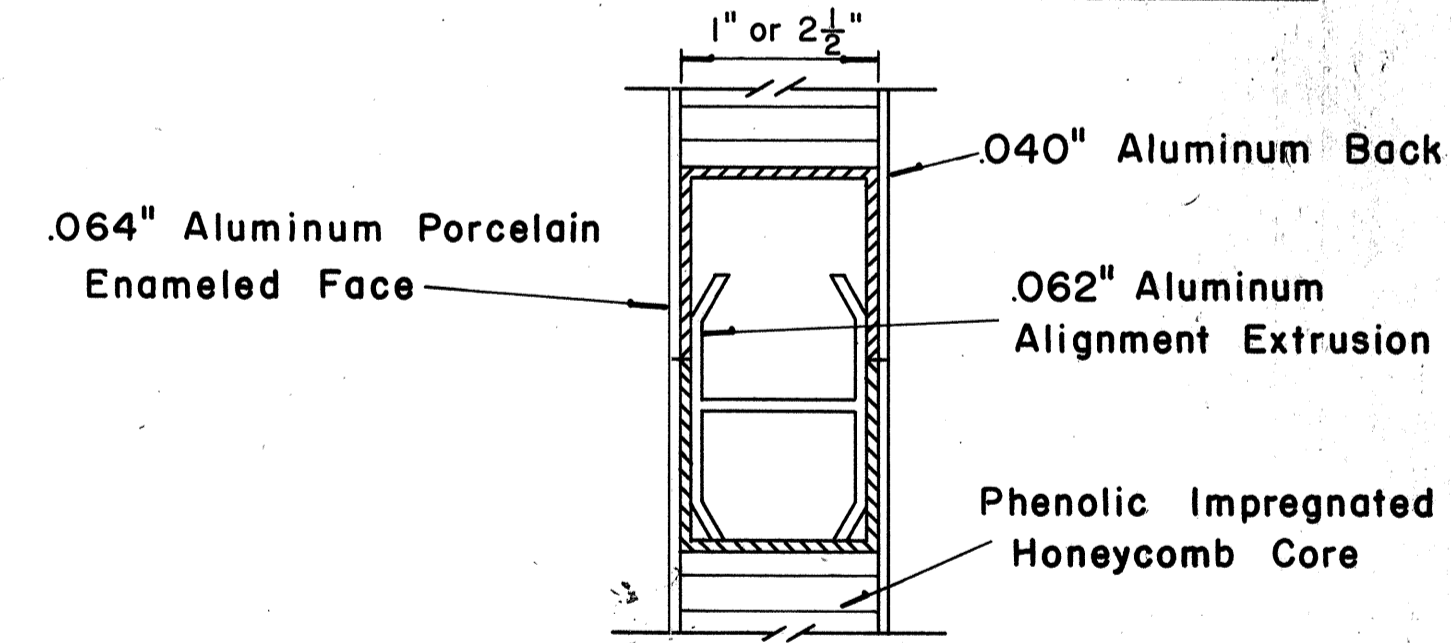
ZEE MOUNTING DETAILS
Scale: $\frac{1}{2}$ " = 1"



SECTION "B-B"
Scale: $\frac{1}{2}$ " = 1"
SECTION "B-B" (Alternate)
Scale: $\frac{1}{2}$ " = 1"



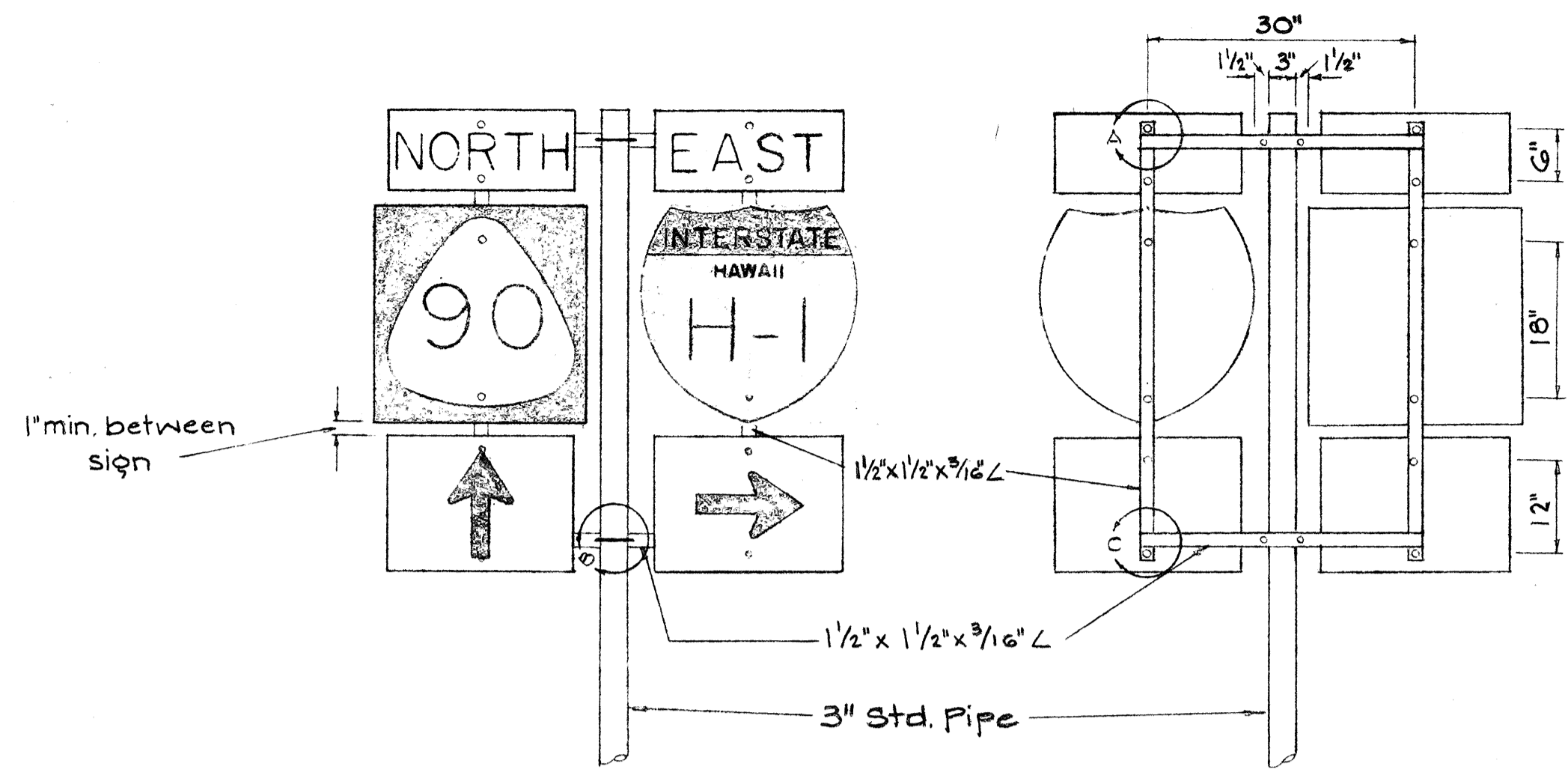
SECTION "A-A" (Alternate)
Scale: $\frac{1}{2}$ " = 1"



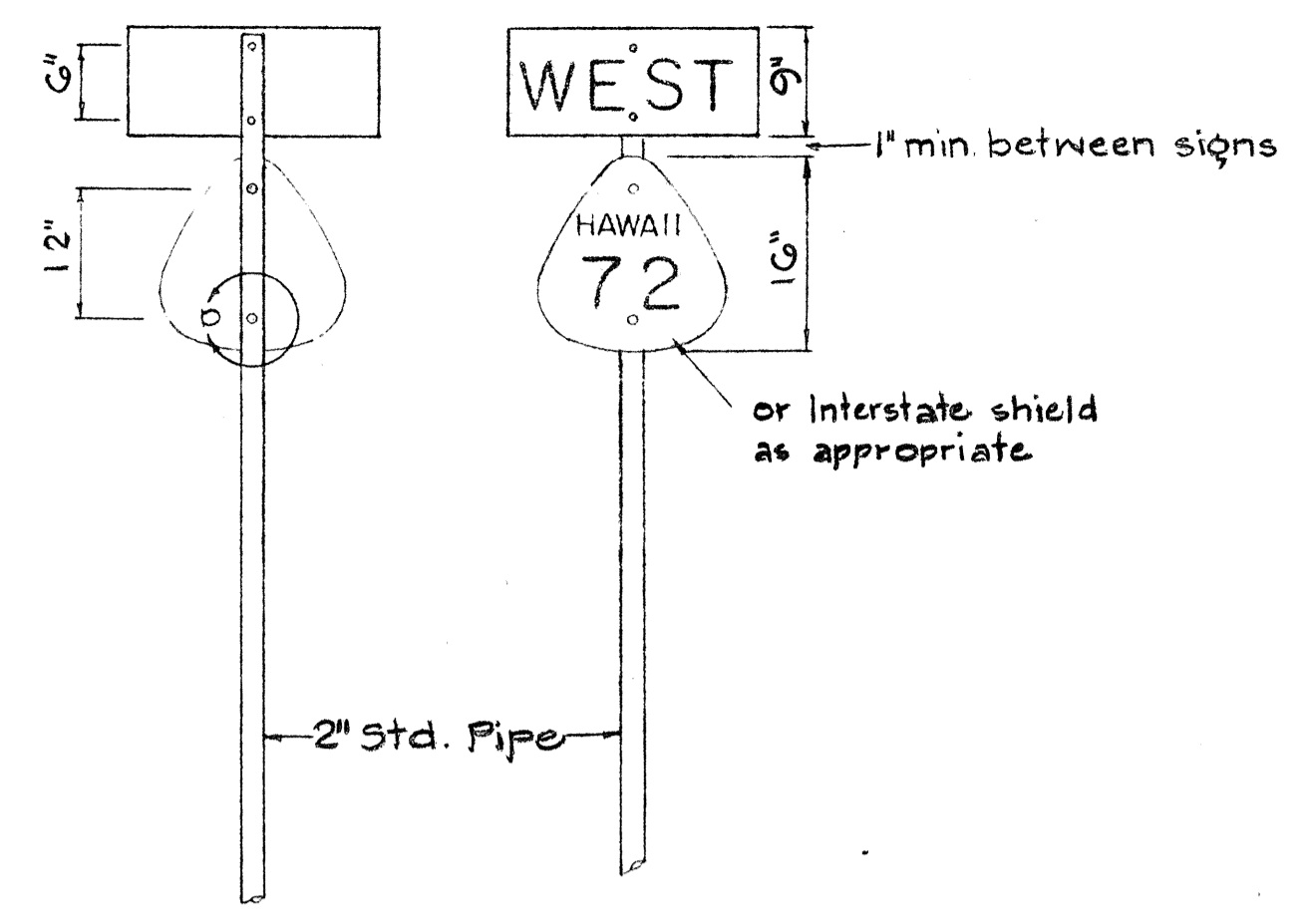
CLOSURE DETAIL SECTION "C-C"
FULL SCALE

STATE OF HAWAII
DEPARTMENT OF TRANSPORTATION
HIGHWAYS DIVISION
STANDARD DETAILS
LAMINATED ALUMINUM
SIGN PANELS
(GROUND MOUNTED)
Scale: As Shown
SHEET No. 5 OF 14 SHEETS

SURVEY PLATTED BY _____ DATE _____
 DRAWN BY _____
 CHECKED BY _____
 QUANTITIES BY _____
 NOTE BOOK No. _____



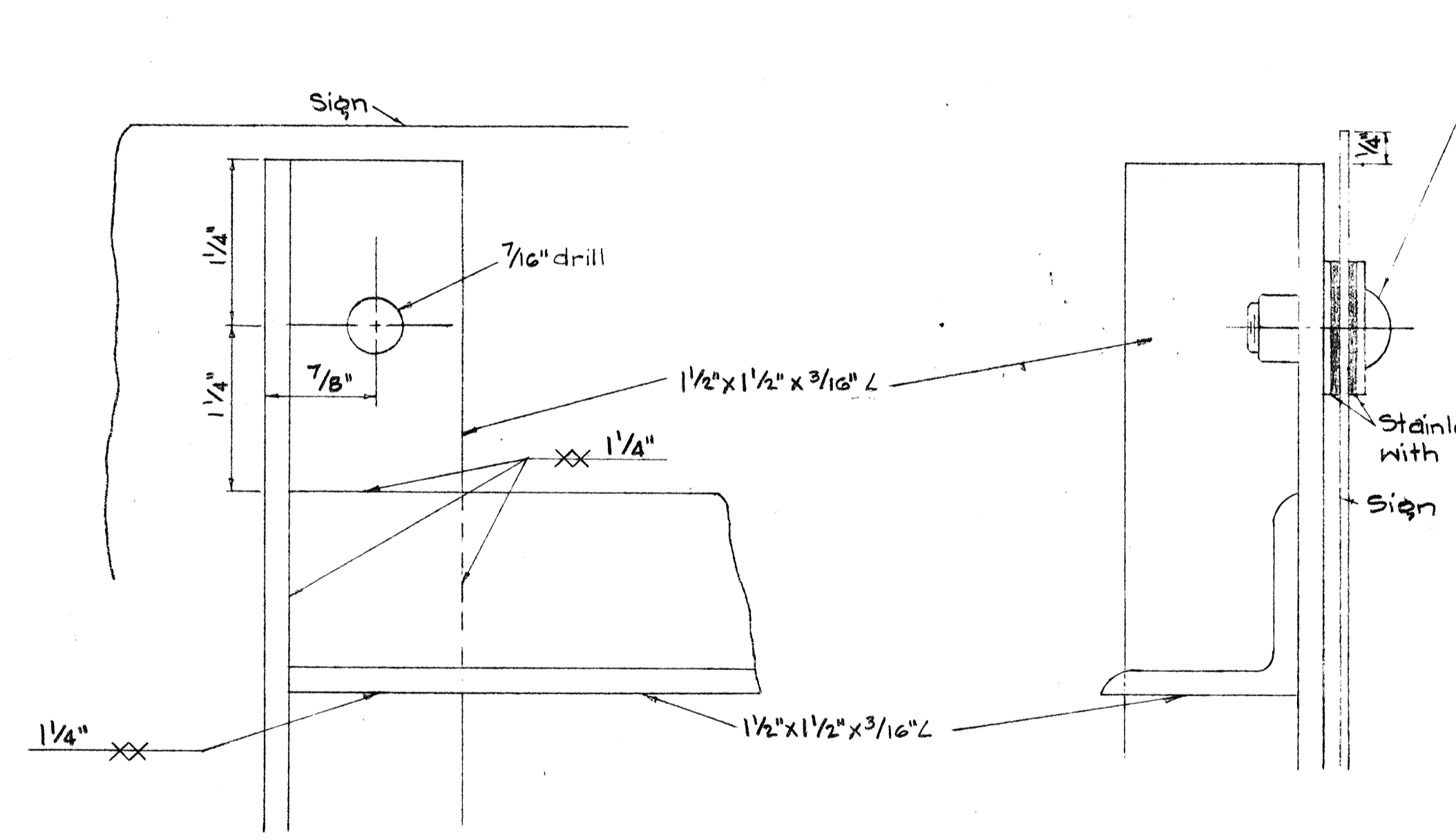
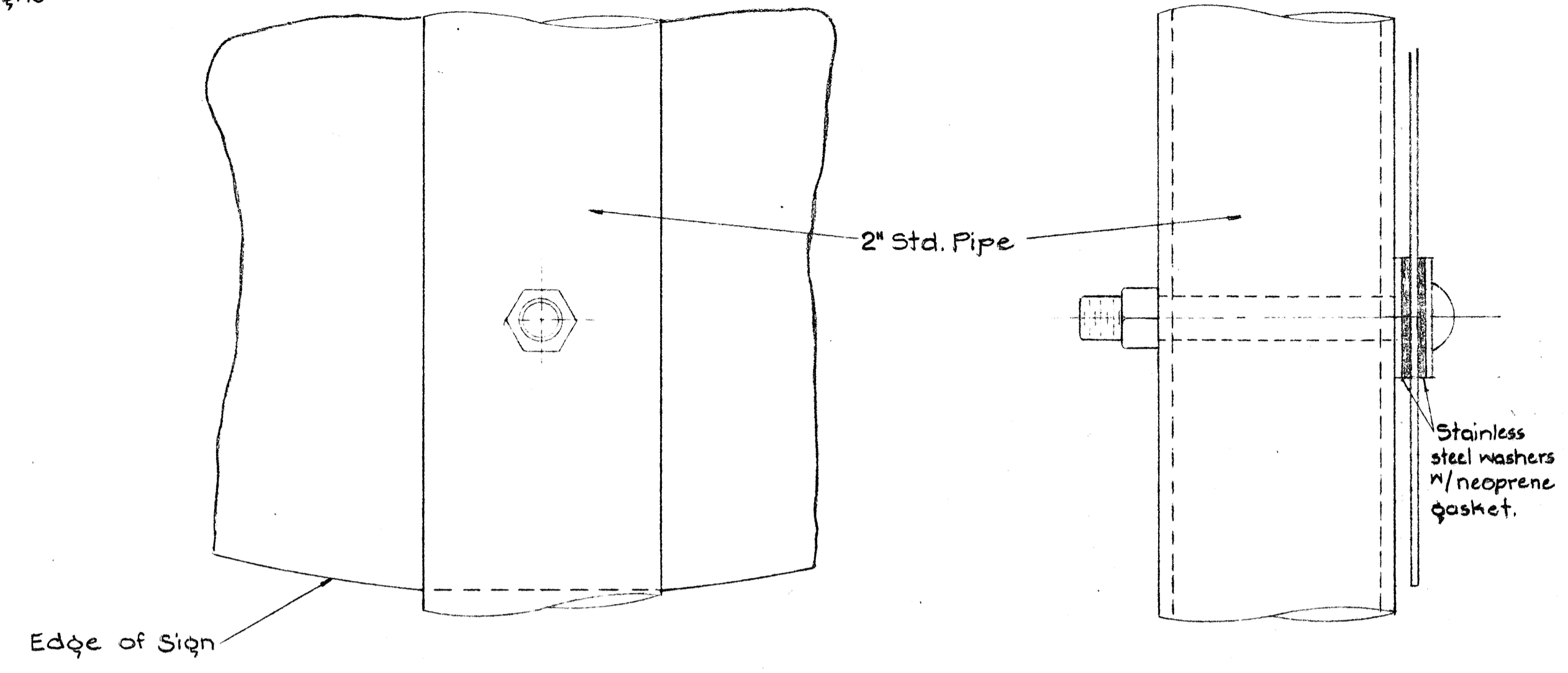
TYPE "B" ASSEMBLY
NOT TO SCALE



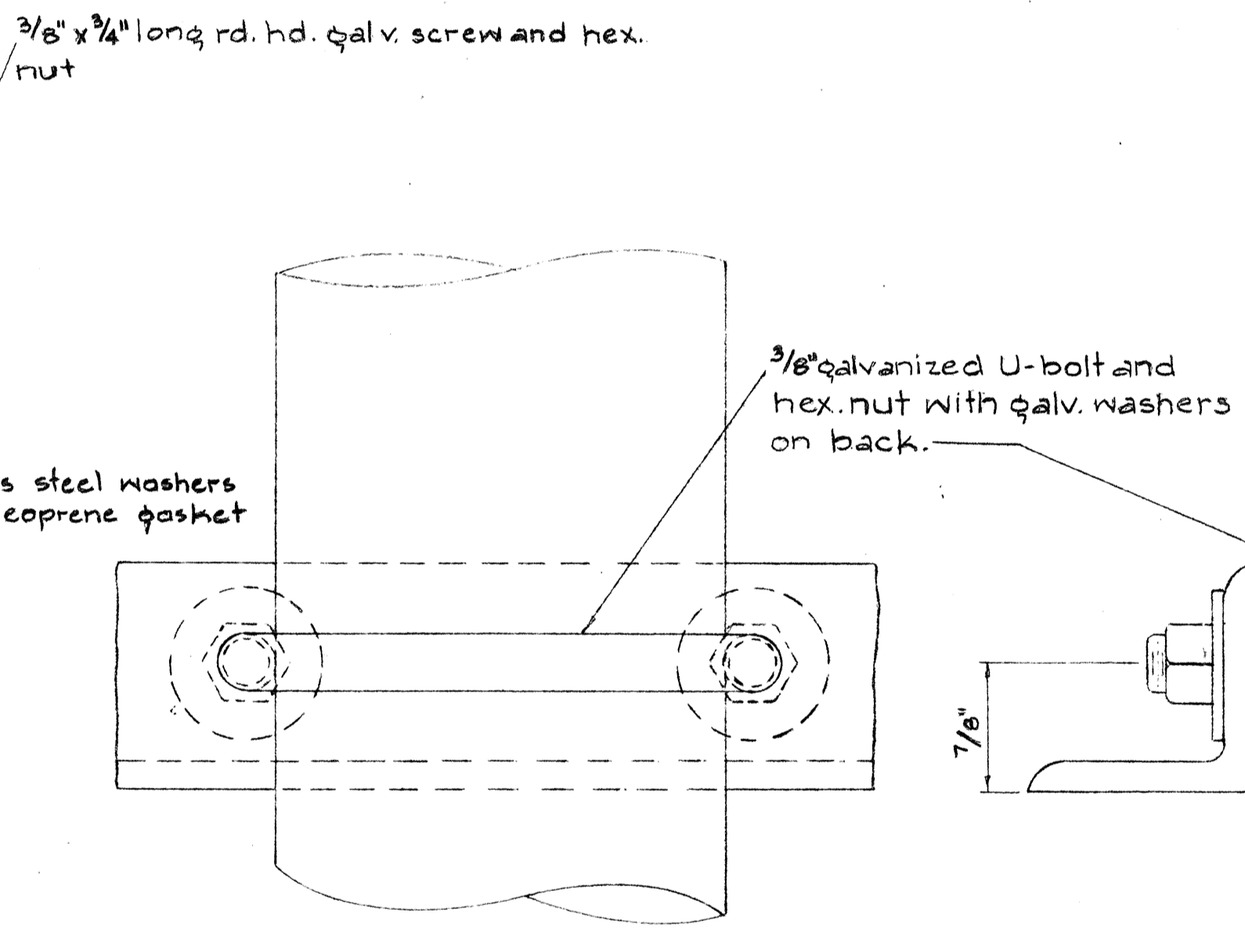
TYPE "A" ASSEMBLY
NOT TO SCALE

NOTE:
Minimum clearance between signs shall be 1 inch. (Larger clearances shall be in multiples of 1 inch.)

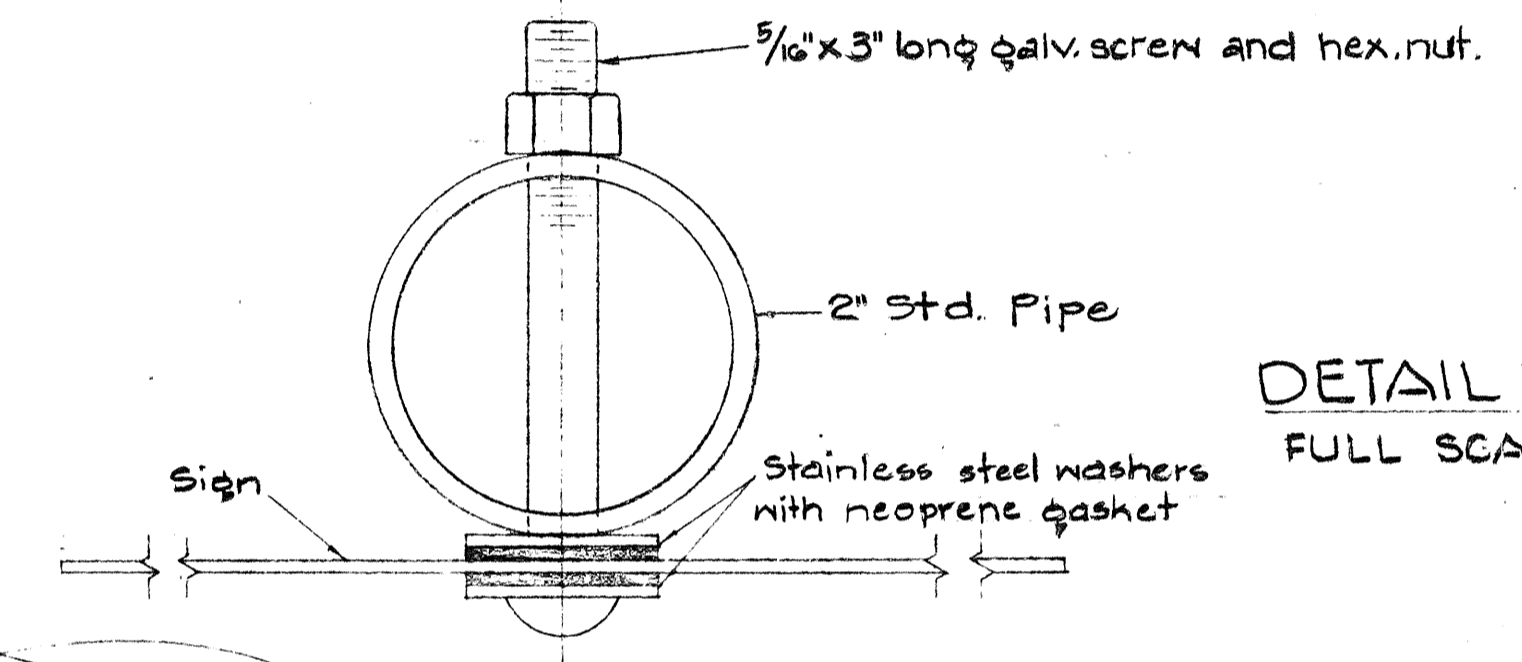
NOTE:
Use 2" Standard Pipe for Type "A" assembly.
Use 3" Standard Pipe for Type "B" assembly.



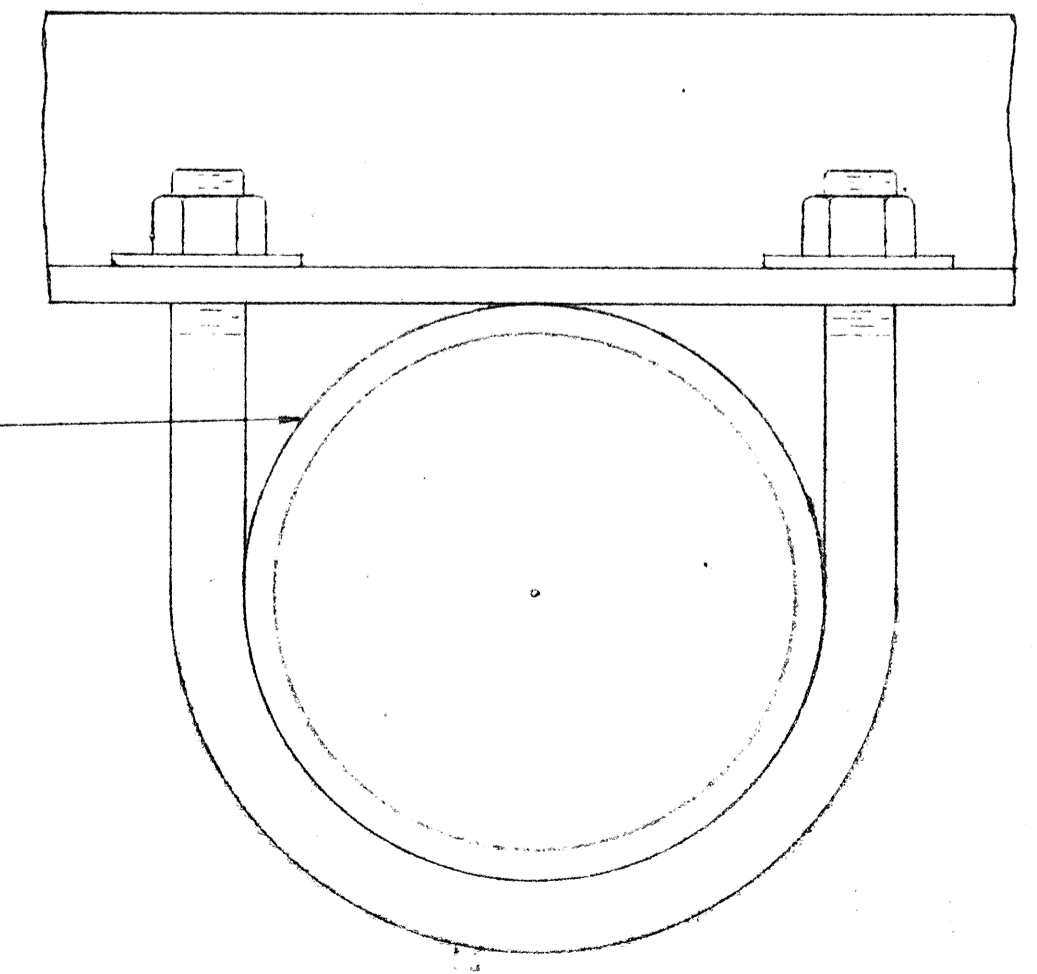
DETAIL "A"
FULL SCALE



DETAIL "B"
FULL SCALE



DETAIL "D"
FULL SCALE

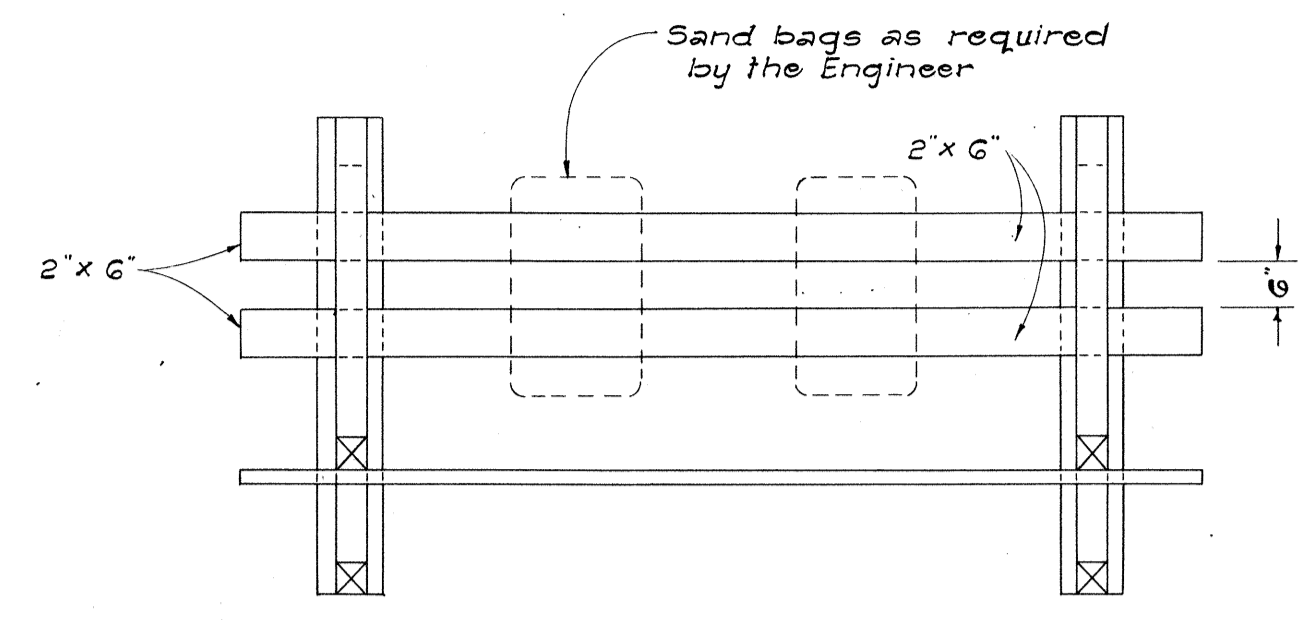


DETAIL "C"
FULL SCALE

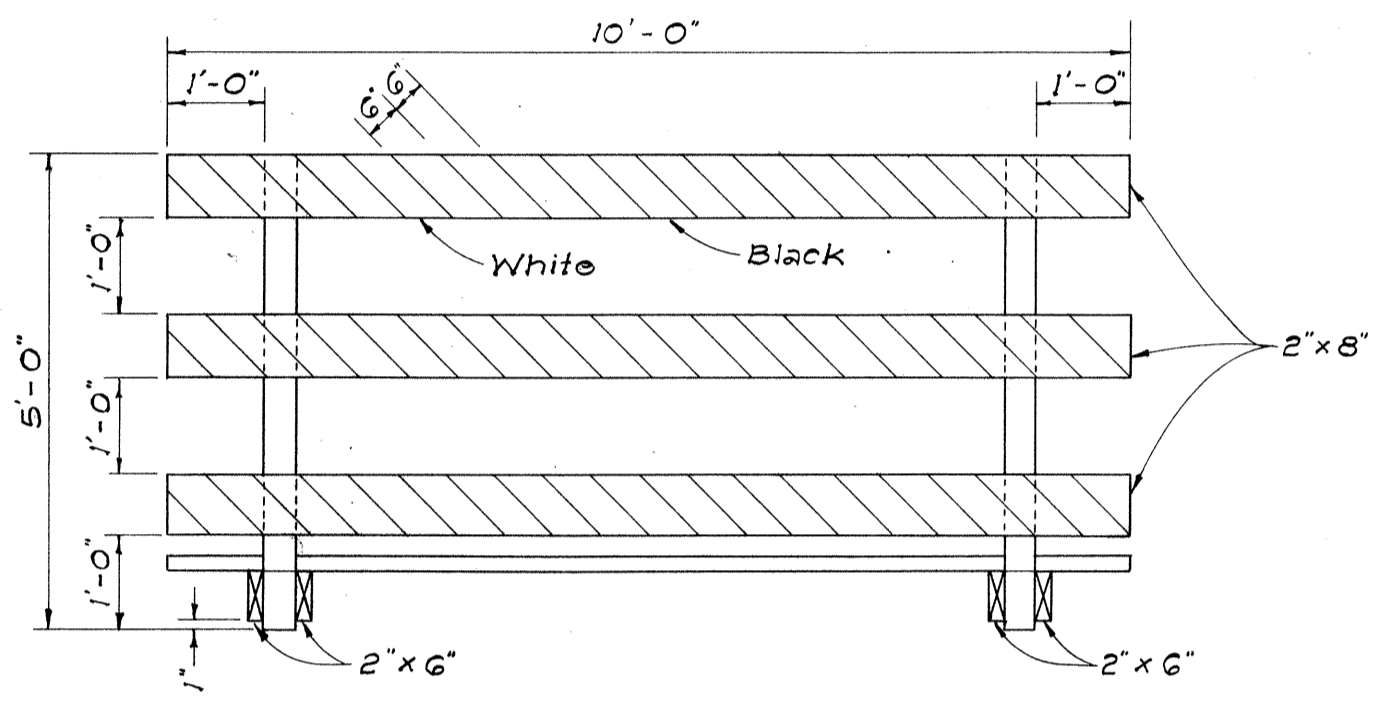
NOTE:
For height and lateral location of Route Marker Assembly, see Sheet No. 67

STATE OF HAWAII
DEPARTMENT OF TRANSPORTATION
HIGHWAYS DIVISION
**DETAILS OF
ROUTE MARKER ASSEMBLY**
Scale: As Noted

DATE: _____
SURVEY PLOTTED BY: _____
ORIGINAL PLAN: _____
DESIGNED BY: _____
NOTE BOOK: _____
QUANTITIES BY: _____
CHECKED BY: _____

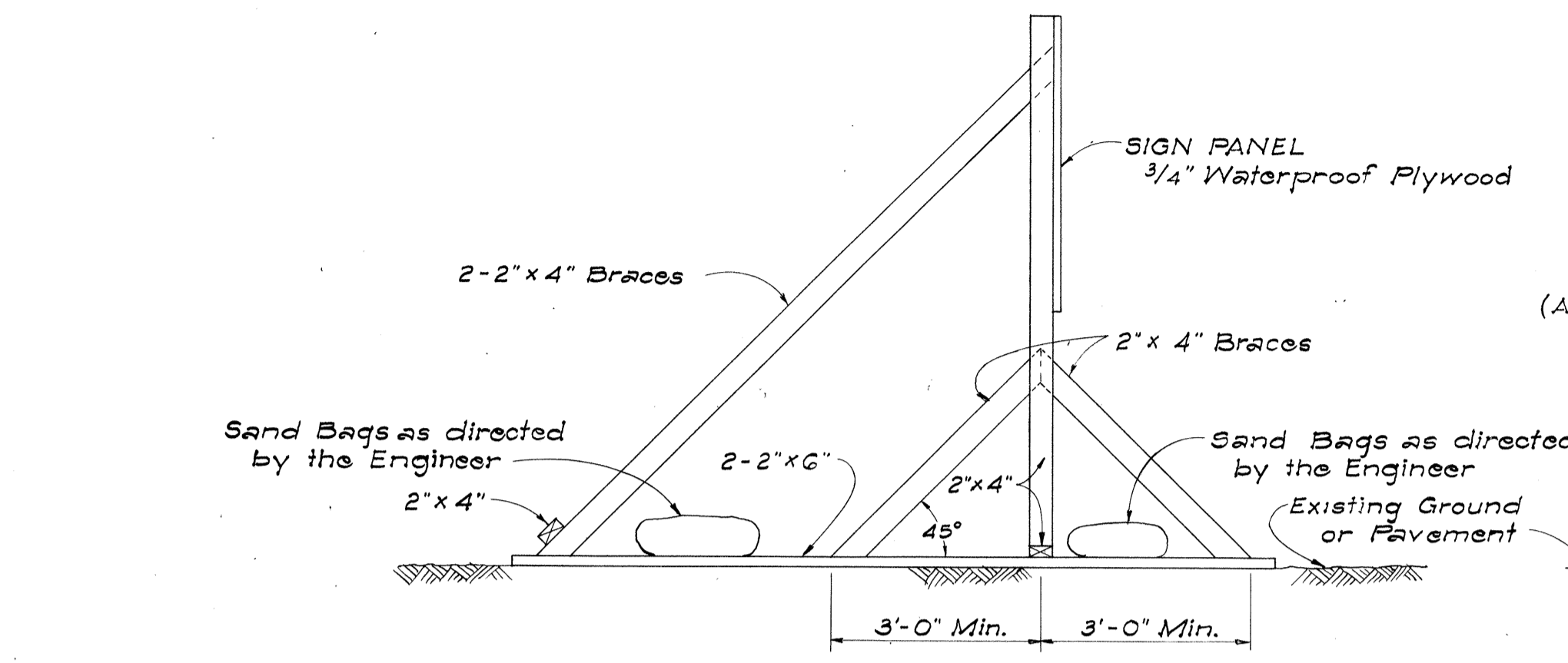


PLAN VIEW

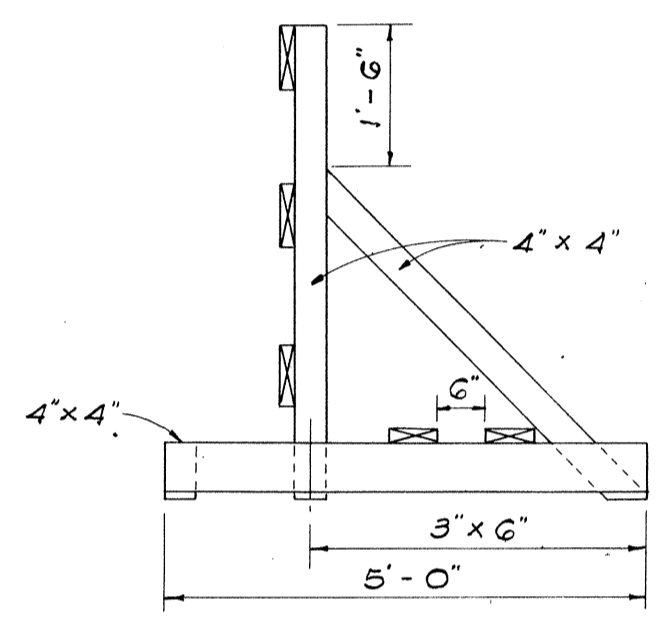


FRONT VIEW

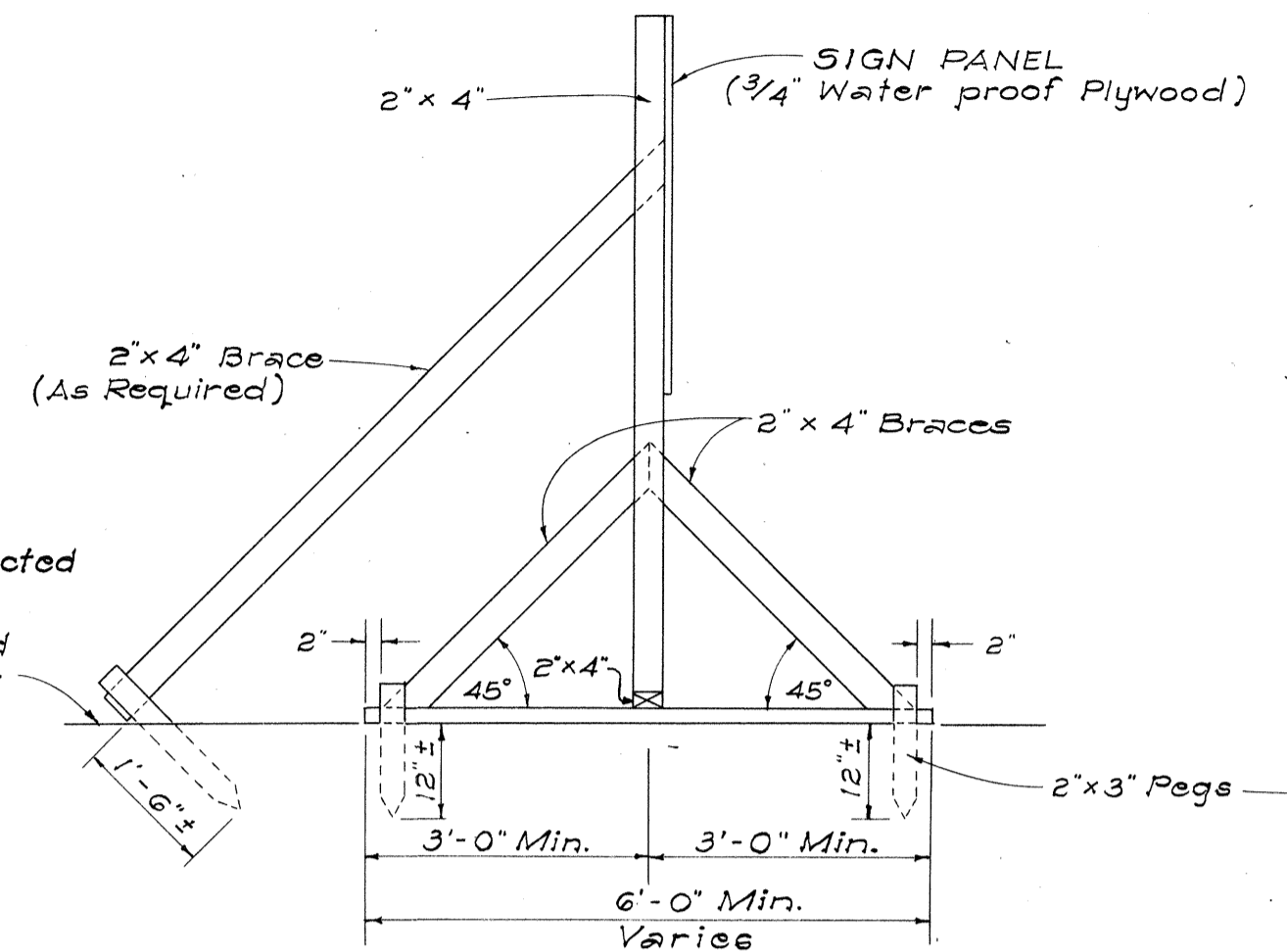
CLASS I BARRICADE



SIDE VIEW
(SIGN FRAME WEIGHTED DOWN)



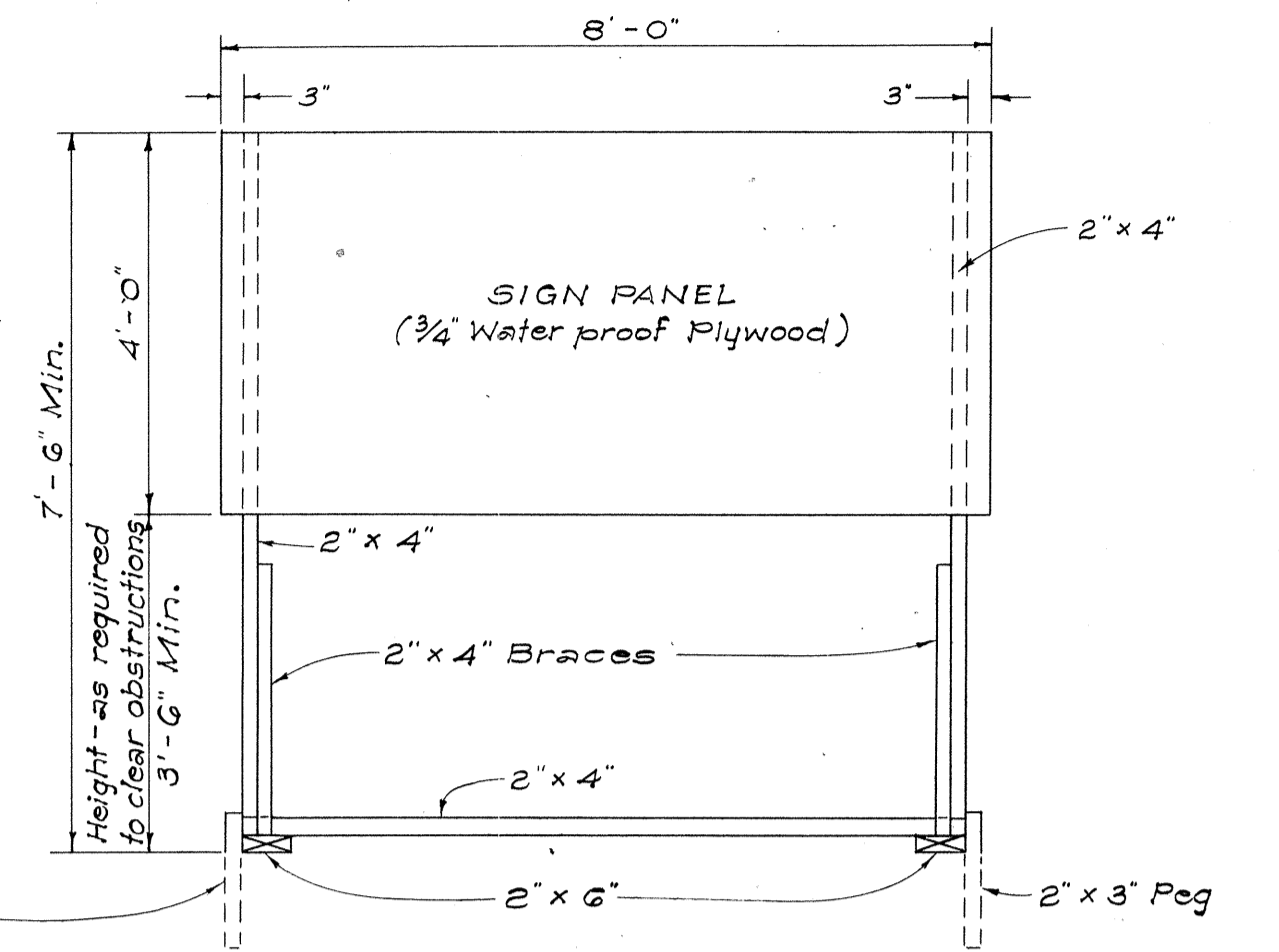
END VIEW



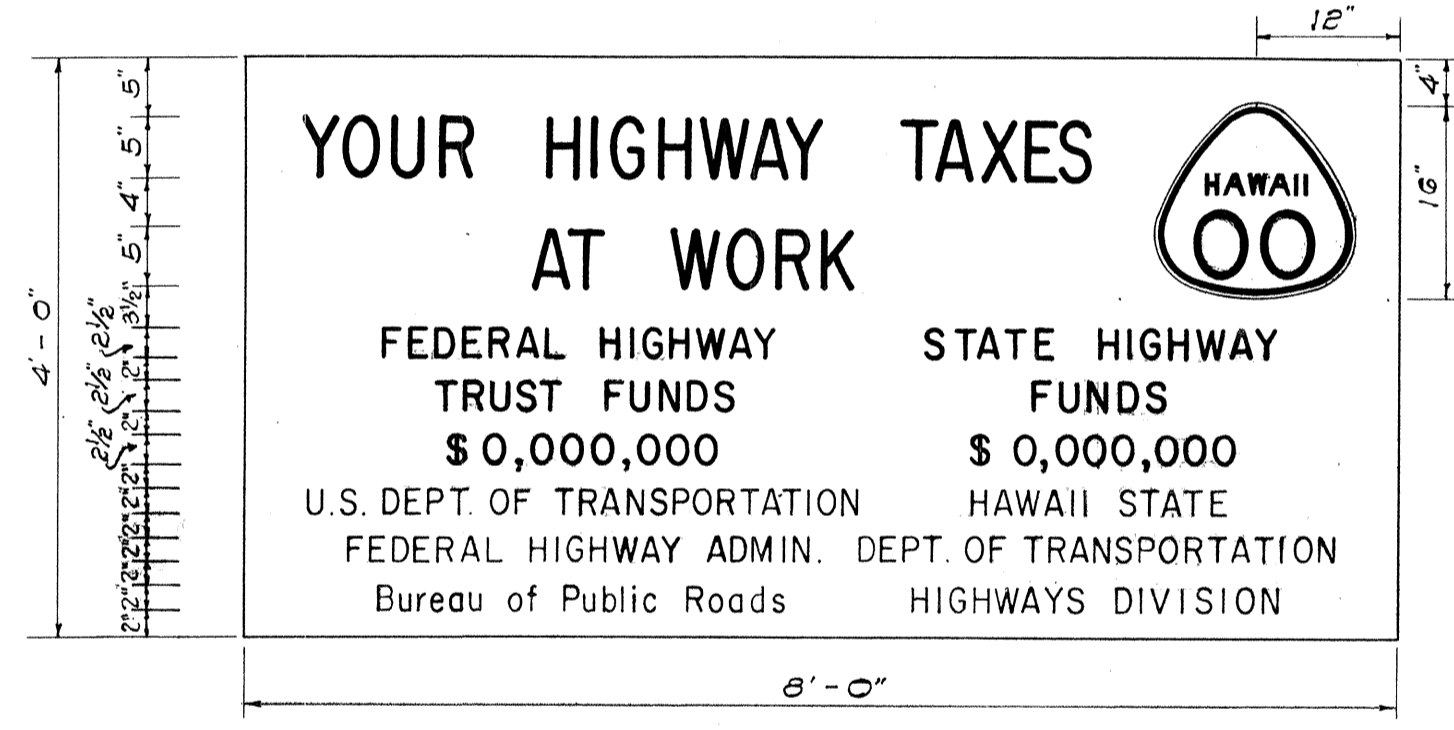
SIDE VIEW
(SIGN FRAME ANCHORED IN GROUND)

ELEVATIONS

Scale: 1/2" = 1'-0"



FRONT VIEW



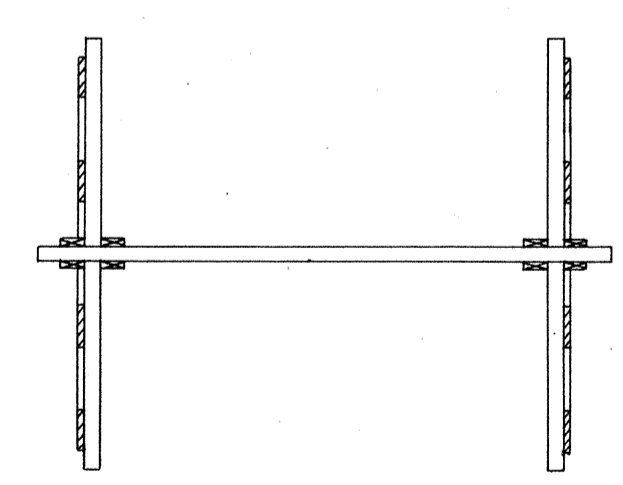
SIGN PANEL
Scale: 3/4" = 1'-0"

**PRIMARY AND SECONDARY SYSTEMS
CONSTRUCTION IDENTIFICATION SIGN**

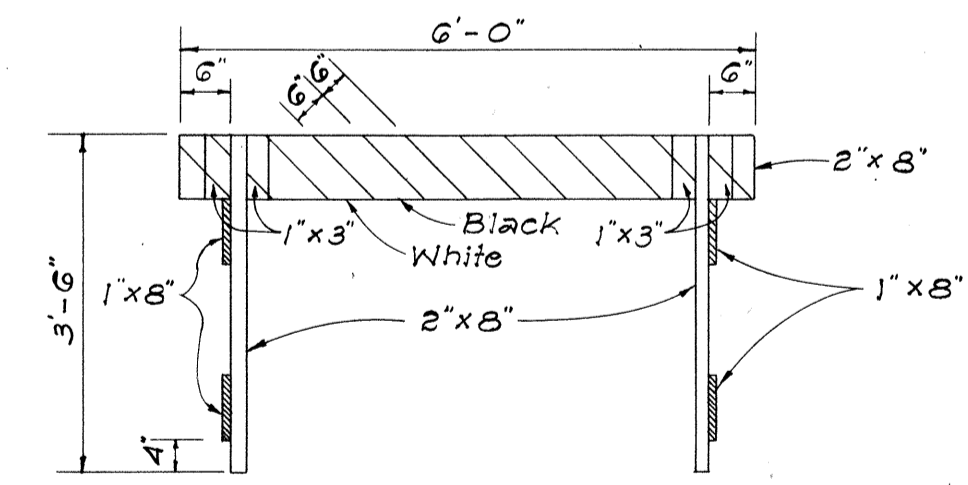
Scale: As Shown

NOTES:

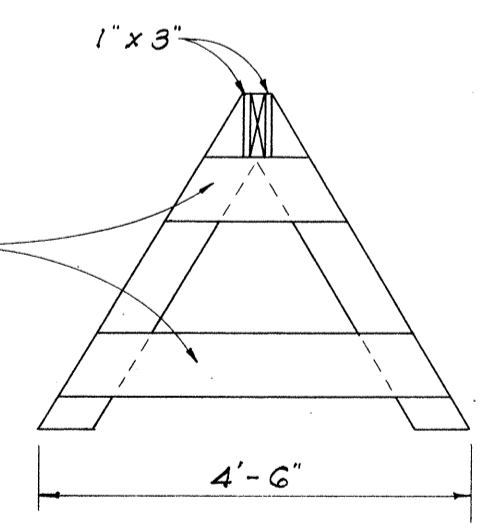
- A. CONSTRUCTION IDENTIFICATION SIGNS**
- The sign legend shall be black on white background.
 - The Contractor shall construct, install and maintain the project signs at the locations shown on the plans and as ordered by the Engineer.
 - The signs shall be removed and stockpiled upon completion of the project as ordered by the Engineer and are to become State property.
 - Letters shall be Series 'C' of the sizes shown on the plan and shall conform with the 'Standard Alphabet for Highway Signs', Bureau of Public Roads, 1952.
 - The Contractor shall fill in the proper numerals in place of ciphers as ordered by the Engineer.
- B. WOOD BARRICADES**
- The Contractor shall construct, install and maintain the wood barricades at the locations shown on the Plans.
 - The permanent wood barricades shall be left in place or relocated upon completion of the project as ordered by the Engineer and are to become State property.



PLAN VIEW



FRONT VIEW



END VIEW

CLASS II BARRICADE

Scale: 1/2" = 1'-0"

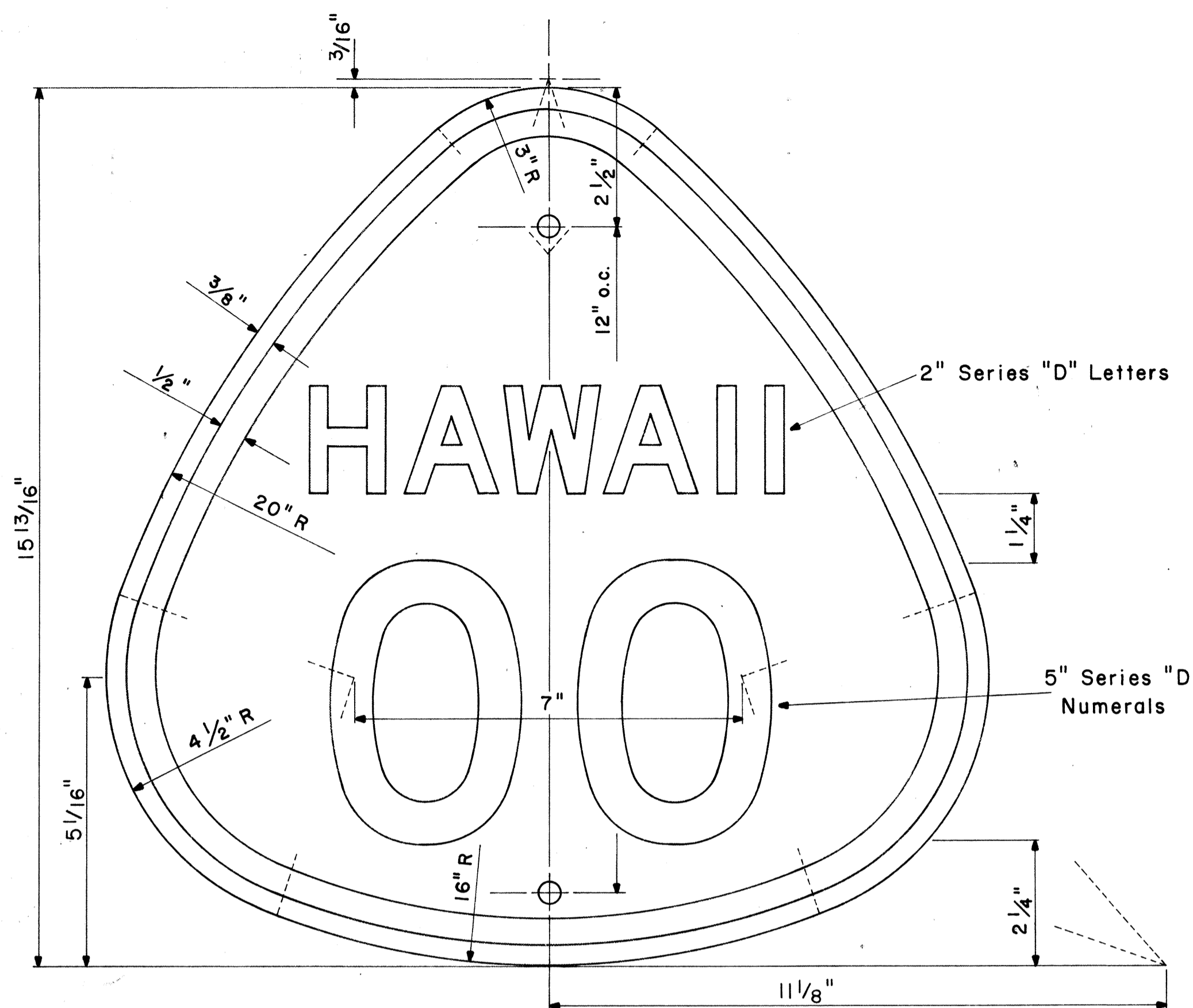
REVISED: October 2, 1967

STATE OF HAWAII
DEPARTMENT OF TRANSPORTATION
HIGHWAYS DIVISION
**TYPICAL DETAILS
CONSTRUCTION IDENTIFICATION SIGN
AND
WOOD BARRICADES**

SCALE: As Shown DATE:

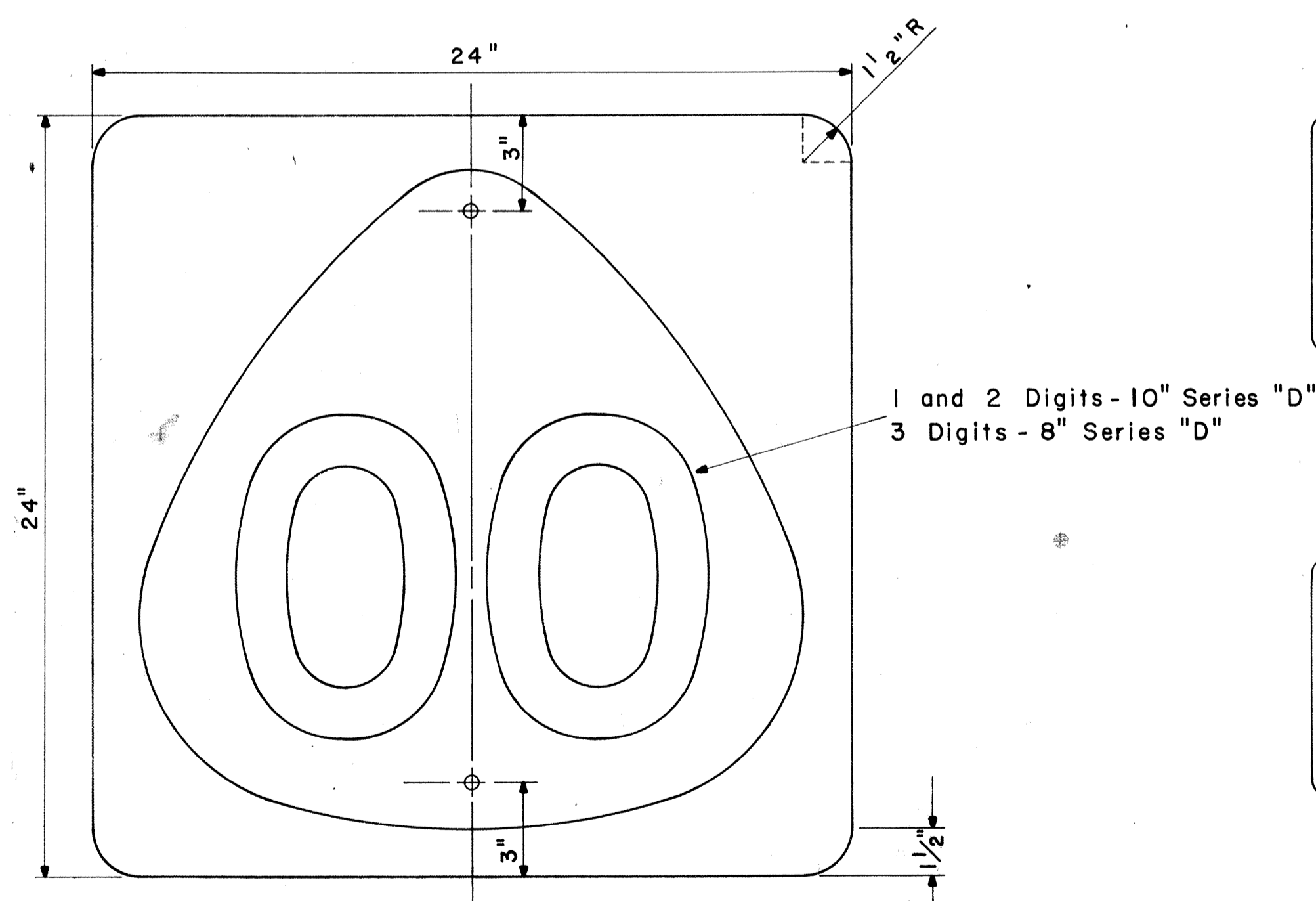
SHEET No. 7 OF 14 SHEETS

DATE: _____
SURVEY PLOTTED BY: _____
DRAWN BY: _____
CHECKED BY: _____
NOTE BOOK No. _____



**STATE ROUTE MARKER
MI-3(00)**

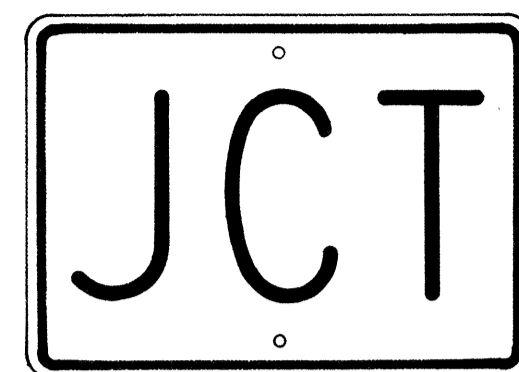
Scale: 1/2" = 1"



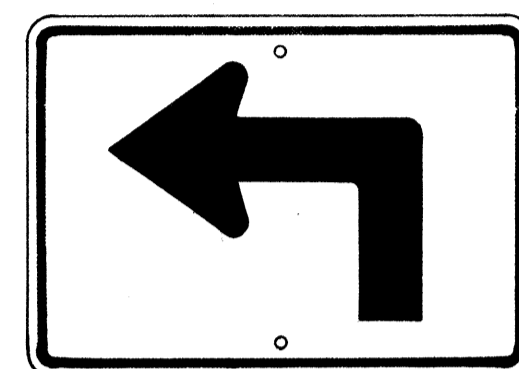
**STATE ROUTE MARKER
MI-4(00)**

Scale: 1/4" = 1"

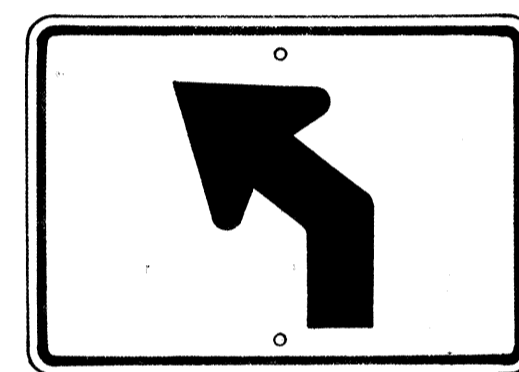
NOTE:
Multiply all dimensions of State Route Marker MI-3 by 1.3 for the dimensions of the shield for MI-4.



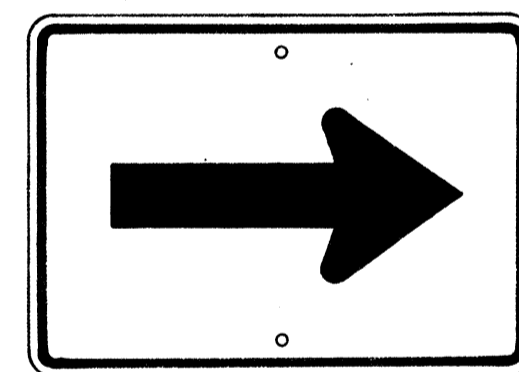
M2-1
21" x 15"



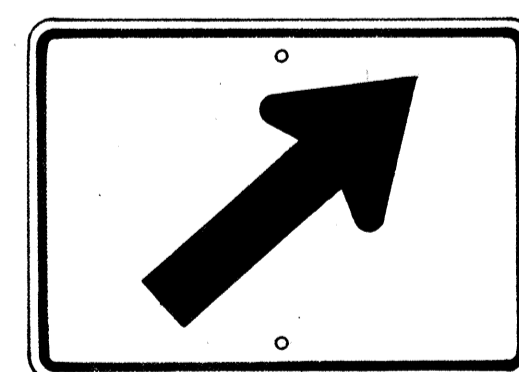
M3-1-L
* M3-1-R
21" x 15"



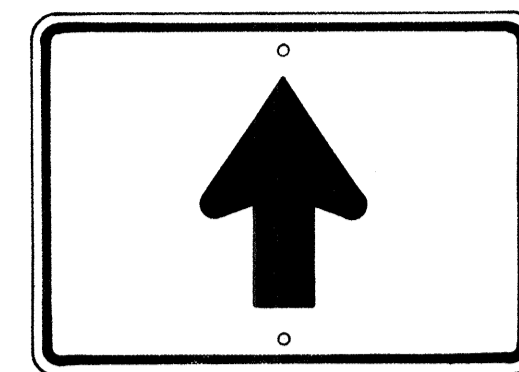
M3-2-L
* M3-2-R
21" x 15"



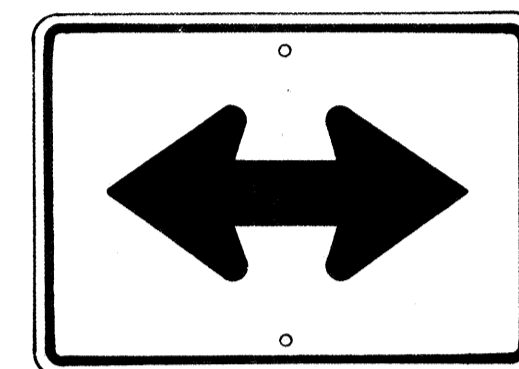
M4-1
21" x 15"



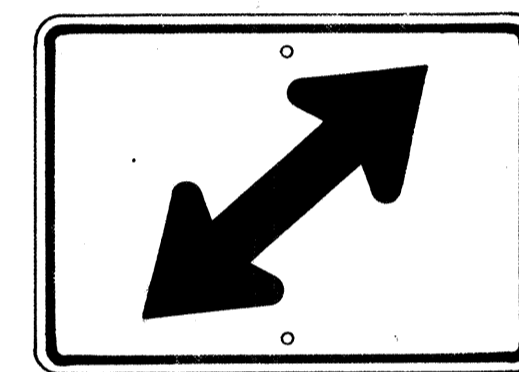
M4-2-R
* M4-2-L
21" x 15"



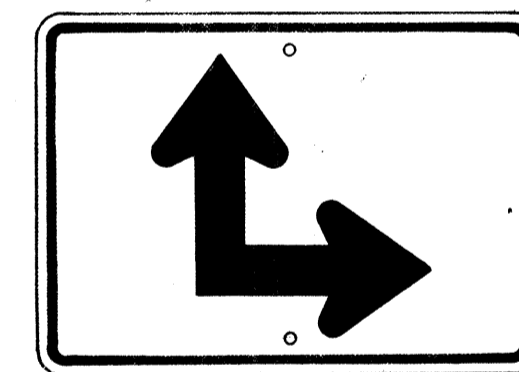
M4-3
21" x 15"



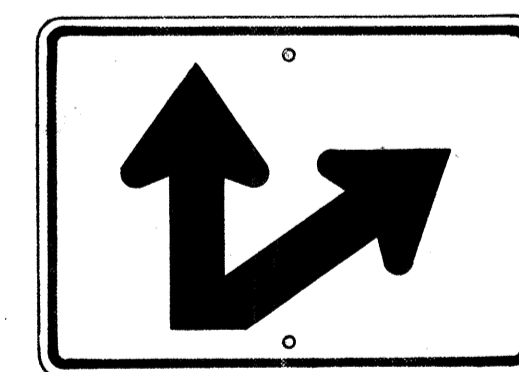
M4-4
21" x 15"



M4-5-R
* M4-5-L
21" x 15"



M4-6-R
* M4-6-L
21" x 15"

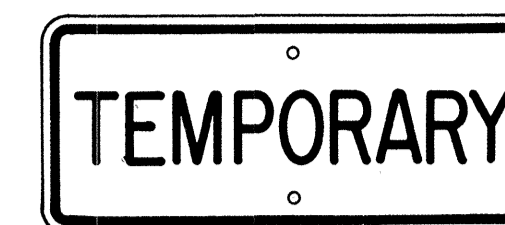


M4-7-R
* M4-7-L
21" x 15"

AUXILIARY MARKERS

Scale: 1/8" = 1"

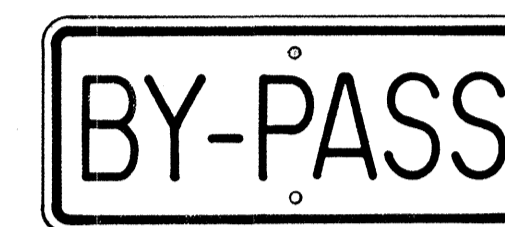
* NOTE:
Signs shall be similar but opposite in direction.



M5-1
21" x 9"



M5-2
21" x 9"



M5-3
21" x 9"



M5-4
21" x 9"



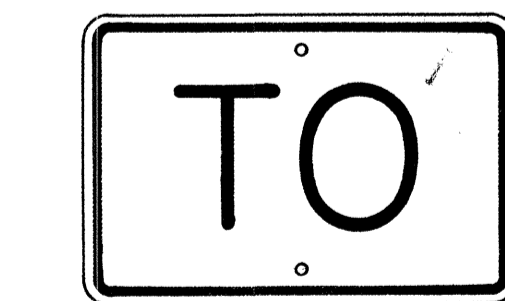
M5-5
21" x 9"



M5-6
21" x 9"



M6-1-N
21" x 9"
(See Note 6)



M7-1
18" x 12"

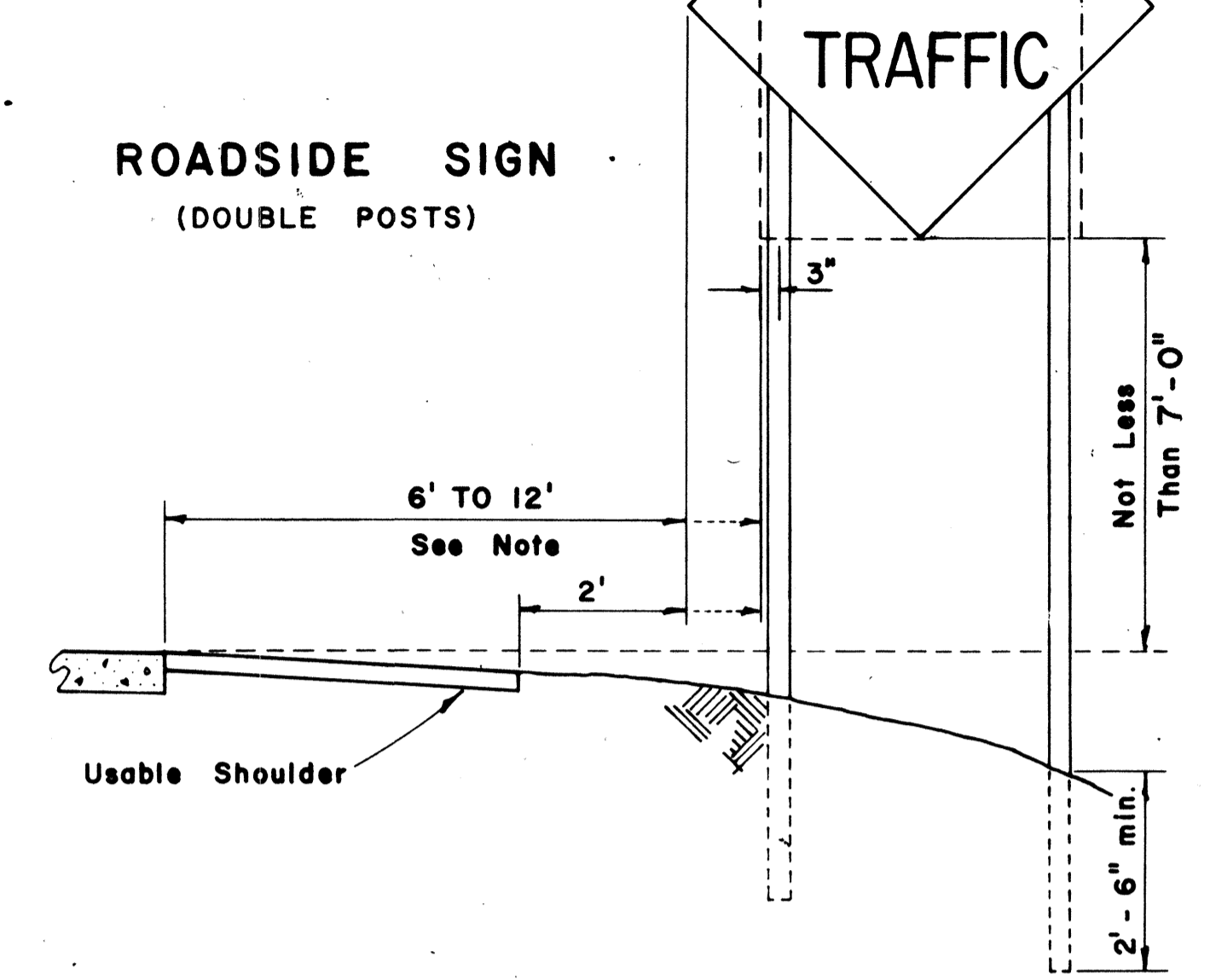
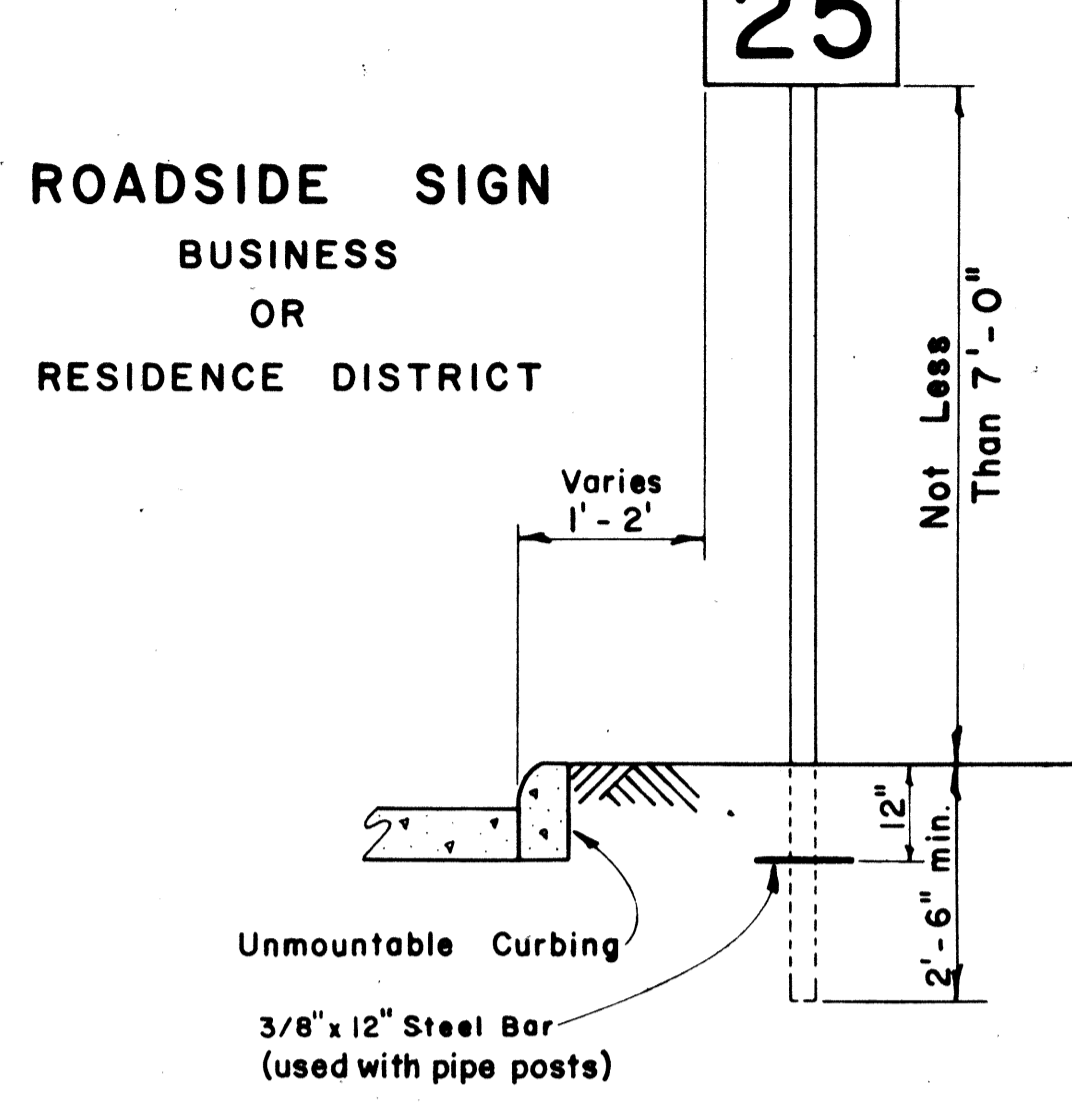
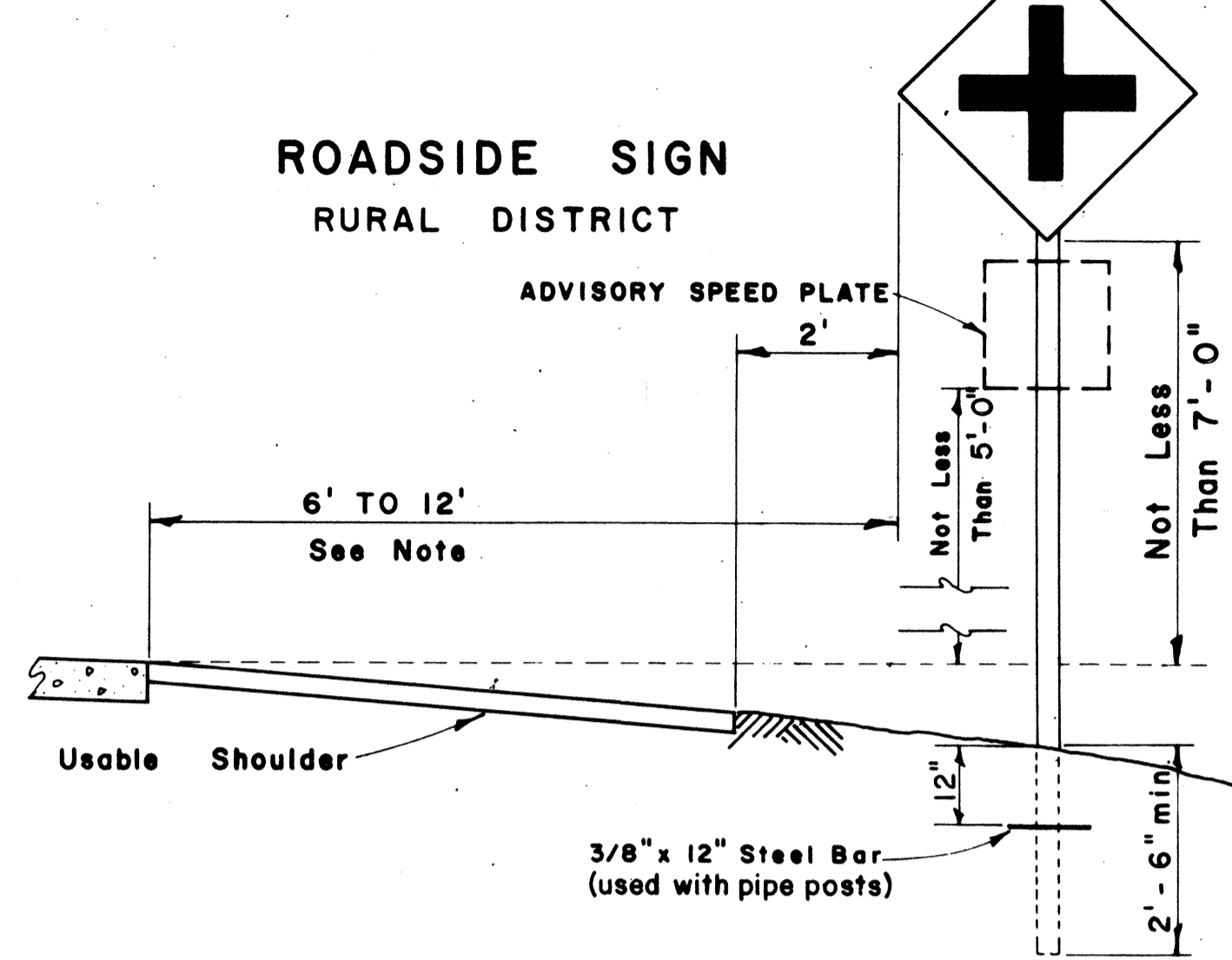
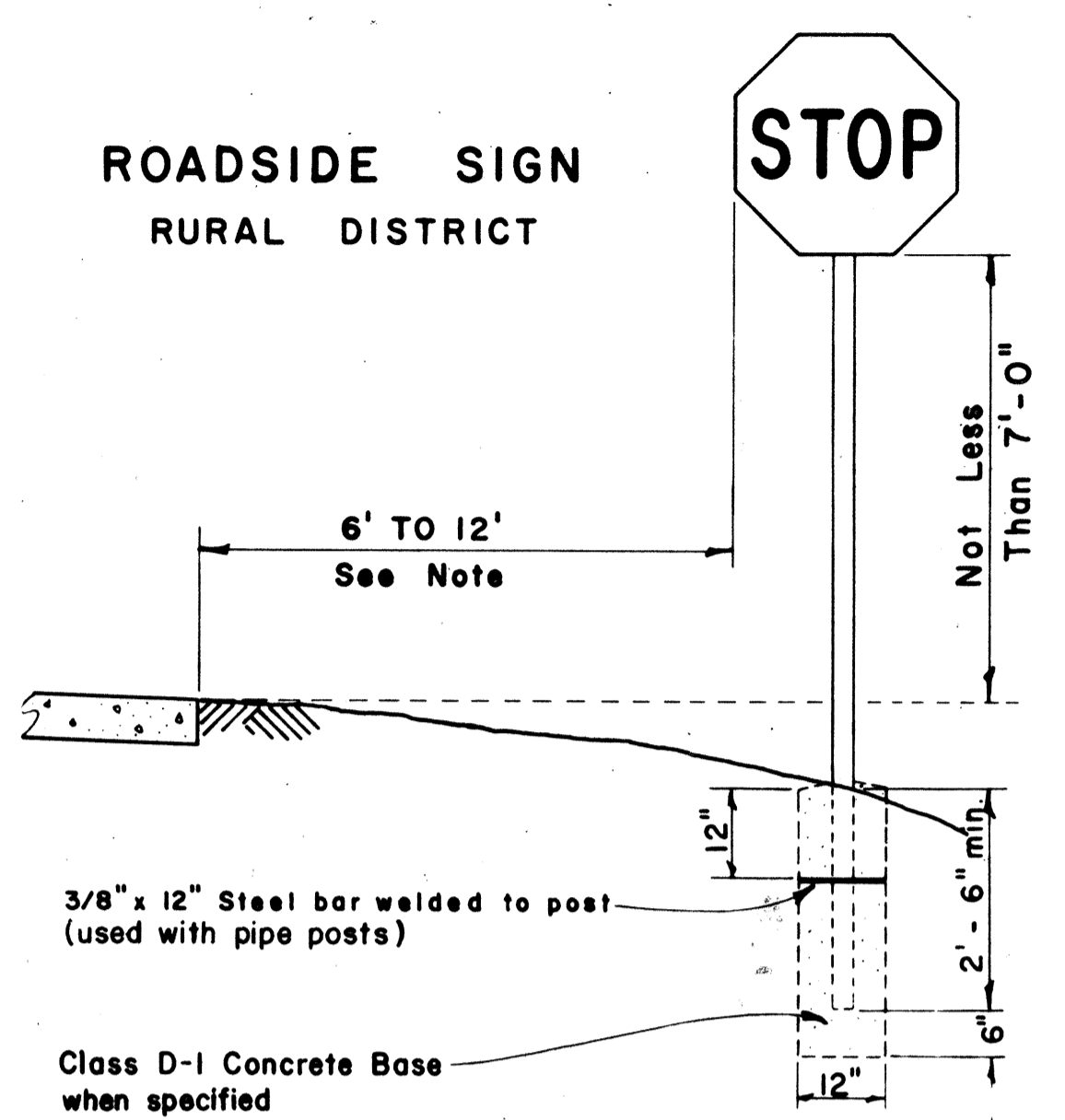
GENERAL NOTES

- The shape, color, dimensions, symbols, wording, lettering and reflectorizing of all signs shall be in accordance with the "Manual on Uniform Traffic Control Devices for Streets and Highways," dated June 1961 and the BPR manual "Standard Highway Signs," dated September 1961, unless otherwise specified.
- All letters and figures shall conform to the manual "Standard Alphabets for Highway Signs," Dept. of Commerce, Bureau of Public Roads, 1952.
- All markers shall be reflectorized unless otherwise specified.
- All markers shall have 3/8" bolt holes drilled at appropriate locations unless otherwise specified.
- All markers shall have a black legend on a white background unless otherwise specified.
- Sign message of Cardinal Direction Marker (M6-1) shall be denoted by the following suffixes:
M6-1-N : NORTH
M6-1-E : EAST
M6-1-S : SOUTH
M6-1-W : WEST
- Auxiliary markers denoted with the suffix "I" (M4-1-I) shall have a white legend on a blue background.
- Cardinal Direction Marker (M6-1) with suffix I(3) shall have a white legend on a blue background and shall be 30" x 15" in size.
- For MI-3 and MI-4 signs, number in () indicates route number and shall be as shown on the plan.

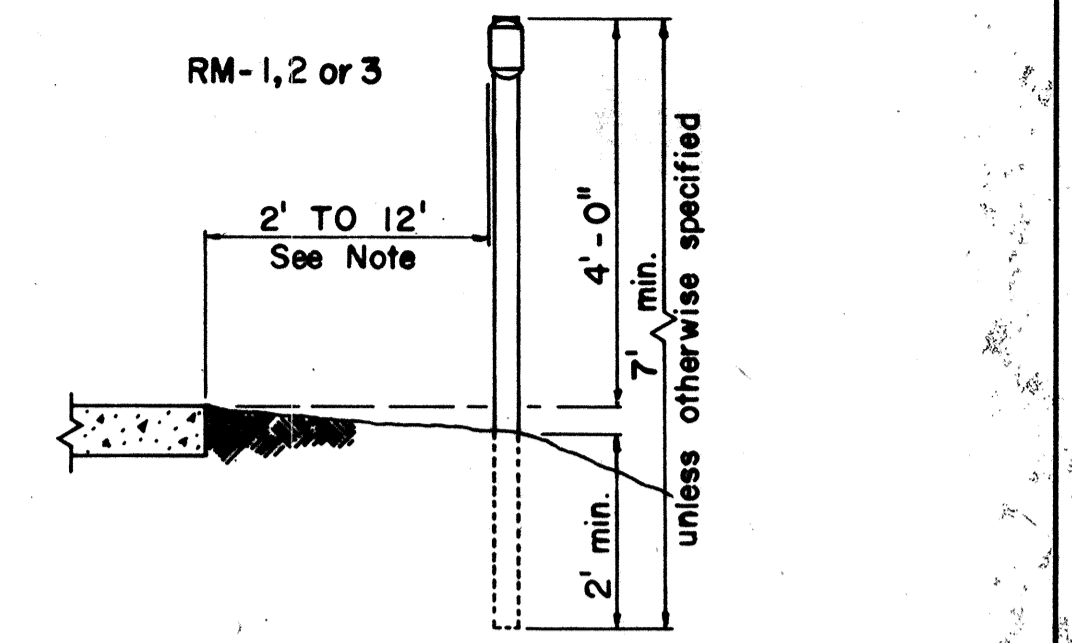
STATE OF HAWAII
DEPARTMENT OF TRANSPORTATION
HIGHWAYS DIVISION
STANDARD DETAILS
STATE ROUTE MARKERS,
AND
AUXILIARY MARKERS
Scale: As Noted
SHEET NO 8 OF 14 SHEETS

NOTE:

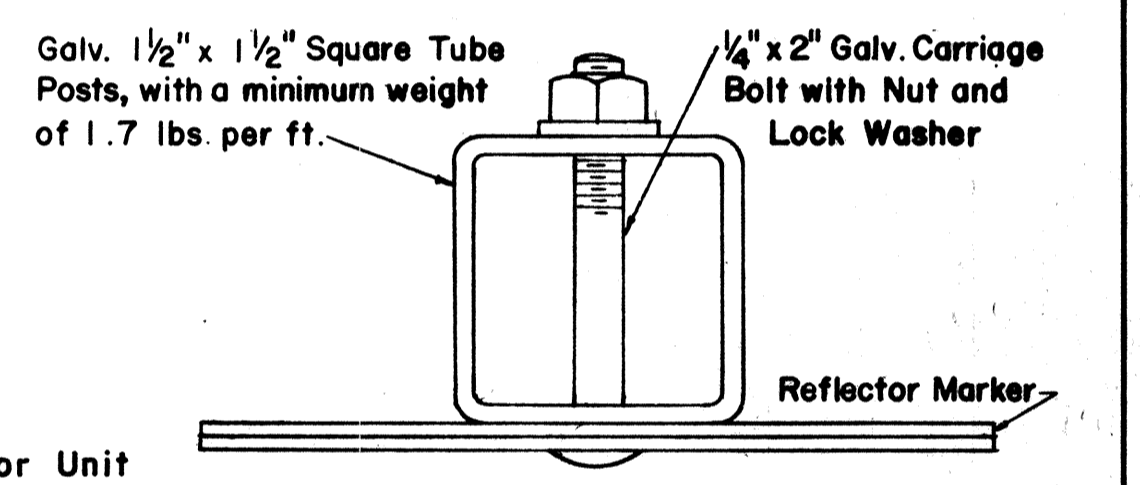
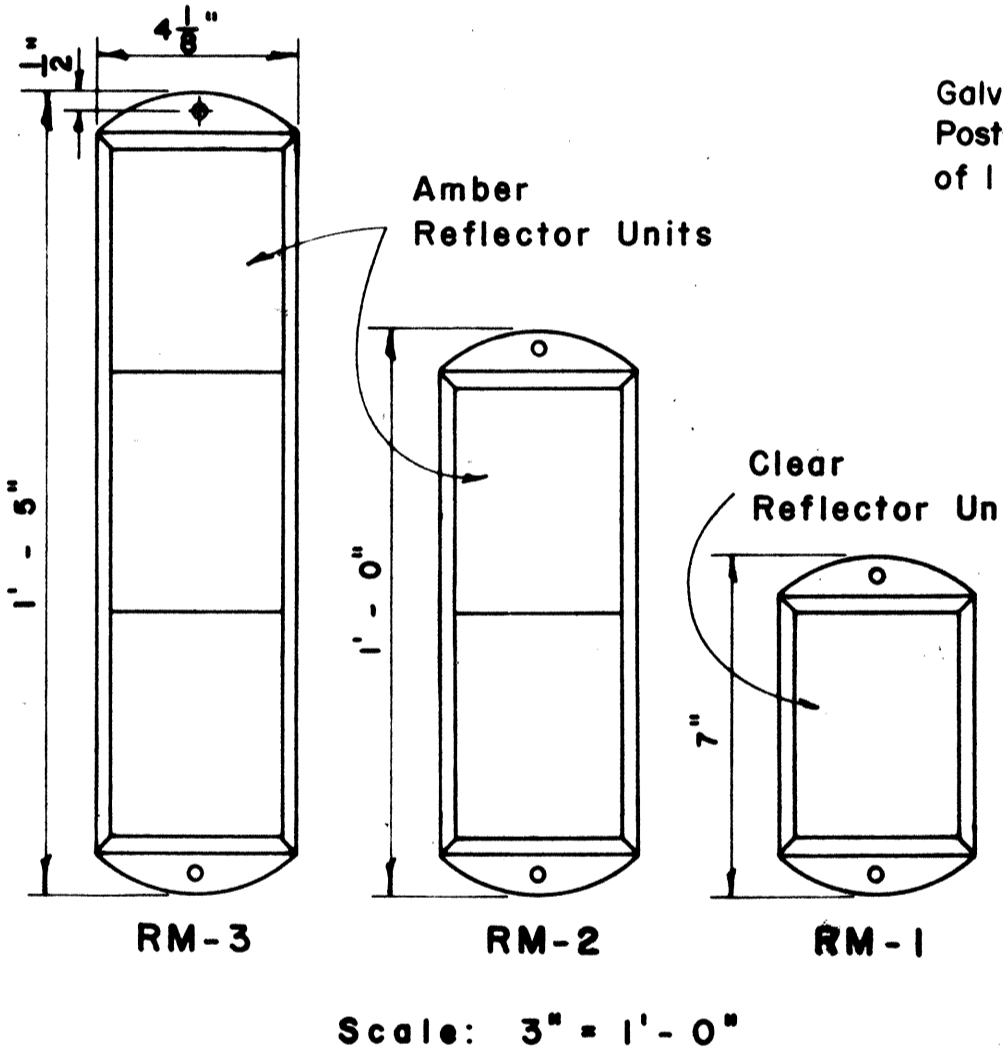
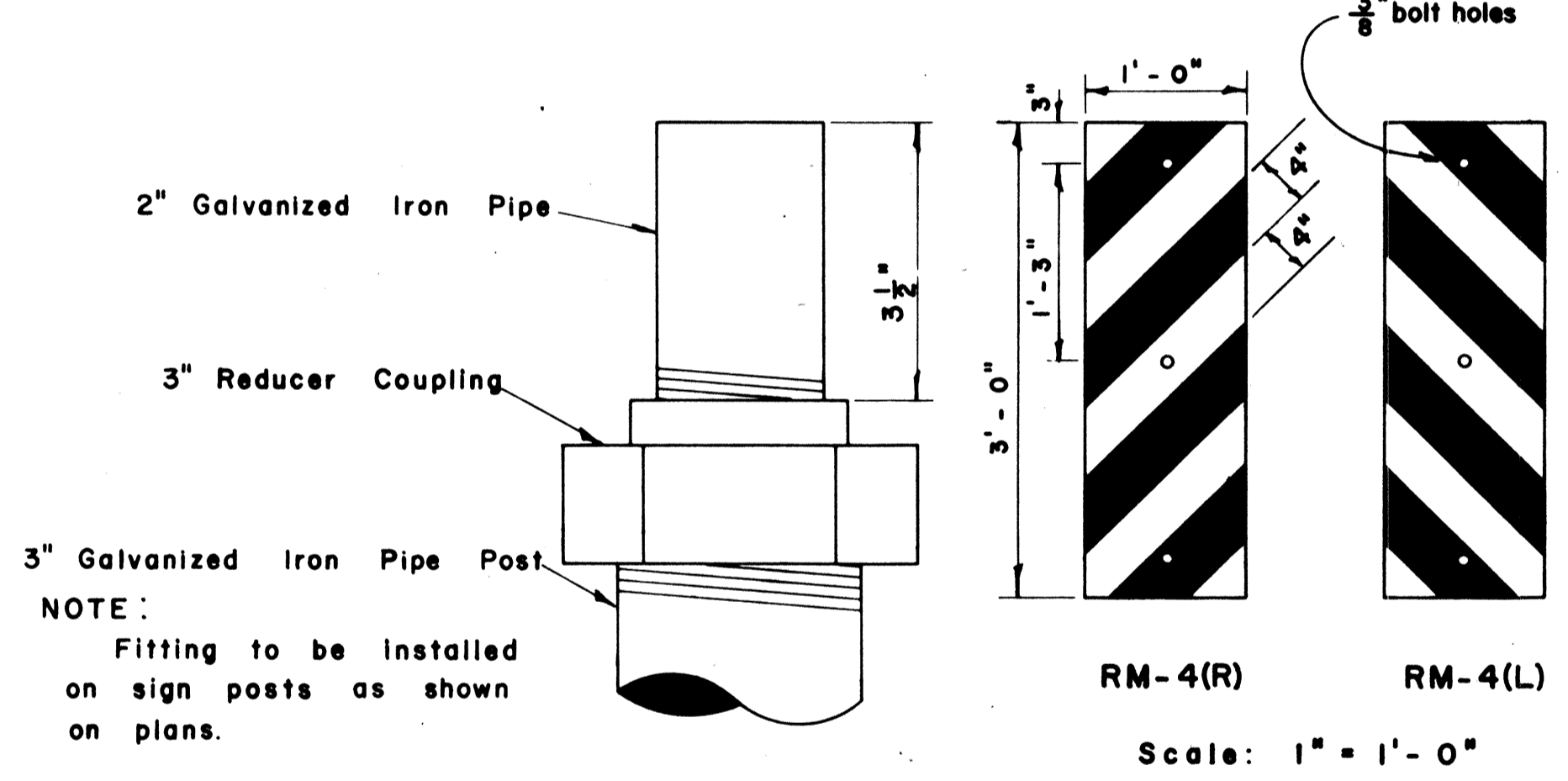
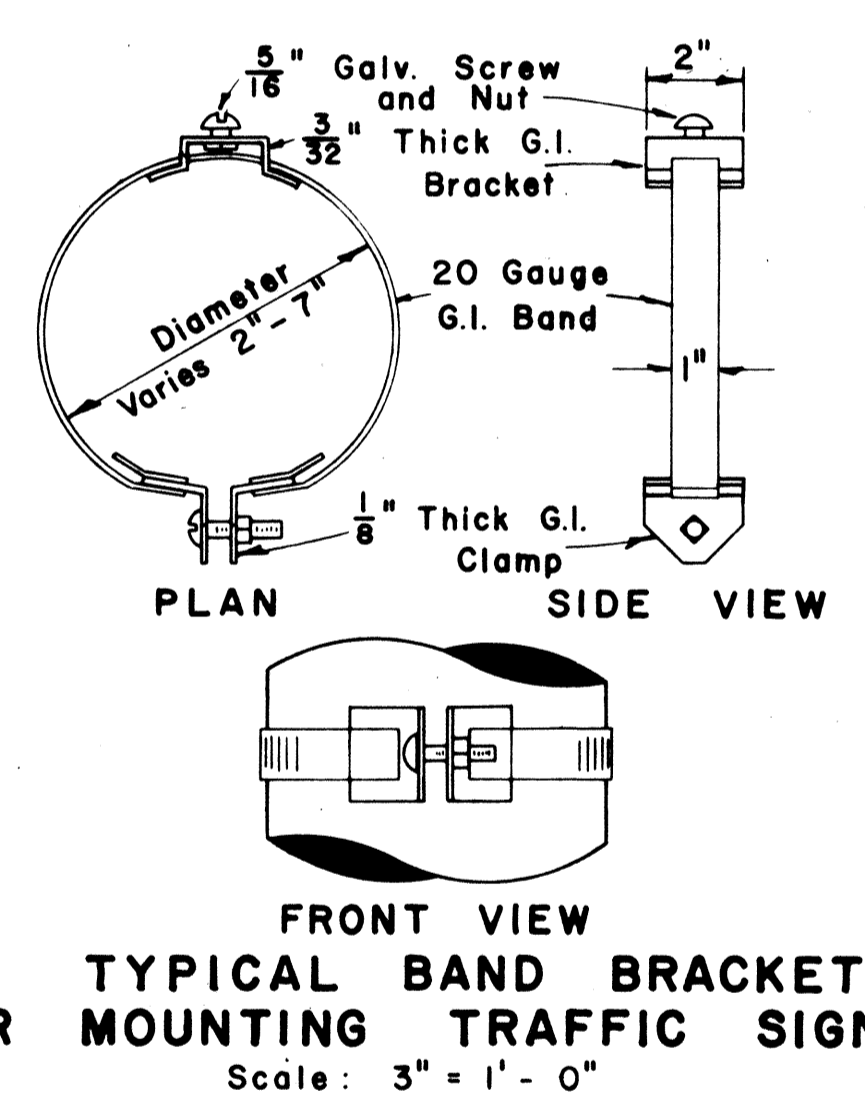
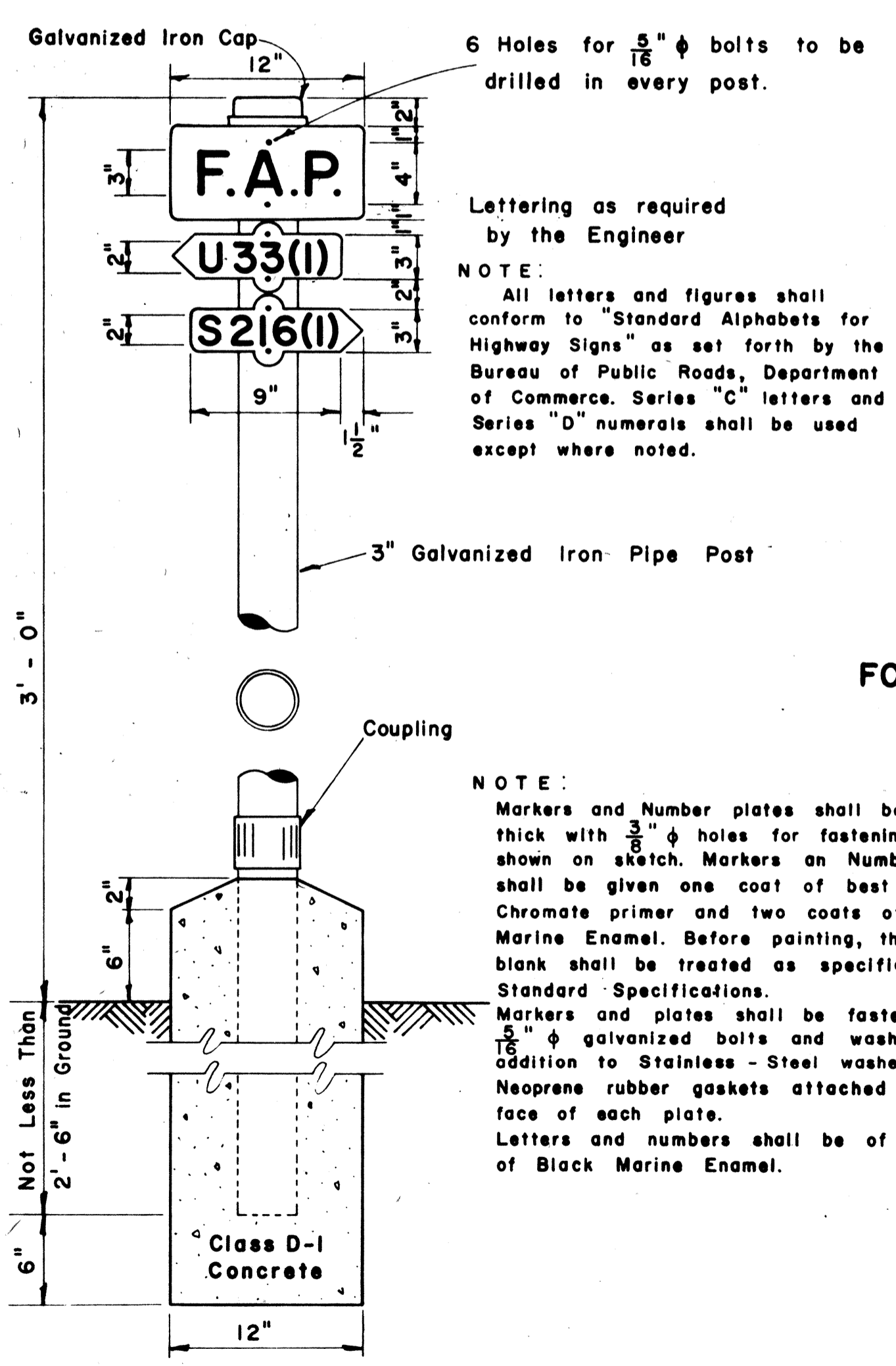
- All signs and road delineators shall be placed 2' outside the usable roadway shoulder or 1' outside unmountable curbing present and within the limits shown below.
- Except as noted below, sign posts shall be either 3" galv. std. pipe or 2 1/2" galv. square tube posts for signs larger than 24" in any dimension; 2" galv. std. pipe or 2" x 2" galv. square tube posts for signs 24" or less in any dimension.
- Sign shall be attached to post with 5/16" galvanized bolts with nuts and 7/8" x 7/8" x .120" stainless-steel washers with neoprene rubber gasket.
- Clearance Markers (RM-3, RM-4) shall be installed with the inside edge of the marker in line with the inner edge of the obstruction.
- Signs 48" and wider or larger than 10 sq. ft. in area shall be mounted on two 3" galv. std. pipe or two 2 1/2" x 2 1/2" galv. square tube posts.



FED. ROAD DIST. NO.	STATE	FED. AID PROJ. NO.	FISCAL YEAR	SHEET NO.	TOTAL SHEETS
HAWAII	HAW.	F-083-1(2) Unit 7	1967	67	83

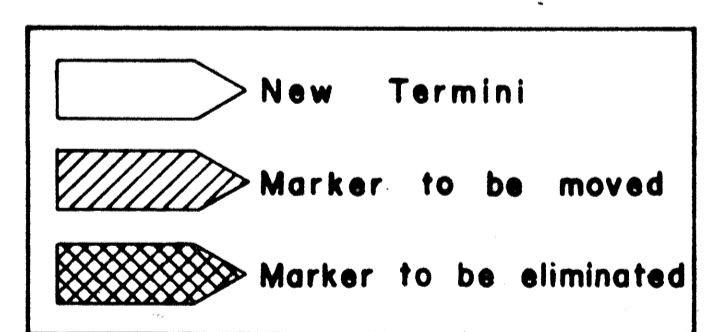
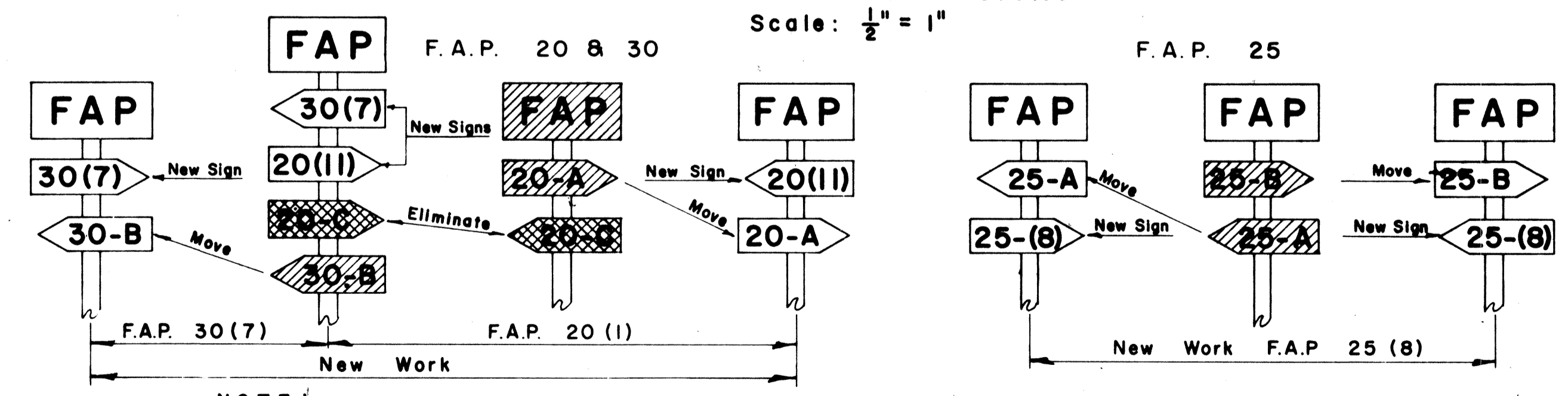


HEIGHT AND LATERAL LOCATION OF SIGNS - TYPICAL INSTALLATIONS



NOTE:

Reflector Markers RM-1,2,3 shall be glass sphere reflector markers with 4" x 5" reflector units (as shown) or plastic prismatic reflector markers with 3" diameter reflector units.



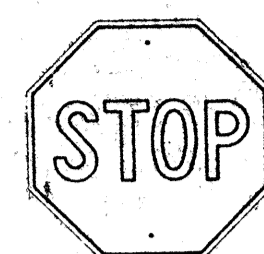
APPROVED: _____ DATE: 1/27/67

DIRECTOR OF TRANSPORTATION

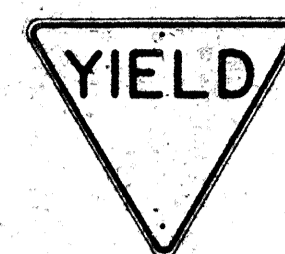
JANUARY 27, 1967
DECEMBER 8, 1964
REVISED: FEBRUARY 25, 1964

STATE OF HAWAII
DEPARTMENT OF TRANSPORTATION
HIGHWAYS DIVISION
STANDARD DETAILS
F. A. MARKER
AND
MISCELLANEOUS SIGN
DETAILS

Scale: As Shown



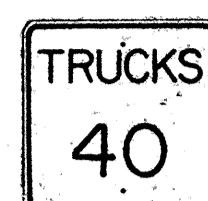
R1-1 30" x 30"



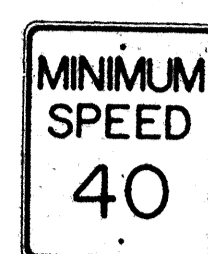
R1-2 36" x 36" x 36"
R1-2-E 48" x 48" x 48"
R1-2-I 60" x 60" x 60"



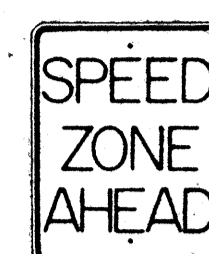
R2-1(50) 24" x 30"
R2-1(50)-E 36" x 48"
R2-1(50)-I 48" x 60"



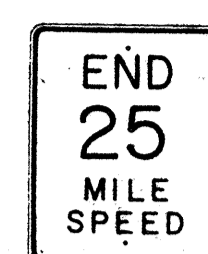
R2-2(40) 24" x 24"
R2-2(40)-E 36" x 36"
R2-2(40)-I 48" x 48"



R2-4(40) 24" x 30"
R2-4(40)-E 36" x 48"
R2-4(40)-I 48" x 60"



R2-5 24" x 30"
R2-5-E 36" x 48"
R2-5-I 48" x 60"



R2-6(25) 24" x 30"
R2-6(25)-E 36" x 48"
R2-6(25)-I 48" x 60"



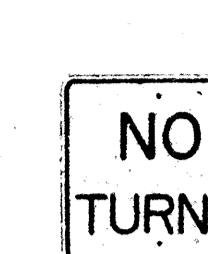
R2-7 24" x 30"
R2-7-E 36" x 48"
R2-7-I 48" x 60"



R3-1 24" x 30"
R3-1-E 36" x 48"



R3-2 24" x 30"
R3-2-E 36" x 48"



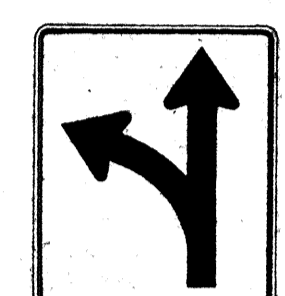
R3-3 24" x 24"



R3-4 24" x 30"
R3-4-E 36" x 48"
R3-4-I 48" x 60"



R3-5(L) 30" x 36"



R3-6(L) 30" x 36"



R3-7(R) 30" x 30"



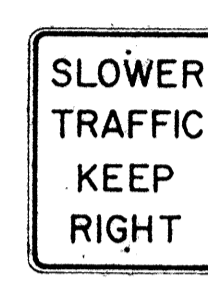
R3-8(L) 30" x 30"



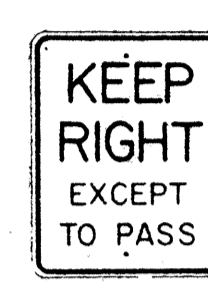
R4-1 24" x 30"



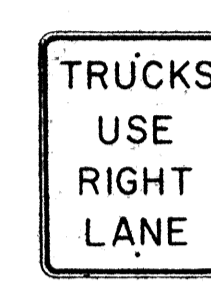
R4-2 24" x 30"



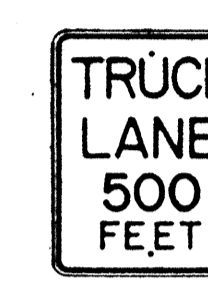
R4-3 24" x 30"
R4-3-E 36" x 48"
R4-3-I 48" x 60"



R4-4 24" x 30"
R4-4-E 36" x 48"
R4-4-I 48" x 60"



R4-5 24" x 30"
R4-5-E 36" x 48"



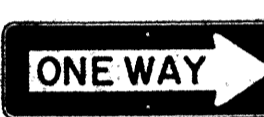
R4-6 24" x 30"
R4-6-E 36" x 48"



R4-7(R) 24" x 30"
R4-7(R)-E 36" x 48"



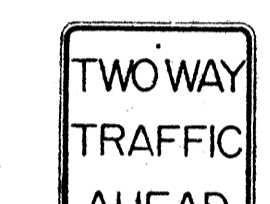
R5-1 24" x 24"



R6-1(R) 36" x 12"



R6-2(R) 18" x 24"



R6-3 24" x 30"



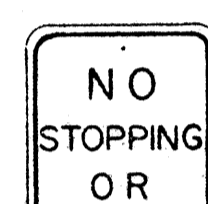
R6-4 24" x 30"



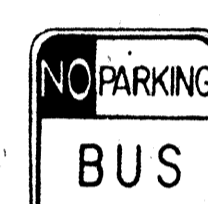
R6-5 24" x 30"



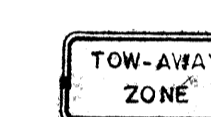
R7-1 12" x 18"



R7-4 12" x 18"
R7-4-E 24" x 30"



R7-107(R) 12" x 18"



R7-201 12" x 6"



R8-1 24" x 30"
R8-1-E 36" x 48"
R8-1-I 48" x 60"



R8-2 24" x 30"
R8-2-E 36" x 48"



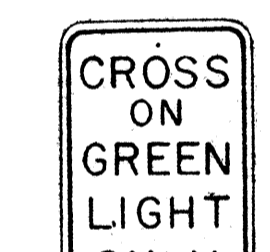
R8-3 24" x 30"
R8-3-E 36" x 48"



R8-4 24" x 30"
R8-4-E 36" x 48"
R8-4-I 48" x 36"



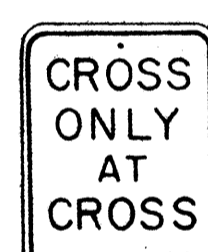
R9-1 18" x 24"



R9-2 12" x 18"



R9-3 12" x 18"



R9-4 12" x 18"



R9-5 12" x 18"



R9-6 9" x 12"



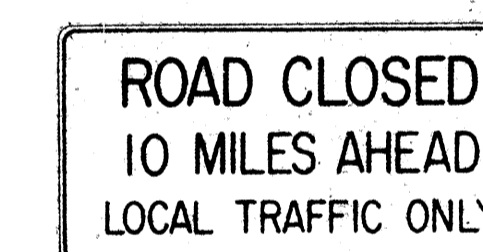
R9-7 9" x 12"



R10-1 24" x 30"
R10-1-E 36" x 48"
R10-1-I 48" x 60"



R10-2 48" x 30"



R10-3(10) 60" x 30"



R10-4(10) 18" x 24"

NOTE:

- The shape, color, dimensions, symbols, wording, lettering and reflectorization of all signs shall be in accordance with the "Manual on Uniform Traffic Control Devices for Streets and Highways," dated June 1961 and the BPR manual "Standard Highway Signs," dated September 1961 unless otherwise specified.
- All regulatory signs shall be reflectorized unless otherwise specified.
- All regulatory signs shall have $\frac{3}{8}$ " bolt holes drilled at appropriate locations unless otherwise noted.
- The suffix "E" denotes Expressway signs and "I" denotes Interstate signs.
- For R2 signs, number in () indicates speed and shall be as shown on the plans.
- (R) or (L) indicates right or left and shall be as shown on the plans.
- For R10-4 sign, number in () indicates weight and shall be as shown on the plan.

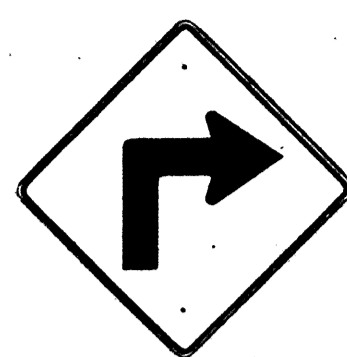
STATE OF HAWAII
DEPARTMENT OF TRANSPORTATION
HIGHWAYS DIVISION

**STANDARD DETAILS
REGULATORY SIGNS**

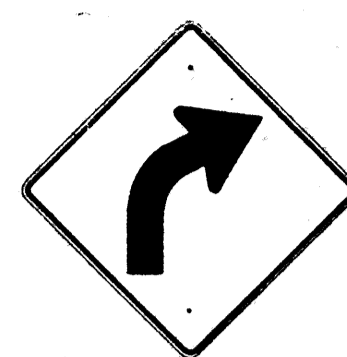
NOT TO SCALE

SHEET No. 10 OF 14 SHEETS

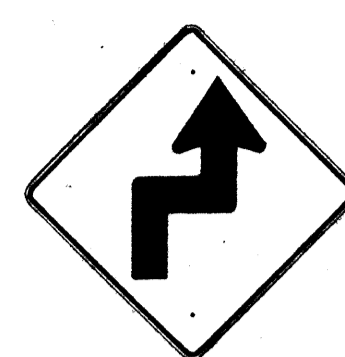
SURVEY PLOTTED BY: _____ DATE: _____
DRAWN BY: _____
DESIGNED BY: _____
QUANTITIES BY: _____
CHECKED BY: _____
No. _____



WI-1(R) 30" x 30"



WI-2(R) 30" x 30"



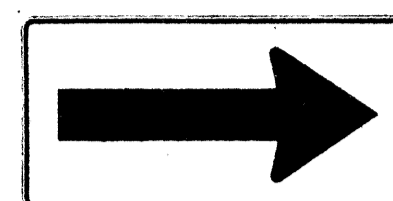
WI-3(R) 30" x 30"



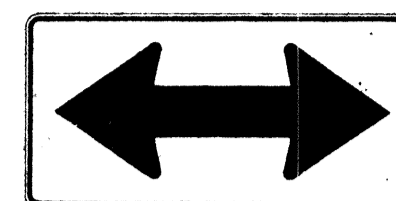
WI-4(R) 30" x 30"



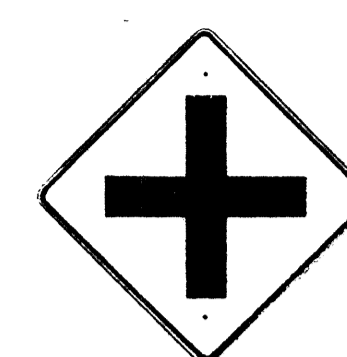
WI-5(R) 30" x 30"



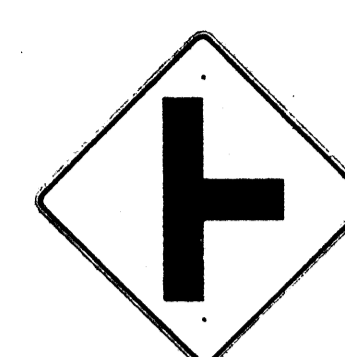
WI-6 48" x 24"



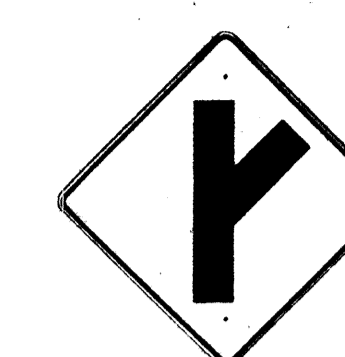
WI-7 48" x 24"



W2-1 30" x 30"



W2-2 30" x 30"



W2-3(R) 30" x 30"



W2-4 30" x 30"



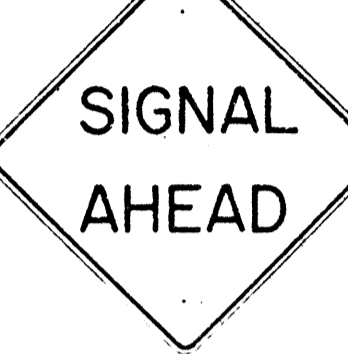
W2-5 30" x 30"



W3-1 30" x 30"



W3-2 30" x 30"



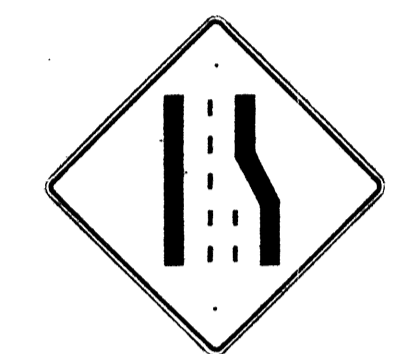
W3-3 36" x 36"



W4-1 30" x 30"

W4-1-E 36" x 36"

W4-1-I 48" x 48"



W4-2 30" x 30"

W4-2-E 36" x 36"



W5-1 30" x 30"

W5-1-E 36" x 36"



W5-2 30" x 30"



W5-3 30" x 30"



W6-1 36" x 36"



W6-2 36" x 36"



W7-1 30" x 30"



W8-1 30" x 30"



W8-2 30" x 30"



W8-3 30" x 30"



W8-4 30" x 30"



W8-5 30" x 30"



W9-1 30" x 30"



W9-2 30" x 30"



W10-1 36" DIAMETER



W11-1 30" x 30"



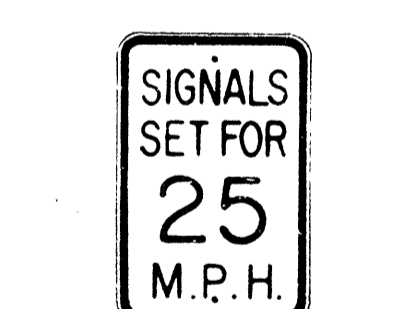
W11-5 30" x 30"



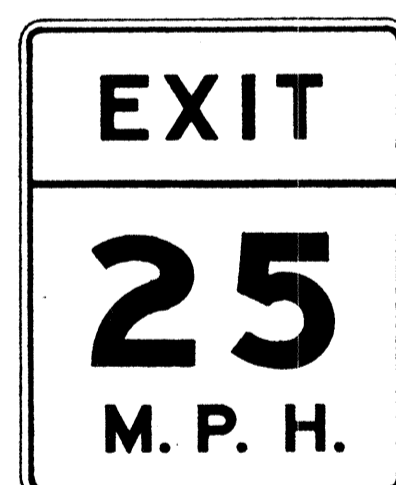
W12-2 36" x 36"



W13-1(35) 18" x 18"



W13-2(25) 12" x 18"



W13-3(25) 48" x 60"

NOTE:

1. The shape, color, dimensions, symbols, wording, lettering and reflectorization of all signs shall be in accordance with the "Manual on Uniform Traffic Control Devices for Streets and Highways," dated June 1961 and the BPR manual "Standard Highway Signs," dated September 1961 unless otherwise specified.
2. All warning signs shall be reflectorized unless otherwise specified.
3. All warning signs shall have 3/8" bolt holes drilled at appropriate locations unless otherwise noted.
4. (R) or (L) indicates right or left and shall be as shown on the plan.
5. The suffix "E" denotes Expressway signs and "I" denotes Interstate signs.
6. For W13 sign, number in () indicates speed and shall be as shown on the plans.

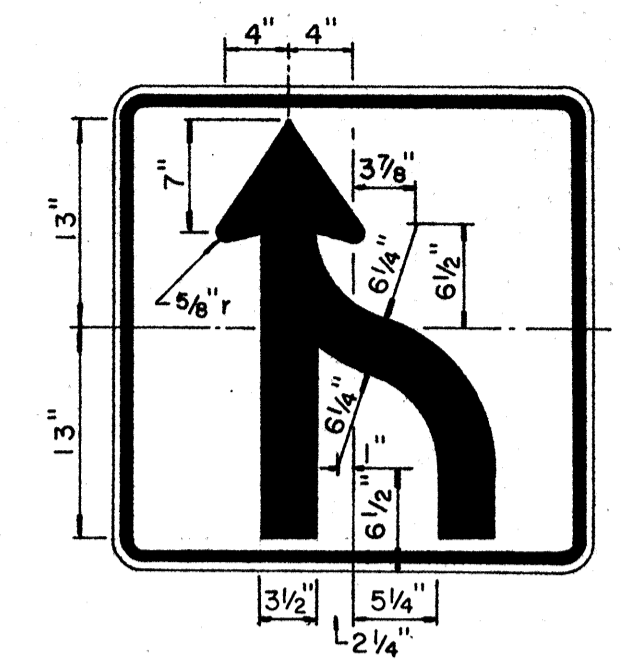
ORIGINAL PLAN NO. _____
 SURVEY PLOTTED BY _____ DATE _____
 DRAWN BY _____
 DESIGNED BY _____
 QUANTITIES BY _____
 CHECKED BY _____

STATE OF HAWAII
 DEPARTMENT OF TRANSPORTATION
 HIGHWAYS DIVISION

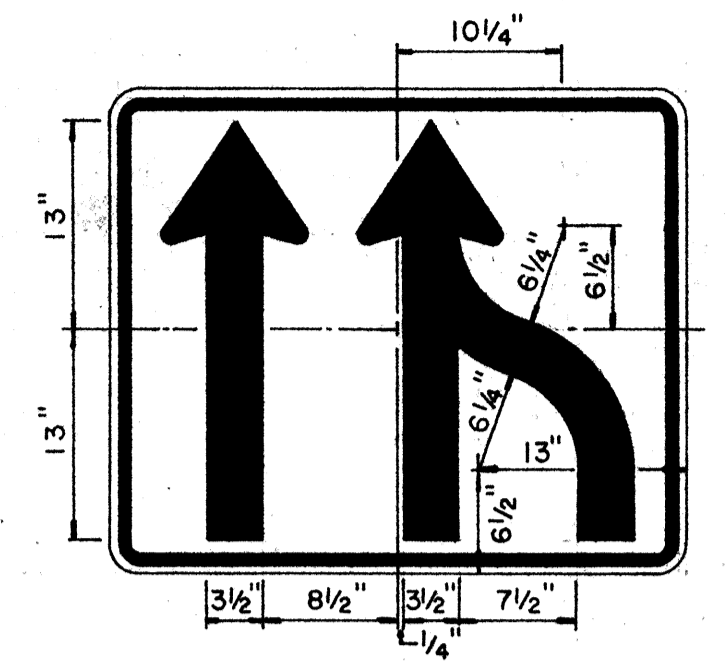
STANDARD DETAILS
WARNING SIGNS

NOT TO SCALE

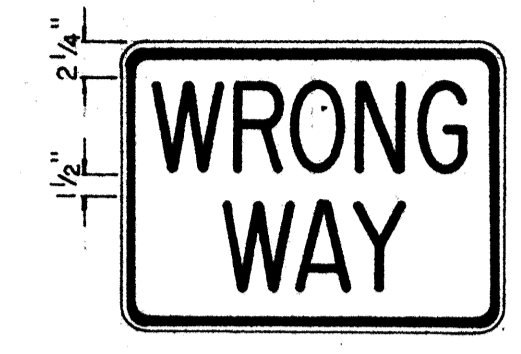
SHEET No. 11 OF 14 SHEETS



R3-9 30" x 30"

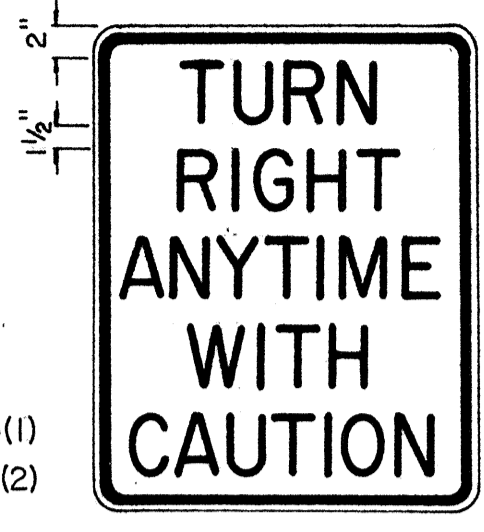


R3-10 36" x 30"

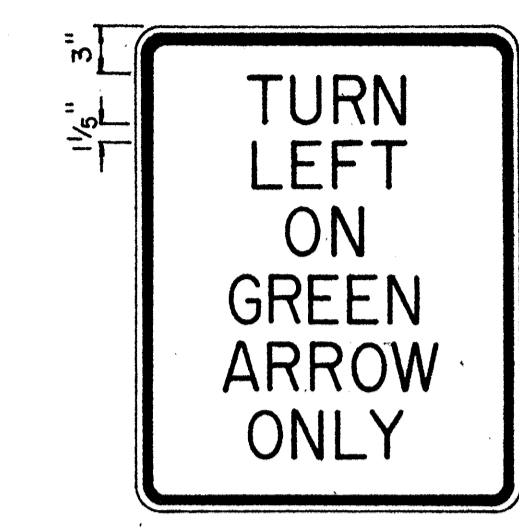


R5-5(1) 24" x 18"
R5-5(2) 36" x 24"

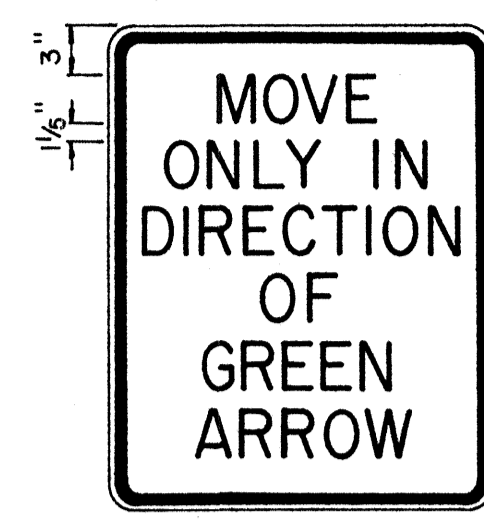
NOTE:
White legend and border
on Red background.



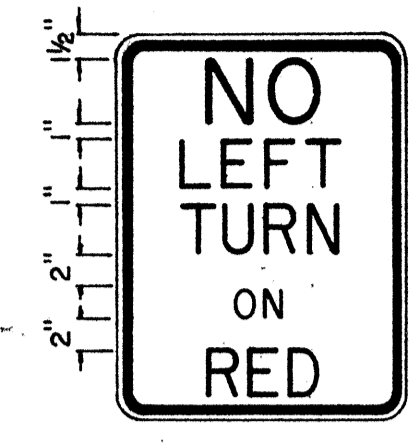
R15-1 24" x 30"



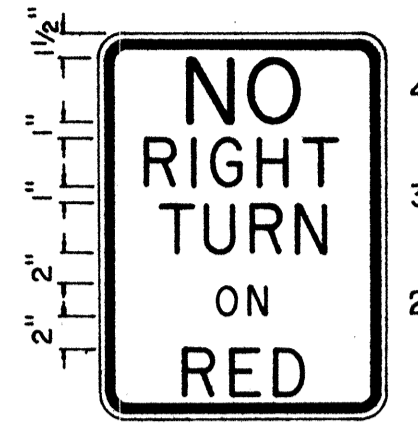
R16-1 24" x 30"



R16-2 24" x 30"



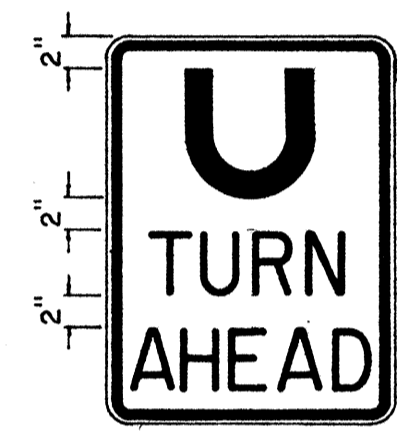
R17-1 18" x 24"



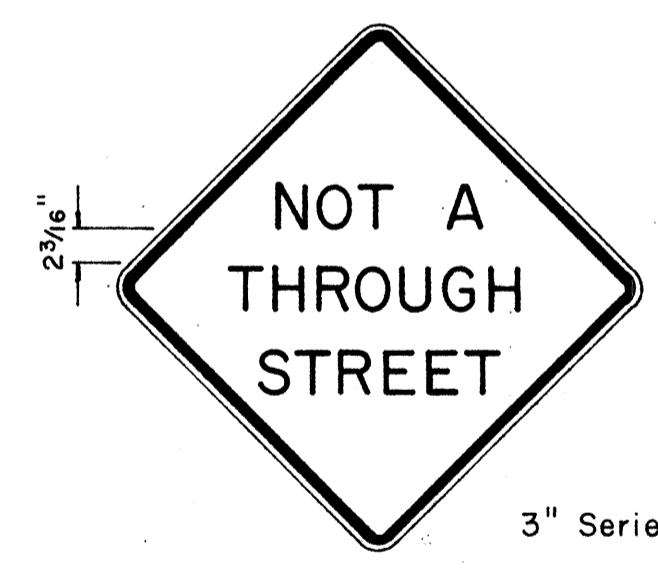
R17-2 18" x 24"



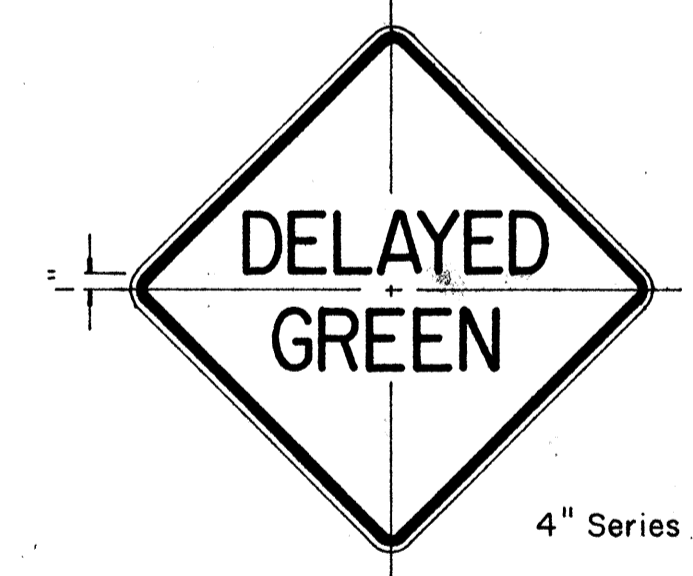
R18-1 36" x 30"



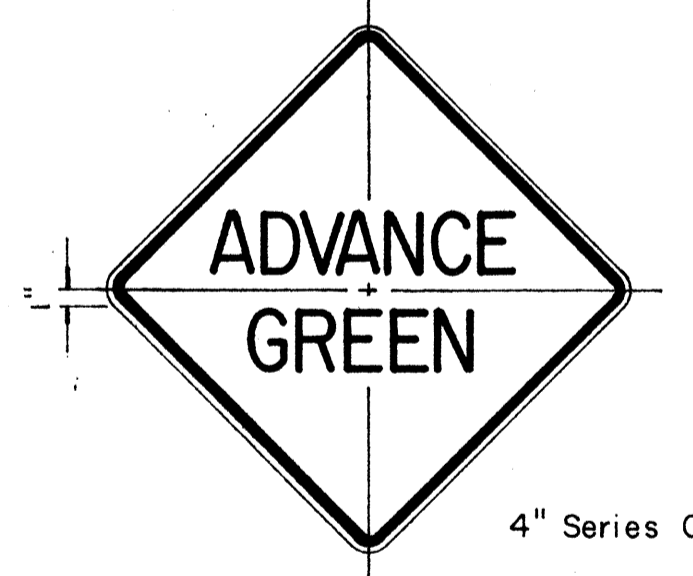
R19-1 18" x 24"



W13-4 24" x 24"



W15-1 24" x 24"



W15-2 24" x 24"

NOTE:

- The shape, color, plate details, lettering and reflectorization of Regulatory signs (Prefix R) and Warning signs (Prefix W) shall be in accordance with the "Manual on Uniform Traffic Control Devices for Streets and Highways," dated June 1961 and the BPR manual "Standard Highway Signs," dated September 1961 unless otherwise specified.
- All regulatory and warning signs shall be reflectorized unless otherwise specified.
- All regulatory and warning signs shall have 3/8" bolt holes drilled at appropriate locations unless otherwise specified.

DATE	_____
SURVEY PLOTTED BY	_____
DESIGNED BY	_____
QUANTITIES BY	_____
CHECKED BY	_____
ORIGINAL PLAN	_____
NOTE BOOK	_____
No.	_____

STATE OF HAWAII
DEPARTMENT OF TRANSPORTATION
HIGHWAYS DIVISION

STANDARD DETAILS
MISCELLANEOUS
REGULATORY & WARNING SIGNS

Scale: 1" = 1' - 0"

SHEET No. 72 OF 14 SHEETS



W 7-2 48"x 48"



W 8-7 30"x 30"



W 14-1 30"x 30"



W 20-1a 48"x 48"



W 20-2d 48"x 48"



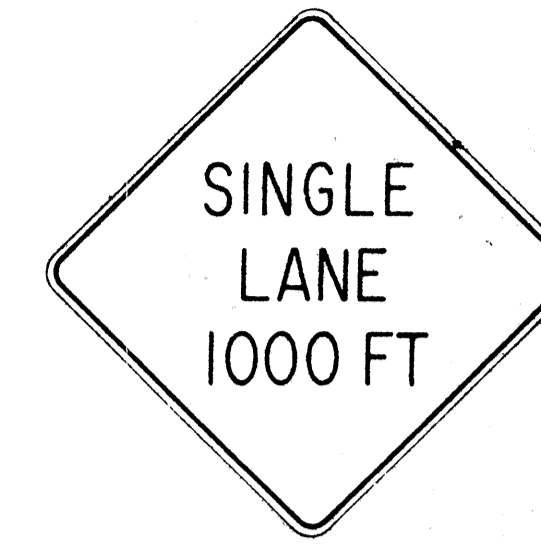
W 20-3b 48"x 48"



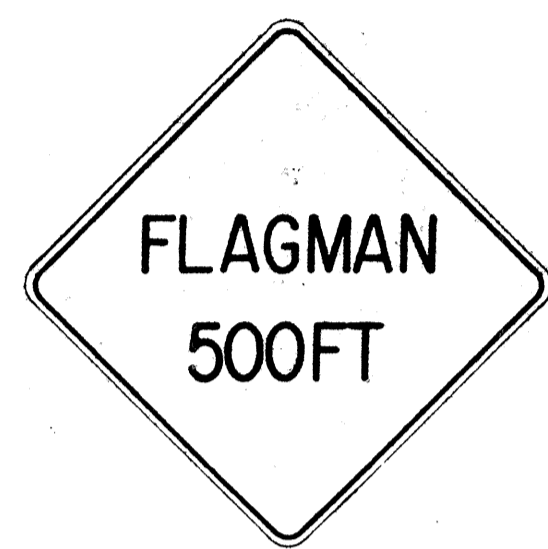
W 20-4d 48"x 48"



W 20-5d(L) 48"x 48"



W 20-6b 48"x 48"



W 20-7c 48"x 48"



W 21-1 30"x 30"



W 21-2 24"x 24"



W 21-3 36"x 36"



W 21-4 30"x 30"



W 21-5 30"x 30"



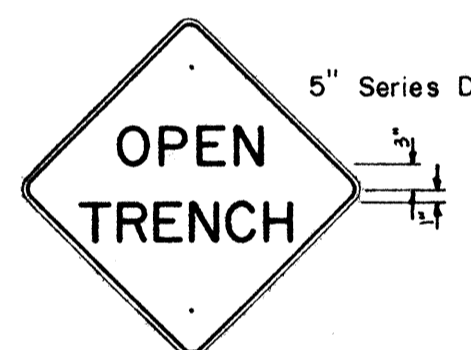
W 21-6 30"x 30"



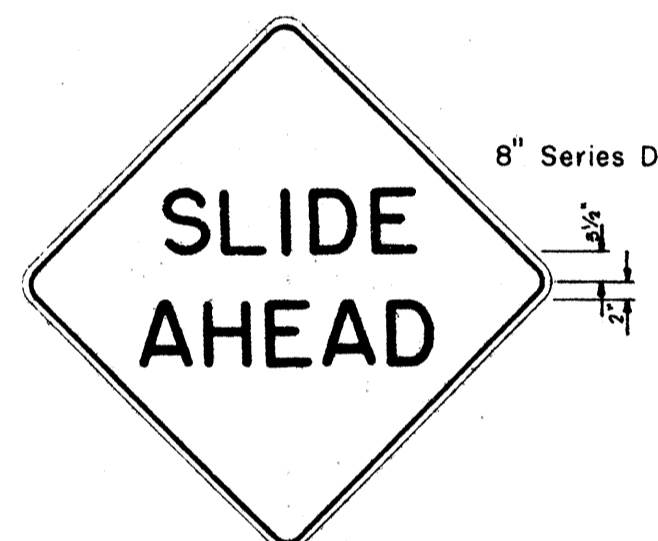
W 22-1 30"x 30"



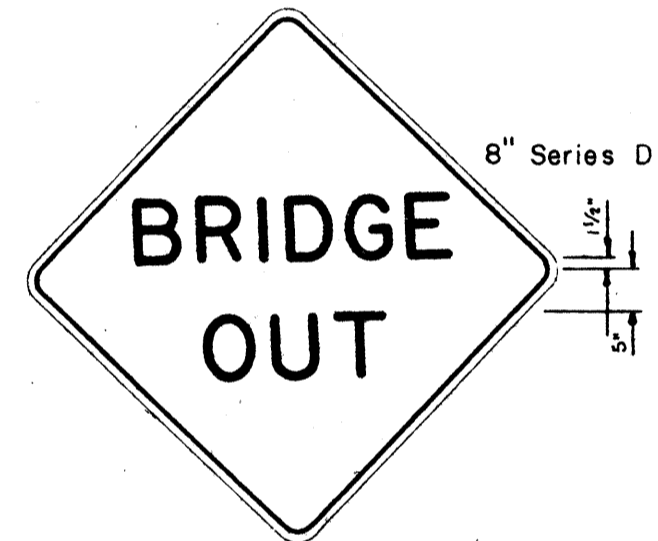
W 22-2 30"x 30"



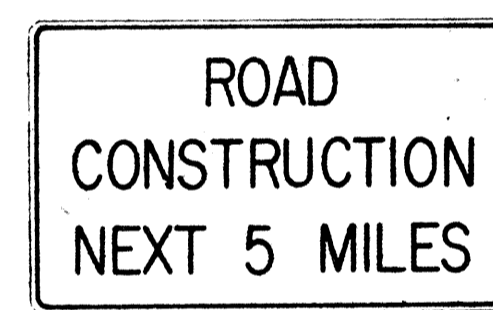
W 22-3 30"x 30"



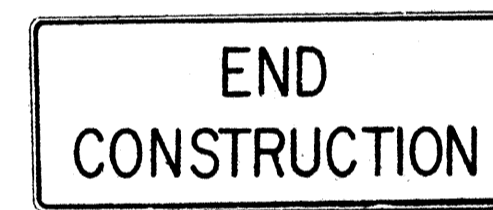
W 22-4 48"x 48"



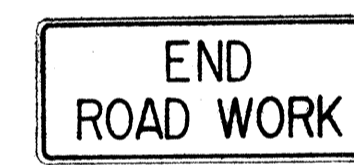
W 22-5 48"x 48"



G 20-1(5) 60"x 36"



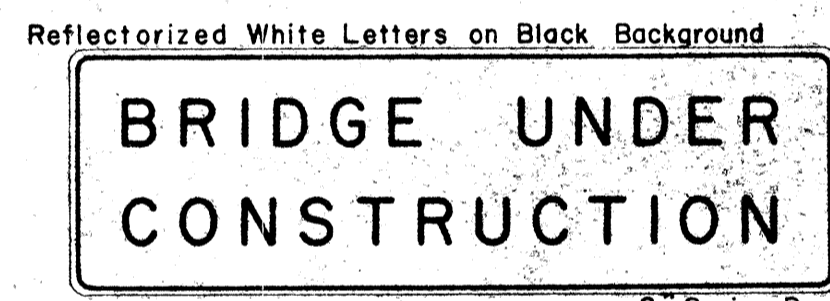
G 20-2 60"x 24"



G 20-3 42"x 18"



M 5-7(L) 48"x 18"



CW-1 96"x 30"

NOTE:

- The shape, color, dimensions, symbols, wording, lettering and reflectorization of all signs shall be in accordance with the "Manual on Uniform Traffic Control Devices for Streets and Highways," dated June 1961 and the BPR manual "Standard Highway Signs," dated September 1961 unless otherwise specified.
- All signs shall be reflectorized unless otherwise specified.
- All signs shall have 3/8" bolt holes drilled at appropriate locations unless otherwise noted.
- For W 20 series signs, suffixes a,b,c and d are as follows a 1500 FT, b 1000 FT, c 500 FT and d AHEAD
- (R) or (L) indicates right or left and shall be as shown on the plans.
- Number in () indicates miles and shall be as shown on the plans.

STATE OF HAWAII
DEPARTMENT OF TRANSPORTATION
HIGHWAYS DIVISION

STANDARD DETAILS
CONSTRUCTION SIGNS

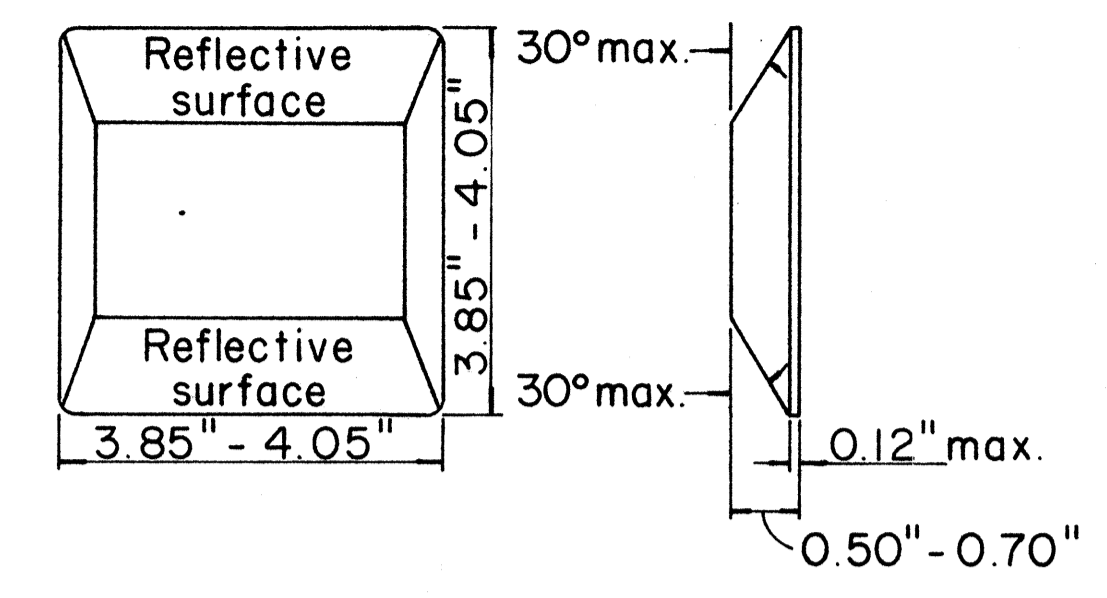
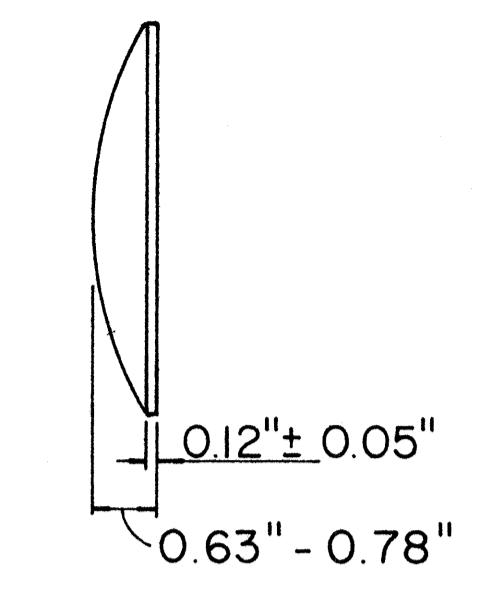
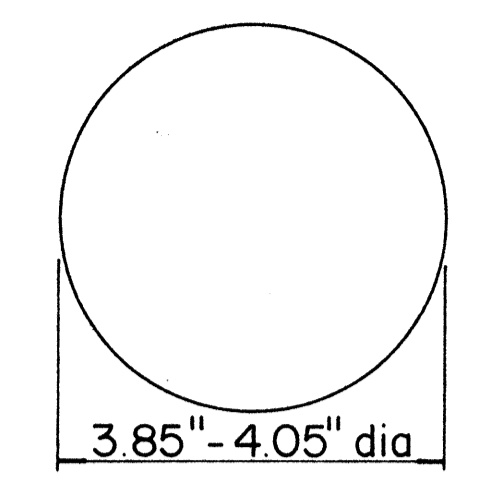
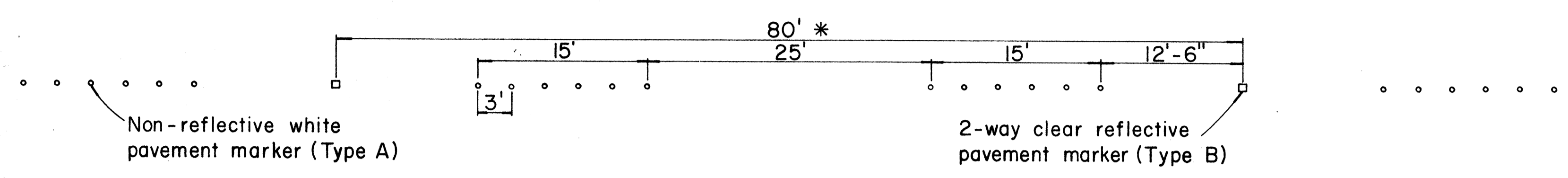
NOT TO SCALE

DATE: _____
DRAWN BY: _____
DESIGNED BY: _____
CHECKED BY: _____

ORIGINAL PLAN NOTE BOOK No. _____

FED. ROAD DIST. NO.	STATE	FED. AID PROJ. NO.	FISCAL YEAR	SHEET NO.	TOTAL SHEETS
HAWAII	HAW.	F-083-1(2) Unit 2	1967	72	83

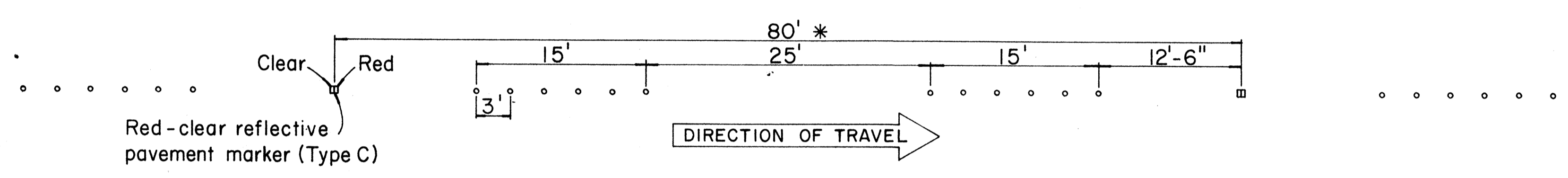
1 CENTER LINES ON TWO - LANE RURAL ROADS AND CITY STREETS



TYPE A
Non-reflective white marker

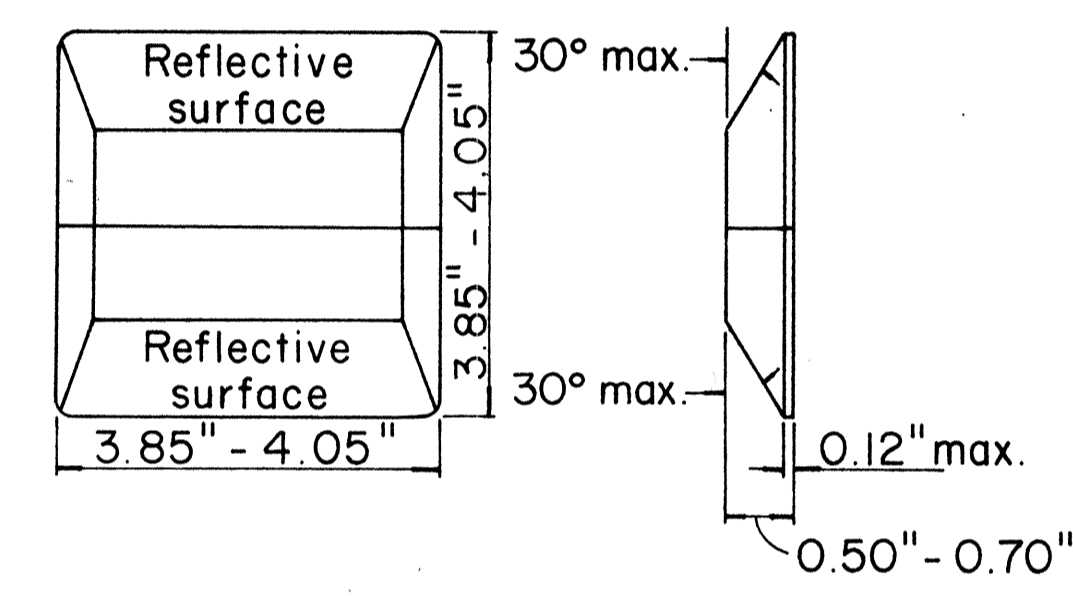
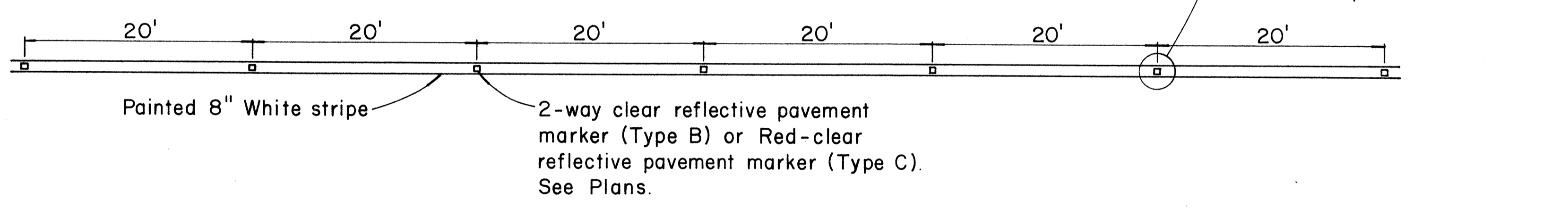
TYPE B
2-way clear reflective surface

2 LANE LINES

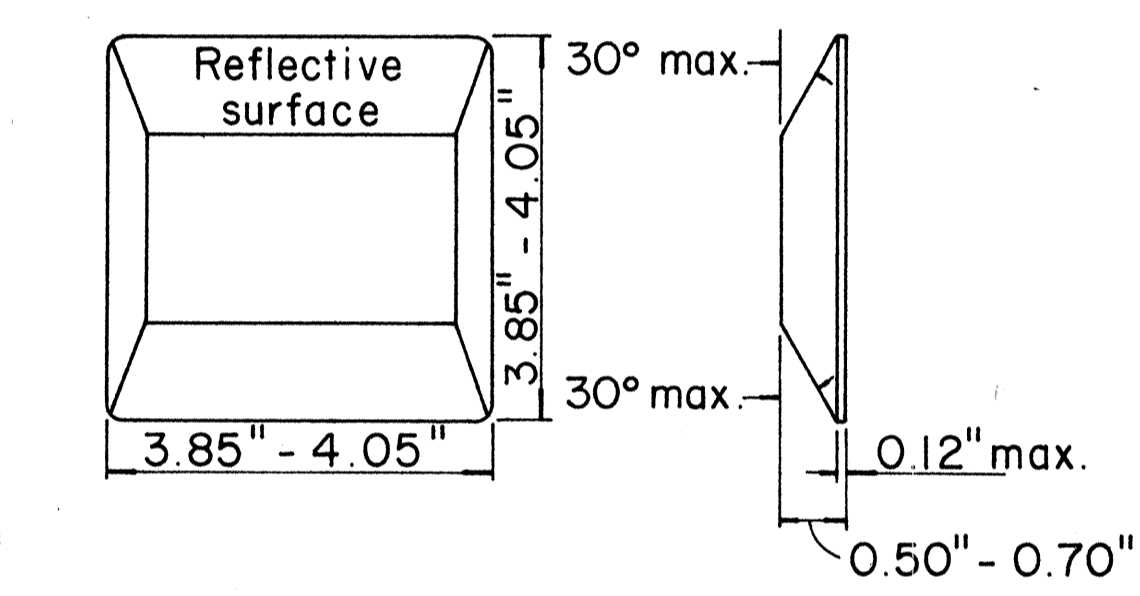


TYPE D
2-way yellow reflective surface

3 CHANNELIZING LINES

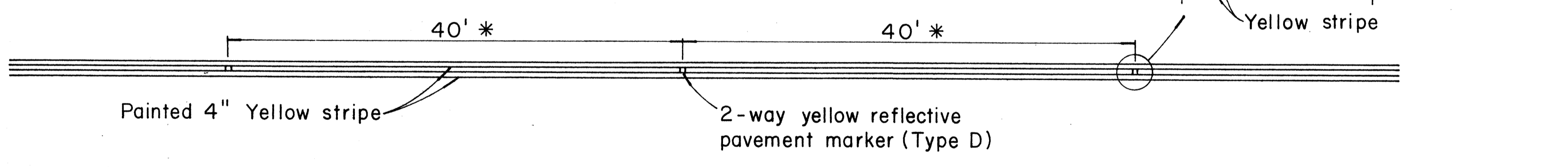


TYPE C
Red - clear reflective surface



TYPE H
One - way yellow reflective surface

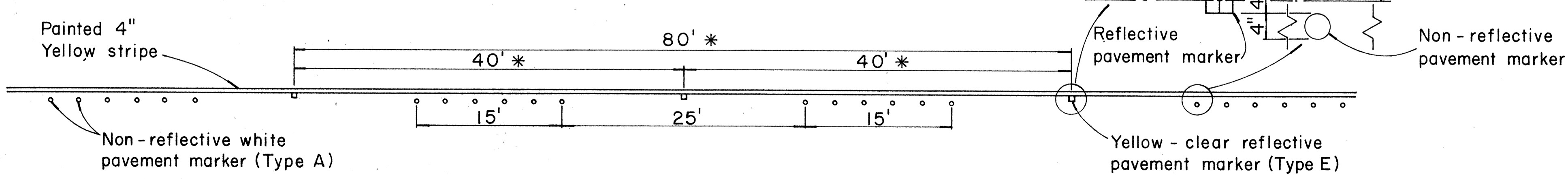
4 YELLOW DOUBLE CENTER LINES



TYPE E
Yellow - clear reflective surface

TYPE G
One - way clear reflective surface

5 NO PASSING - PASSING ZONES ON TWO-LANE ROADS



NOTE:
Painted stripes to be done by State forces

STATE OF HAWAII
DEPARTMENT OF TRANSPORTATION
HIGHWAYS DIVISION

STANDARD DETAILS
RAISED PAVEMENT MARKERS

Not to Scale Sept., 1967

SHEET No. 14 OF 14 SHEETS

SURVEY PLOTTED BY: _____
 DATE: _____
 ORIGINAL PLAN: _____
 DESIGNED BY: _____
 NOTE BOOK: _____
 QUANTITIES BY: _____
 CHECKED BY: _____
 No. _____

* For curves less than 1000' radius use one-half spacing