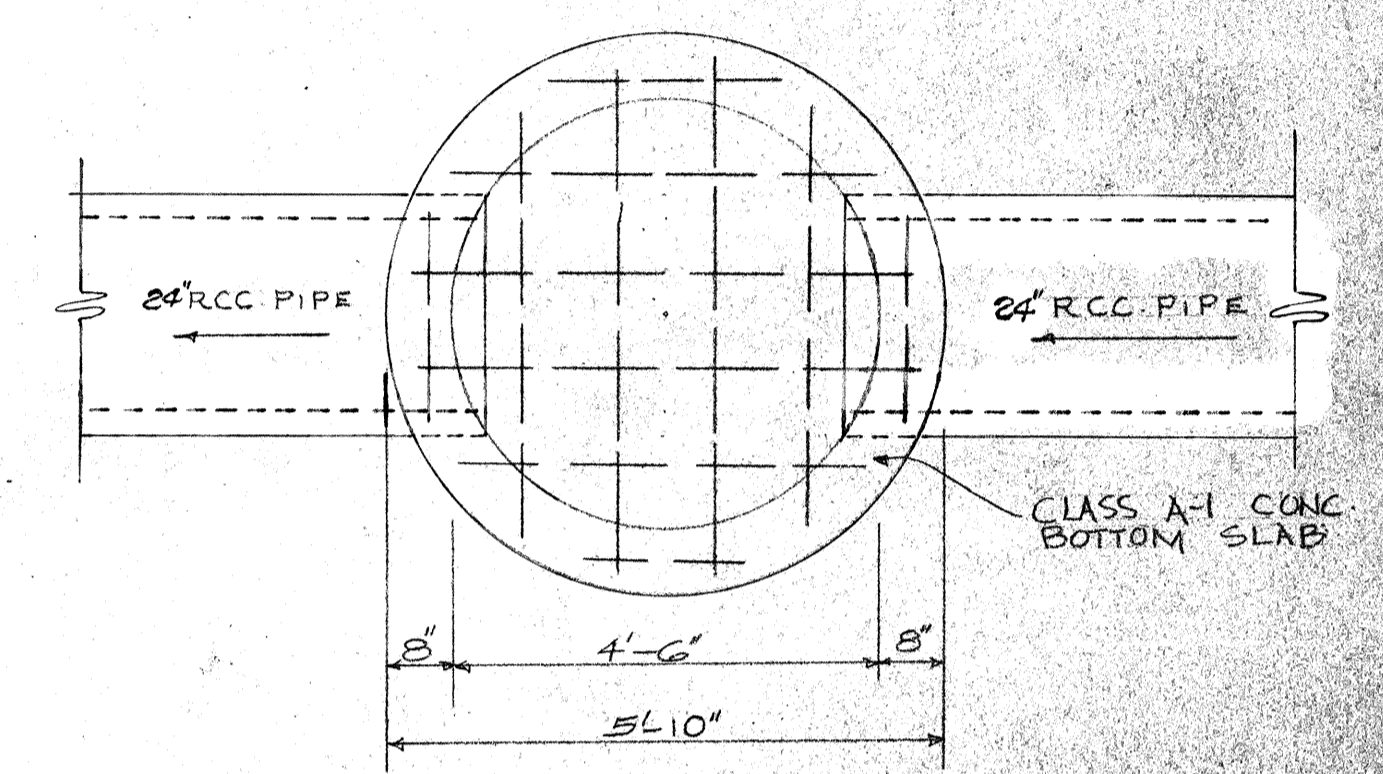
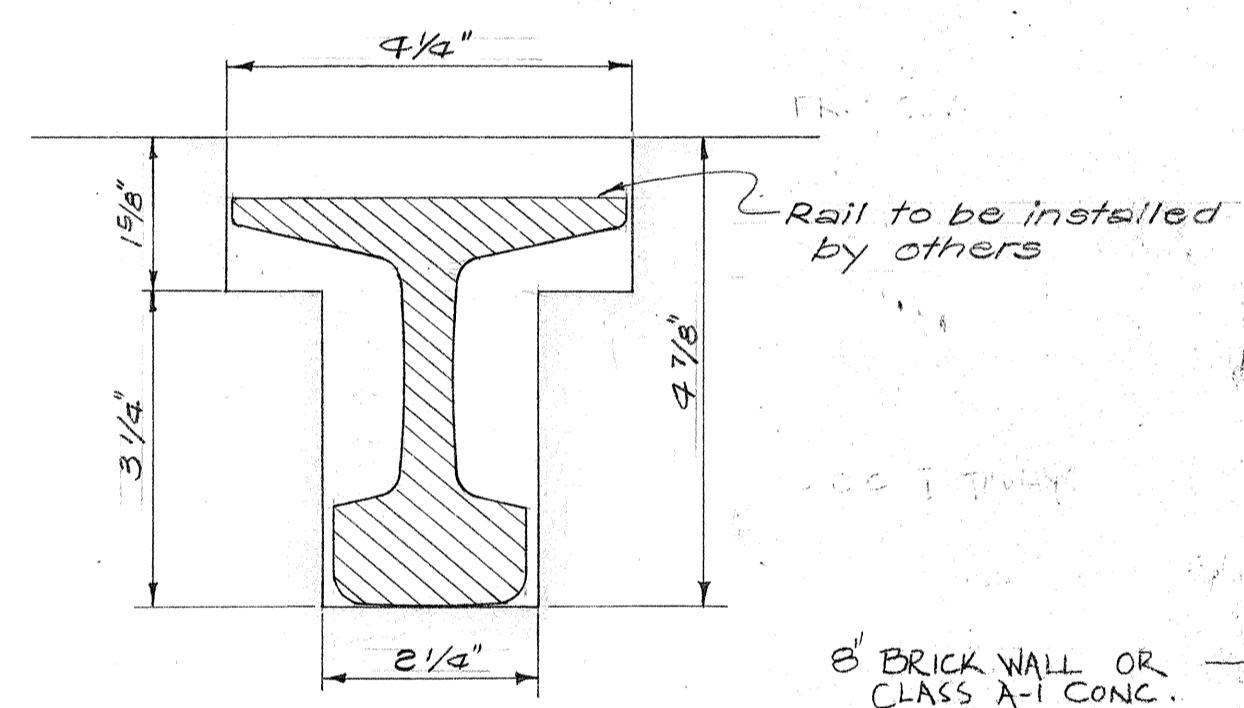
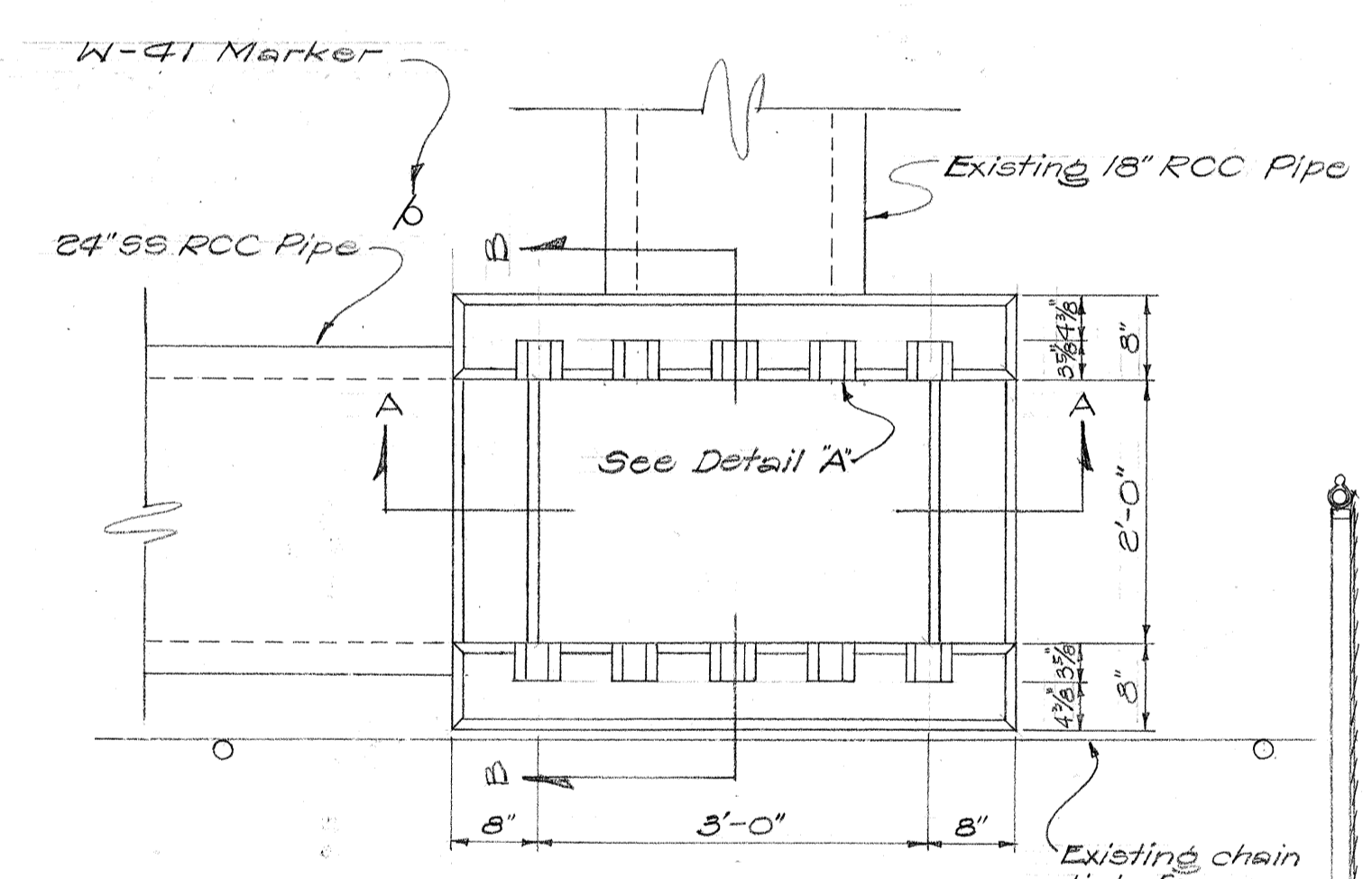


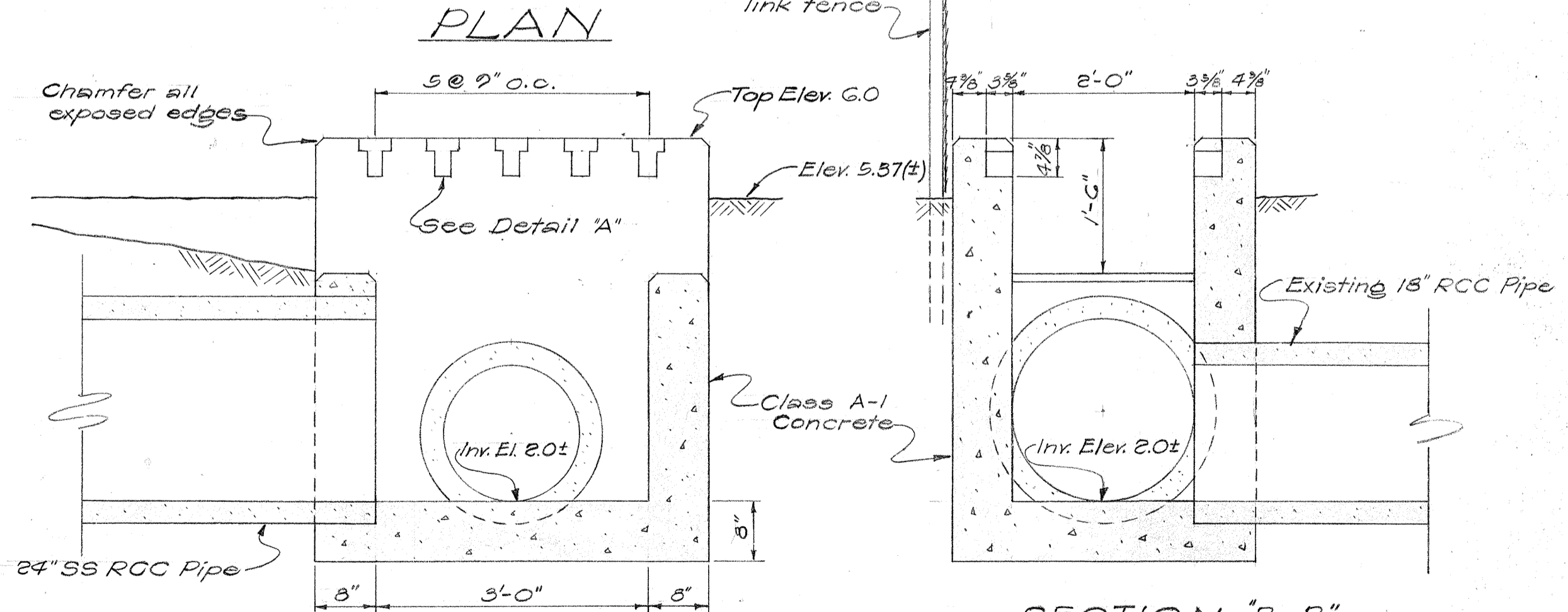
DETAIL AT 30" DRAIN JUNCTION
Scale: 3/4" = 1'-0"



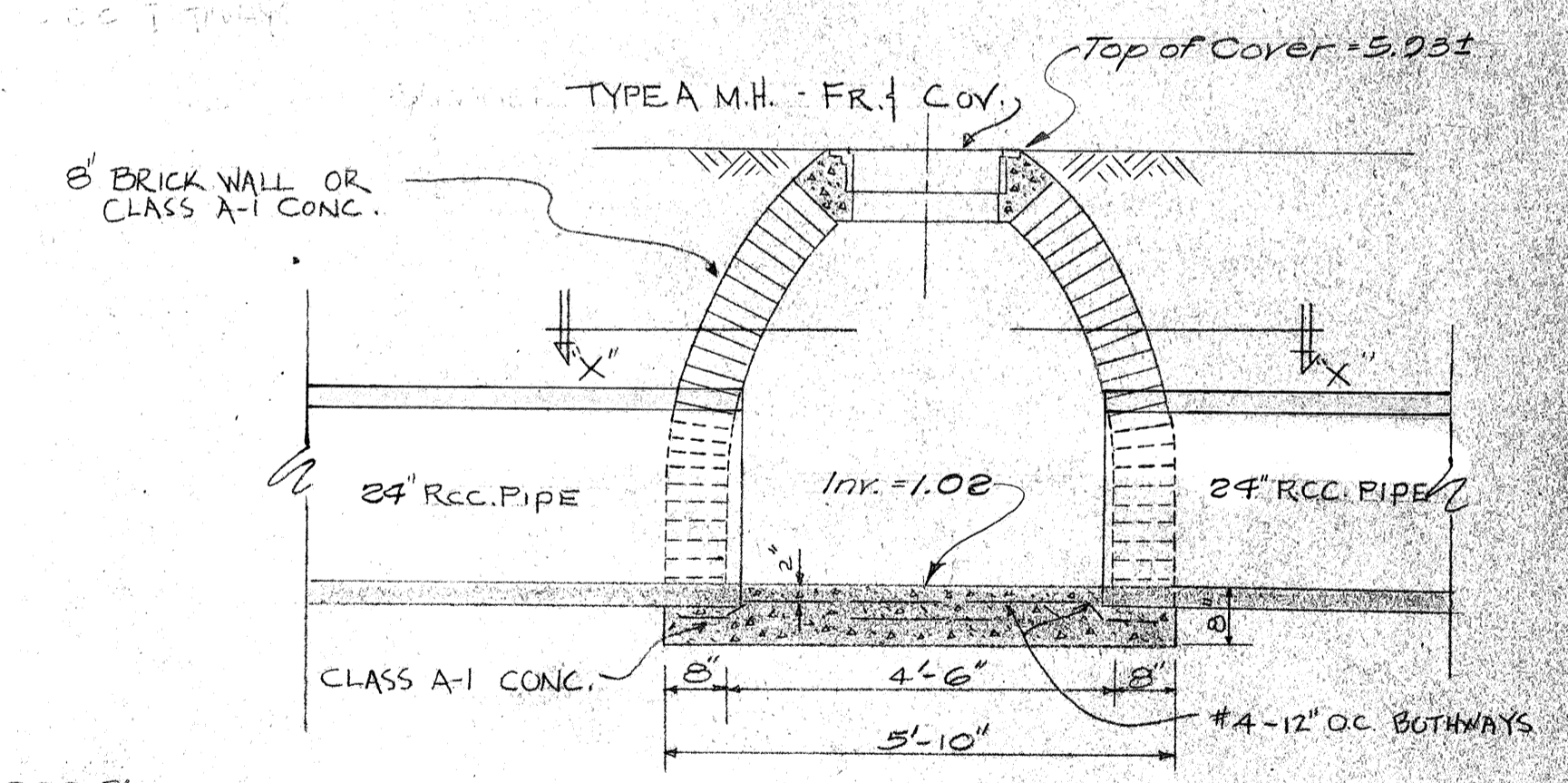
SECTION "X-X"



DETAIL "A"
Scale: 6" = 1'-0"



SECTION "A-A" SECTION "B-B"
DETAIL OF DROP INTAKE
Scale: 3/4" = 1'-0"



SECTION TYPE "D" STORM DRAIN MANHOLE
Scale: 1/2" = 1'-0"

NOTE:
 1. Stations refer to Federal Aid Project No. DANR 10E(1).
 2. Inverts noted are approximate and final locations are to be determined by the Project engineer to suit field conditions.
 3. If brick is used for manhole, surface of wall shall be plastered with 1" thickness of 1:2 Cement Mortar.
 4. If Class A-1 Concrete is used for manhole wall, top slab shall be reinforced with #4 bars @ 6" c.c. both ways. Reinforcing shall be incidental to the item "Manhole Wall" and shall not be paid for separately.

ESTIMATED QUANTITIES							
	Struc. Exc.	Class A-1 Conc.	Reinf. Steel	Manhole Wall	Type A MH Frame & Cover	24" S.S. Culvert Pipe	W-41 Marker
205+60	120.7 cy.	1.6 cy.				167 160 lin.ft.	1 only
203+98	155.3 cy.	1.4 cy.	32 lb.	5 lin.ft.	1 only	146 lin.ft.	
Total	276.0 cy.	3.0 cy.	32 lb.	5 lin.ft.	1 only	313 306 lin.ft.	1 only

TERRITORIAL HIGHWAY DEPARTMENT
 TERRITORY OF HAWAII
 24" CULVERT PIPE DRAIN
 HONOLULU-PEARL HARBOR RD.
 Scale: As Noted June 1956