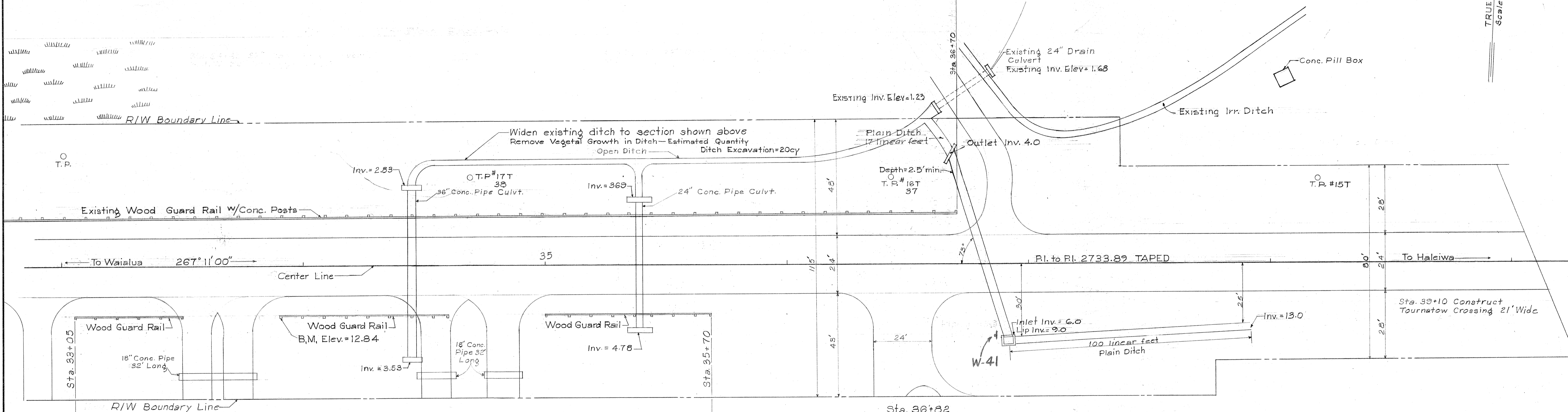
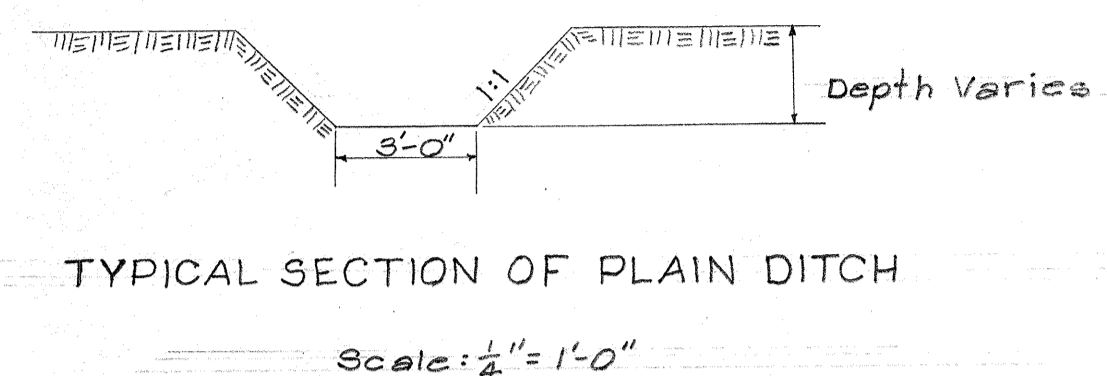


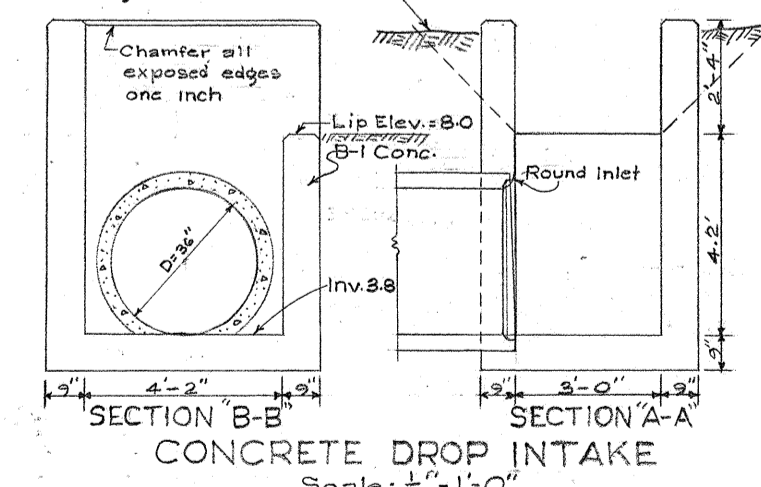
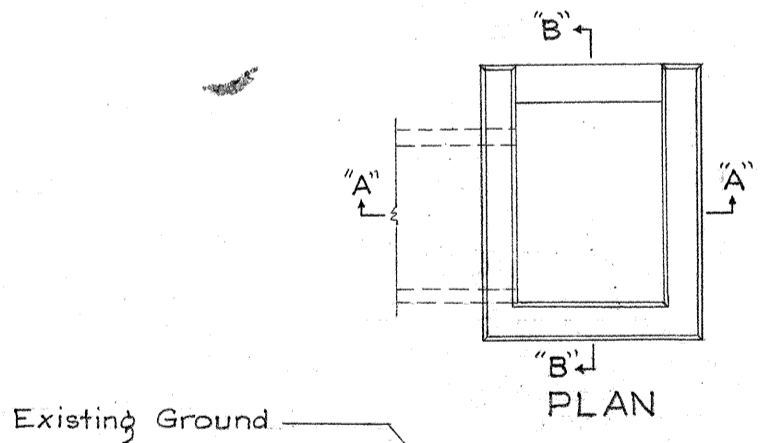
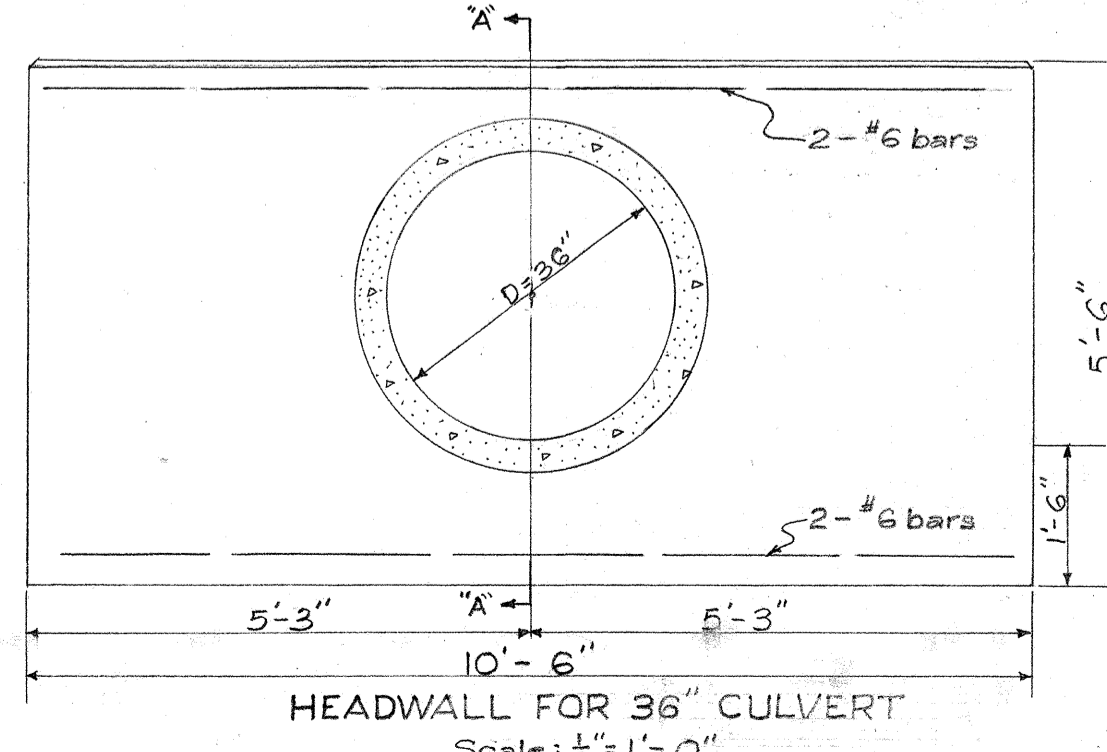
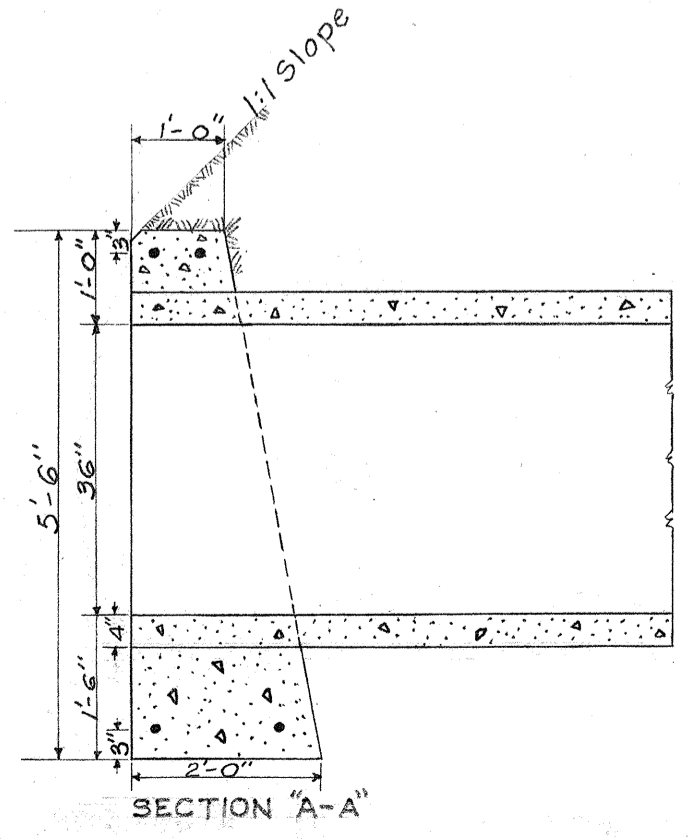
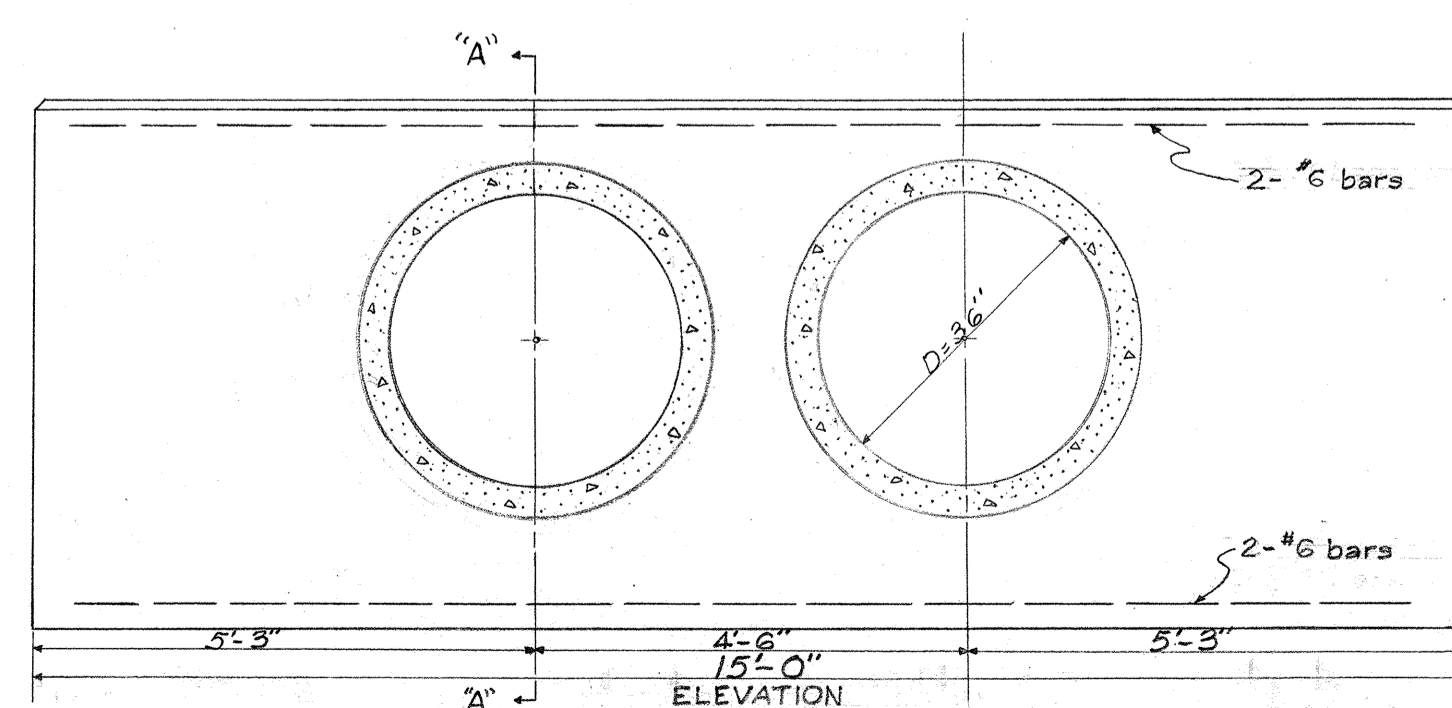
FED. ROAD DIST. No.	STATE	FED. AID PROJ. No.	FISCAL YEAR	SHEET No.	TOTAL SHEETS
			1957	12-B	12

CANE



Sta. 36+82
 Install 1-36" X.S. Reinf. Conc. Pipe Culvert
 1-Conc. Drop Intake
 1-Headwall
 Estimated Quantities:
 36" X.S. Reinf. Conc. Pipe = 79 linear feet
 Struc. Exc. = 166.5 cy. 191.0 cy.
 Class B-1 Conc. = 6.8 cy. 7.0 cy.
 Reinf. Steel = 62 lbs.
 Ditch Excavation = 8.7 cy

Note:
 B.M. Spike in Mango Tree
 65' Mauka of & Sta. 31+55
 Elev. = 8.57
 B.M. Top of Conc. Guard
 Rail Post Mauka of &
 Sta. 33+40
 Elev. = 12.84



TERRITORIAL HIGHWAY DEPARTMENT
 TERRITORY OF HAWAII
**AJUSTMENT OF DRAINAGE
 HALEIWA CUT-OFF**
 Scale: As Noted January 1956

SHEET No. OF SHEETS

5867.1213

DESIGNED BY: _____ DATE: _____
 DRAWN BY: _____
 CHECKED BY: _____
 QUANTITIES CHECKED BY: _____
 ORIGINAL PLAN NO. _____
 NOTE BOOK NO. _____