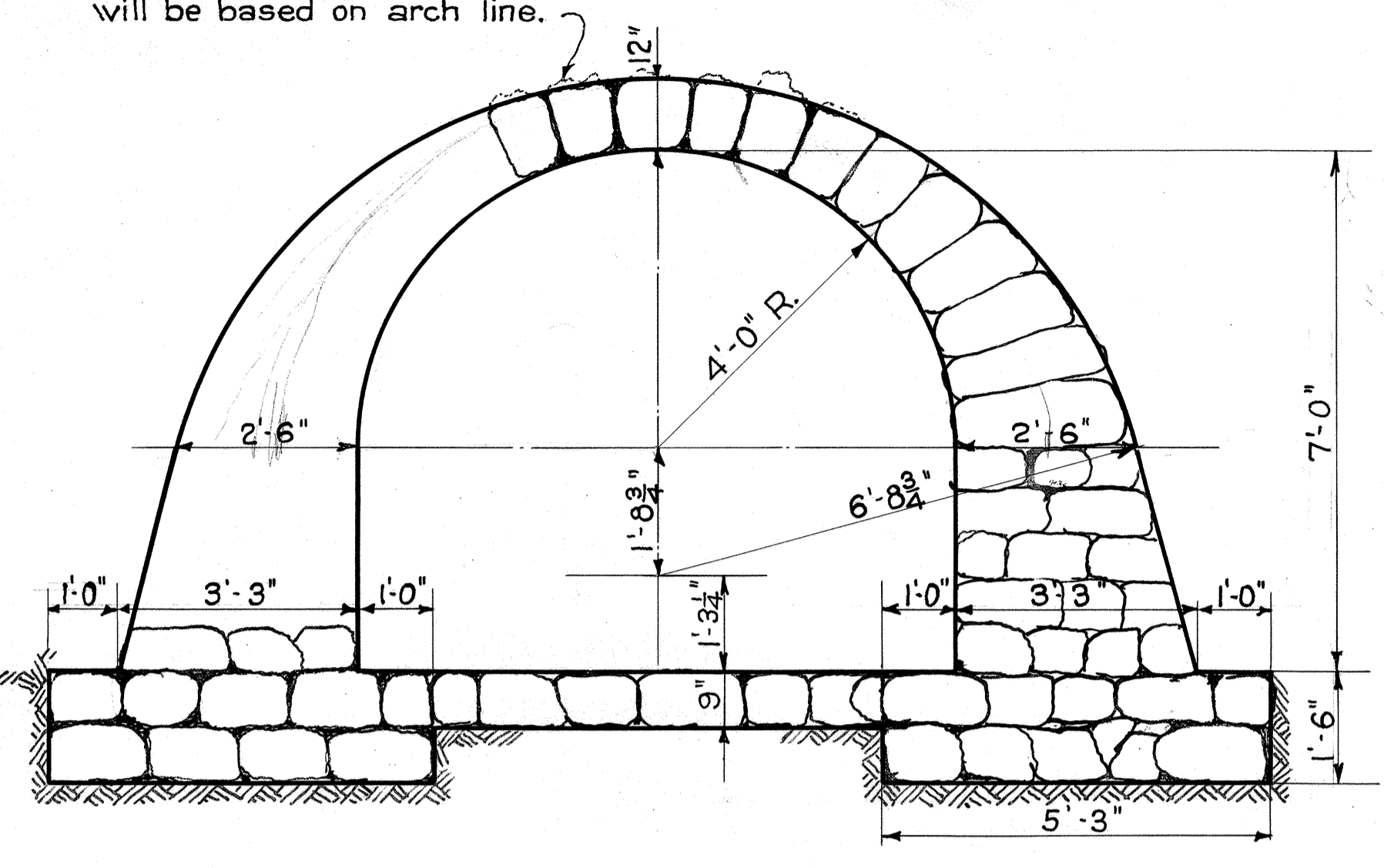
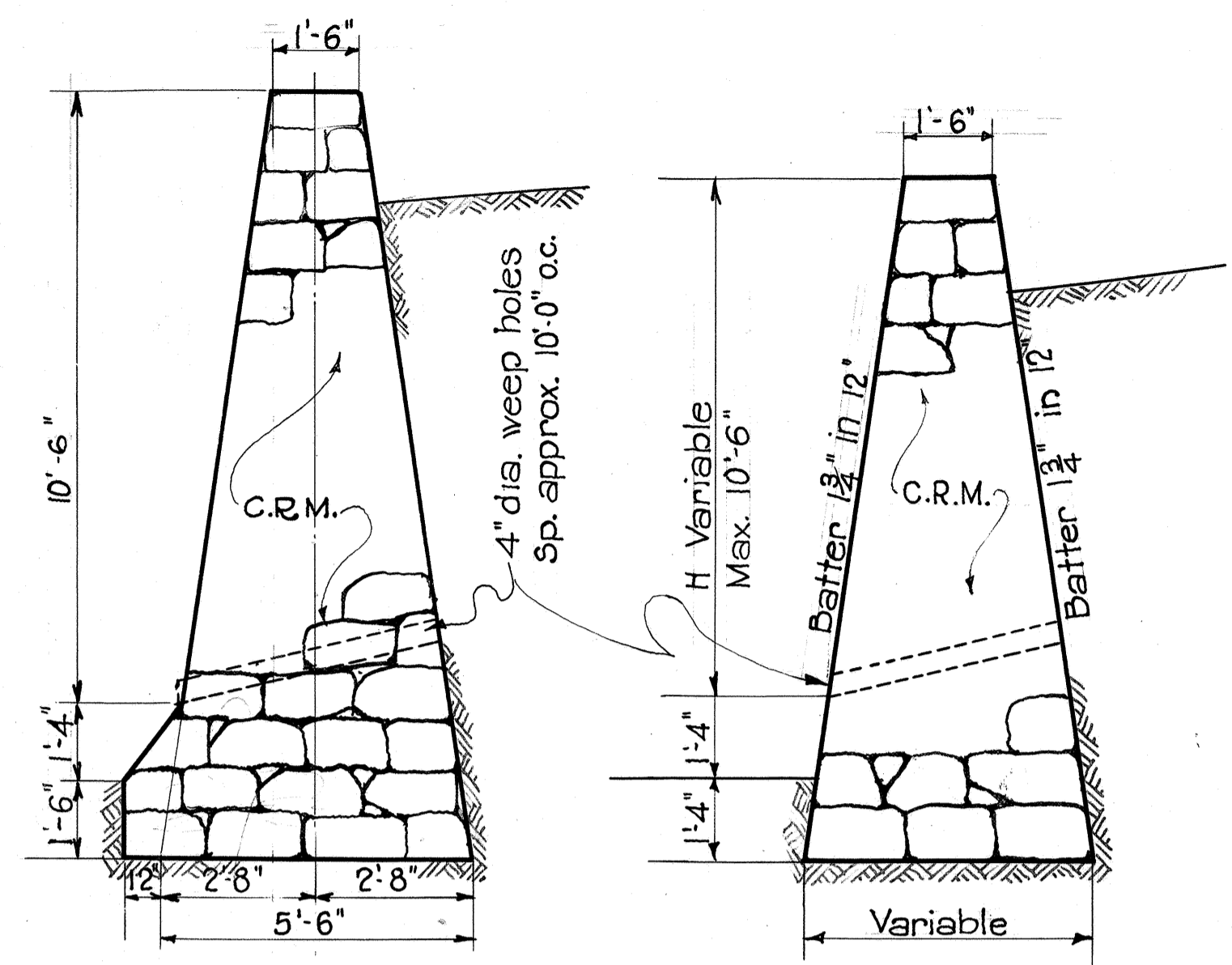


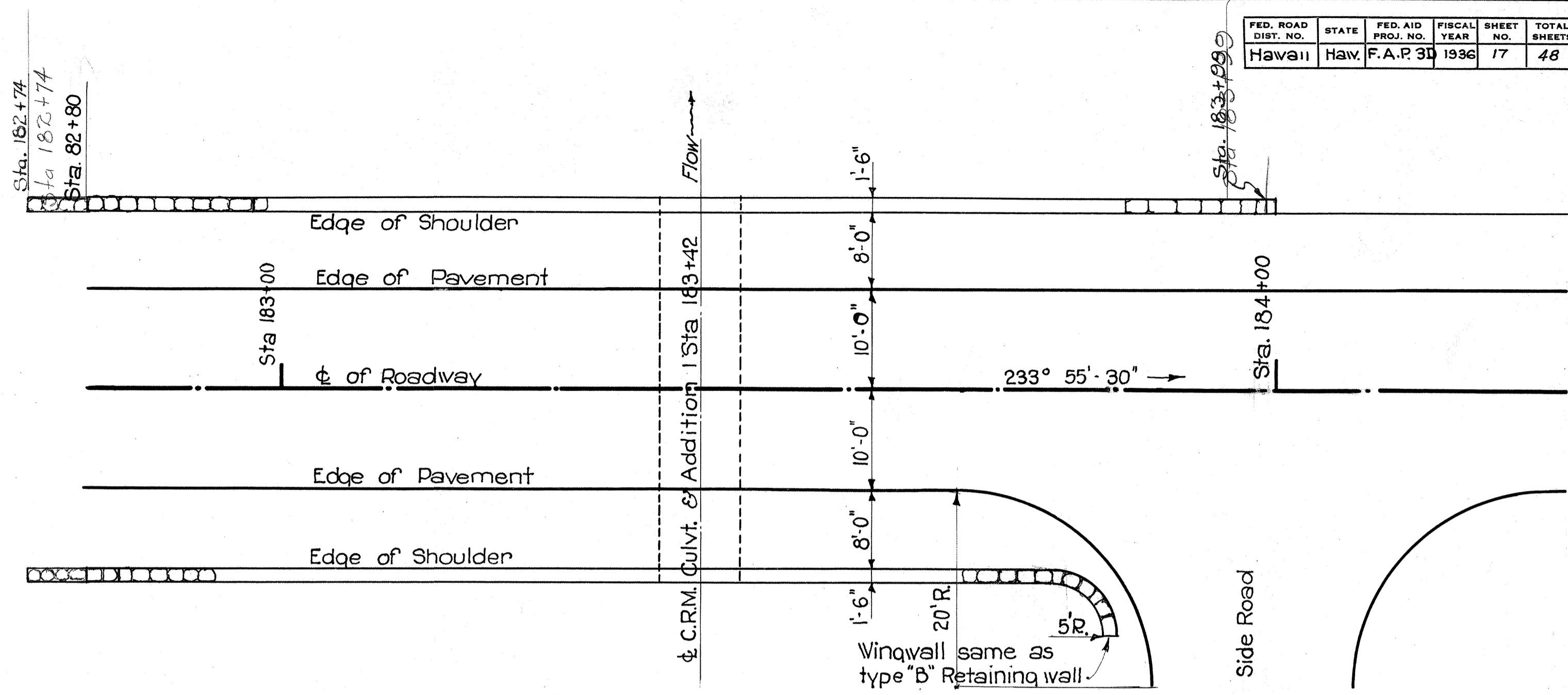
Stone irregularities on outside face of Arch will be permitted. Payment will be based on arch line.



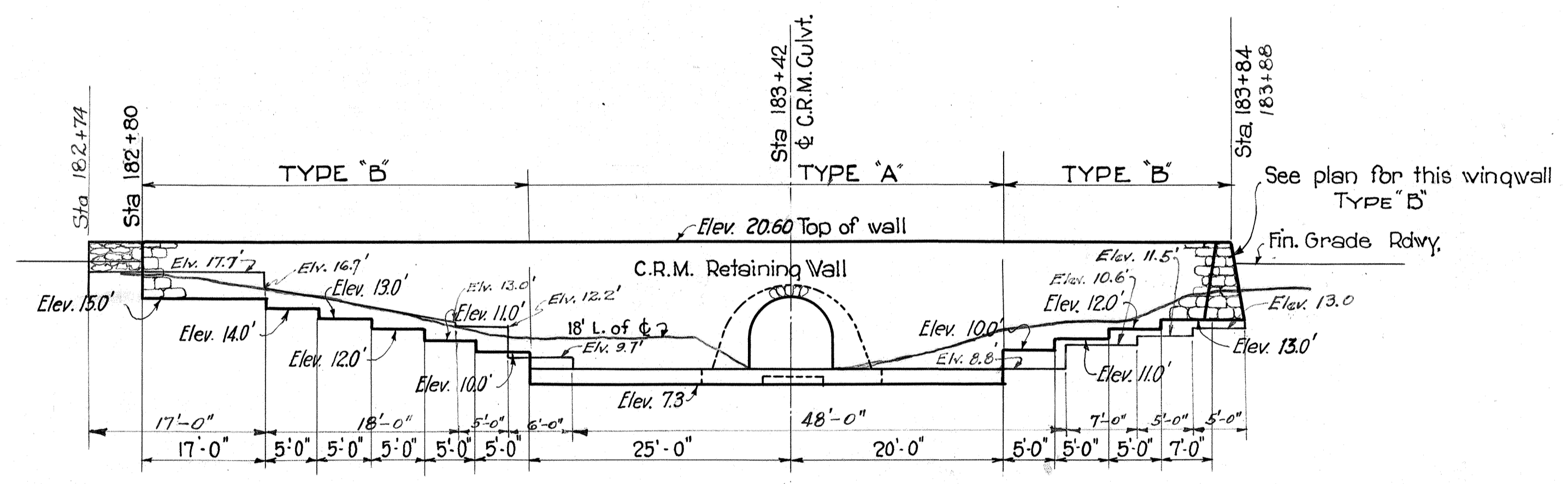
**TYPICAL SECTION OF C.R.M. CULVERT EXTENSION**  
Scale 1/2" = 1'-0"



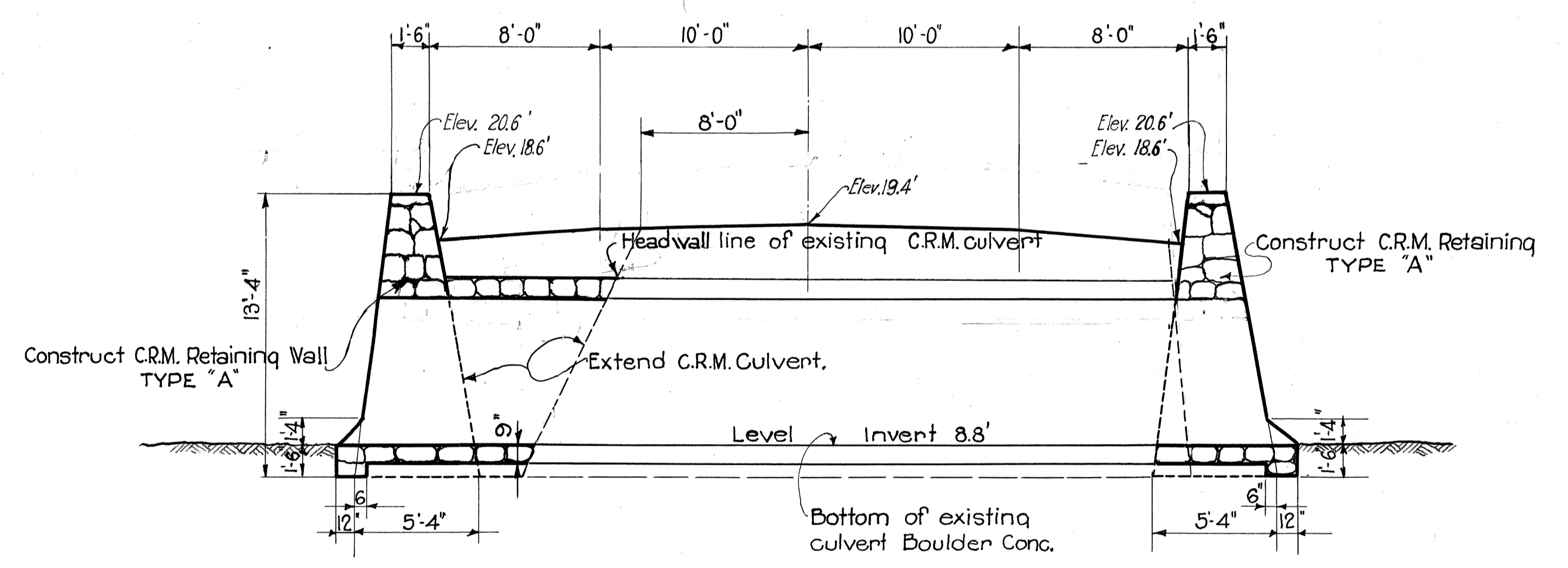
**TYPE "A" TYPE "B"**  
**DETAIL OF RETAINING WALLS**  
Scale 3/8" = 1'-0"



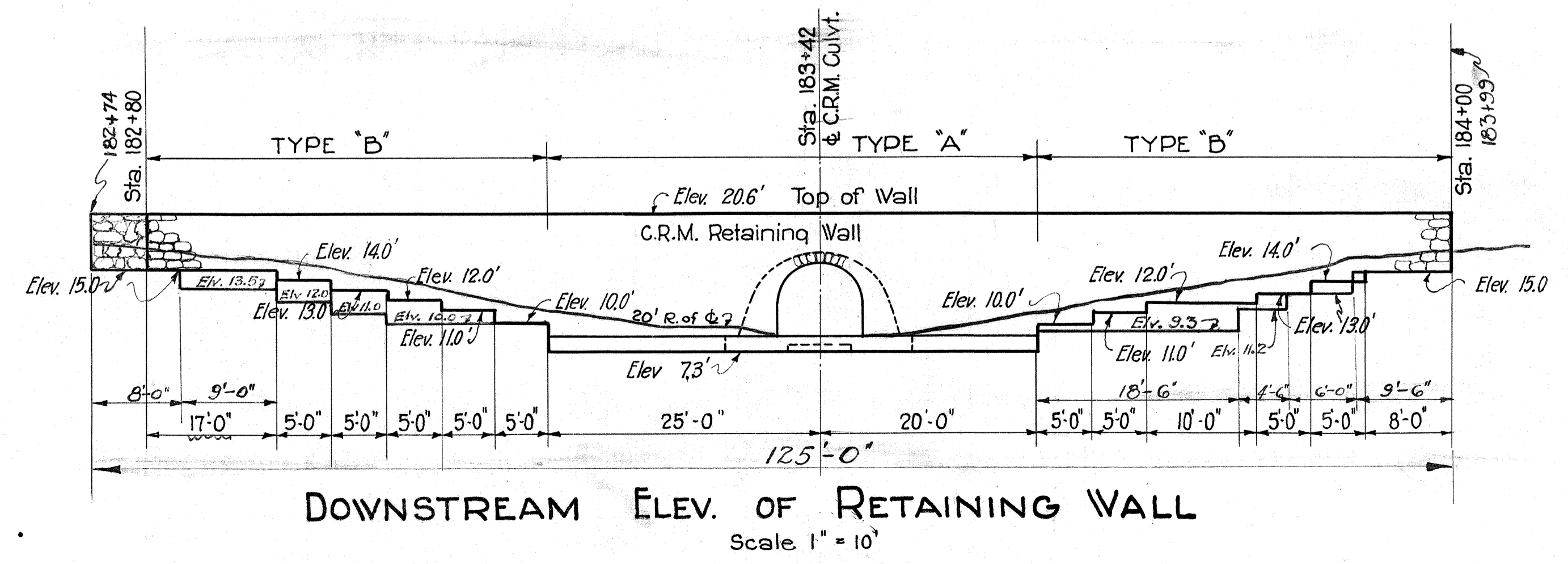
**LAYOUT PLAN ADDITION TO EXISTING C.R.M. CULVERT & RETAINING WALLS**  
Scale 1" = 10'



**UPSTREAM ELEV. OF RETAINING WALL**  
Scale 1" = 10'



**LONGT. SECT THRU CULVERT AT STA. 183+42**  
**SHOWING NEW C.R.M. RET. WALLS & CULVT EXTENSION**  
Scale 1" = 5'



**DOWNSTREAM ELEV. OF RETAINING WALL**  
Scale 1" = 10'

**ESTIMATED QUANTITIES**

STRUCTURE EXC.	=	107.0 C.Y.
C.R.M. FOR ARCH RING	=	11.5 C.Y.
C.R.M.	=	259.0 C.Y.

TERRITORIAL HIGHWAY DEPARTMENT  
TERRITORY OF HAWAII  
**C.R.M. ARCH CULVT. EXTENSION**  
**STA. 183 ± 42**

DATE: Apr. 36  
DESIGNED BY: W.R.B.  
CHECKED BY: R.E.S.  
QUANTITIES BY: R.E.S.  
NOTED BY: W.R.B.  
ORIGINAL PLAN NO.: