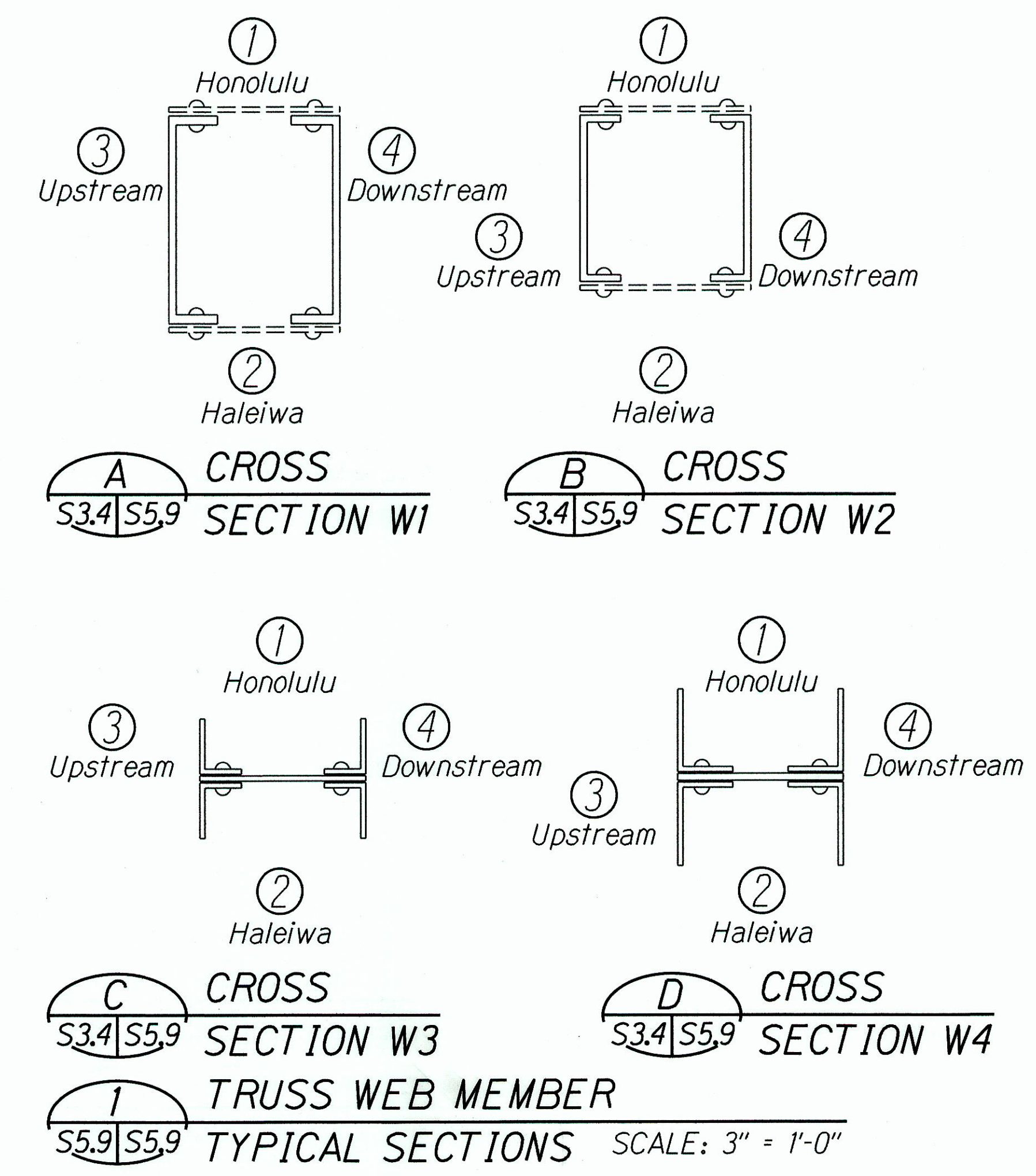


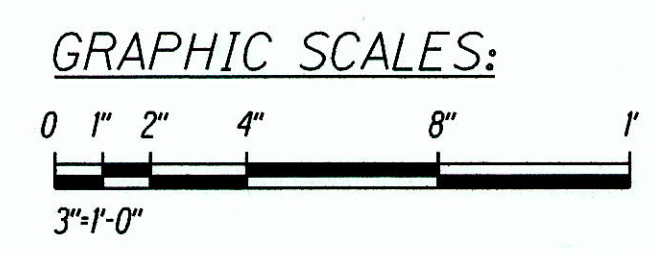
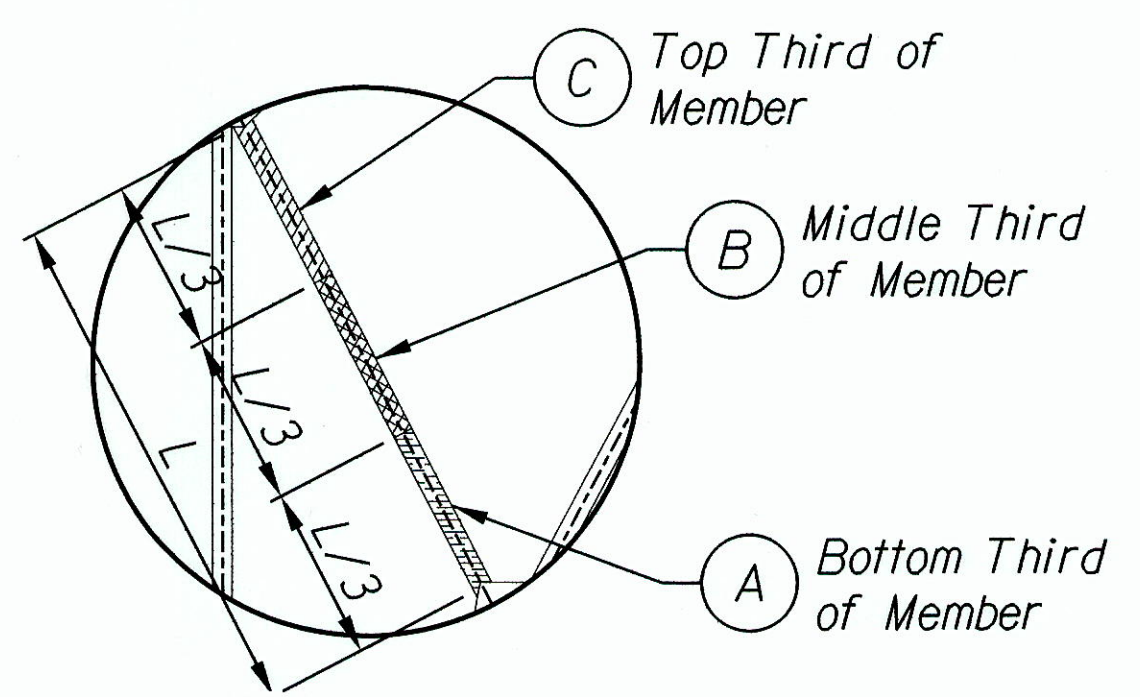
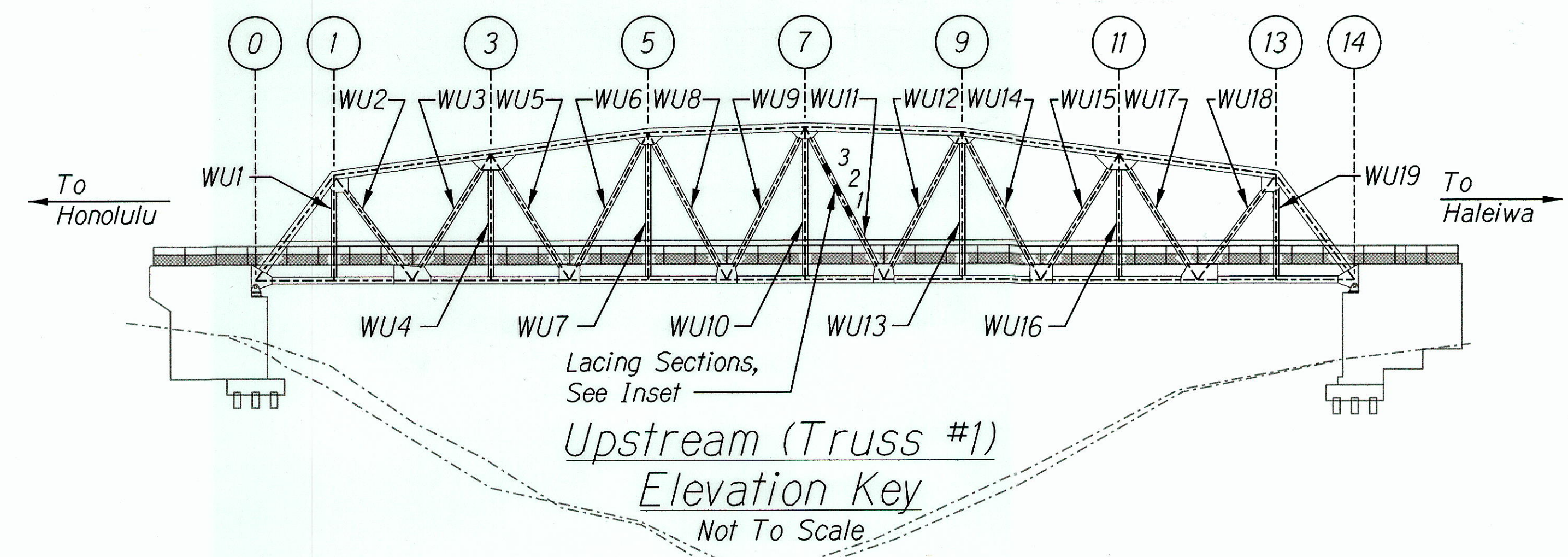
FED. ROAD DIST. NO.	STATE	FED AID PROJ. NO.	FISCAL YEAR	SHEET NO.	TOTAL SHEETS
HAWAII	HAW.	BR-080-1(012)	2014	48	82

TRUSS WEB MEMBER REPAIR SCHEDULE

Label	Cross Section Detail	Face	Member Repair Length (Ft)			No. of Rivets to be Replaced			No. of Lacing Bars to Replace			Repair Detail
			A	B	C	A	B	C	A	B	C	
WU1	W3	1	0	0	0	0	0 15	0 10	-	-	-	1/S5.20
		2	0	0	0	0 2	0 2	0 10	-	-	-	
		3	0	0	0	-	-	-	-	-	-	
		4	0	0	0	-	-	-	-	-	-	
WU2	W4	1	0 6-0	0	0	0 15	0 5	0 1	-	-	-	1/S5.20
		2	2-0	3-0	2-0	4 15	12 15	4 15	-	-	-	
		3	0 2-0	0 3-0	0 2-0	-	-	-	-	-	-	
		4	0 2-0	0 1-0	0	-	-	-	-	-	-	
WU3	W1	1	0	0	0	18 25	18 15	13 10	16 25	18 15	13 10	2/S5.20
		2	0 2-0	0 1-0	0	18 20	17 15	15 10	16 20	17 15	15 10	
		3	0	0	0	-	-	-	-	-	-	
		4	0 4-0	0	0	-	-	-	-	-	-	
WU4	W3	1	0	0	2'-0"	0	0	2 4	-	-	-	1/S5.20
		2	0	0 2-0	4-0	0 5	0 2	0 5	-	-	-	
		3	0	0	0	-	-	-	-	-	-	
		4	0	0	0 4-0	-	-	-	-	-	-	
WU5	W3	1	0 6-0	0 5-0	0	0 10	0 5	0 15	-	-	-	1/S5.20
		2	0 5-0	4-0	2-0	0 10	9 2	0 15	-	-	-	
		3	0	0	0	-	-	-	-	-	-	
		4	0	0	0	-	-	-	-	-	-	
WU6	W2	1	2-0	0	0	20	20 15	14 10	20	20 15	14 10	2/S5.20
		2	0 2-0	2-0	0	18 20	20 15	20 10	19 20	20 15	20 10	
		3	0 2-0	0	0	-	-	-	-	-	-	
		4	0 2-0	0 3-0	0	-	-	-	-	-	-	
WU7	W3	1	0 5-0	0 3-0	0 2-0	0 5	0 5	0 5	-	-	-	1/S5.20
		2	0 4-0	0 2-0	0 2-0	0 5	0 5	0 5	-	-	-	
		3	0	0	0	-	-	-	-	-	-	
		4	0 2-0	0 1-0	0	-	-	-	-	-	-	
WU8	W3	1	0 6-0	0 5-0	0	0 10	0 5	0	-	-	-	1/S5.20
		2	4-0	4-0	5'-0"	10 ±	15 ±	0	-	-	-	
		3	0 1-0	0 1-0	0 2-0	-	-	-	-	-	-	
		4	0 1-0	0 1-0	0 1-0	-	-	-	-	-	-	



- Note:
- The exact amount and location of rivet replacement and new bolt installation shall be confirmed based on actual field conditions and subject to Engineer's approval.
 - For rivet repair information and details, see sheet S4.1.



SURVEY PLOTTED BY: _____ DATE: _____
 ORIGINAL PLAN: _____
 TRACED BY: _____
 DESIGNED BY: _____
 NOTEBOOK: _____
 QUANTITIES BY: _____
 CHECKED BY: _____
 No. _____

LICENSE EXPIRES: 4/30/16
THIS WORK WAS PREPARED BY ME OR UNDER MY SUPERVISION

STATE OF HAWAII
DEPARTMENT OF TRANSPORTATION
HIGHWAYS DIVISION

**REPAIR TABLES -
TRUSS WEB MEMBERS**

KAMEHAMEHA HIGHWAY
Repair and Repaint Karsten Thot Bridge
Federal Aid Project No. BR-080-1(012)

Scale: As Noted Date: Sept 2014

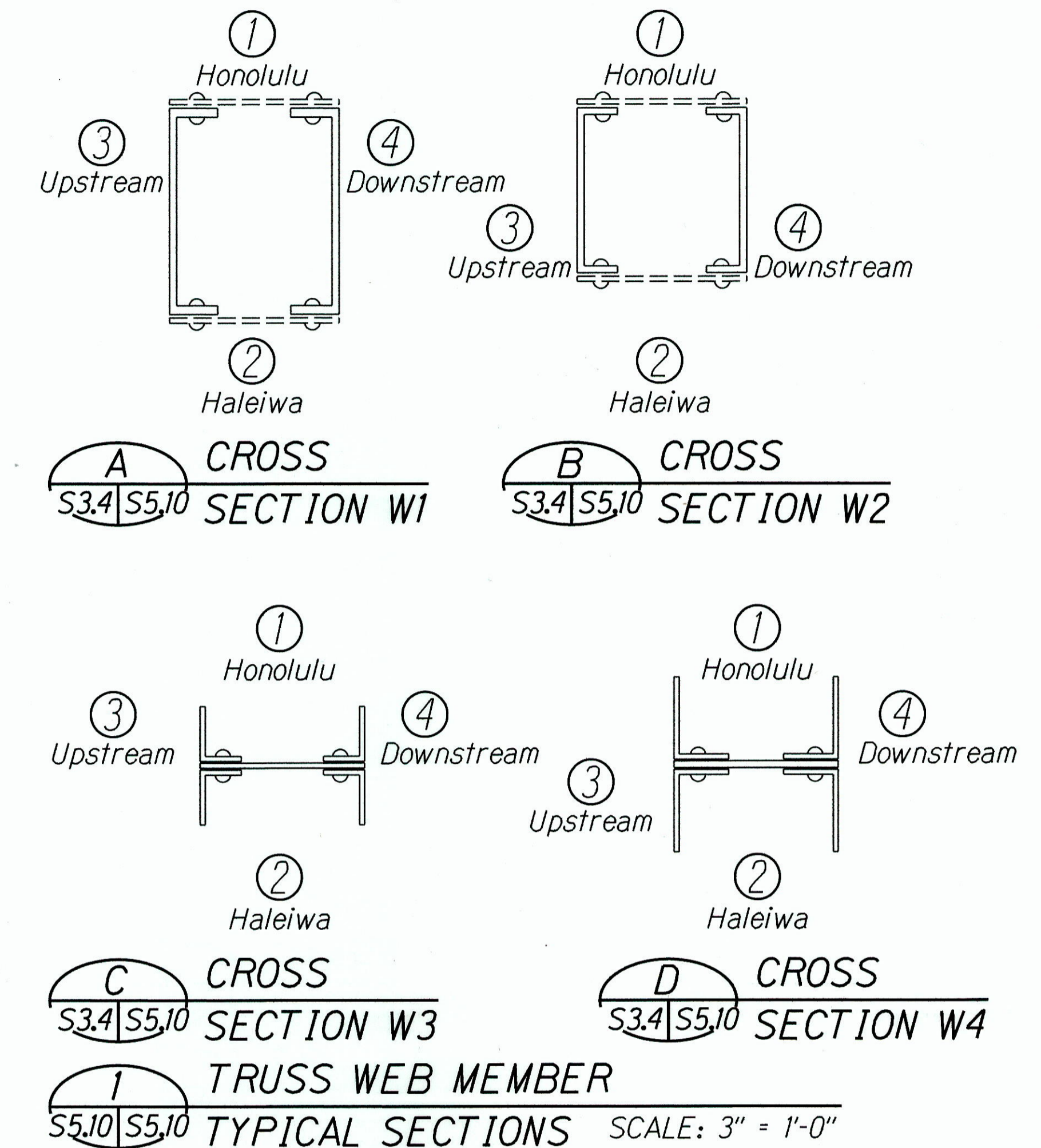
SHEET No. S5.9 OF 22 SHEETS

"AS-BUILT"

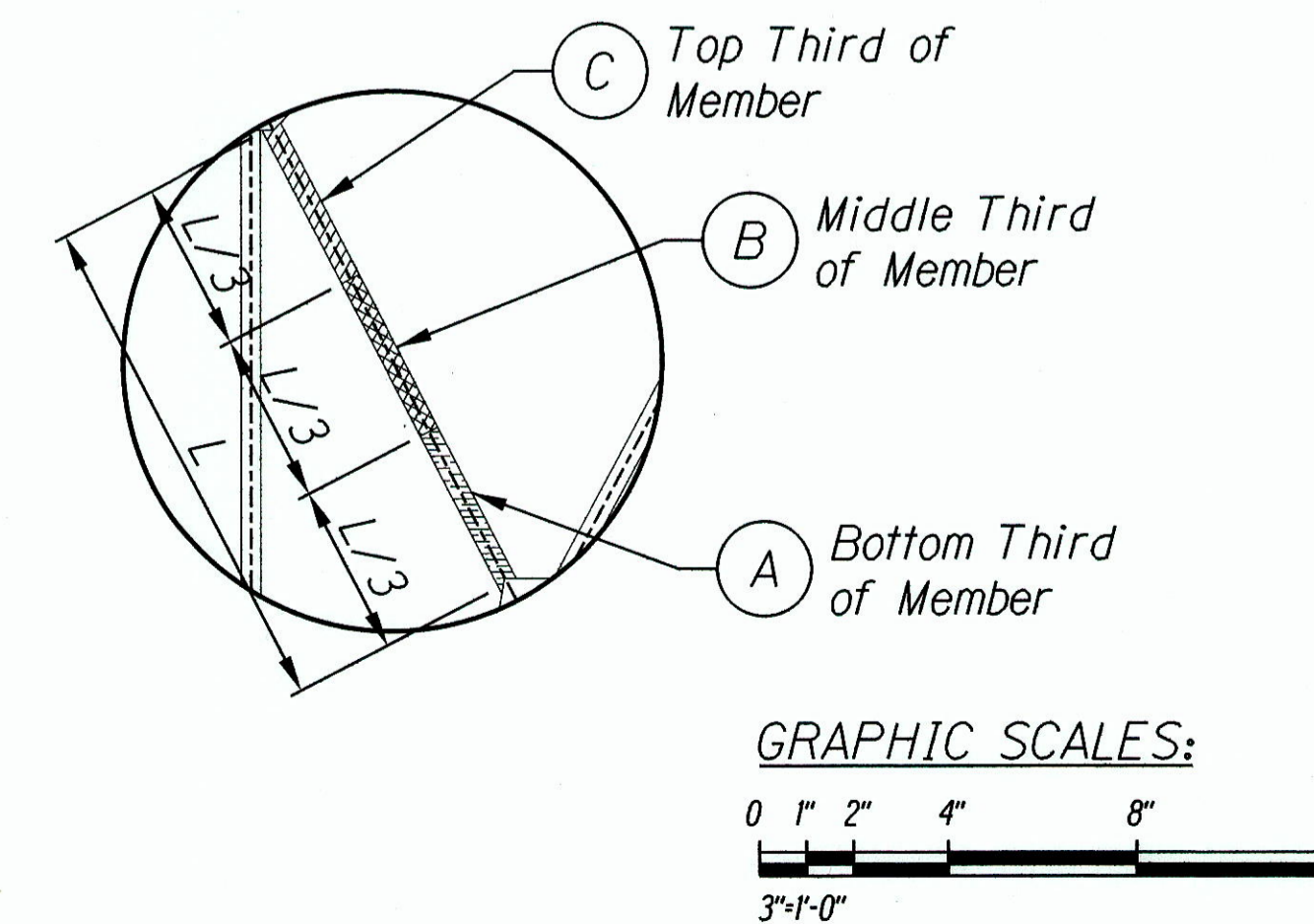
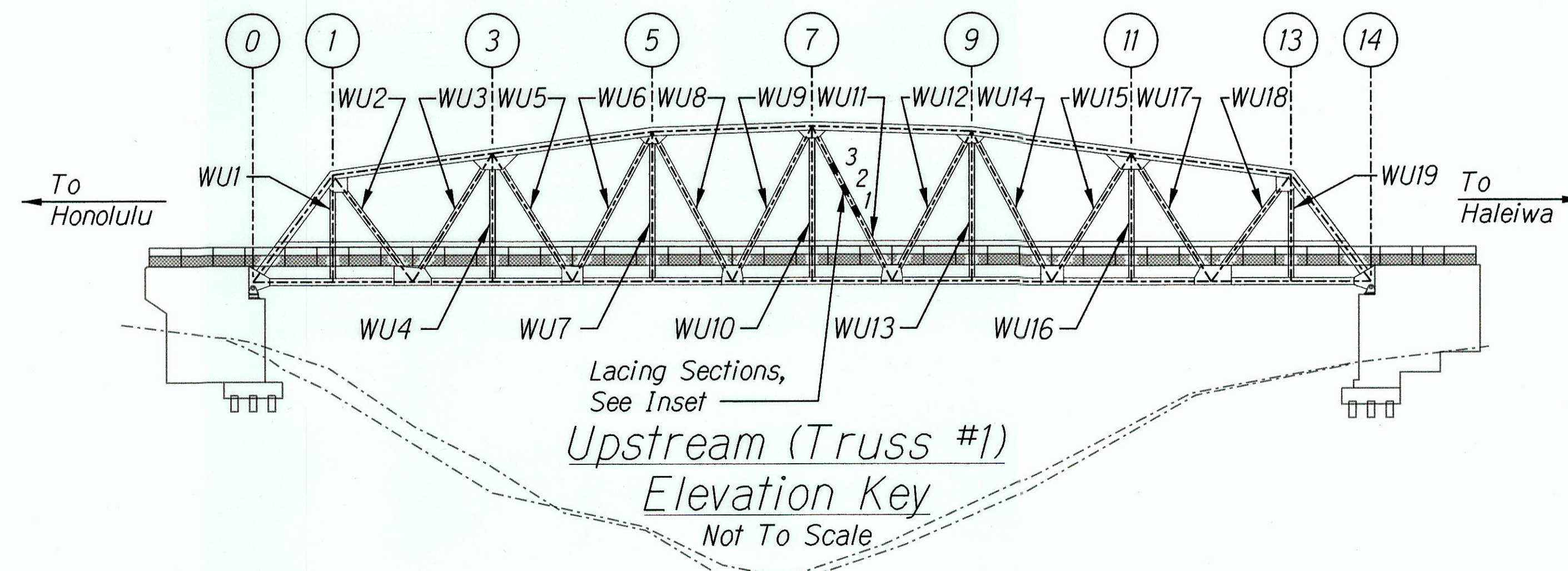
FED. ROAD DIST. NO.	STATE	FED AID PROJ. NO.	FISCAL YEAR	SHEET NO.	TOTAL SHEETS
HAWAII	HAW.	BR-080-K(012)	2014	49	82

TRUSS WEB MEMBER REPAIR SCHEDULE

Label	Cross Section Detail	Face	Member Repair Length (Ft)			No. of Rivets to be Replaced			No. of Lacing Bars to Replace			Repair Detail
			A	B	C	A	B	C	A	B	C	
WU9	W2	1	0	0	0	21-20	21-15	21-15	20	21-10	21-15	2/S5.20
		2	03-0	02-0	0	21-20	20-15	19-5	21-20	20-10	19-5	
		3	02-0	04-0	0	-	-	-	-	-	-	
		4	02-0	0	0	-	-	-	-	-	-	
WU10	W3	1	04-0	0	0	0-2	0-2	0	-	-	-	1/S5.20
		2	01-0	06-0	0	0	0-2	0	-	-	-	
		3	0	0	0	-	-	-	-	-	-	
		4	0	0	0	-	-	-	-	-	-	
WU11	W2	1	8-0	5-0	0	21-20	20-15	20-25	20	20-10	20-25	2/S5.20
		2	03-0	06-0	7-0	21-20	21-15	21-25	20	21-10	21-25	
		3	05-0	06-0	07-0	-	-	-	-	-	-	
		4	05-0	08-0	02-0	-	-	-	-	-	-	
WU12	W3	1	01-0	01-0	08-0	0	0-1	0-5	-	-	-	1/S5.20
		2	05-0	02-0	03-0	0-5	0-5	0-15	-	-	-	
		3	0	0	04-0	-	-	-	-	-	-	
		4	0	0	0	-	-	-	-	-	-	
WU13	W3	1	03-0	0	0	0-1	0-2	3-0	-	-	-	1/S5.20
		2	03-0	02-0	0	0-2	0-2	3-2	-	-	-	
		3	06-0	0	0	-	-	-	-	-	-	
		4	0	0	0	-	-	-	-	-	-	
WU14	W2	1	8-0	10-0	1-0	18-20	19-15	19-25	18-20	19-10	19-25	2/S5.20
		2	5-0	6-0	15-0	20-20	20-15	20-30	18-20	20-10	20-30	
		3	1-0	07-0	01-0	-	-	-	-	-	-	
		4	04-0	06-0	01-0	-	-	-	-	-	-	
WU15	W3	1	0	01-0	02-0	0-2	0-5	0-10	-	-	-	1/S5.20
		2	04-0	09-0	09-0	0-5	0-10	0-15	-	-	-	
		3	0	01-0	01-0	-	-	-	-	-	-	
		4	01-0	01-0	02-0	-	-	-	-	-	-	
WU16	W3	1	03-0	0	02-0	0-3	0-1	0-5	-	-	-	1/S5.20
		2	01-0	0	03-0	0-1	0-5	0-10	-	-	-	
		3	0	03-0	04-0	-	-	-	-	-	-	
		4	0	0	04-0	-	-	-	-	-	-	



- Note:
- The exact amount and location of rivet replacement and new bolt installation shall be confirmed based on actual field conditions and subject to Engineer's approval.
 - For rivet repair information and details, see sheet S4.1.



DATE: _____
 SURVEY PLOTTED BY: _____
 DESIGNED BY: _____
 CHECKED BY: _____
 ORIGINAL PLAN NO. _____
 NOTEBOOK NO. _____

STATE OF HAWAII
 DEPARTMENT OF TRANSPORTATION
 HIGHWAYS DIVISION

REPAIR TABLES - TRUSS WEB MEMBERS

KAMEHAMEHA HIGHWAY
 Repair and Repaint Karsten Thot Bridge
 Federal Aid Project No. BR-080-K(012)

Scale: As Noted Date: Sept 2014
 SHEET No. S5.10 OF 22 SHEETS

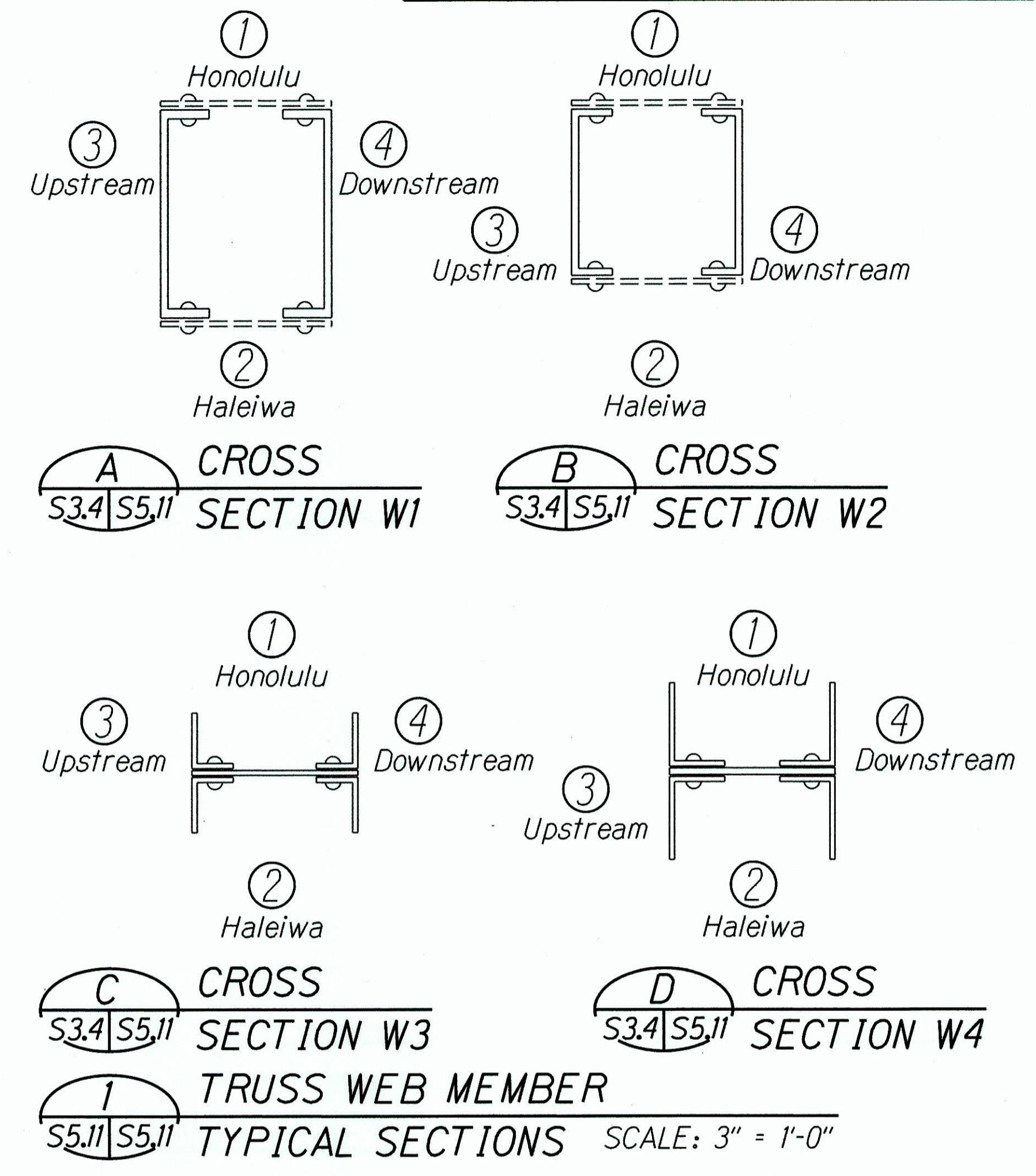
GEORGE O. GUTIERREZ JR.
 LICENSED PROFESSIONAL ENGINEER
 NO. 12107-S
 HAWAII, U.S.A.
 LICENSE EXPIRES: 4/30/16
 THIS WORK WAS PREPARED BY ME OR UNDER MY SUPERVISION

"AS-BUILT"

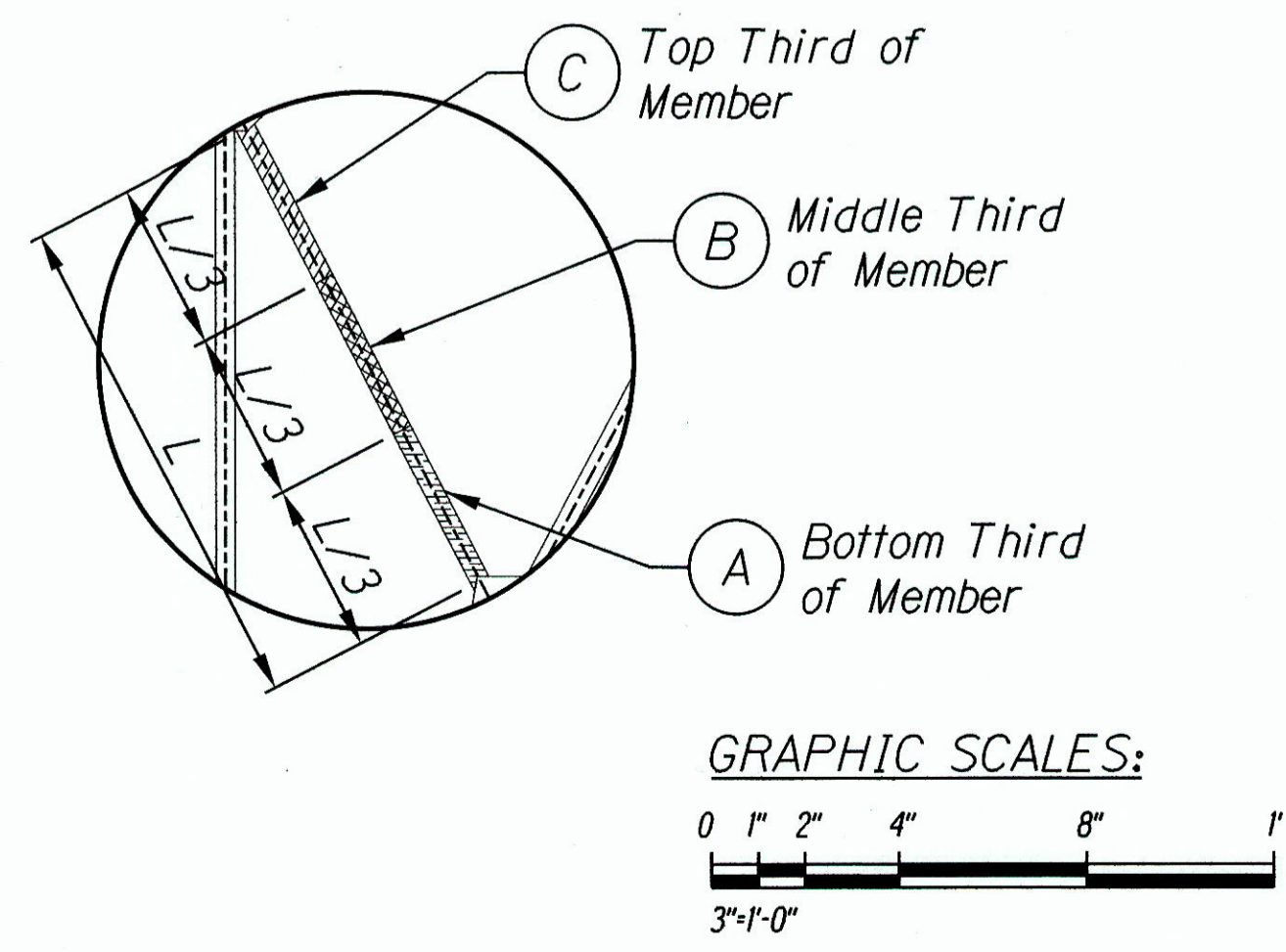
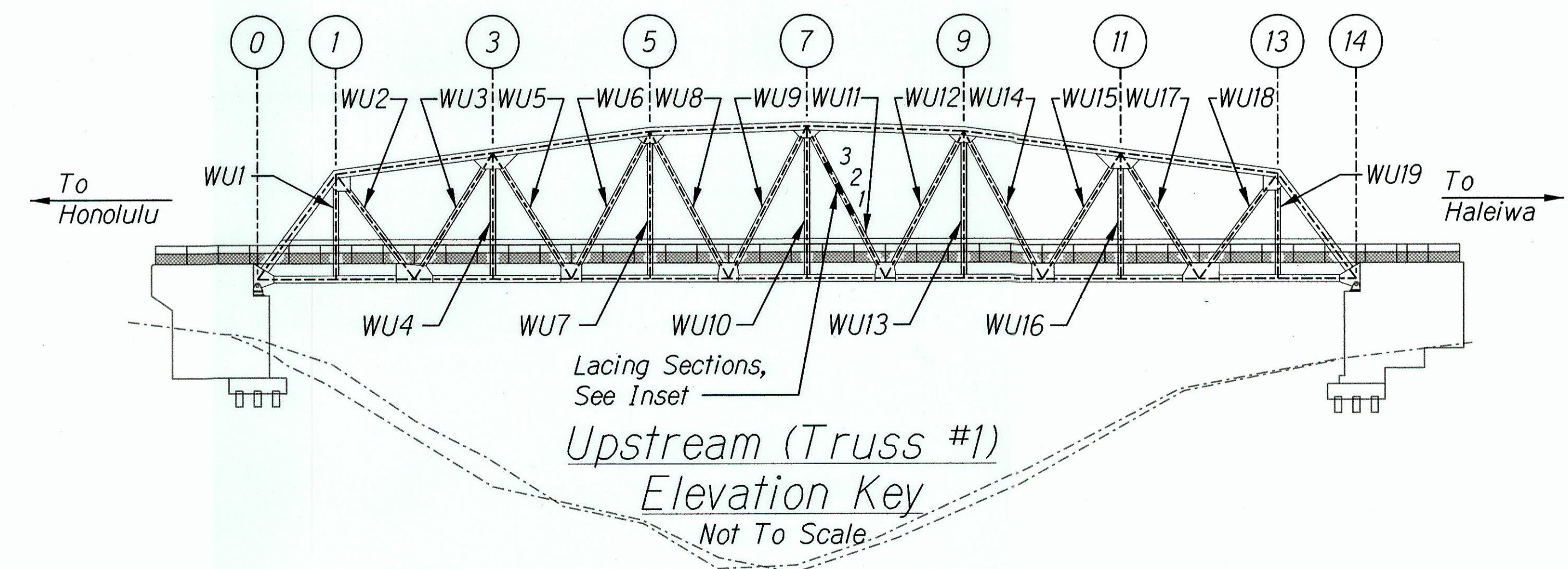
FED. ROAD DIST. NO.	STATE	FED AID PROJ. NO.	FISCAL YEAR	SHEET NO.	TOTAL SHEETS
HAWAII	HAW.	BR-080-1(012)	2014	50	82

TRUSS WEB MEMBER BEAM REPAIR SCHEDULE

Label	Cross Section Detail	Face	Member Repair Length (Ft)			No. of Rivets to be Replaced			No. of Lacing Bars to Replace			Repair Detail
			A	B	C	A	B	C	A	B	C	
WU17	W1	1	0	0	0	18 25	17 15	17 25	16 20	17 15	5 10	2/S5.20
		2	1-0"	2-0"	0	17 25	18 15	17 25	16 20	18 15	17 10	
		3	0-6-0"	0-3-0"	0	-	-	-	-	-	-	
		4	0-2-0"	0	0	-	-	-	-	-	-	
WU18	W4	1	0	1-0"	0	0 15	0 5	2 0	-	-	-	1/S5.20
		2	0	0	0	0 2	0 1	0	-	-	-	
		3	0	0	0	-	-	-	-	-	-	
		4	0	0	0	-	-	-	-	-	-	
WU19	W3	1	0	0	0	0	0	0	-	-	-	1/S5.20
		2	0	0-1-0"	0	0 1	0	0	-	-	-	
		3	0	0	0	-	-	-	-	-	-	
		4	0	0	0	-	-	-	-	-	-	



- Note:**
- The exact amount and location of rivet replacement and new bolt installation shall be confirmed based on actual field conditions and subject to Engineer's approval.
 - For rivet repair information and details, see sheet S4.1.



SURVEY PLOTTED BY _____ DATE _____
 DRAWN BY _____
 DESIGNED BY _____
 CHECKED BY _____
 QUANTITIES BY _____
 No. _____

STATE OF HAWAII
DEPARTMENT OF TRANSPORTATION
HIGHWAYS DIVISION

**REPAIR TABLES -
TRUSS WEB MEMBERS**

KAMEHAMEHA HIGHWAY
Repair and Repaint Karsten Thot Bridge
Federal Aid Project No. BR-080-1(012)

Scale: No Scale Date: Sept 2014

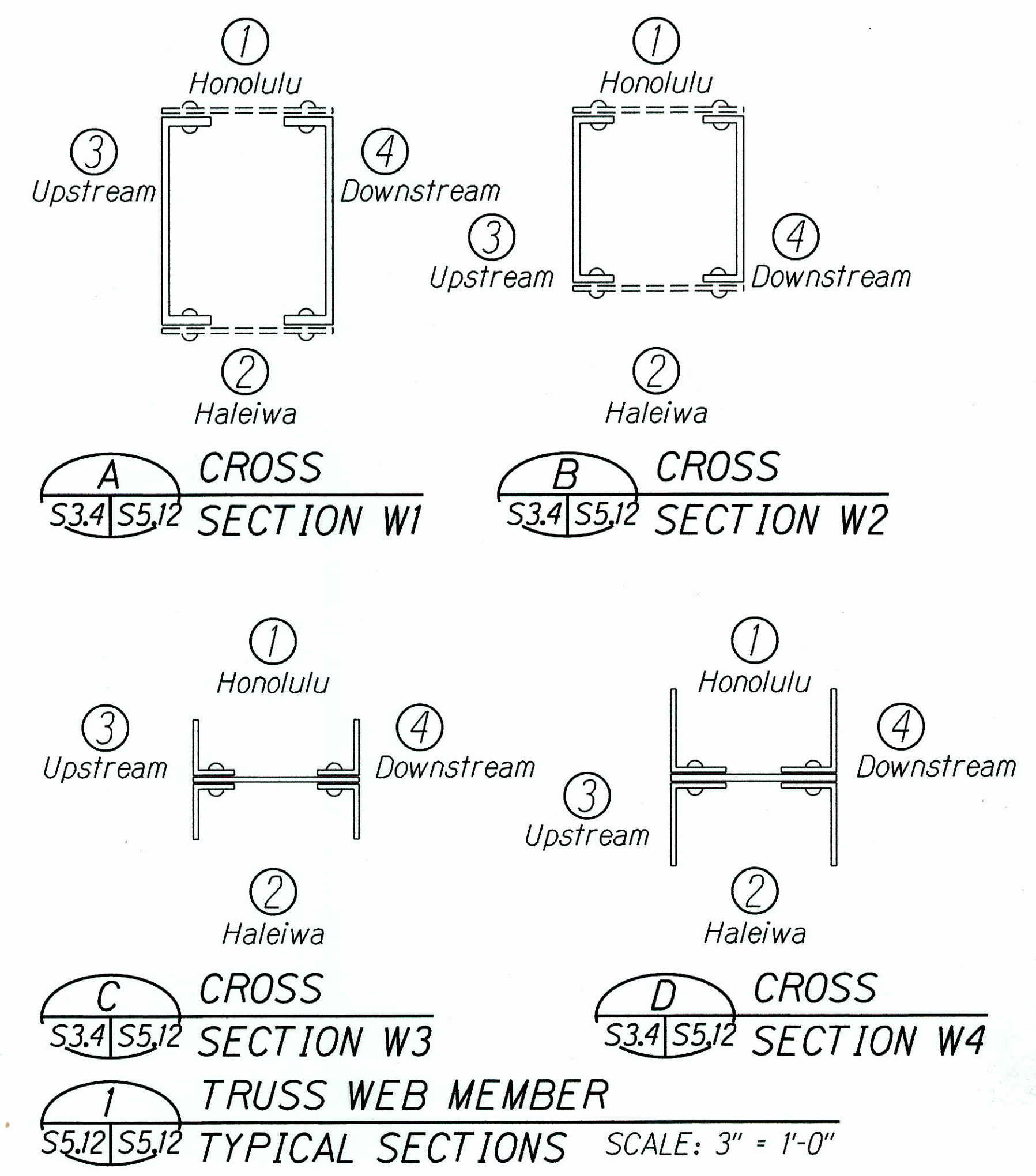
SHEET No. S5.11 OF 22 SHEETS

"AS-BUILT"

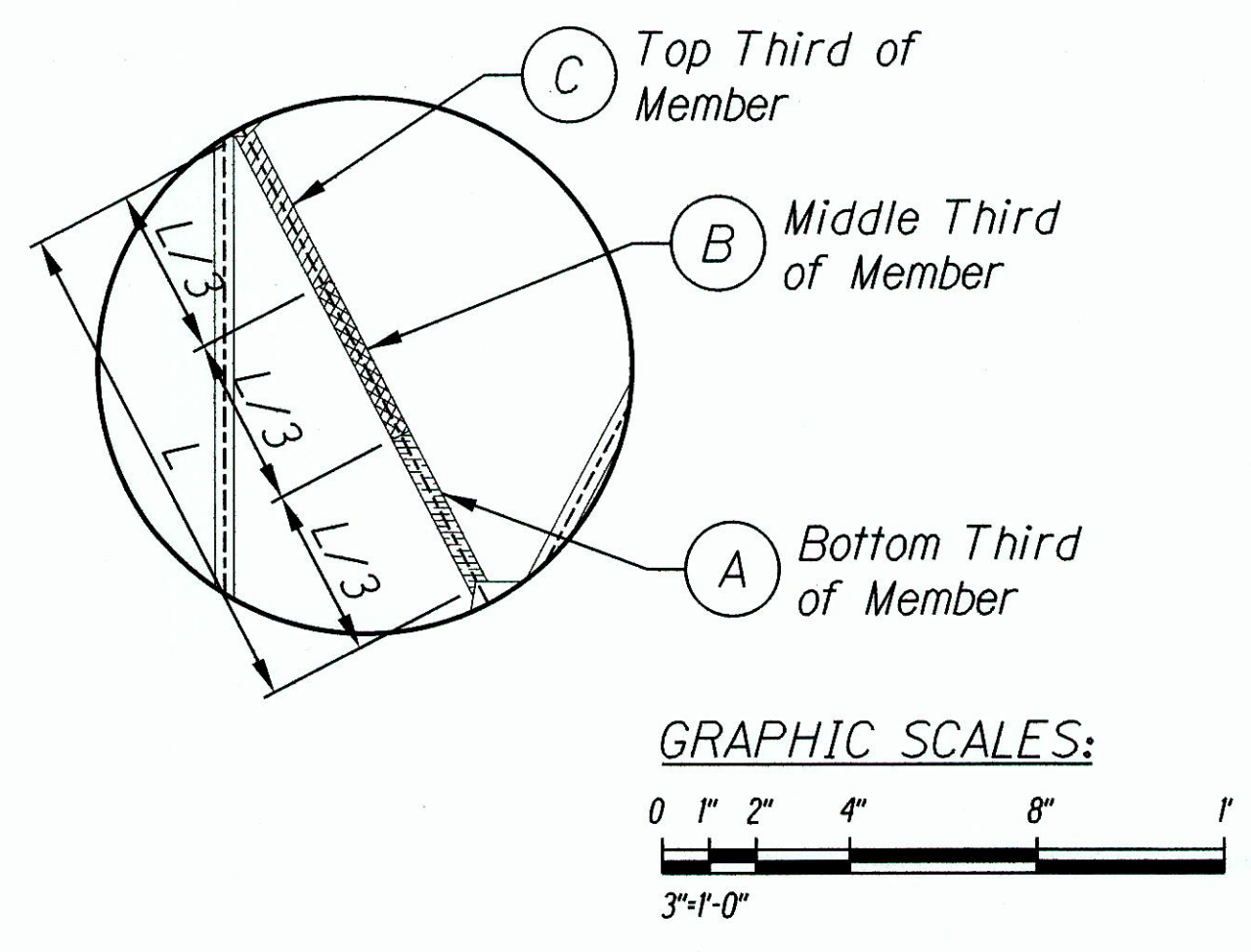
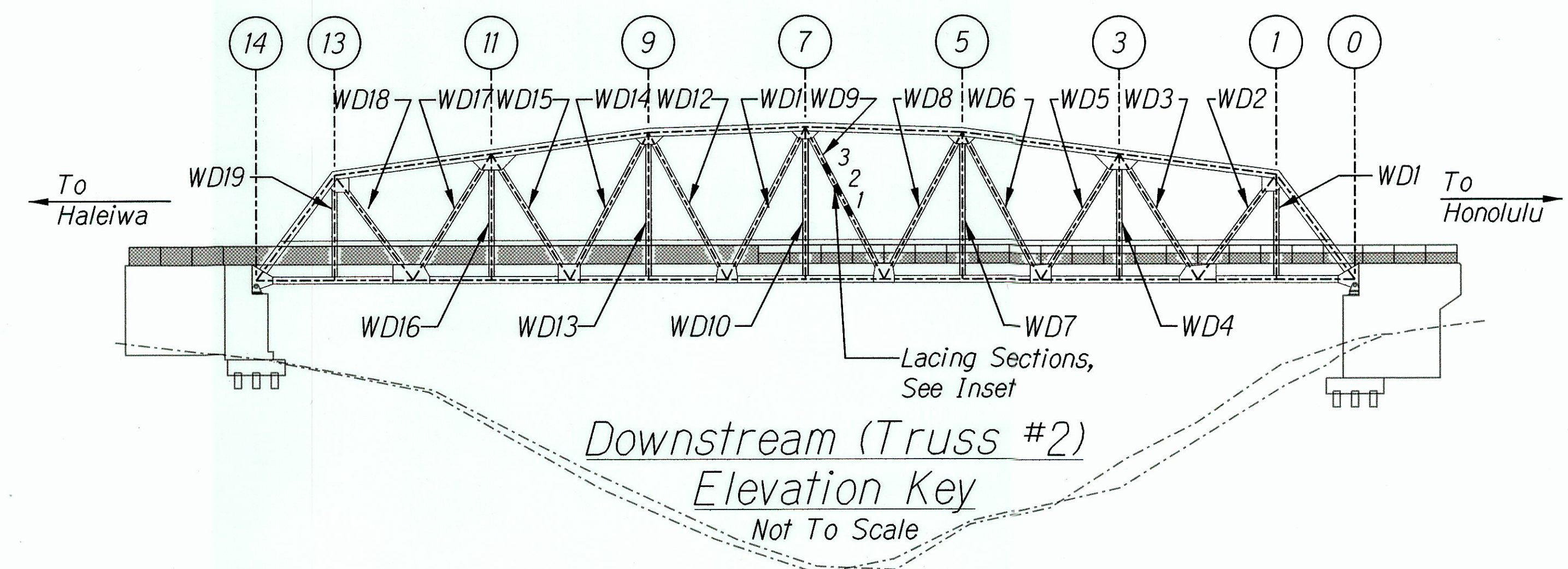
FED. ROAD DIST. NO.	STATE	FED AID PROJ. NO.	FISCAL YEAR	SHEET NO.	TOTAL SHEETS
HAWAII	HAW.	BR-080-1(012)	2014	51	82

TRUSS WEB MEMBER REPAIR SCHEDULE

Label	Cross Section Detail	Face	Member Repair Length (Ft)			No. of Rivets to be Replaced			No. of Lacing Bars to Replace			Repair Detail
			A	B	C	A	B	C	A	B	C	
WD1	W3	1	0	0	0	0	0 5	0	-	-	-	1/S5.20
		2	0	0	0	0	0 15	0	-	-	-	
		3	0	0	0	-	-	-	-	-	-	
		4	0	0	0	-	-	-	-	-	-	
WD2	W4	1	0	0	0	0	3 10	0	-	-	-	1/S5.20
		2	0 2	2 2	3 0	0	4 5	3 10	-	-	-	
		3	0	0	0	-	-	-	-	-	-	
		4	0	0	0	-	-	-	-	-	-	
WD3	W1	1	0	0	0	19 10	18 10	11 5	18 5	18 10	11 5	2/S5.20
		2	0	0	0	17 20	17 20	8 15	16 20	17 20	7 15	
		3	0	0	0	-	-	-	-	-	-	
		4	0	0	0	-	-	-	-	-	-	
WD4	W3	1	0	0	0 2	0	0	3 0	-	-	-	1/S5.20
		2	0 1 0	0	0 2	0 5	0 15	3 0	-	-	-	
		3	0	0	0	-	-	-	-	-	-	
		4	0	0	0	-	-	-	-	-	-	
WD5	W3	1	0 10 0	0 10 0	0 0	0 5	0	0	-	-	-	1/S5.20
		2	0 2 0	0 0	5 0	0	0	0	-	-	-	
		3	0	0	0	-	-	-	-	-	-	
		4	0	0	0	-	-	-	-	-	-	
WD6	W2	1	0	0	0	0 10	0 10	0 5	0 5	0 5	0 5	2/S5.20
		2	0	0	0	21 15	20 15	21 25	3 15	20 10	16 20	
		3	0 1 0	0 1 0	0	-	-	-	-	-	-	
		4	0	0	0	-	-	-	-	-	-	
WD7	W3	1	0 2 0	0	0	0	0	0	-	-	-	1/S5.20
		2	0	0	0 2 0	0 5	0	0 5	-	-	-	
		3	0	0	0	-	-	-	-	-	-	
		4	0	0	0	-	-	-	-	-	-	
WD8	W3	1	0 1 0	0	0 1 0	0	0	0 5	-	-	-	1/S5.20
		2	0	0	0 5 0	0	0	0 5	-	-	-	
		3	0	0	0	-	-	-	-	-	-	
		4	0	0	0	-	-	-	-	-	-	



- Note:
- The exact amount and location of rivet replacement and new bolt installation shall be confirmed based on actual field conditions and subject to Engineer's approval.
 - For rivet repair information and details, see sheet S4.1.



DATE: _____
 SURVEY PLOTTED BY: _____
 DRAWN BY: _____
 DESIGNED BY: _____
 CHECKED BY: _____
 NO. _____

STATE OF HAWAII
DEPARTMENT OF TRANSPORTATION
HIGHWAYS DIVISION

**REPAIR TABLES -
TRUSS WEB MEMBERS**

KAMEHAMEHA HIGHWAY
Repair and Repaint Karsten Thot Bridge
Federal Aid Project No. BR-080-1(012)

Scale: As Noted Date: Sept 2014

SHEET No. S5.12 OF 22 SHEETS

GEORGE D. GUTIERREZ JR.
LICENSED PROFESSIONAL ENGINEER
NO. 12107-S
HAWAII, U.S.A.

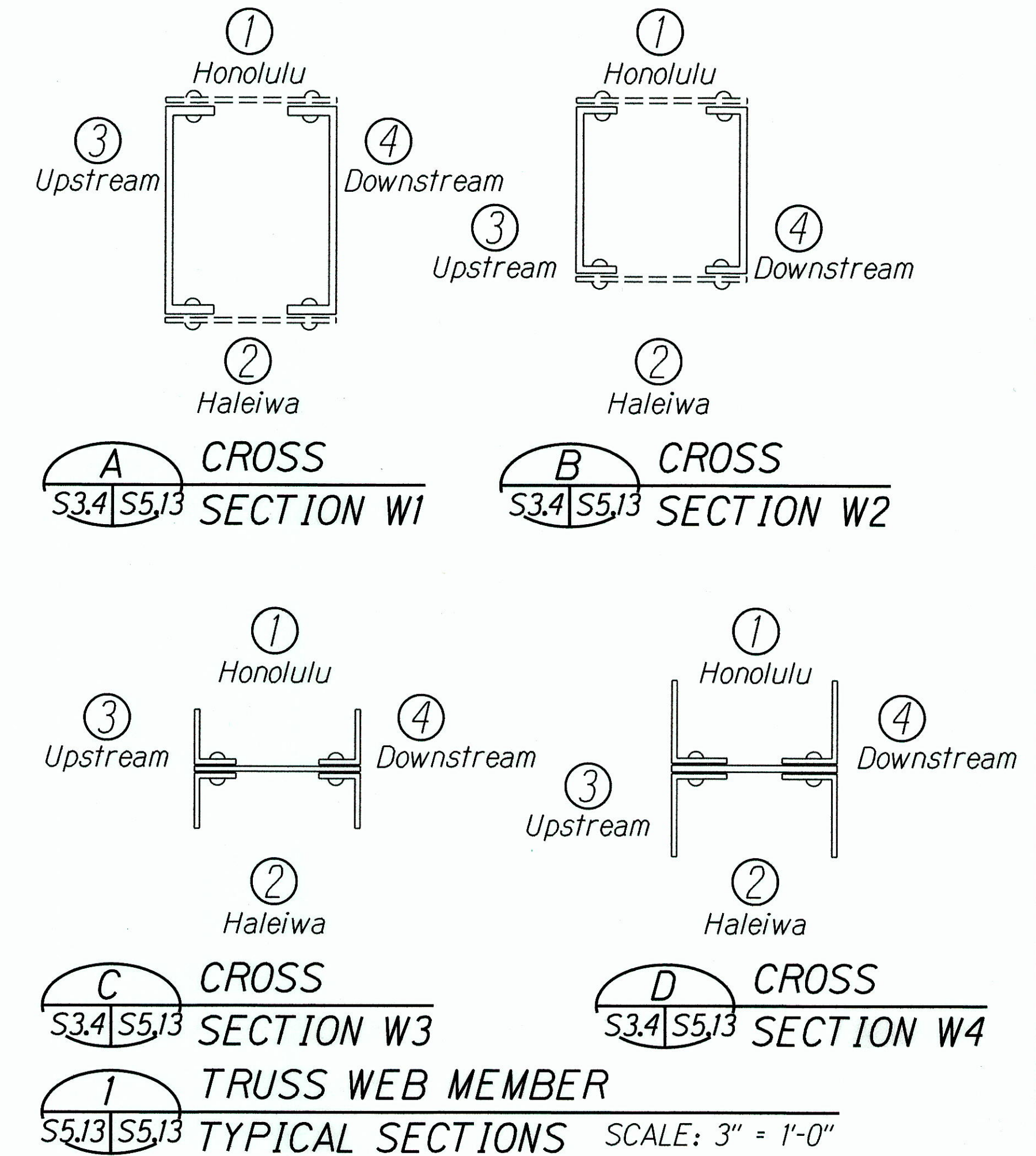
LICENSE EXPIRES: 4/30/16
THIS WORK WAS PREPARED BY ME OR UNDER MY SUPERVISION.

"AS-BUILT"

FED. ROAD DIST. NO.	STATE	FED AID PROJ. NO.	FISCAL YEAR	SHEET NO.	TOTAL SHEETS
HAWAII	HAW.	BR-080-1(012)	2014	52	82

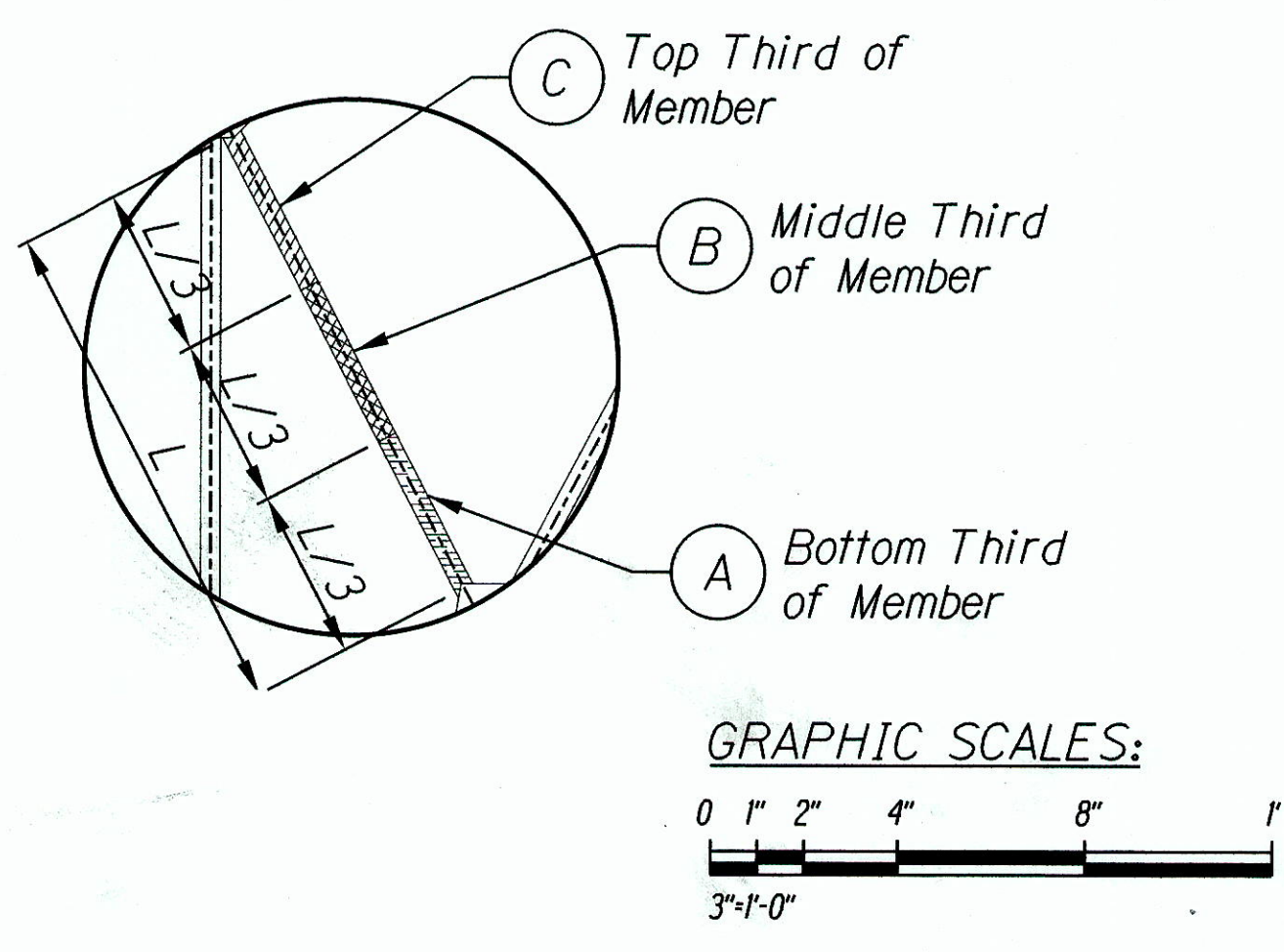
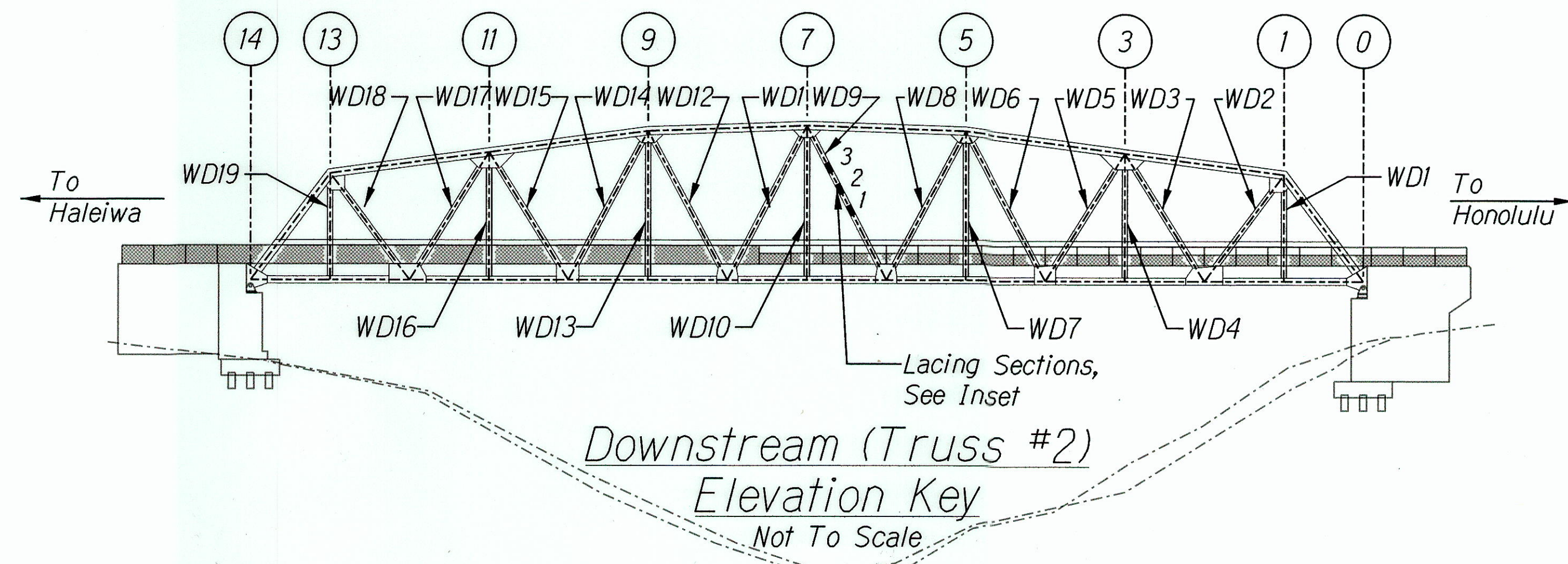
TRUSS WEB MEMBER REPAIR SCHEDULE

Label	Cross Section Detail	Face	Member Repair Length (Ft)			No. of Rivets to be Replaced			No. of Lacing Bars to Replace			Repair Detail
			A	B	C	A	B	C	A	B	C	
WD9	W2	1	0	0	0	9 10	18 5	11 10	2 5	14 10	3 10	2/S5.20
		2	0 1-0"	0	0	11 10	20	16 20	8 10	14 15	1 20	
		3	0	0	0	-	-	-	-	-	-	
		4	0	0	0	-	-	-	-	-	-	
WD10	W3	1	0	0	0	0	0	0	-	-	-	1/S5.20
		2	0	0	0	0 1	0	0	-	-	-	
		3	0	0	0	-	-	-	-	-	-	
		4	0	0	0	-	-	-	-	-	-	
WD11	W2	1	0	0	0	20 15	18 20	16 10	12 5	14 15	4 10	2/S5.20
		2	0	0	0	21 20	21 5	21 10	20 15	21 15	18 10	
		3	0	0	0	-	-	-	-	-	-	
		4	0	0	0	-	-	-	-	-	-	
WD12	W3	1	0	0	0	0 1	0 5	0 5	-	-	-	1/S5.20
		2	0 3-0"	0 2-0"	0	0 5	0 5	0 5	-	-	-	
		3	0	0	0	-	-	-	-	-	-	
		4	0	0	0	-	-	-	-	-	-	
WD13	W3	1	0 2-0"	0	2'-0"	0	0	3 10	-	-	-	1/S5.20
		2	0	0	0 1-0"	0 2	0 3	3 10	-	-	-	
		3	0	0	0	-	-	-	-	-	-	
		4	0	0	0	-	-	-	-	-	-	
WD14	W2	1	0 1-0"	0	0	19 15	18 10	12 10	15	18 10	12 5	2/S5.20
		2	0	0	0	20 15	19 15	20 10	16 15	19 15	20 5	
		3	0 1-0"	0	0	-	-	-	-	-	-	
		4	0	0 1-0"	0	-	-	-	-	-	-	
WD15	W3	1	0	0	0 3-0"	0	0	0	-	-	-	1/S5.20
		2	0 1-0"	0 7-0"	0	0 10	0 5	0	-	-	-	
		3	0	0	0	-	-	-	-	-	-	
		4	0	0	0	-	-	-	-	-	-	
WD16	W3	1	0 1-0"	0	0 3-0"	0	0	0	-	-	-	1/S5.20
		2	0 1-0"	0	0	0	0 5	0	-	-	-	
		3	0	0	0	-	-	-	-	-	-	
		4	0	0	0	-	-	-	-	-	-	



- Note:
- The exact amount and location of rivet replacement and new bolt installation shall be confirmed based on actual field conditions and subject to Engineer's approval.
 - For rivet repair information and details, see sheet S4.1.

SURVEY PLOTTED BY _____ DATE _____
 DRAWN BY _____
 TRACED BY _____
 QUANTITIES BY _____
 CHECKED BY _____
 ORIGINAL PLAN _____
 NOTEBOOK _____
 No. _____



GEORGE O. GUTIERREZ, JR.
LICENSED PROFESSIONAL ENGINEER
NO. 12107-S
HAWAII, U.S.A.

LICENSE EXPIRES: 4/30/16
THIS WORK WAS PREPARED BY ME OR UNDER MY SUPERVISION

George O. Gutierrez, Jr.

STATE OF HAWAII
DEPARTMENT OF TRANSPORTATION
HIGHWAYS DIVISION

REPAIR TABLES -
TRUSS WEB MEMBERS

KAMEHAMEHA HIGHWAY
Repair and Repaint Karsten Thot Bridge
Federal Aid Project No. BR-080-1(012)

Scale: As Noted Date: Sept 2014

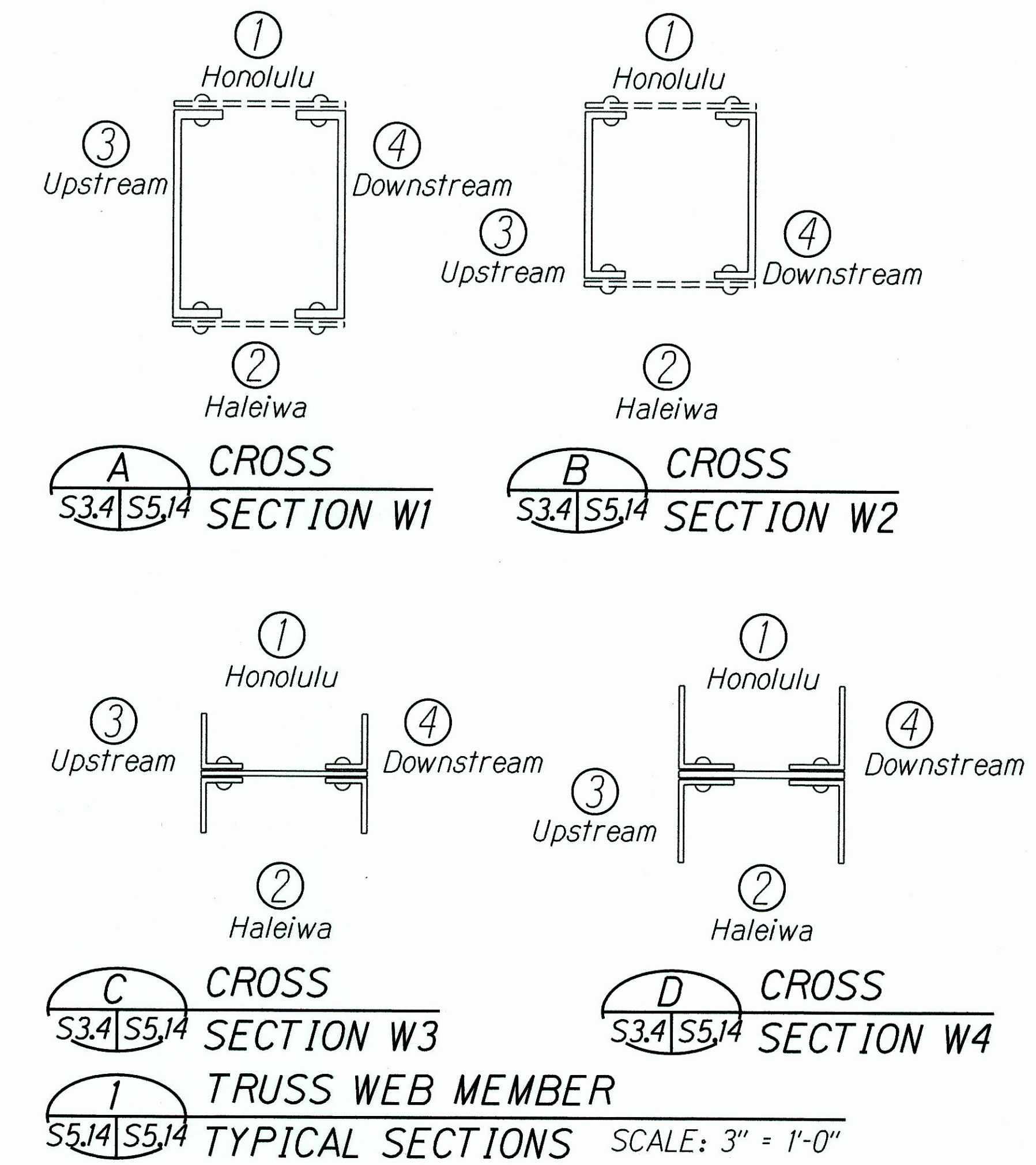
SHEET No. S5.13 OF 22 SHEETS

"AS-BUILT"

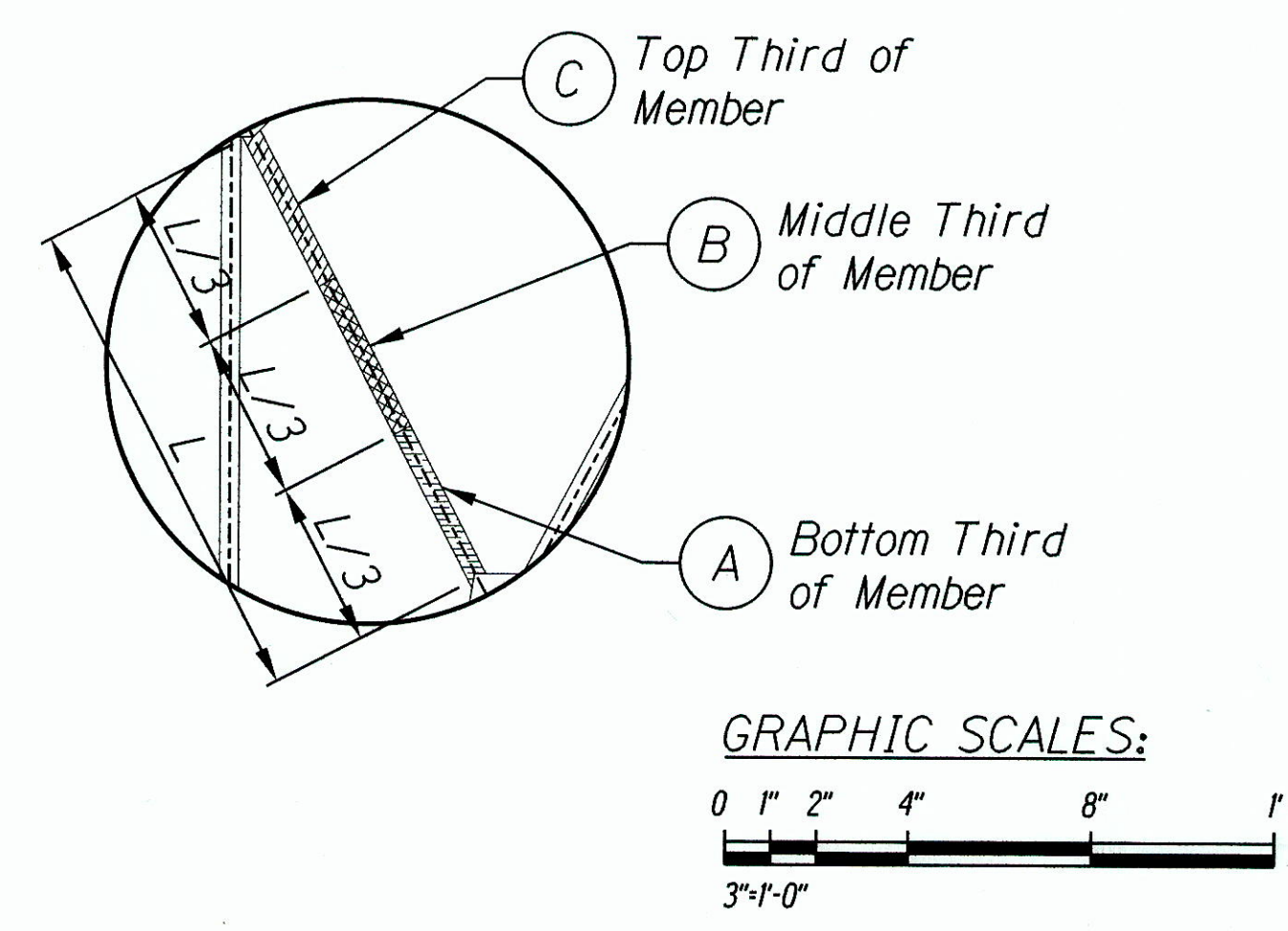
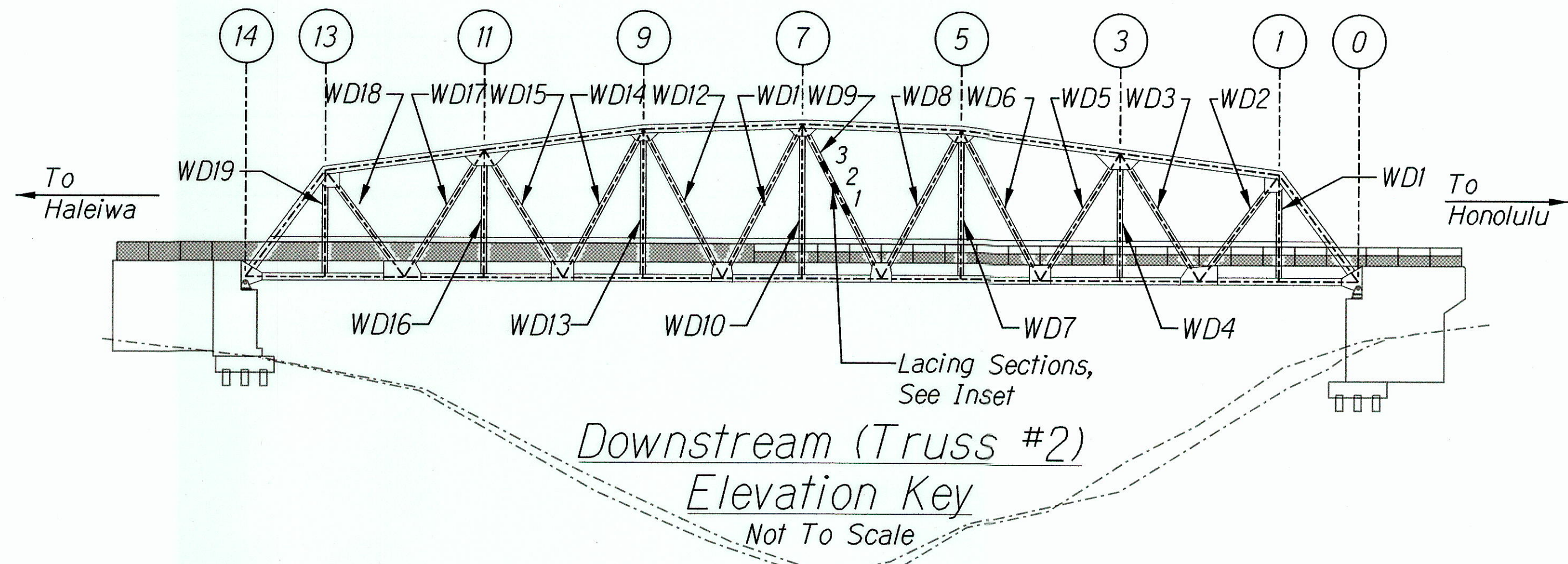
FED. ROAD DIST. NO.	STATE	FED AID PROJ. NO.	FISCAL YEAR	SHEET NO.	TOTAL SHEETS
HAWAII	HAW.	BR-080-1(012)	2014	53	82

TRUSS WEB MEMBER REPAIR SCHEDULE

Label	Cross Section Detail	Face	Member Repair Length (Ft)			No. of Rivets to be Replaced			No. of Lacing Bars to Replace			Repair Detail
			A	B	C	A	B	C	A	B	C	
WD17	W1	1	0	0	0	18 - 20	18 - 10	18 - 10	16 - 20	17 - 10	4 - 5	2/S5.20
		2	0	0	0	17 - 20	17 - 10	4 - 10	17 - 20	18 - 5	18 - 5	
		3	0	0	0	-	-	-	-	-	-	
		4	0	0	0	-	-	-	-	-	-	
WD18	W4	1	0-1-0	0-2-0	0	0-15	0-10	0	-	-	-	1/S5.20
		2	0	0	0	0	0	0	-	-	-	
		3	0	0	0	-	-	-	-	-	-	
		4	0	0	0	-	-	-	-	-	-	
WD19	W3	1	0	0	0	0	0	0	-	-	-	1/S5.20
		2	0	0	0	0	0	0	-	-	-	
		3	0-1-0	0	0	-	-	-	-	-	-	
		4	0	0	0	-	-	-	-	-	-	



- Note:
- The exact amount and location of rivet replacement and new bolt installation shall be confirmed based on actual field conditions and subject to Engineer's approval.
 - For rivet repair information and details, see sheet S4.I.



STATE OF HAWAII
DEPARTMENT OF TRANSPORTATION
HIGHWAYS DIVISION

**REPAIR TABLES -
TRUSS WEB MEMBERS**

KAMEHAMEHA HIGHWAY
Repair and Repaint Karsten Thot Bridge
Federal Aid Project No. BR-080-1(012)

Scale: No Scale Date: Sept 2014

SHEET No. S5.14 OF 22 SHEETS

GEORGE O. GUTIERREZ, JR.
LICENSED PROFESSIONAL ENGINEER
NO. 12107-S
HAWAII, U.S.A.

LICENSE EXPIRES: 4/30/16
THIS WORK WAS PREPARED BY ME OR UNDER MY SUPERVISION

George O. Gutierrez, Jr.

SURVEY PLOTTED BY _____ DATE _____
 DESIGNED BY _____
 QUANTITIES BY _____
 CHECKED BY _____
 ORIGINAL PLAN _____
 NO. _____

"AS-BUILT"