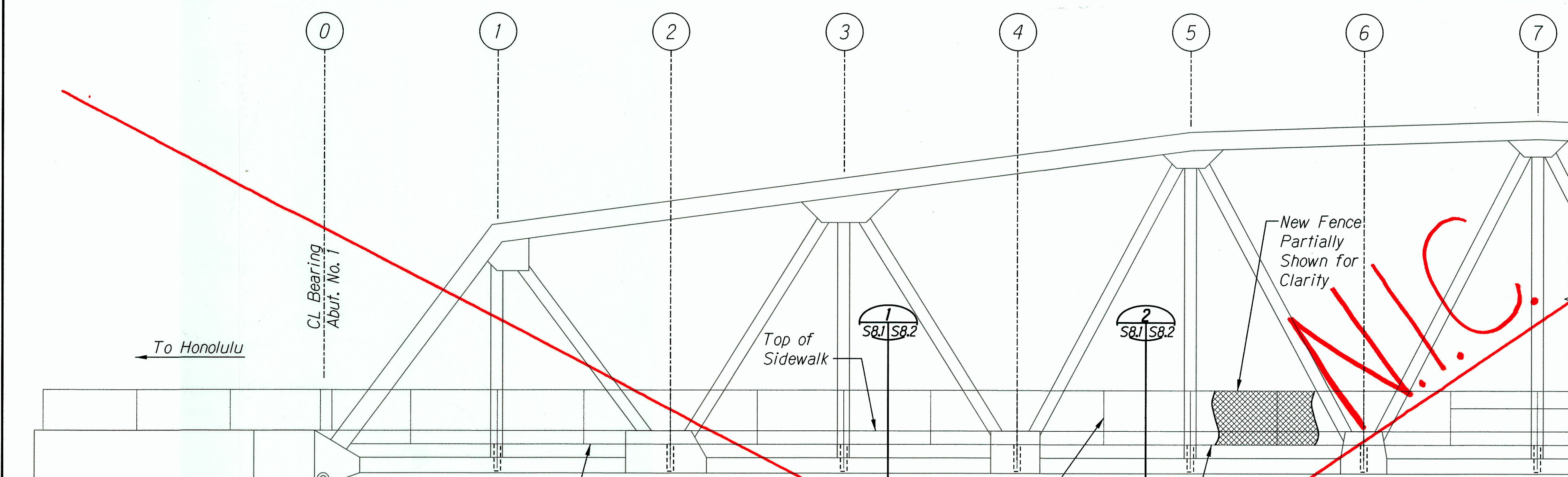
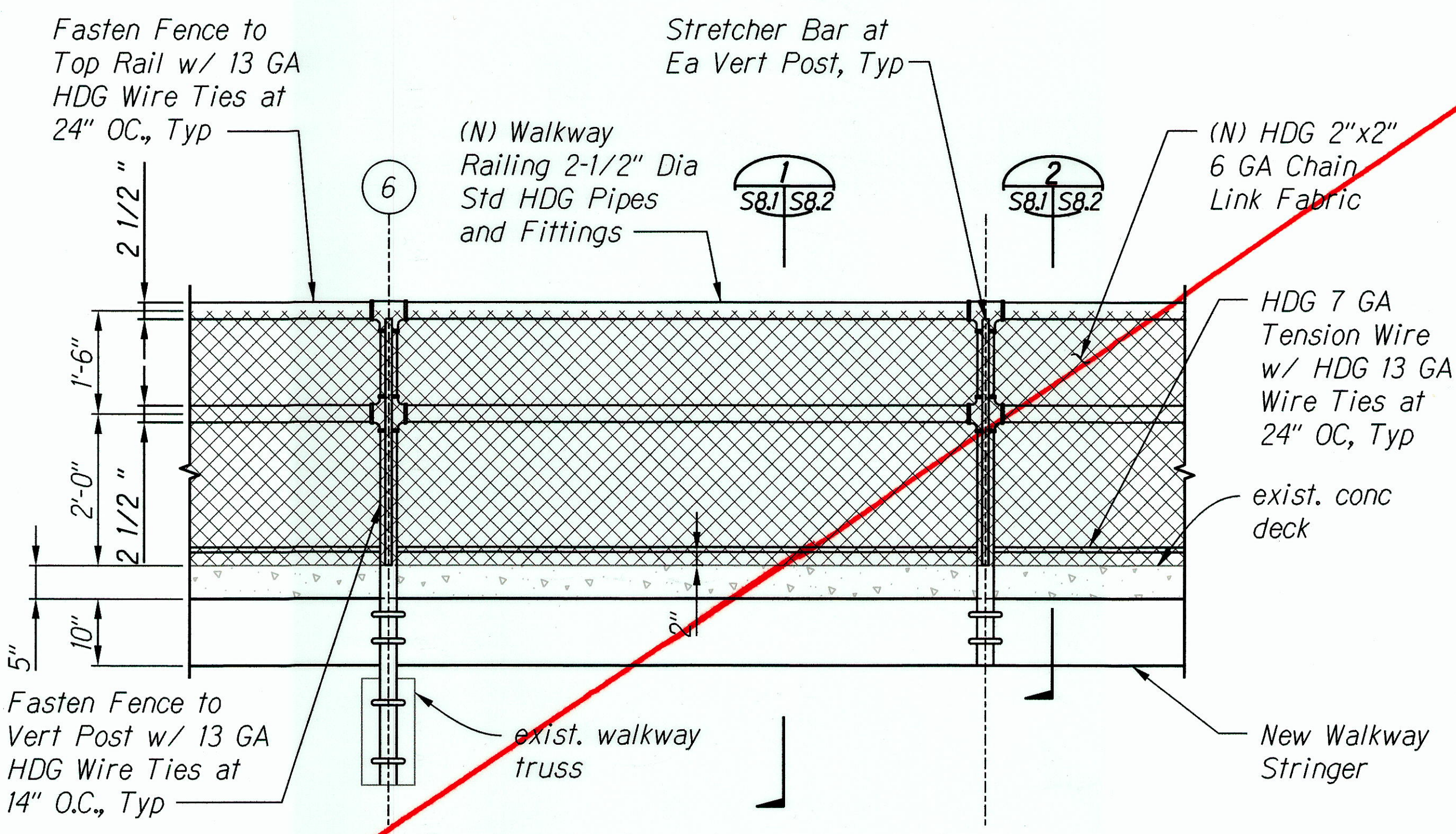


FED. ROAD DIST. NO.	STATE	FED AID PROJ. NO.	FISCAL YEAR	SHEET NO.	TOTAL SHEETS
HAWAII	HAW.	BR-080-1(012)	2014	80	82

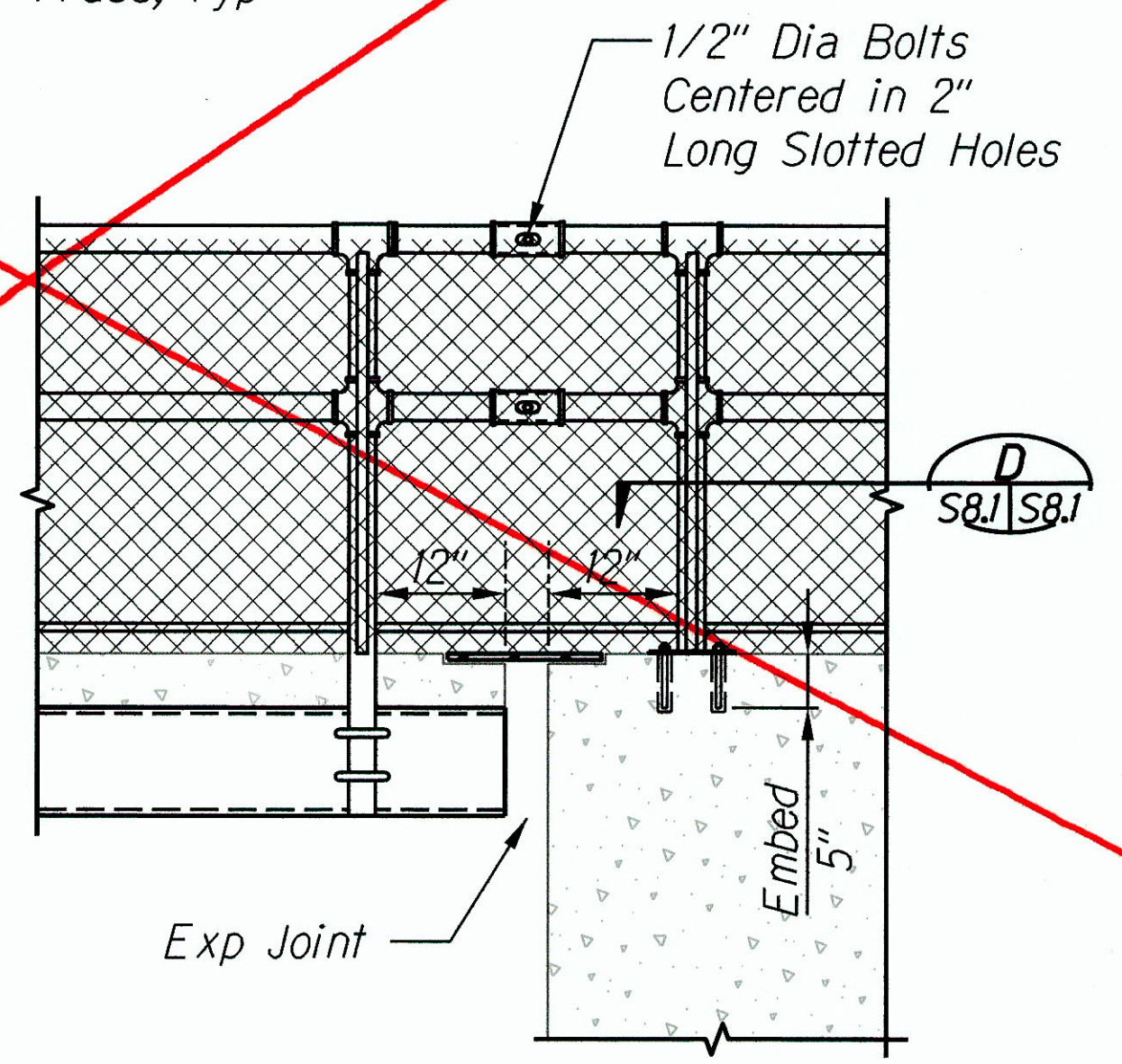


- Notes:**
1. Contractor to field verify As-Built dimensions as required.
  2. Downstream railing elevation similar.
  3. For painting of walkway railing, see sheet S9.1.

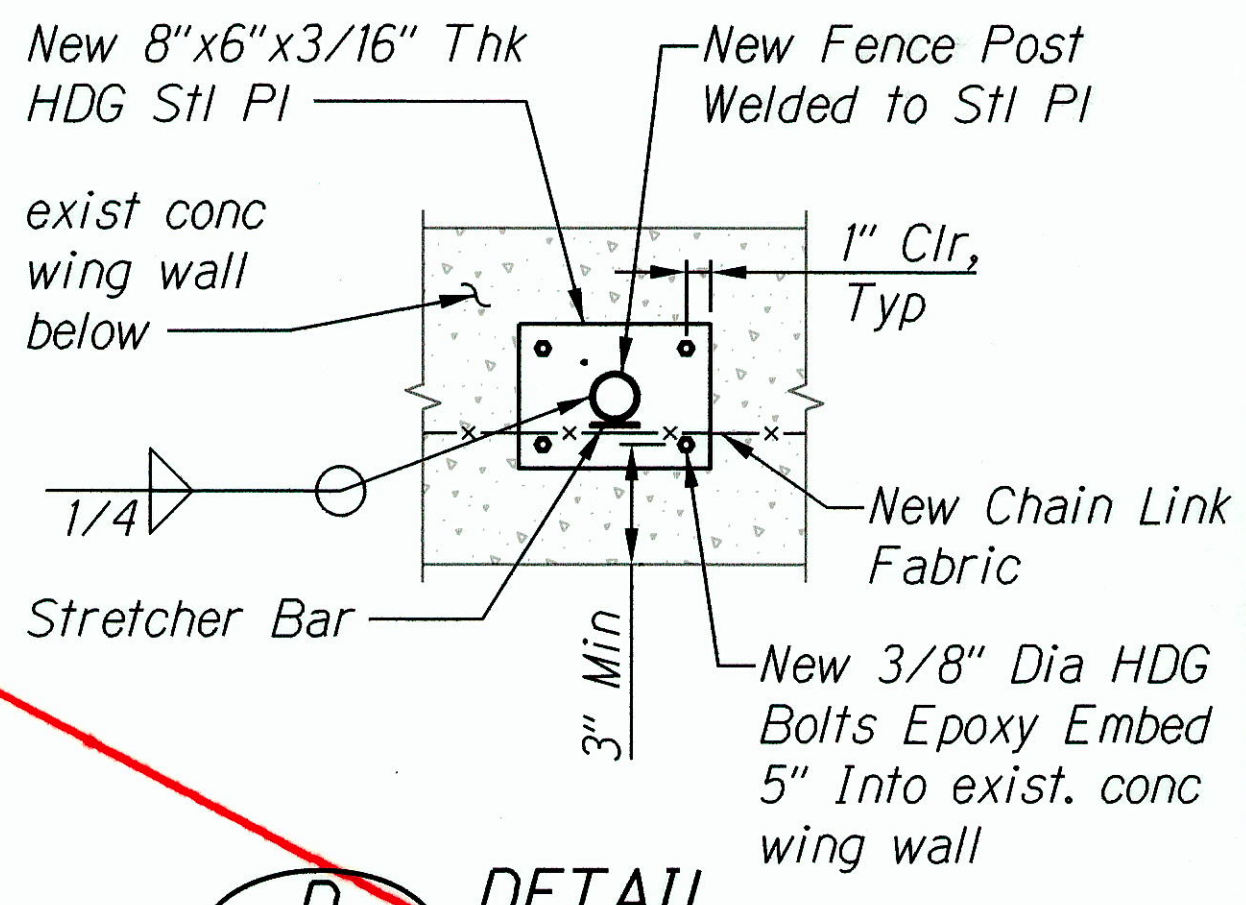
**A UPSTREAM PARTIAL RAILING ELEVATION**  
 S8.1/S8.1 SCALE: 3/16" = 1'-0"



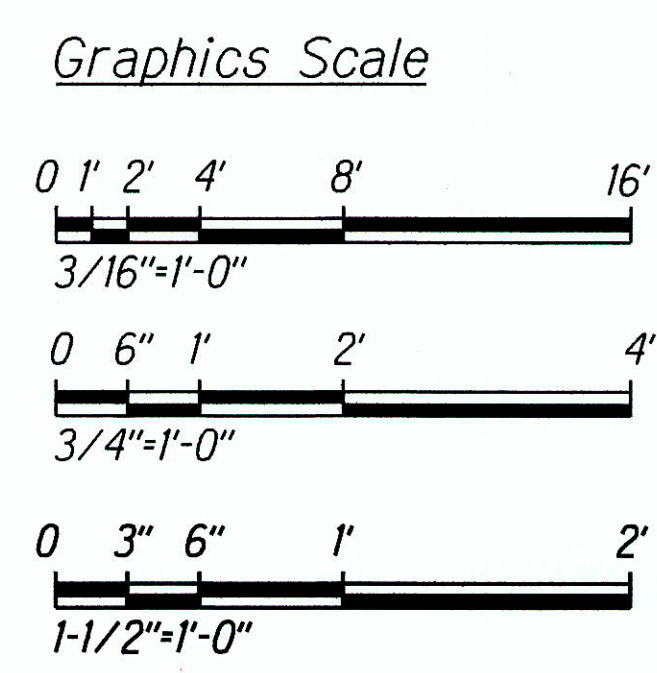
**B TYPICAL RAILING ELEVATION CLOSE-UP**  
 S8.1, S8.2/S8.1 SCALE: 3/4" = 1'-0"



**C RAILING AT EXPANSION JOINT**  
 S8.1/S8.1 SCALE: 3/4" = 1'-0"



**D DETAIL**  
 S8.1/S8.1 SCALE: 1-1/2" = 1'-0"



SURVEY PLOTTED BY	DATE
DRAWN BY	
TRACED BY	
DESIGNED BY	
CHECKED BY	
ORIGINAL PLAN	
NO.	

STATE OF HAWAII  
 DEPARTMENT OF TRANSPORTATION  
 HIGHWAYS DIVISION

**UPSTREAM RAILING ELEVATION AND DETAILS**

KAMEHAMEHA HIGHWAY  
 Repair and Repaint Karsten Thot Bridge  
 Federal Aid Project No. BR-080-1(012)

Scale: As Noted Date: Sept 2014

SHEET No. S8.1 OF 2 SHEETS

GEORGE O. GUTIERREZ JR.  
 LICENSED PROFESSIONAL ENGINEER  
 NO. 12107-S  
 HAWAII, U.S.A.

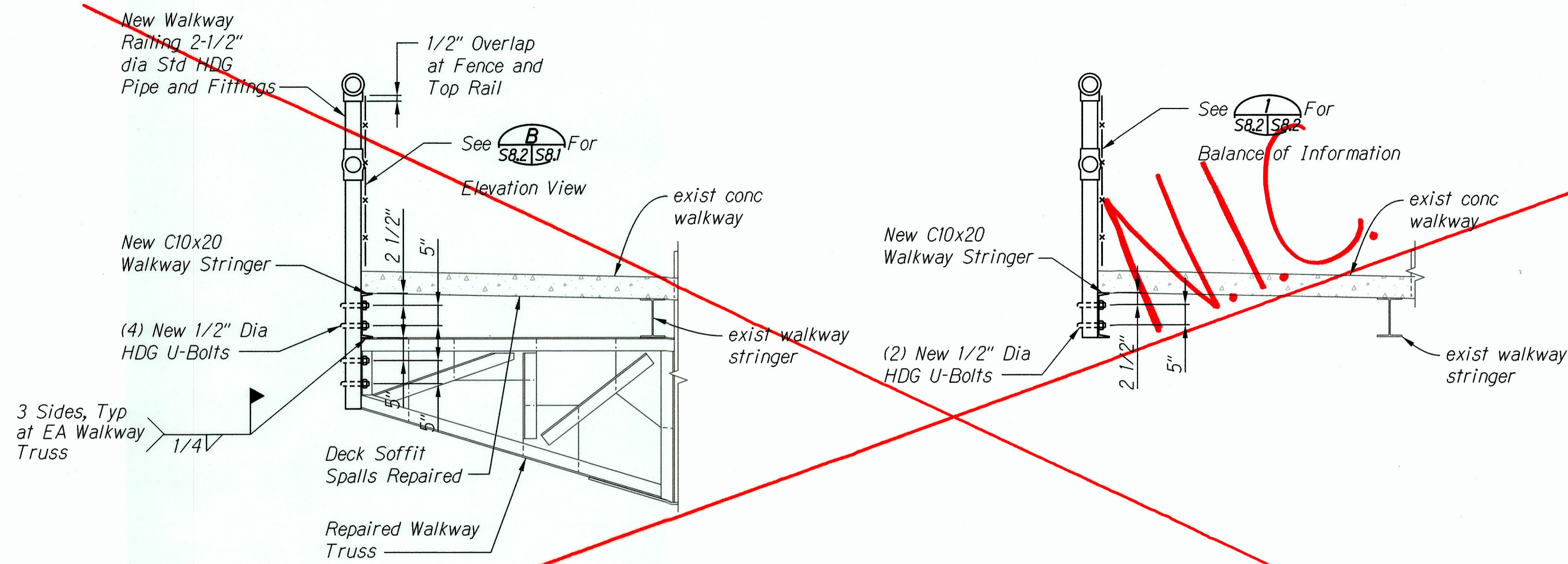
LICENSE EXPIRES: 4/30/16  
 THIS WORK WAS PREPARED BY ME OR UNDER MY SUPERVISION

**"AS-BUILT"**

FED. ROAD DIST. NO.	STATE	FED AID PROJ. NO.	FISCAL YEAR	SHEET NO.	TOTAL SHEETS
HAWAII	HAW.	BR-080-1(012)	2014	81	82

Note:

Contractor to field verify As-Built dimensions as required.

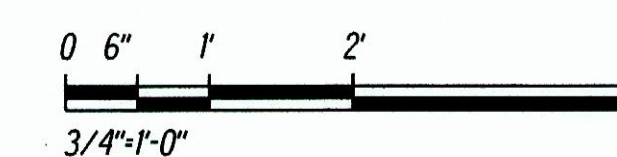



1 RAILING REPAIR AT GRIDLINES  
S8.1, S8.2 | S8.2 SCALE: 3/4" = 1'-0"

2 INTERMEDIATE RAILING REPAIR DETAIL  
S8.1 | S8.2 SCALE: 3/4" = 1'-0"

SURVEY PLOTTED BY	DATE
DESIGNED BY	
NOTED BY	
QUANTITIES BY	
CHECKED BY	
ORIGINAL PLAN	
NO.	

Graphics Scale





LICENSE EXPIRES: 4/30/16  
THIS WORK WAS PREPARED BY ME OR UNDER MY SUPERVISION

*George O. Gutierrez*

STATE OF HAWAII  
DEPARTMENT OF TRANSPORTATION  
HIGHWAYS DIVISION

**RAILING REPAIR DETAILS**

KAMEHAMEHA HIGHWAY  
Repair and Repaint Karsten Thot Bridge  
Federal Aid Project No. BR-080-1(012)

Scale: 3/4" = 1'-0"      Date: Sept 2014

SHEET No. S8.2 OF 2 SHEETS

"AS-BUILT"