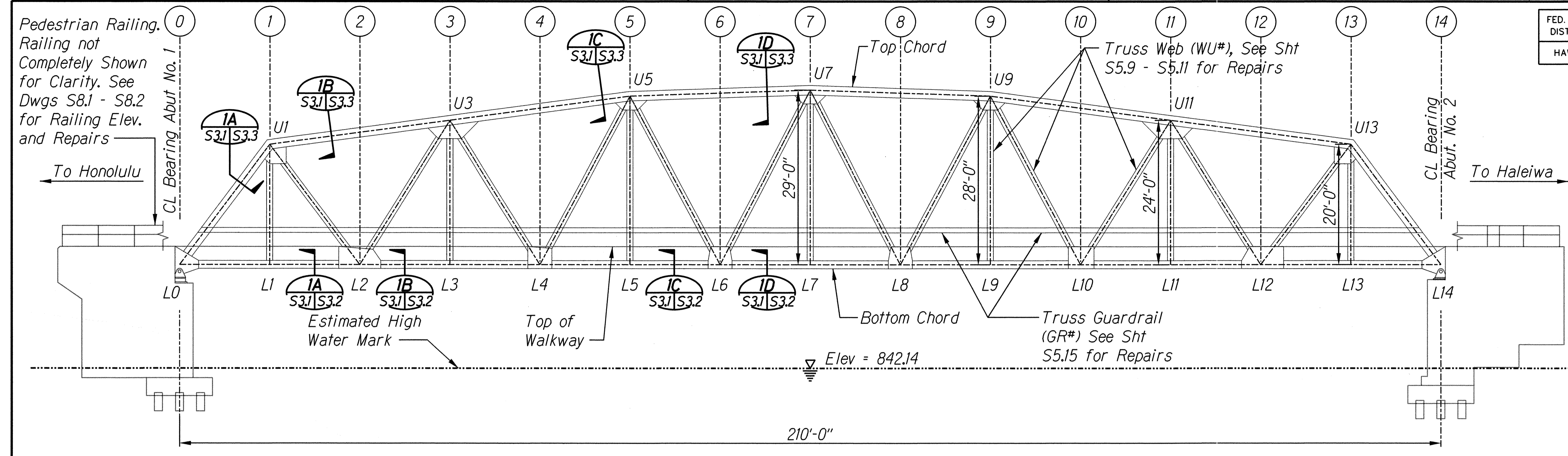
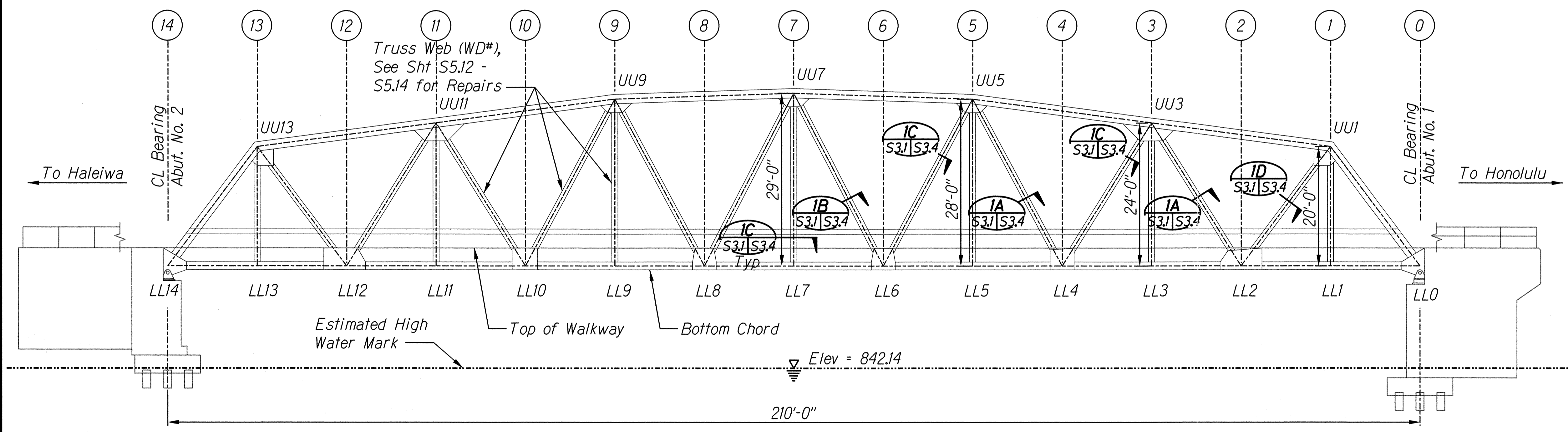


FED. ROAD DIST. NO.	STATE	FED AID PROJ. NO.	FISCAL YEAR	SHEET NO.	TOTAL SHEETS
HAWAII	HAW.	BR-080-1(012)	2014	27	82

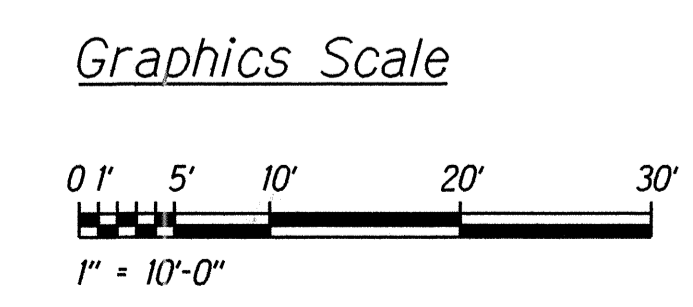


- Notes:
1. Refer to General Notes on Sheets S1.1 and S1.2 for Structural Notes and Typical Detail Sheets for Additional Information.
 2. Refer to Sheets S4-Series - S8-Series for Repair Table and Schedules.
 3. Refer to Sheet S9.1 for Painting Notes.
 4. U#, L# Indicates Name of Truss Connection for Reference Purposes.
 5. All dimensions shown are from ext drawings. Field verify as required.
 6. Bridge truss members are symmetric about gridline 7.

1 UPSTREAM (EAST) TRUSS ELEVATION
S2.2, S2.3 | S3.1 (TRUSS #1) SCALE: 1" = 10'-0"



2 DOWNSTREAM (WEST) TRUSS ELEVATION
S2.2, S2.3 | S3.1 (TRUSS #2) SCALE: 1" = 10'-0"



SURVEY PLOTTED BY	DATE
DRAWN BY	
TRACED BY	
QUANTITIES BY	
CHECKED BY	
ORIGINAL PLAN	
NOTEBOOK	
No.	

LICENSE EXPIRES: 4/30/16
THIS WORK WAS PREPARED BY ME OR UNDER MY SUPERVISION

STATE OF HAWAII
DEPARTMENT OF TRANSPORTATION
HIGHWAYS DIVISION

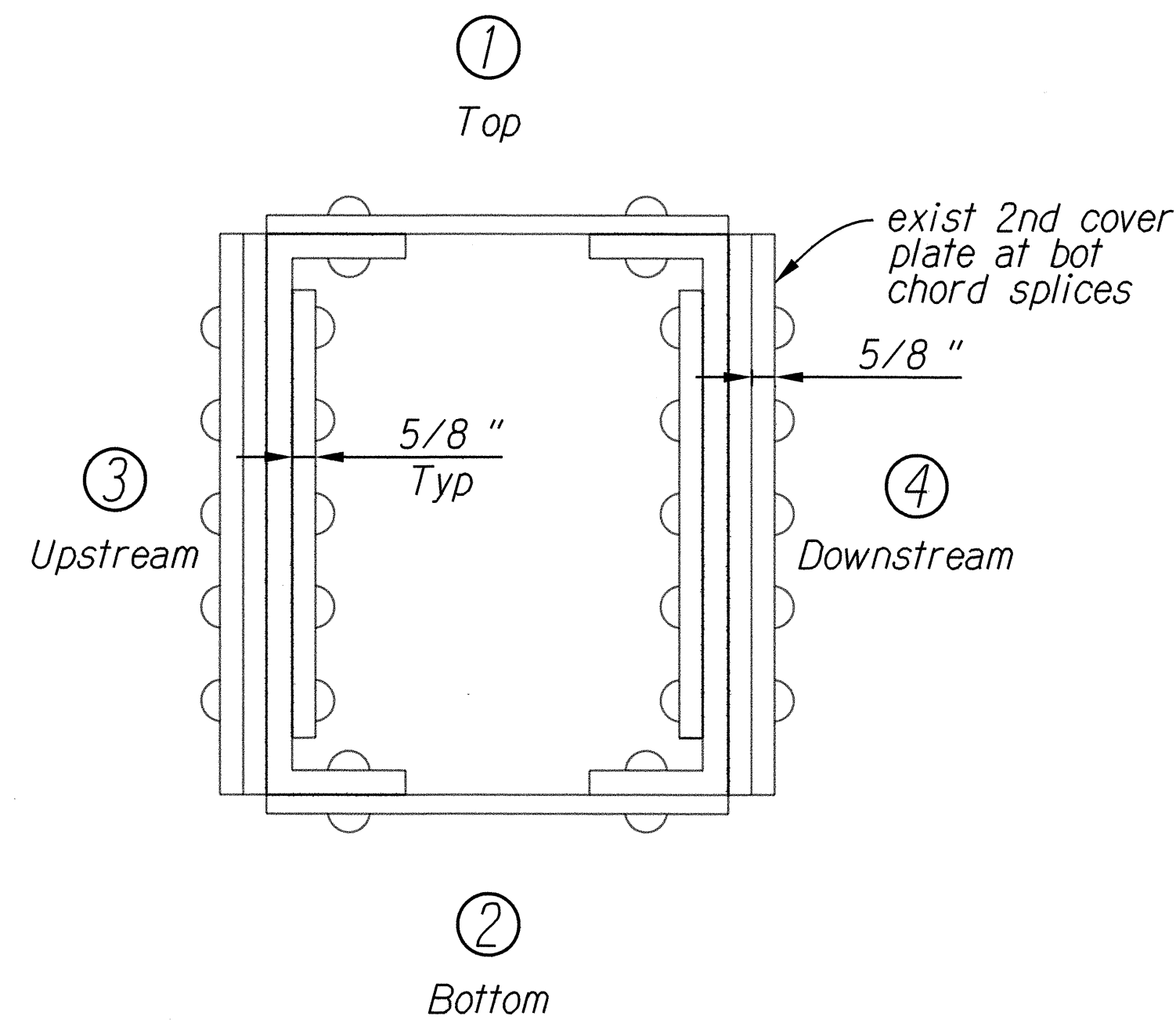
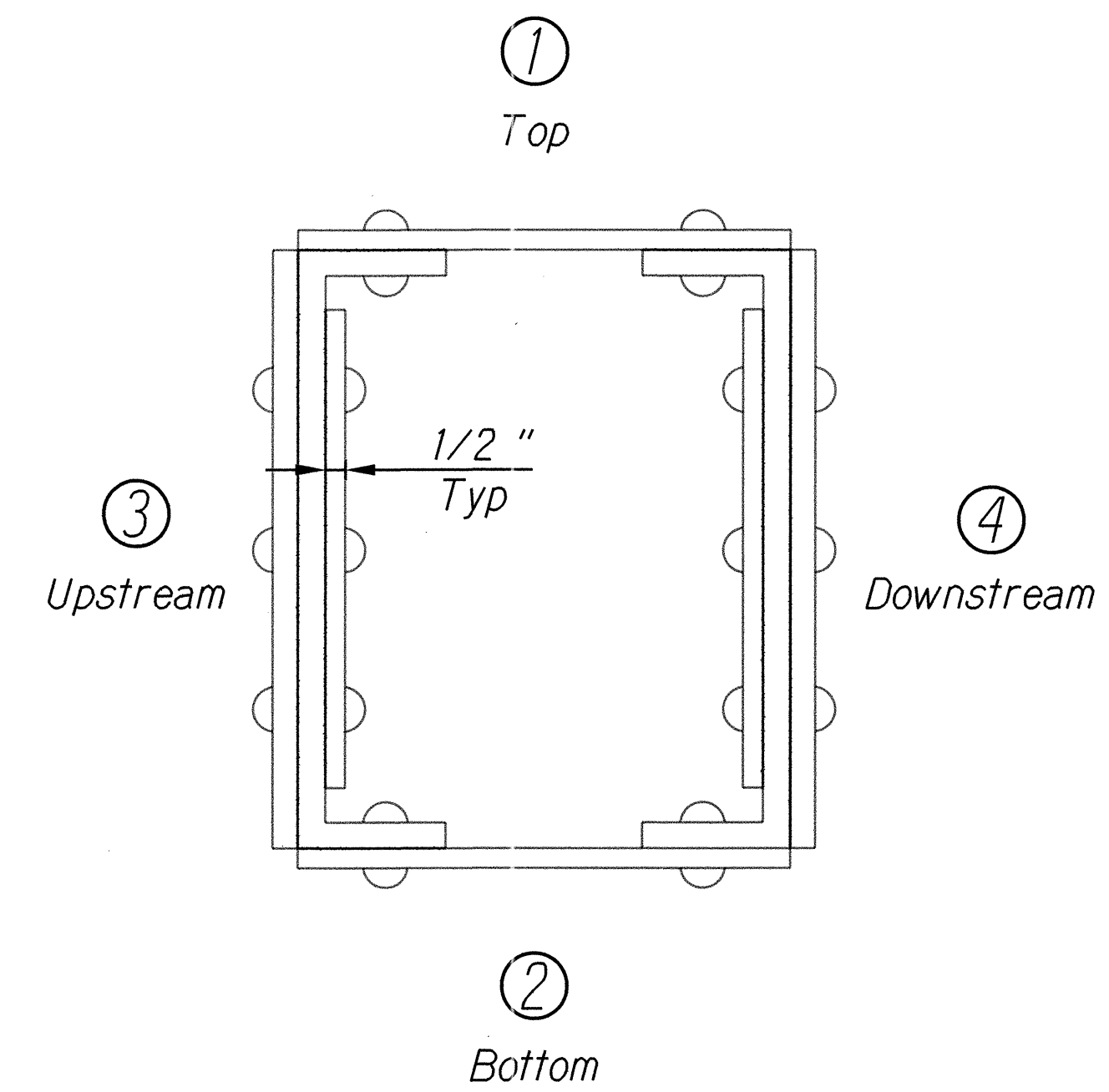
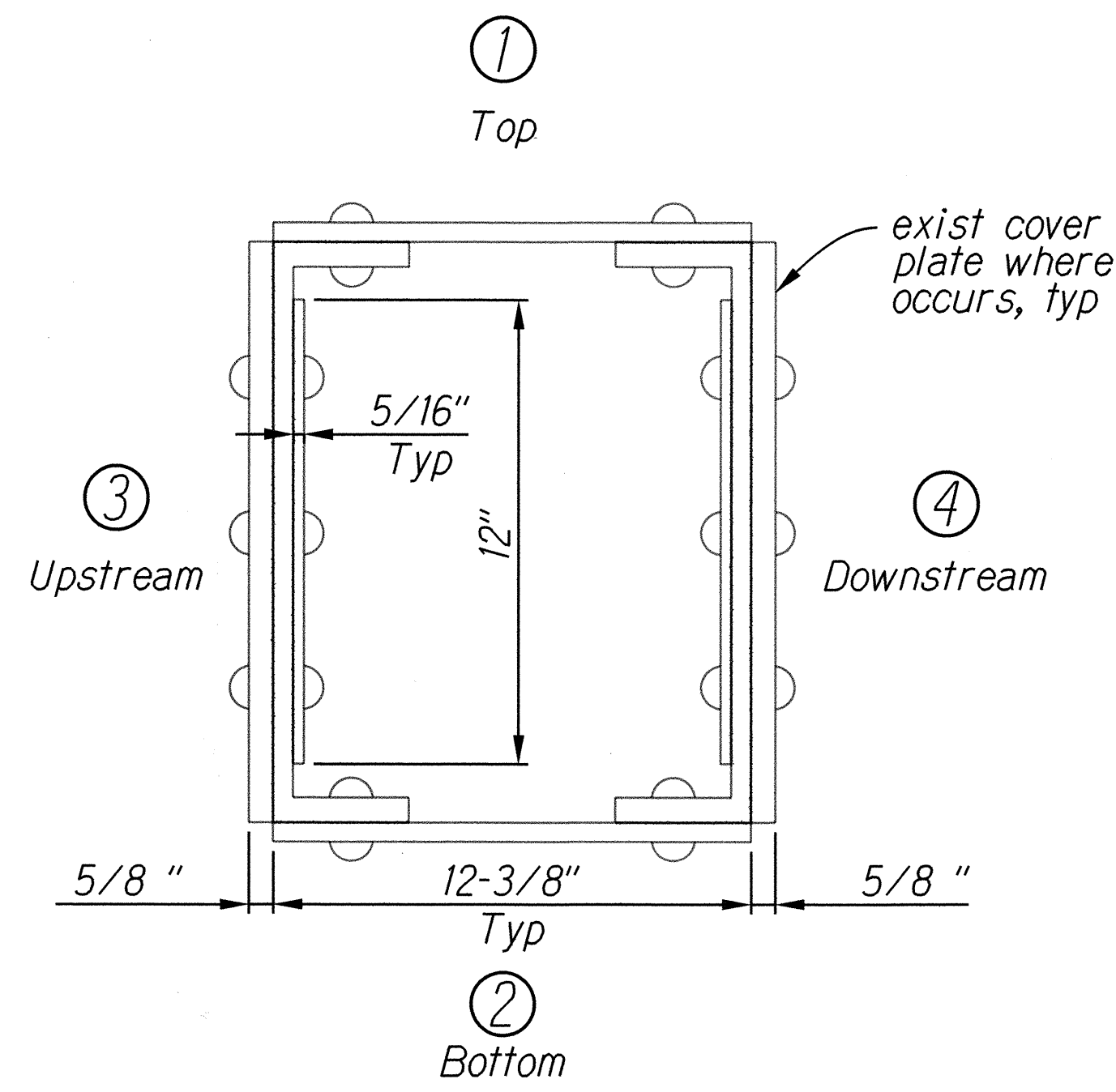
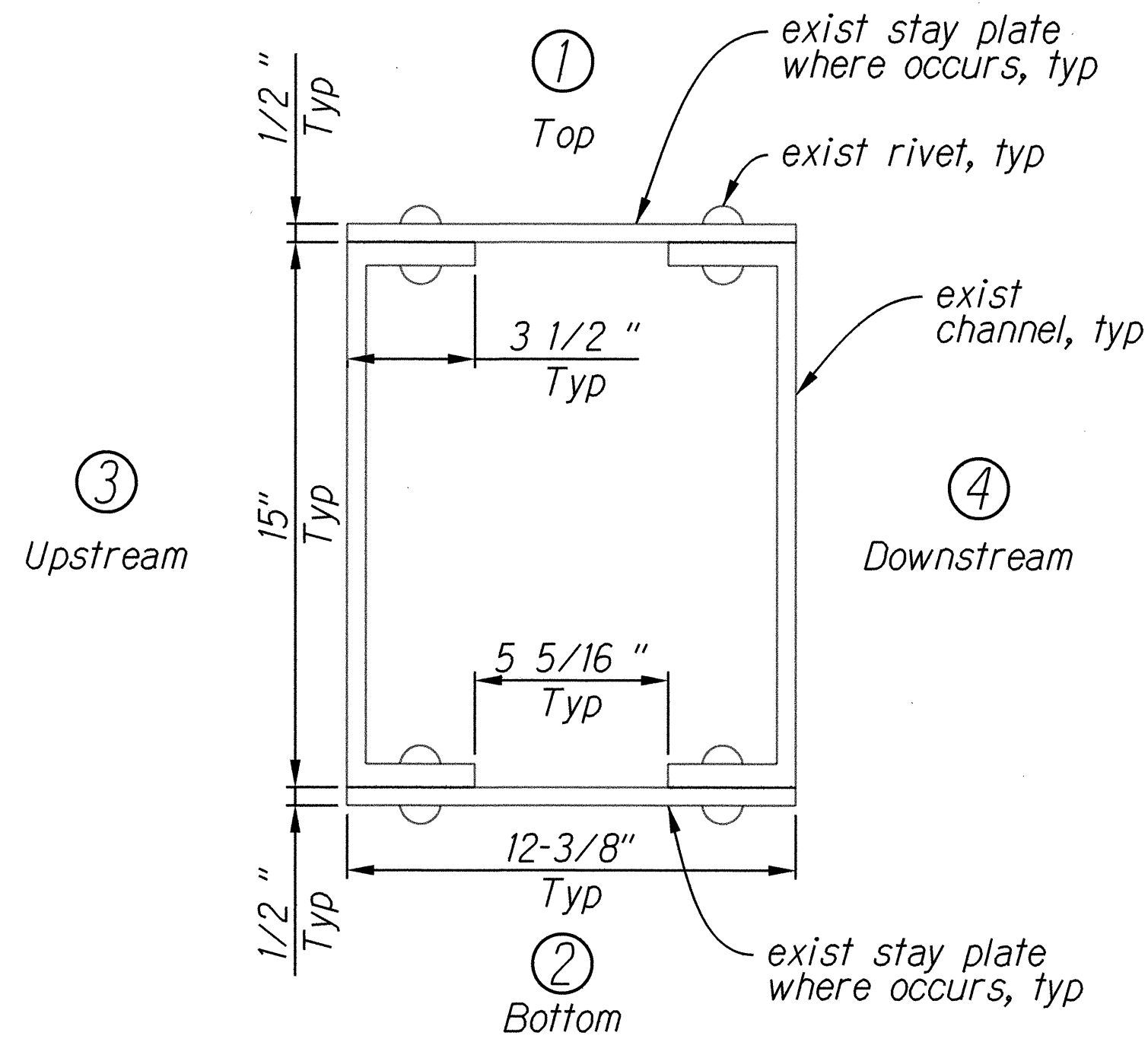
BRIDGE TRUSS ELEVATIONS

KAMEHAMEHA HIGHWAY
Repair and Repaint Karsten Thot Bridge
Federal Aid Project No. BR-080-1(012)

Scale: 1" = 10'-0" Date: Sept 2014

SHEET No. S3.1 OF 6 SHEETS

FED. ROAD DIST. NO.	STATE	FED AID PROJ. NO.	FISCAL YEAR	SHEET NO.	TOTAL SHEETS
HAWAII	HAW.	BR-080-1(012)	2014	28	82



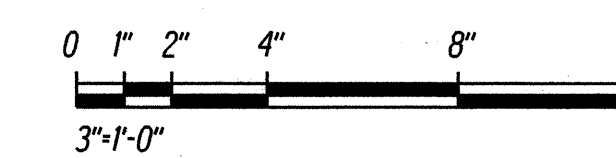
1D CROSS SECTION BC4
S3.1 | S3.2

1 TRUSS BOTTOM CHORD SECTIONS
S3.2 | S3.2 SCALE: 3" = 1'-0"

Note:
Contractor shall field verify all dimensions and conditions prior to construction.

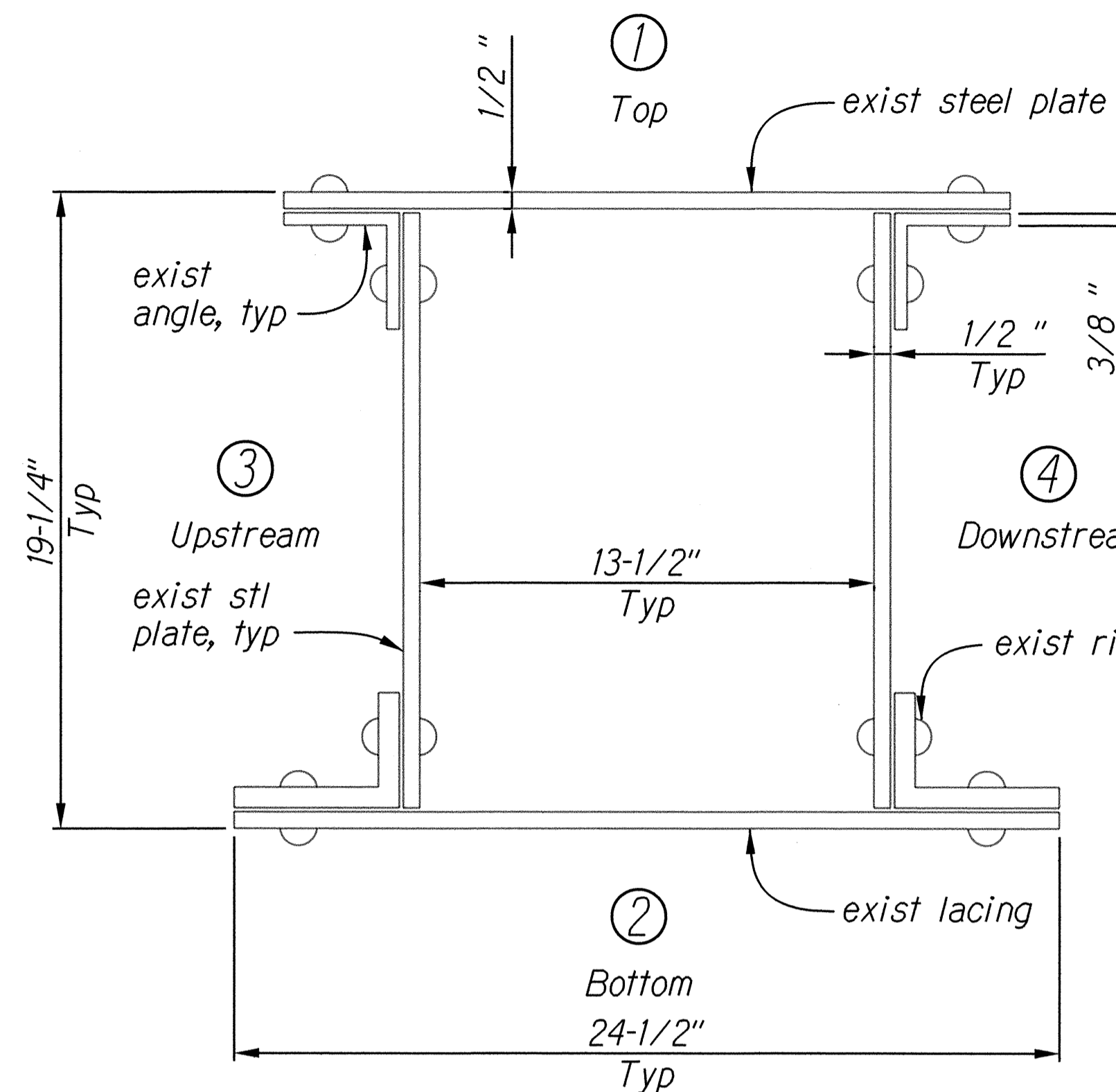
SURVEY PLOTTED BY	DATE
DESIGNED BY	
TRACED BY	
DESIGNED BY	
QUANTITIES BY	
CHECKED BY	
ORIGINAL PLAN	
NO.	

GRAPHIC SCALES:

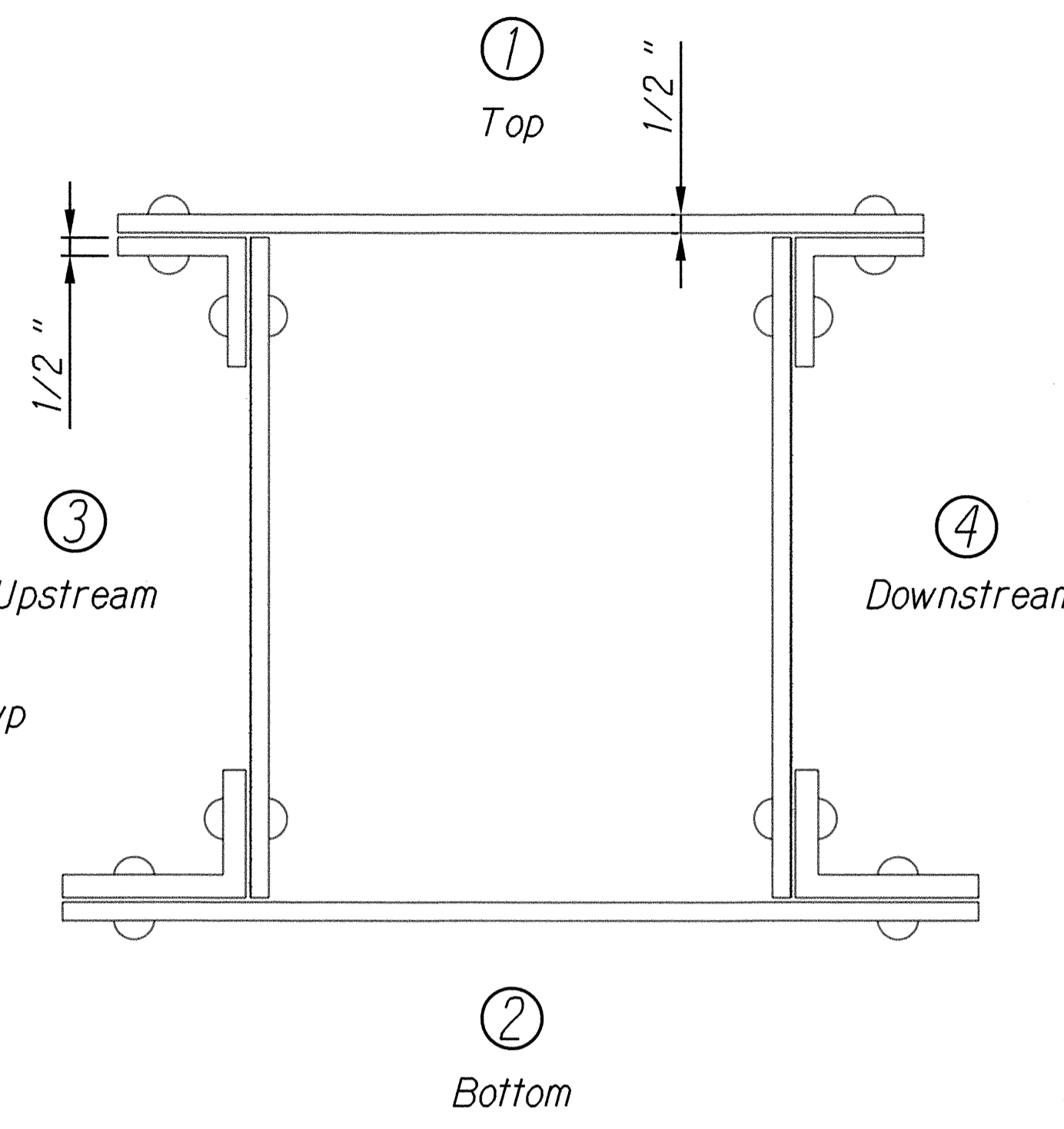


	STATE OF HAWAII DEPARTMENT OF TRANSPORTATION HIGHWAYS DIVISION
	TRUSS MEMBER SECTIONS
	KAMEHAMEHA HIGHWAY Repair and Repaint Karsten Thot Bridge Federal Aid Project No. BR-080-1(012)
	Scale: 6" = 1'-0" Date: Sept 2014
SHEET No. S3.2 OF 6 SHEETS	

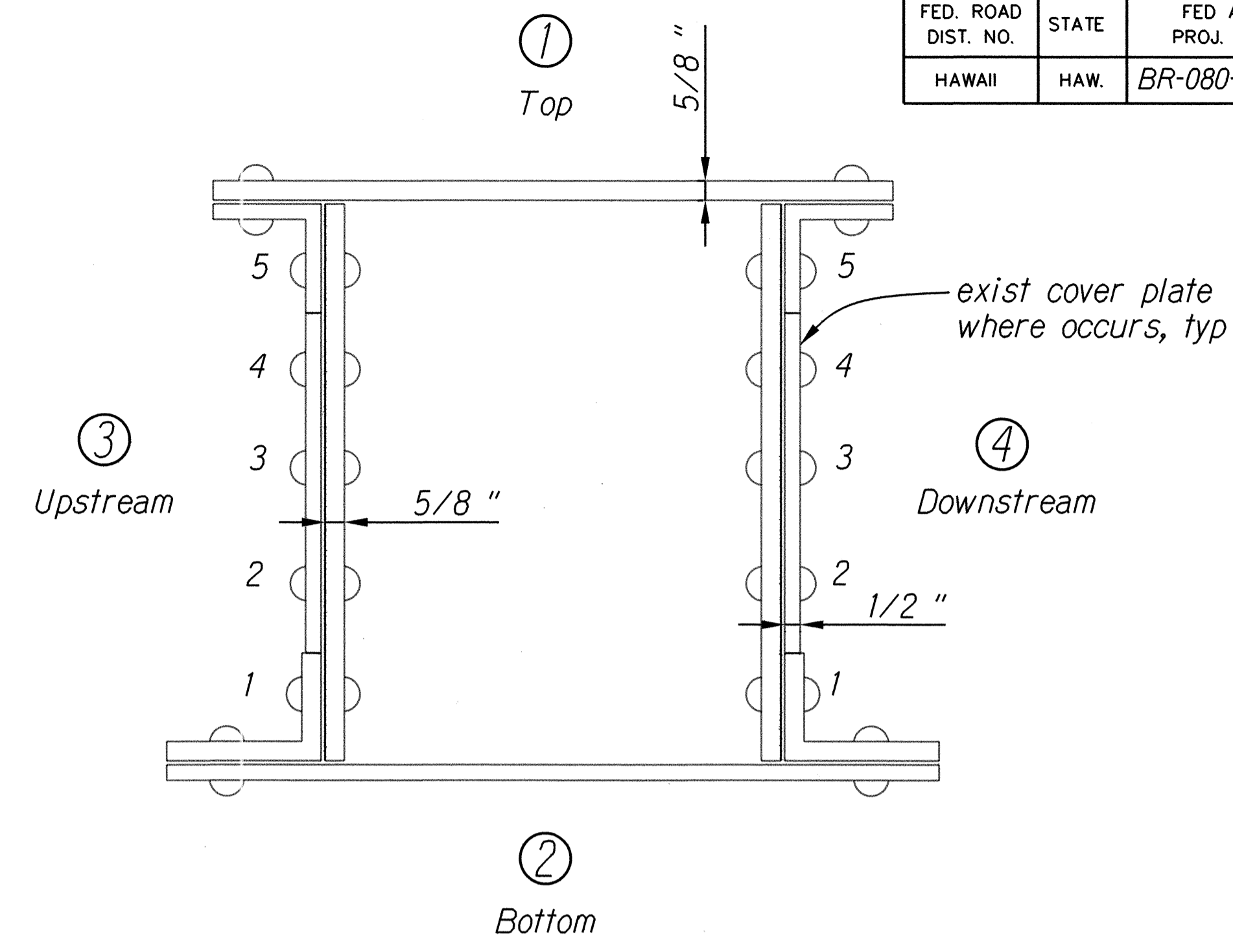
FED. ROAD DIST. NO.	STATE	FED AID PROJ. NO.	FISCAL YEAR	SHEET NO.	TOTAL SHEETS
HAWAII	HAW.	BR-080-1(012)	2014	29	82



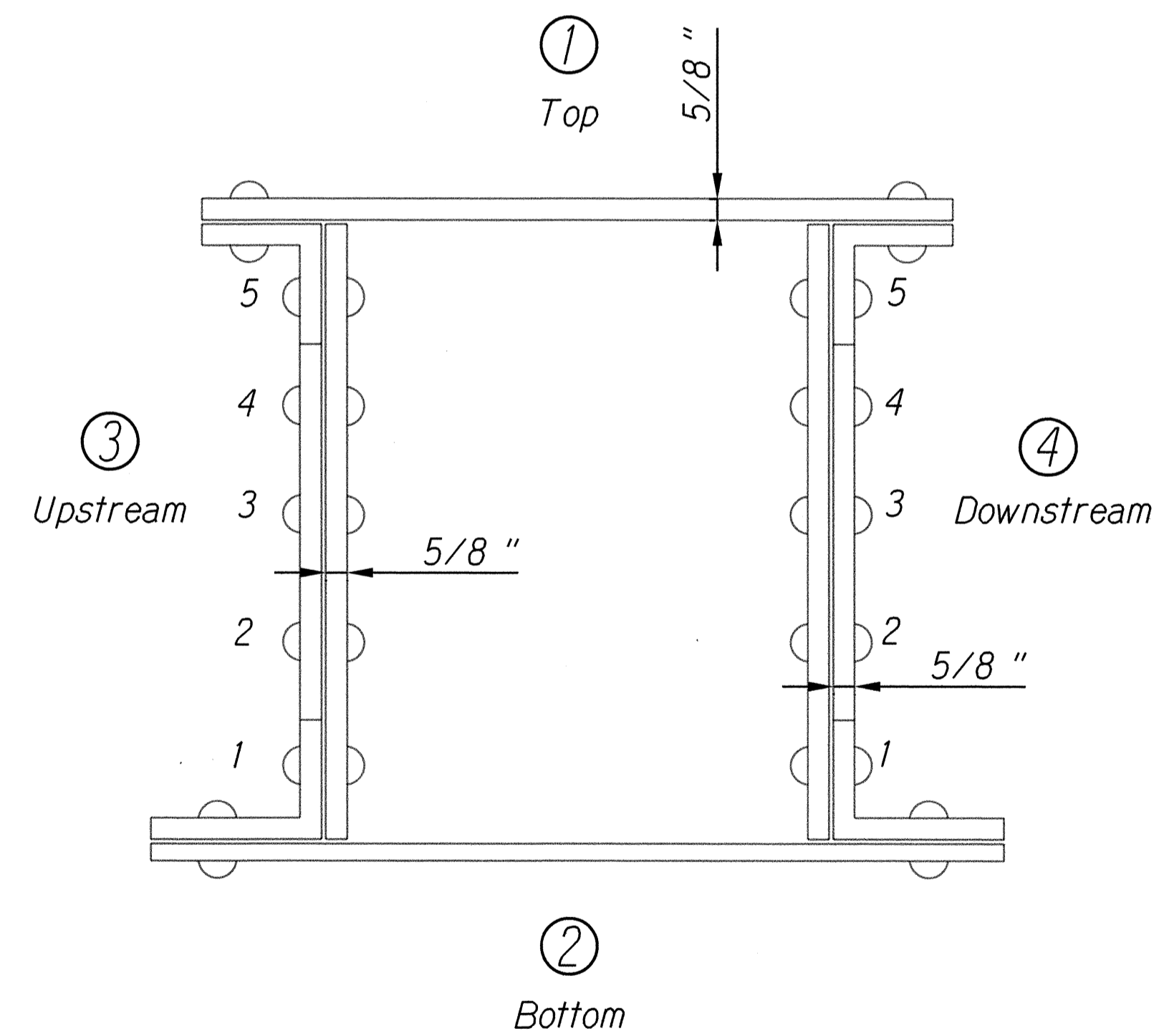
1A CROSS SECTION TC1
S3.1/S3.3



1B CROSS SECTION TC2
S3.1/S3.3



1C CROSS SECTION TC3
S3.1/S3.3



1D CROSS SECTION TC4
S3.1/S3.3

1 TRUSS TOP CHORD SECTIONS
S3.3/S3.3 SCALE: 3" = 1'-0"

Note:
Contractor shall field verify all dimensions and conditions prior to construction.

SURVEY PLOTTED BY	DATE
DRAWN BY	
CHECKED BY	
QUANTITIES BY	
CHECKED BY	
ORIGINAL PLAN	
NOTEBOOK	
No.	

LICENSE EXPIRES: 4/30/16
THIS WORK WAS PREPARED BY ME OR UNDER MY SUPERVISION

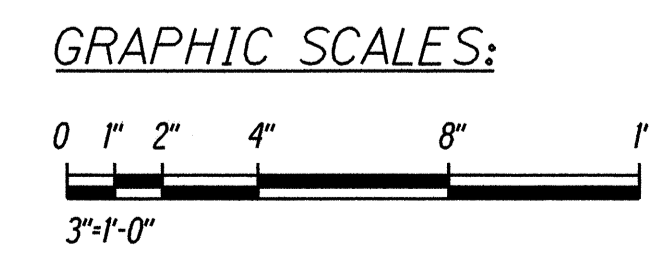
STATE OF HAWAII
DEPARTMENT OF TRANSPORTATION
HIGHWAYS DIVISION

TRUSS MEMBER SECTIONS

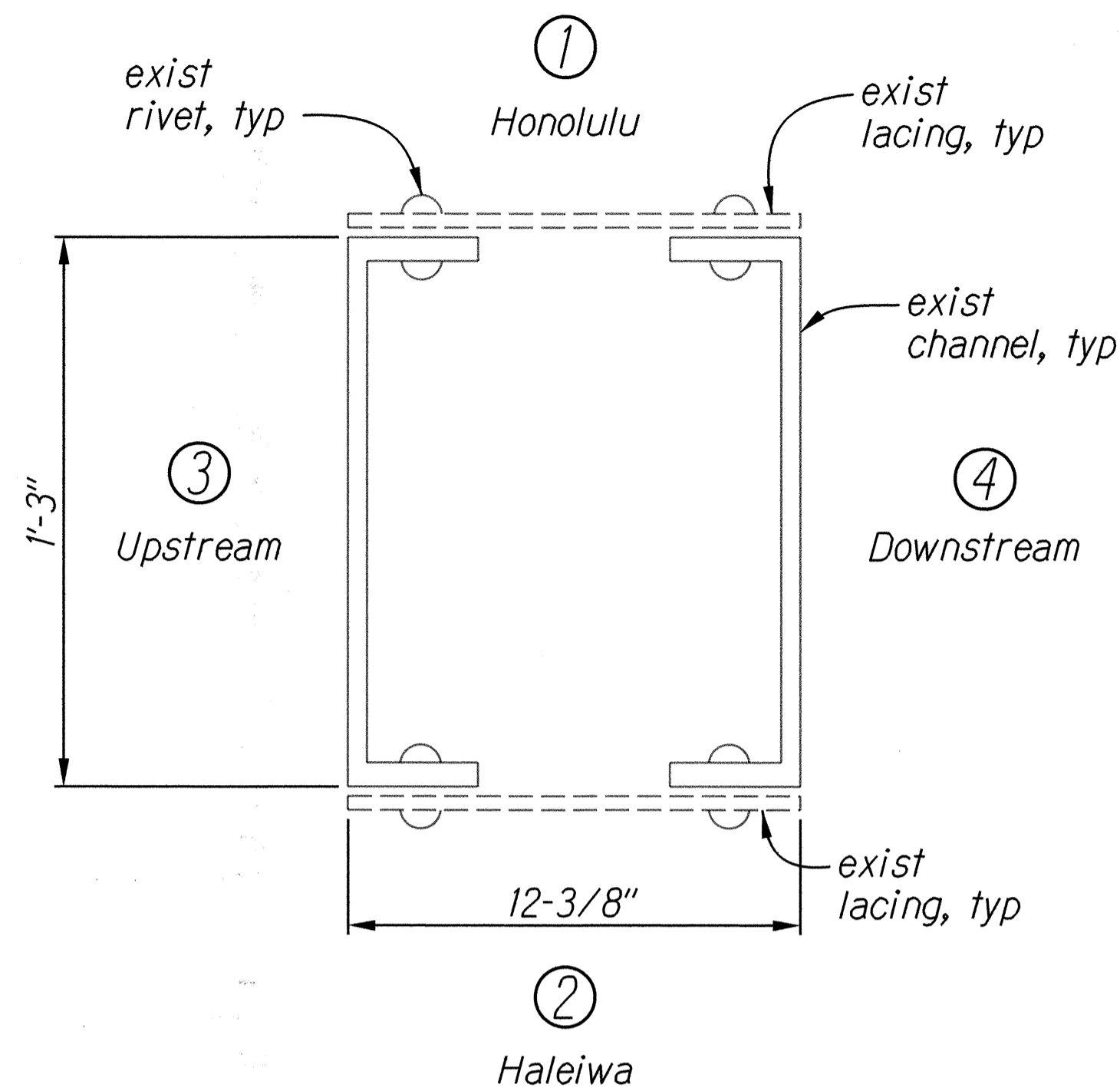
KAMEHAMEHA HIGHWAY
Repair and Repaint Karsten Thot Bridge
Federal Aid Project No. BR-080-1(012)

Scale: 6" = 1'-0" Date: Sept 2014

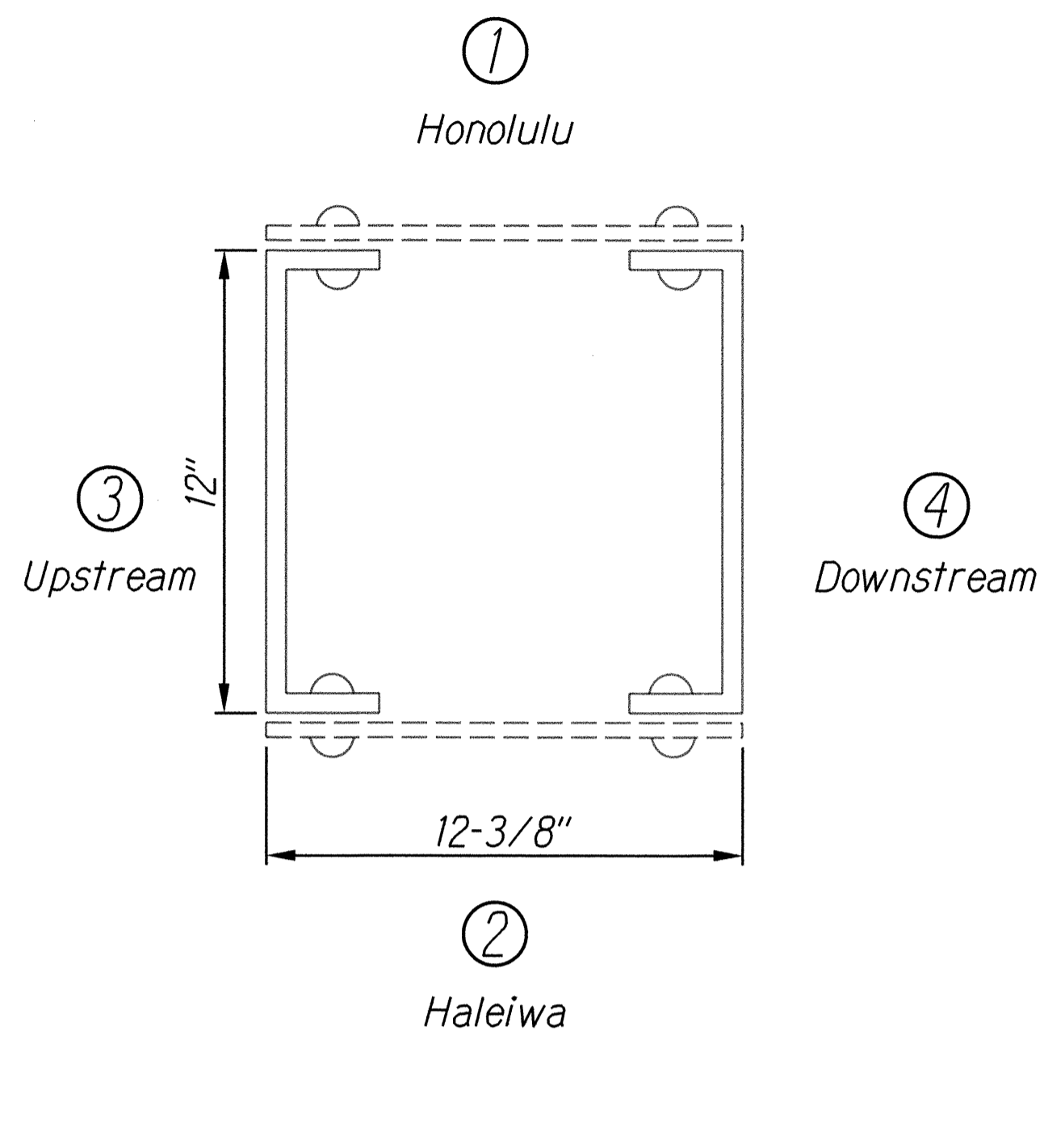
SHEET No. S3.3 OF 6 SHEETS



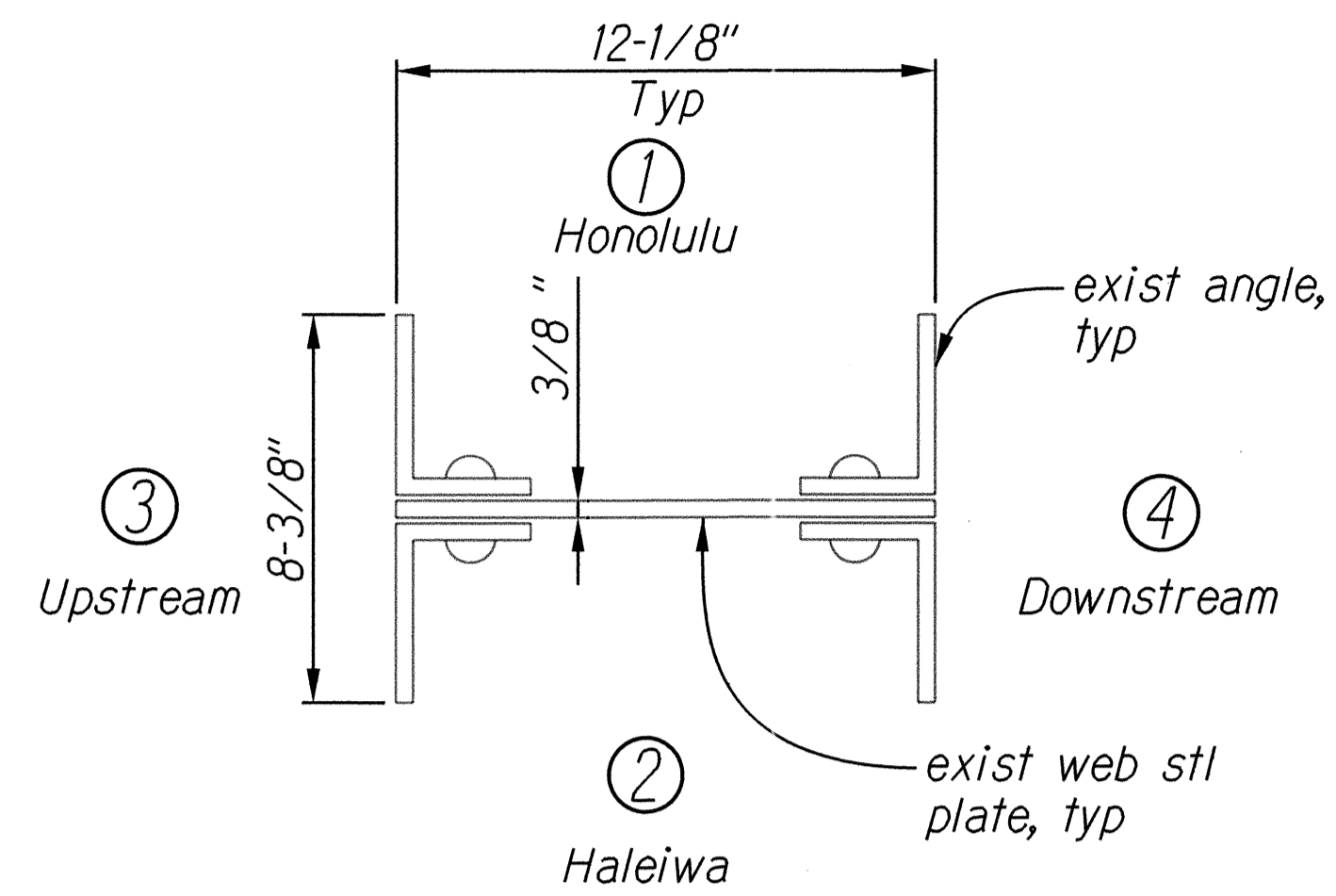
FED. ROAD DIST. NO.	STATE	FED AID PROJ. NO.	FISCAL YEAR	SHEET NO.	TOTAL SHEETS
HAWAII	HAW.	BR-080-1(012)	2014	30	82



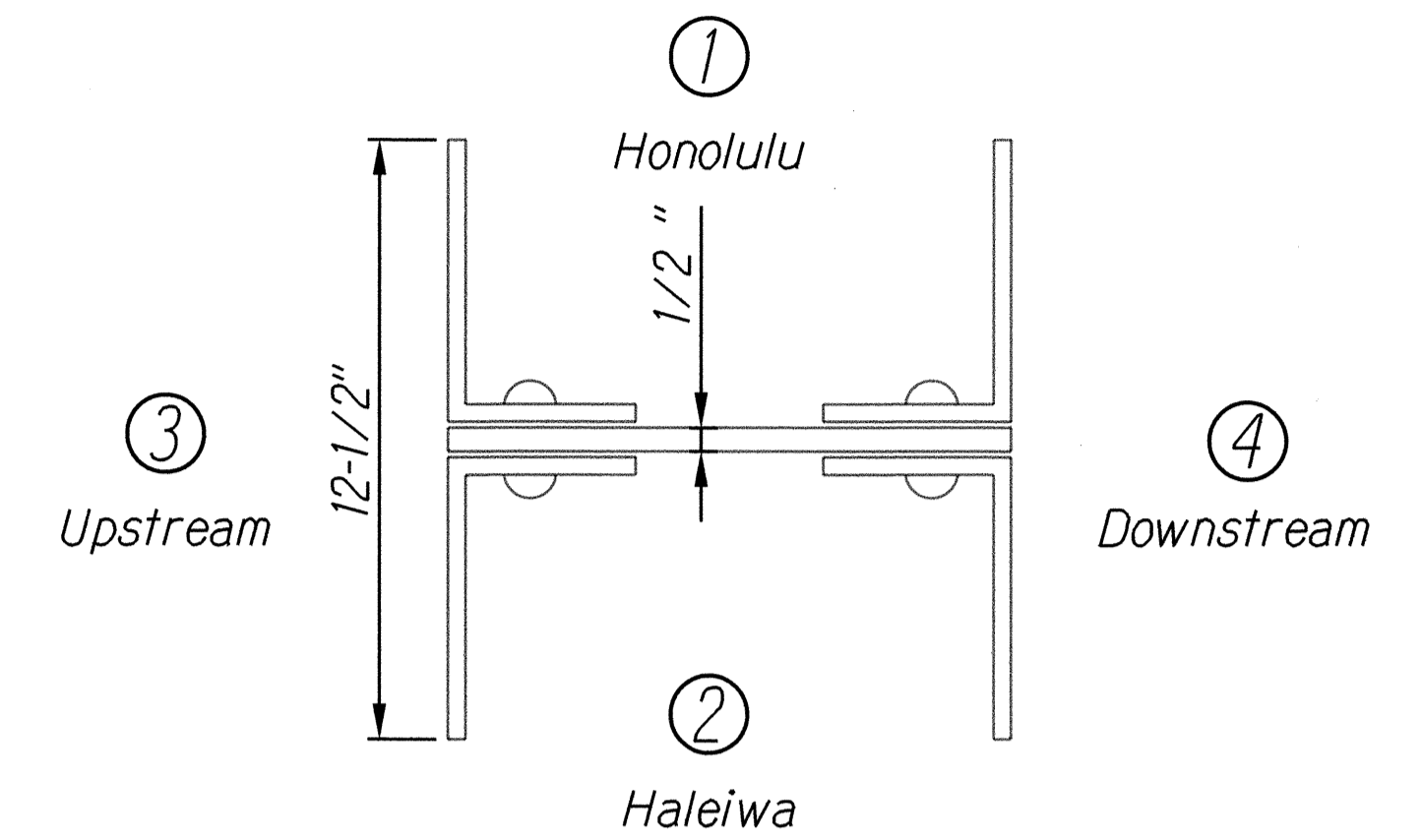
1A CROSS SECTION W1
S3.1 | S3.4



1B CROSS SECTION W2
S3.1 | S3.4



1C CROSS SECTION W3
S3.1 | S3.4



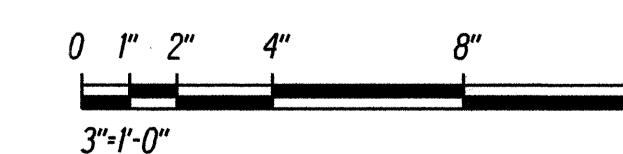
1D CROSS SECTION W4
S3.1 | S3.4

1 TRUSS WEB MEMBER SECTIONS
S3.4 | S3.4 SCALE: 3" = 1'-0"

Note:
Contractor shall field verify all dimensions and conditions prior to construction.

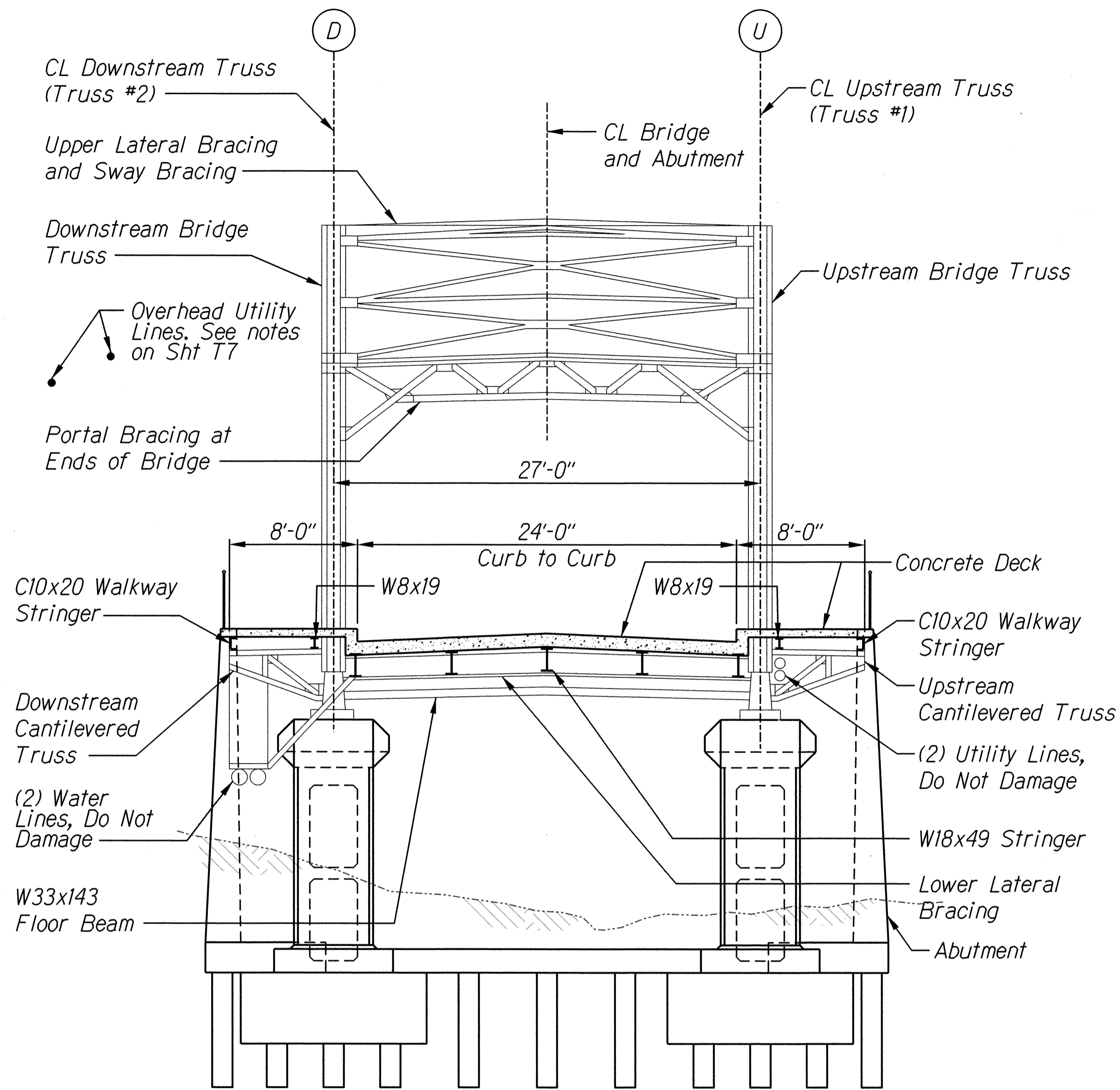
DESIGNED BY	DATE
TRACED BY	
DESIGNED BY	
QUANTITIES BY	
CHECKED BY	
ORIGINAL PLAN	
NO.	

GRAPHIC SCALES:

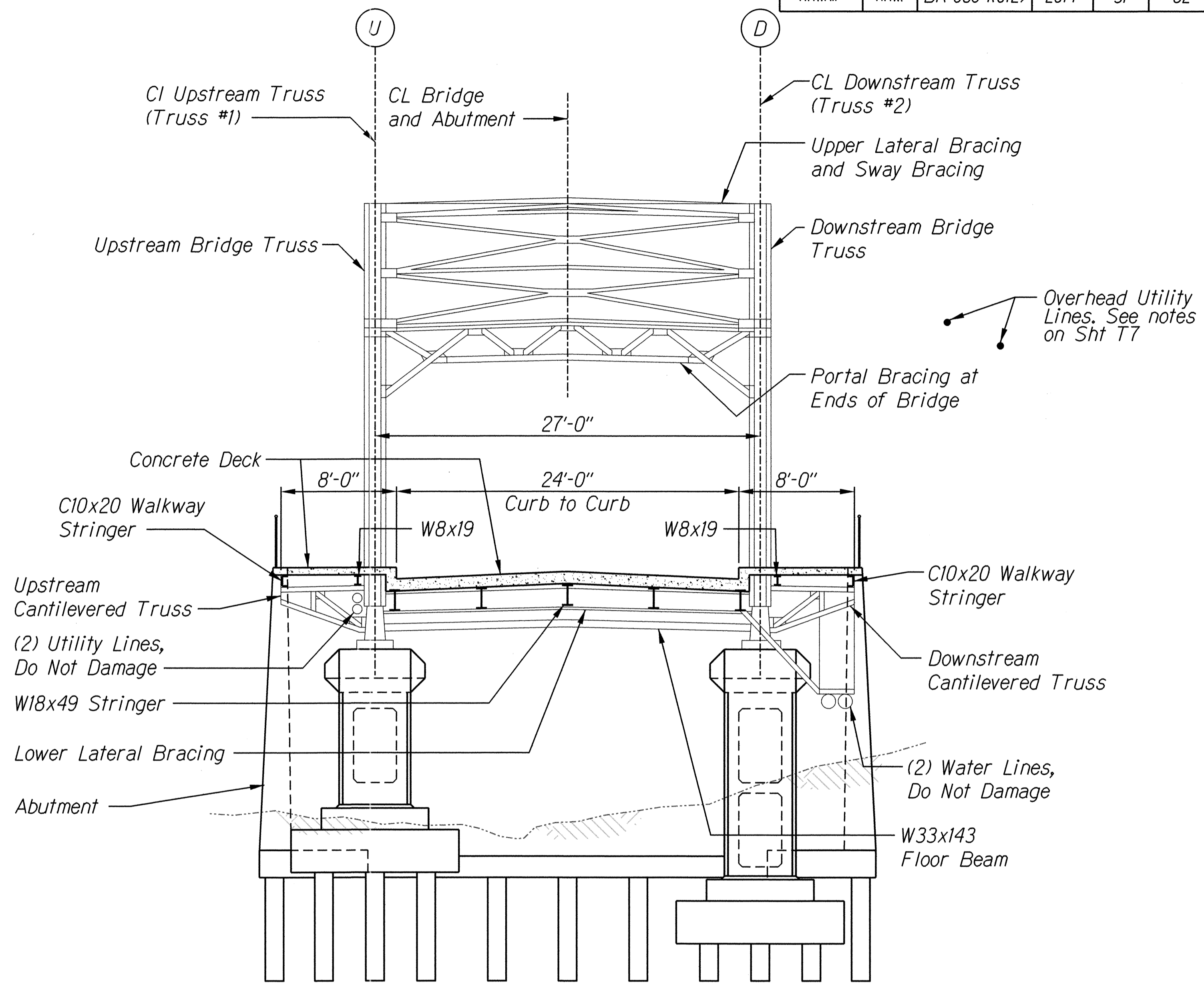


	STATE OF HAWAII DEPARTMENT OF TRANSPORTATION HIGHWAYS DIVISION
	TRUSS MEMBER SECTIONS
	KAMEHAMEHA HIGHWAY Repair and Repaint Karsten Thot Bridge Federal Aid Project No. BR-080-1(012)
	Scale: 6" = 1'-0" Date: Sept 2014
SHEET No. S3.4 OF 6 SHEETS	

FED. ROAD DIST. NO.	STATE	FED AID PROJ. NO.	FISCAL YEAR	SHEET NO.	TOTAL SHEETS
HAWAII	HAW.	BR-080-1(012)	2014	31	82



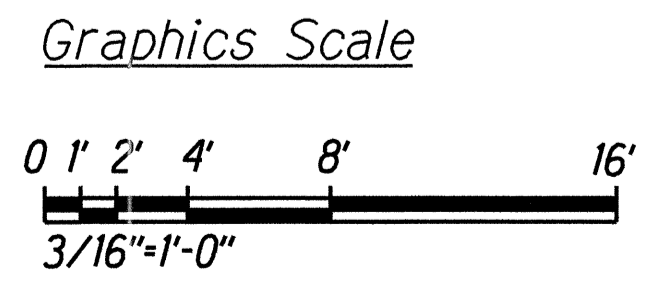
1 ELEVATION ABUTMENT NO. 1 (HONOLULU SIDE)
 S2.2, S2.3, S3.5 SCALE: 3/16" = 1'-0"



2 ELEVATION ABUTMENT NO. 2 (HALEIWA SIDE)
 S2.2, S2.3, S3.5 SCALE: 3/16" = 1'-0"

Note: All dimensions shown are from exst drawings. Field verify as required.

SURVEY PLOTTED BY	DATE
DRAWN BY	
TRACED BY	
QUANTITIES BY	
CHECKED BY	
ORIGINAL PLAN	
NOTED BY	
No.	



LICENSE EXPIRES: 4/30/16
 THIS WORK WAS PREPARED BY ME OR UNDER MY SUPERVISION

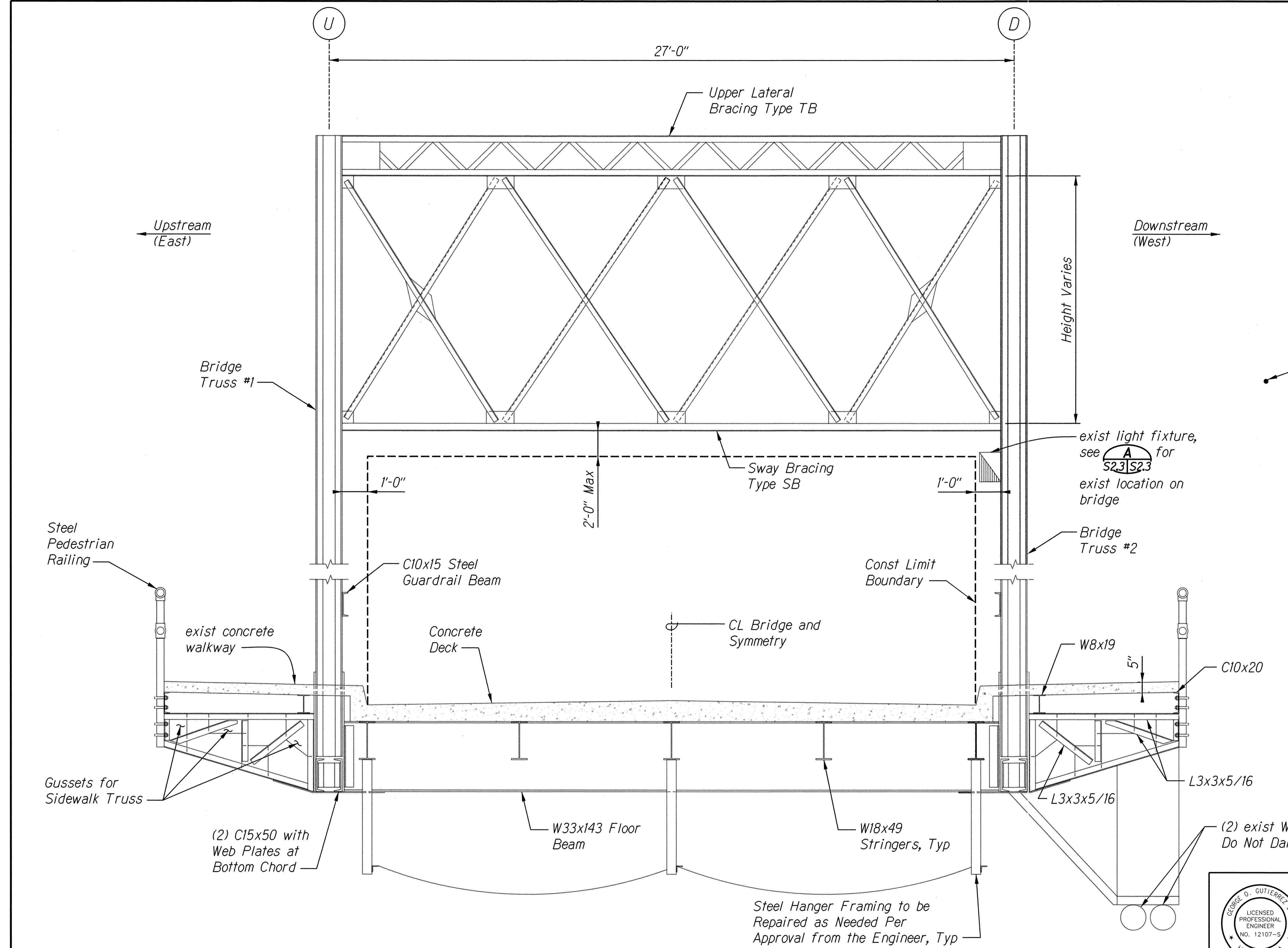
STATE OF HAWAII
 DEPARTMENT OF TRANSPORTATION
 HIGHWAYS DIVISION

**BRIDGE APPROACH
 ELEVATIONS**

KAMEHAMEHA HIGHWAY
 Repair and Repaint Karsten Thot Bridge
 Federal Aid Project No. BR-080-1(012)

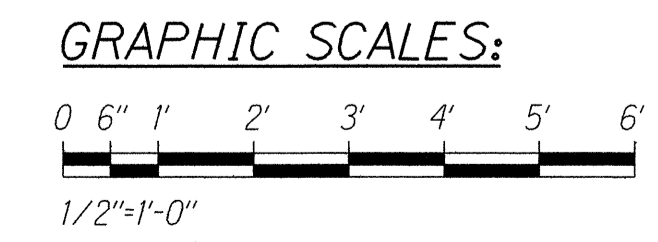
Scale: 3/16" = 1'-0" Date: Sept 2014

FED. ROAD DIST. NO.	STATE	FED AID PROJ. NO.	FISCAL YEAR	SHEET NO.	TOTAL SHEETS
HAWAII	HAW.	BR-080-1(012)	2014	32	82



SURVEY PLOTTED BY	DATE
DRAWN BY	
CHECKED BY	
DESIGNED BY	
QUANTITIES BY	
NOTEBOOK	
CHECKED BY	
No.	

1 TYPICAL BRIDGE SECTION
 S2.2, S2.3, S3.6 SCALE: 1/2" = 1'-0"



LICENSE EXPIRES: 4/30/16
THIS WORK WAS PREPARED BY ME OR UNDER MY SUPERVISION

George O. Gutierrez Jr.

STATE OF HAWAII
 DEPARTMENT OF TRANSPORTATION
 HIGHWAYS DIVISION

TYPICAL BRIDGE SECTION

KAMEHAMEHA HIGHWAY
 Repair and Repaint Karsten Thot Bridge
 Federal Aid Project No. BR-080-1(012)

Scale: 1/2" = 1'-0" Date: Sept 2014

SHEET No. S3.6 OF 6 SHEETS