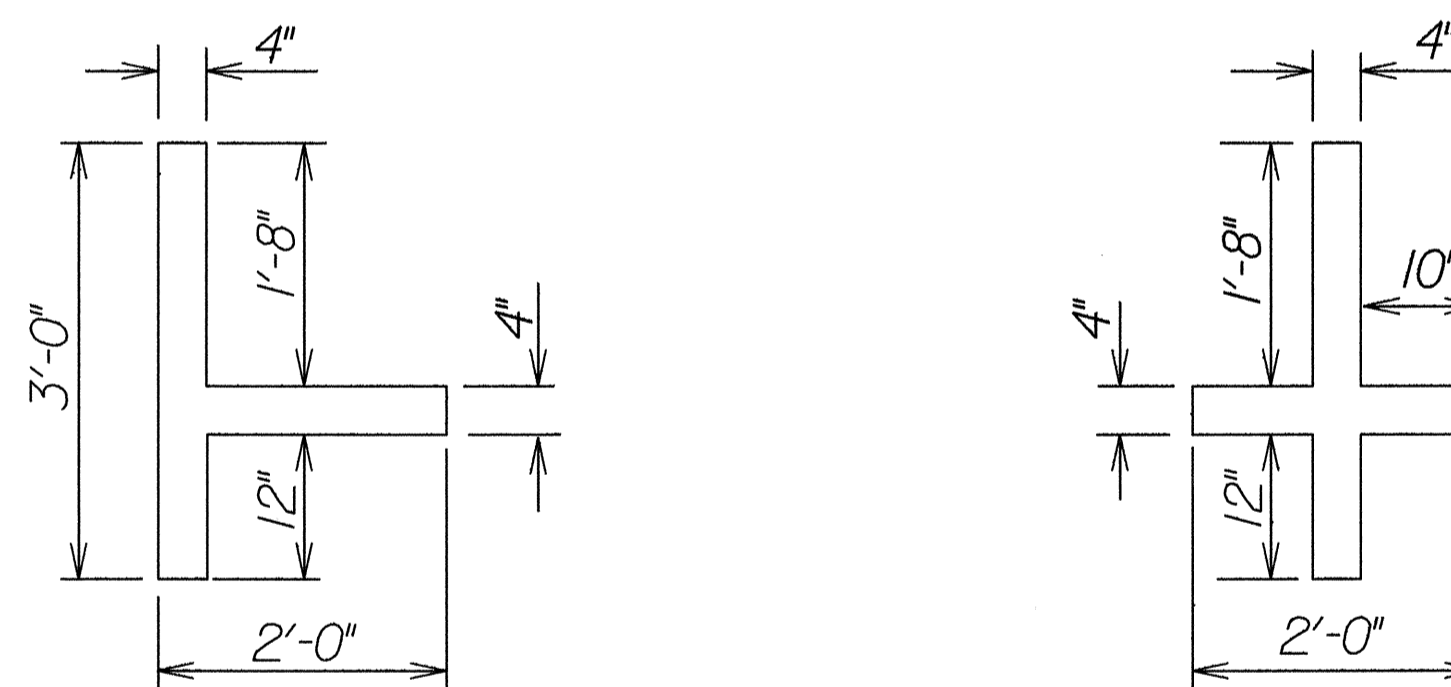
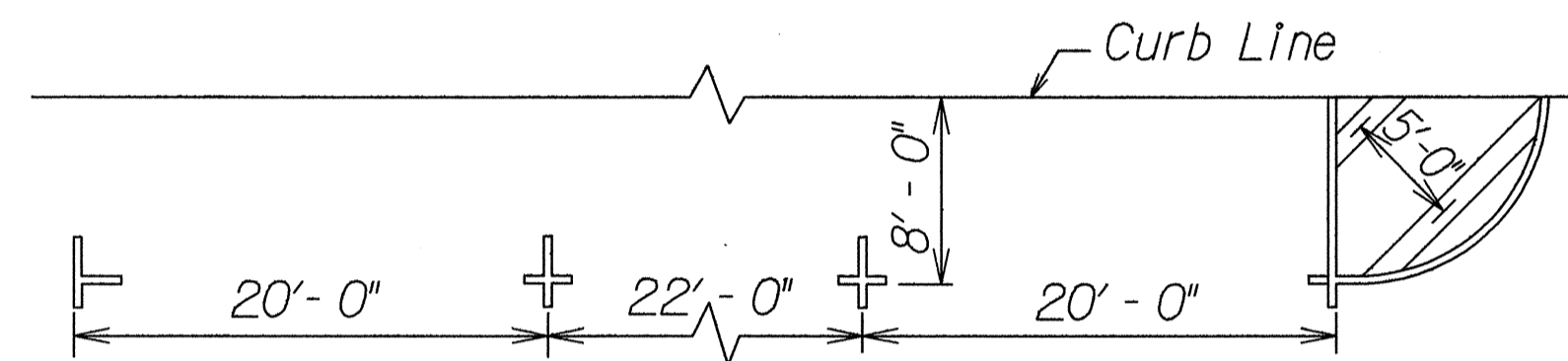
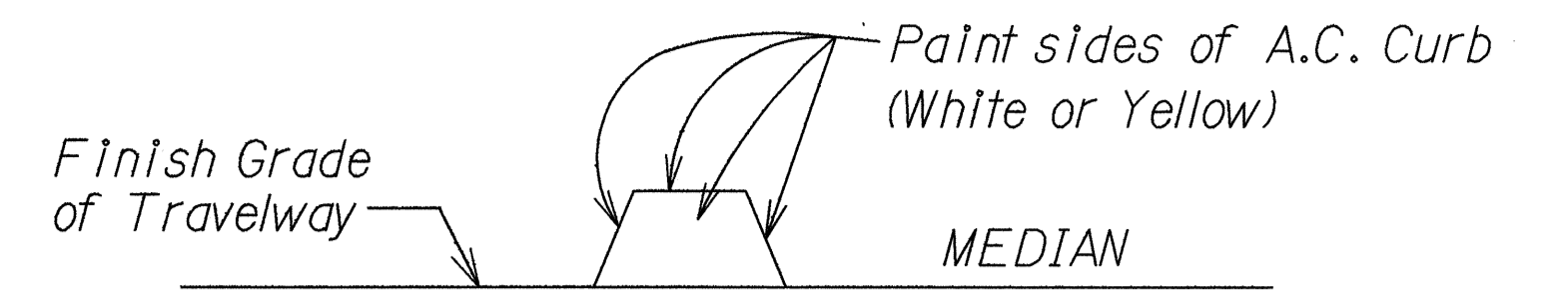
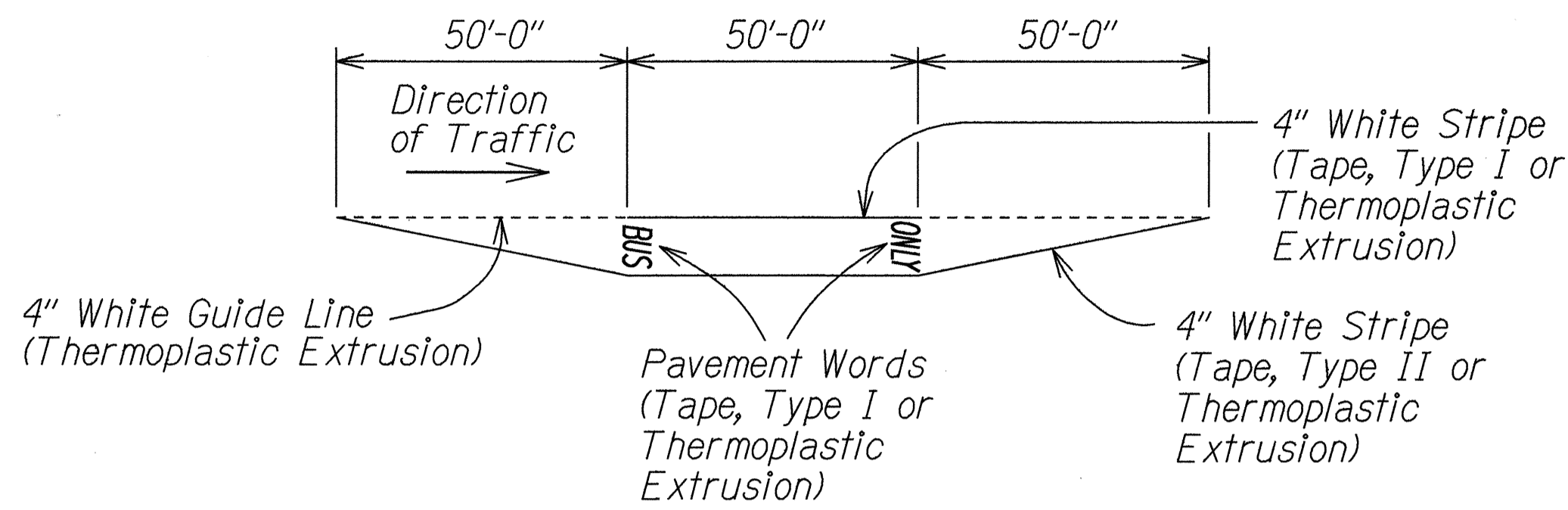


FED. ROAD DIST. NO.	STATE	FED. AID PROJ. NO.	FISCAL YEAR	SHEET NO.	TOTAL SHEETS
HAWAII	HAW.	STP-0300(29)	1993	23	49

LEGEND

- 4 each Type A Raised Pavement Markers
Type C Raised Pavement Markers @ 40'-0" o.c.
- 4 each Type J Raised Pavement Markers
Type D Raised Pavement Markers @ 40'-0" o.c.
- 8" White Stripe with Type C Raised Pavement Markers @ 20'-0" o.c. (Tape, Type I or Thermoplastic Extrusion)
- 4" Double Solid Yellow with Type D Raised Pavement Markers @ 20'-0" o.c. (Tape, Type I or Thermoplastic Extrusion)
- 4" Double Solid Yellow Stripes with Type H Raised Pavement Markers @ 20'-0" o.c. (Tape, Type II or Thermoplastic Extrusion)
- 4" or 8" Yellow Edge Stripe with Type H Raised Pavement Markers @ 40'-0" o.c. (Tape, Type II or Thermoplastic Extrusion)
- 4" Double Solid White Stripes with Type C Raised Pavement Markers @ 20'-0" o.c. (Tape, Type I or Thermoplastic Extrusion)
- Lane Change Restriction Marking
4 each Type A Raised Pavement Markers
Type C Raised Pavement Markers @ 20'-0" o.c.
4" White Stripe (Tape, Type I or Thermoplastic Extrusion)
- 4" or 8" White Edge Stripe with Type C Raised Pavement Markers @ 40'-0" o.c. (Tape, Type II or Thermoplastic Extrusion)
- 4" White Guide Lines (Tape, Type III or Thermoplastic Extrusion except for bus bays)
- Transverse Median Marking (Tape, Type II or Thermoplastic Extrusion)
- Transverse Shoulder Marking (Tape, Type II or Thermoplastic Extrusion)
- Channelizing Island or Deceleration Lane Gore (Tape, Type II or Thermoplastic Extrusion)
- Crosswalk and Stop Line. All Stop Lines shall be 10'-0" from Crosswalk unless otherwise noted. The circled number indicates the number of lanes for payment (Tape, Type III or Thermoplastic Extrusion)
- Pavement Arrow (Tape, Type III or Thermoplastic Extrusion)
- Pavement Word (Tape, Type III or Thermoplastic Extrusion except for bus bays)
- 4 Each Type J Raised Pavement Markers
Type D Raised Pavement Markers @ 40'-0" o.c.
Type H Raised Pavement Markers (Reflective Surface facing no-passing direction)
4" Single Solid Yellow Stripe (Tape, Type I or Thermoplastic Extrusion)
- Extension of Edge Line, 4" Wide x 2'-0" Long White Stripe @ 10'-0" o.c. w/Type C Markers @ 40'-0" o.c. (Tape, Type III or Thermoplastic Extrusion)



TYPICAL PARKING SPACE MARKINGS

- II- Reflector Marker (RM-2) with Post
- III- Reflector Marker (RM-3) with Post
- III- Reflector Marker (RM-4) with Post
- FBII- Reflector Marker (RM-2) with Flexible Delineator Post (Type B)
- FBIII- Reflector Marker (RM-3) with Flexible Delineator Post (Type B)

DATE
SURVEY PLOTTED BY
DRAWN BY
DESIGNED BY
NOTED BY
QUANTITIES BY
CHECKED BY
No.

STATE OF HAWAII
DEPARTMENT OF TRANSPORTATION
HIGHWAYS DIVISION

**PAVEMENT MARKING
LEGEND & DETAILS**

KAMEHAMEHA HIGHWAY RESURFACING
Waiikina Dr. & Kamananui Rd. Resurfacing
F. A. Project No. STP-0300(29)

Scale: As Shown Date: April 1993
SHEET No. 23 OF 27 SHEETS

FED. ROAD DIST. NO.	STATE	PROJ. NO.	FISCAL YEAR	SHEET NO.	TOTAL SHEETS
HAWAII	HAW.	STP-0300(29)	1993	24	49

NOTES

1. Layout of pavement markings and striping shall be done by the Contractor and approved by the Engineer prior to any installation work.
2. Existing pavement markings not incorporated in the final traffic pattern shall be removed as directed by the Engineer. Costs shall be incidental to the various pavement marking items.
3. Raised pavement markers shall not be installed within crosswalks.
4. Final locations of all signs shall be approved by the Engineer prior to any installation work.
5. All pavement striping shall be as noted on the legend or plans.
6. Existing signs that are to be replaced, shall not be removed until new signs are installed as replacements, or the messages are no longer necessary.
7. Backing for all new Regulatory and Warning Signs shall not be spliced.
8. State Route Marker Symbols shall conform to details shown on the plans and as specified in the MUTCD.
9. All sign panels shall conform to Section 621 of Special Provisions and the latest editions and amendments of the following FHWA publications:
 - a. "Manual on Uniform Traffic Control Devices for Streets and Highways" (MUTCD)
 - b. "Standard Highway Signs."
 - c. "Standard Alphabets for Highway Signs."
10. Borders, messages, arrows, symbols and shields shall conform to details as shown on the plans and as specified in the MUTCD.
11. Sign messages shall be as indicated on the plan.
12. All panels shall be reflectorized in accordance with Section 712.20 of the Standard Specifications. Minimum width of panels shall be 2 ft. abutting edges of panels shall be in only one direction if vertical abutting edges are used, no horizontal abutting edges shall be allowed and vice versa.
13. All new and relocated signs and markers installed on pipe posts, light standard or expressway sign post are to be mounted with band brackets and steel braces.
14. Existing signs not shown on these plans shall remain as posted unless otherwise directed by the Engineer. Removal and disposal of existing signs and/or posts as designated on these plans shall be incidental to the various signing items.
15. Removal of Existing Delineators and Posts, as directed by the Engineer or shown on the plans, shall be considered incidental to the various signing items.
16. All preformed pavement marking tapes over existing pavement shall be applied with an approved primer as recommended by the tape manufacturer and as directed by the Engineer. The primer shall be allowed to dry to the tacky stage prior to tape application.
17. Removing and reinstalling existing Street Name Signs on Regulatory and Warning Sign Post shall not be paid for separately but shall be considered incidental to the various signing items.

18. Install New Type II Object Markers on all utility poles or trees that are within the State Highway Right-of-Way and within 30 feet of the roadway edge of pavement as directed by the Engineer.
19. Final locations of all Stop Lines shall be approved by the Engineer prior to installation.
20. The Contractor shall notify the Traffic Signal Branch, Dept. of Transportation Services, City & County of Honolulu, 2 weeks prior to commencing any loop detector work.
21. Dept. of Transportation Services, City & County of Honolulu, will assist the Engineer in construction inspection for the loop detector work.
22. The exact locations of the new loop detectors shall be determined in the field by the Engineer.
23. Loop detectors damaged during the Contractor's reconstruction of pavement areas or cold planing operation, shall be replaced within 48 hours. Replacement and location of the new loop detectors shall be as directed by the Engineer.
24. The first letter of the Cardinal Direction words (NORTH, SOUTH, EAST, WEST) shall be 10 percent larger, rounded up to the nearest whole number size.

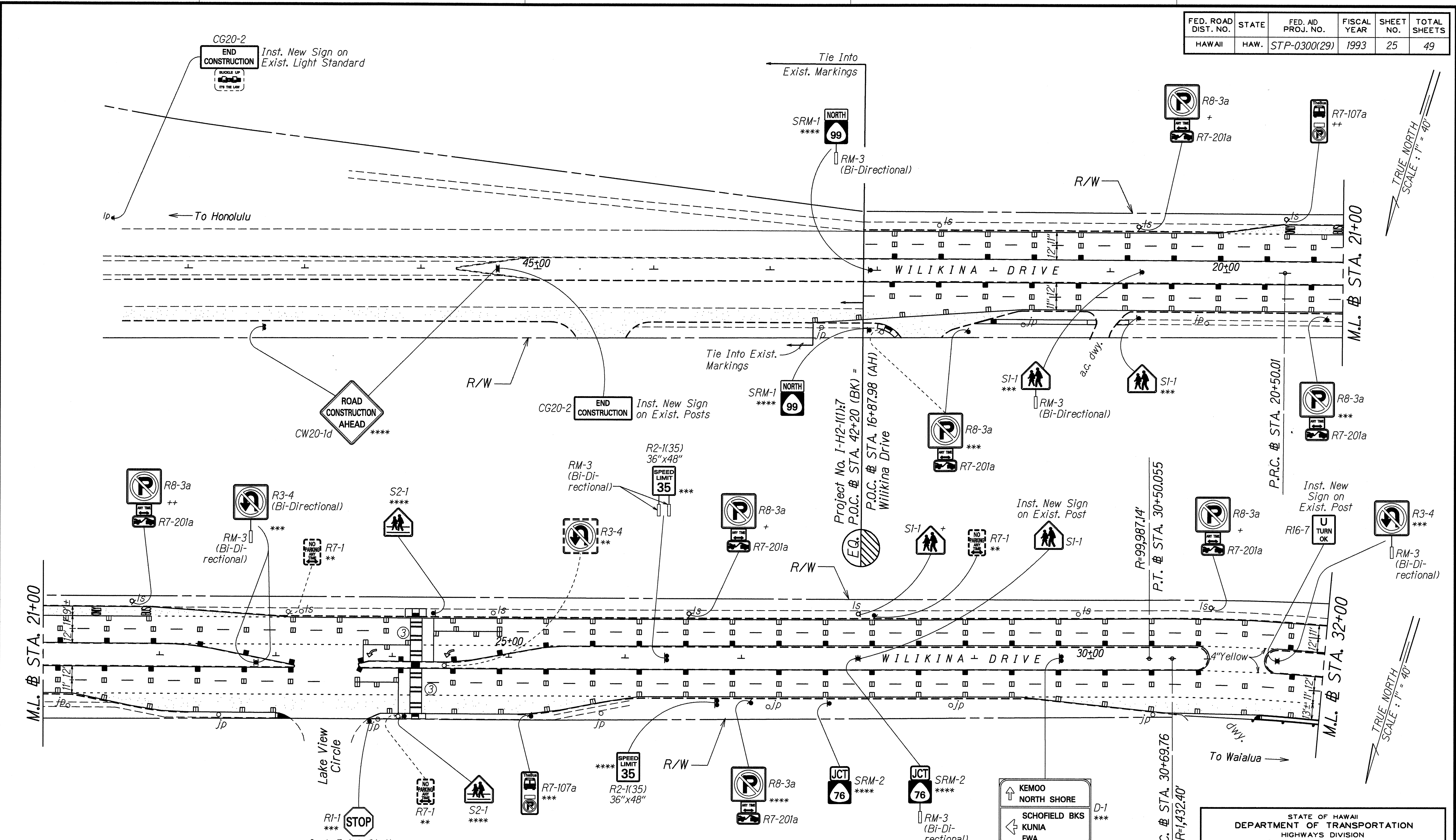
DESTINATION (D) SIGN NOTES

1. The Contractor shall verify the locations of the existing Sign Panels and supports.
2. New sign panels shall be laminated aluminum or extruded aluminum.
3. Contractor shall submit all sign splicing details to the Engineer for approval. All backing for signs 4 feet by 6 feet or less shall be of one sheet.
4. Destination Sign Posts and Foundation shall be as noted on the plans. See Sheet No. T14, Frame Layout, for details.
5. Incidental parts and services, not shown on the plans or specified but deemed necessary for the sign installation, shall be furnished and installed by the Contractor as part of the work contracted.
6. Removal and disposal of existing sign panels, posts with foundation, and supports will not be paid for separately, but shall be considered incidental to the various signing items.

ORIGINAL PLAN	SURVEY PLOTTED BY	DATE
NOTE BOOK	DRAWN BY	
	DESIGNED BY	
	QUANTITIES BY	
	CHECKED BY	

STATE OF HAWAII DEPARTMENT OF TRANSPORTATION HIGHWAYS DIVISION	
TRAFFIC NOTES	
KAMEHAMEHA HIGHWAY RESURFACING	
Waiikina Dr. & Kamanui Rd. Resurfacing	
F. A. Project No. STP-0300(29)	
Date: April 1993	
SHEET No. T2 OF 27 SHEETS	

FED. ROAD DIST. NO.	STATE	FED. AID PROJ. NO.	FISCAL YEAR	SHEET NO.	TOTAL SHEETS
HAWAII	HAW.	STP-0300(29)	1993	25	49



ORIGINAL PLAN	DATE
SURVEY	BY
DRAWN	BY
TRACED	BY
DESIGNED	BY
IN CHARGE	BY
CHECKED	BY

- KEY:**
- * Existing Sign(s) & Post(s) to Remain
 - ** Remove Existing Sign(s) & Post(s)
 - *** Remove Existing Sign(s) & Post(s) and Install New Sign(s) & Post(s)
 - **** Install New Sign(s) & Post(s)
 - + Install New Sign(s) on Existing Light Standard
 - ++ Remove Existing Sign(s) and Install New Sign(s) on Existing Light Standard

KEMOO NORTH SHORE
SCHOFIELD BKS
KUNIA
EWA

For Details, See Sht. No. T19 & T22

DATE	REVISION
6/15/94	Revise Pavement Marking
6/7/93	Revise Pavement Marking & Relocate Signing

STATE OF HAWAII
DEPARTMENT OF TRANSPORTATION
HIGHWAYS DIVISION

PAVEMENT MARKING & SIGNING PLAN

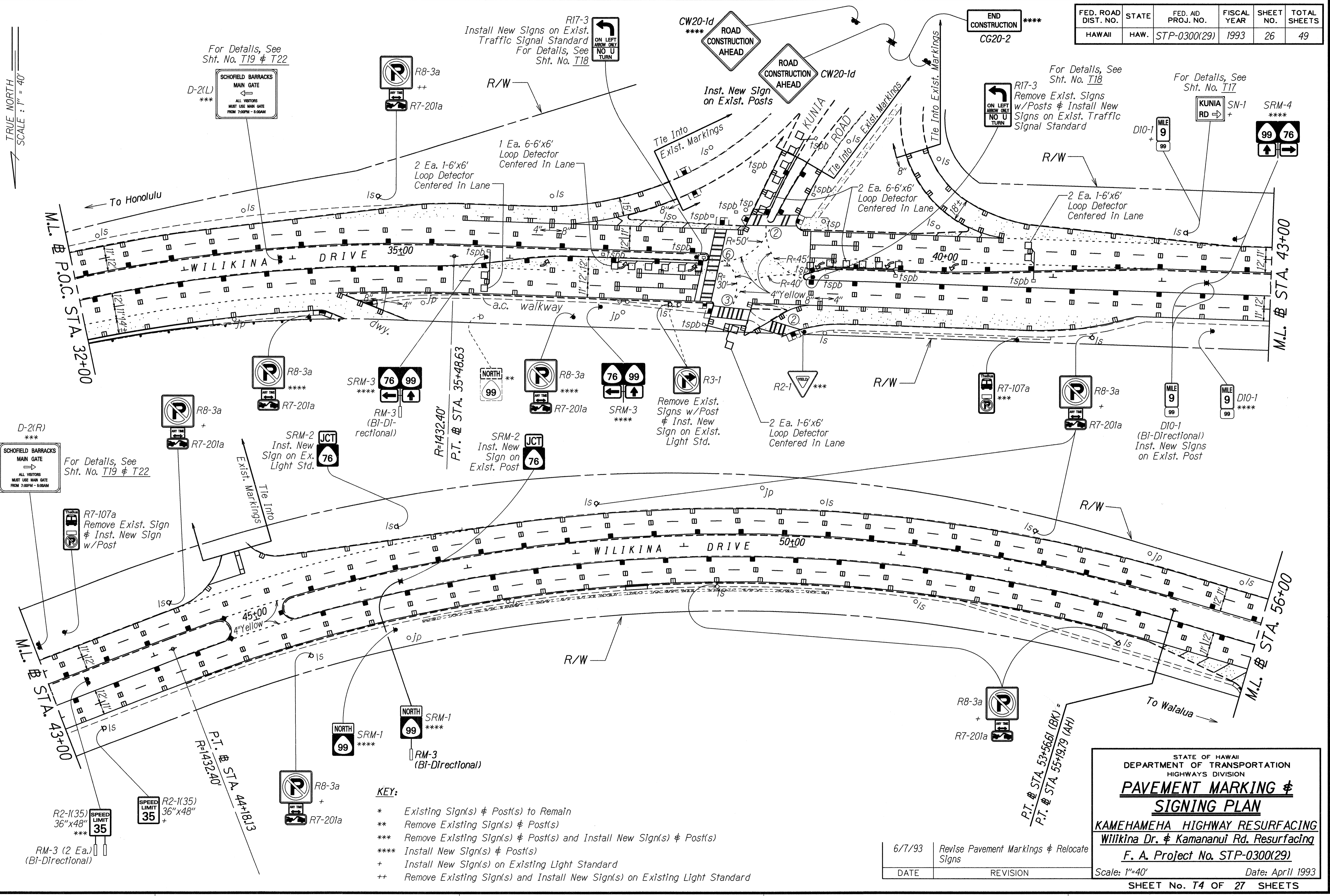
KAMEHAMEHA HIGHWAY RESURFACING
Wilikina Dr. & Kamananui Rd. Resurfacing
F. A. Project No. STP-0300(29)

Scale: 1"=40' Date: April 1993
SHEET No. T3 OF 27 SHEETS

C.O. ADD.25

FED. ROAD DIST. NO.	STATE	FED. AID PROJ. NO.	FISCAL YEAR	SHEET NO.	TOTAL SHEETS
HAWAII	HAW.	STP-0300(29)	1993	26	49

TRUE NORTH
SCALE: 1" = 40'



D-2(R) ***
SCHOOL BARRACKS MAIN GATE
ALL VISITORS MUST USE MAIN GATE FROM 7:00PM - 6:00AM
For Details, See Sht. No. T19 & T22

R2-1(K35) 36"x48" ***
SPEED LIMIT 35
R2-1(K35) 36"x48" ***
RM-3 (2 Ea.) (Bi-Directional)

- KEY:**
- * Existing Sign(s) & Post(s) to Remain
 - ** Remove Existing Sign(s) & Post(s)
 - *** Remove Existing Sign(s) & Post(s) and Install New Sign(s) & Post(s)
 - **** Install New Sign(s) & Post(s)
 - + Install New Sign(s) on Existing Light Standard
 - ++ Remove Existing Sign(s) and Install New Sign(s) on Existing Light Standard

DATE	REVISION
6/7/93	Revise Pavement Markings & Relocate Signs

STATE OF HAWAII
DEPARTMENT OF TRANSPORTATION
HIGHWAYS DIVISION

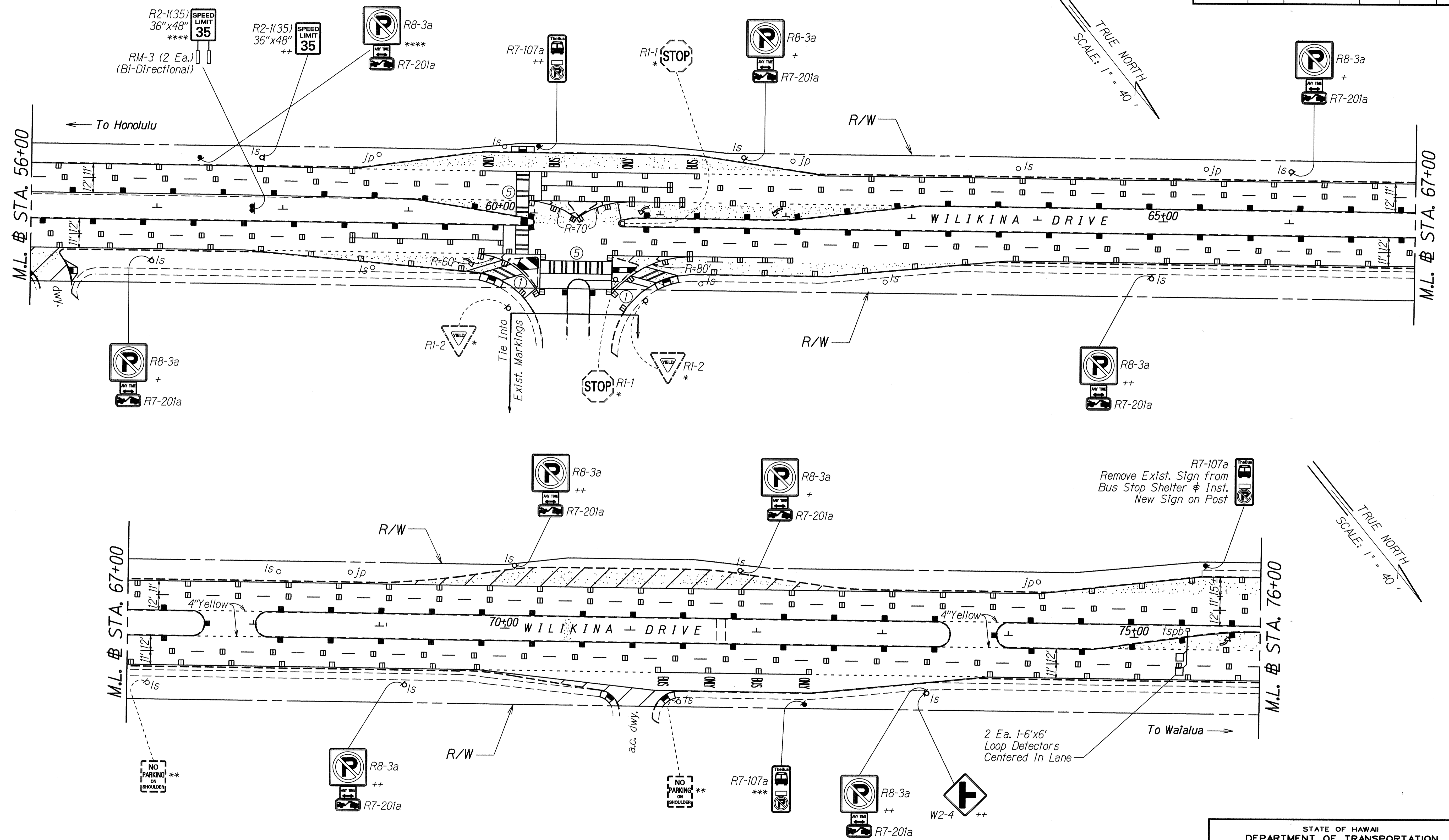
PAVEMENT MARKING & SIGNING PLAN

KAMEHAMEHA HIGHWAY RESURFACING
Wilikina Dr. & Kamananui Rd. Resurfacing
F. A. Project No. STP-0300(29)

Scale: 1"=40' Date: April 1993
SHEET No. 24 OF 27 SHEETS

DATE	DESIGNED BY
DATE	CHECKED BY
DATE	QUANTITIES BY
DATE	DESIGNED BY
DATE	CHECKED BY
DATE	QUANTITIES BY
DATE	DESIGNED BY
DATE	CHECKED BY
DATE	QUANTITIES BY

FED. ROAD DIST. NO.	STATE	FED. AID PROJ. NO.	FISCAL YEAR	SHEET NO.	TOTAL SHEETS
HAWAII	HAW.	STP-0300(29)	1993	27	49



DESIGNED BY	DATE
TRACED BY	
DESIGNED BY	
QUANTITIES BY	
CHECKED BY	

- KEY:**
- * Existing Sign(s) & Post(s) to Remain
 - ** Remove Existing Sign(s) & Post(s)
 - *** Remove Existing Sign(s) & Post(s) and Install New Sign(s) & Post(s)
 - **** Install New Sign(s) & Post(s)
 - + Install New Sign(s) on Existing Light Standard
 - ++ Remove Existing Sign(s) and Install New Sign(s) on Existing Light Standard

6/7/93	Revise Pavement Markings & Signing
DATE	REVISION

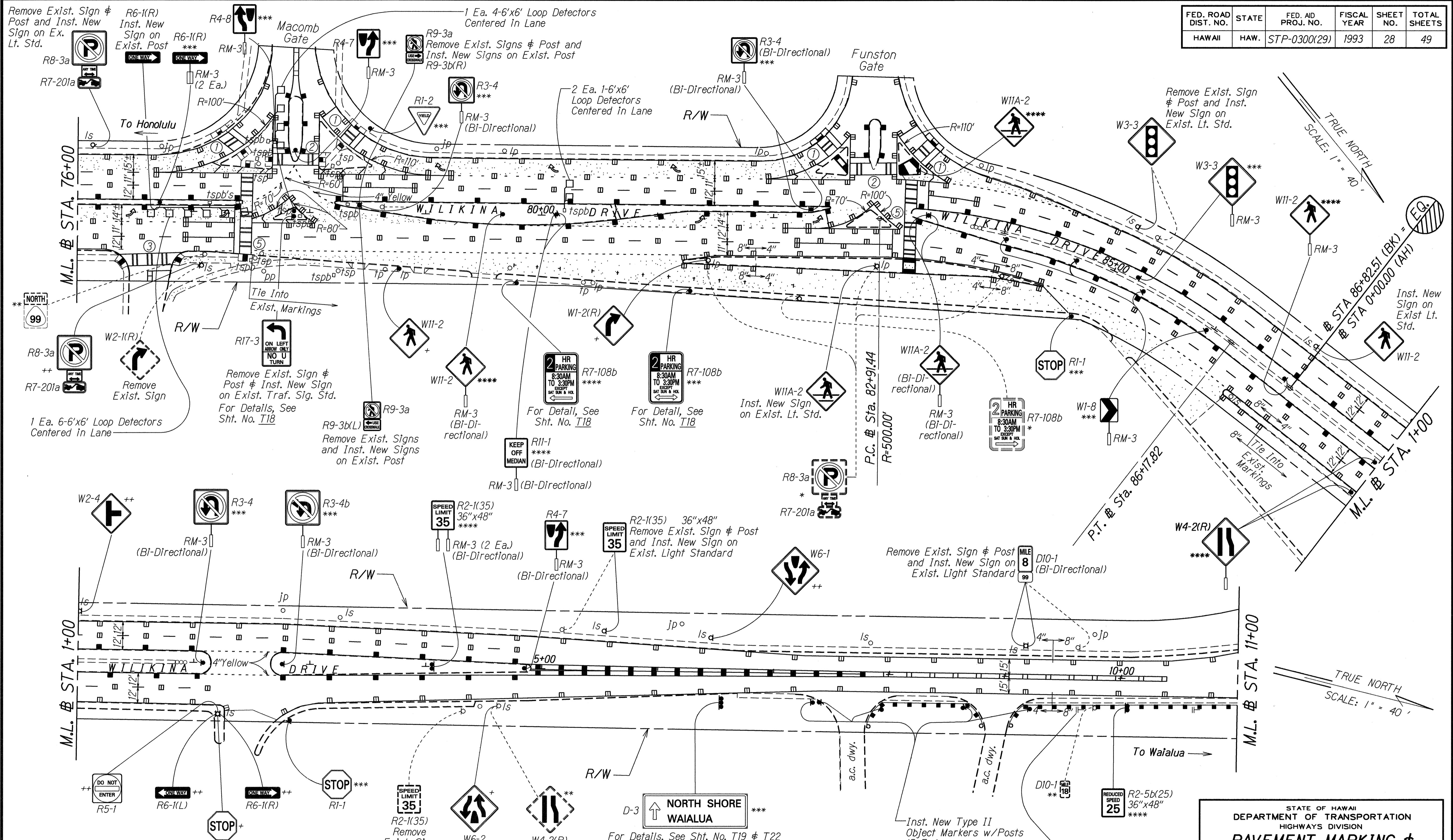
STATE OF HAWAII
DEPARTMENT OF TRANSPORTATION
HIGHWAYS DIVISION

**PAVEMENT MARKING &
SIGNING PLAN**

KAMEHAMEHA HIGHWAY RESURFACING
Wilikina Dr. & Kamanui Rd. Resurfacing
F. A. Project No. STP-0300(29)

Scale: 1"=40' Date: April 1993
SHEET No. 25 OF 27 SHEETS

FED. ROAD DIST. NO.	STATE	FED. AID PROJ. NO.	FISCAL YEAR	SHEET NO.	TOTAL SHEETS
HAWAII	HAW.	STP-0300(29)	1993	28	49



SURVEY PLOTTED BY	DATE
DESIGNED BY	
TRACED BY	
DESIGNED BY	
QUANTITIES BY	
CHECKED BY	
ORIGINAL PLAN	
NOTE BOOK	
NO.	

KEY:

- * Existing Sign(s) & Post(s) to Remain
- ** Remove Existing Sign(s) & Post(s)
- *** Remove Existing Sign(s) & Post(s) and Install New Sign(s) & Post(s)
- **** Install New Sign(s) & Post(s)
- + Install New Sign(s) on Existing Light Standard
- ++ Remove Existing Sign(s) and Install New Sign(s) on Existing Light Standard

DATE	REVISION
6/7/93	Revise Pavement Markings & Reflector Markers

STATE OF HAWAII
DEPARTMENT OF TRANSPORTATION
HIGHWAYS DIVISION

PAVEMENT MARKING & SIGNING PLAN

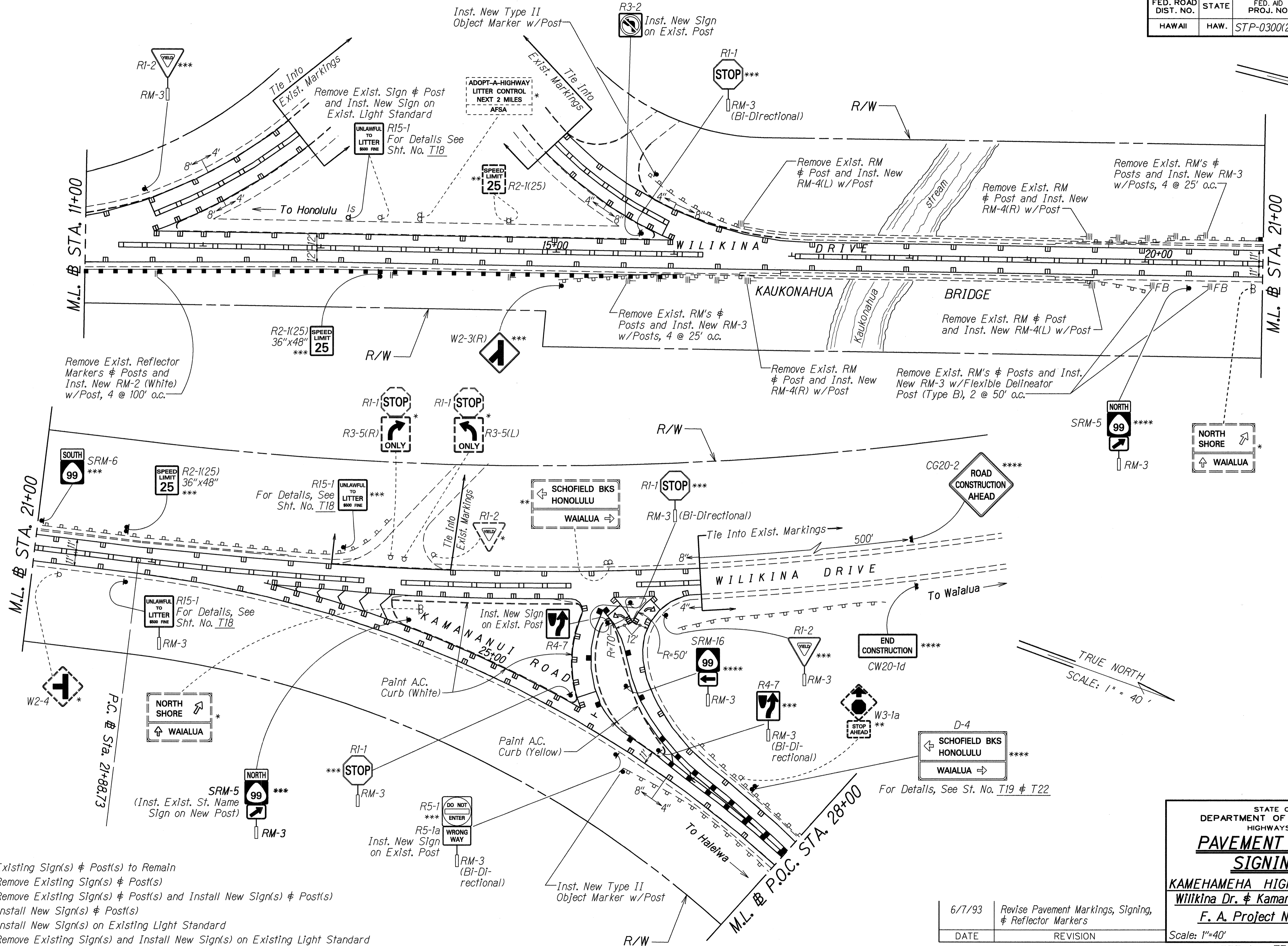
**KAMEHAMEHA HIGHWAY RESURFACING
Wilikina Dr. & Kamanui Rd. Resurfacing**

F. A. Project No. STP-0300(29)

Scale: 1"=40' Date: April 1993

SHEET No. 76 OF 27 SHEETS

FED. ROAD DIST. NO.	STATE	FED. AID PROJ. NO.	FISCAL YEAR	SHEET NO.	TOTAL SHEETS
HAWAII	HAW.	STP-0300(29)	1993	29	49



TRUE NORTH
SCALE: 1" = 40'

TRUE NORTH
SCALE: 1" = 40'

SURVEY PLOTTED BY	DATE
DESIGNED BY	
QUANTITIES BY	
CHECKED BY	
ORIGINAL PLAN	
NOTE BOOK	

- KEY:**
- * Existing Sign(s) & Post(s) to Remain
 - ** Remove Existing Sign(s) & Post(s)
 - *** Remove Existing Sign(s) & Post(s) and Install New Sign(s) & Post(s)
 - **** Install New Sign(s) & Post(s)
 - + Install New Sign(s) on Existing Light Standard
 - ++ Remove Existing Sign(s) and Install New Sign(s) on Existing Light Standard

6/7/93	Revise Pavement Markings, Signing, & Reflector Markers
DATE	REVISION

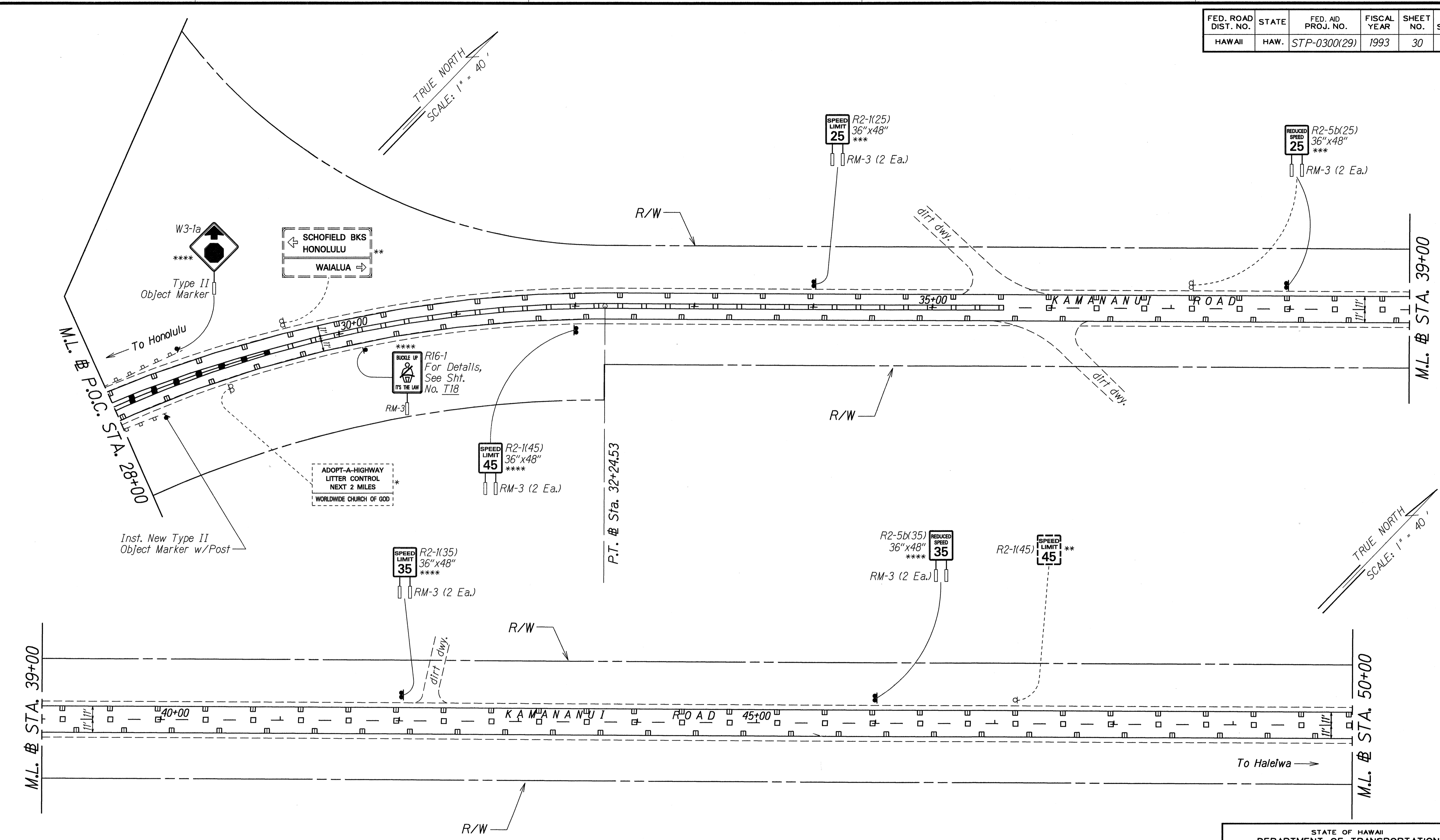
STATE OF HAWAII
DEPARTMENT OF TRANSPORTATION
HIGHWAYS DIVISION

PAVEMENT MARKING & SIGNING PLAN

KAMEHAMEHA HIGHWAY RESURFACING
Wilikina Dr. & Kamananui Rd. Resurfacing
F. A. Project No. STP-0300(29)

Scale: 1"=40' Date: April 1993
SHEET No. 17 OF 27 SHEETS

FED. ROAD DIST. NO.	STATE	FED. AID PROJ. NO.	FISCAL YEAR	SHEET NO.	TOTAL SHEETS
HAWAII	HAW.	STP-0300(29)	1993	30	49



DATE	DATE
SURVEY PLOTTED BY	TRACED BY
DESIGNED BY	QUANTITIES BY
CHECKED BY	
ORIGINAL PLAN	NOTE BOOK

- KEY:**
- * Existing Sign(s) & Post(s) to Remain
 - ** Remove Existing Sign(s) & Post(s)
 - *** Remove Existing Sign(s) & Post(s) and Install New Sign(s) & Post(s)
 - **** Install New Sign(s) & Post(s)
 - + Install New Sign(s) on Existing Light Standard
 - ++ Remove Existing Sign(s) and Install New Sign(s) on Existing Light Standard

6/7/93	Add Reflector Marker
DATE	REVISION

STATE OF HAWAII
DEPARTMENT OF TRANSPORTATION
HIGHWAYS DIVISION

**PAVEMENT MARKING &
SIGNING PLAN**

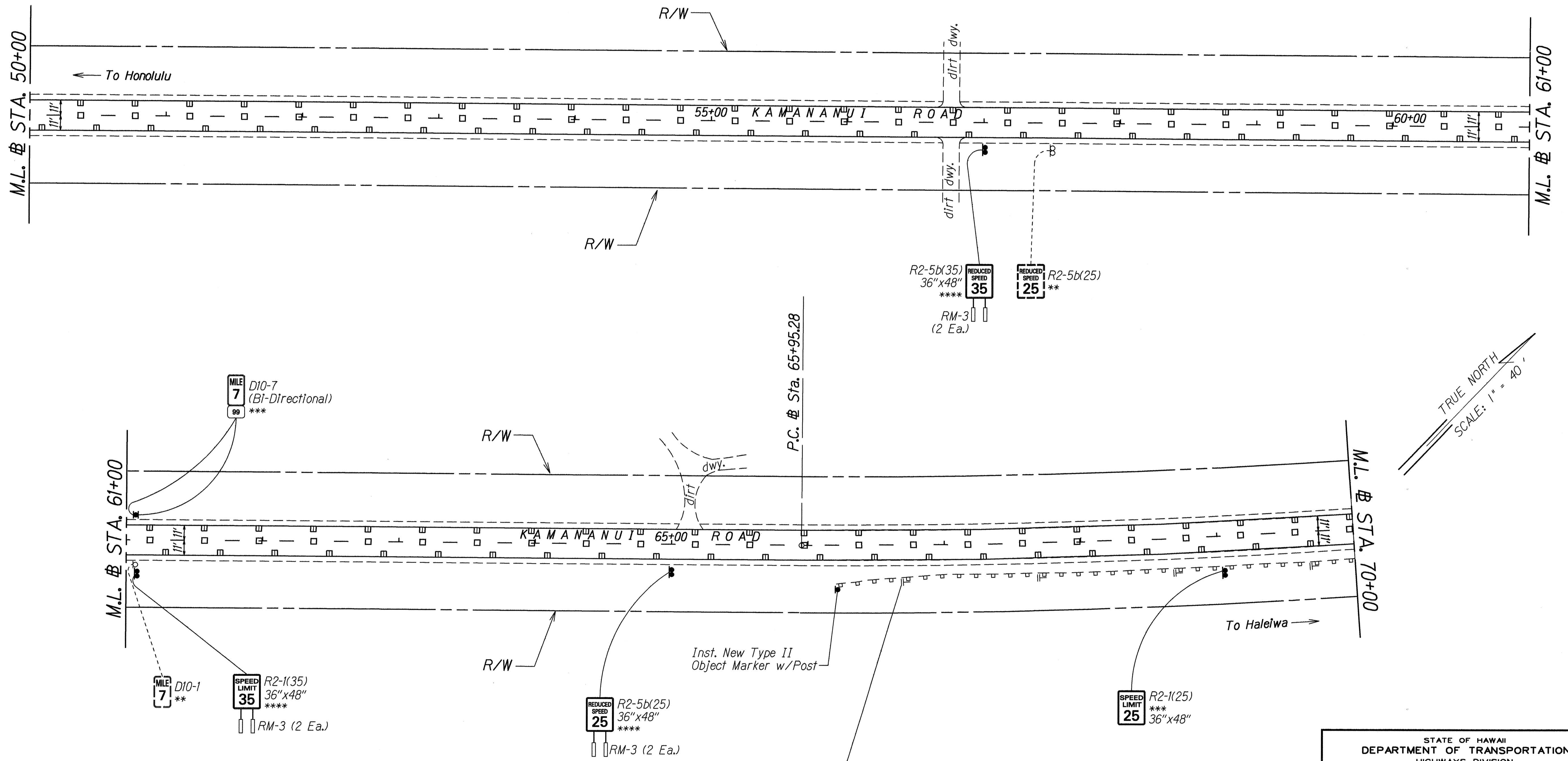
KAMEHAMEHA HIGHWAY RESURFACING
Wiikina Dr. & Kamanui Rd. Resurfacing
F. A. Project No. STP-0300(29)

Scale: 1"=40' Date: April 1993

SHEET No. 18 OF 27 SHEETS

FED. ROAD DIST. NO.	STATE	FED. AID PROJ. NO.	FISCAL YEAR	SHEET NO.	TOTAL SHEETS
HAWAII	HAW.	STP-0300(29)	1993	31	49

TRUE NORTH
SCALE: 1" = 40'



TRUE NORTH
SCALE: 1" = 40'

SURVEY PLOTTED BY	DATE
DRAWN BY	
DESIGNED BY	
QUANTITIES BY	
CHECKED BY	
ORIGINAL PLAN	
NOTE BOOK	

- KEY:**
- * Existing Sign(s) & Post(s) to Remain
 - ** Remove Existing Sign(s) & Post(s)
 - *** Remove Existing Sign(s) & Post(s) and Install New Sign(s) & Post(s)
 - **** Install New Sign(s) & Post(s)
 - + Install New Sign(s) on Existing Light Standard
 - ++ Remove Existing Sign(s) and Install New Sign(s) on Existing Light Standard

Remove Exist. Reflector Marker & Post and Inst. New RM-2 (White) w/Post, 4 @ 100' o.c.

STATE OF HAWAII
DEPARTMENT OF TRANSPORTATION
HIGHWAYS DIVISION

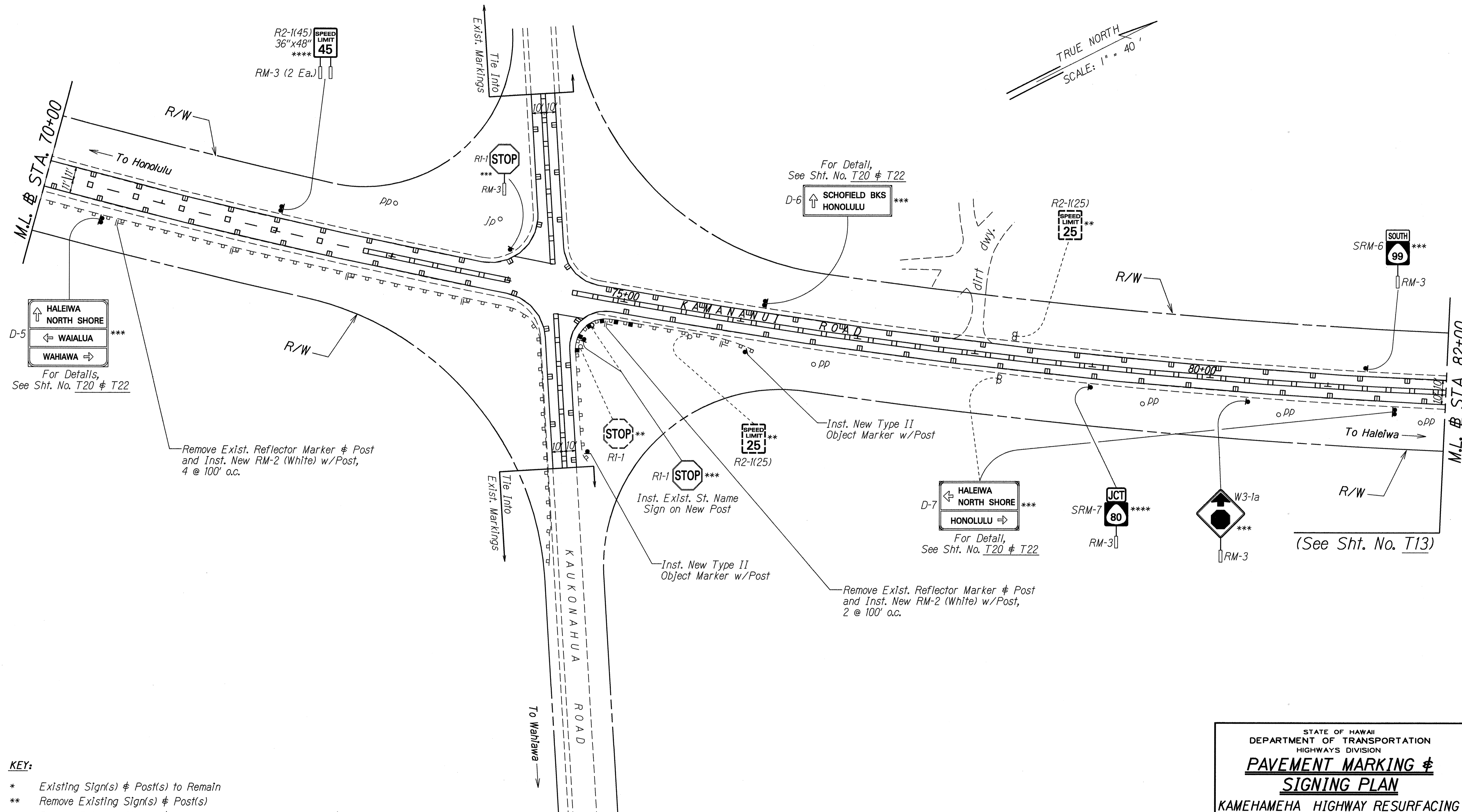
PAVEMENT MARKING & SIGNING PLAN

KAMEHAMEHA HIGHWAY RESURFACING
Waiikina Dr. & Kamananui Rd. Resurfacing
F. A. Project No. STP-0300(29)

Scale: 1"=40' Date: April 1993

SHEET No. 19 OF 27 SHEETS

FED. ROAD DIST. NO.	STATE	FED. AID PROJ. NO.	FISCAL YEAR	SHEET NO.	TOTAL SHEETS
HAWAII	HAW.	STP-0300(29)	1993	32	49



D-5
 HALEIWA NORTH SHORE ***
 ← WAIALUA ***
 WAHIAWA → ***
 For Details, See Sht. No. T20 & T22

Remove Exst. Reflector Marker & Post and Inst. New RM-2 (White) w/Post, 4 @ 100' a.c.

Inst. New Type II Object Marker w/Post
 Inst. Exst. St. Name Sign on New Post
 Inst. New Type II Object Marker w/Post

Remove Exst. Reflector Marker & Post and Inst. New RM-2 (White) w/Post, 2 @ 100' a.c.

D-7
 HALEIWA NORTH SHORE ***
 HONOLULU → ***
 For Detail, See Sht. No. T20 & T22

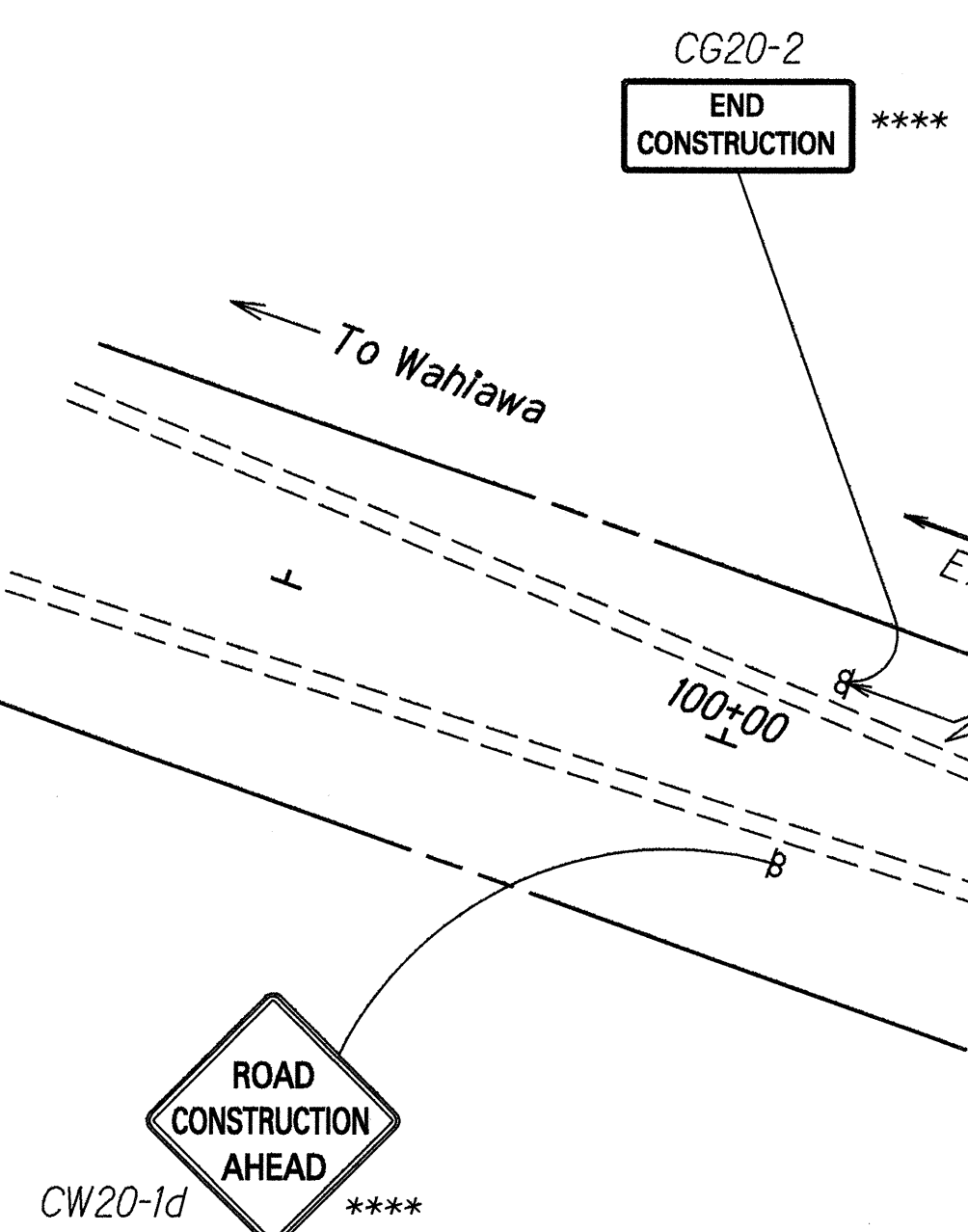
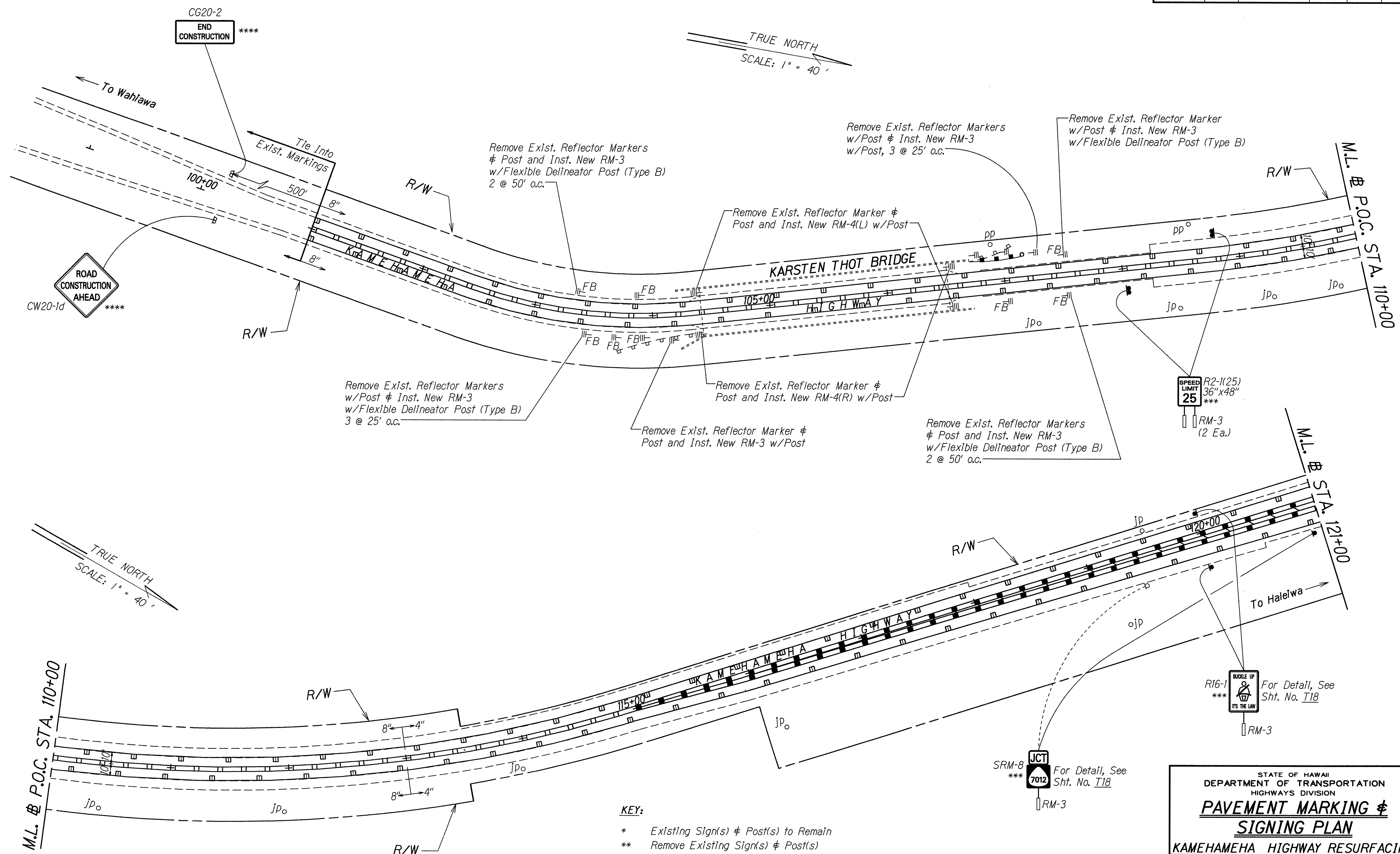
(See Sht. No. T13)

SURVEY PLOTTED BY	DATE
DRAWN BY	
DESIGNED BY	
QUANTITIES BY	
CHECKED BY	
ORIGINAL PLAN	
NOTE BOOK	
No.	

- KEY:**
- * Existing Sign(s) & Post(s) to Remain
 - ** Remove Existing Sign(s) & Post(s)
 - *** Remove Existing Sign(s) & Post(s) and Install New Sign(s) & Post(s)
 - **** Install New Sign(s) & Post(s)
 - + Install New Sign(s) on Existing Light Standard
 - ++ Remove Existing Sign(s) and Install New Sign(s) on Existing Light Standard

STATE OF HAWAII
 DEPARTMENT OF TRANSPORTATION
 HIGHWAYS DIVISION
PAVEMENT MARKING & SIGNING PLAN
 KAMEHAMEHA HIGHWAY RESURFACING
 Wilikina Dr. & Kamanuui Rd. Resurfacing
 F. A. Project No. STP-0300(29)
 Scale: 1"=40' Date: April 1993
 SHEET No. T10 OF 27 SHEETS

FED. ROAD DIST. NO.	STATE	FED. AID PROJ. NO.	FISCAL YEAR	SHEET NO.	TOTAL SHEETS
HAWAII	HAW.	STP-0300(29)	1993	33	49



- KEY:**
- * Existing Sign(s) & Post(s) to Remain
 - ** Remove Existing Sign(s) & Post(s)
 - *** Remove Existing Sign(s) & Post(s) and Install New Sign(s) & Post(s)
 - **** Install New Sign(s) & Post(s)
 - + Install New Sign(s) on Existing Light Standard
 - ++ Remove Existing Sign(s) and Install New Sign(s) on Existing Light Standard

SURVEY PLOTTED BY	DATE
DRAWN BY	
DESIGNED BY	
QUANTITIES BY	
CHECKED BY	
ORIGINAL PLAN	
NOTE BOOK	
No.	

STATE OF HAWAII
DEPARTMENT OF TRANSPORTATION
HIGHWAYS DIVISION

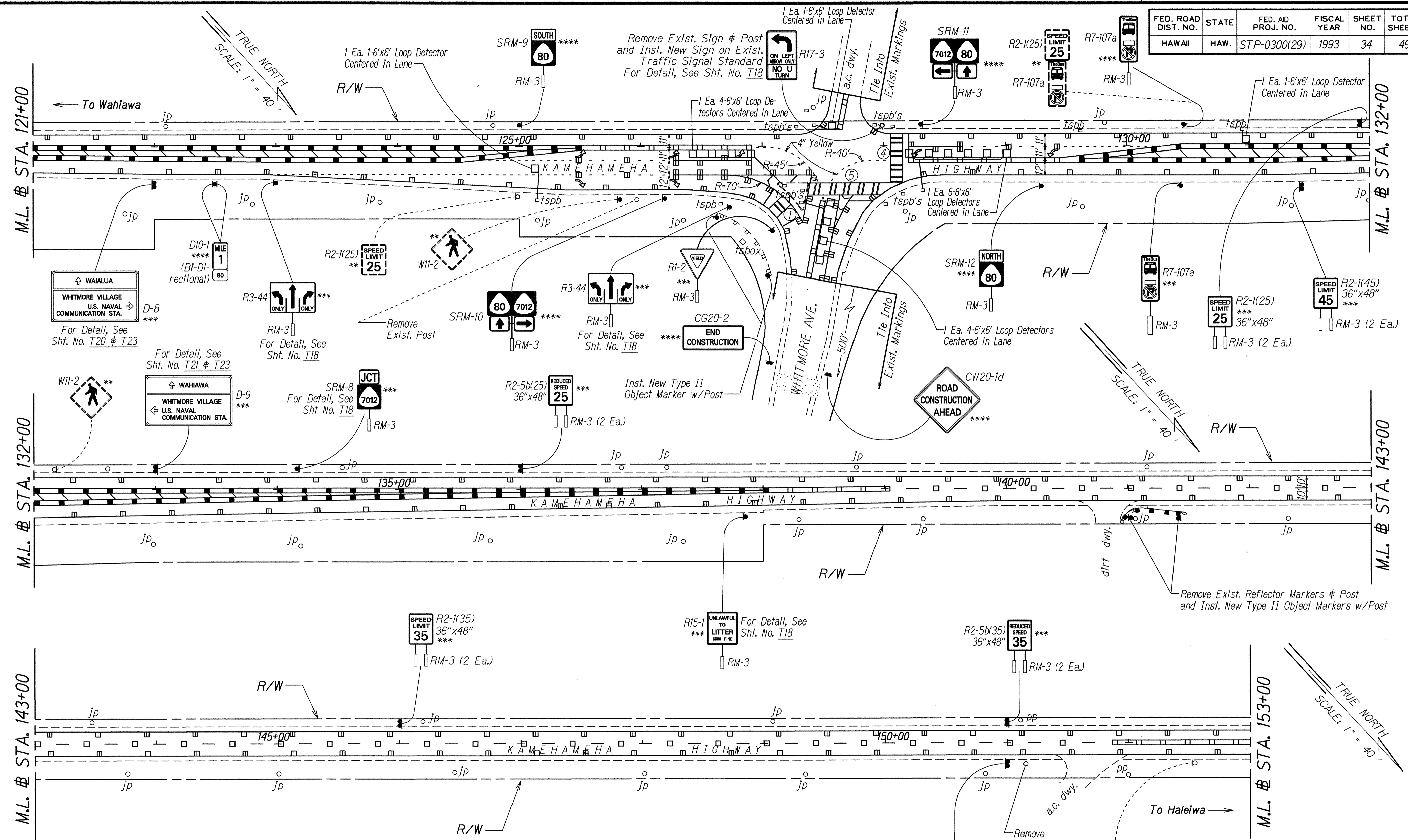
PAVEMENT MARKING & SIGNING PLAN

KAMEHAMEHA HIGHWAY RESURFACING
Waiikina Dr. & Kamananui Rd. Resurfacing
F. A. Project No. STP-0300(29)

Scale: 1"=40' Date: April 1993

SHEET No. 33 OF 27 SHEETS

FED. ROAD DIST. NO.	STATE	FED. AID PROJ. NO.	FISCAL YEAR	SHEET NO.	TOTAL SHEETS
HAWAII	HAW.	STP-0300(29)	1993	34	49



- KEY:**
- * Existing Sign(s) & Post(s) to Remain
 - ** Remove Existing Sign(s) & Post(s)
 - *** Remove Existing Sign(s) & Post(s) and Install New Sign(s) & Post(s)
 - **** Install New Sign(s) & Post(s)
 - + Install New Sign(s) on Existing Light Standard
 - ++ Remove Existing Sign(s) and Install New Sign(s) on Existing Light Standard

DATE	...
DESIGNED BY	...
QUANTITIES BY	...
CHECKED BY	...
ORIGINAL PLAN	...
NOTE BOOK	...
NO.	...

6/7/93	Revise Pavement Markings
DATE	REVISION

STATE OF HAWAII
DEPARTMENT OF TRANSPORTATION
HIGHWAYS DIVISION

PAVEMENT MARKING & SIGNING PLAN

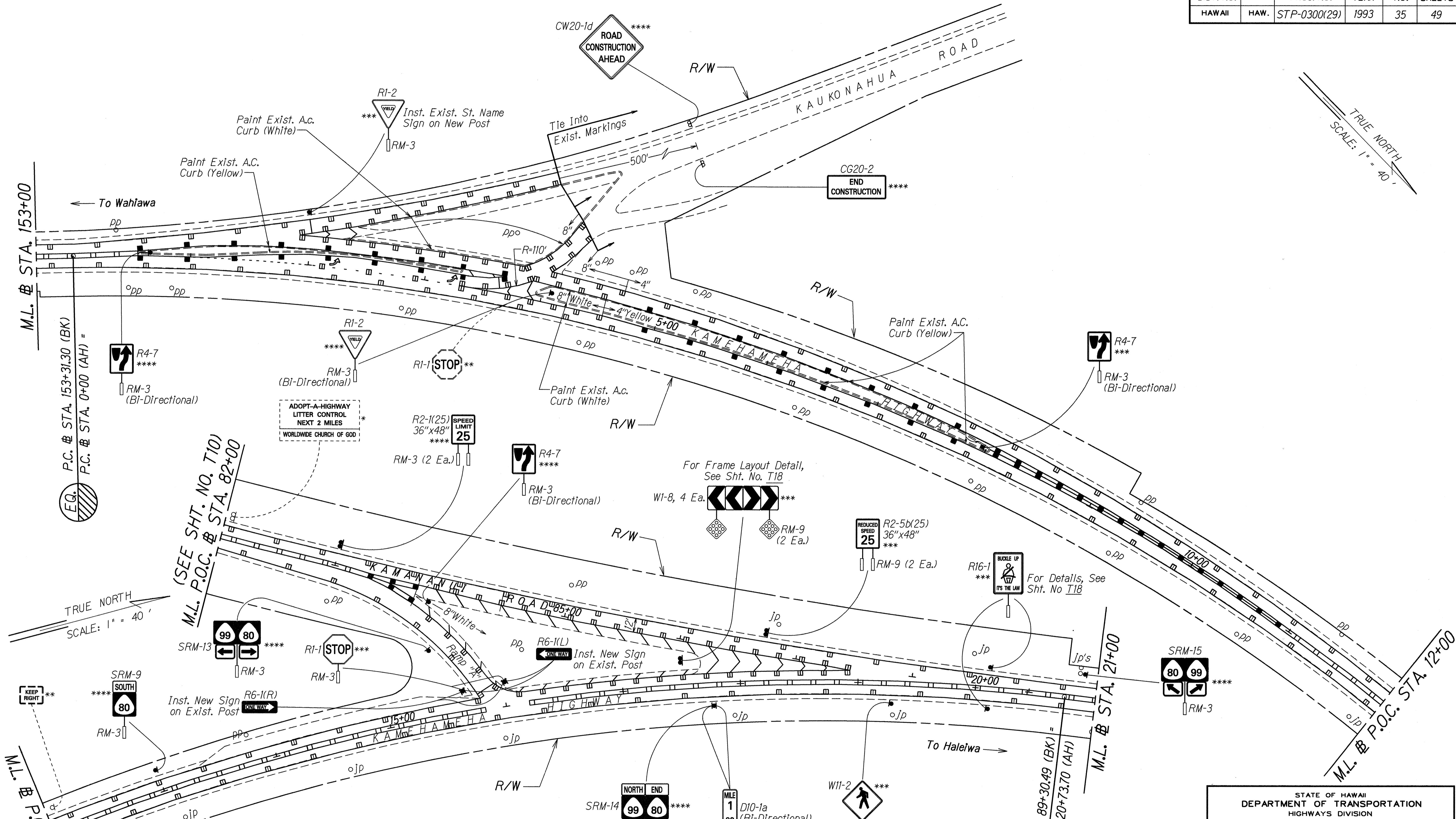
KAMEHAMEHA HIGHWAY RESURFACING
Waiikina Dr. & Kamananui Rd. Resurfacing
F. A. Project No. STP-0300(29)

Scale: 1"=40' Date: April 1993

SHEET No. T12 OF 27 SHEETS

FED. ROAD DIST. NO.	STATE	FED. AID PROJ. NO.	FISCAL YEAR	SHEET NO.	TOTAL SHEETS
HAWAII	HAW.	STP-0300(29)	1993	35	49

TRUE NORTH
SCALE: 1" = 40'



DATE
SURVEY PLOTTED BY
DESIGNED BY
TRACED BY
NOTE BOOK
QUANTITIES BY
CHECKED BY
No.

- KEY:**
- * Existing Sign(s) & Post(s) to Remain
 - ** Remove Existing Sign(s) & Post(s)
 - *** Remove Existing Sign(s) & Post(s) and Install New Sign(s) & Post(s)
 - **** Install New Sign(s) & Post(s)
 - + Install New Sign(s) on Existing Light Standard
 - ++ Remove Existing Sign(s) and Install New Sign(s) on Existing Light Standard

DATE	6/7/93	REVISION	Revise Pavement Markings
------	--------	----------	--------------------------

STATE OF HAWAII
DEPARTMENT OF TRANSPORTATION
HIGHWAYS DIVISION

PAVEMENT MARKING & SIGNING PLAN

KAMEHAMEHA HIGHWAY RESURFACING
Waiikina Dr. & Kamananui Rd. Resurfacing
F. A. Project No. STP-0300(29)

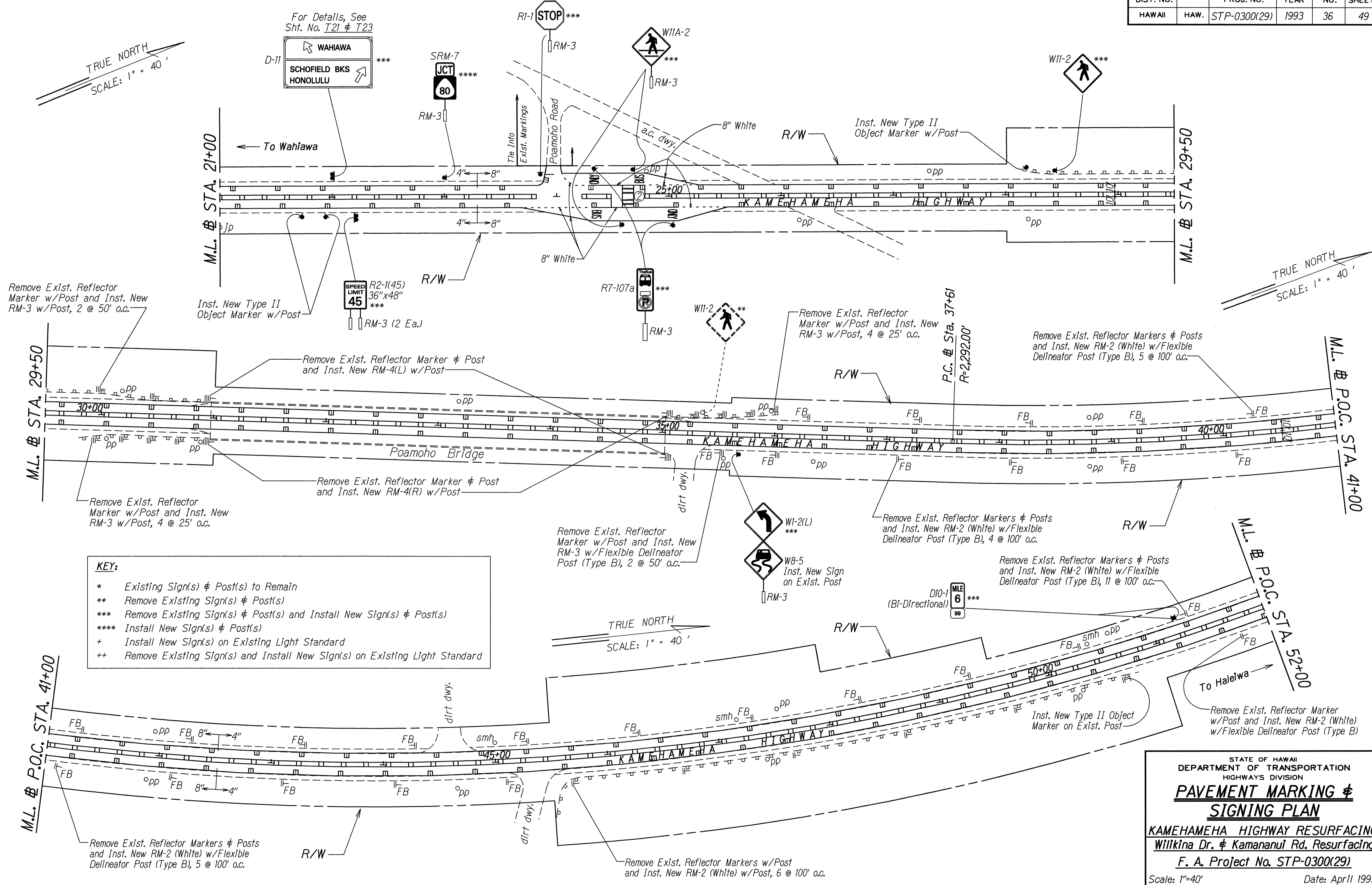
Scale: 1"=40' Date: April 1993

SHEET No. T13 OF 27 SHEETS

FED. ROAD DIST. NO.	STATE	FED. AID PROJ. NO.	FISCAL YEAR	SHEET NO.	TOTAL SHEETS
HAWAII	HAW.	STP-0300(29)	1993	36	49

TRUE NORTH
SCALE: 1" = 40'

TRUE NORTH
SCALE: 1" = 40'



Remove Exist. Reflector Marker w/Post and Inst. New RM-3 w/Post, 2 @ 50' o.c.

Inst. New Type II Object Marker w/Post

SPEED LIMIT 45
R2-1(45) 36"x48"

RM-3 (2 Ea.)

Remove Exist. Reflector Marker w/Post and Inst. New RM-3 w/Post, 4 @ 25' o.c.

Remove Exist. Reflector Markers & Posts and Inst. New RM-2 (White) w/Flexible Delineator Post (Type B), 5 @ 100' o.c.

KEY:

- * Existing Sign(s) & Post(s) to Remain
- ** Remove Existing Sign(s) & Post(s)
- *** Remove Existing Sign(s) & Post(s) and Install New Sign(s) & Post(s)
- **** Install New Sign(s) & Post(s)
- + Install New Sign(s) on Existing Light Standard
- ++ Remove Existing Sign(s) and Install New Sign(s) on Existing Light Standard

TRUE NORTH
SCALE: 1" = 40'

M.L. & P.O.C. STA. 41+00

M.L. & P.O.C. STA. 52+00

Remove Exist. Reflector Markers & Posts and Inst. New RM-2 (White) w/Flexible Delineator Post (Type B), 5 @ 100' o.c.

Remove Exist. Reflector Markers w/Post and Inst. New RM-2 (White) w/Post, 6 @ 100' o.c.

Remove Exist. Reflector Marker w/Post and Inst. New RM-2 (White) w/Flexible Delineator Post (Type B)

SURVEY PLOTTED BY	DATE
DRAWN BY	
DESIGNED BY	
QUANTITIES BY	
CHECKED BY	
ORIGINAL PLAN	
NOTE BOOK	
N.	

STATE OF HAWAII
DEPARTMENT OF TRANSPORTATION
HIGHWAYS DIVISION

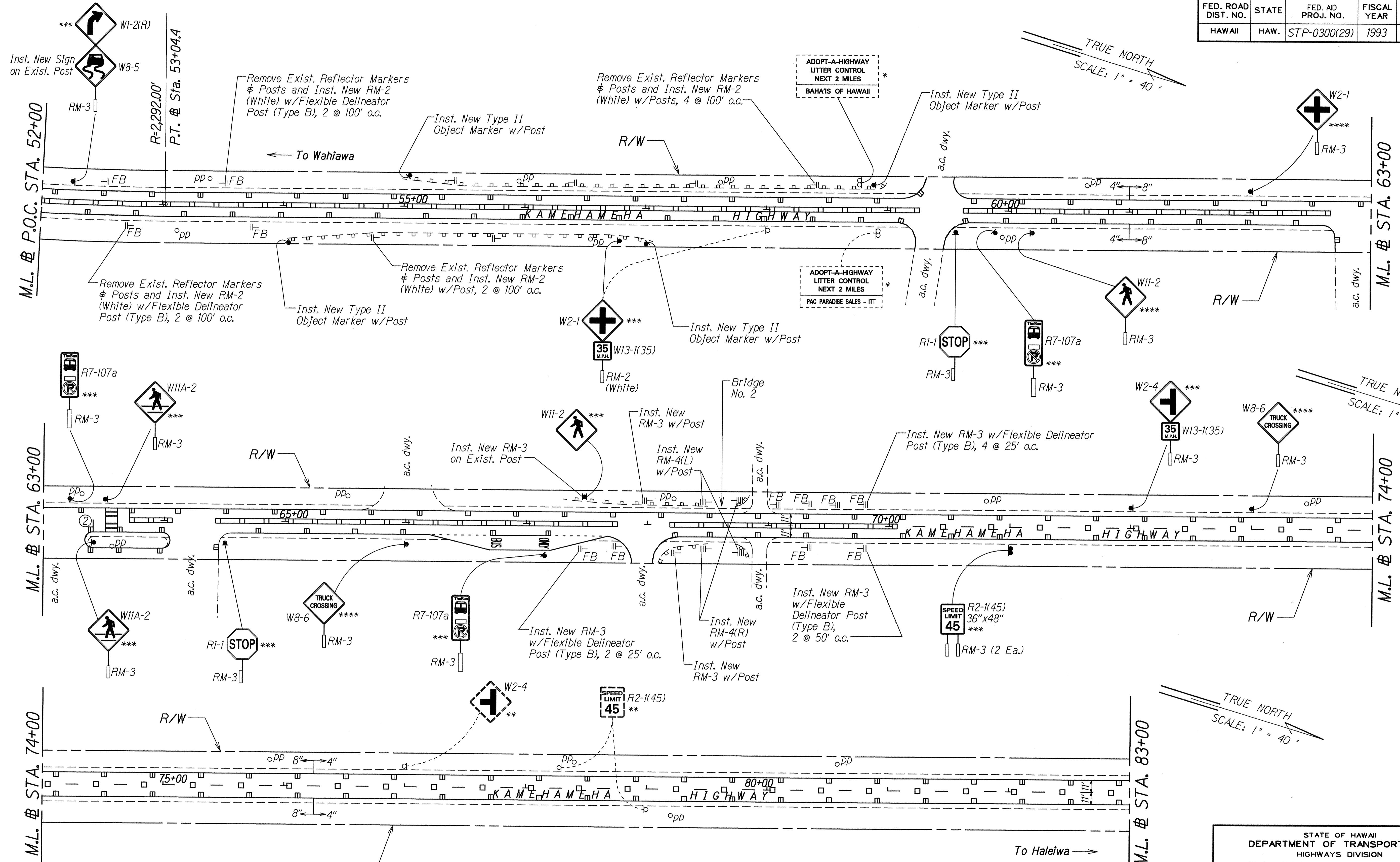
PAVEMENT MARKING & SIGNING PLAN

KAMEHAMEHA HIGHWAY RESURFACING
Wiikina Dr. & Kamananui Rd. Resurfacing
F. A. Project No. STP-0300(29)

Scale: 1"=40' Date: April 1993

SHEET No. T14 OF 27 SHEETS

FED. ROAD DIST. NO.	STATE	FED. AID PROJ. NO.	FISCAL YEAR	SHEET NO.	TOTAL SHEETS
HAWAII	HAW.	STP-0300(29)	1993	37	49



DATE	_____
SURVEY PLOTTED BY	_____
DESIGNED BY	_____
TRACED BY	_____
NOTED BY	_____
CHECKED BY	_____
DATE	_____

- KEY:**
- * Existing Sign(s) & Post(s) to Remain
 - ** Remove Existing Sign(s) & Post(s)
 - *** Remove Existing Sign(s) & Post(s) and Install New Sign(s) & Post(s)
 - **** Install New Sign(s) & Post(s)
 - + Install New Sign(s) on Existing Light Standard
 - ++ Remove Existing Sign(s) and Install New Sign(s) on Existing Light Standard

DATE	REVISION
6/7/93	Revise Pavement Markings, Relocate Signs and add new Reflector Markers

STATE OF HAWAII
DEPARTMENT OF TRANSPORTATION
HIGHWAYS DIVISION

**PAVEMENT MARKING &
SIGNING PLAN**

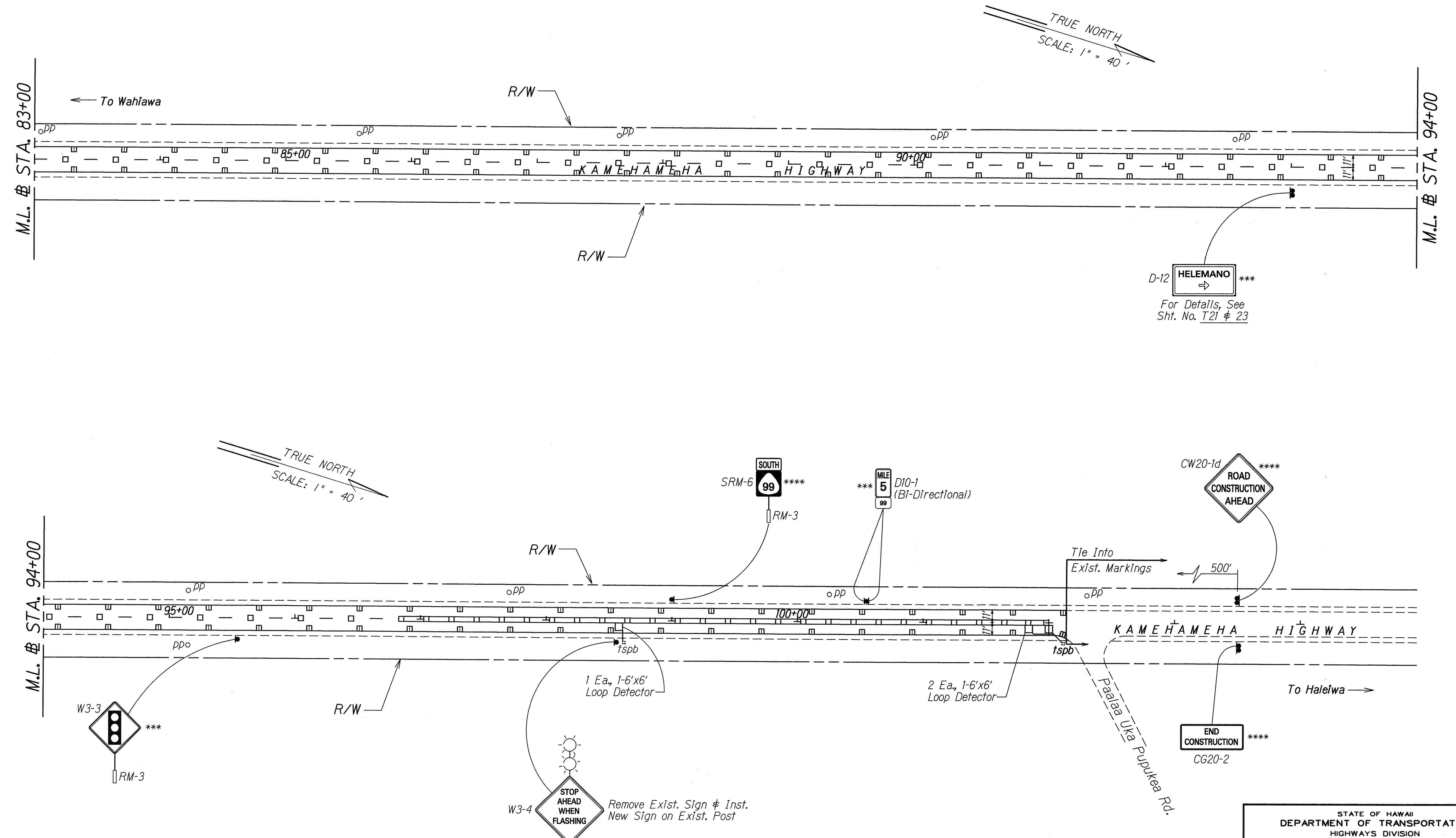
KAMEHAMEHA HIGHWAY RESURFACING
Waiikina Dr. & Kamanui Rd. Resurfacing

F. A. Project No. STP-0300(29)

Scale: 1"=40' Date: April 1993

SHEET No. T15 OF 27 SHEETS

FED. ROAD DIST. NO.	STATE	FED. AID PROJ. NO.	FISCAL YEAR	SHEET NO.	TOTAL SHEETS
HAWAII	HAW.	STP-0300(29)	1993	38	49



DATE	DATE
DESIGNED BY	CHECKED BY
TRACED BY	QUANTITIES BY
NOTED BY	
NO.	

- KEY:**
- * Existing Sign(s) & Post(s) to Remain
 - ** Remove Existing Sign(s) & Post(s)
 - *** Remove Existing Sign(s) & Post(s) and Install New Sign(s) & Post(s)
 - **** Install New Sign(s) & Post(s)
 - + Install New Sign(s) on Existing Light Standard
 - ++ Remove Existing Sign(s) and Install New Sign(s) on Existing Light Standard

6/7/93	Add Pavement Markings & Loop Detectors
DATE	REVISION

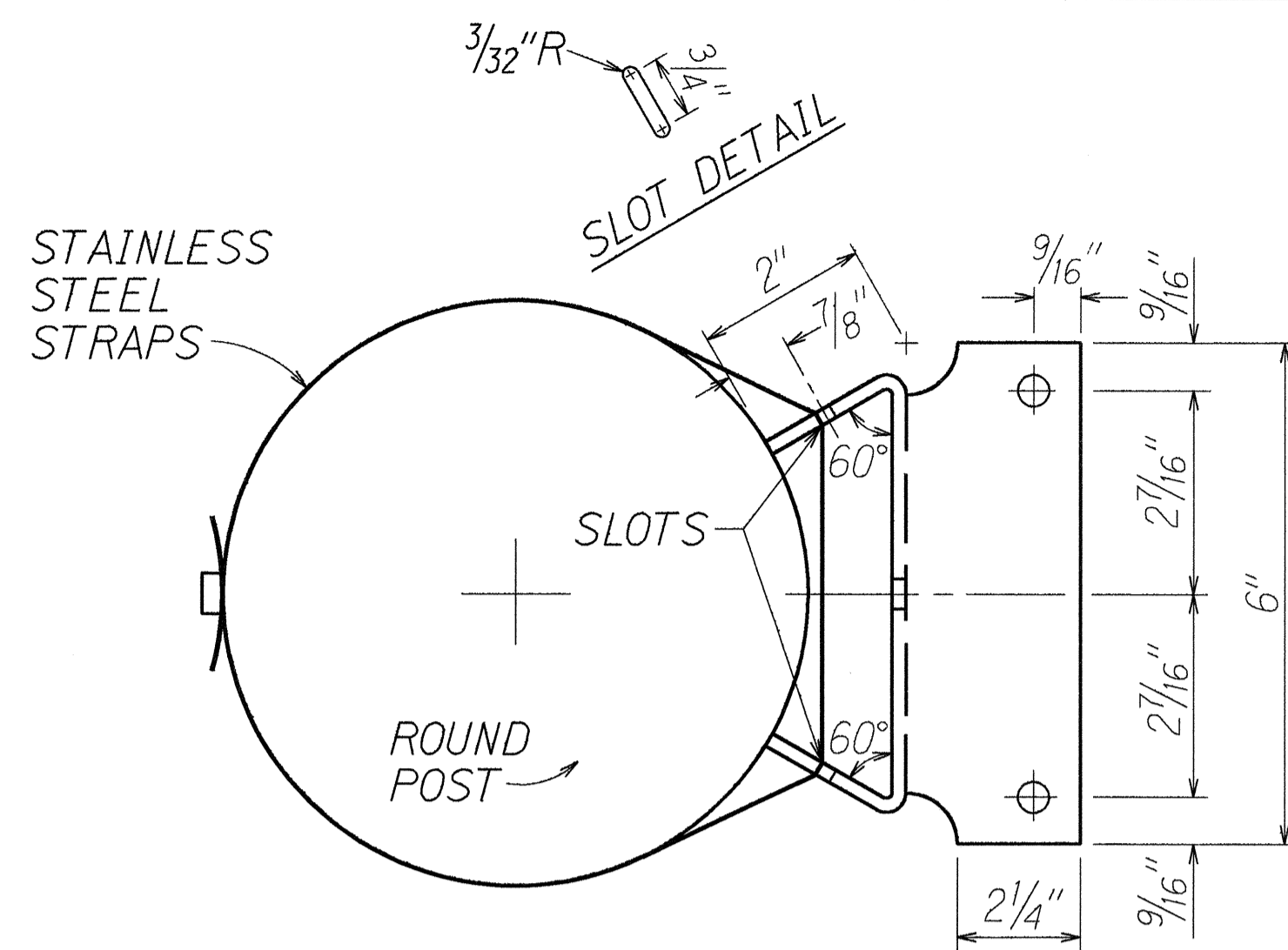
STATE OF HAWAII
DEPARTMENT OF TRANSPORTATION
HIGHWAYS DIVISION

**PAVEMENT MARKING &
SIGNING PLAN**

KAMEHAMEHA HIGHWAY RESURFACING
Waiikina Dr. & Kamananui Rd. Resurfacing
F. A. Project No. STP-0300(29)

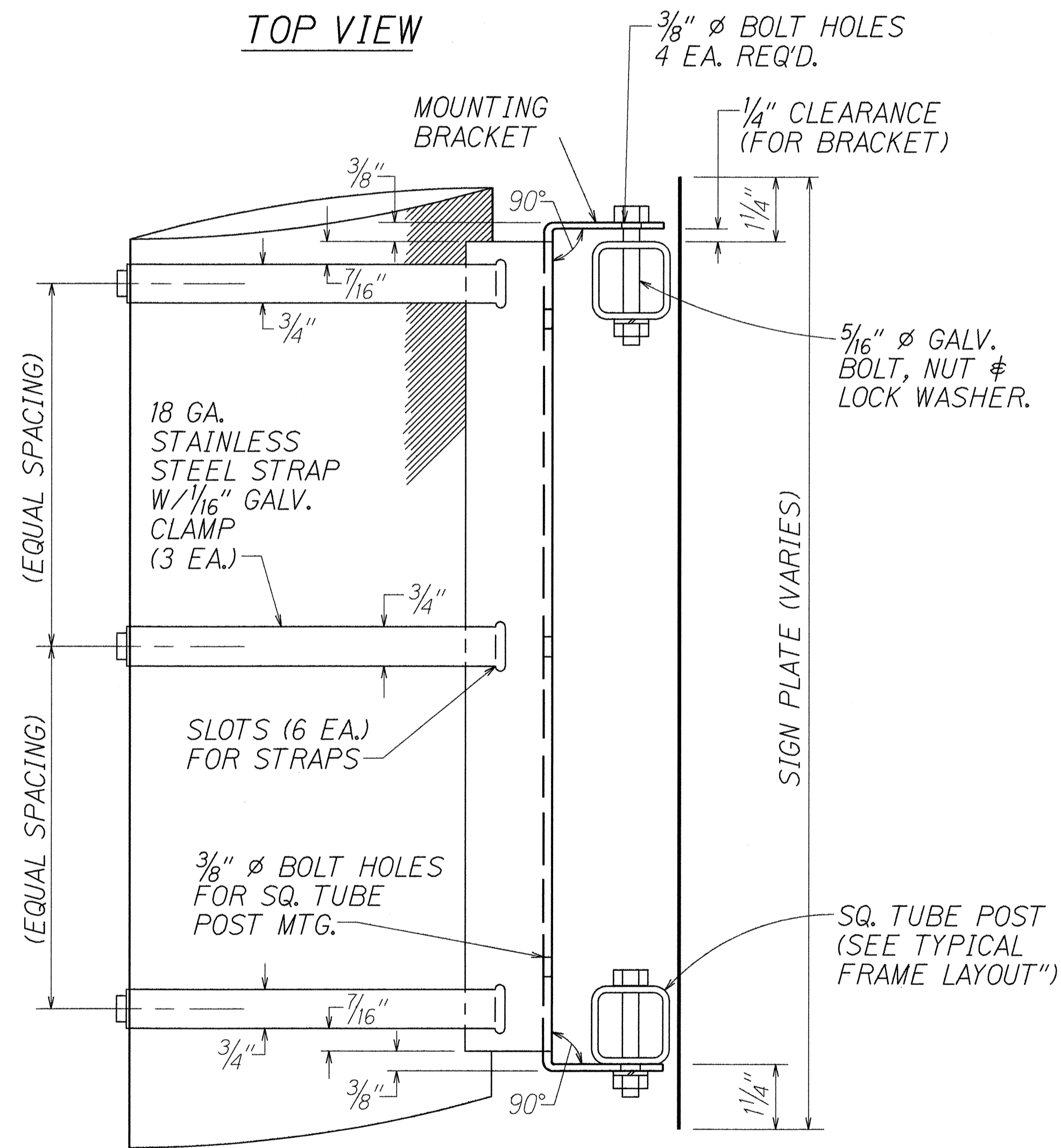
Scale: 1"=40' Date: April 1993
SHEET No. T16 OF 27 SHEETS

FED. ROAD DIST. NO.	STATE	FED. AID PROJ. NO.	FISCAL YEAR	SHEET NO.	TOTAL SHEETS
HAWAII	HAW.	STP-0300(29)	1993	-39	49

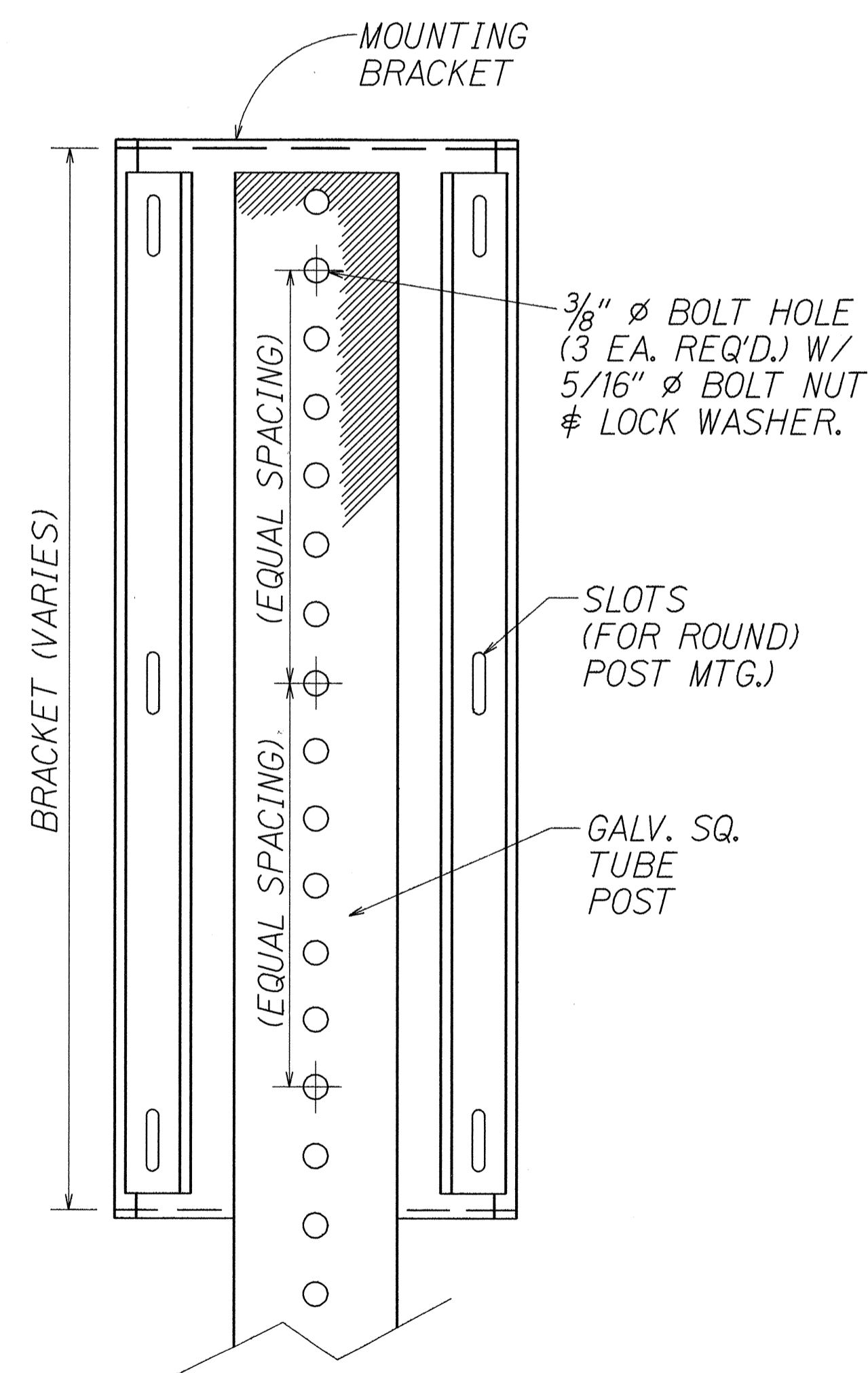


TOP VIEW

- NOTE:**
- MATERIAL TO BE 12 GA. HOT ROLLED STEEL SHEET, LOW CARBON, COMMERCIAL QUALITY, SPECIFICATIONS QQS-636, GRADE 1010.
 - BRACKET TO BE HOT DIPPED GALV. AFTER FABRICATION PER SPECIFICATION ASTM-A-124-68
 - ALL BEND RADII TO BE 1/8"
 - DEBURR ALL SHARP EDGES
 - TOLERANCES: DIMENSIONS, ±1/32" ANGLES, ± 0°-30"



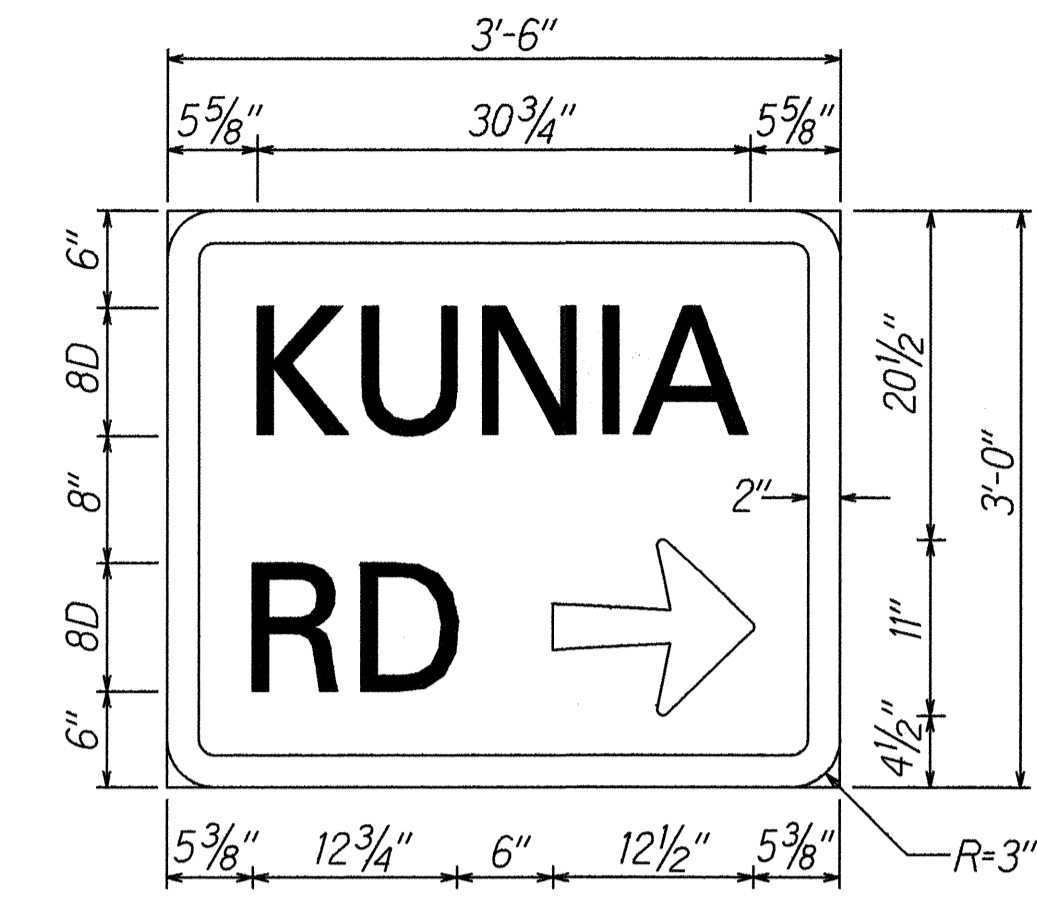
SIDE VIEW
(ROUND POST MOUNTING)



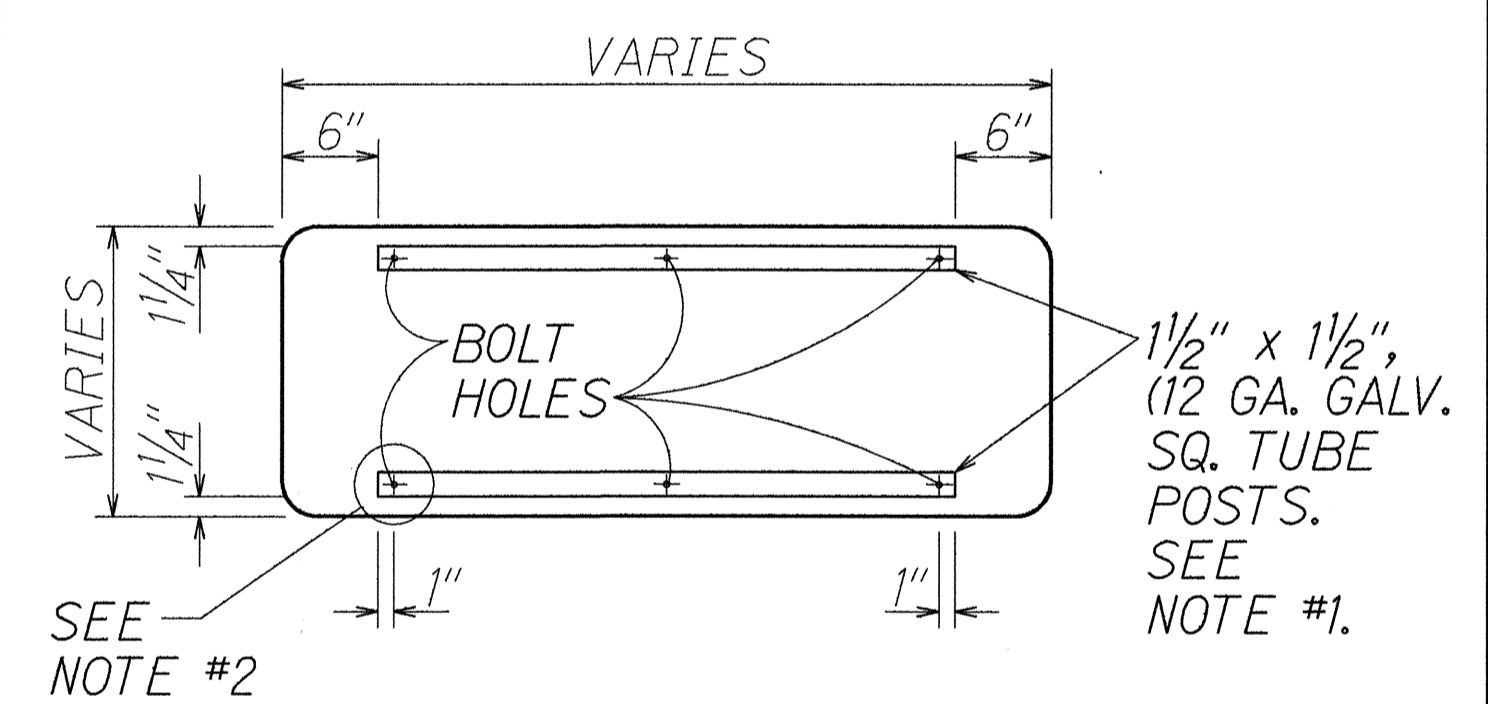
BACK VIEW
(SQ. TUBE POST MOUNTING)

MOUNTING BRACKET FOR UNBALANCED SIGN INSTALLATION

NOT TO SCALE



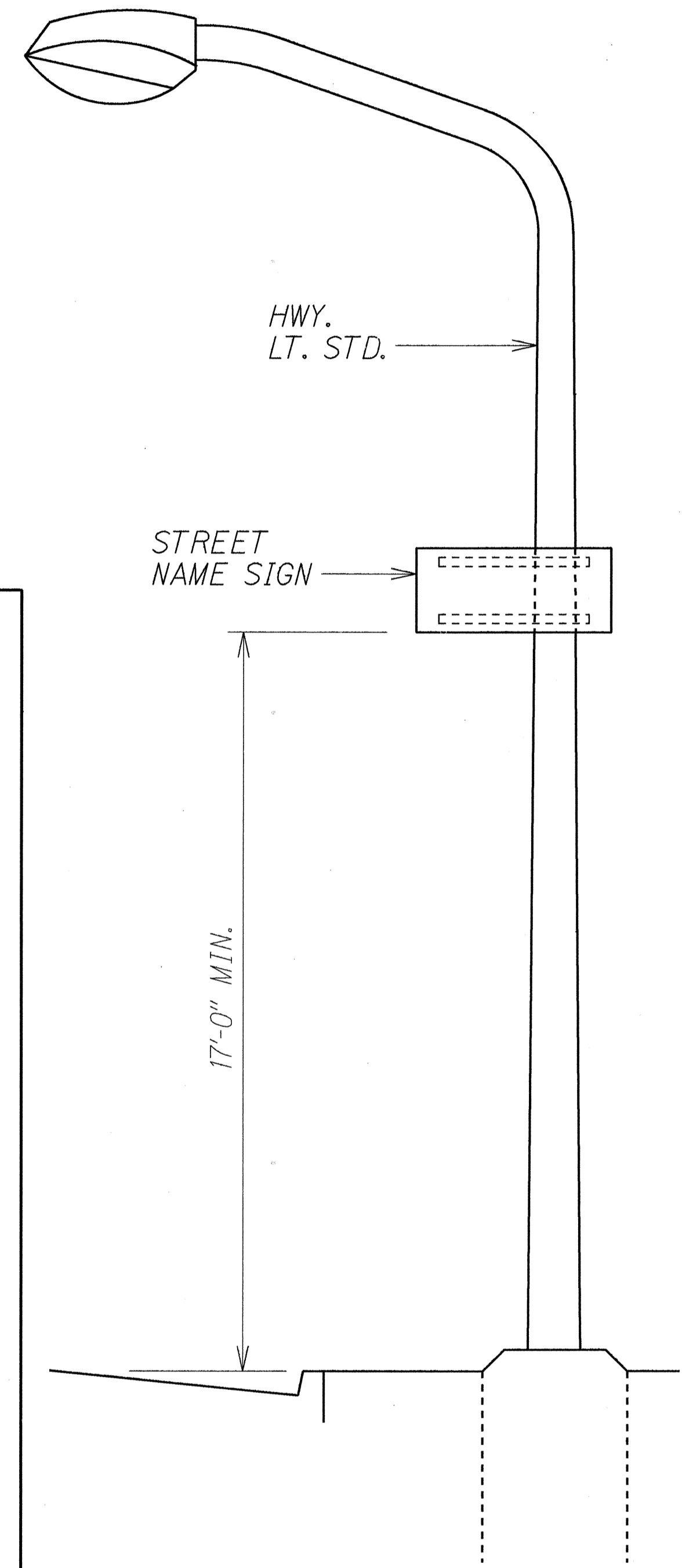
SN-1
Scale: 1"=1'-0"



TYPICAL FRAME LAYOUT

SCALE: 1"=1'-0"

- NOTE:**
- SQ. TUBE POSTS SHALL BE AS SPECIFIED IN THE SPECIAL PROVISIONS.
 - SIGN PANEL SHALL BE ATTACHED TO SQ. TUBE POST WITH 5/16" Ø GALV. BOLT, NUT, LOCK WASHER & 7/8" x 0.06" STAINLESS STEEL FLAT WASHER WITH NEOPRENE RUBBER GASKET.



SURVEY PLOTTED BY	DATE
DRAWN BY	
DESIGNED BY	
QUANTITIES BY	
CHECKED BY	
ORIGINAL PLAN	
NOTE BOOK	
N.	

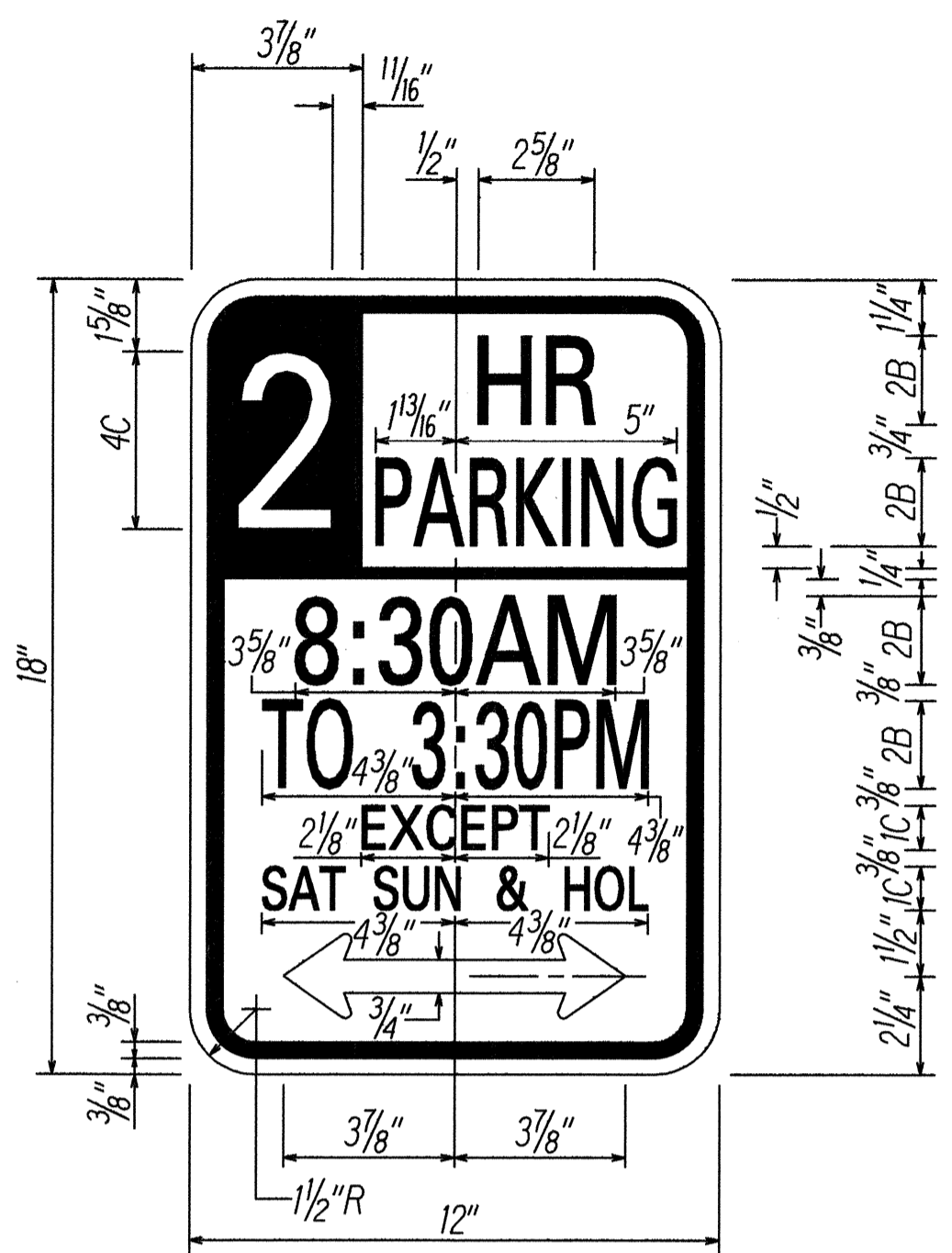
STATE OF HAWAII
DEPARTMENT OF TRANSPORTATION
HIGHWAYS DIVISION

UNBALANCED SIGN INSTALLATION

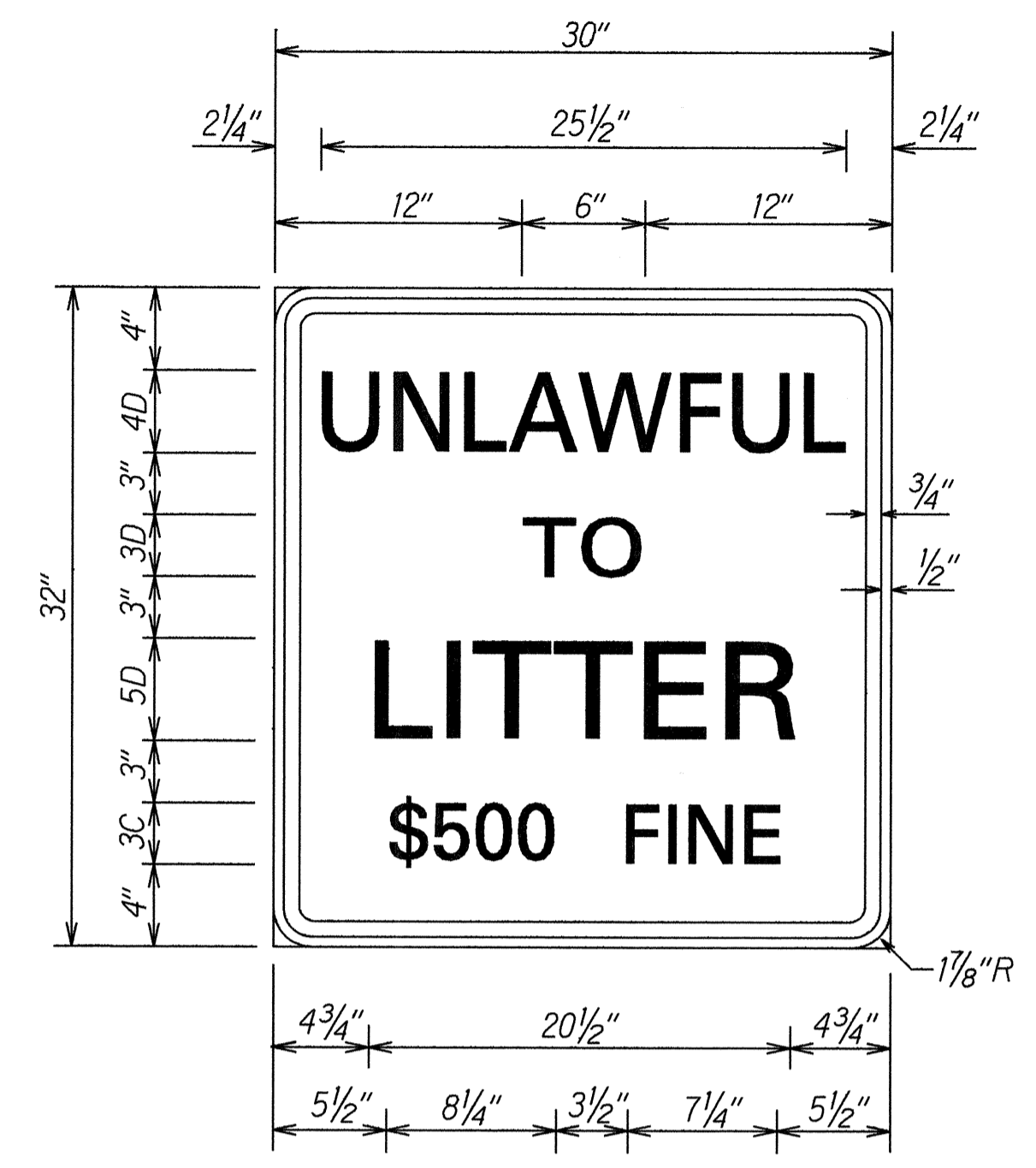
KAMEHAMEHA HIGHWAY RESURFACING
Waiikina Dr. & Kamananui Rd. Resurfacing
F. A. Project No. STP-0300(29)

Scale: As Shown Date: April 1993
SHEET No. 117 OF 27 SHEETS

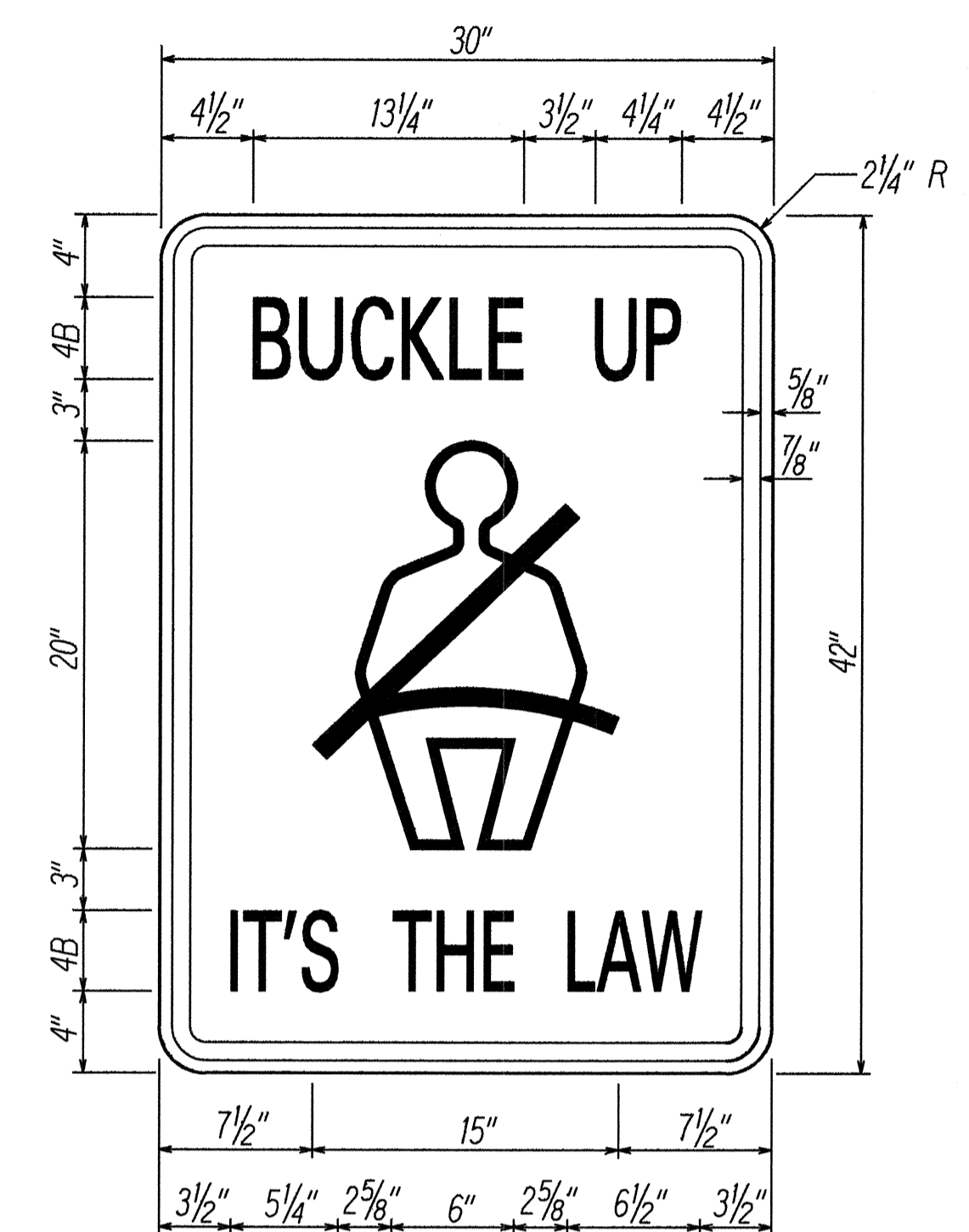
FED. ROAD DIST. NO.	STATE	FED. AID PROJ. NO.	FISCAL YEAR	SHEET NO.	TOTAL SHEETS
HAWAII	HAW.	STP-0300(29)	1993	40	49



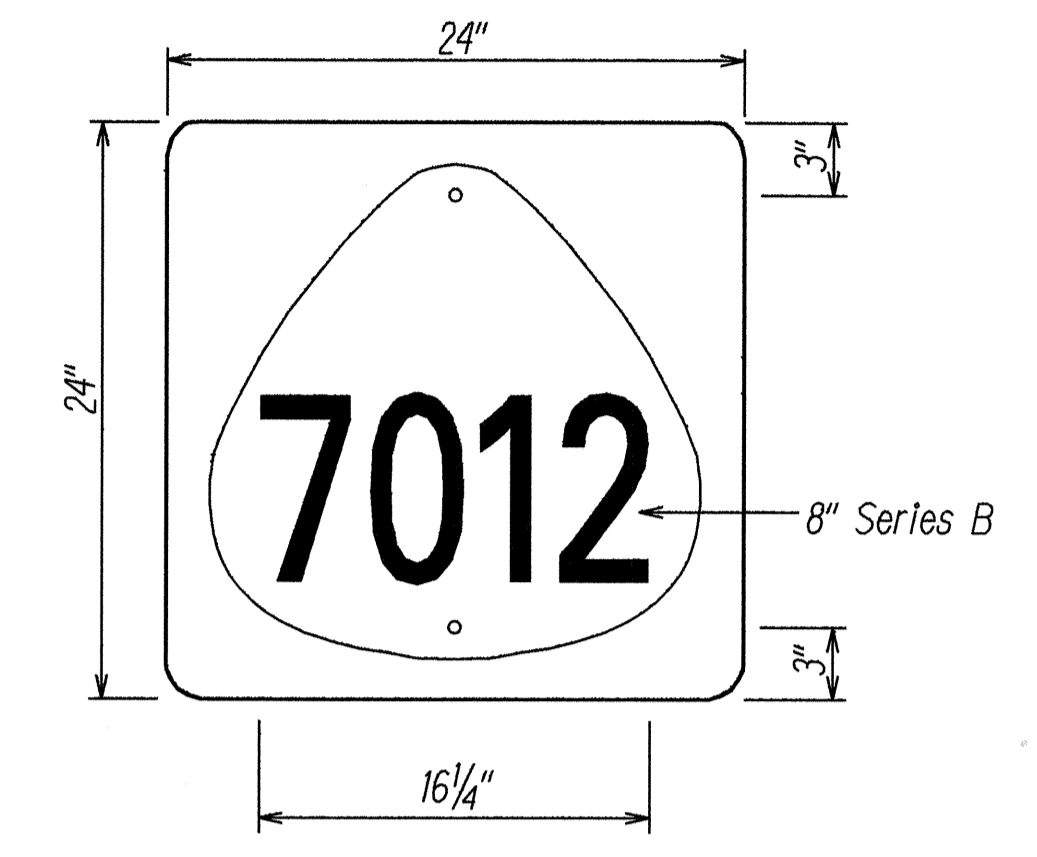
R7-108b
Scale: 3/4"=1'-0"



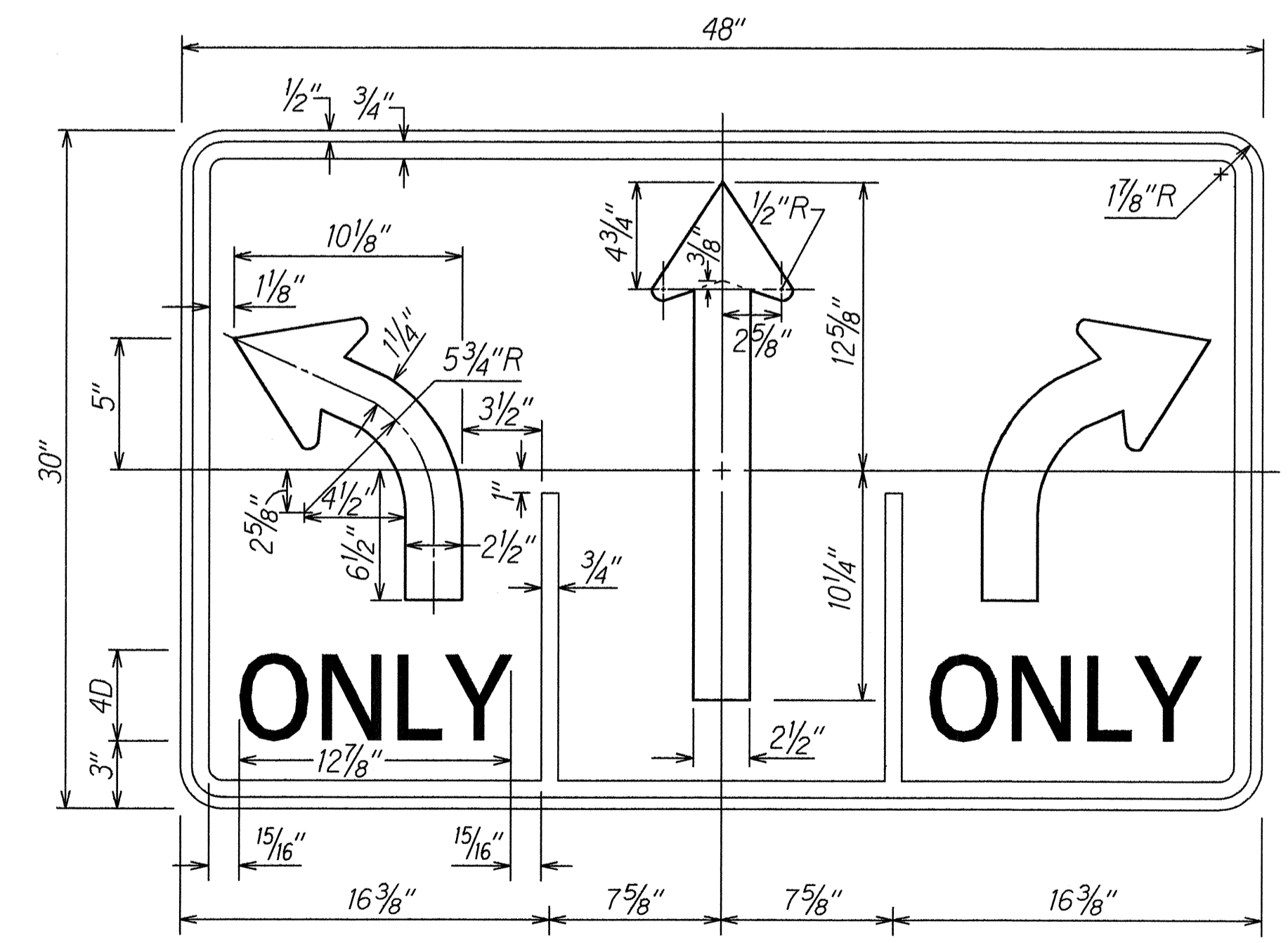
R15-1
Scale: 1/2"=1'-0"



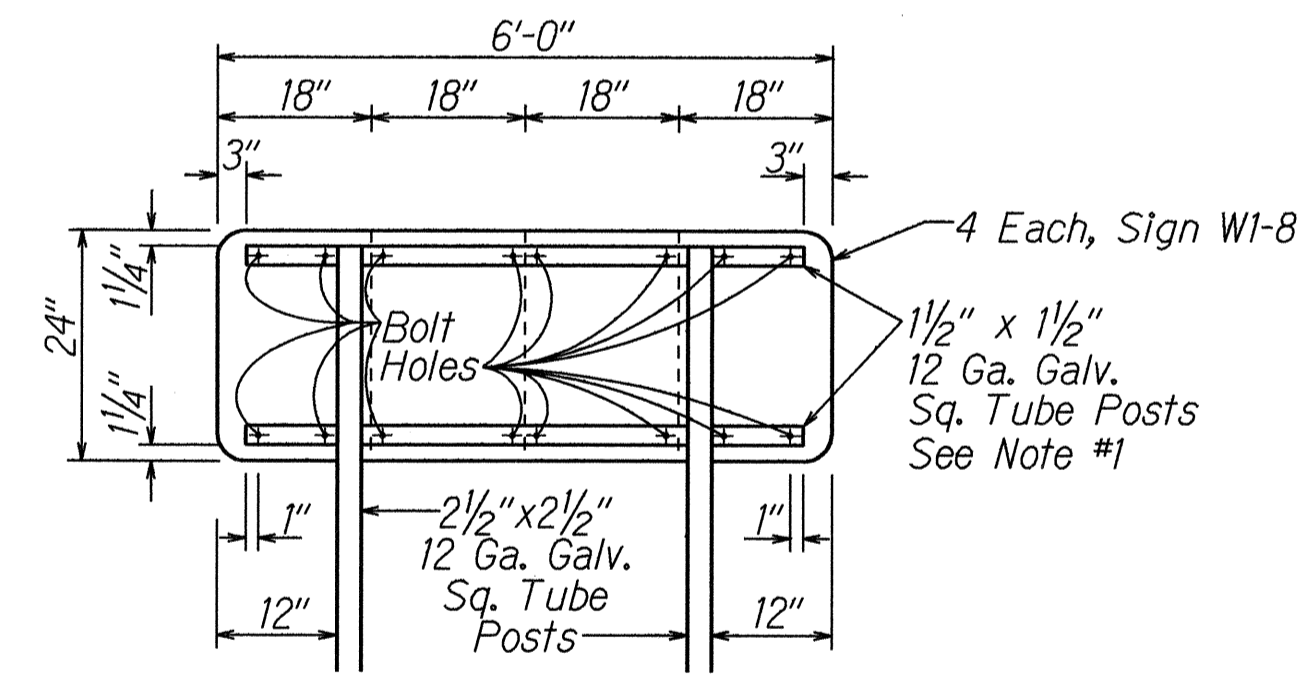
R16-1
Scale: 1/2"=1'-0"



STATE ROUTE MARKER (SRM)
Scale: 1/2"=1'-0"



R3-44
Not to Scale

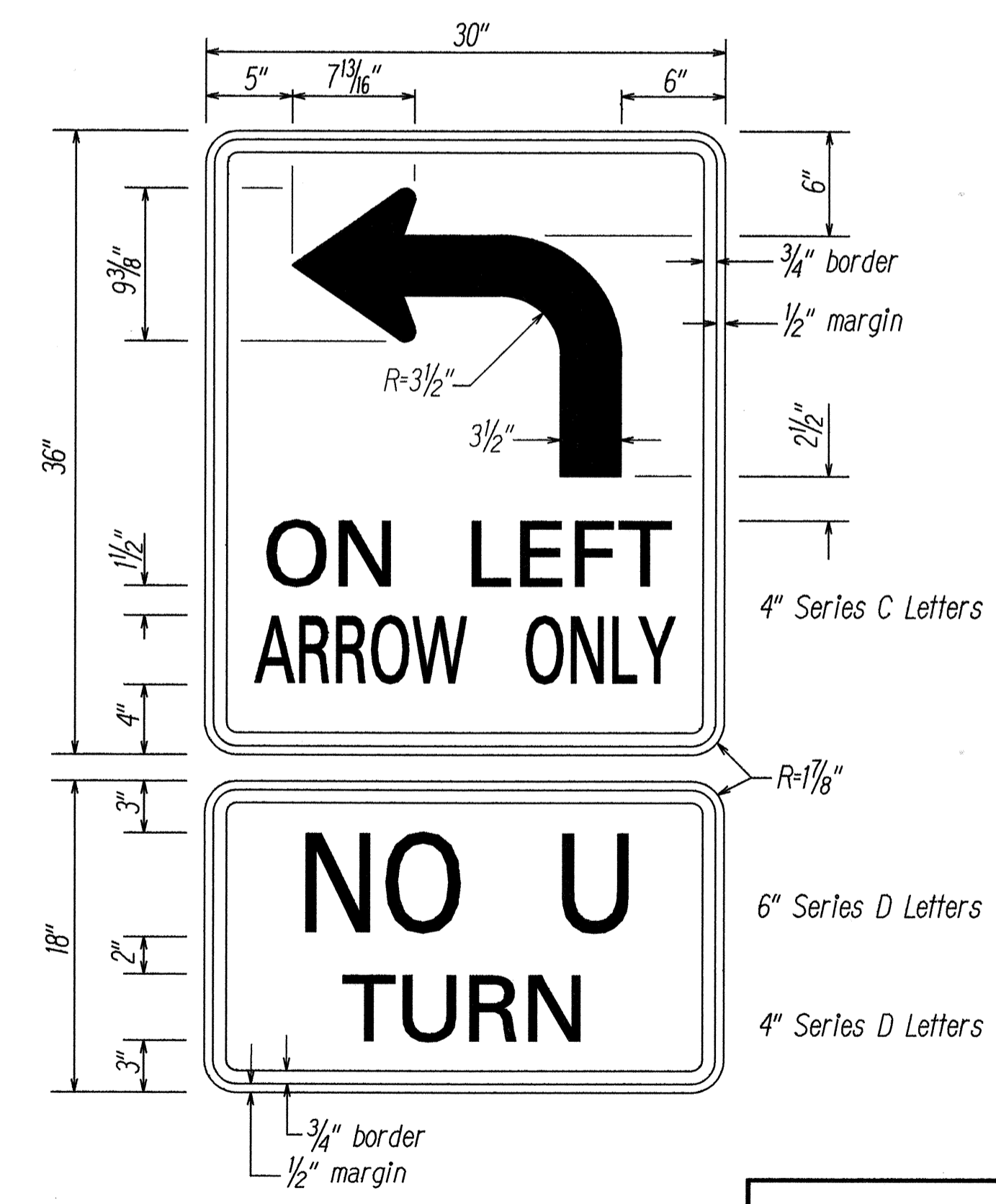


SIGN W1-8 FRAME LAYOUT

Not to Scale

NOTE:

1. SQ. TUBE POSTS SHALL BE AS SPECIFIED IN THE SPECIAL PROVISIONS.
2. SIGN PANEL SHALL BE ATTACHED TO SQ. TUBE POST WITH 5/16" Ø GALV. BOLT, NUT, LOCK WASHER & 1/8" x 0.06" STAINLESS STEEL FLAT WASHER WITH NEOPRENE RUBBER GASKET.



R17-3

SURVEY PLOTTED BY	DATE
DRAWN BY	
CHECKED BY	
NOTE BOOK	
QUANTITIES BY	
CHECKED BY	
No.	

STATE OF HAWAII
DEPARTMENT OF TRANSPORTATION
HIGHWAYS DIVISION

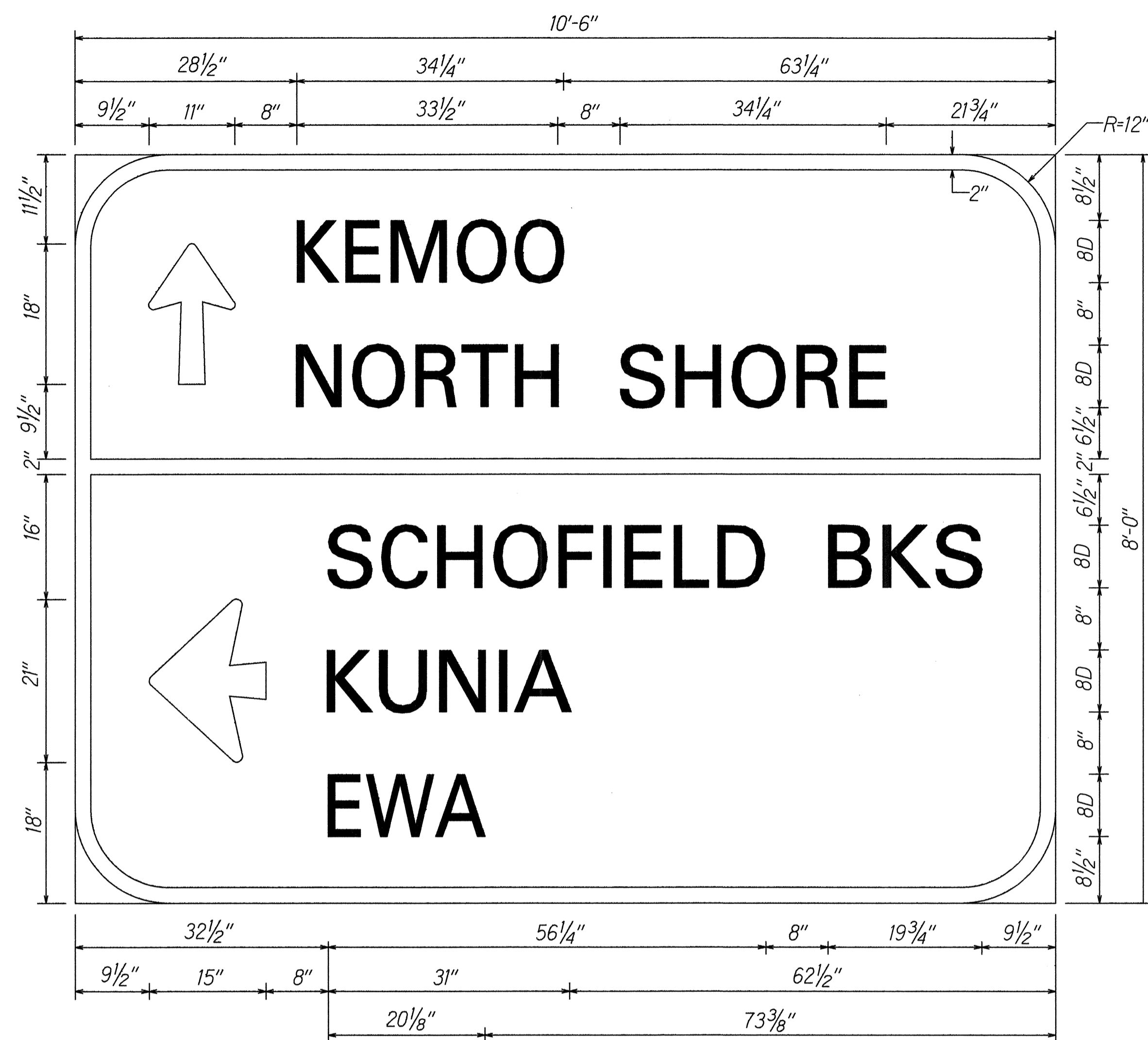
SIGN DETAILS & FRAME LAYOUT

KAMEHAMEHA HIGHWAY RESURFACING
Wilkinson Dr. & Kamananui Rd. Resurfacing
F. A. Project No. STP-0300(29)

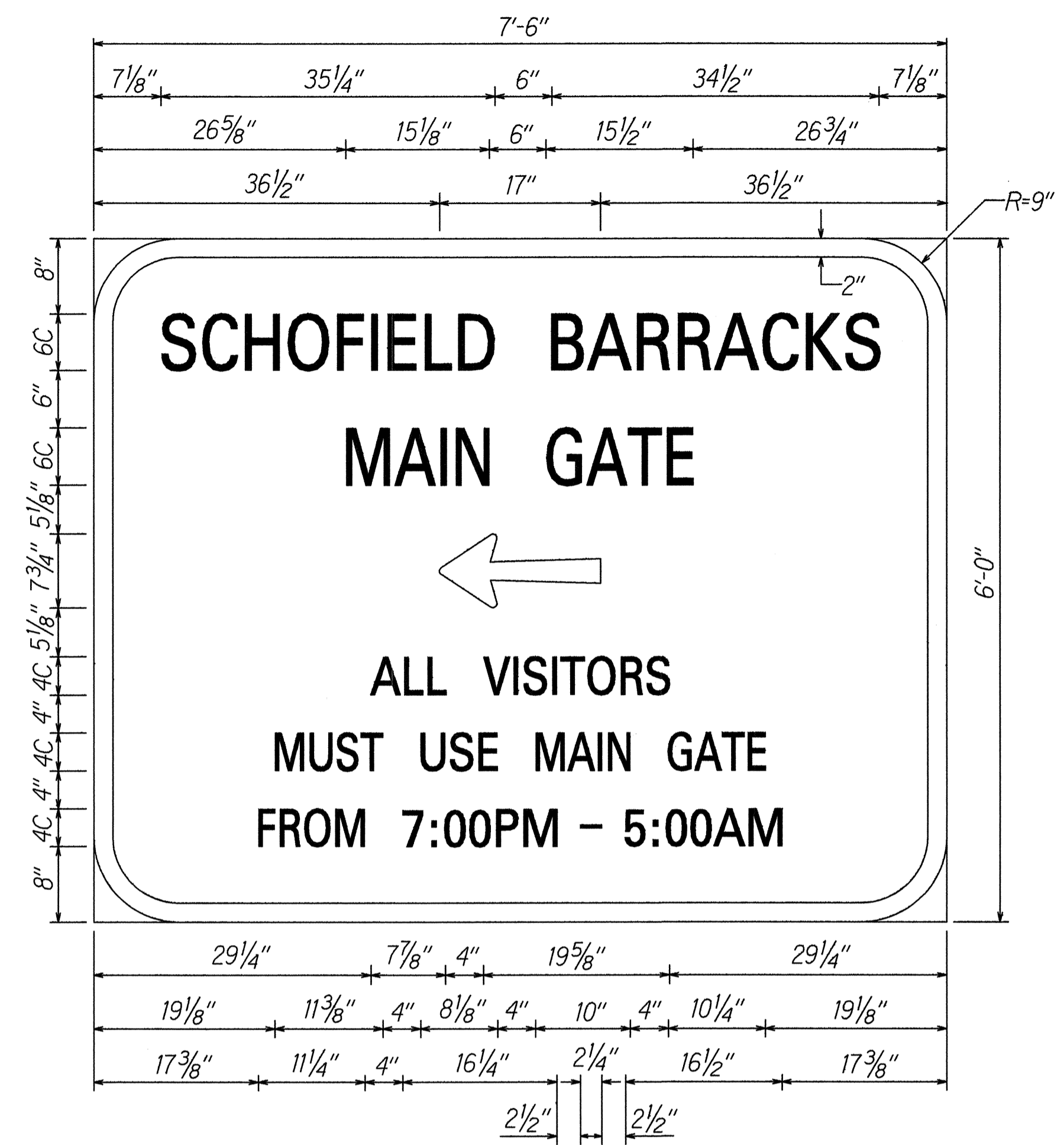
Scale: As Shown Date: April 1993

SHEET No. 118 OF 27 SHEETS

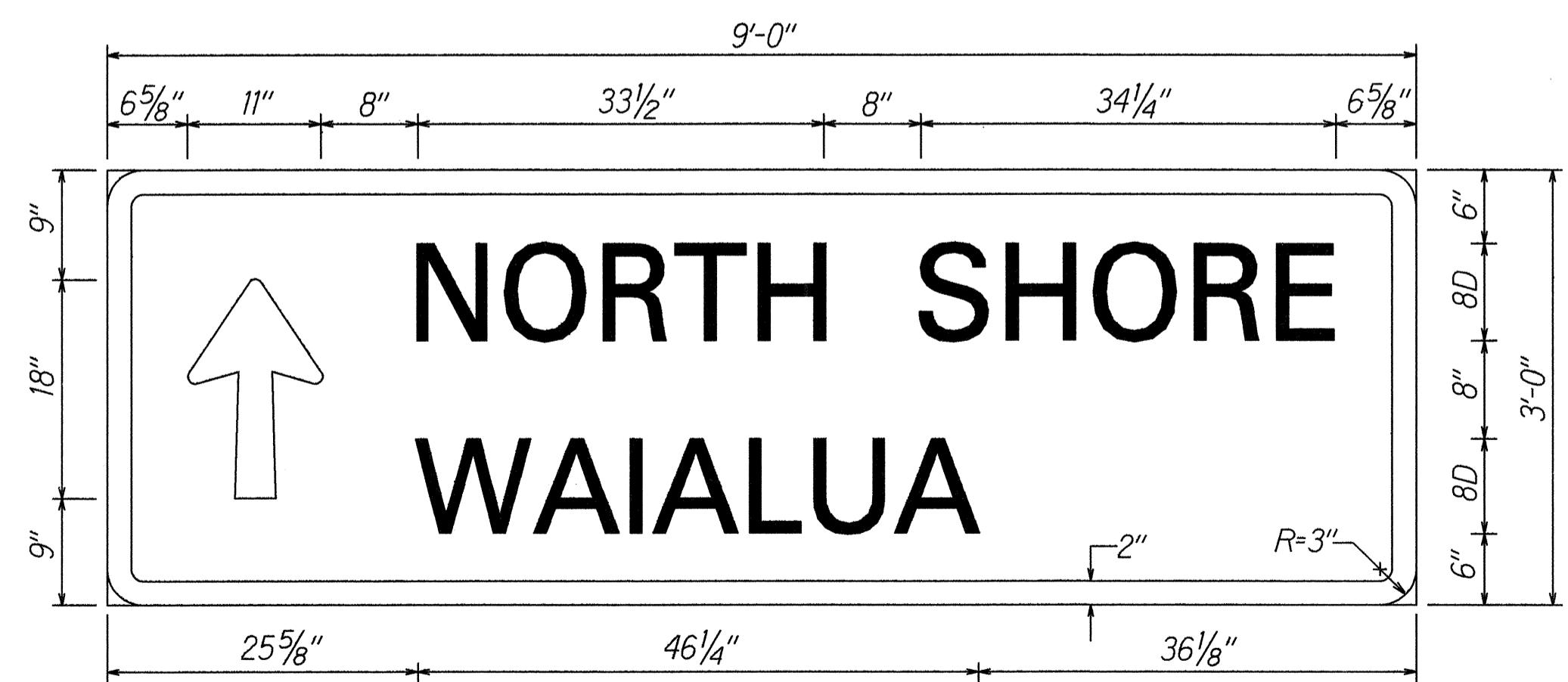
FED. ROAD DIST. NO.	STATE	FED. AID PROJ. NO.	FISCAL YEAR	SHEET NO.	TOTAL SHEETS
HAWAII	HAW.	STP-0300(29)	1993	41	49



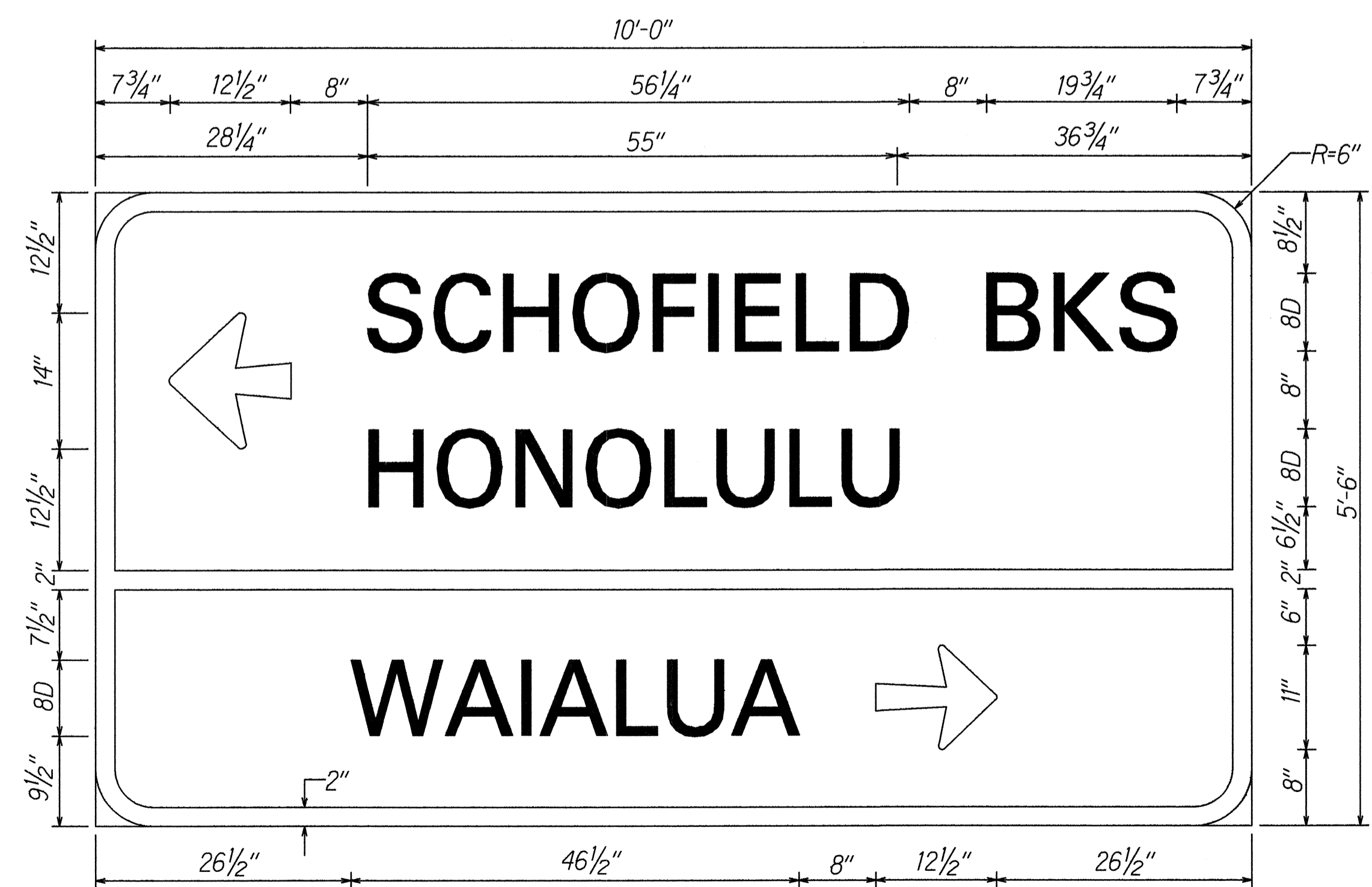
D-1



D-2 (L) & (R)



D-3



D-4

SURVEY PLOTTED BY	DATE
DRAWN BY	
DESIGNED BY	
QUANTITIES BY	
CHECKED BY	
ORIGINAL PLAN	
NOTE BOOK	
N.	

STATE OF HAWAII
DEPARTMENT OF TRANSPORTATION
HIGHWAYS DIVISION

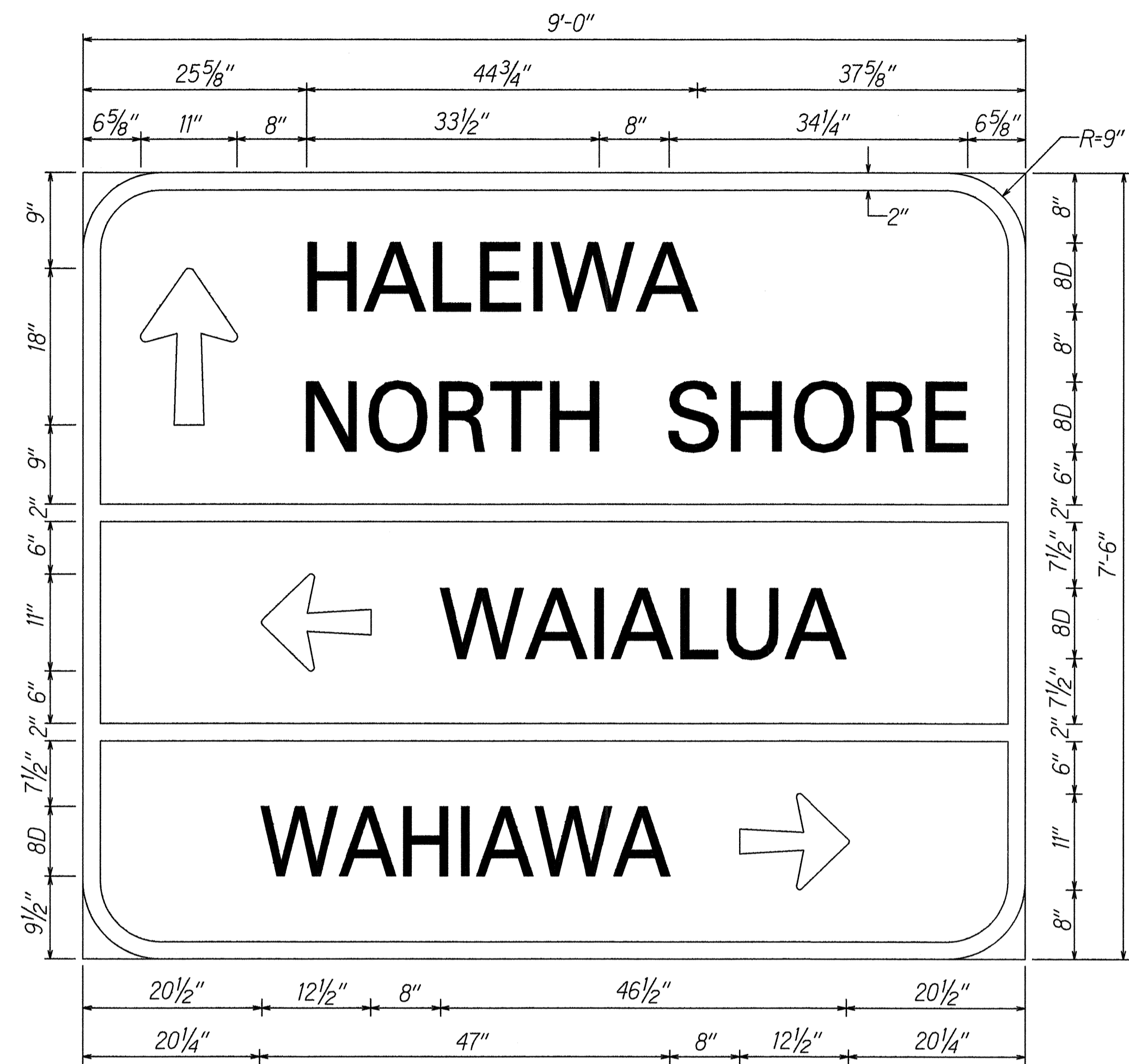
**DESTINATION
SIGN DETAILS**

KAMEHAMEHA HIGHWAY RESURFACING
Wiikina Dr. & Kamananui Rd. Resurfacing
F. A. Project No. STP-0300(29)

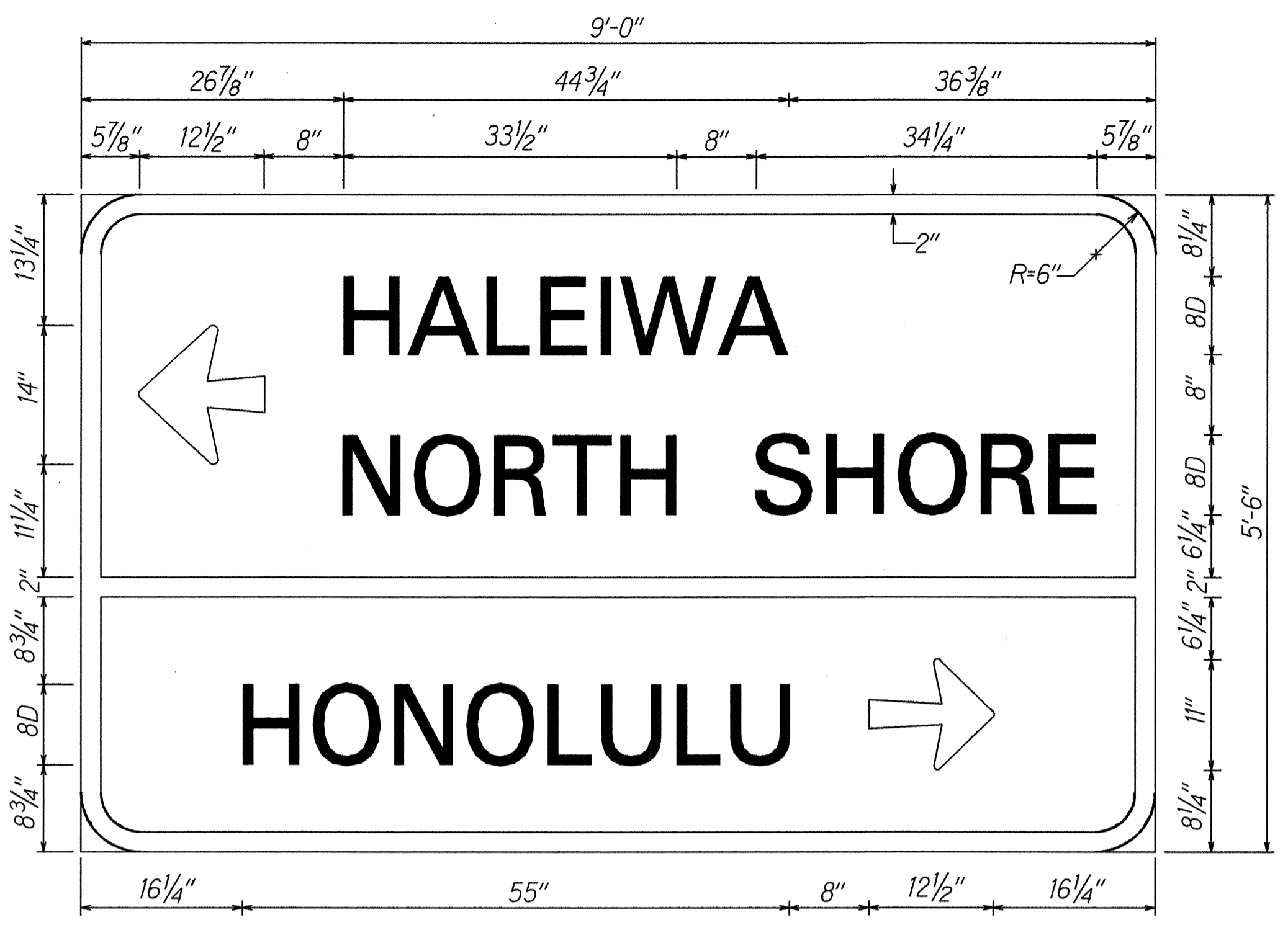
Scale: 1"=1'-0" Date: April 1993

SHEET No. T19 OF 27 SHEETS

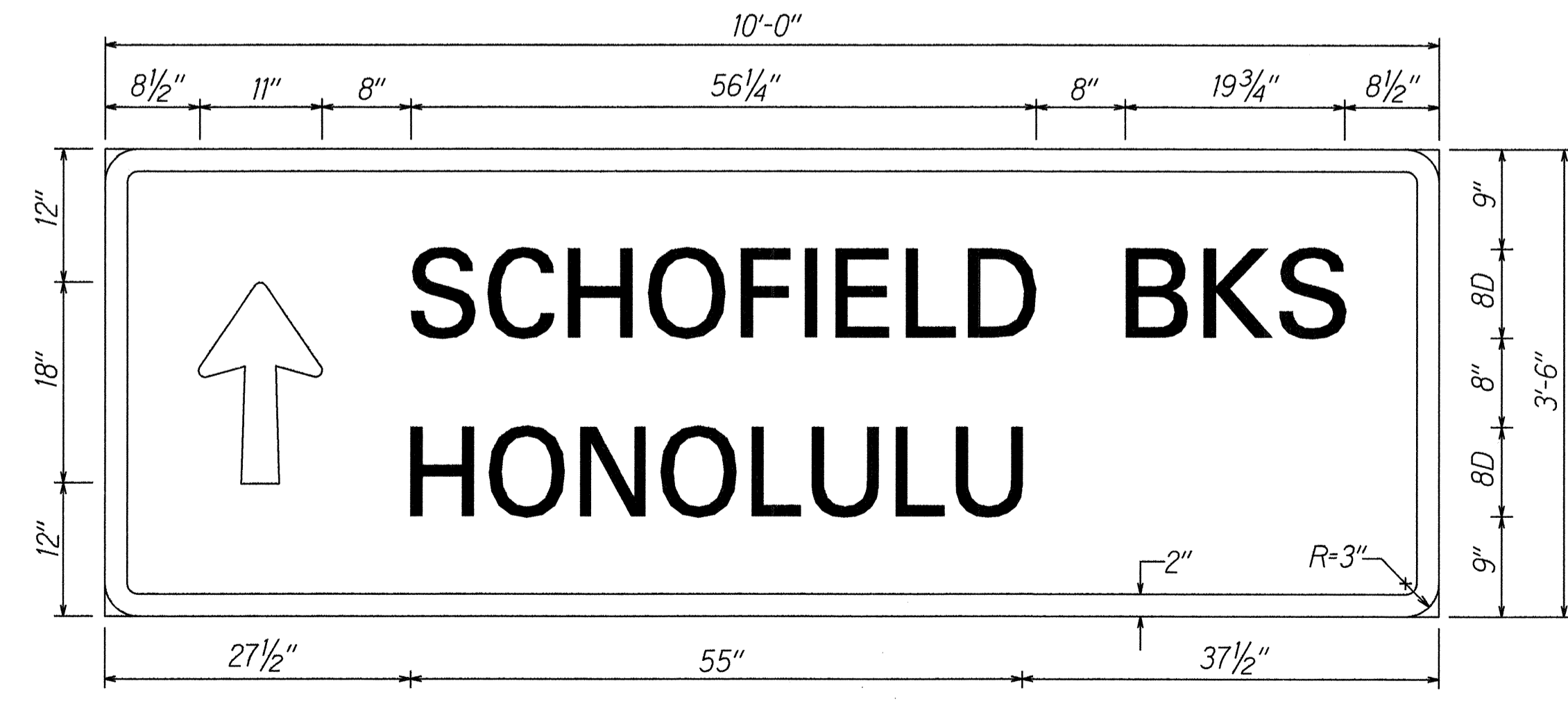
FED. ROAD DIST. NO.	STATE	FED. AID PROJ. NO.	FISCAL YEAR	SHEET NO.	TOTAL SHEETS
HAWAII	HAW.	STP-0300(29)	1993	42	49



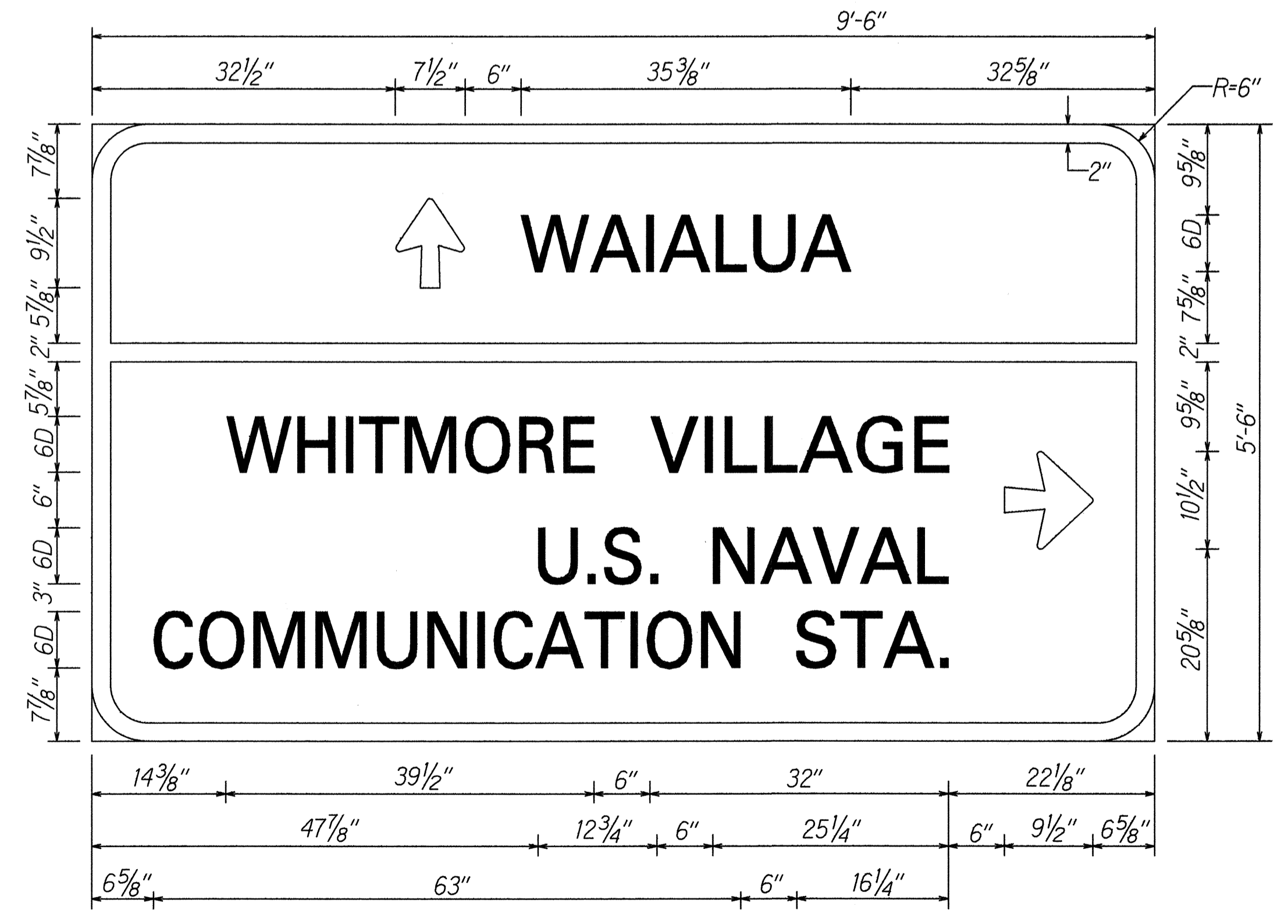
D-5



D-7



D-6

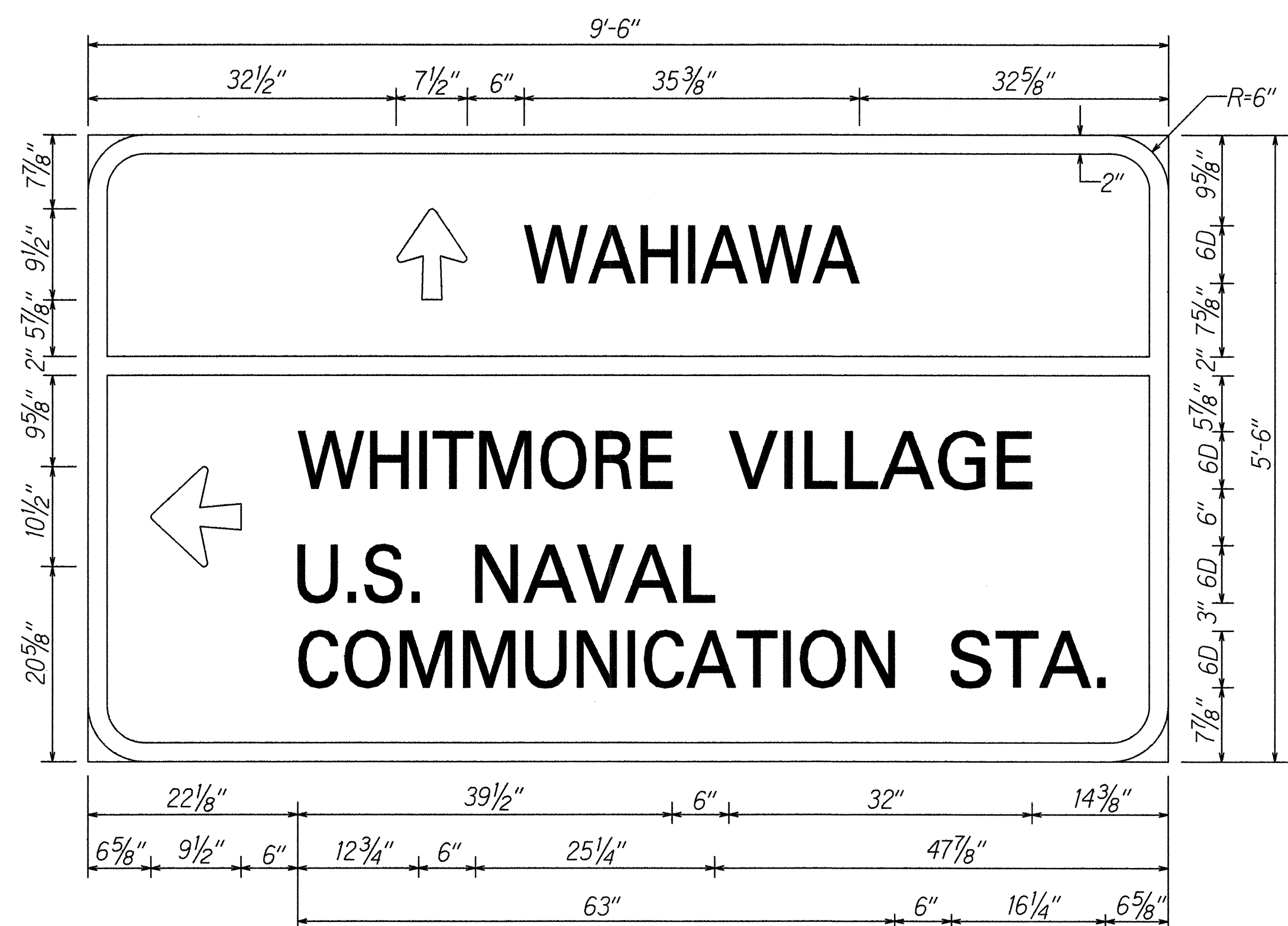


D-8

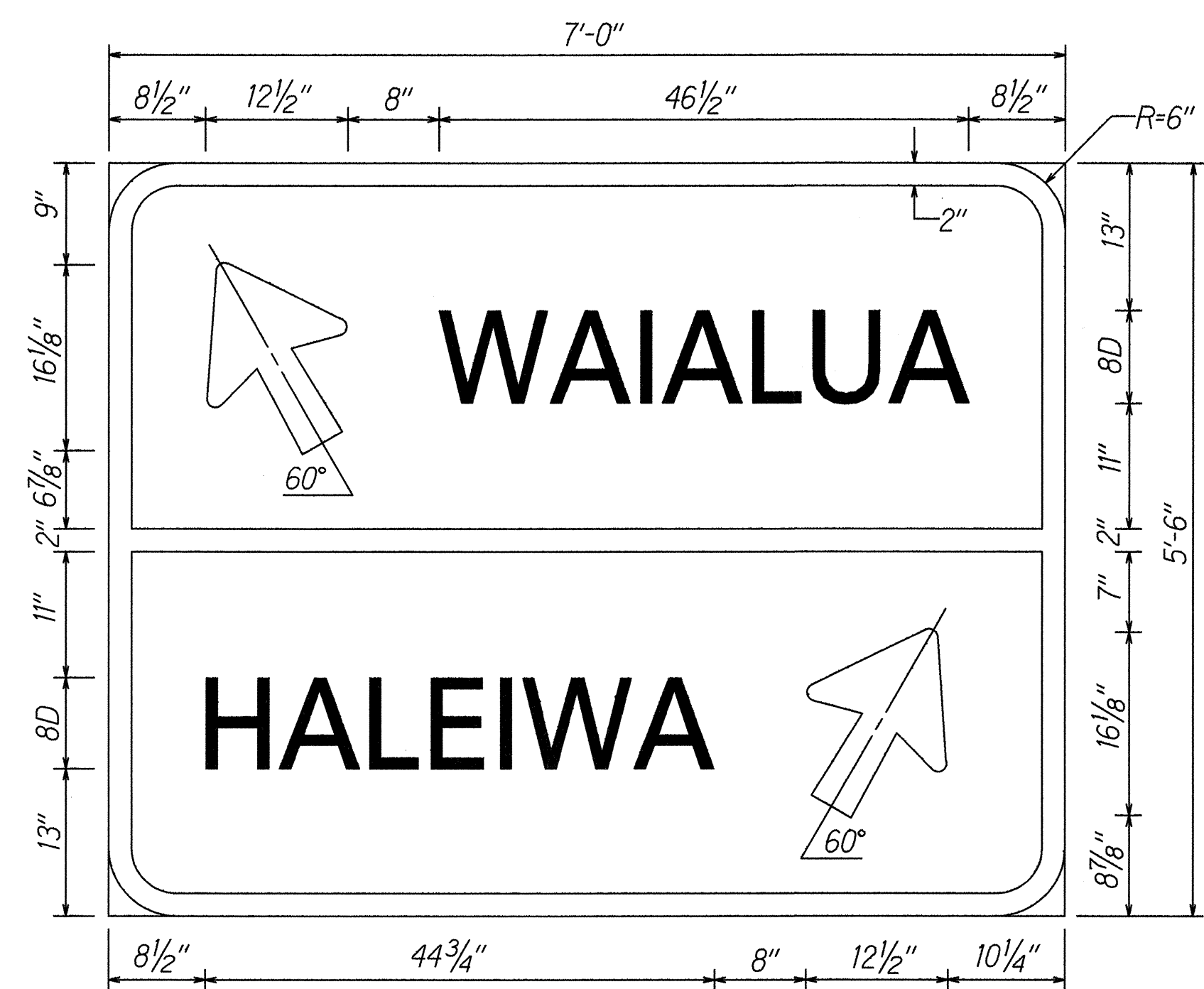
SURVEY PLOTTED BY _____ DATE _____
 ORIGINAL PLAN _____
 DRAWN BY _____
 TRACED BY _____
 NOTE BOOK _____
 QUANTITIES BY _____
 CHECKED BY _____
 N. _____

STATE OF HAWAII
 DEPARTMENT OF TRANSPORTATION
 HIGHWAYS DIVISION
DESTINATION SIGN DETAILS
 KAMEHAMEHA HIGHWAY RESURFACING
 Wilikina Dr. & Kamananui Rd. Resurfacing
 F. A. Project No. STP-0300(29)
 Scale: 1"=1'-0" Date: April 1993
 SHEET No. T20 OF 27 SHEETS

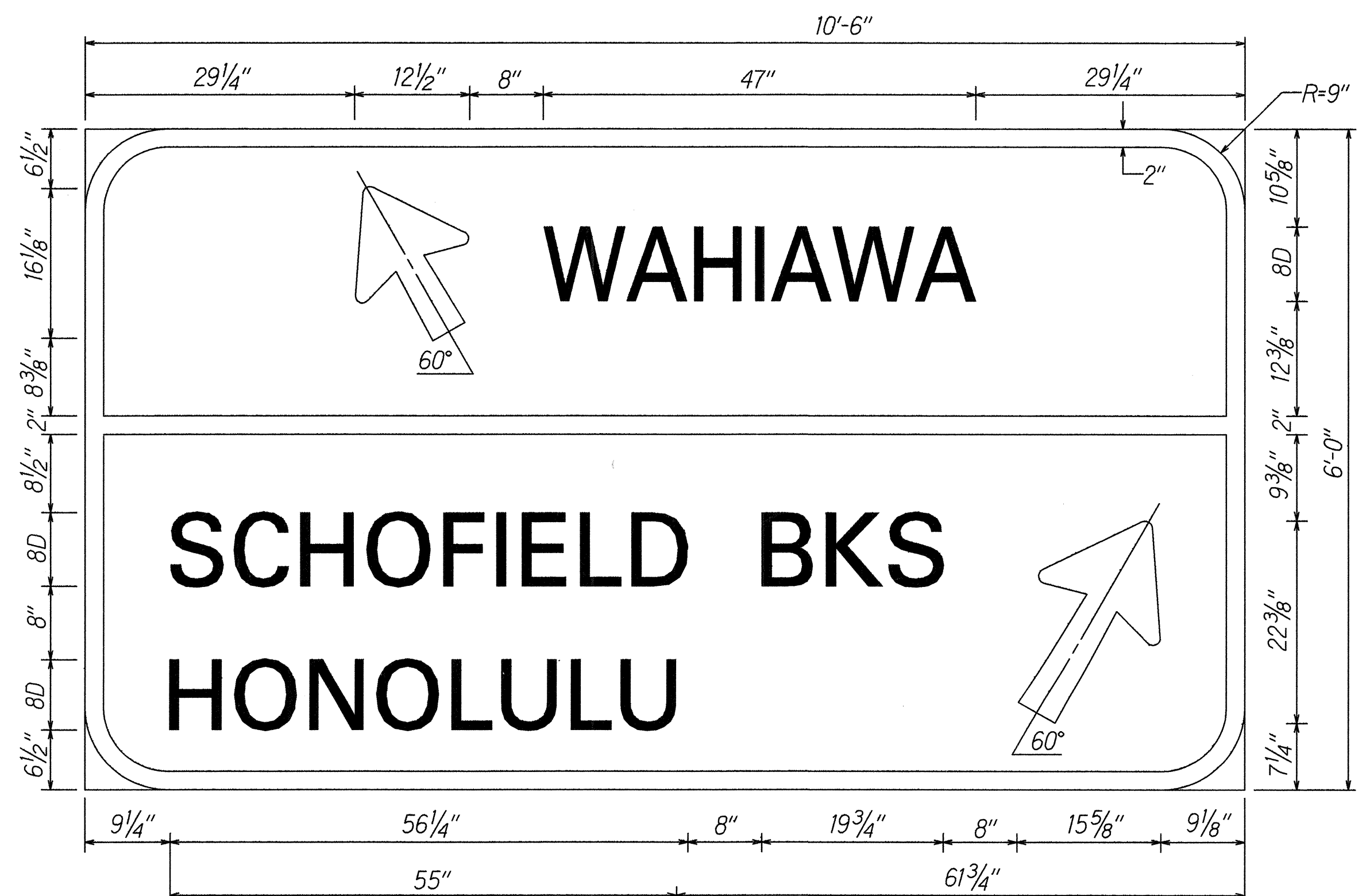
FED. ROAD DIST. NO.	STATE	FED. AID PROJ. NO.	FISCAL YEAR	SHEET NO.	TOTAL SHEETS
HAWAII	HAW.	STP-0300(29)	1993	43	49



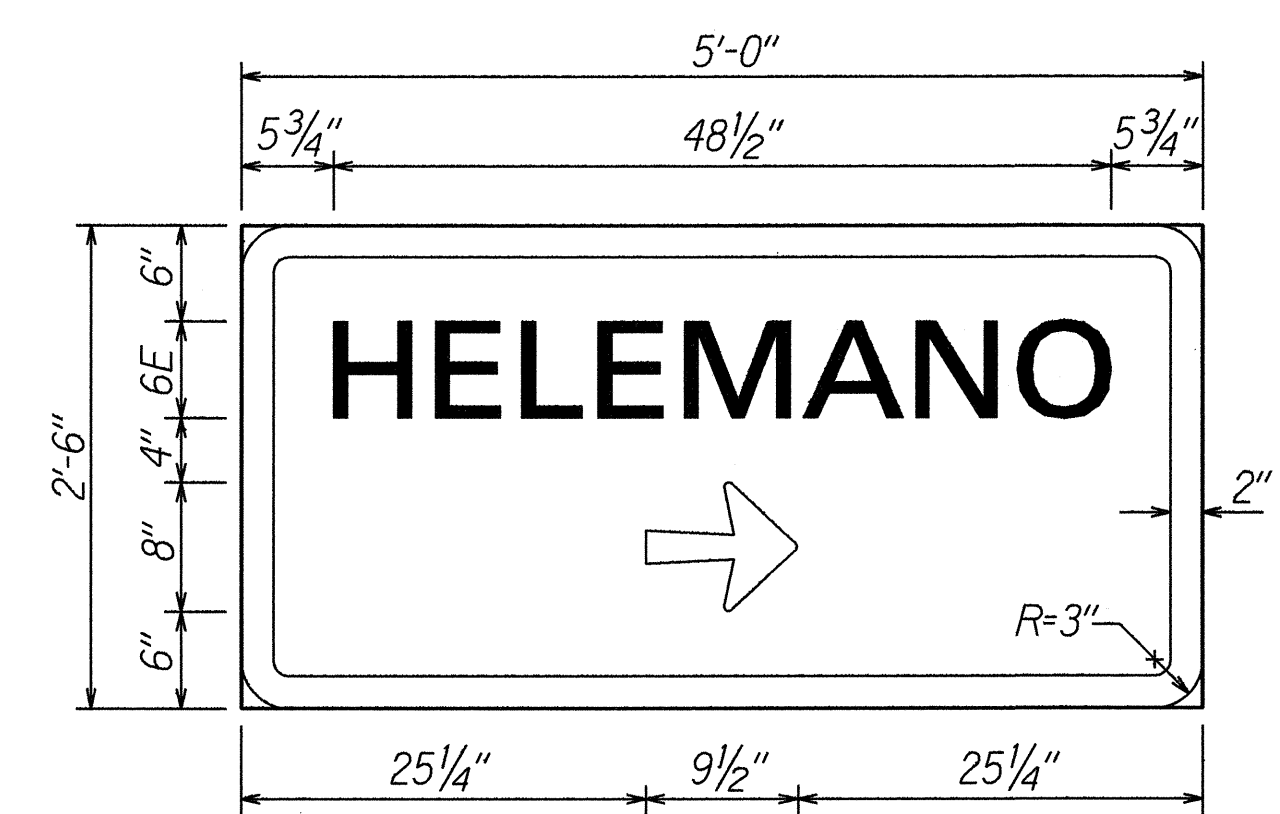
D-9



D-10



D-11



D-12

SURVEY PLOTTED BY	DATE
DRAWN BY	
TRACED BY	
QUANTITIES BY	
CHECKED BY	
ORIGINAL PLAN	
NOTE BOOK	
No.	

STATE OF HAWAII
DEPARTMENT OF TRANSPORTATION
HIGHWAYS DIVISION

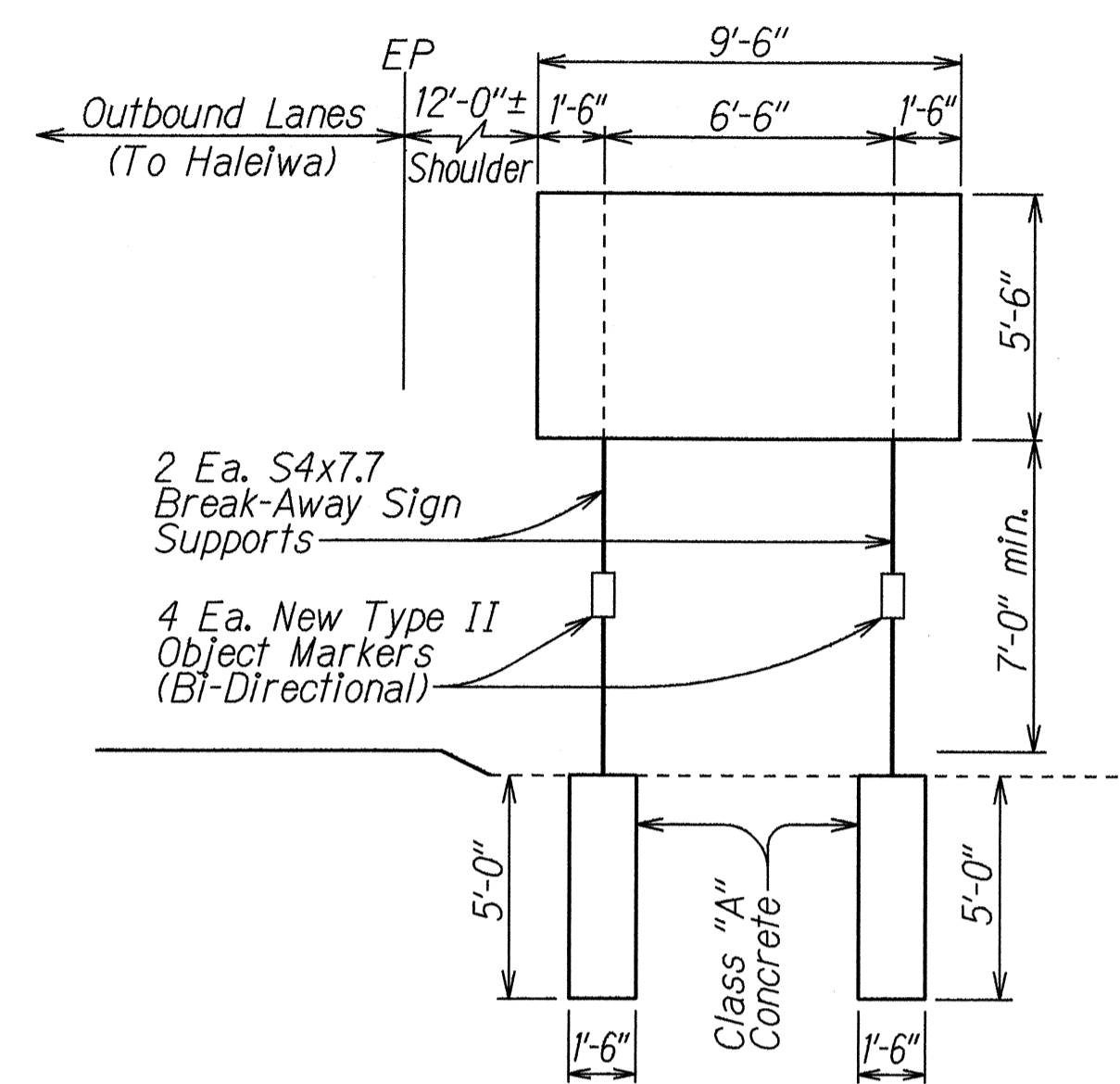
**DESTINATION
SIGN DETAILS**

KAMEHAMEHA HIGHWAY RESURFACING
Wiikina Dr. & Kamananui Rd. Resurfacing
F. A. Project No. STP-0300(29)

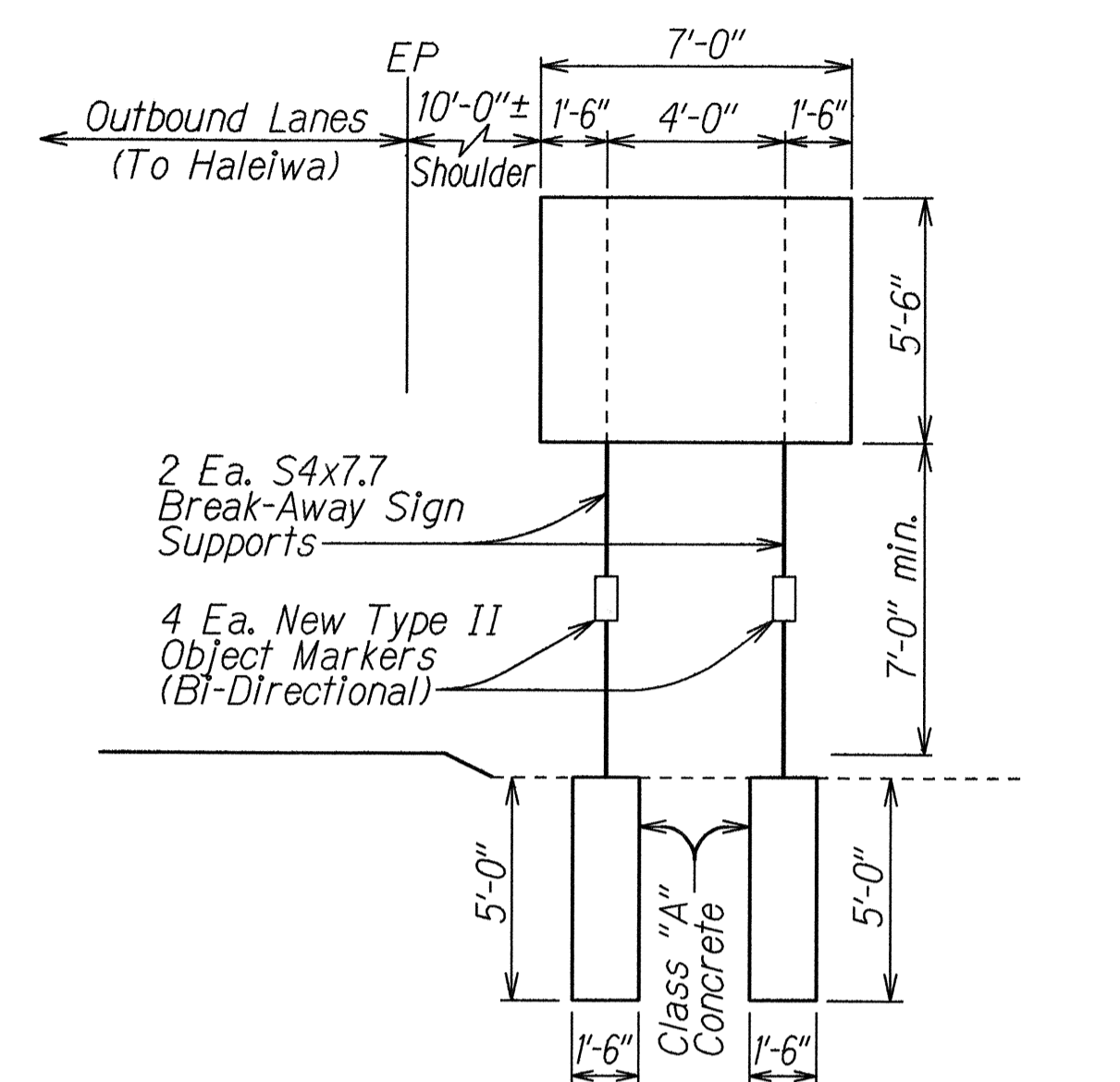
Scale: 1"=1'-0" Date: April 1993

SHEET No. T21 OF 27 SHEETS

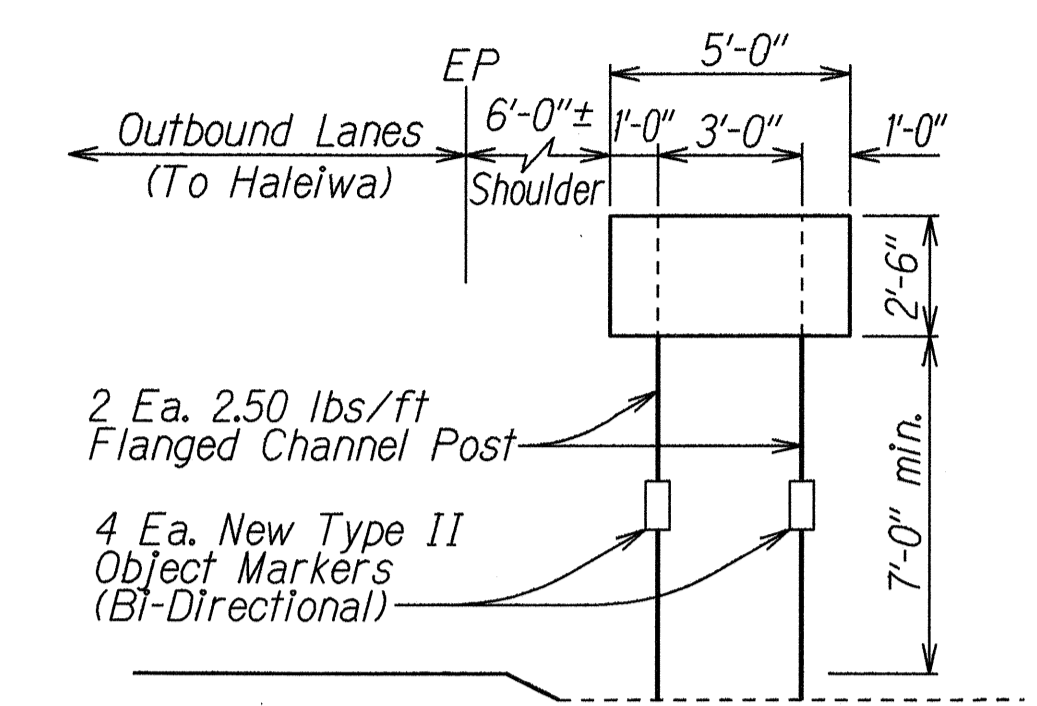
FED. ROAD DIST. NO.	STATE	FED. AID PROJ. NO.	FISCAL YEAR	SHEET NO.	TOTAL SHEETS
HAWAII	HAW.	STP-0300(29)	1993	45	49



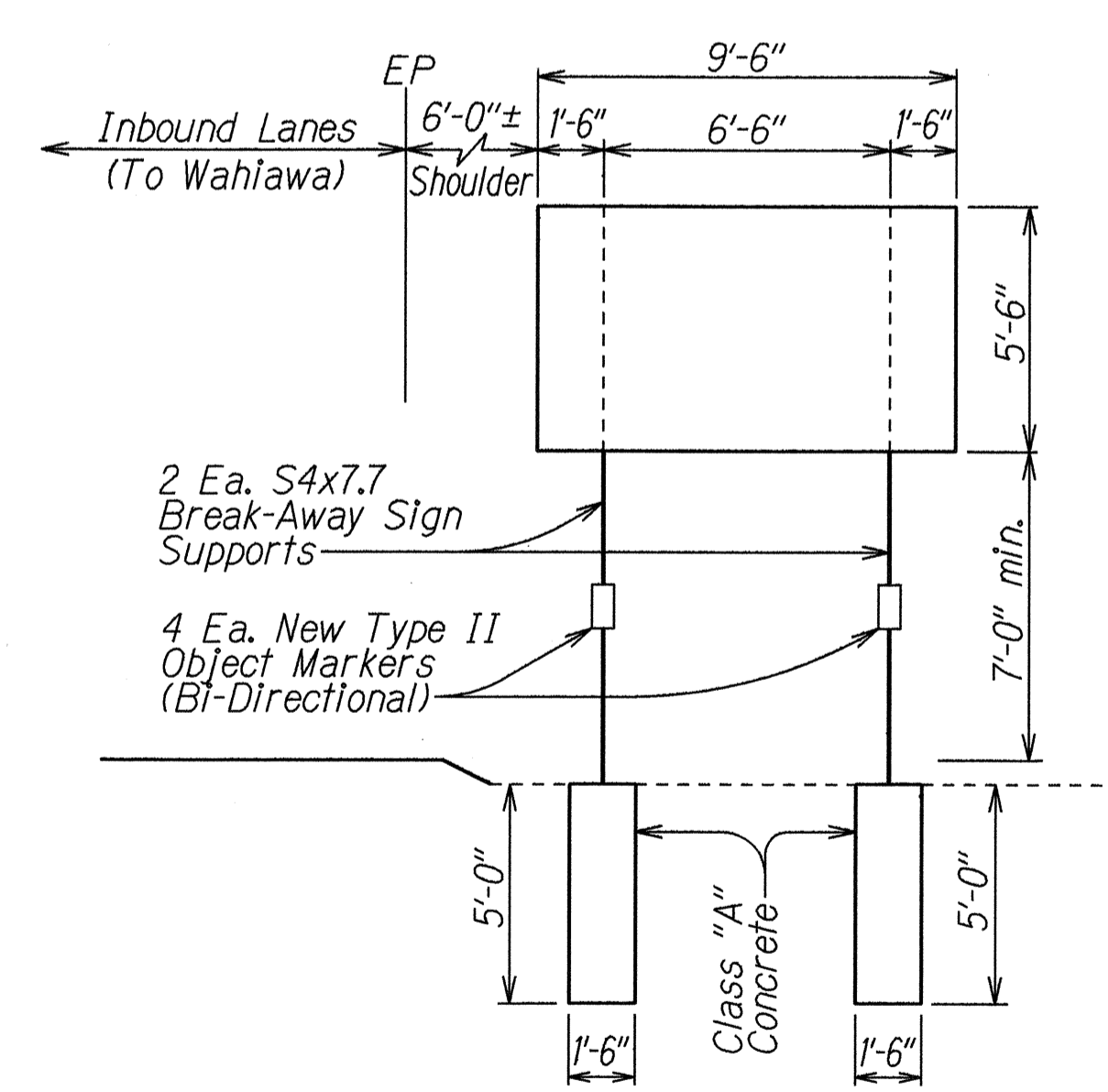
D-8
Scale: 1/4"=1'-0"
Sta. 122+00± Rt.



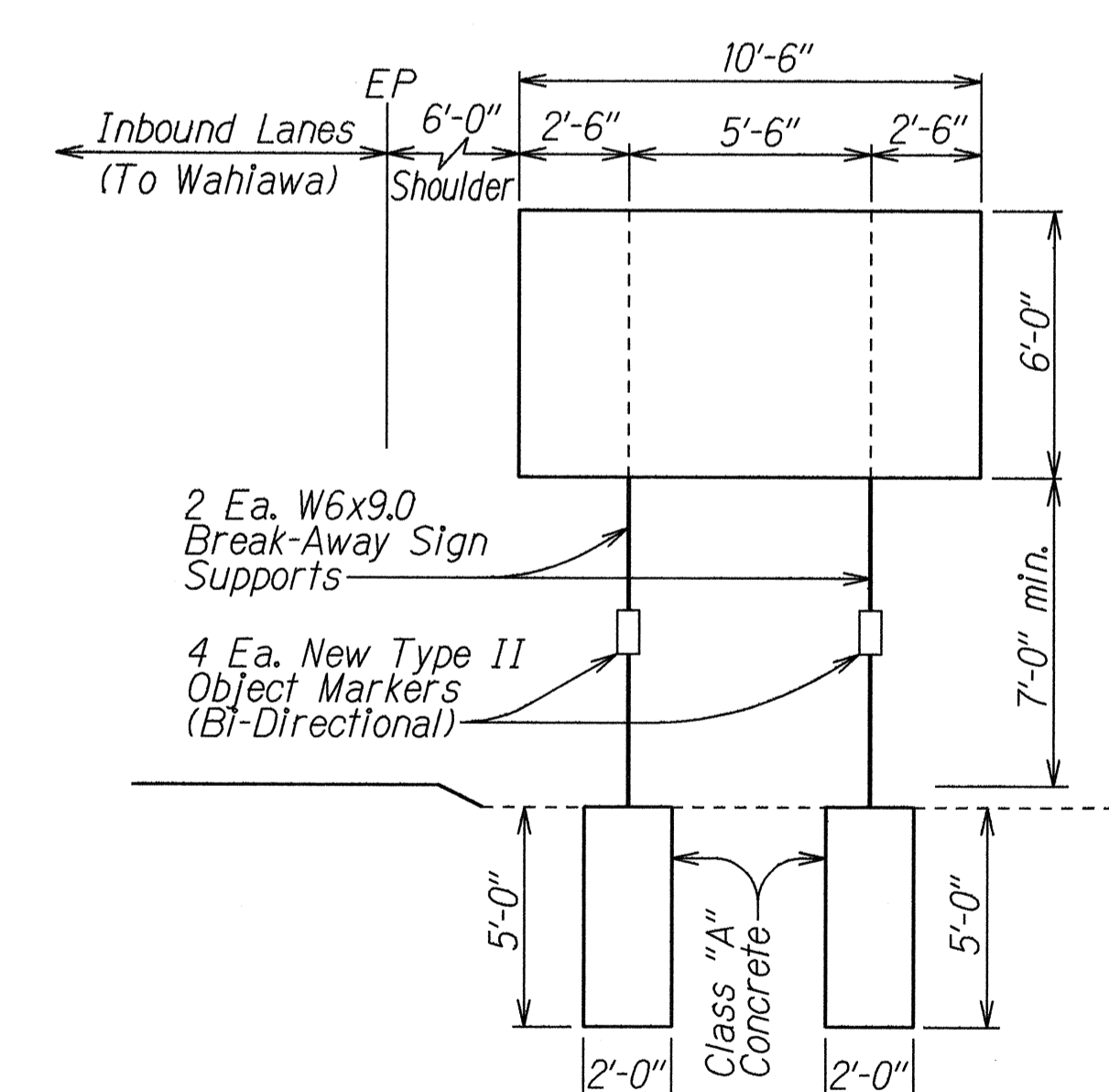
D-10
Scale: 1/4"=1'-0"
Sta. 151+00± Rt.



D-12
Scale: 1/4"=1'-0"
Sta. 93+00± Rt.



D-9
Scale: 1/4"=1'-0"
Sta. 133+00± Lt.



D-11
Scale: 1/4"=1'-0"
Sta. 22+00± Lt.

ORIGINAL PLAN	DATE
DRAWN BY	
DESIGNED BY	
QUANTITIES BY	
CHECKED BY	
N.	

STATE OF HAWAII
DEPARTMENT OF TRANSPORTATION
HIGHWAYS DIVISION

FRAME LAYOUT

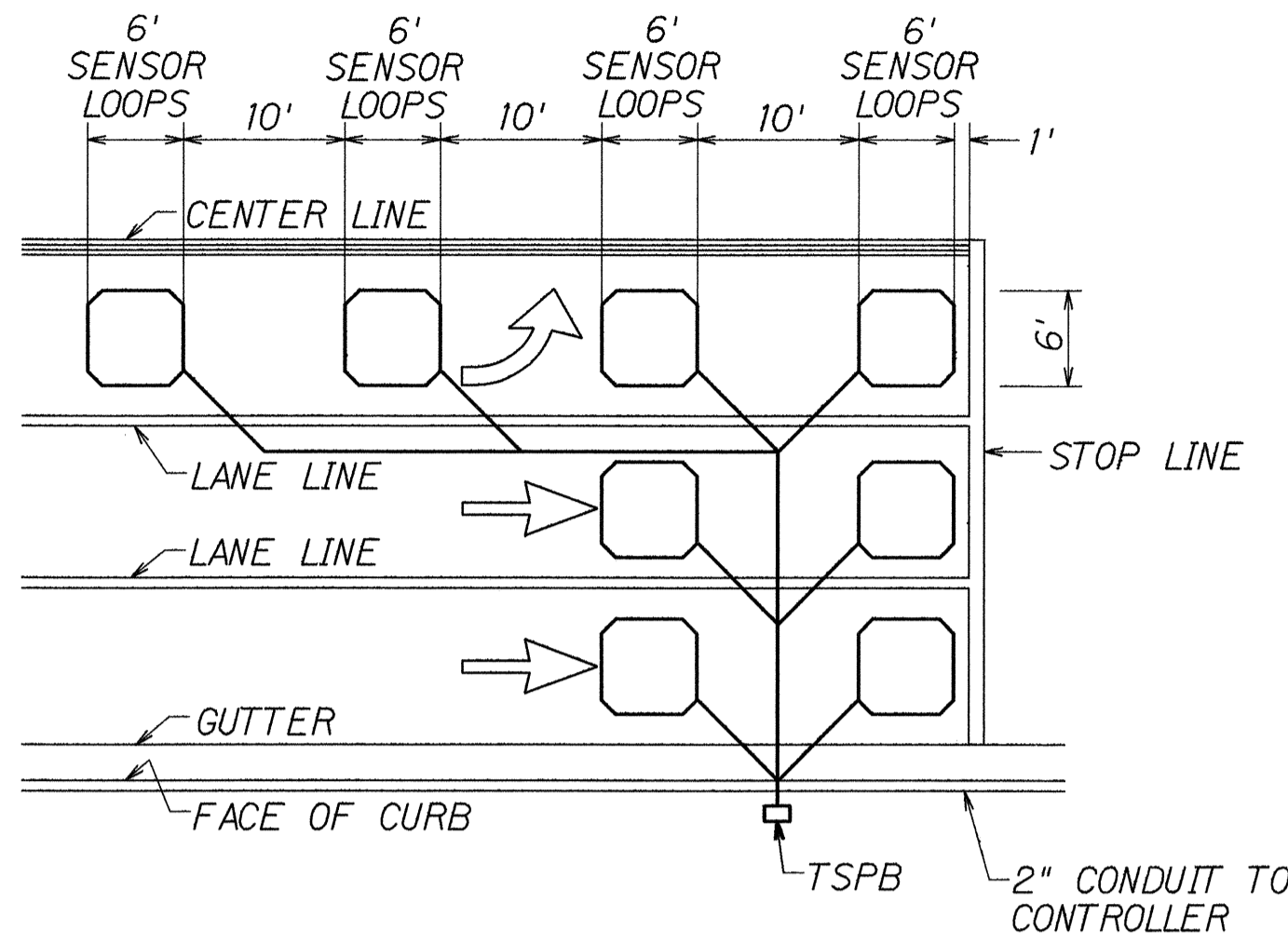
KAMEHAMEHA HIGHWAY RESURFACING
Wiikina Dr. & Kamananui Rd. Resurfacing

F. A. Project No. STP-0300(29)

Scale: 1/4"=1'-0" Date: April 1993

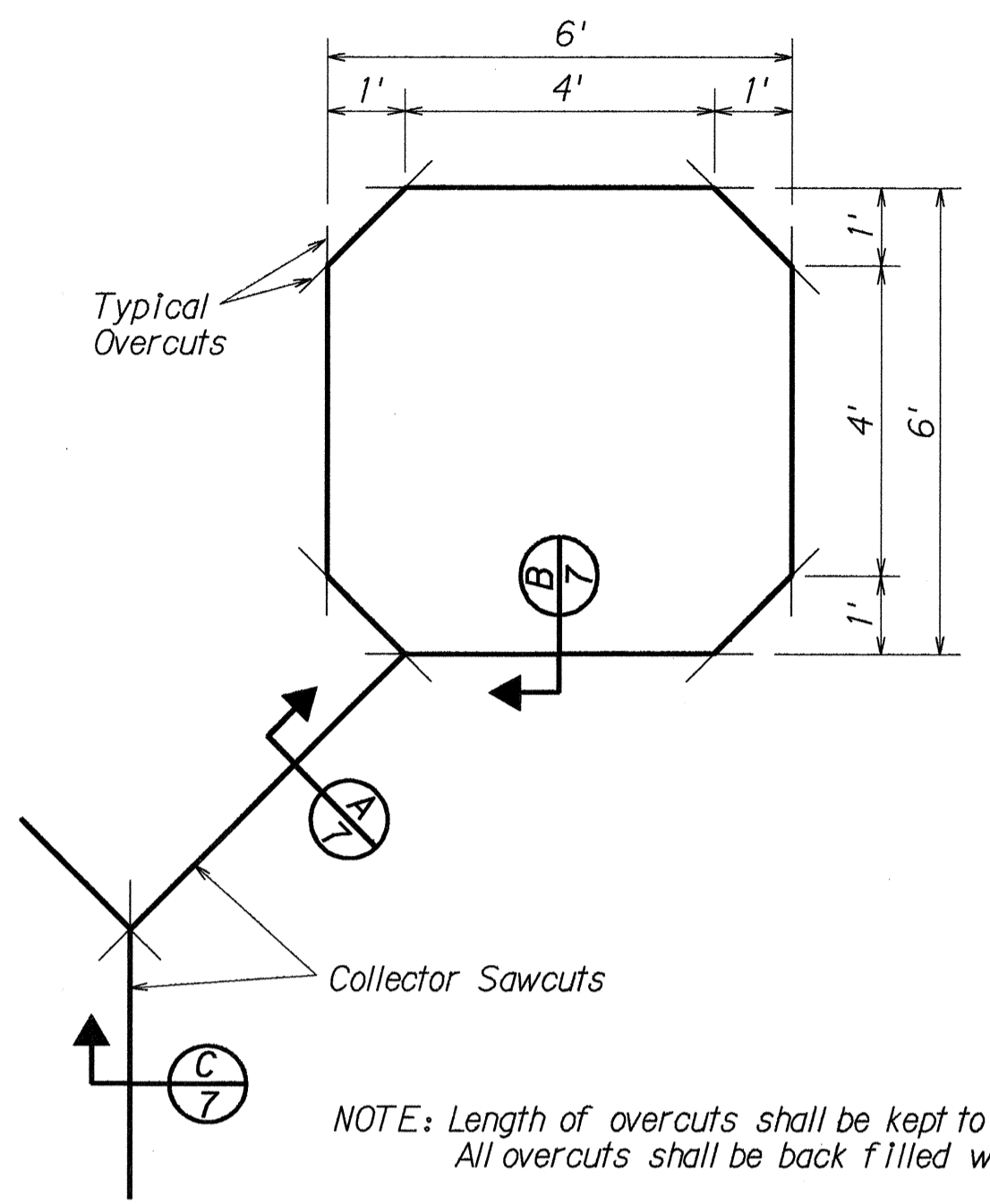
SHEET No. T23 OF 27 SHEETS

FED. ROAD DIST. NO.	STATE	FED. AID PROJ. NO.	FISCAL YEAR	SHEET NO.	TOTAL SHEETS
HAWAII	HAW.	STP-0300(29)	1993	46	49



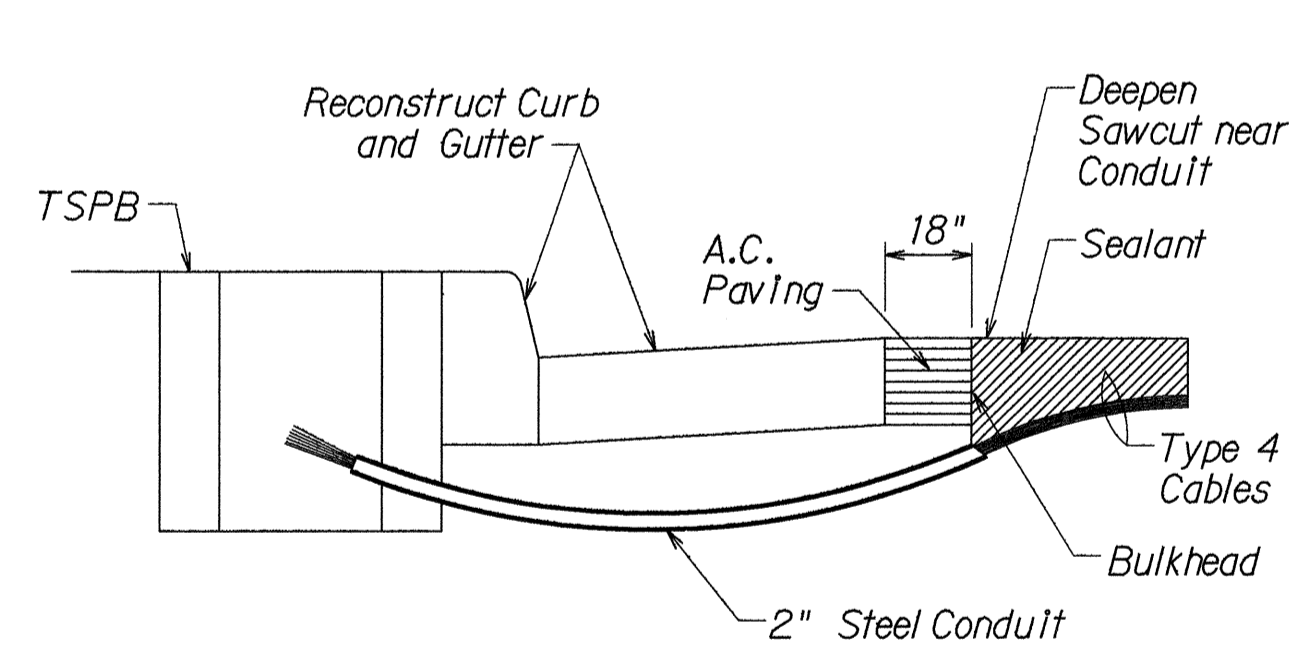
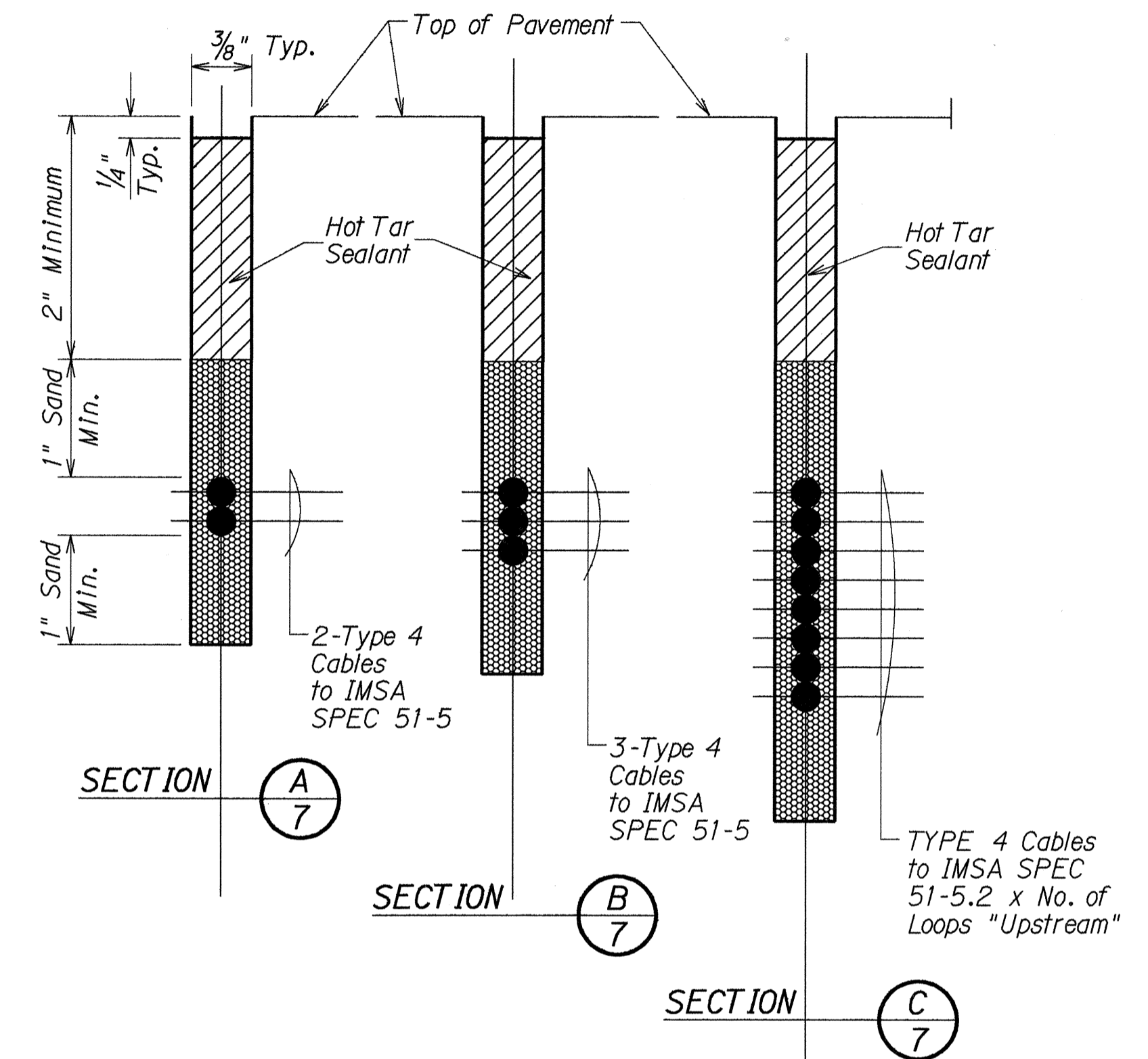
- NOTES:
- Center sensor loops in lanes.
 - Collector cables shall be twisted 2 turns per foot.
 - Number of loops and locations vary. See project plans.
 - Number and locations of collector sawcuts may be varied in the field to suit.

TYPICAL SENSOR LOOP LAYOUT



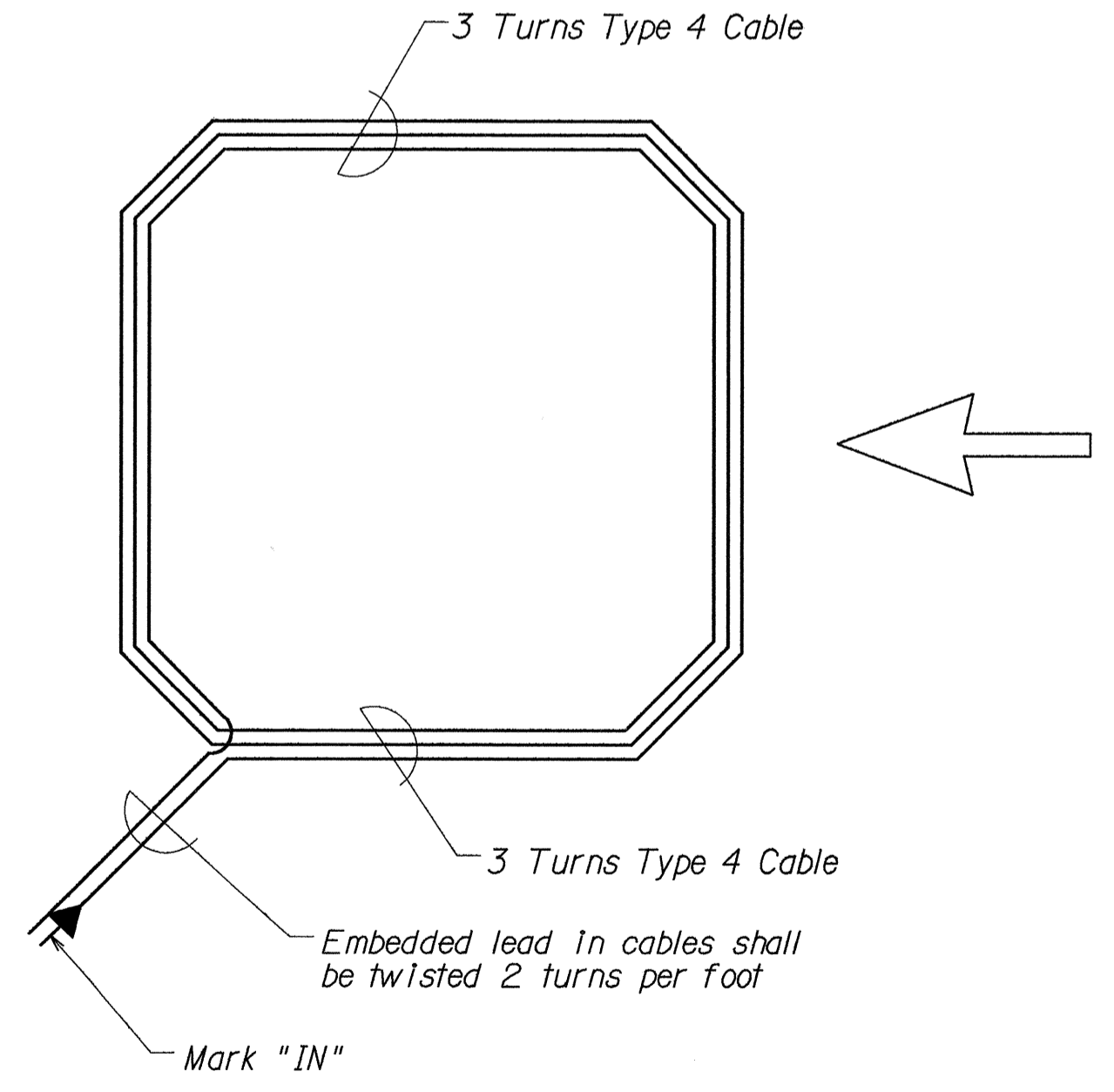
NOTE: Length of overcuts shall be kept to a minimum. All overcuts shall be back filled with hot tar.

TYPICAL SENSOR LOOP SAWCUT DETAIL



- NOTES ON CONSTRUCTION AT END OF SAWCUT
- Seal roadway end of conduit after installation of conductors.
 - Install bulkhead across conduit trench.
 - Place hot tar in sawcut.
 - Backfill over conduit with new A.C.
 - Reconstruct curb and gutter as required.

DETAIL OF SENSOR LOOP INSTALLATION AT EDGE OF ROADWAY



TYPICAL SENSOR LOOP WIRING DIAGRAM

TYPES OF CABLES

- TYPE 1 Signal Loop Cable: Stranded No. 14, 26 conductors
- TYPE 2 Detector Lead-In Cable and Pedestrian Push Button Circuit Cable: Stranded, No. 14, 2 Conductors
- TYPE 3 Interconnect Cable: Solid No. 20, 12 Pairs
- TYPE 4 Loop Sensor Cable: Solid No. 12, Single Conductor to IMSA SPEC 51-5
- TYPE 5 Cable from Signal Loop to Signal Head: Stranded, No. 14, Single Conductor
- TYPE 6 Service Cable: Solid, No. 6, 3 Conductors

SURVEY PLOTTED BY	DATE
DRAWN BY	
DESIGNED BY	
QUANTITIES BY	
CHECKED BY	
ORIGINAL PLAN	
NOTE BOOK	
No.	

STATE OF HAWAII
DEPARTMENT OF TRANSPORTATION
HIGHWAYS DIVISION

LOOP DETECTOR DETAILS

KAMEHAMEHA HIGHWAY RESURFACING
Waiikina Dr. & Kamanui Rd. Resurfacing
F. A. Project No. STP-0300(29)

Not to Scale Date: April 1993

SHEET No. T24 OF 27 SHEETS

TRAFFIC SIGN SUMMARY

SIGN NO.	MESSAGE	QUANTITY			
		10 SQ. FT. OR LESS		GREATER THAN 10 SQ. FT.	
		W/POST	W/O POST	W/POSTS	W/O POST
R1-1	STOP	13	1		
R1-2	YIELD	7			
R2-1(25)	SPEED LIMIT 25			8	
R2-1(35)	SPEED LIMIT 35			8	3
R2-1(45)	SPEED LIMIT 45			4	
R2-5(25)	REDUCED SPEED 25			5	
R2-5(35)	REDUCED SPEED 35			3	
R3-1			1		
R3-2			1		
R3-4		5	2		
R3-4b		1			
R3-44		2			
R4-7		6	1		
R4-8		1			
R5-1	DO NOT ENTER	1	1		
R5-1a	WRONG WAY		1		
R6-1(R)		1	4		
R6-1(L)			3		
R7-107a	TheBus	12	2		
R7-108b	2HR PARKING 7:00AM - 6:00PM	2			
R7-201a			28		
R8-3a *	ANYTIME	6	22		
R9-3a			2		
R9-3b(R)	USE CROSSWALK		1		
R9-3b(L)	USE CROSSWALK		1		
R11-1	KEEP OFF MEDIAN	1	1		
R15-1	UNLAWFUL TO LITTER \$500 FINE	3	1		
R16-1	BUCKLE UP IT'S THE LAW	5			
R16-7	U TURN OK		1		
R17-3	ON LEFT ARROW ONLY NO U TURN		4		
S1-1		2	2		
S2-1		2	1		
W1-2(R)		1	1		
W1-2(L)		1			
W1-8		8			
W2-1		2			
W2-3(R)		1			
W2-4		1	2		
W3-1a		2			
W3-3		2	1		
W3-4	STOP AHEAD WHEN FLASHING				1
W4-2(R)		2			
W6-1			1		
W6-2			1		
W8-5			2		
W8-6	TRUCK CROSSING	2			
W11-2		6	2		
W11A-2		6	2		
W13-1(35)	35 M.P.H.		2		
TOTAL		104	95	28	4

DATE: _____
 SURVEY PLOTTED BY: _____
 ORIGINAL PLAN: _____
 DESIGNED BY: _____
 NOTE BOOK: _____
 QUANTITIES BY: _____
 CHECKED BY: _____
 No. _____

FED. ROAD DIST. NO.	STATE	FED. AID PROJ. NO.	FISCAL YEAR	SHEET NO.	TOTAL SHEETS
HAWAII	HAW.	STP-0300(29)	1993	47	49

PAVEMENT MARKING SUMMARY

DESCRIPTION	QUANTITY
PAVEMENT MARKERS	
TYPE A _____	1,364 Ea.
TYPE C _____	2,316 Ea.
TYPE D _____	807 Ea.
TYPE H _____	691 Ea.
TYPE J _____	864 Ea.
TAPE - TYPE I OR THERMOPLASTIC EXTRUSION	
4-INCH PAVEMENT STRIPE (WHITE) _____	915 L.F.
8-INCH PAVEMENT STRIPE (WHITE) _____	1,470 L.F.
DOUBLE 4-INCH PAVEMENT STRIPE (YELLOW) _____	12,340 L.F.
PAVEMENT WORD _____	24 Ea.
TAPE - TYPE II OR THERMOPLASTIC EXTRUSION	
4-INCH PAVEMENT STRIPE (WHITE) _____	49,700 L.F.
4-INCH PAVEMENT STRIPE (YELLOW) _____	15,060 L.F.
8-INCH PAVEMENT STRIPE (WHITE) _____	18,680 L.F.
12-INCH PAVEMENT STRIPE (WHITE) _____	1,245 L.F.
12-INCH PAVEMENT STRIPE (YELLOW) _____	500 L.F.
DOUBLE 4-INCH PAVEMENT STRIPE (YELLOW) _____	5,900 L.F.
TAPE - TYPE III OR THERMOPLASTIC EXTRUSION	
4-INCH PAVEMENT STRIPE (WHITE) _____	5,030 L.F.
4-INCH PAVEMENT STRIPE (YELLOW) _____	1,220 L.F.
12-INCH PAVEMENT STRIPE (WHITE) _____	1,060 L.F.
CROSSWALK MARKINGS _____	59 LANES
PAVEMENT ARROW _____	25 Ea.
THERMOPLASTIC EXTRUSION	
4 - INCH PAVEMENT STRIPE (WHITE) _____	1,040 L.F.
8 - INCH PAVEMENT STRIPE (WHITE) _____	425 L.F.
PARALLEL PARKING STALL MARKING - TWO STALL _____	1 Ea.
PARALLEL PARKING STALL MARKING - EIGHT STALL _____	1 Ea.
PAINT A.C. CURB	
A.C. CURB (WHITE) _____	1,010 L.F.
A.C. CURB (YELLOW) _____	1,540 L.F.

CONSTRUCTION SIGN SUMMARY

SIGN NO.	MESSAGE	W/POSTS	W/O POST
CG20-2	END CONSTRUCTION	6	2
CW20-1d	ROAD CONSTRUCTION AHEAD	7	1
TOTAL		13	3

6/7/93 | Revise Traffic Summaries
 DATE | REVISION

STATE OF HAWAII
 DEPARTMENT OF TRANSPORTATION
 HIGHWAYS DIVISION
TRAFFIC SUMMARIES
 KAMEHAMEHA HIGHWAY RESURFACING
 Waiikina Dr. & Kamanui Rd. Resurfacing
 F. A. Project No. STP-0300(29)
 Date: April 1993

* Supplementary Sign, , shall not be paid for separately but considered incidental to various signing items.

FED. ROAD DIST. NO.	STATE	FED. AID PROJ. NO.	FISCAL YEAR	SHEET NO.	TOTAL SHEETS
HAWAII	HAW.	STP-0300(29)	1993	48	49

DESTINATION SIGN SUMMARY

SIGN NO.	MESSAGE	SIZE	NEW PANEL AREA (SQ. FT.) W/POST
D-1	↑ KEMOO NORTH SHORE ← SCHOFIELD BKS KUNIA EWA	10'-6" x 8'-0"	84.0
D-2(L)	SCHOFIELD BARRACKS MAIN GATE ← ALL VISITORS MUST USE MAIN GATE FROM 7:00PM - 5:00AM	7'-6" x 6'-0"	45.0
D-2(R)	SCHOFIELD BARRACKS MAIN GATE → ALL VISITORS MUST USE MAIN GATE FROM 7:00PM - 5:00AM	7'-6" x 6'-0"	45.0
D-3	↑ NORTH SHORE WAIALUA	9'-0" x 3'-0"	27.0
D-4	← SCHOFIELD BKS HONOLULU WAIALUA →	10'-0" x 5'-6"	55.0
D-5	↑ HALEIWA NORTH SHORE ← WAIALUA WAHIWA →	9'-0" x 7'-6"	67.50
D-6	↑ SCHOFIELD BKS HONOLULU	10'-0" x 3'-6"	35.0
D-7	← HALEIWA NORTH SHORE HONOLULU →	9'-0" x 5'-6"	49.50
D-8	↑ WAIALUA WHITMORE VILLAGE U.S. NAVAL COMMUNICATION STA. →	9'-6" x 5'-6"	52.25
D-9	↑ WAHIWA ← WHITMORE VILLAGE U.S. NAVAL COMMUNICATION STA.	9'-6" x 5'-6"	52.25
D-10	← WAIALUA HALEIWA →	7'-0" x 5'-6"	38.50
D-11	← WAHIWA SCHOFIELD BKS HONOLULU	10'-6" x 6'-0"	63.0
D-12	HELEMANO →	5'-0" x 2'-6"	12.50
TOTAL			626.50

ROUTE MARKER SUMMARY

SIGN ASSEMBLY	SIGN NO. AND MESSAGE	TYPE A ASSEMBLY		TYPE B ASSEMBLY	
		W/POST	W/O POST	W/POST	W/O POST
SRM-1	M3-1 NORTH MI-6(99) 99	4			
SRM-2	M2-1 JCT MI-6(76) 76	2	2		
SRM-3	MI-6(76) 76 99 MI-6(99) M6-1 M6-3			2	
SRM-4	MI-6(99) 99 76 MI-6(76) M6-3 M6-1			2	
SRM-5	M3-1 NORTH MI-6(99) 99 M6-2(R)	2			
SRM-6	M3-3 SOUTH MI-6(99) 99	3			
SRM-7	M2-1 JCT MI-6(80) 80	2			
SRM-8	M2-1 JCT MI-6(7012) 7012	2			
SRM-9	M3-3 SOUTH MI-6(80) 80	2			
SRM-10	MI-6(80) 80 7012 MI-6(7012) M6-3 M6-1			1	
SRM-11	MI-6(7012) 7012 80 MI-6(80) M6-1 M6-3			1	
SRM-12	M3-1 NORTH MI-6(80) 80	1			
SRM-13	MI-6(99) 99 80 MI-6(80) M6-1 M6-1			1	
SRM-14	M3-1 NORTH END M4-6 MI-6(99) 99 80 MI-6(80) M6-3			1	
SRM-15	MI-6(80) 80 99 MI-6(99) M6-2(L) M6-2(R)			1	
SRM-16	MI-6(99) 99 M6-1	1			
TOTAL		19	2	9	0

NOTE:
The first letter of the Cardinal Directional words (NORTH, SOUTH, EAST, WEST) shall be 10 percent larger, rounded up to the nearest whole number size.

SURVEY PLOTTED BY _____ DATE _____
 PLAN _____
 TRACED BY _____
 DESIGNED BY _____
 NOTE BOOK _____
 QUANTITIES BY _____
 CHECKED BY _____
 No. _____

6/7/93 Revise Route Marker Summary
 DATE REVISION

STATE OF HAWAII
 DEPARTMENT OF TRANSPORTATION
 HIGHWAYS DIVISION
TRAFFIC SUMMARIES
 KAMEHAMEHA HIGHWAY RESURFACING
 Waiikina Dr. & Kamananui Rd. Resurfacing
 F. A. Project No. STP-0300(29)
 Date: April 1993
 SHEET No. T26 OF 27 SHEETS

FED. ROAD DIST. NO.	STATE	FED. AID PROJ. NO.	FISCAL YEAR	SHEET NO.	TOTAL SHEETS
HAWAII	HAW.	STP-0300(29)	1993	49	49

REFLECTOR MARKER & TYPE II OBJECT MARKER SUMMARY						
TYPE	QUANTITY					
	W/O POST		W/POST		W/FLEXIBLE DELINEATOR POST (TYPE B)	
	YELLOW	WHITE	YELLOW	WHITE	YELLOW	WHITE
RM-2		1		22		30
RM-3	169		24		20	
RM-4			16			
RM-9	2					
OM-II	242		22			

MILEPOST MARKER SUMMARY				
SIGN NO.	MESSAGE	W/O POST	W/POST	BI-DIRECTIONAL W/POST
D10-1	MILE 9 [99]	3	1	
D10-1	MILE 8 [99]	2		
D10-1	MILE 7 [99]			1
D10-1	MILE 1 [80]			1
D10-1a	MILE 1 ⁹² [80]	2		
D10-1	MILE 6 [99]			1
D10-1	MILE 5 [99]			1
TOTAL		7	1	4

Note: Highway Route Number Plate ([80] & [99]) shall not be paid for separately but considered incidental to various signing items.

DESIGNED BY	DATE
DRAWN BY	
TRACED BY	
DESIGNED BY	
QUANTITIES BY	
CHECKED BY	
N ^o .	

6/7/93

Revise Reflector Marker &
Type II Object Marker Summary

DATE

REVISION

STATE OF HAWAII DEPARTMENT OF TRANSPORTATION HIGHWAYS DIVISION
TRAFFIC SUMMARIES
KAMEHAMEHA HIGHWAY RESURFACING Wiilikina Dr. & Kamananui Rd. Resurfacing
F. A. Project No. STP-0300(29)
Date: April 1993
SHEET No. T27 OF 27 SHEETS

ADD.49