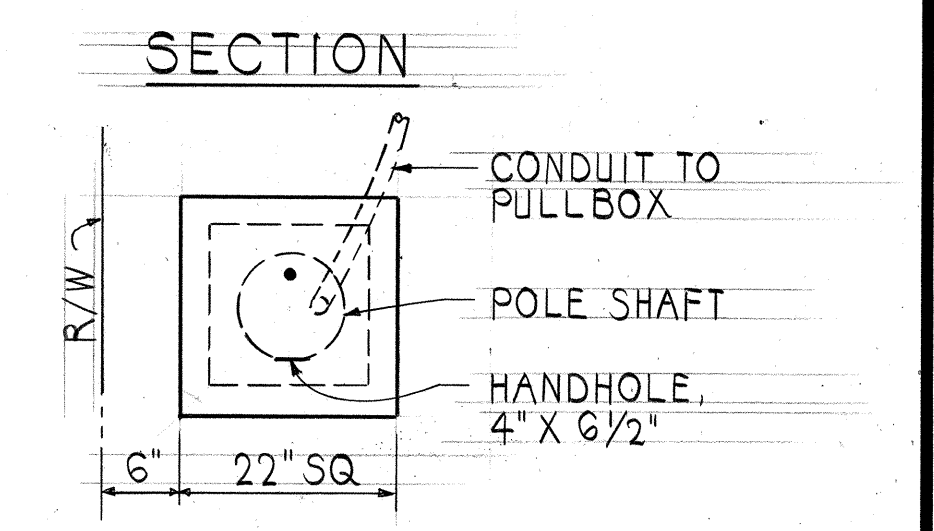
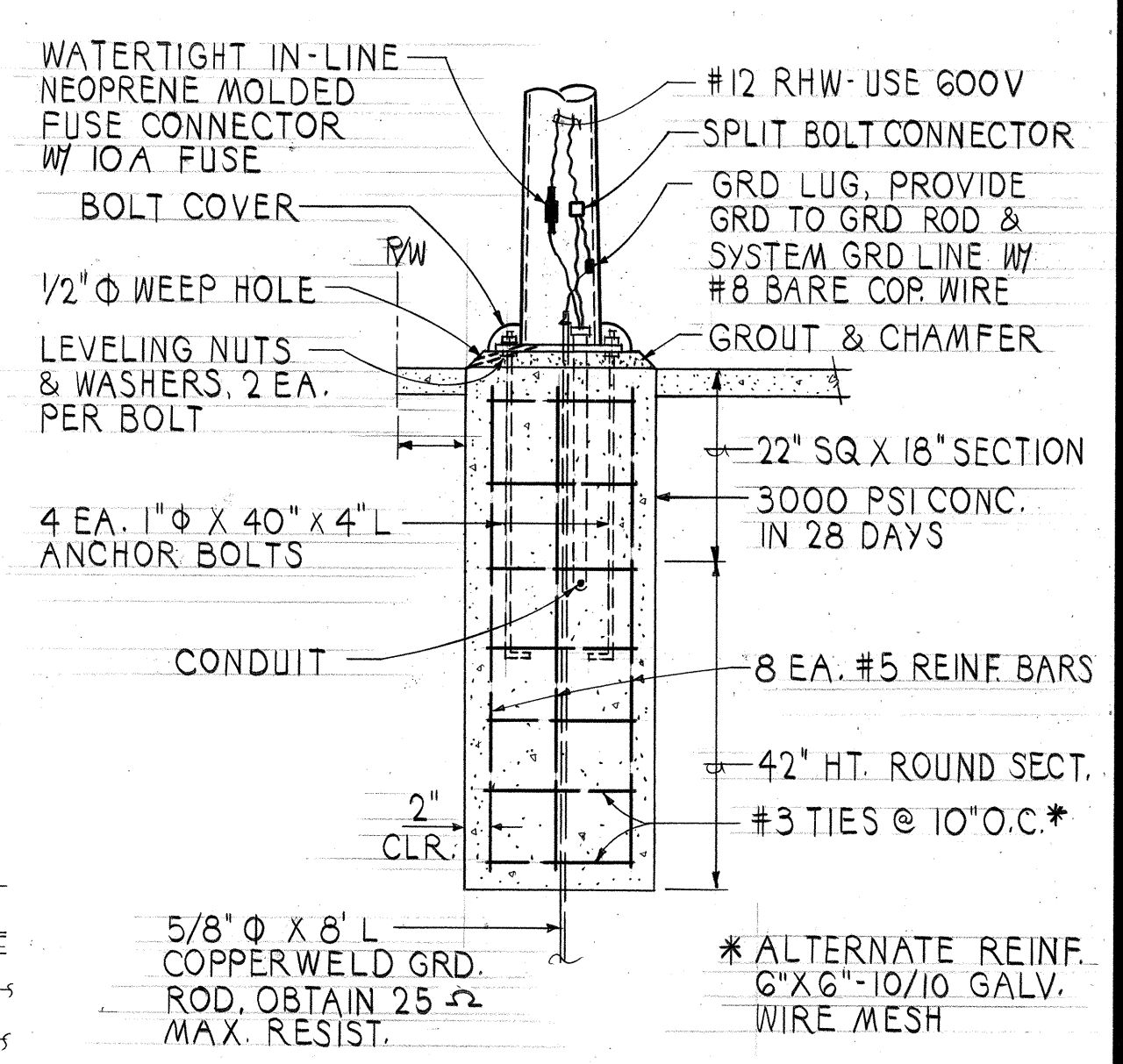
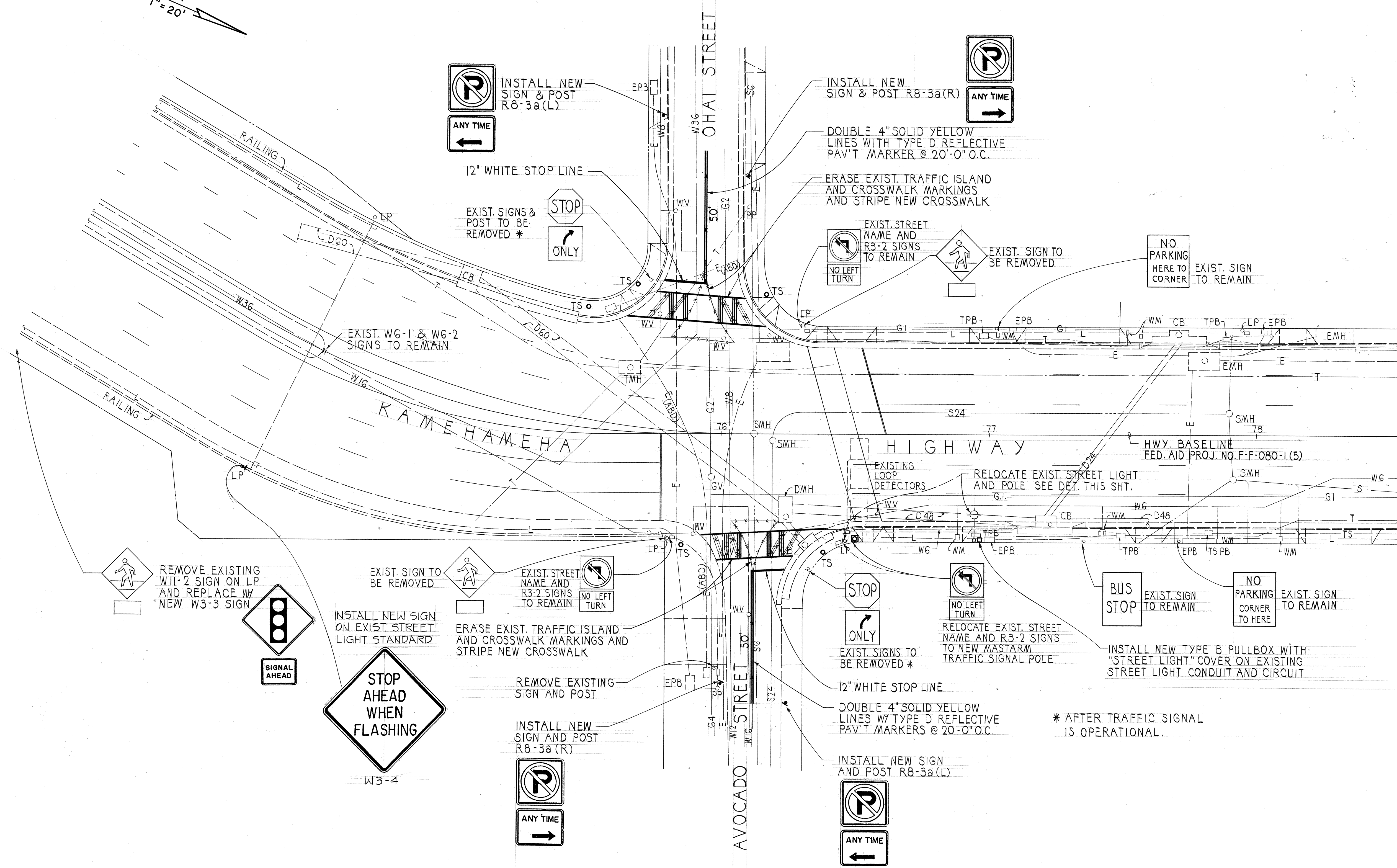
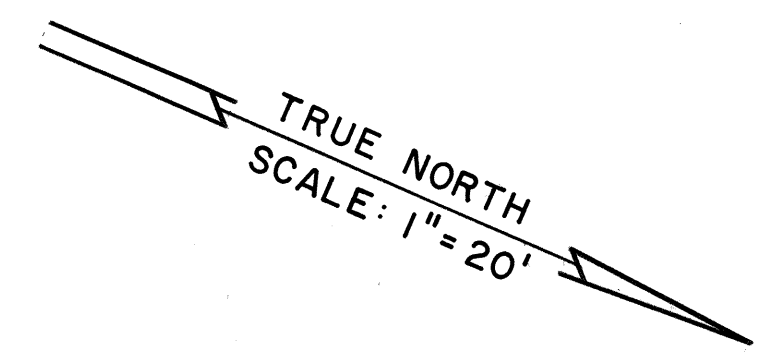


FED. ROAD DIST. NO.	STATE	FED. AID PROJ. NO.	FISCAL YEAR	SHEET NO.	TOTAL SHEETS
HAWAII	HAW.	HES-080-1(9)	1990	4	6



SECTION

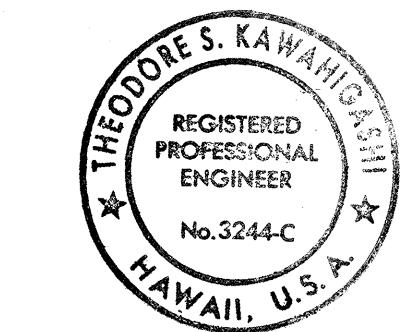
PLAN

NOTE: EXISTING STREET LIGHT POLE BASE SHALL BE DOMOLISHED TO 4" BELOW SIDEWALK AND RESURFACED WITH CONCRETE.

STREET LIGHT POLE AND BASE DETAIL

NOT TO SCALE

ORIGINAL PLAN	DATE
DESIGNED BY	
TRACED BY	
DESIGNED BY	
QUANTITIES BY	
CHECKED BY	
No.	



THIS WORK WAS PREPARED BY ME OR UNDER MY SUPERVISION

Theodore S. Kawachi

10/15/90	Added Flashing Beacon, Traffic Signal Assembly & W3-4 Sign.
DATE	REVISION
STATE OF HAWAII DEPARTMENT OF TRANSPORTATION HIGHWAYS DIVISION	
SIGNING AND STRIPING PLAN	
KAMEHAMEHA HIGHWAY TRAFFIC SIGNALS AT AVOCADO STREET / OHAII STREET	
FED. AID PROJECT NO. HES-080-1(9)	
SCALE: 1" = 20'	DATE: APR. 1990
SHEET No. 1 OF 1 SHEETS	