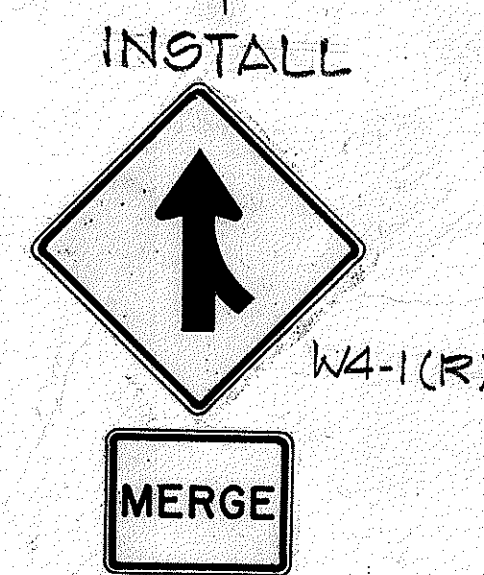
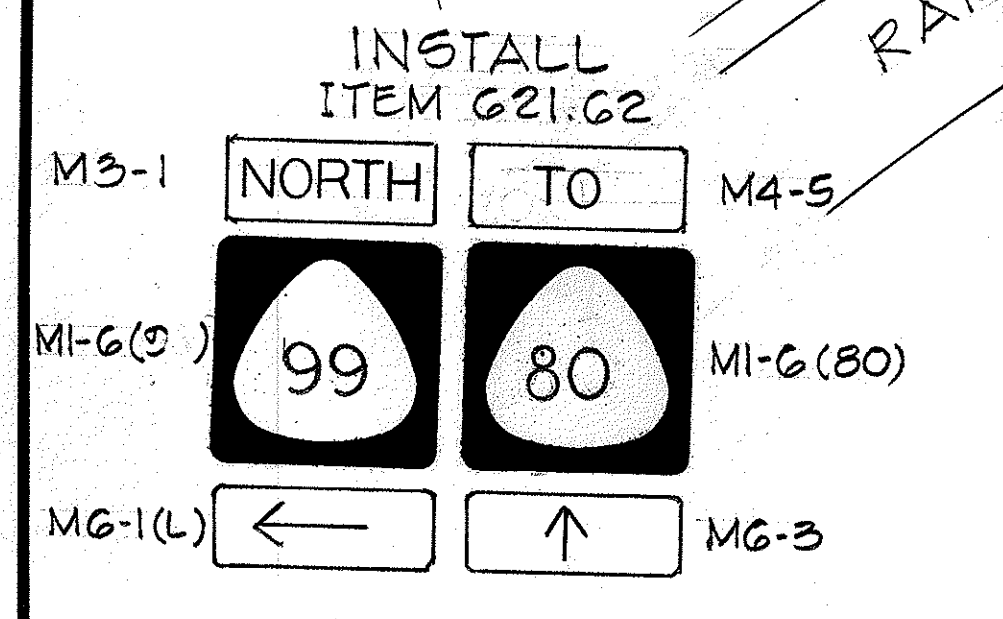
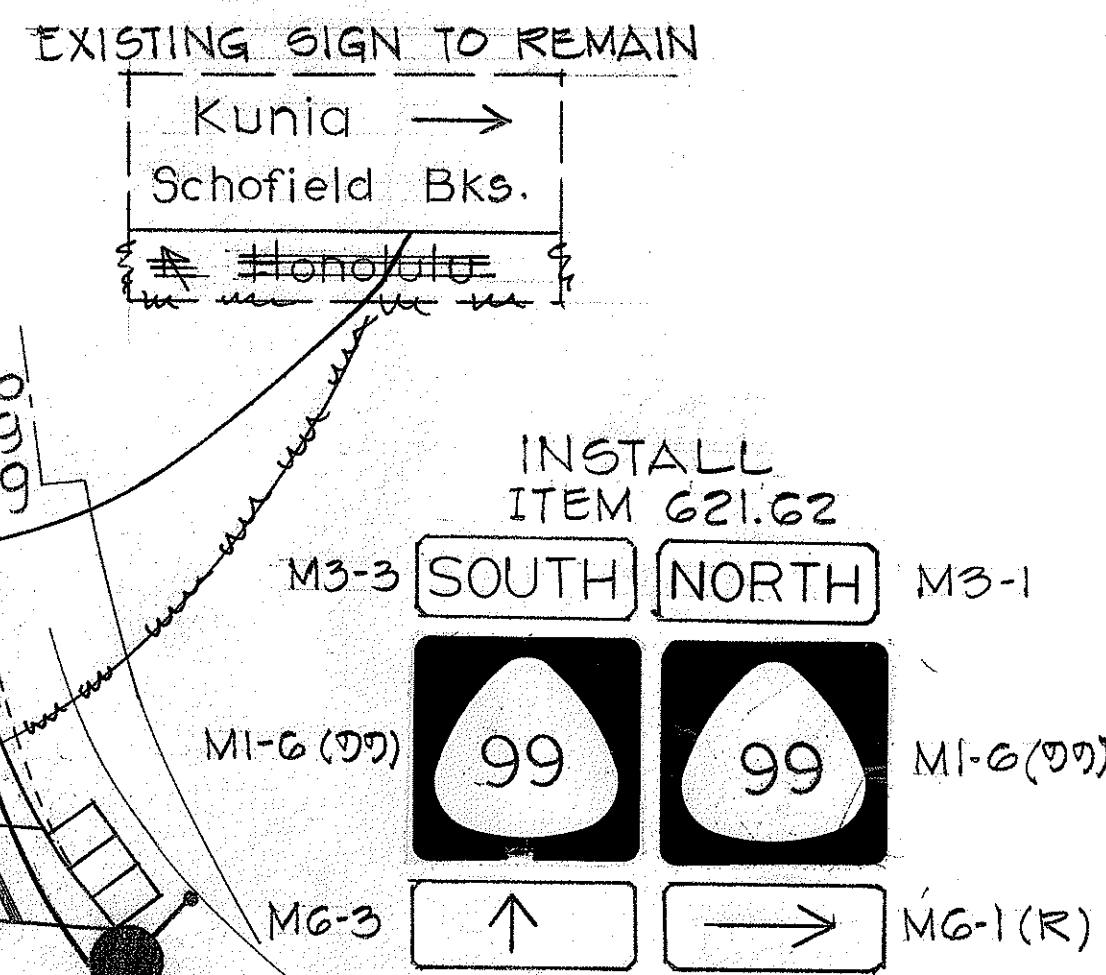
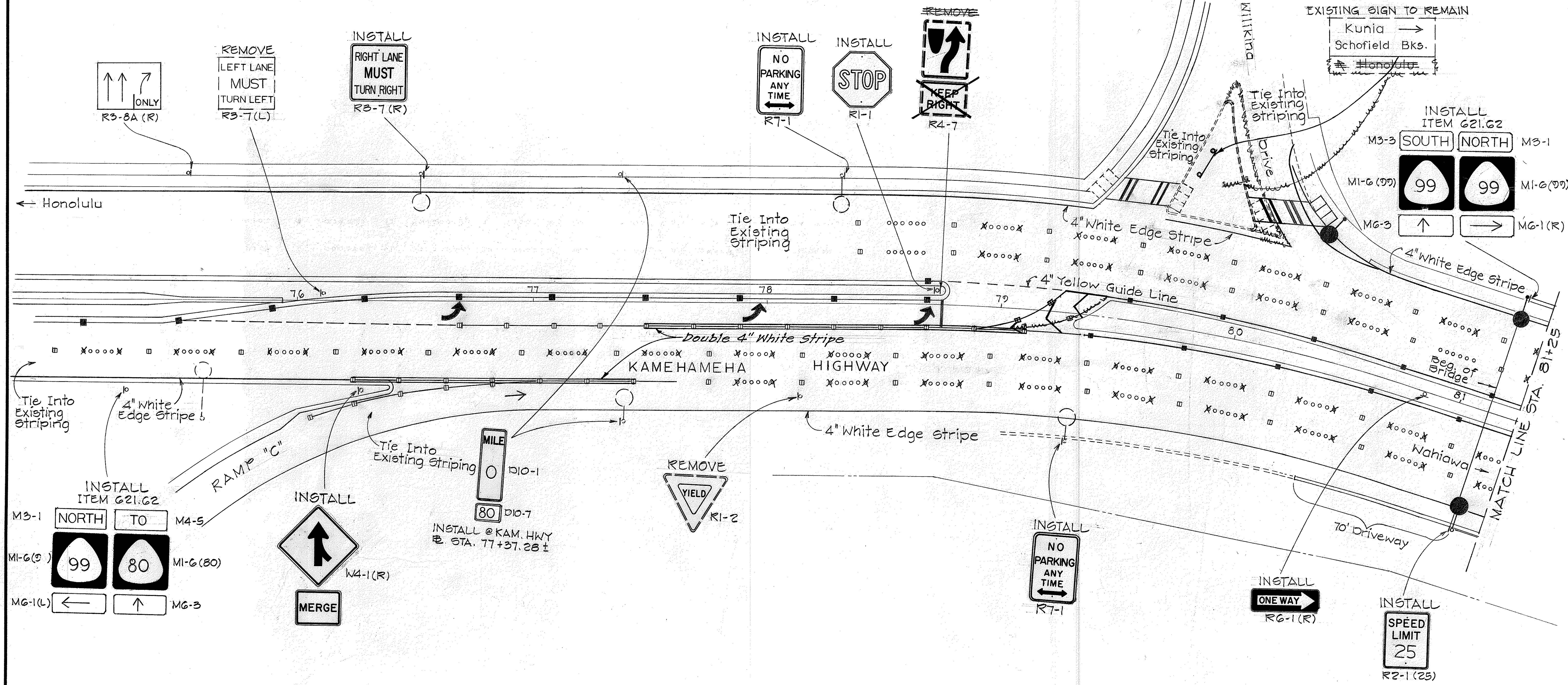
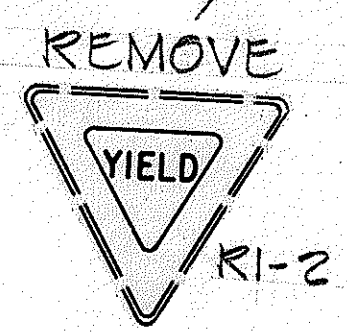


FED. ROAD DIST. NO.	STATE	FED. AID PROJ. NO.	FISCAL YEAR	SHEET NO.	TOTAL SHEETS
HAWAII	HAW.	BR-F-080-1(7)	1977	44	105

TRUE NORTH  
Scale: 1" = 20'



INSTALL @ KAM. HWY  
E. STA. 77+37.28 ±



DATE	_____
SURVEY PLOTTED BY	_____
DRAWN BY	_____
DESIGNED BY	_____
QUANTITIES BY	_____
CHECKED BY	_____
ORIGINAL PLAN	_____
NOTE BOOK	_____
No.	_____

STATE OF HAWAII  
DEPARTMENT OF TRANSPORTATION  
HIGHWAYS DIVISION

SIGNING & PAVEMENT MARKINGS

WILSON BRIDGE  
AND APPROACHES

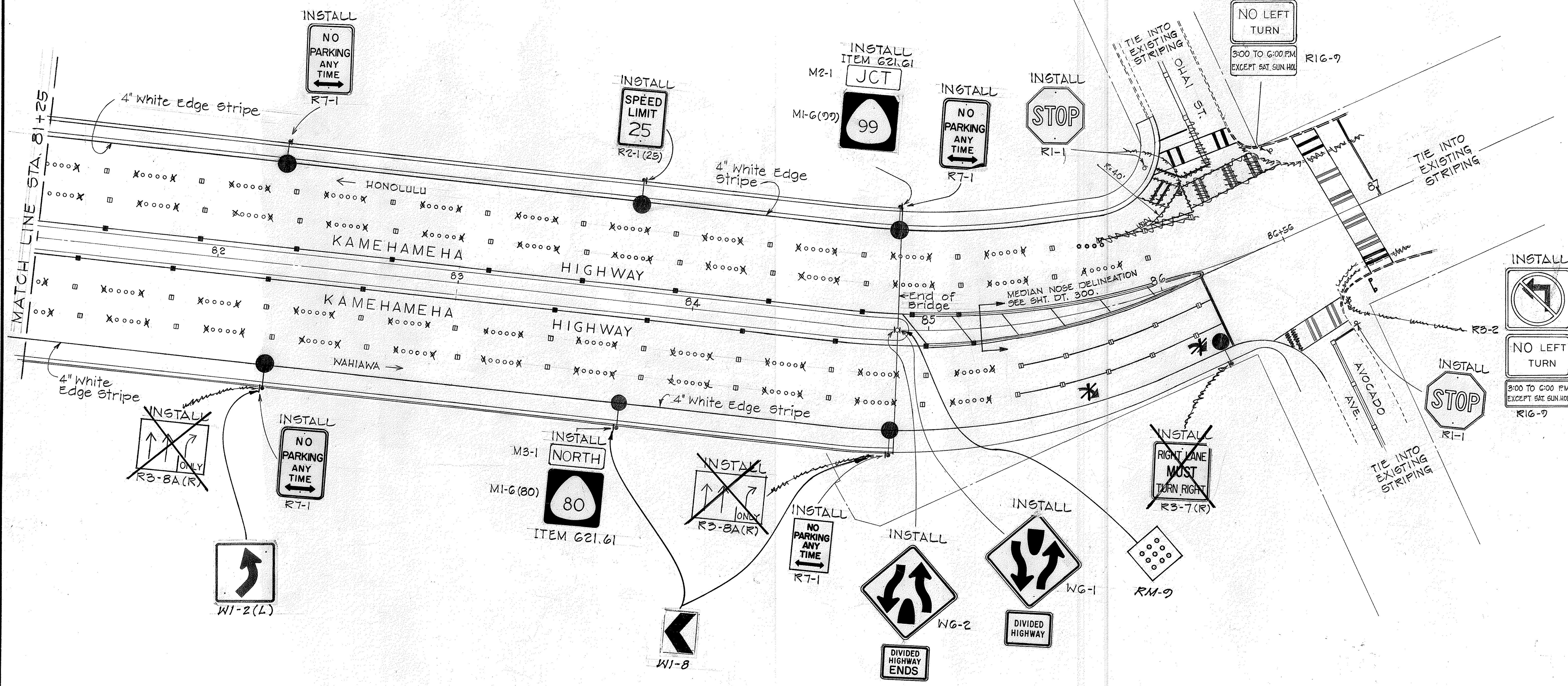
F.A.P. NO. BR-F-080-1(7)

Scale: As Shown Date: August, 1976

SHEET NO. 1 OF 13 SHEETS

FED. ROAD DIST. NO.	STATE	FED. AID PROJ. NO.	FISCAL YEAR	SHEET NO.	TOTAL SHEETS
HAWAII	HAW.	BR-F-080-1(7)	1977	45	105

TRUE NORTH  
Scale: 1" = 20'



SURVEY PLOTTED BY	DATE
DESIGNED BY	
NOTED BY	
QUANTITIES BY	
CHECKED BY	

STATE OF HAWAII  
DEPARTMENT OF TRANSPORTATION  
HIGHWAYS DIVISION

**SIGNING & PAVEMENT MARKINGS**

WILSON BRIDGE  
AND APPROACHES

F.A.P. NO. BR-F-080-1(7)

Scale: As Shown Date: August, 1976

**SHEET No. 2 OF 13 SHEETS**

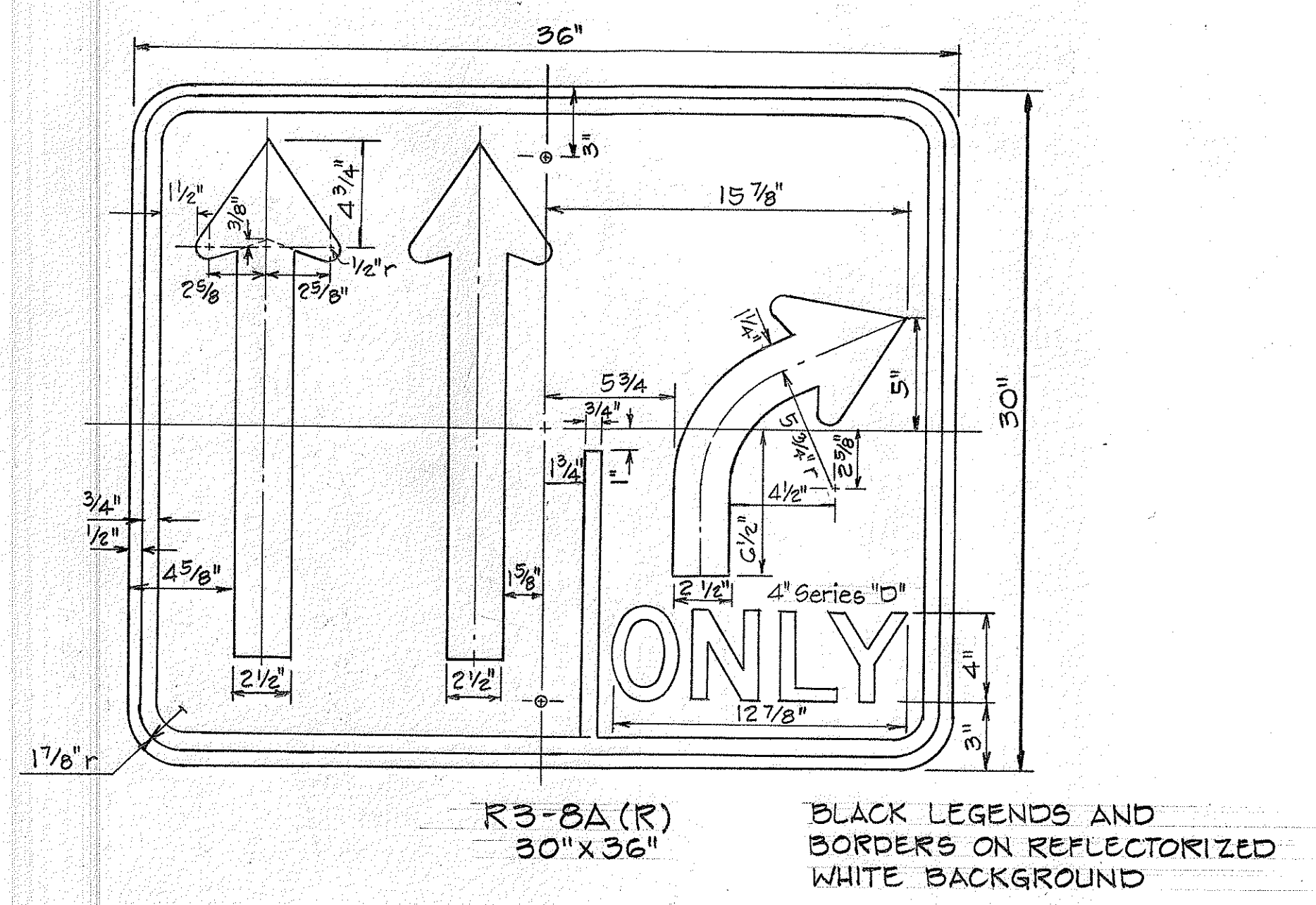
FED. ROAD DIST. NO.	STATE	FED. AID PROJ. NO.	FISCAL YEAR	SHEET NO.	TOTAL SHEETS
HAWAII	HAW.	BR-F-080-1(7)	1977	46	165

SUMMARY OF REGULATORY AND WARNING SIGNS

TYPE	DESCRIPTION	QUANTITY	
		W/POST	W/O POST
R1-1	STOP	4	
R2-1(25)	SPEED LIMIT 25		2
R3-2	NO LEFT TURN	2	
R3-7(R)	RIGHT LANE MUST TURN RIGHT		2
R3-8A(R)	↑↑ ONLY	1	2
RG-1(R)	ONE WAY	1	
R7-1	NO PARKING ANY TIME		6
R16-7	3:00 TO 6:00 P.M. EXCEPT SAT SUN HOL.		2
W4-1(R)	MERGE		1
WG-1	DIVIDED HIGHWAY	1	
WG-2	DIVIDED HIGHWAY ENDS		1

ROUTE MARKER SUMMARY

TYPE	DESCRIPTION	QUANTITY BY ITEM	
		G21.61	G21.62
M1-6(80)	80	1	1
M1-6(99)	99	1	3
M2-1	JCT	1	
M3-1	NORTH	1	2
M3-3	SOUTH		1
M4-5	TO		1
MG-1(L)	←		1
MG-1(R)	→		1
MG-3	↑		2

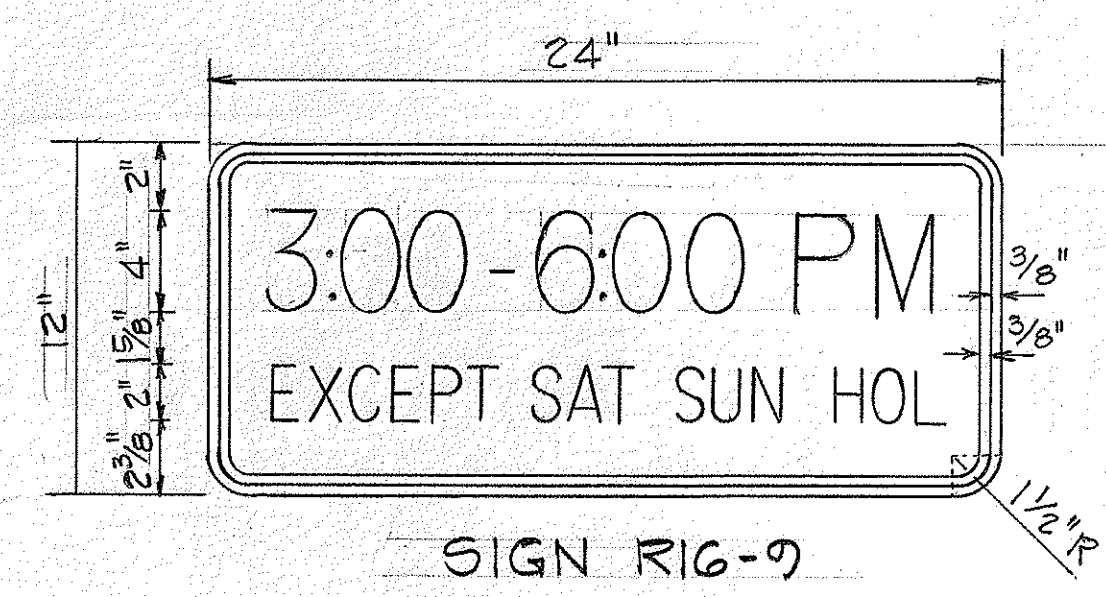


SUMMARY OF PAVEMENT MARKINGS & STRIPING

ITEM NO.	DESCRIPTION	QUANTITY
G29.10	TYPE A PAVEMENT MARKERS	486 EACH
G29.30	TYPE C PAVEMENT MARKERS	122 EACH
G29.40	TYPE D PAVEMENT MARKERS	3 EACH
G29.80	TYPE H PAVEMENT MARKERS	62 EACH
G29.90	TYPE J PAVEMENT MARKERS	20 EACH
G42.01	PAVEMENT STRIPING	4900 LIN. FT.
G42.02	CROSSWALK MARKING	14 LANE
G42.03	PAVEMENT ARROWS	5 EACH

MILEPOST MARKER SUMMARY

TYPE	DESCRIPTION	QUANTITY	
		ITEM G21.77	ITEM G21.78
D10-1	MILE 0	1	1
D10-7	80	1	1



NOTE:  
Use Series "B" Letters & Numerals  
Black Legend on Reflectorized White Background

STATE OF HAWAII  
DEPARTMENT OF TRANSPORTATION  
HIGHWAYS DIVISION

**SIGNING & PAVEMENT MARKINGS**

SCHEDULES & MISCELLANEOUS  
DETAILS

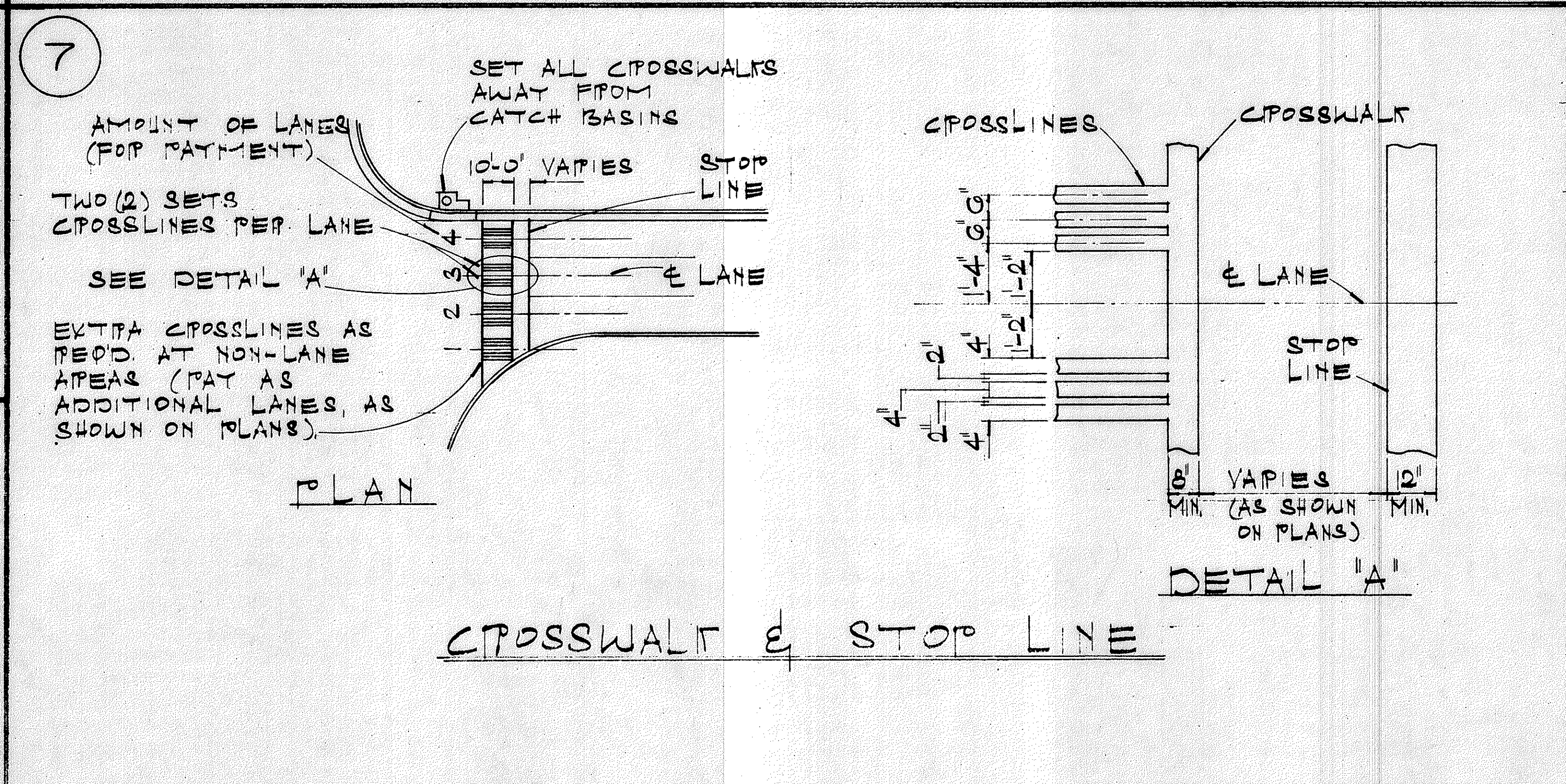
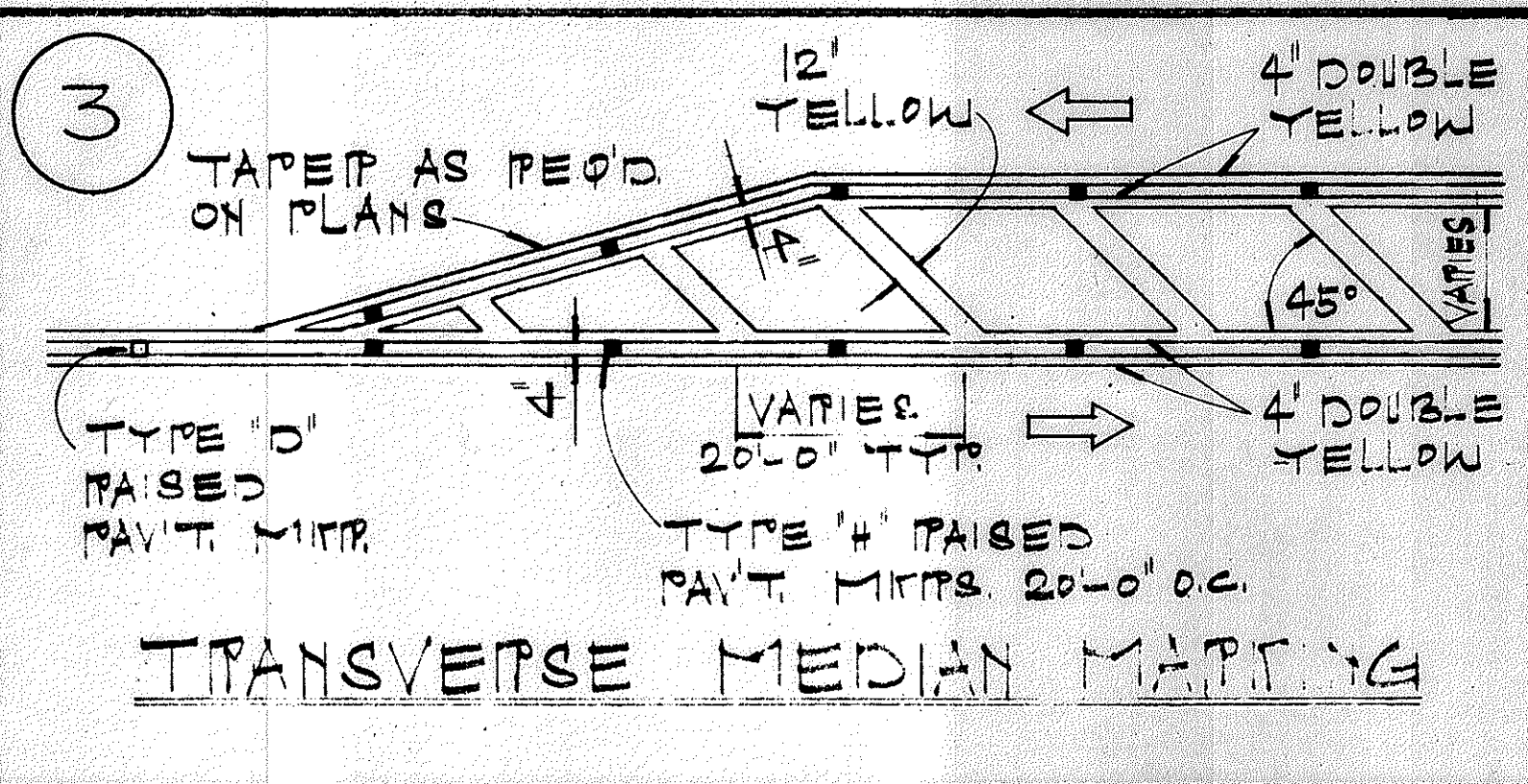
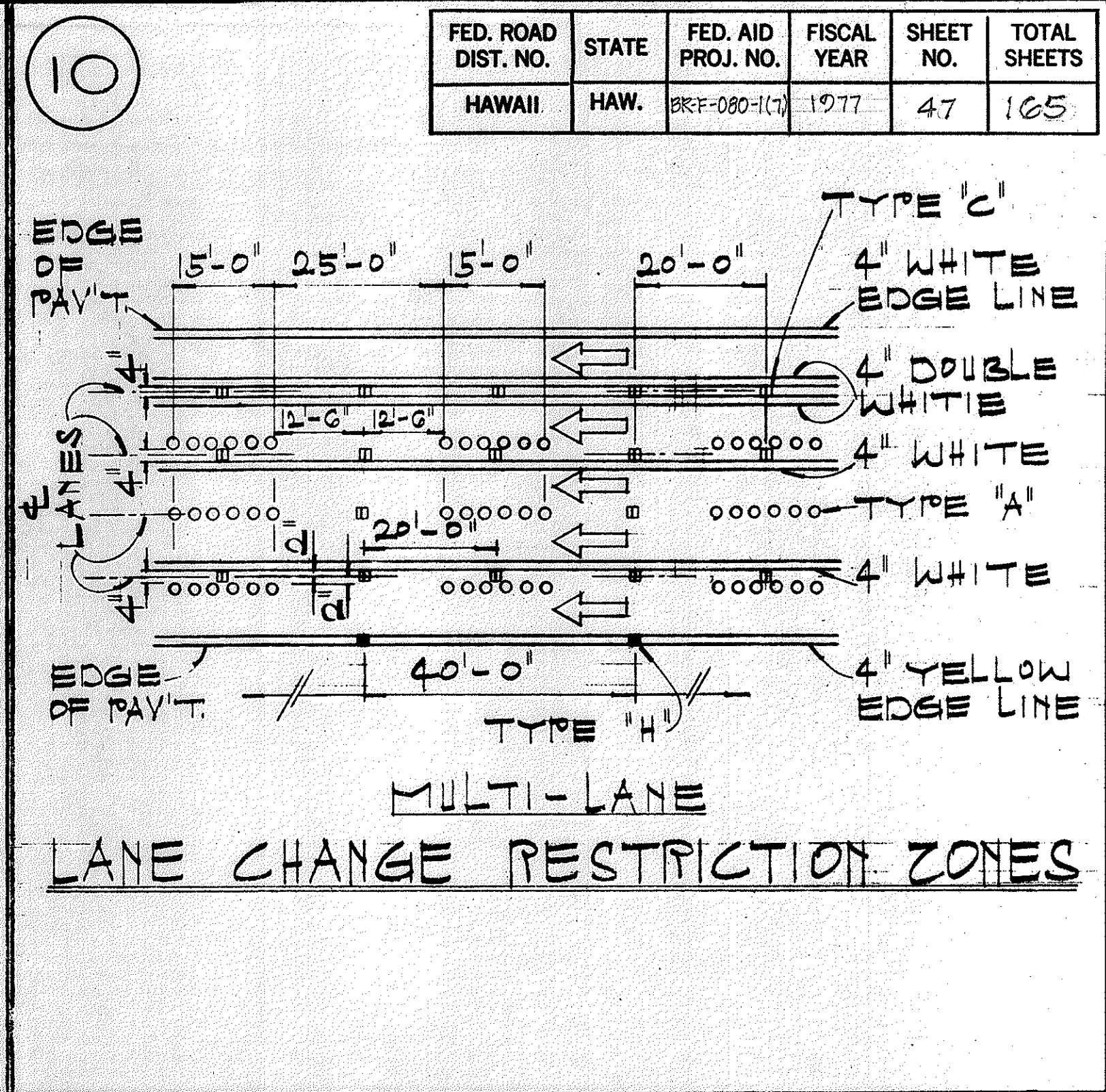
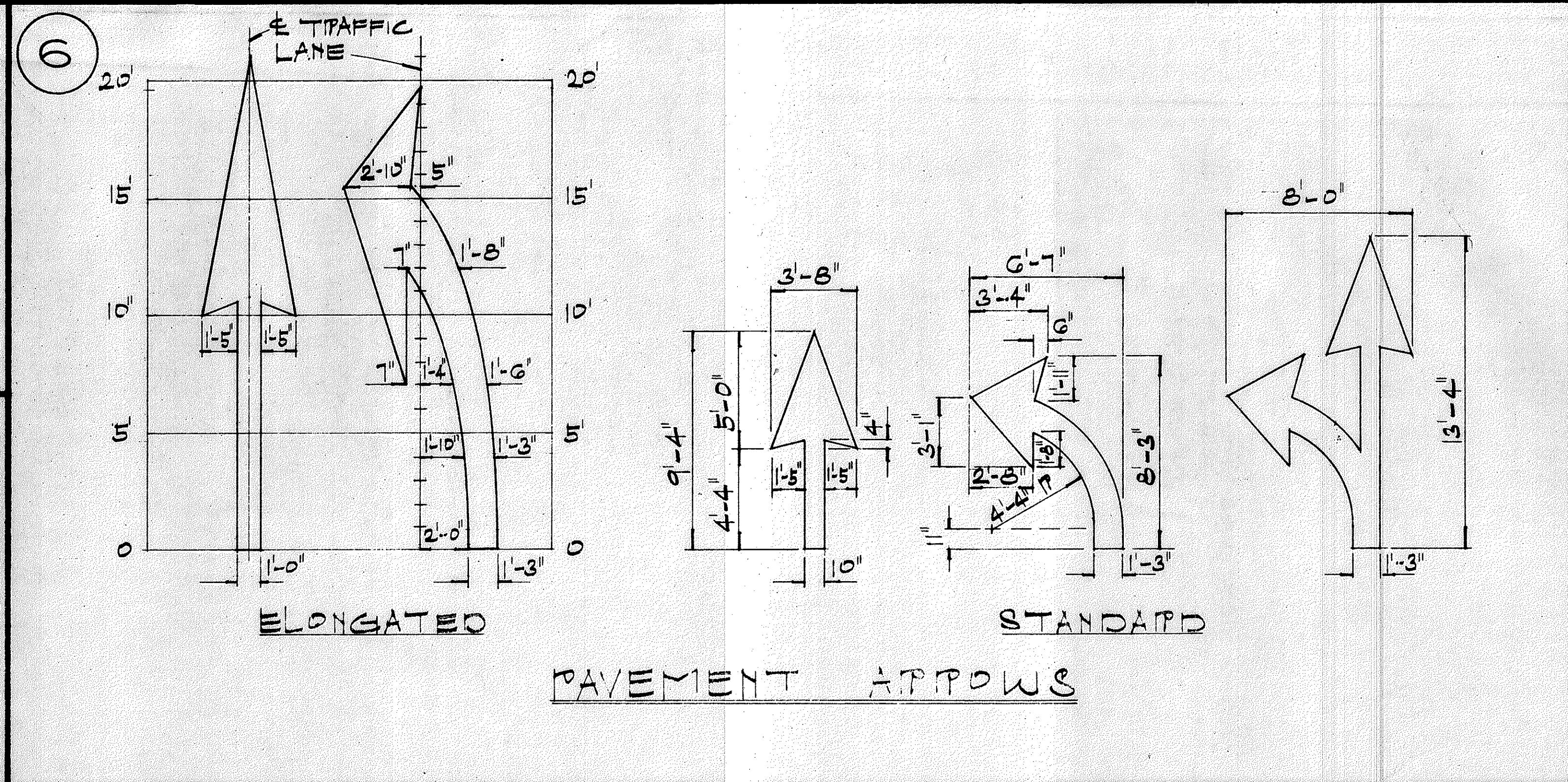
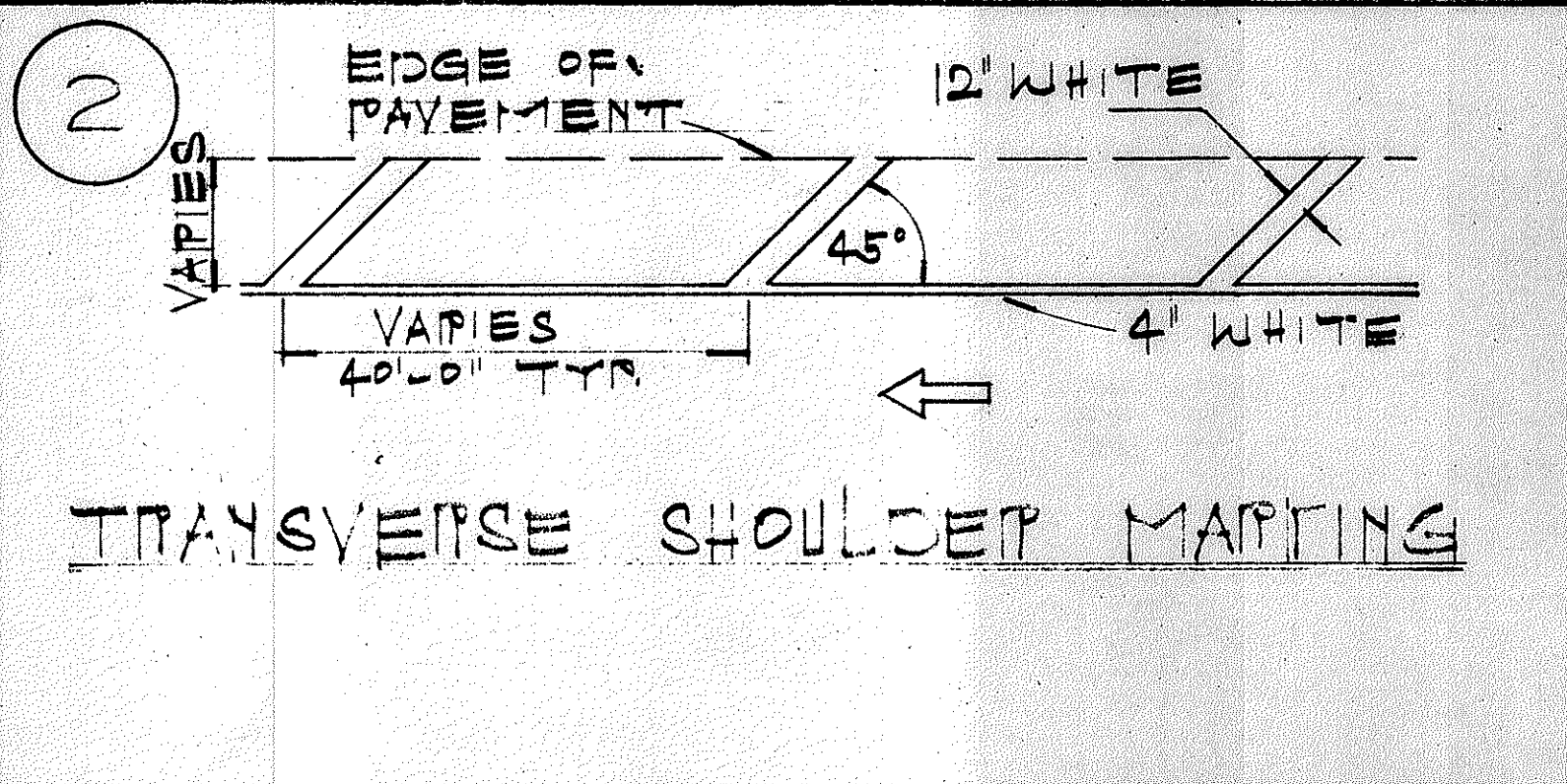
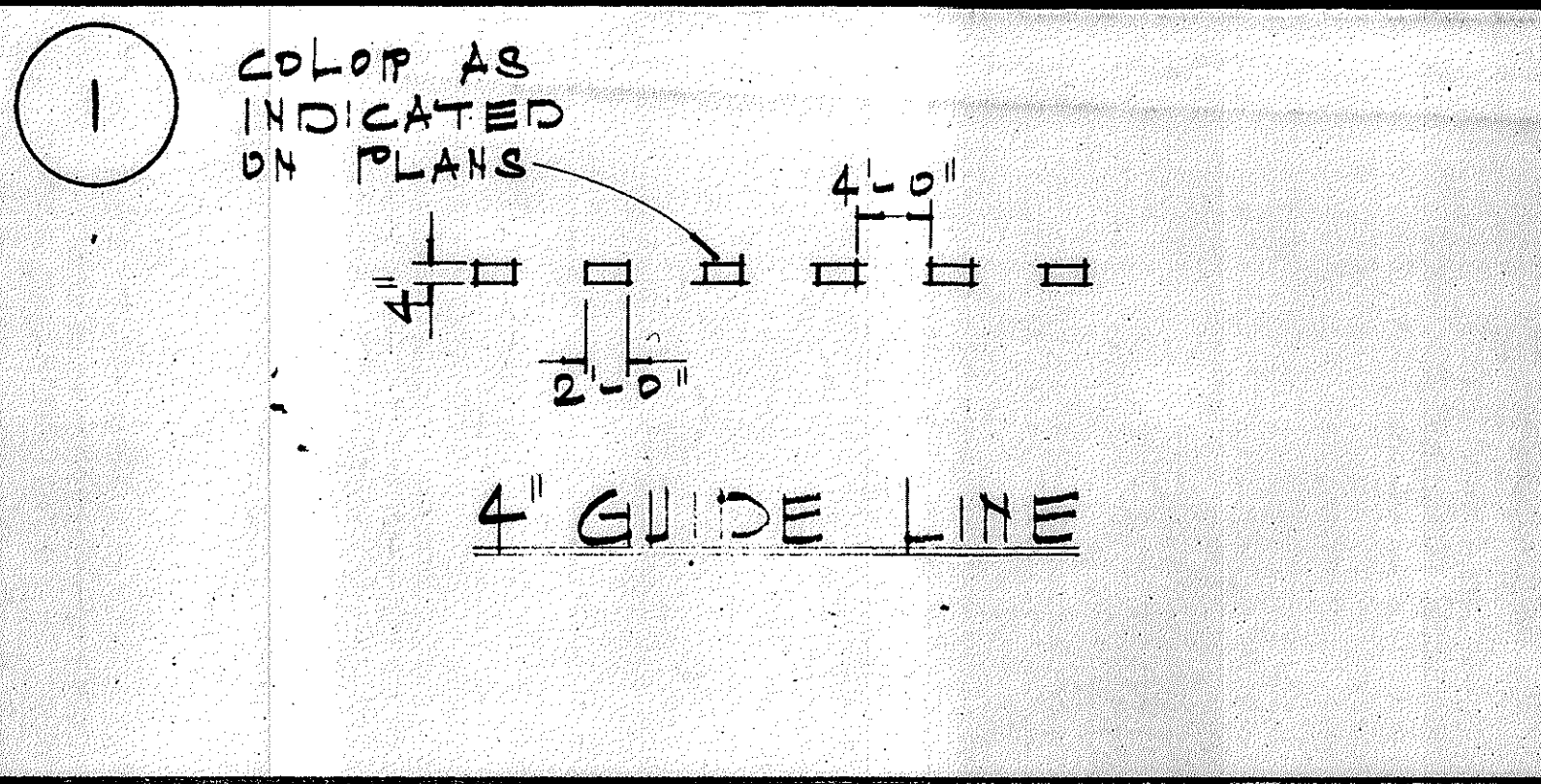
WILSON BRIDGE & APPROACHES  
F.A.P. NO. BR-F-080-1(7)

Scale: As Shown Date: August, 1976

SHEET No. 3 OF 13 SHEETS

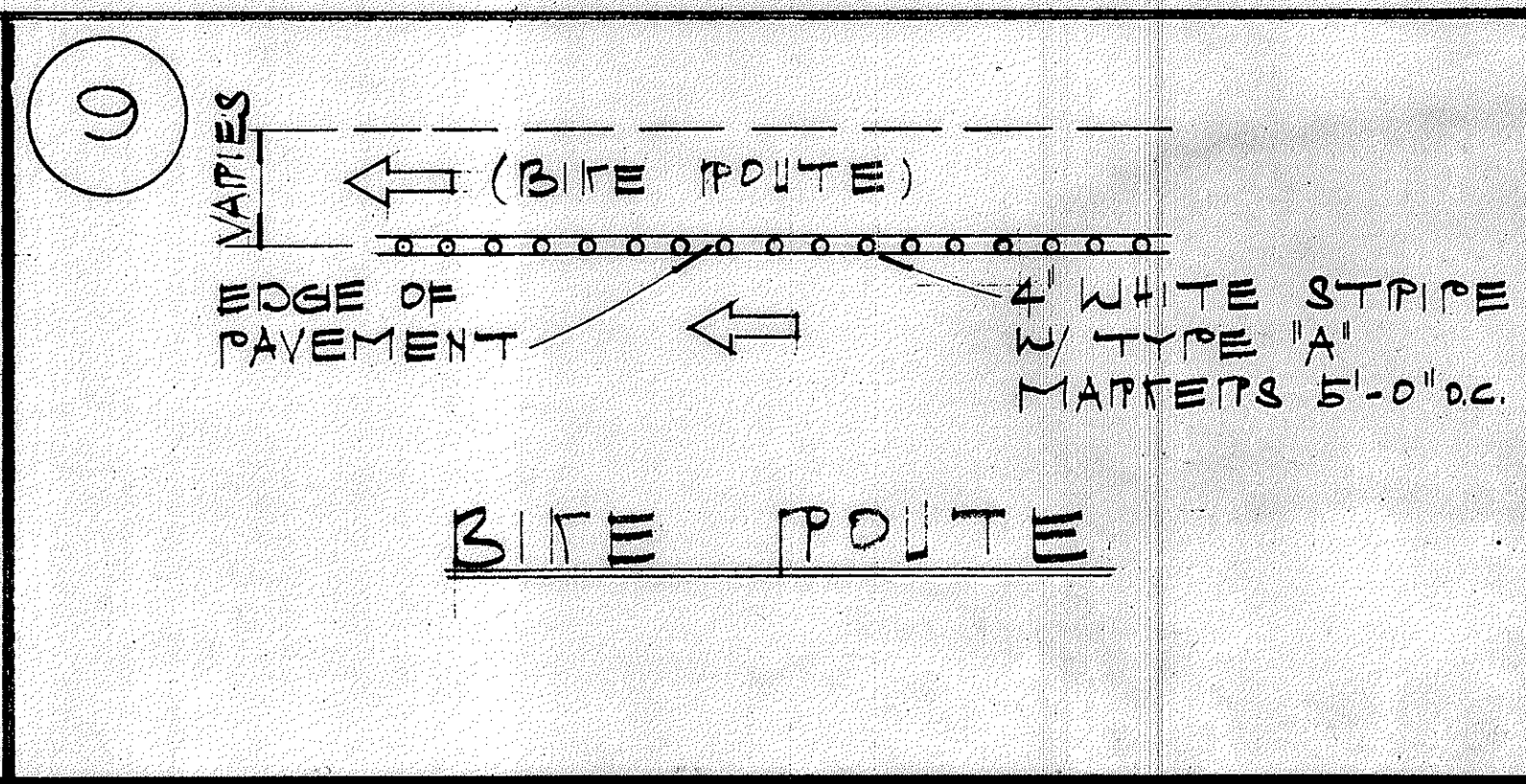
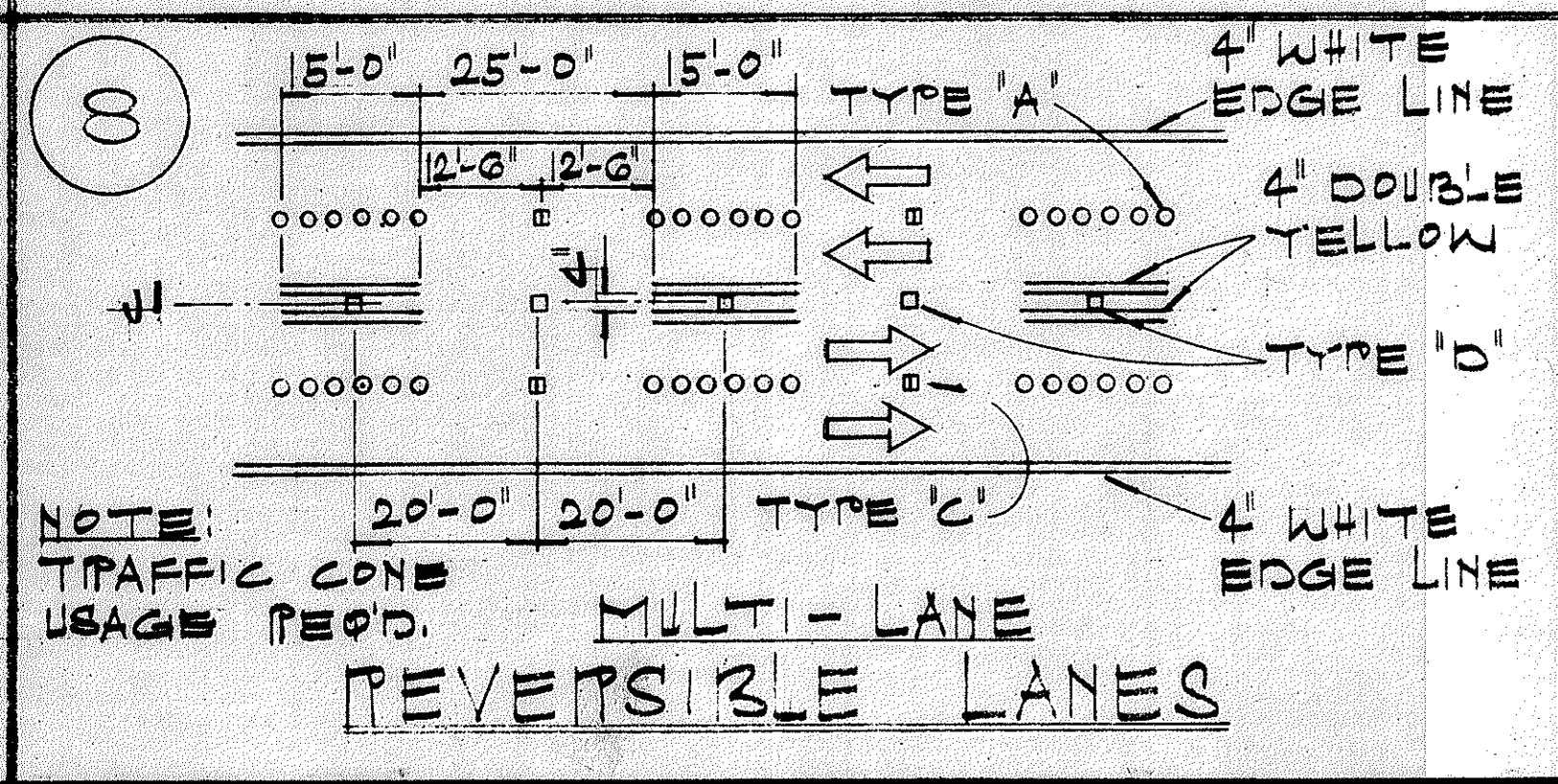
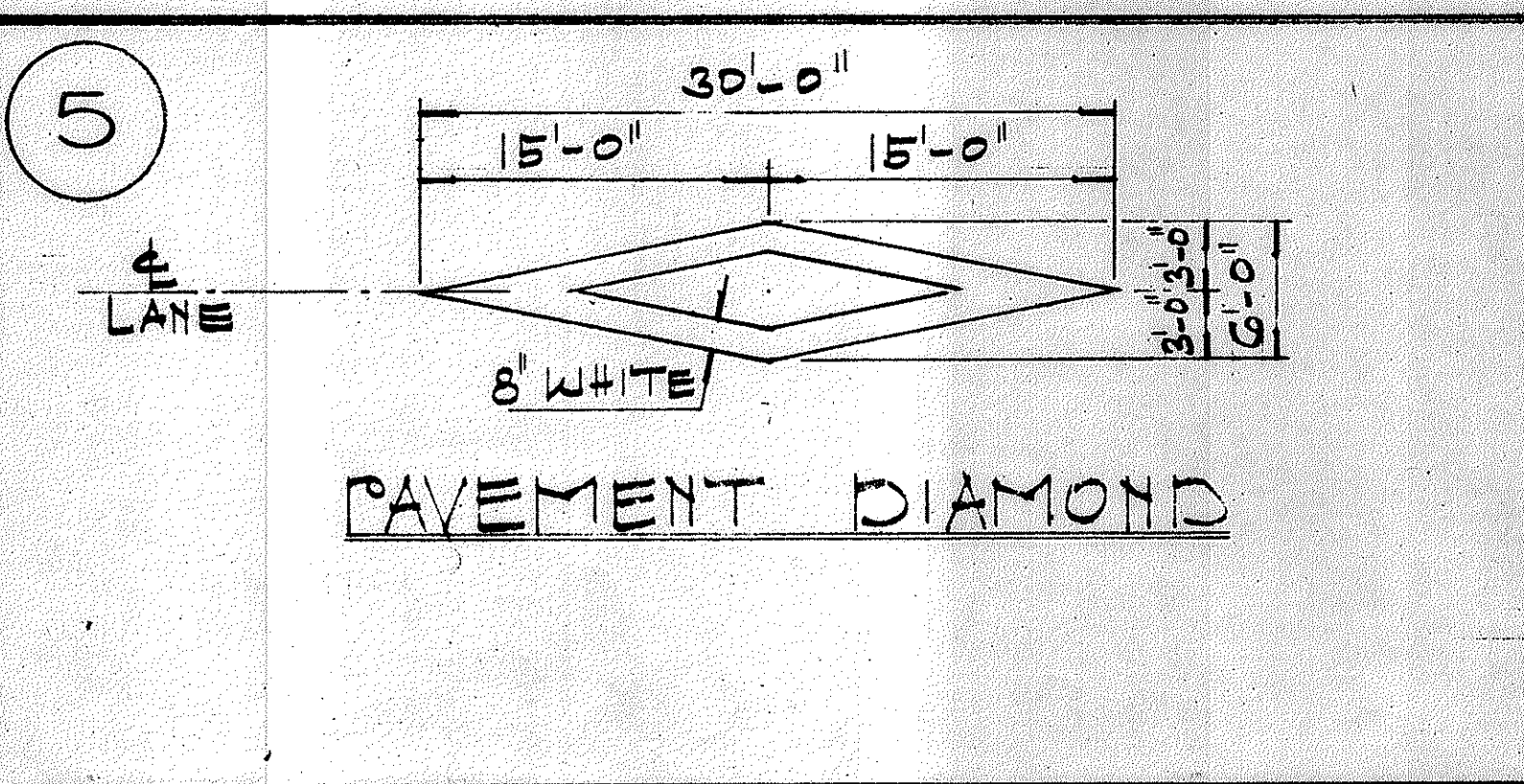
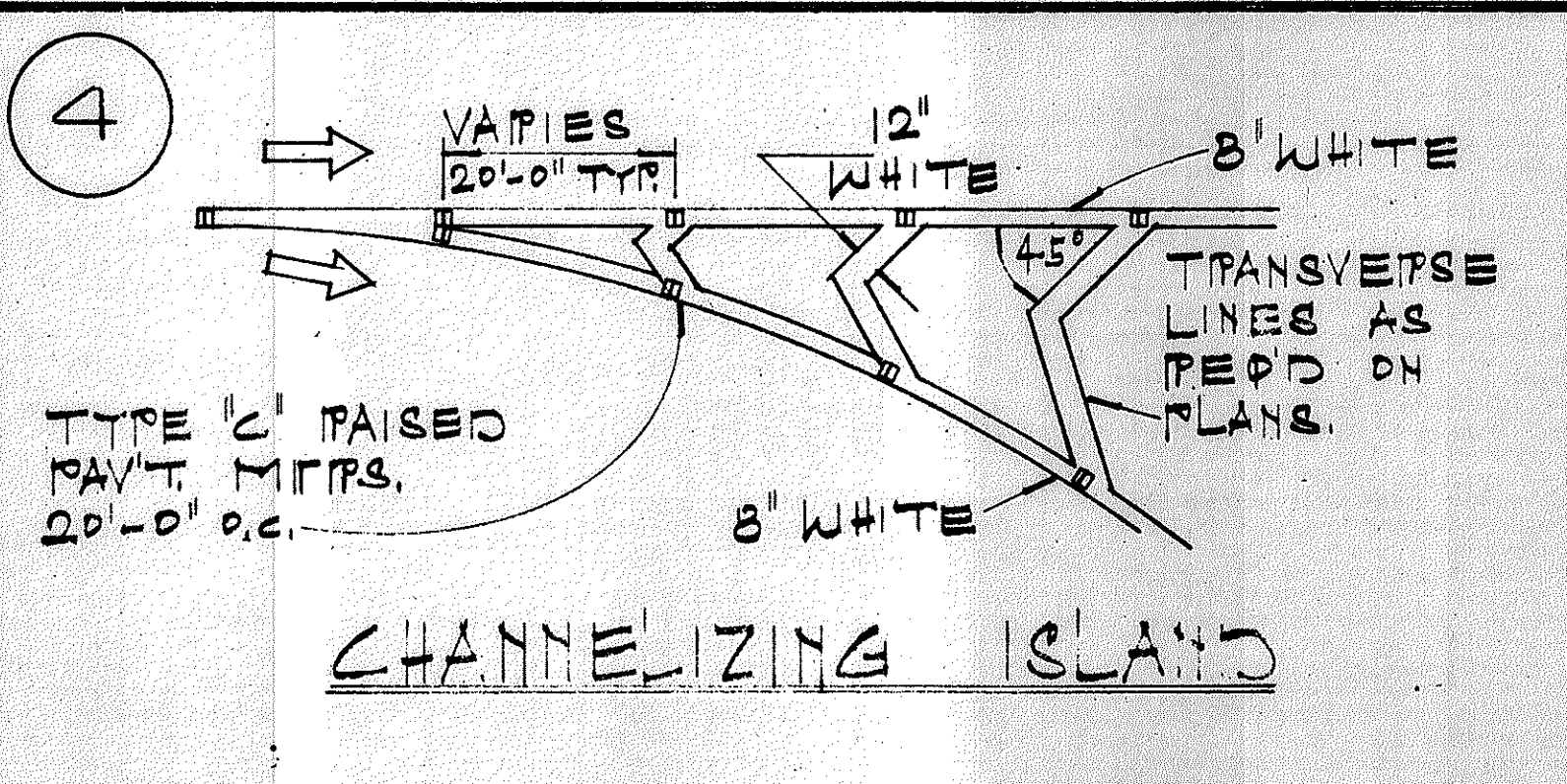
DATE \_\_\_\_\_  
SURVEY PLOTTED BY \_\_\_\_\_  
PLAN \_\_\_\_\_  
DESIGNED BY \_\_\_\_\_  
NOTE BOOK \_\_\_\_\_  
QUANTITIES BY \_\_\_\_\_  
CHECKED BY \_\_\_\_\_  
No. \_\_\_\_\_

FED. ROAD DIST. NO.	STATE	FED. AID PROJ. NO.	FISCAL YEAR	SHEET NO.	TOTAL SHEETS
HAWAII	HAW.	287-080-1(1)	1977	47	165



**GENERAL NOTES:**

- PAVEMENT MARKINGS SHALL CONFORM TO THE 'MANUAL ON UNIFORM TRAFFIC CONTROL DEVICES FOR STREETS & HIGHWAYS', 1971, (MUTCD), SUBSEQUENT REVISIONS TO THE MUTCD & AS SHOWN ON THE PLANS.
- LAYOUT OF PAVEMENT MARKINGS & STRIPING SHALL BE DONE BY THE CONTRACTOR. THE CONTRACTOR SHALL CHECK LAYOUT OF MARKERS & STRIPING WITH THE ENGINEER PRIOR TO PERFORMING WORK.
- FOR ADDITIONAL PAVEMENT MARKING DETAILS SEE SH. # DT300



STATE OF HAWAII  
DEPARTMENT OF TRANSPORTATION  
HIGHWAYS DIVISION

TYPICAL DETAILS  
MISCELLANEOUS  
PAVEMENT MARKINGS

NOT TO SCALE JULY 1976

SHEET No. 4 OF 13 SHEETS

DATE \_\_\_\_\_

ORIGINAL PLAN \_\_\_\_\_

DRAWN BY \_\_\_\_\_

TRACED BY \_\_\_\_\_

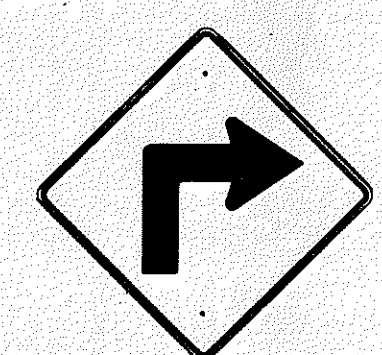
NOTE BOOK \_\_\_\_\_

DESIGNED BY \_\_\_\_\_

QUANTITIES BY \_\_\_\_\_

CHECKED BY \_\_\_\_\_

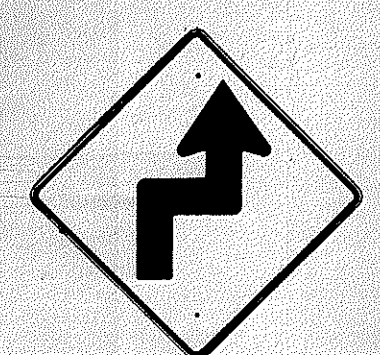
FED. ROAD DIST. NO.	STATE	FED. AID PROJ. NO.	FISCAL YEAR	SHEET NO.	TOTAL SHEETS
HAWAII*	HAW.	BR-F-080-1(7)	1977	48	165



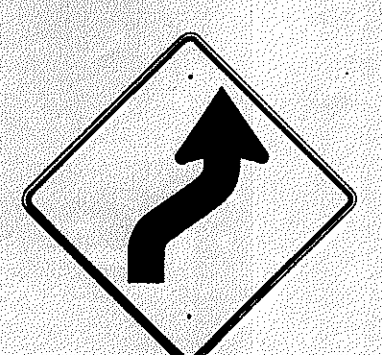
WI-1(R) 30"x30"  
WI-1(R)-A 48"x48"



WI-2(R) 30"x30"  
WI-2(R)-A 48"x48"



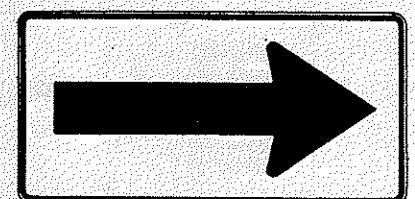
WI-3(R) 30"x30"  
WI-3(R)-A 48"x48"



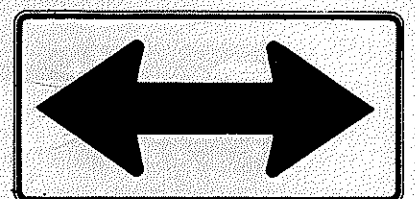
WI-4(R) 30"x30"  
WI-4(R)-A 48"x48"



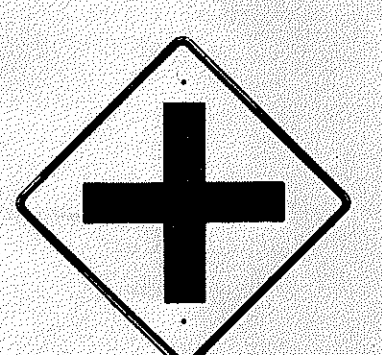
WI-5(R) 30"x30"  
WI-5(R)-A 48"x48"



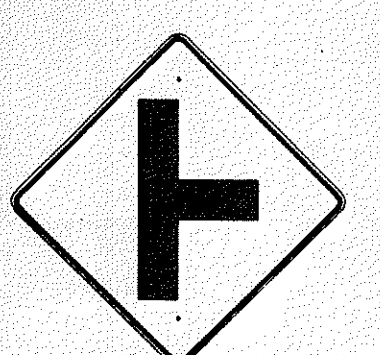
WI-6 48"x24"



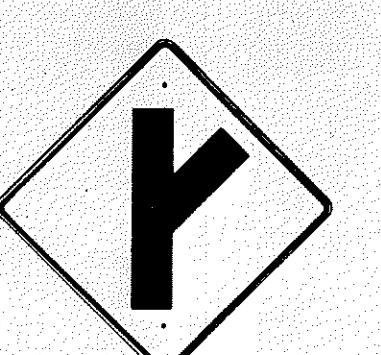
WI-7 48"x24"



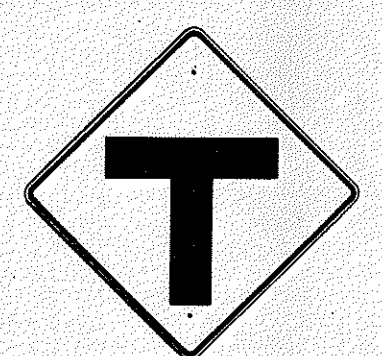
W2-1 30"x30"  
W2-1-A 48"x48"



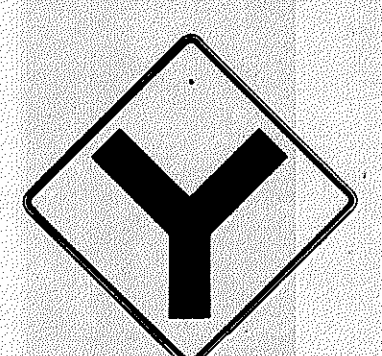
W2-2 30"x30"  
W2-2-A 48"x48"



W2-3(R) 30"x30"  
W2-3(R)-A 48"x48"



W2-4 30"x30"  
W2-4-A 48"x48"



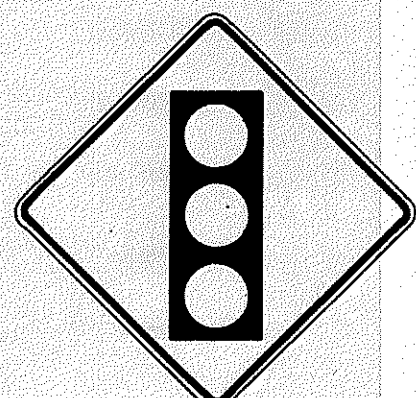
W2-5 30"x30"  
W2-5-A 48"x48"



W3-1 30"x30"  
W3-1-A 36"x36"



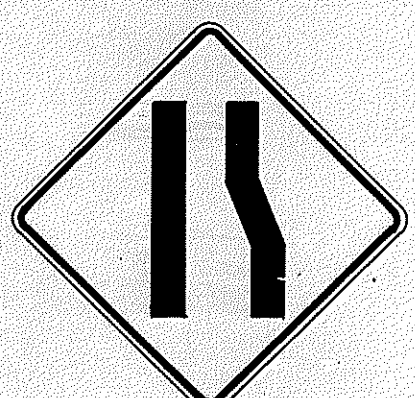
W3-2 30"x30"  
W3-2-A 36"x36"



W3-3 36"x36"  
24"x18"



W4-1(R) 30"x30"  
24"x18"  
W4-1(R)-A 48"x48"  
24"x18"



W4-2(R) 36"x36"  
W4-2(R)-A 48"x48"



W5-1 36"x36"



W5-2 30"x30"  
W5-2-A 36"x36"



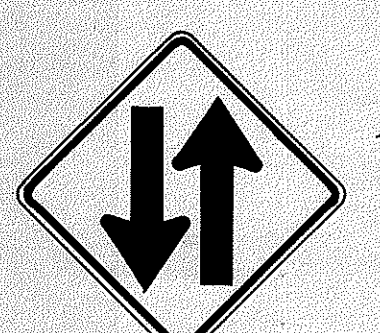
W5-3 36"x36"



W6-1 36"x36"  
24"x18"



W6-2 36"x36"  
24"x18"



W6-3 30"x30"  
24"x18"  
W6-3-A 36"x36"  
24"x18"  
W6-3-B 48"x48"  
24"x18"



W7-1 30"x30"  
24"x18"  
W7-1-A 36"x36"  
24"x18"



W7-2 24"x18"



W8-1 30"x30"  
W8-1-A 36"x36"



W8-2 30"x30"  
W8-2-A 36"x36"



W8-3 30"x30"  
W8-3-A 36"x36"



W8-4 30"x30"  
W8-4-A 36"x36"



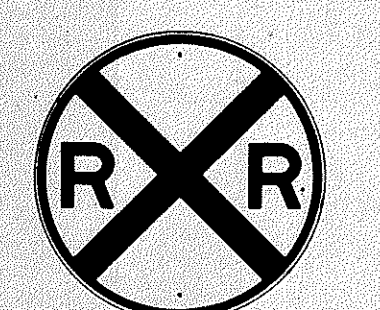
W8-5 30"x30"  
24"x18"  
W8-5-A 36"x36"  
24"x18"



W9-1(R) 30"x30"  
W9-1(R)-A 36"x36"  
W9-1(R)-B 48"x48"



W9-2(L) 36"x36"  
W9-2(L)-A 48"x48"



W10-1 36" Diameter



W11-1 30"x30"  
24"x18"  
W11-1-A 36"x36"  
24"x18"



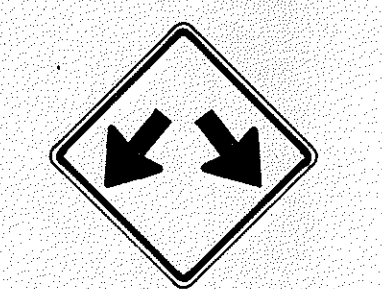
W11-2 30"x30"  
24"x18"  
W11-2-A 36"x36"  
24"x18"



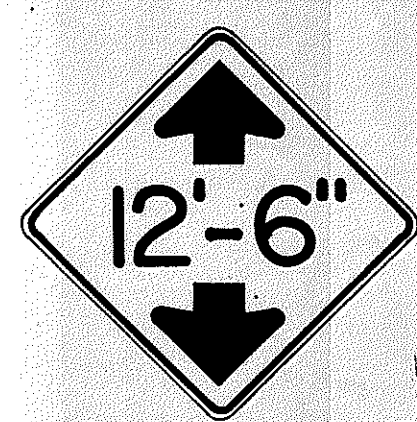
W11-4 30"x30"  
24"x18"  
W11-4-A 36"x36"  
24"x18"



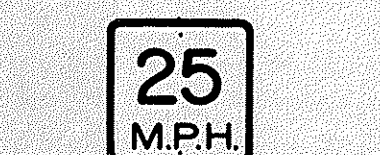
W11-5 30"x30"  
24"x18"  
W11-5-A 36"x36"  
24"x18"



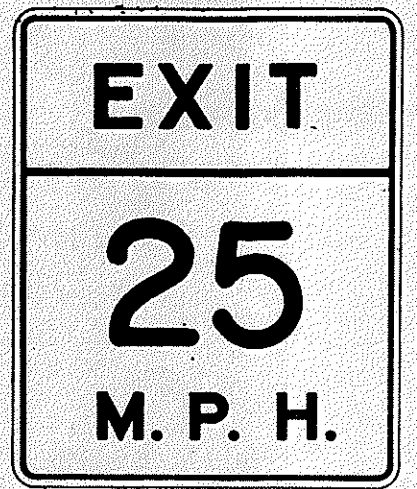
W12-1 24"x24"  
W12-1-A 36"x36"  
W12-1-B 48"x48"



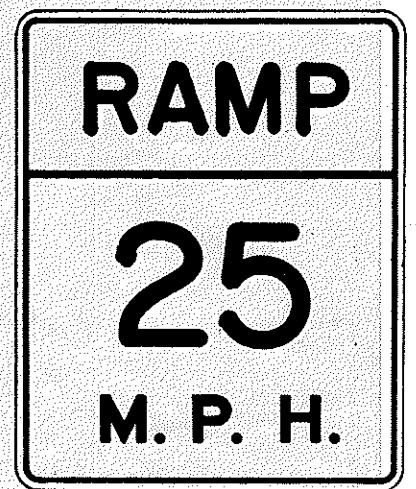
W12-2(12'-6") 36"x36"  
24"x18"



W13-1(25) 18"x18"  
W13-1(25)-A 24"x24"



W13-2(25) 48"x60"



W13-3(25) 48"x60"



W14-1 30"x30"



W14-3 36"x48"x48"

**GENERAL NOTES**

1. Sign details shall conform to the FHWA publications "Manual on Uniform Traffic Control Devices for Streets and Highways," 1971, and "Standard Highway Signs," 1972, and as amended.
2. All warning signs shall be reflectorized unless otherwise specified.
3. All warning signs shall have 3/8" bolt holes drilled at appropriate locations.
4. Numerals in ( ) indicates numerals to be inserted for sign message. (R) or (L) indicates right or left.
5. Signs prefixed with "CW" on the plans shall indicate reflectorized orange and black construction signs.

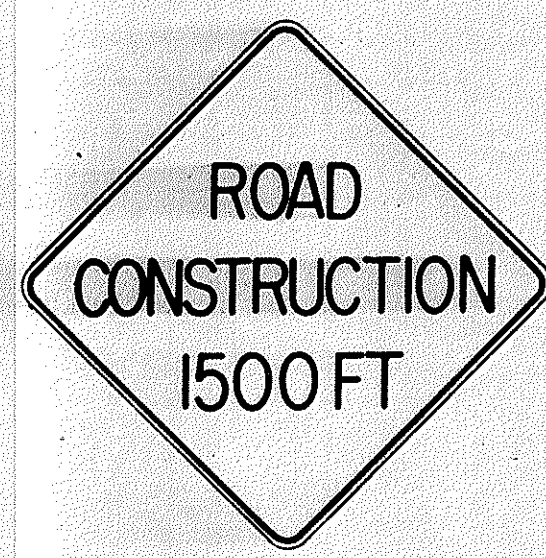
DATE	_____
ORIGINAL PLAN	_____
DRAWN BY	_____
DESIGNED BY	_____
QUANTITIES BY	_____
CHECKED BY	_____
No.	_____

STATE OF HAWAII  
DEPARTMENT OF TRANSPORTATION  
HIGHWAYS DIVISION

**TYPICAL DETAILS**  
**WARNING SIGNS**

PROJECT BR-F-080-1(7)  
NOT TO SCALE AUGUST 1976  
SHEET No. 5 OF 13 SHEETS

FED. ROAD DIST. NO.	STATE	FED. AID PROJ. NO.	FISCAL YEAR	SHEET NO.	TOTAL SHEETS
HAWAII	HAW.	BR-F-080-1(7)	1977	47	165



CW20-1a 48" x 48"



CW20-2d 48" x 48"



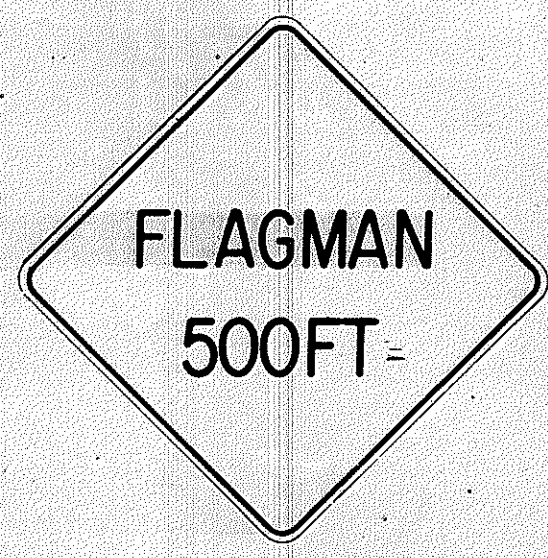
CW20-3b 48" x 48"



CW20-4d 48" x 48"



CW20-5d(L) 48" x 48"



CW20-7c 48" x 48"



CW21-1 30" x 30"



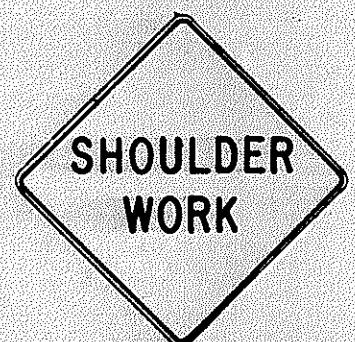
CW21-2 30" x 30"



CW21-3 36" x 36"



CW21-4 36" x 36"



CW21-5 30" x 30"



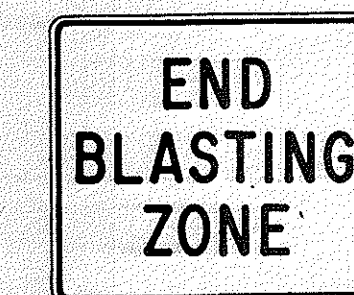
CW21-6 30" x 30"



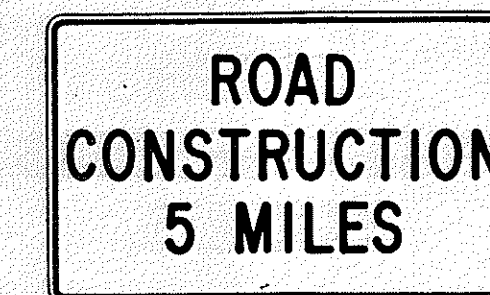
CW22-1b 48" x 48"



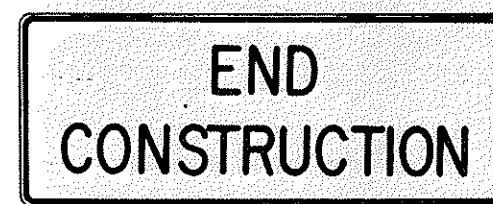
CW22-2 42" x 36"



CW22-3 42" x 36"



CG20-1(5) 60" x 36"



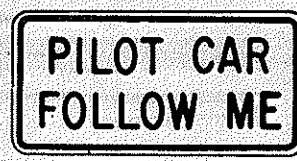
CG20-2 60" x 24"



CM4-9(R) 30" x 24"



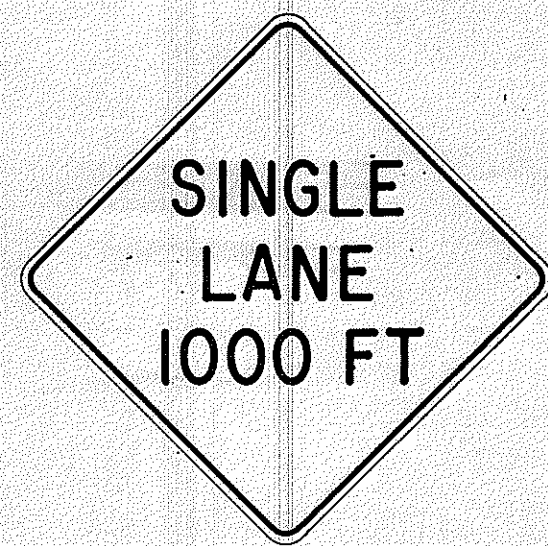
CM4-10(R) 48" x 18"



CG20-4 36" x 18"



CW23-1 36" x 36"



CW23-2b 48" x 48"



CW23-3(R) 48" x 48"

**GENERAL NOTES**

1. Sign details shall conform to the FHWA publications "Manual on Uniform Traffic Control Devices for Streets and Highways," 1971, and "Standard Highway Signs," 1972, and as amended.
2. All construction signs shall be reflectorized with high intensity reflective sheeting.
3. All construction signs shall have 3/8" bolt holes drilled at appropriate locations.
4. Numerals in ( ) indicates numerals to be inserted for sign message. (R) or (L) indicates right or left.
5. For "CW" series signs, suffixes a, b, c and d are as follows:  
a-1500 FT, b-1000 FT, c-500 FT and d-AHEAD.

APPROVAL RECOMMENDED

TRAFFIC ENGINEER

APPROVED

ASSISTANT CHIEF, ENGINEER

NO.	REVISION	APPROVED BY	DATE
1	Supersedes Sht. DT 104	H. J. ...	...
2	Approved	...	...
3	Revised General Note 2	...	...

STATE OF HAWAII  
DEPARTMENT OF TRANSPORTATION  
HIGHWAYS DIVISION

**TYPICAL DETAILS**  
**CONSTRUCTION SIGNS**

PROJECT BR-F-080-1(7)  
NOT TO SCALE AUGUST 1976  
SHEET No. 6 OF 13 SHEETS DT 104

DATE	BY
DESIGNED BY	...
QUANTITIES BY	...
CHECKED BY	...
ORIGINAL PLAN	...
NOTE BOOK	...
No.	...

FED. ROAD DIST. NO.	STATE	FED. AID PROJ. NO.	FISCAL YEAR	SHEET NO.	TOTAL SHEETS
HAWAII	HAW.	BR-F-080-1(7)	1977	50	105

MARKER SIZE	MULTIPLY DIMENSIONS BY	NUMERAL SIZE
		2 Digit - Series D 3 Digit - Series C
21"	1.3	8"
32"	2.0	12"
42"	2.63	16"



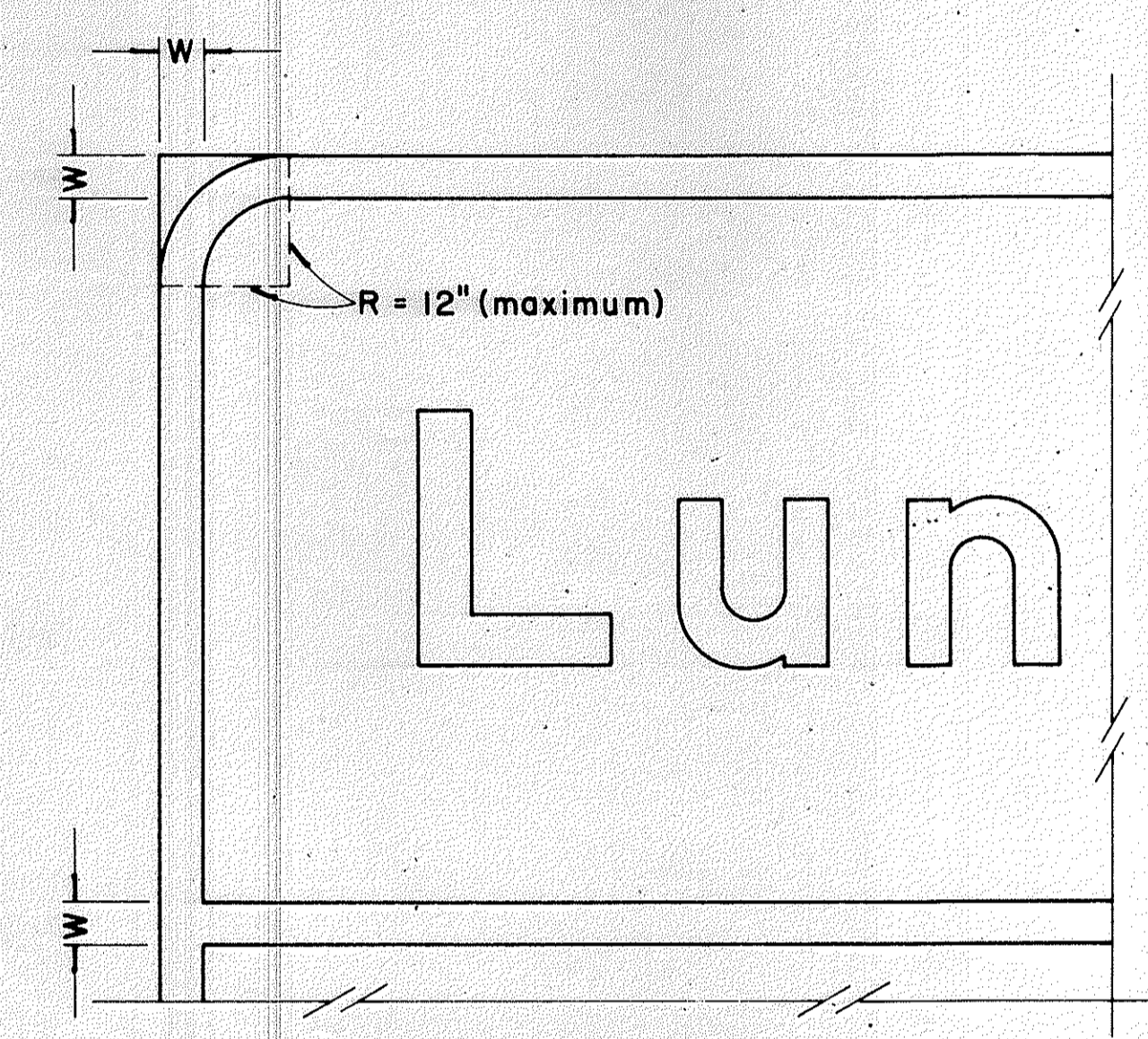
**STATE ROUTE MARKER  
FOR GUIDE SIGNS**

Scale: Half Size

**NOTE:**

1. State Route Markers on Guide signs shall have black numerals on a white reflectorized background mounted on a flat aluminum cut-out.
2. Numerals shall conform to the FHWA publication "Standard Alphabets for Highway Signs," 1966.
3. Cut-outs shall be fastened on sign panel with aluminum blind rivets. See Standard Specifications.

RADII FOR SIGNS		
Least Dimension of Sign	W	R
2'-0" to 4'-6"	2"	3"
4'-9" to 5'-6"	2"	6"
5'-9" to 7'-6"	2"	9"
7'-9" and greater	2"	12"



**BORDER DETAIL  
FOR GUIDE SIGNS**

Not to Scale

**NOTE:**

1. Area outside corner radius need not be trimmed.
2. All borders shall be white reflectorized cut-outs.
3. All Guide signs shall have borders.

DATE	_____
DESIGNED BY	_____
CHECKED BY	_____
QUANTITIES BY	_____
PLACED BY	_____
TRACED BY	_____
FLATTED BY	_____
ORIGINAL PLAN	_____

APPROVED

STATE OF HAWAII  
DEPARTMENT OF TRANSPORTATION  
HIGHWAYS DIVISION

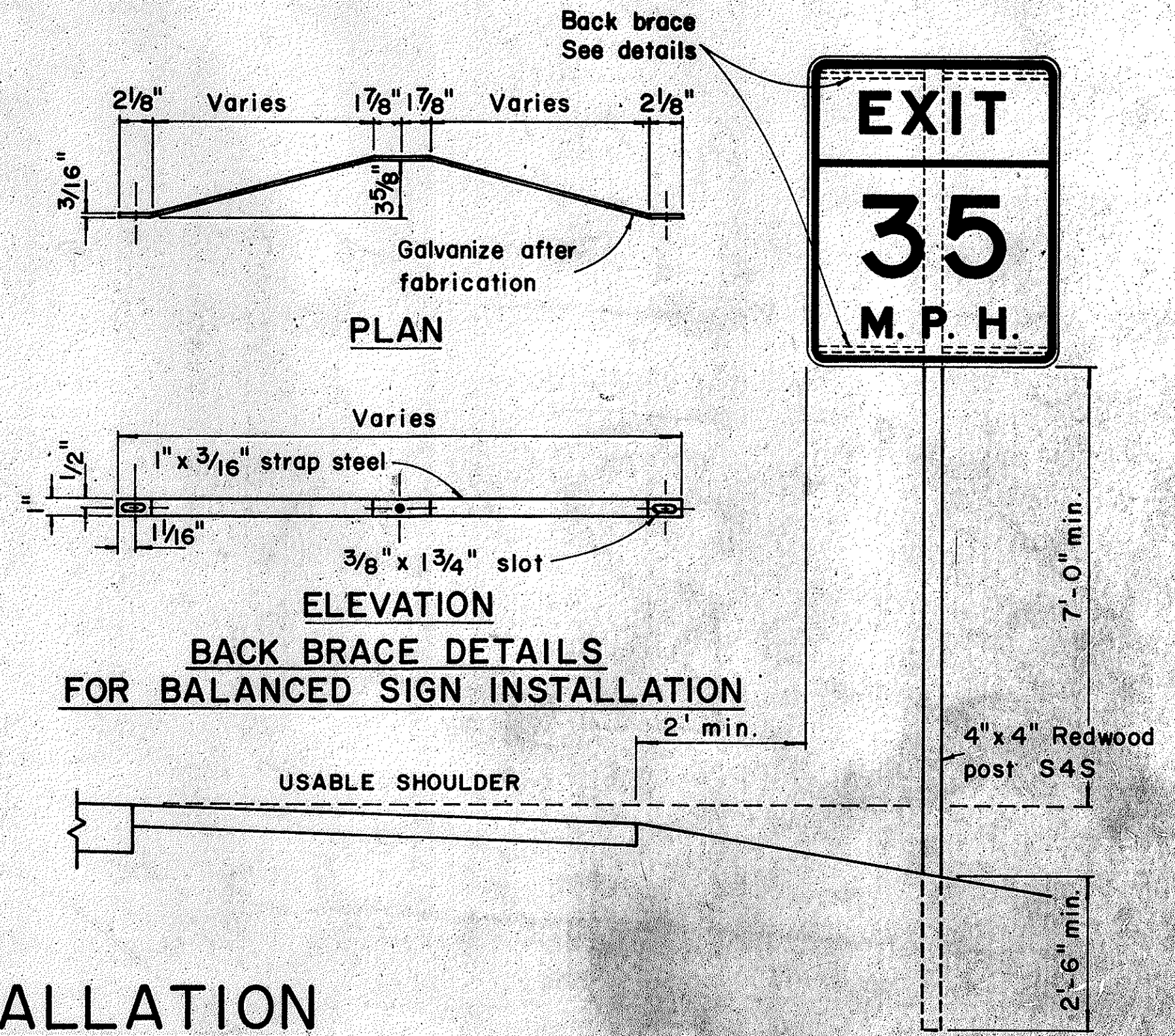
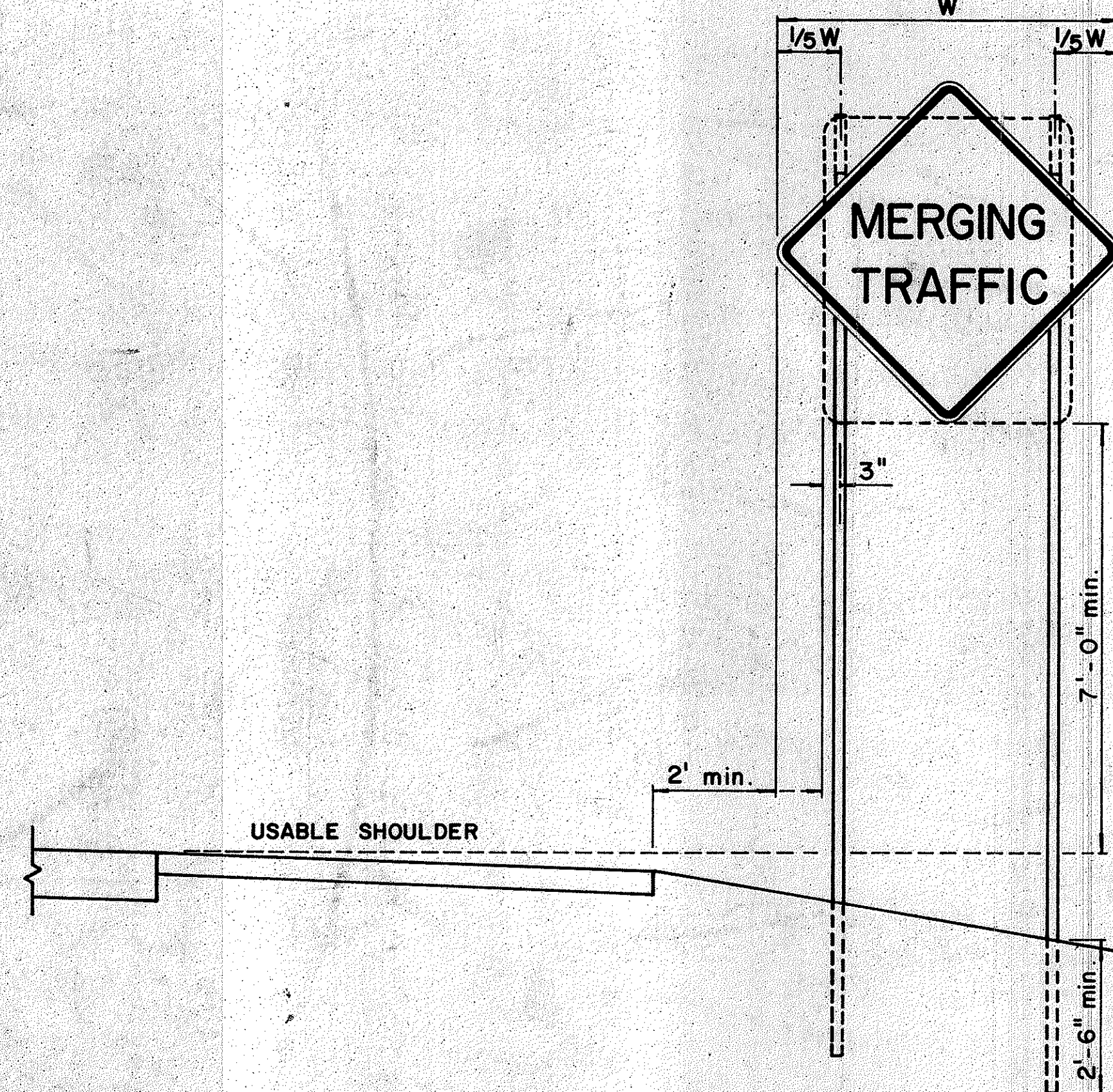
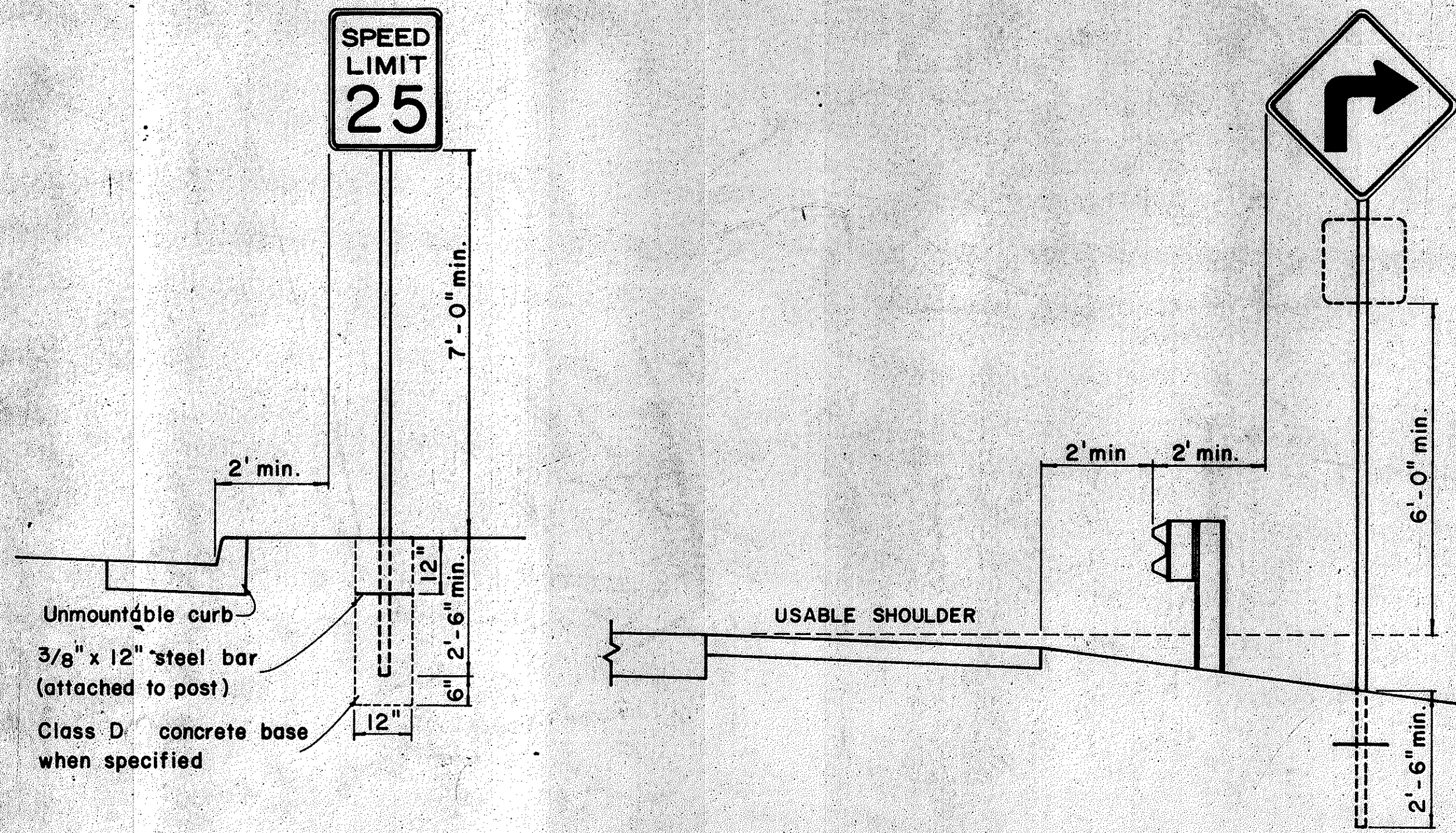
**TYPICAL DETAILS**

**STATE ROUTE MARKER  
AND BORDER DETAIL  
FOR GUIDE SIGNS**

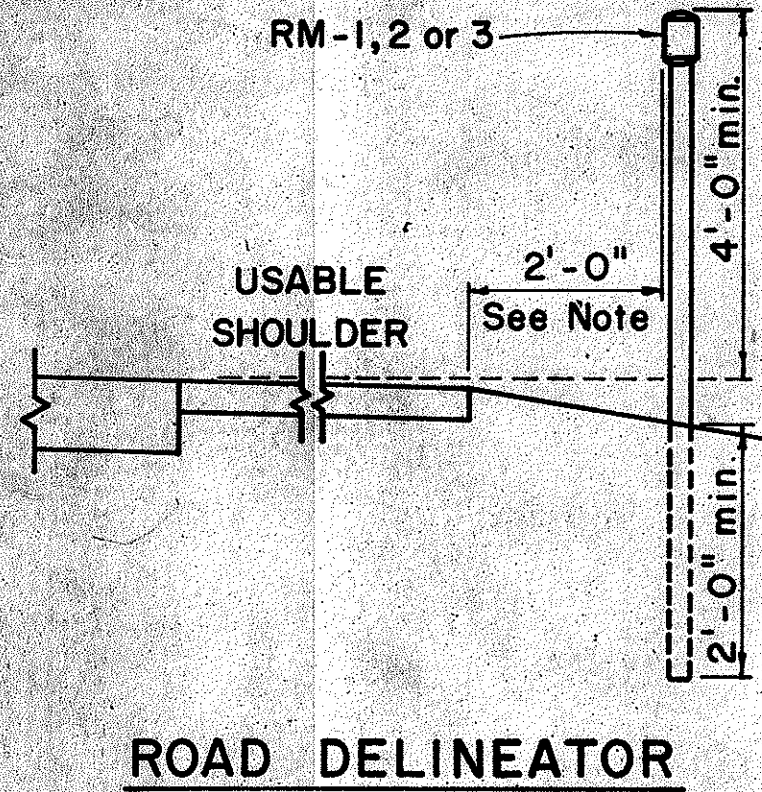
PROJECT NO. BR-F-080-1(7)  
Scale: As Shown AUGUST 1976

SHEET No. 7 OF 13 SHEETS

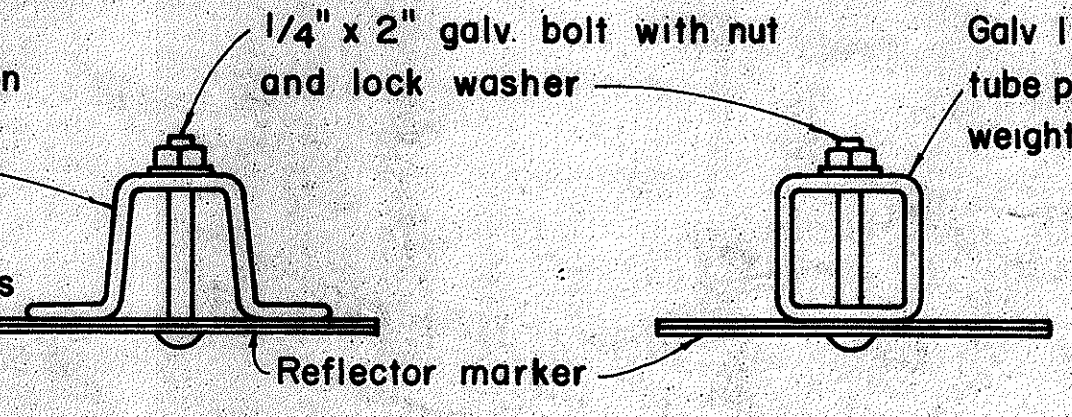
FED. ROAD DIST. NO.	STATE	FED. AID PROJ. NO.	FISCAL YEAR	SHEET NO.	TOTAL SHEETS
HAWAII	HAW.	BR-F-080-1(C)	1977	51	165



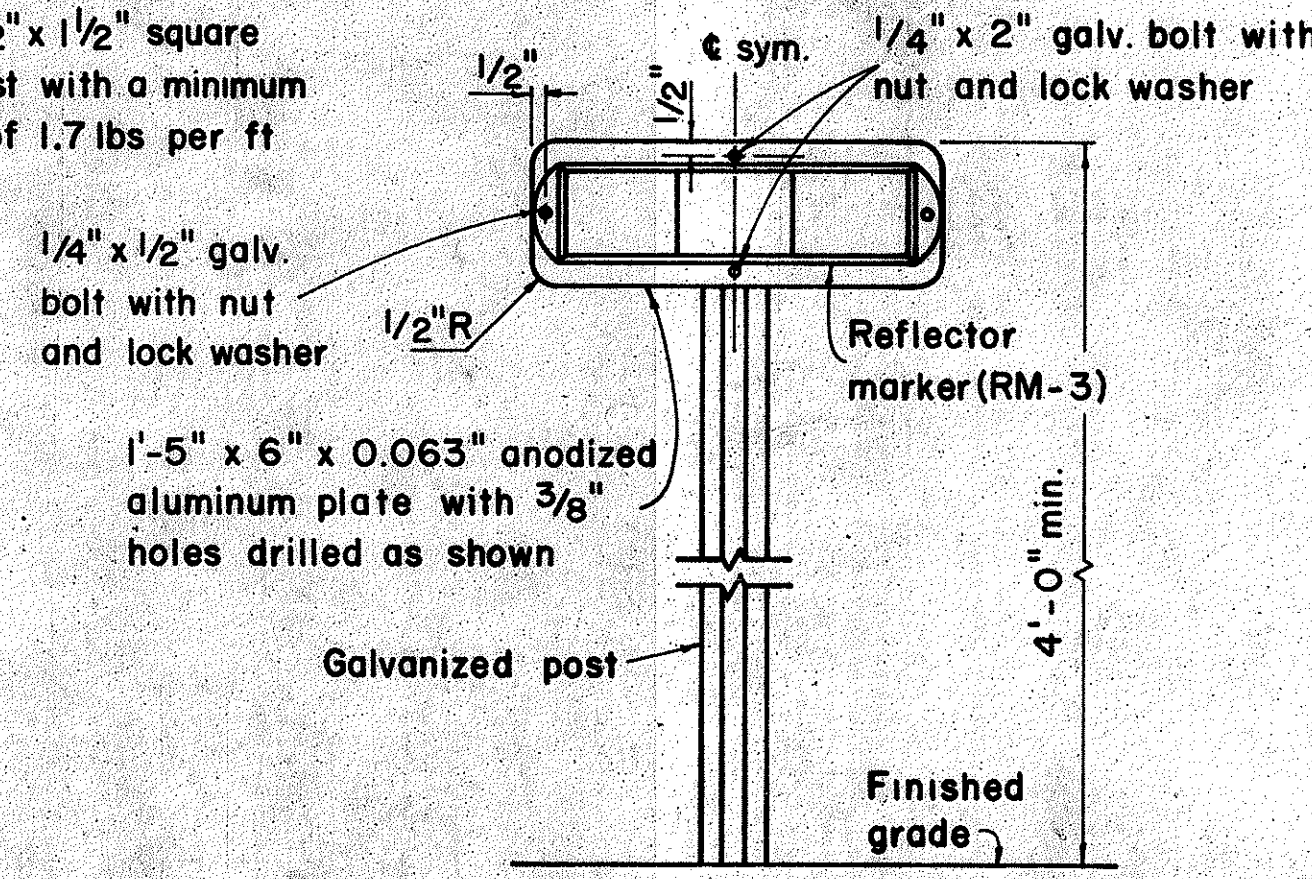
### HEIGHT AND LATERAL LOCATION OF SIGNS - TYPICAL INSTALLATION



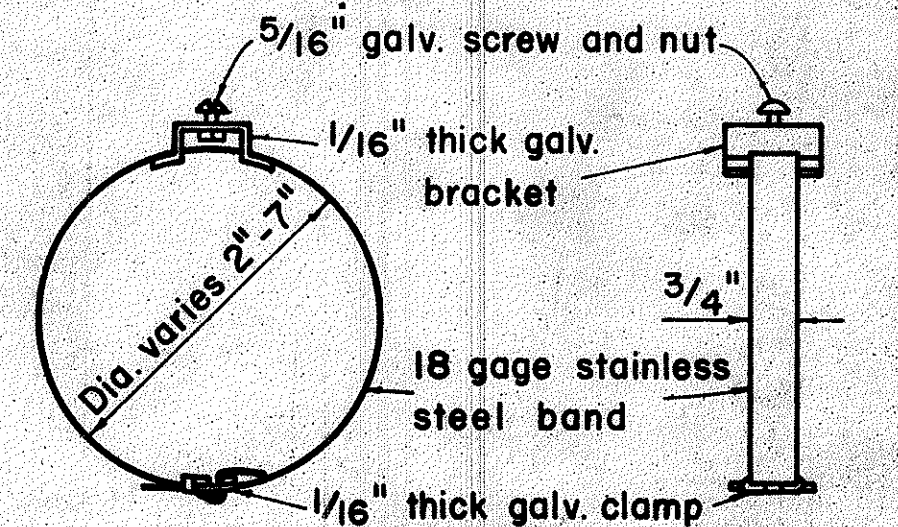
Galv. flanged channel 1/8" x 3/16" rolled section post with a minimum weight of 2 lbs. per ft.. Upper 2 ft. shall have a single row of 3/8" holes centered in the web at 1" o.c.



TYPICAL SECTION OF ROAD DELINEATOR



TYPICAL DETAIL HORIZONTAL REFLECTOR MARKER RM-3H

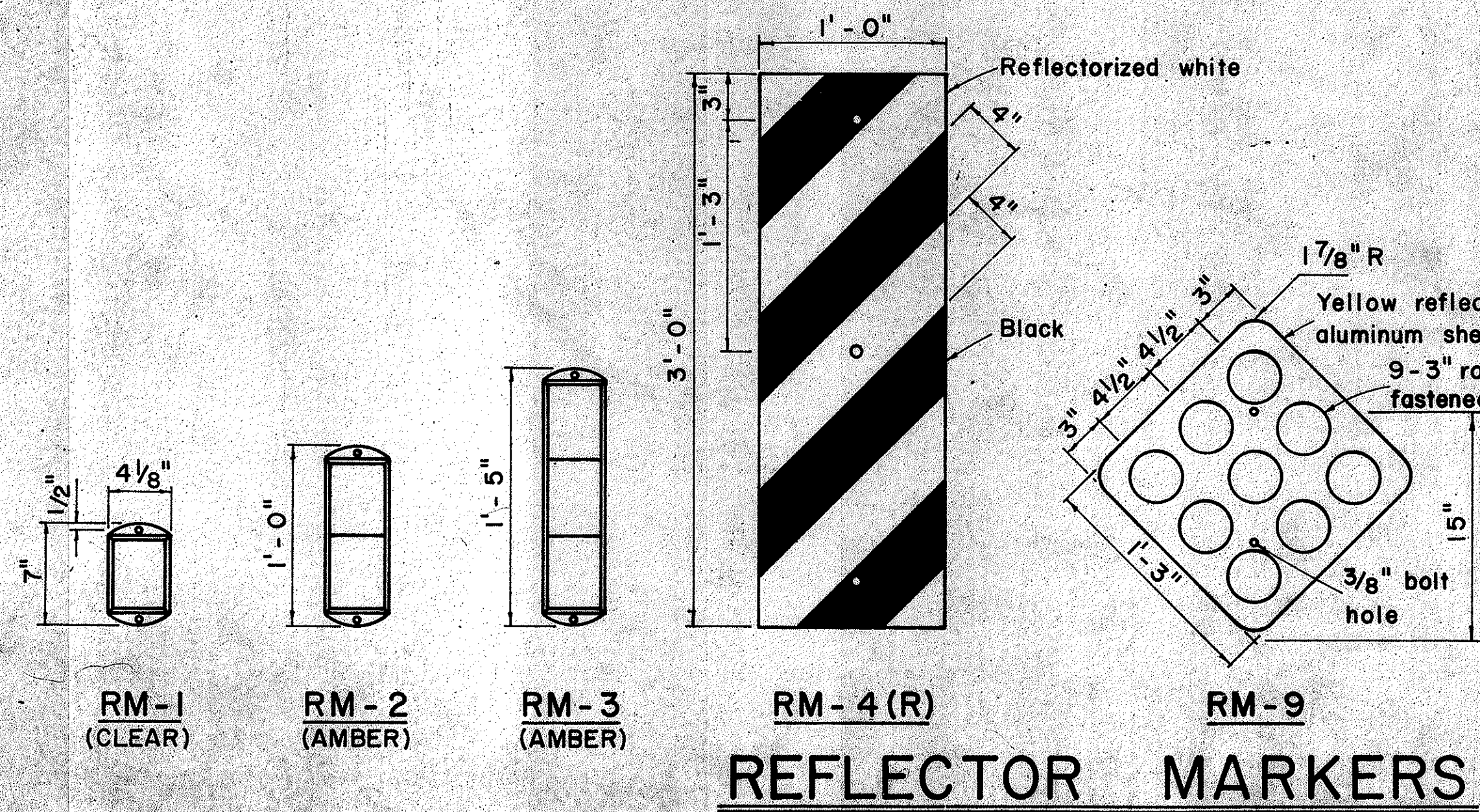


TYPICAL BAND BRACKET FOR MOUNTING TRAFFIC SIGNS

- GENERAL NOTES:**
- Sign posts shall be 2" galv. standard pipe or 2" x 2" galv. sq. tube post.
  - Signs 48" and wider or larger than 10 sq. ft. in area shall be mounted on two 2" galv. standard pipe or two 2" x 2" galv. sq. tube post or 4" x 4" redwood post S4S.
  - Signs shall be attached to post with 5/16" galv. bolts with nuts and 7/8" x 0.063" stainless steel washers with neoprene rubber gasket.
  - Sign posts shall extend 3 1/2" above sign where required for City and County street name signs.
  - Reflector markers RM-1, 2, 3 shall be glass sphere reflector markers with 4" x 5" reflector units (as shown) or plastic prismatic reflector markers with 3" diameter reflector units.
  - Clearance markers (RM-3, RM-4) shall be installed with the edge of the marker in line with the inner edge of the obstruction.
  - (R) or (L) indicates right or left and shall be as shown on the plans.

APPROVAL RECOMMENDED:  
*Eiichi Tanaka* 12/29/69  
 TRAFFIC ENGINEER DATE

APPROVED:  
*John J. S. S.* 12-30-69  
 ASSISTANT CHIEF, ENGINEERING DATE



REFLECTOR MARKERS

NO.	REVISION	APPROVED BY	DATE

STATE OF HAWAII  
 DEPARTMENT OF TRANSPORTATION  
 HIGHWAYS DIVISION

**STANDARD DETAILS**  
 MISCELLANEOUS SIGN DETAILS

Not to scale March, 1968

SHEET No. 8 OF 13 SHEETS DT 100

SURVEY PLATTED BY  
 DRAWN BY  
 NOTE BOOK  
 QUANTITIES BY  
 CHECKED BY

FED. ROAD DIST. NO.	STATE	FED. AID PROJ. NO.	FISCAL YEAR	SHEET NO.	TOTAL SHEETS
HAWAII	HAW.	BR-F-0801(1)	1977	52	105

R1-1 30" x 30"  
R1-1-A 36" x 36"  
4-WAY  
R1-3 12" x 6"  
R1-3-A 18" x 9"

R1-2 36" x 36" x 36"  
R1-2-A 48" x 48" x 48"

R2-1(50) 24" x 30"  
R2-1(50)-A 48" x 60"

R2-2(40) 24" x 24"  
R2-2(40)-A 48" x 48"

R2-4a(50/40) 24" x 48"  
R2-4a(50/40)-A 48" x 96"

R2-5b(30) 24" x 30"  
R2-5b(30)-A 48" x 60"

R3-1 24" x 24"  
24" x 18"  
R3-1-A 48" x 48"  
48" x 36"

R3-2 24" x 24"  
24" x 18"  
R3-2-A 48" x 48"  
48" x 36"

R3-3 24" x 24"  
R3-3-A 48" x 48"

R3-4 24" x 24"  
24" x 18"  
R3-4-A 48" x 48"  
48" x 36"

R3-5(L) 30" x 36"  
R3-5(L)-A 48" x 60"

R3-6(L) 30" x 36"  
R3-6(L)-A 48" x 60"

R3-7(R) 30" x 30"  
R3-7(R)-A 48" x 48"

R3-8(L) 30" x 30"  
R3-8(L)-A 36" x 36"  
R3-8(L)-B 48" x 48"

R3-9 24" x 30"

R4-1 24" x 30"

R4-2 24" x 30"

R4-3 24" x 30"  
R4-3-A 48" x 60"

R4-5 24" x 30"

R4-6(500) 24" x 30"

R4-7 24" x 30"  
24" x 18"

R4-8 24" x 30"  
24" x 18"

R5-1 30" x 30"  
R5-1-A 48" x 48"

R5-2 24" x 24"  
24" x 18"

R5-4 24" x 30"

R5-6 24" x 24"  
24" x 16"

R5-9 36" x 24"

R6-1(R) 36" x 12"

R6-2(R) 18" x 24"

R7-1 12" x 18"  
R7-1-A 24" x 30"

R7-4 12" x 18"  
R7-4-A 24" x 30"

R7-107(R) 12" x 18"

R7-108 12" x 18"

R7-201 12" x 6"  
R7-201-A 24" x 12"

R8-1 24" x 30"

R8-2 24" x 30"

R8-3 24" x 30"

R8-4 30" x 24"  
R8-4-A 48" x 36"

R8-5 24" x 30"

R8-6 24" x 30"

R8-7 30" x 24"  
R8-7-A 48" x 36"

R9-1 18" x 24"

R9-2 12" x 18"

R9-3 12" x 18"

R9-4 18" x 24"

R10-1 12" x 18"

R10-2 12" x 18"

R10-3 9" x 12"

R10-4 9" x 12"

R10-5 24" x 30"

R10-6 24" x 36"

R10-7 24" x 30"

R10-8 24" x 30"

R10-9 24" x 30"

R10-10 24" x 30"

R11-1 24" x 30"

R11-2 48" x 30"

R11-3(10) 60" x 30"

R11-4 60" x 30"

R12-1(10) 24" x 30"

**GENERAL NOTES**

- Sign details shall conform to the FHWA publications "Manual on Uniform Traffic Control Devices for Streets and Highways," 1971, and "Standard Highway Signs," 1972, and as amended.
- All regulatory signs shall be reflectorized unless otherwise specified.
- All regulatory signs shall have 3/8" bolt holes drilled at appropriate locations.
- Numerals in ( ) indicates numerals to be inserted for sign message. (R) or (L) indicates right or left.

APPROVAL RECOMMENDED:  
*Eishi Tanaka* 3/17/72  
TRAFFIC ENGINEER DATE

APPROVED:  
*Valent Dabala* 3-20-72  
ASSISTANT CHIEF, ENGINEERING DATE

NO.	REVISION	APPROVED BY	DATE
1	Supersedes Sht. DT 101 Approved 12-30-69	H.C.	3/20/72
2	Revised General Note 1.	H.C.	10/10/74

STATE OF HAWAII  
DEPARTMENT OF TRANSPORTATION  
HIGHWAYS DIVISION

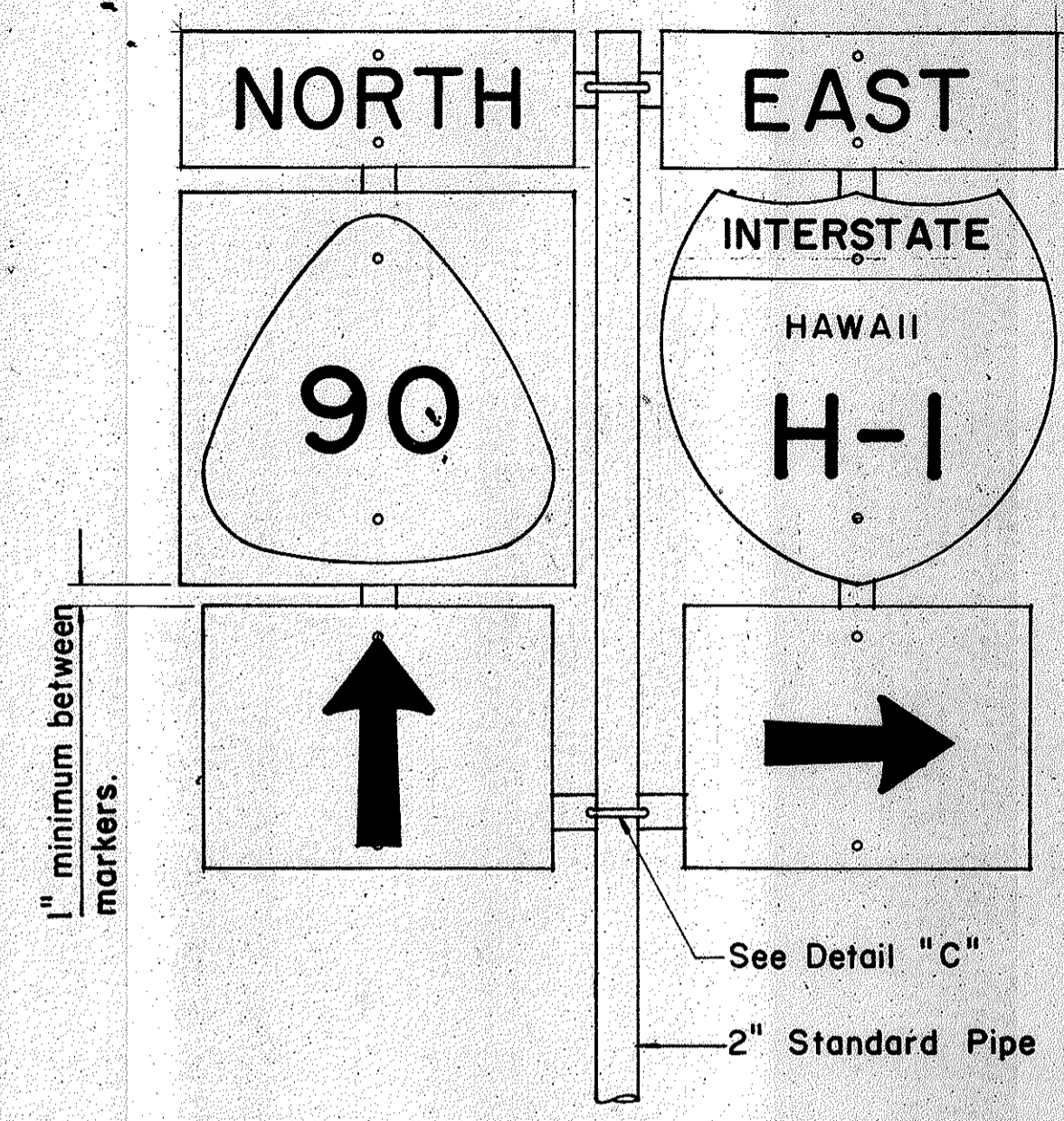
**STANDARD DETAILS**  
**REGULATORY SIGNS**

NOT TO SCALE  
SHEET No. 9 OF 13 SHEETS DT 101

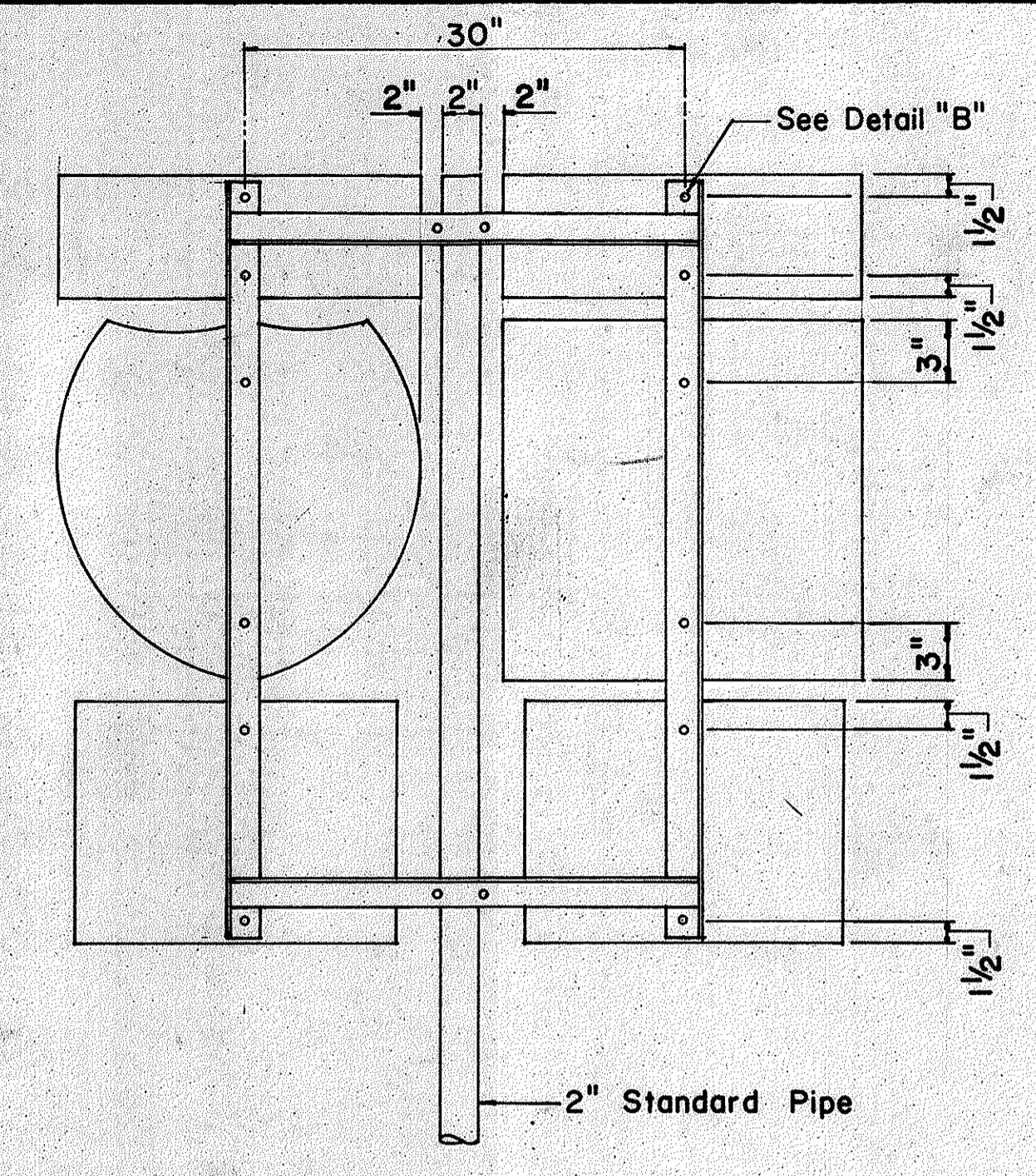
DATE  
SURVEY PLOTTED BY  
DRAWN BY  
TRACED BY  
DESIGNED BY  
CHECKED BY  
NOTE BOOK  
No.



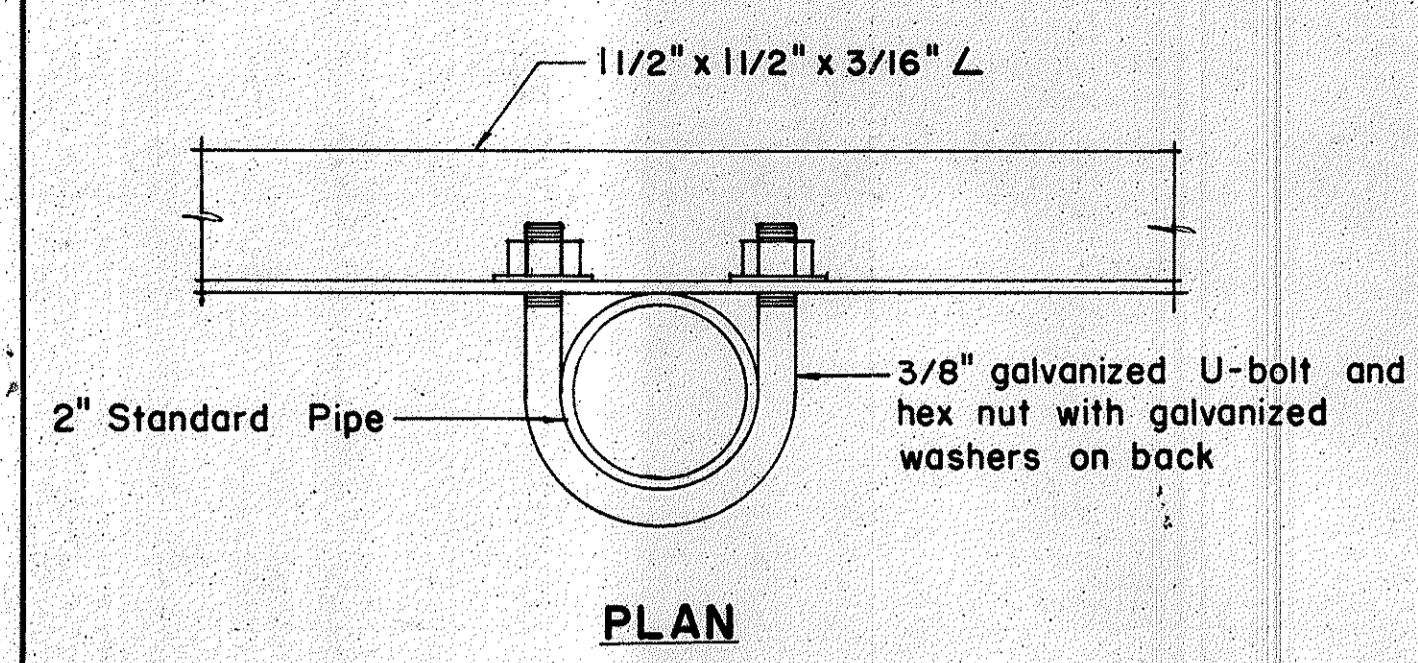
FED. ROAD DIST. NO.	STATE	FED. AID PROJ. NO.	FISCAL YEAR	SHEET NO.	TOTAL SHEETS
HAWAII	HAW.	BRE-080-1(7)	1977	54	105



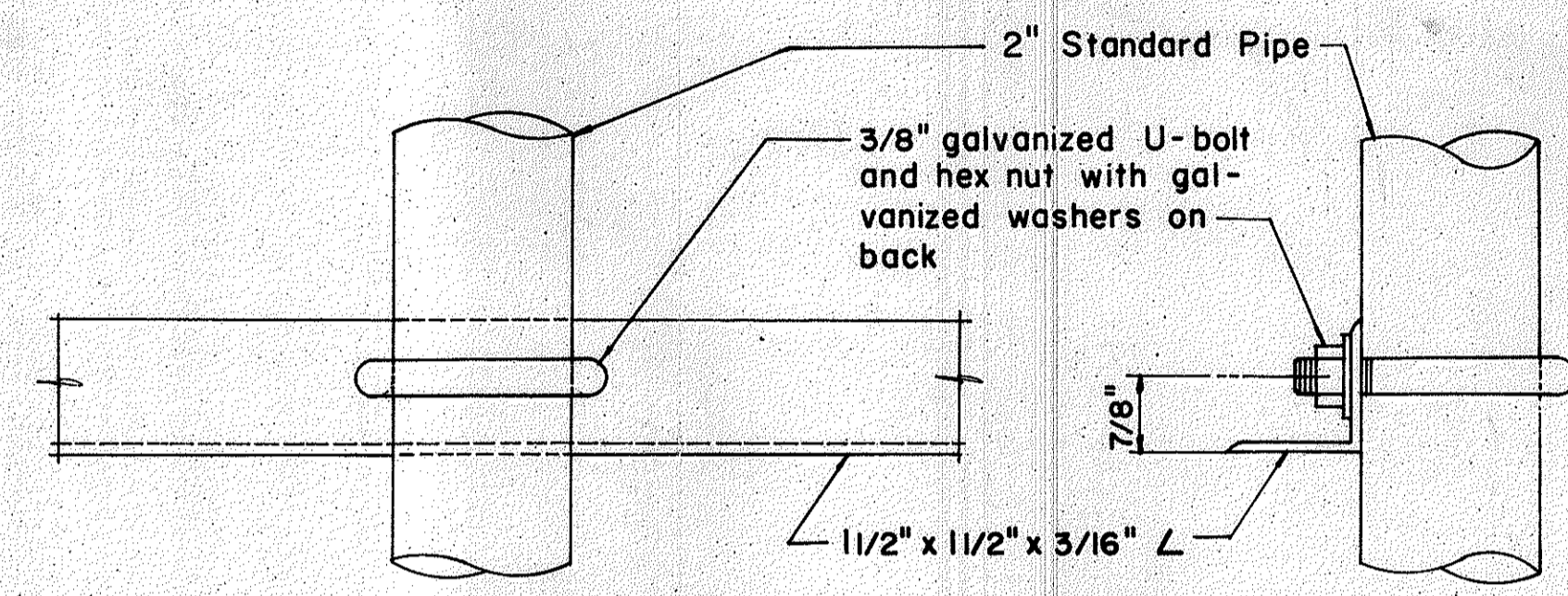
**FRONT ELEVATION**  
**TYPE "B" ASSEMBLY**  
Not to Scale



**REAR ELEVATION**  
**NOTE:**  
1. Minimum clearance between markers shall be one inch. (Larger clearances shall be in multiples of one inch.)  
2. Pipe post for Type "A" & Type "B" Assembly shall be 2" Standard Pipe.



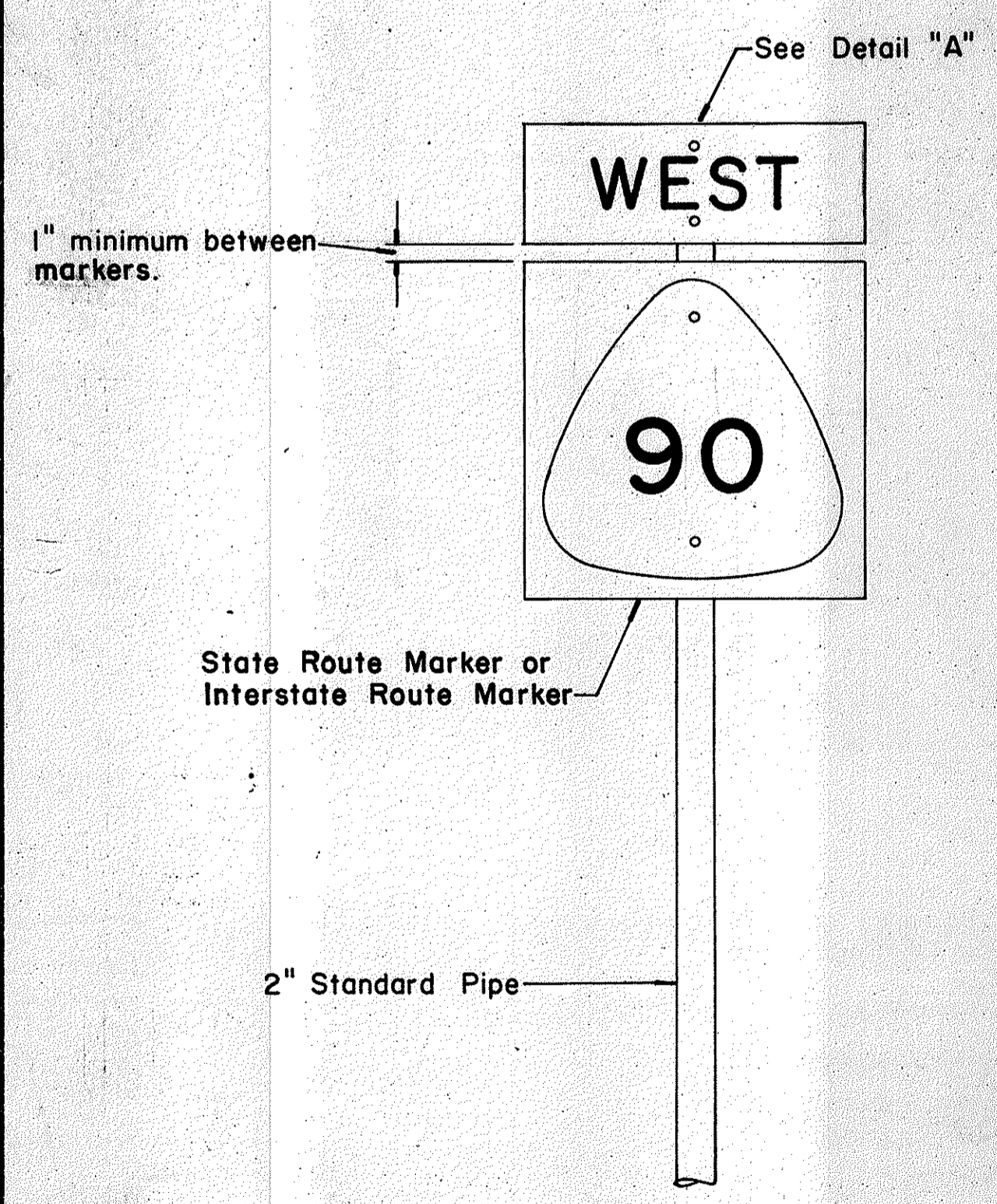
**PLAN**



**FRONT ELEVATION**

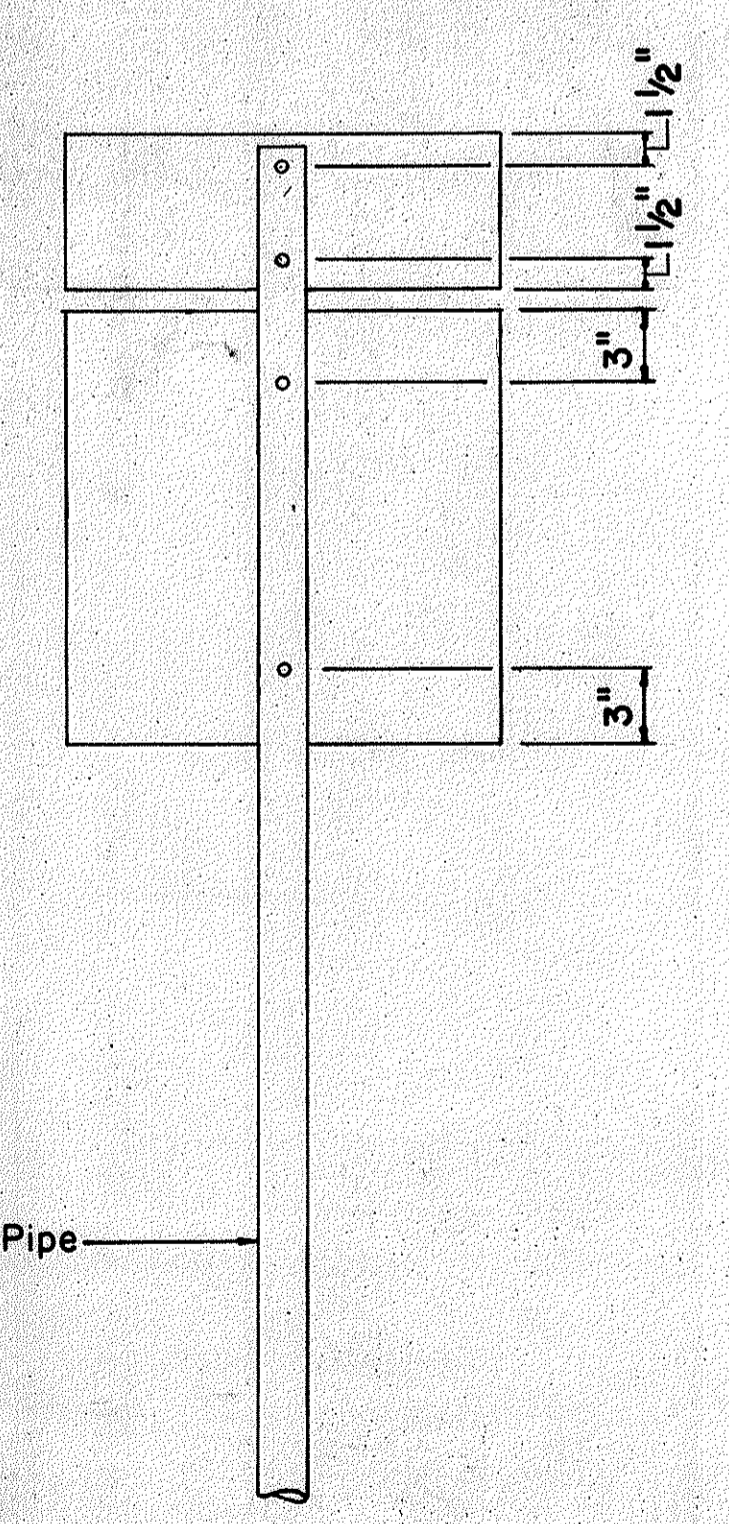
**SIDE ELEVATION**

**DETAIL "C"**



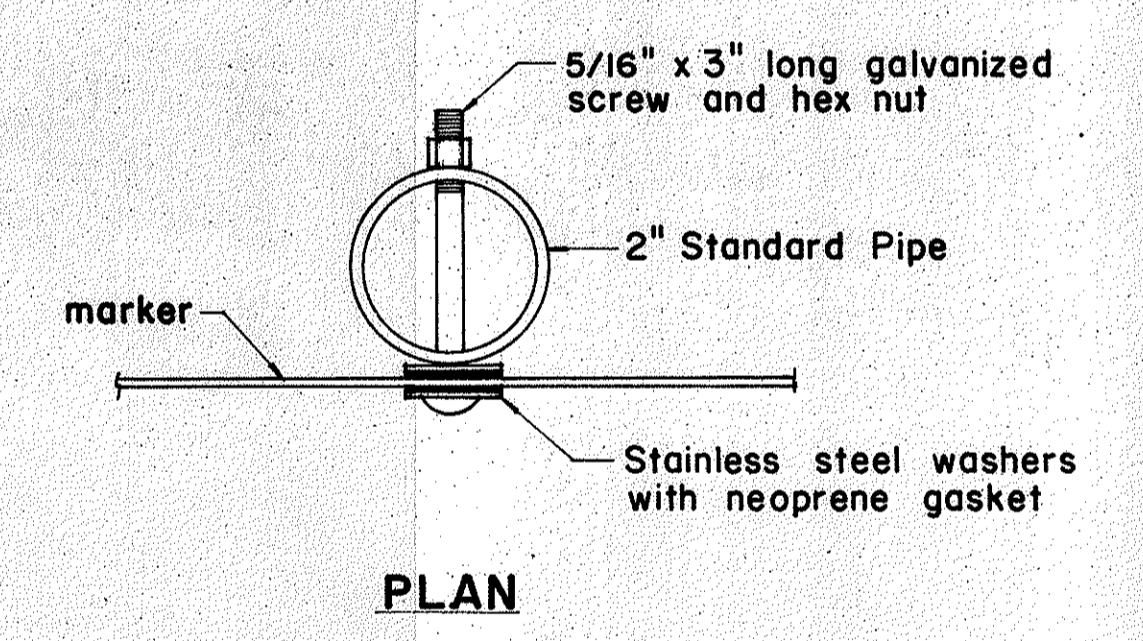
**FRONT ELEVATION**

**TYPE "A" ASSEMBLY**  
Not to Scale

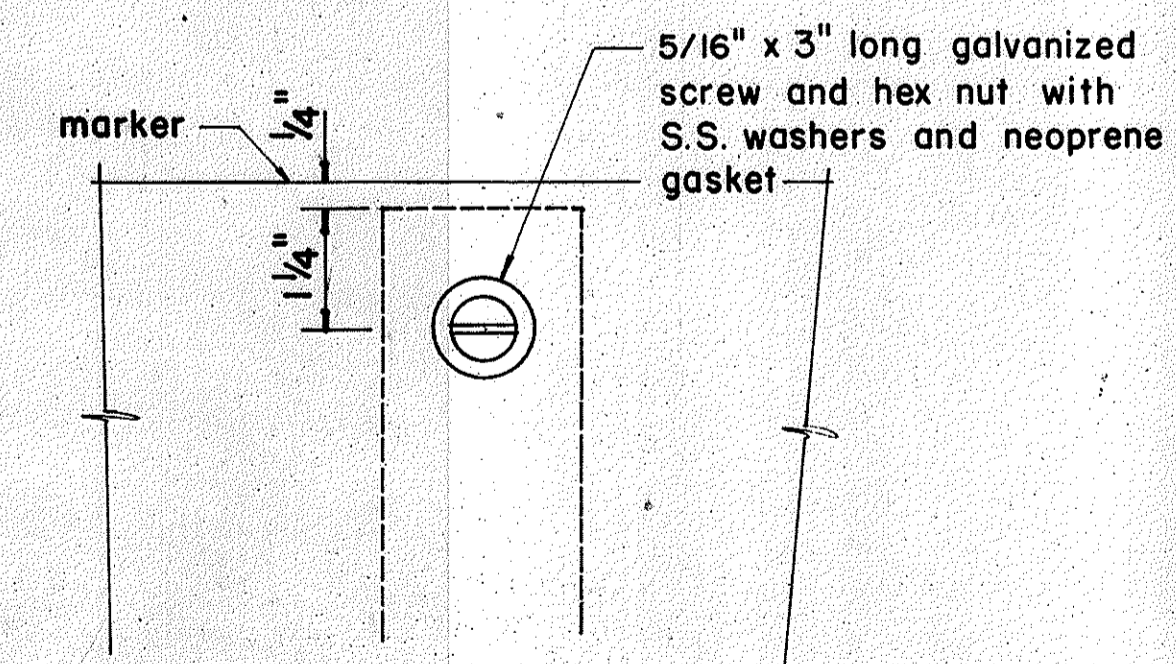


**REAR ELEVATION**

**NOTE:**  
For height and lateral location of Route Marker Assembly, see plan sheet DT 100.

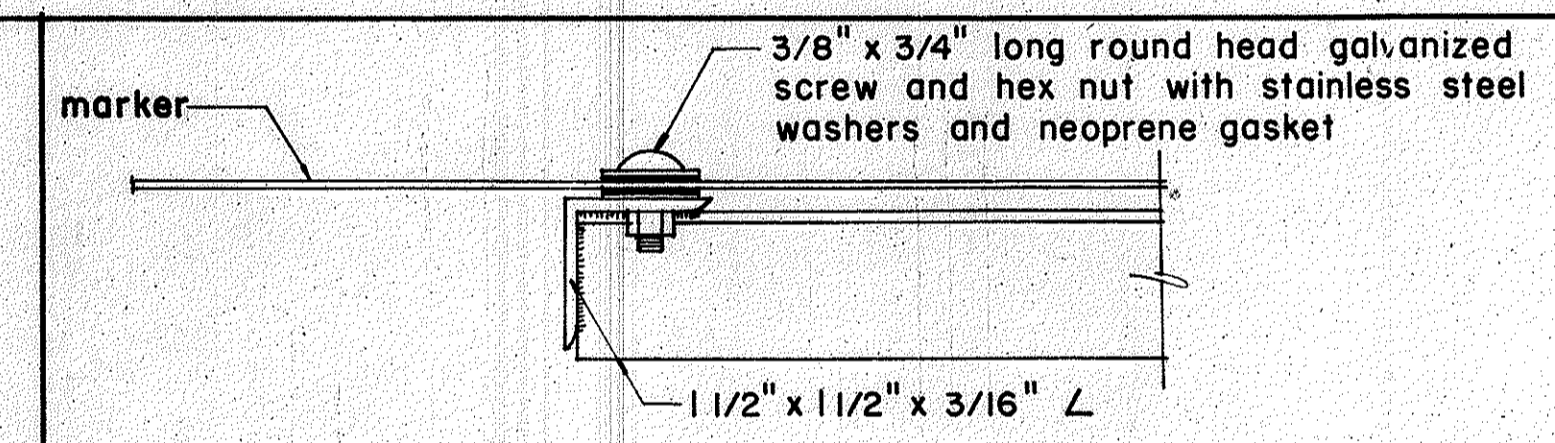


**PLAN**

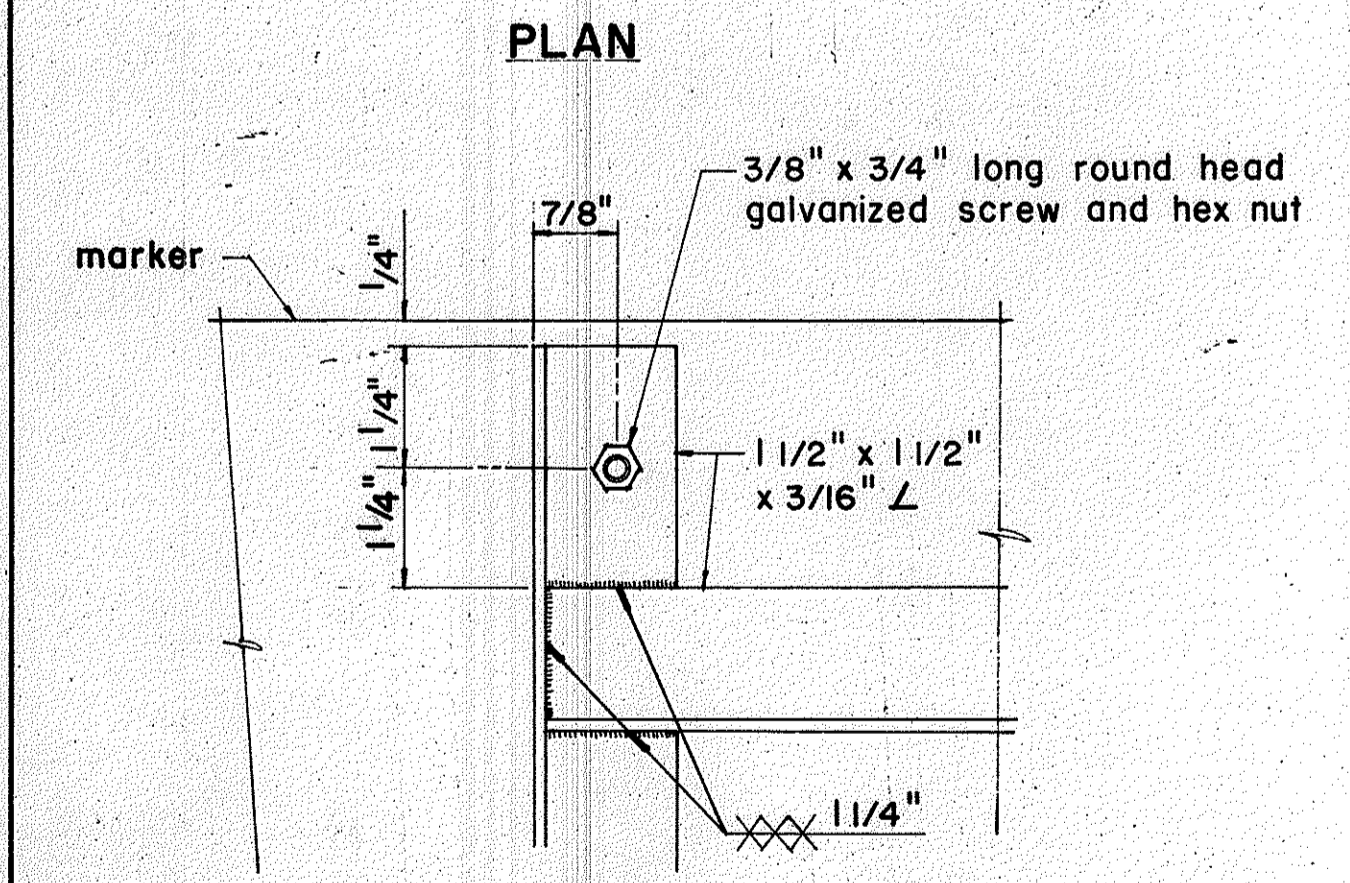


**FRONT ELEVATION**

**DETAIL "A"**

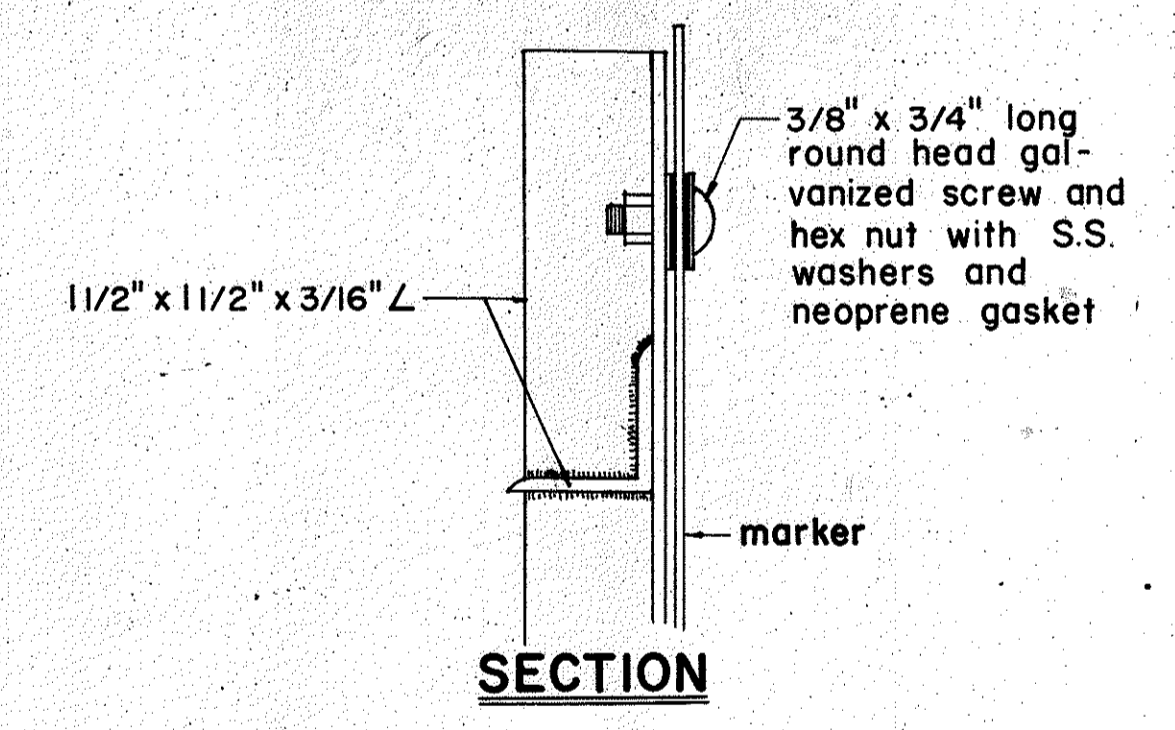


**PLAN**



**ELEVATION**

**DETAIL "B"**



**SECTION**

APPROVAL RECOMMENDED:  
*E. J. Tanaka* 12/29/69  
TRAFFIC ENGINEER DATE

APPROVED:  
*Shane S. Sater* 12-30-69  
ASSISTANT CHIEF, ENGINEERING DATE

NO.	REVISION	APPROVED BY	DATE
1	Revisions to Route Marker Assemblies.	H.T.	6/1/72

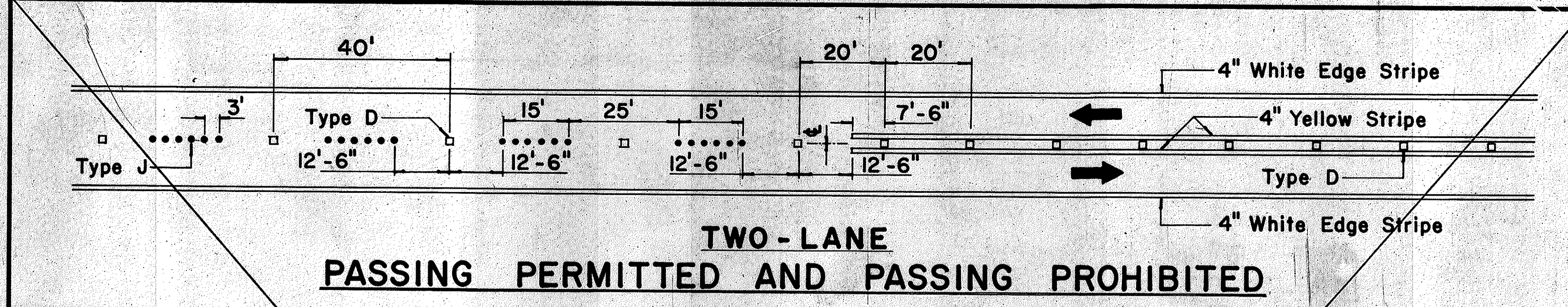
STATE OF HAWAII  
DEPARTMENT OF TRANSPORTATION  
HIGHWAYS DIVISION

**STANDARD DETAILS**  
**ROUTE MARKER ASSEMBLIES**

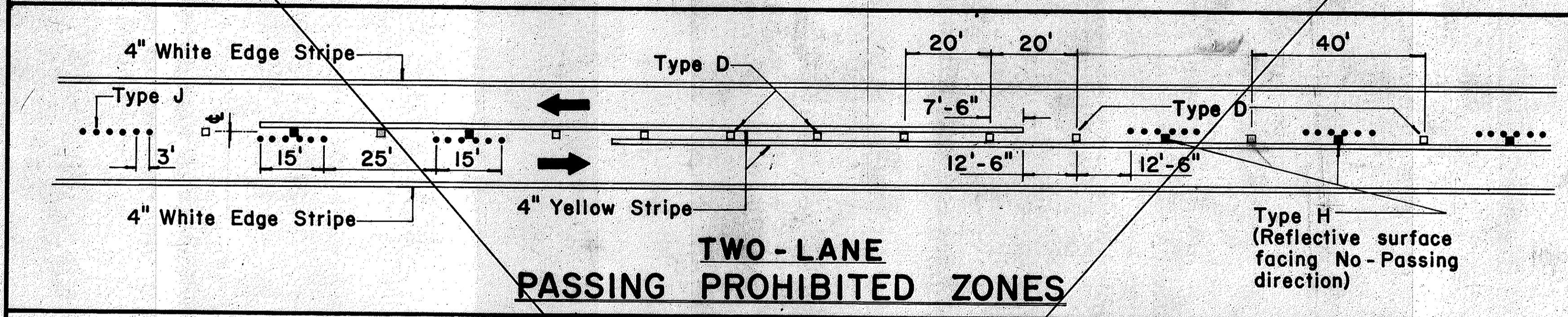
Scale: As Shown  
SHEET No. 11 OF 13 SHEETS DT 107

DATE: \_\_\_\_\_  
SURVEY PLOTTED BY: \_\_\_\_\_  
DRAWN BY: \_\_\_\_\_  
CHECKED BY: \_\_\_\_\_  
ORIGINAL PLAN: \_\_\_\_\_  
NOTE BOOK: \_\_\_\_\_  
No. \_\_\_\_\_

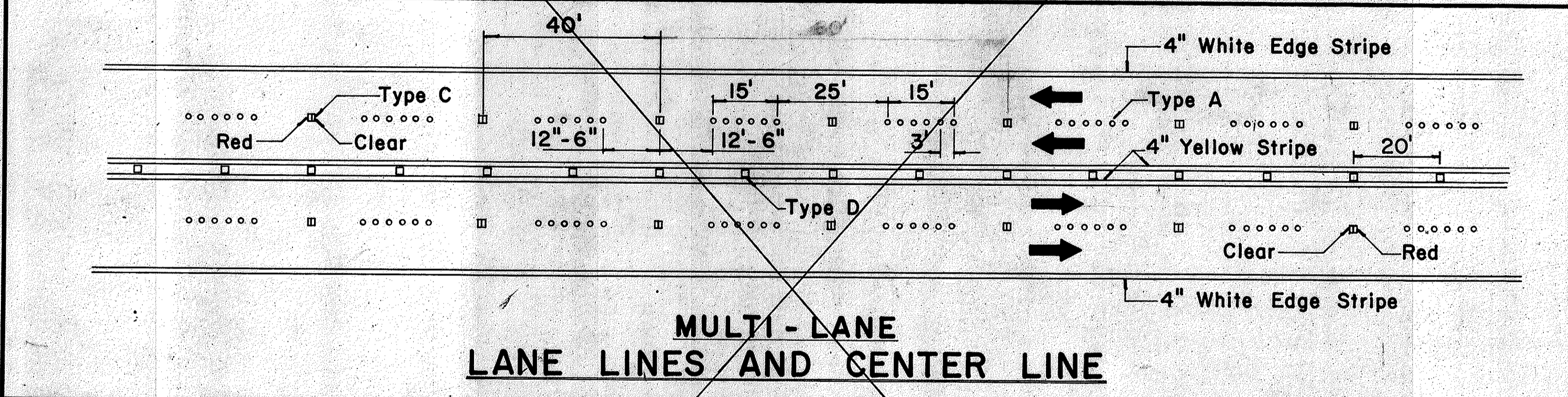
FED. ROAD DIST. NO.	STATE	FED. AID PROJ. NO.	FISCAL YEAR	SHEET NO.	TOTAL SHEETS
HAWAII	HAW.	BR-F-080-1(7)	1977	55	105



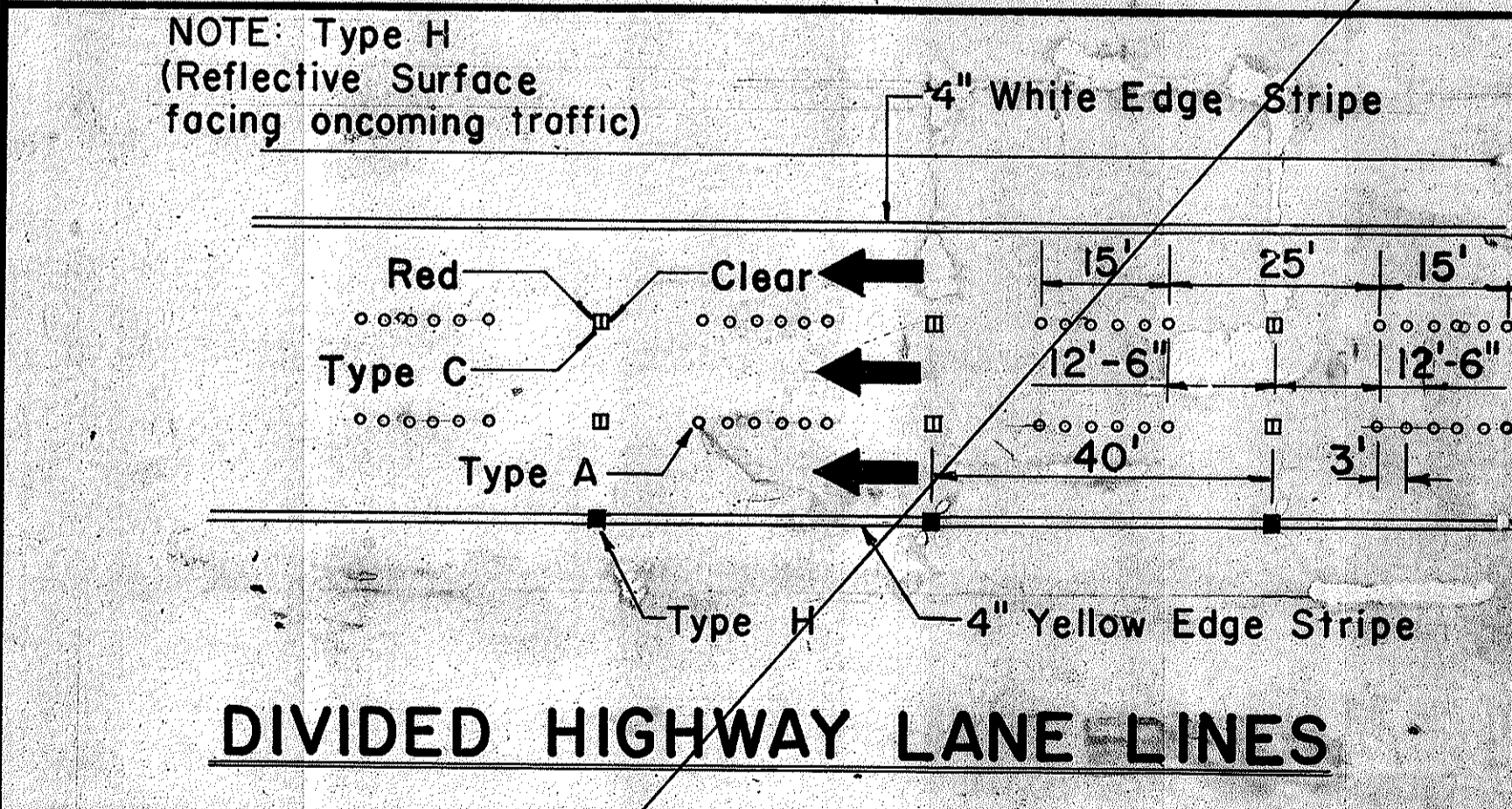
**TWO-LANE  
PASSING PERMITTED AND PASSING PROHIBITED**



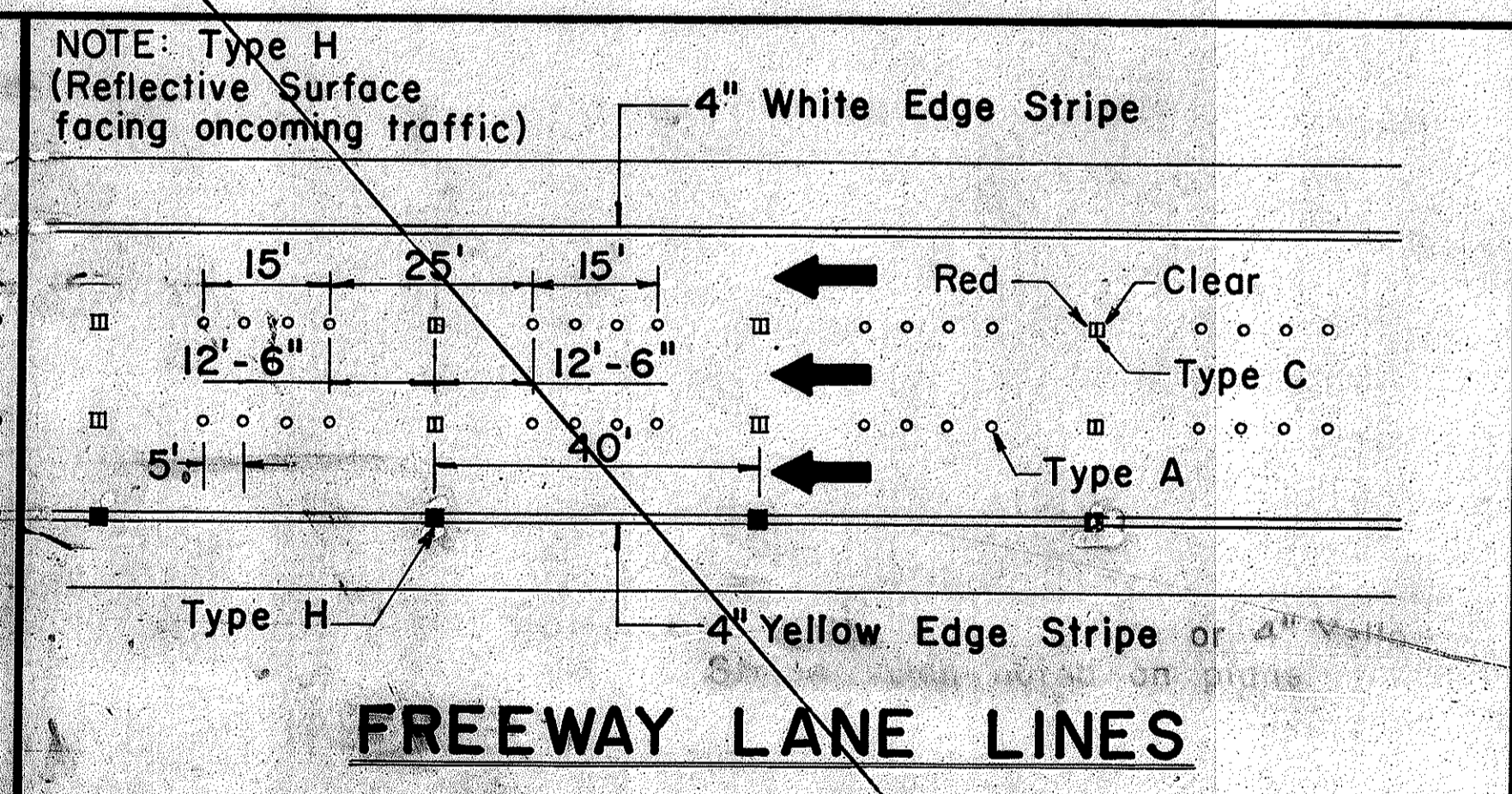
**TWO-LANE  
PASSING PROHIBITED ZONES**



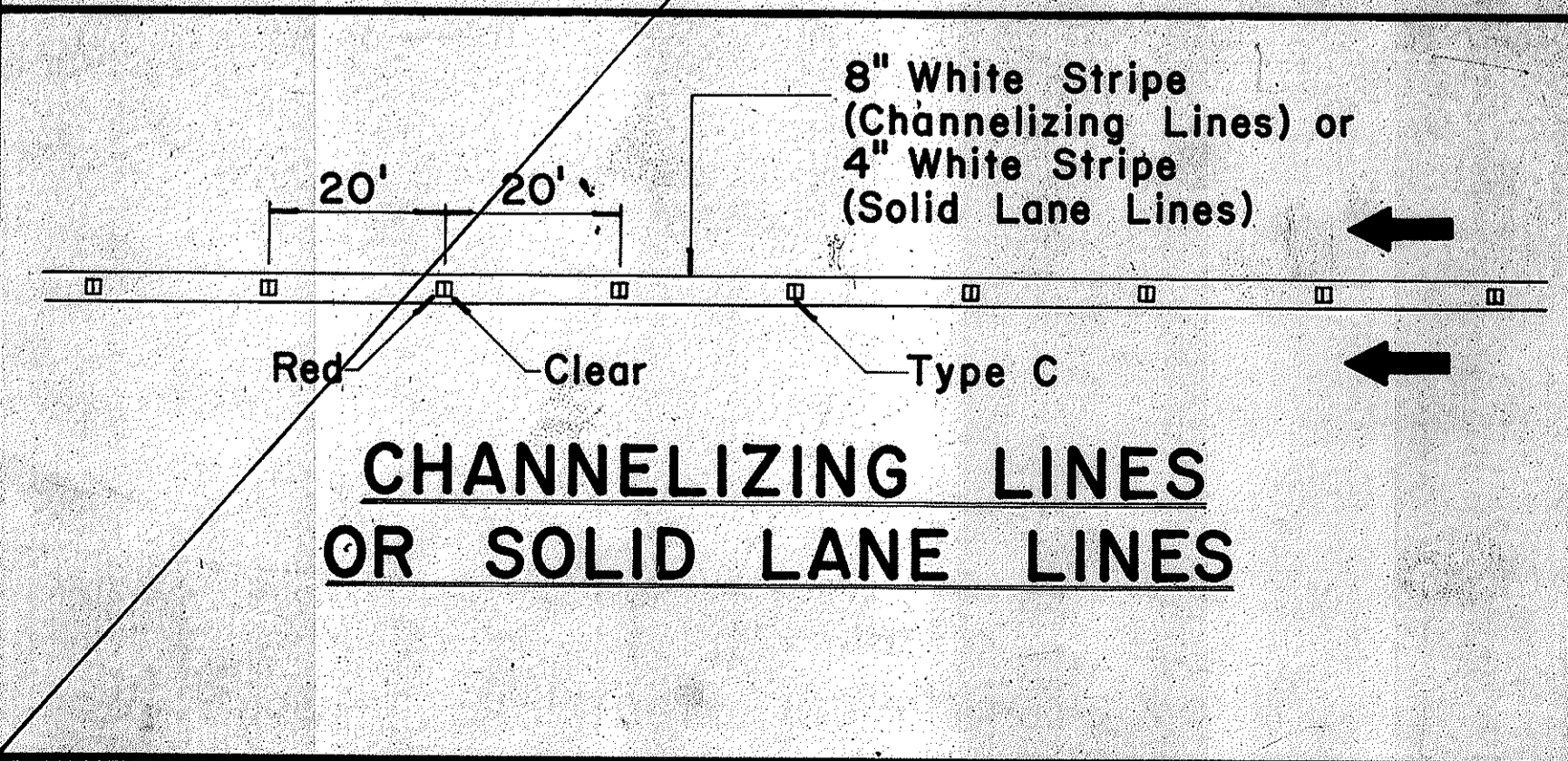
**MULTI-LANE  
LANE LINES AND CENTER LINE**



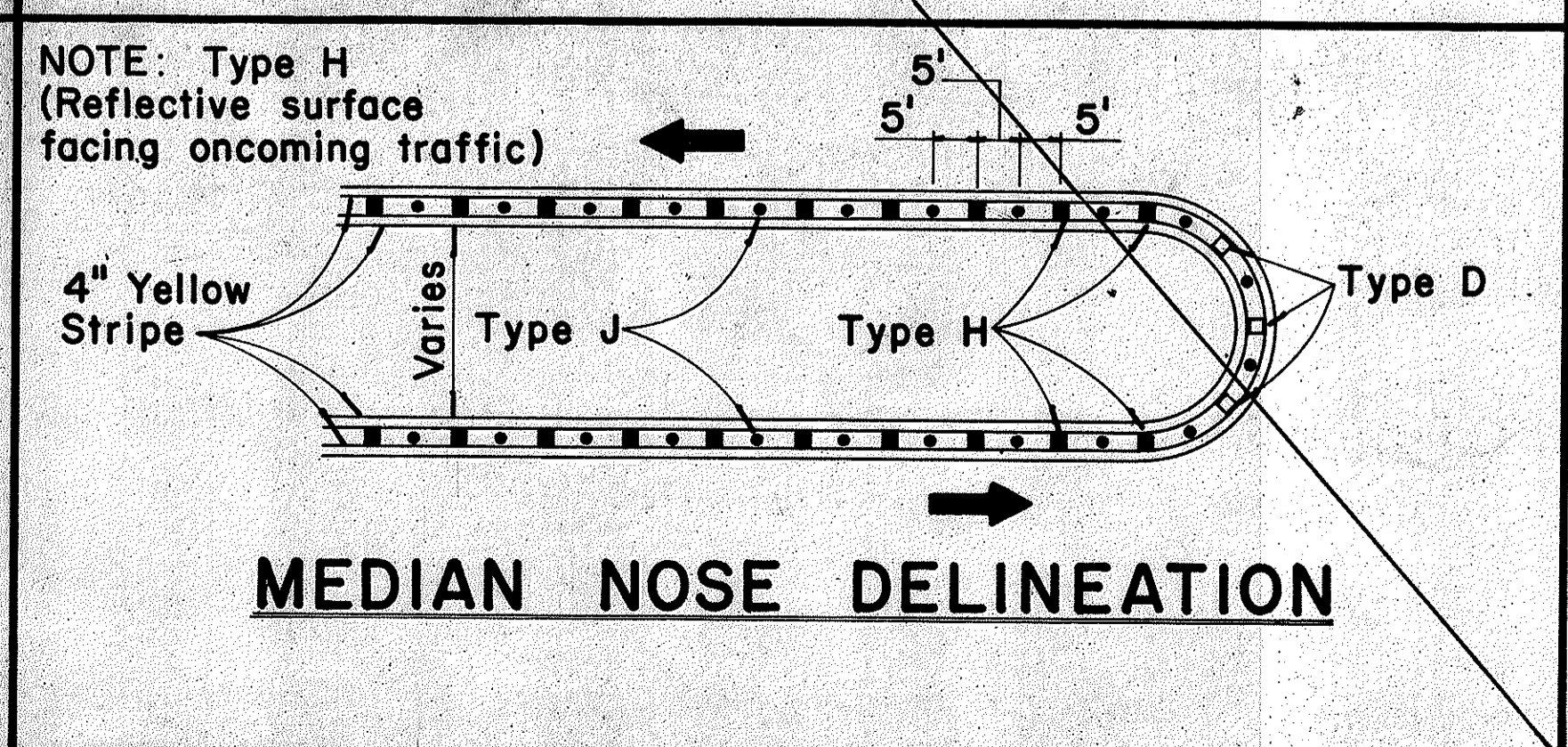
**DIVIDED HIGHWAY LANE LINES**



**FREEWAY LANE LINES**



**CHANNELIZING LINES  
OR SOLID LANE LINES**



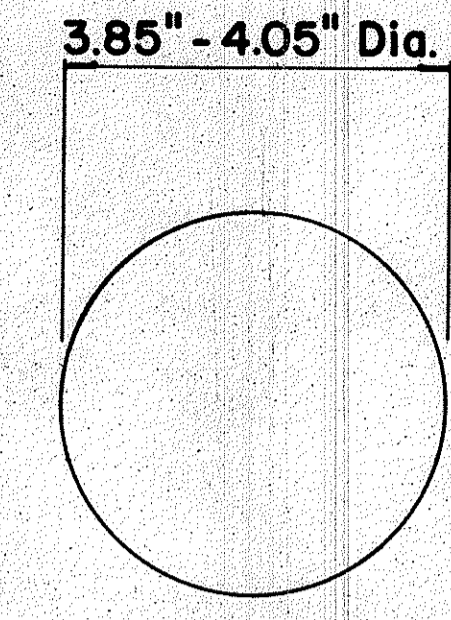
**MEDIAN NOSE DELINEATION**

TWO - LANE

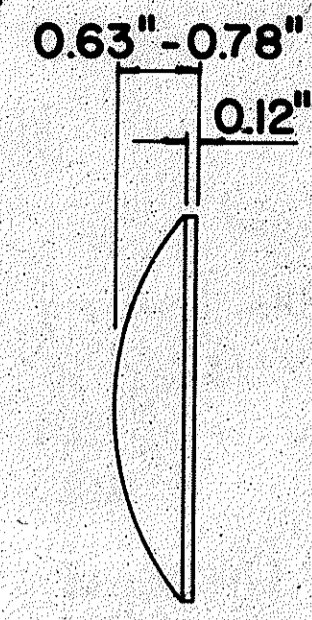
MULTI - LANE

DIVIDED HIGHWAY AND FREEWAY

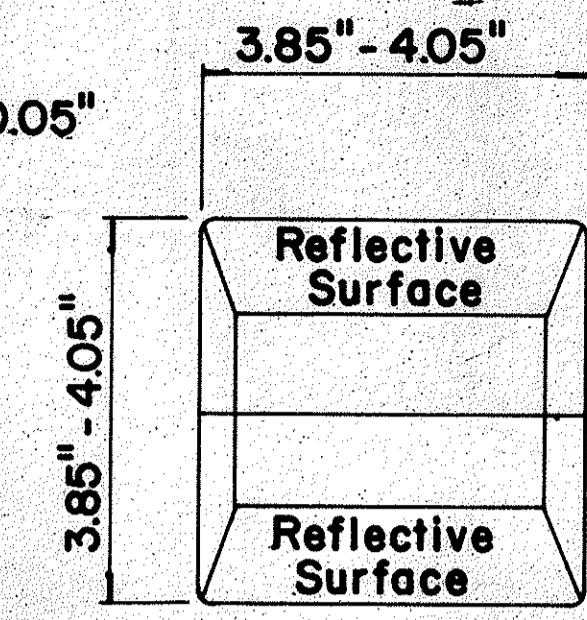
MISCELLANEOUS



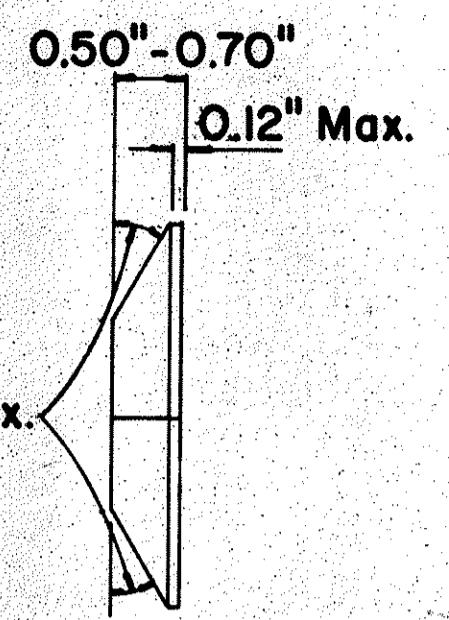
**TYPE A  
NON-REFLECTIVE WHITE MARKER**



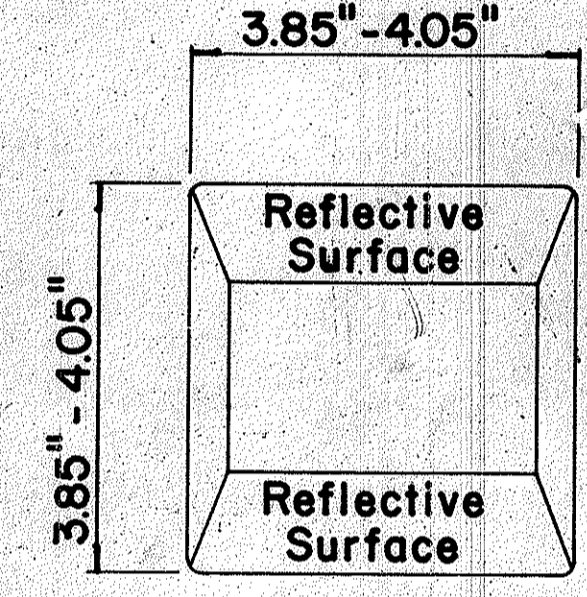
**TYPE J  
NON-REFLECTIVE YELLOW MARKER**



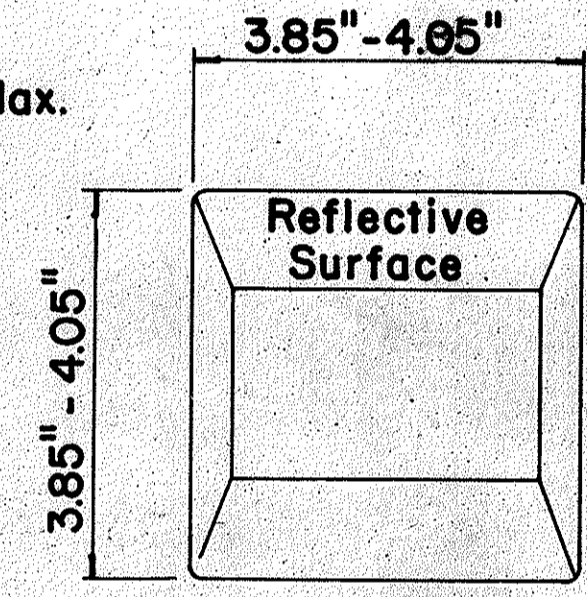
**TYPE C  
RED-CLEAR REFLECTIVE MARKER**



**TYPE H  
ONE-WAY YELLOW REFLECTIVE MARKER**



**TYPE D  
TWO-WAY YELLOW REFLECTIVE MARKER**



**GENERAL NOTES**

1. Painted stripes to be done by Contractor unless otherwise specified.

**LEGEND**

- Type A
- Type C
- Type D
- Type H
- Type J

APPROVAL RECOMMENDED:  
*Eiichi Tanaka* 11/18/71  
TRAFFIC ENGINEER DATE

APPROVED:  
*Hubert Zaleski* 11/18/71  
ASSISTANT CHIEF, ENGINEERING DATE

No.	REVISION	APPROVED BY	DATE
1	Add reflector marker in each line gap.	H.T.	10-21-72
2	Revised General Notes.	H.T.	10-21-72
3	Change 4" white edge stripe to 4" solid yellow edge stripe to left edge of a travel path and Add Type H Reflector Marker	H.T.	5-22-74

STATE OF HAWAII  
DEPARTMENT OF TRANSPORTATION  
HIGHWAYS DIVISION

**STANDARD DETAILS  
RAISED PAVEMENT MARKERS**

Used DT 300 July 13, 1971

Not to Scale October 1971

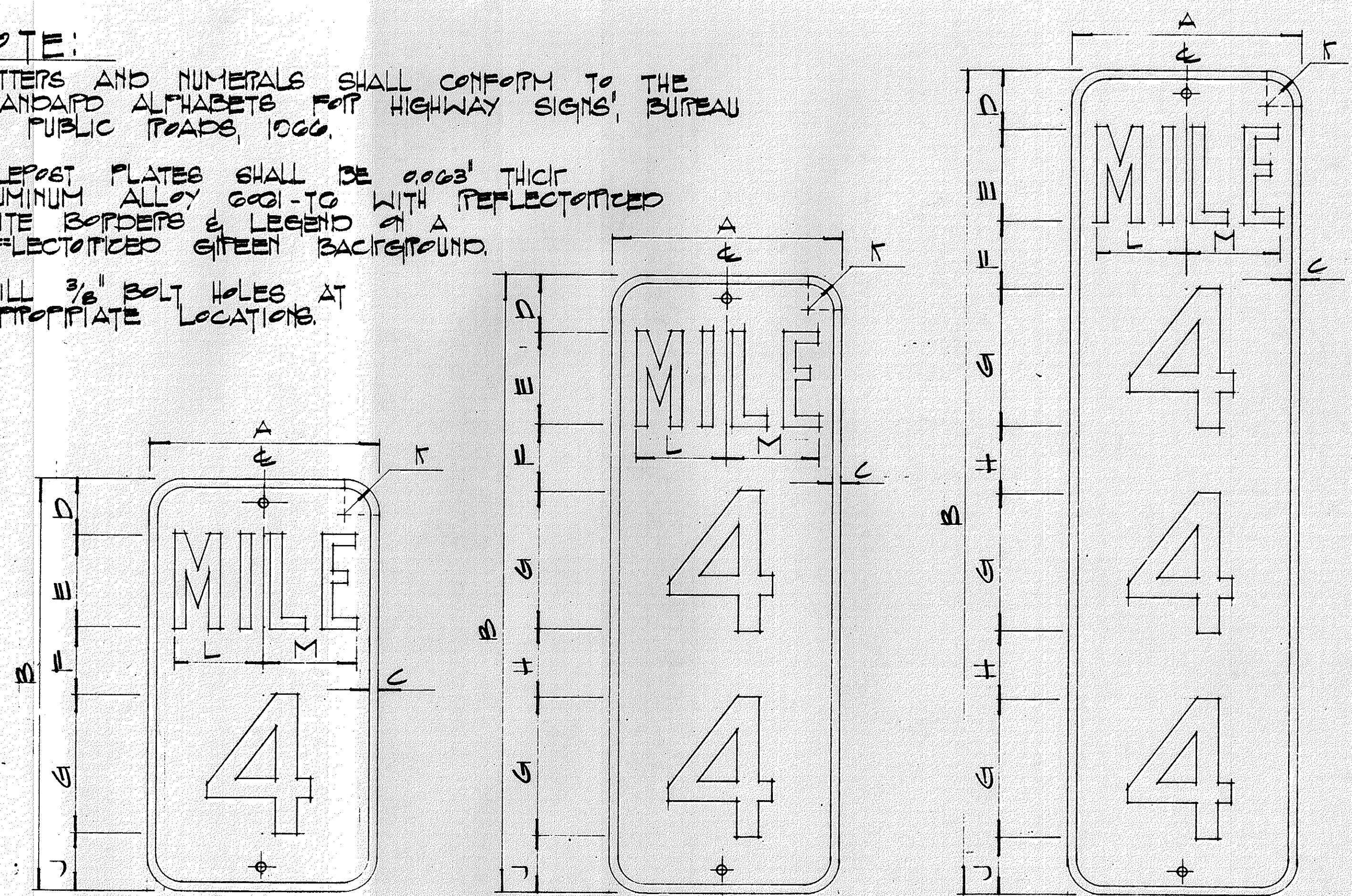
SHEET No. 12 OF 13 SHEETS DT 300

DATE  
SURVEY PLOTTED BY  
DRAWN BY  
DESIGNED BY  
NOTE BOOK  
QUANTITIES BY  
CHECKED BY

FED. ROAD DIST. NO.	STATE	FED. AID PROJ. NO.	FISCAL YEAR	SHEET NO.	TOTAL SHEETS
HAWAII	HAW.	BRF-080-107	1977	56	165

**NOTE:**

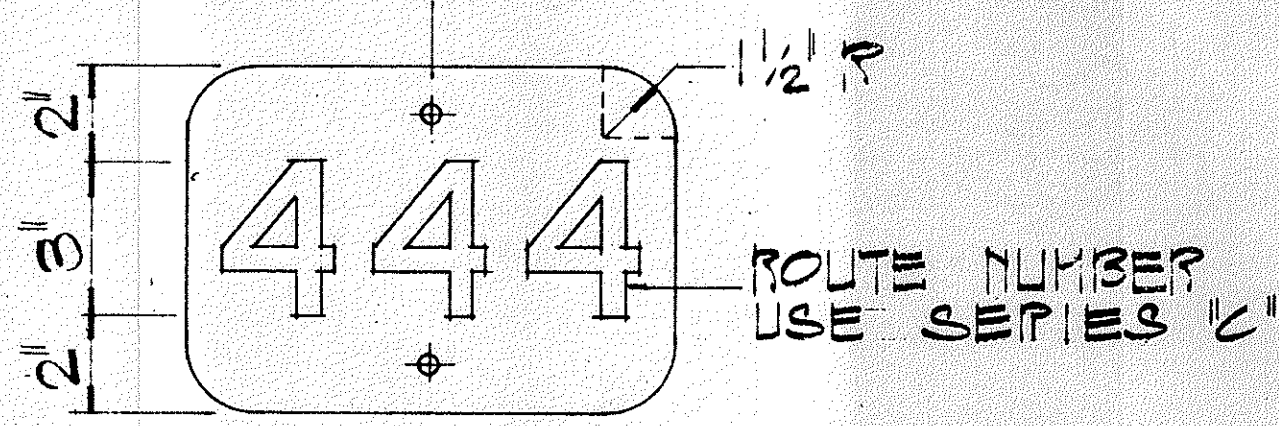
- LETTERS AND NUMERALS SHALL CONFORM TO THE 'STANDARD ALPHABETS FOR HIGHWAY SIGNS', BUREAU OF PUBLIC ROADS, 1966.
- MILEPOST PLATES SHALL BE 0003" THICK ALUMINUM ALLOY 6061-T6 WITH REFLECTORIZED WHITE BORDERS & LEGEND ON A REFLECTORIZED GREEN BACKGROUND.
- DILL  $\frac{3}{8}$ " BOLT HOLES AT APPROPRIATE LOCATIONS.



- D10-1 10' x 18"
- D10-4 12' x 24"
- D10-2 10' x 27"
- D10-5 12' x 36"
- D10-3 10' x 36"
- D10-6 12' x 48"

**MILEPOST PLATES**  
Scale:  $\frac{1}{4}$ " = 1"

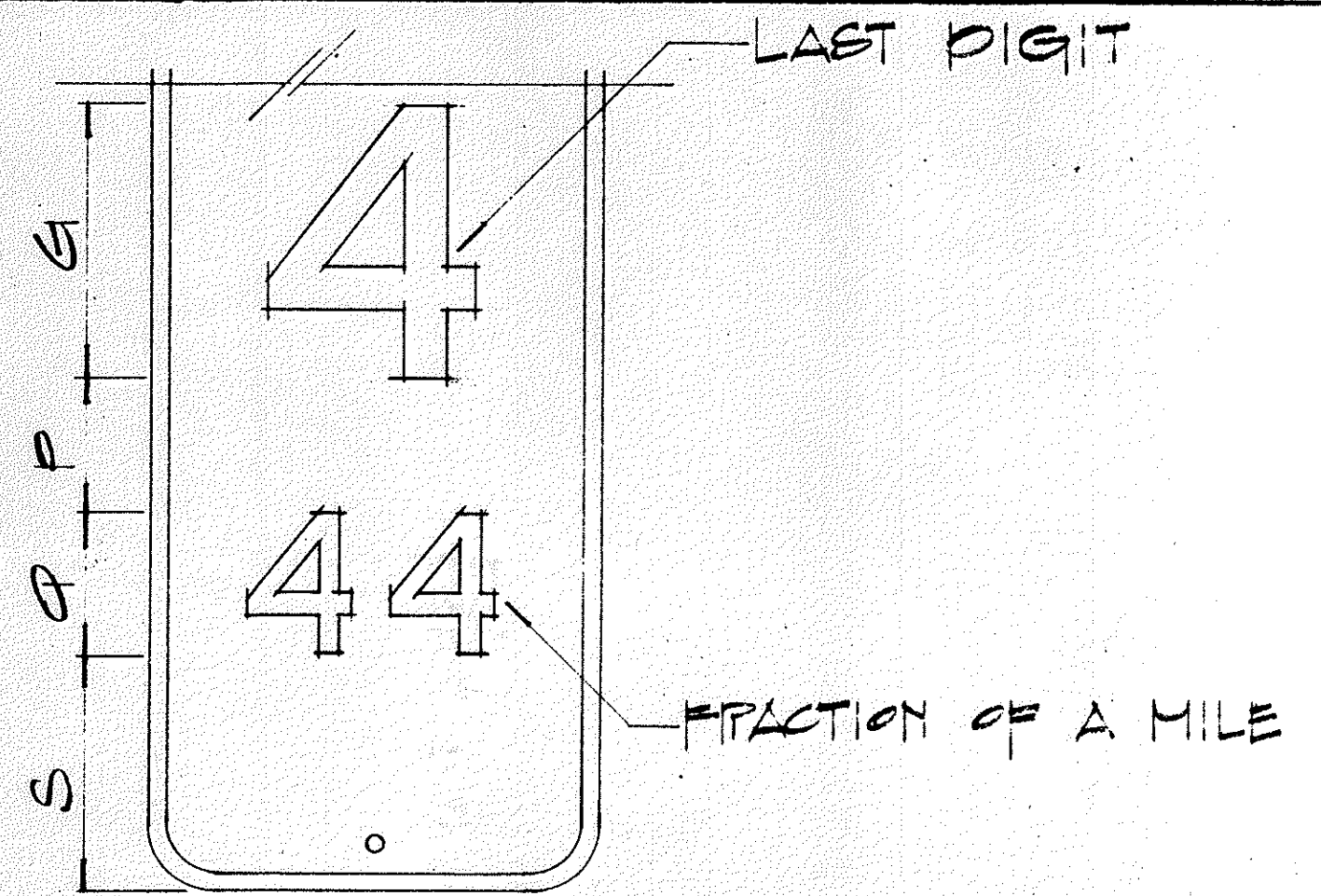
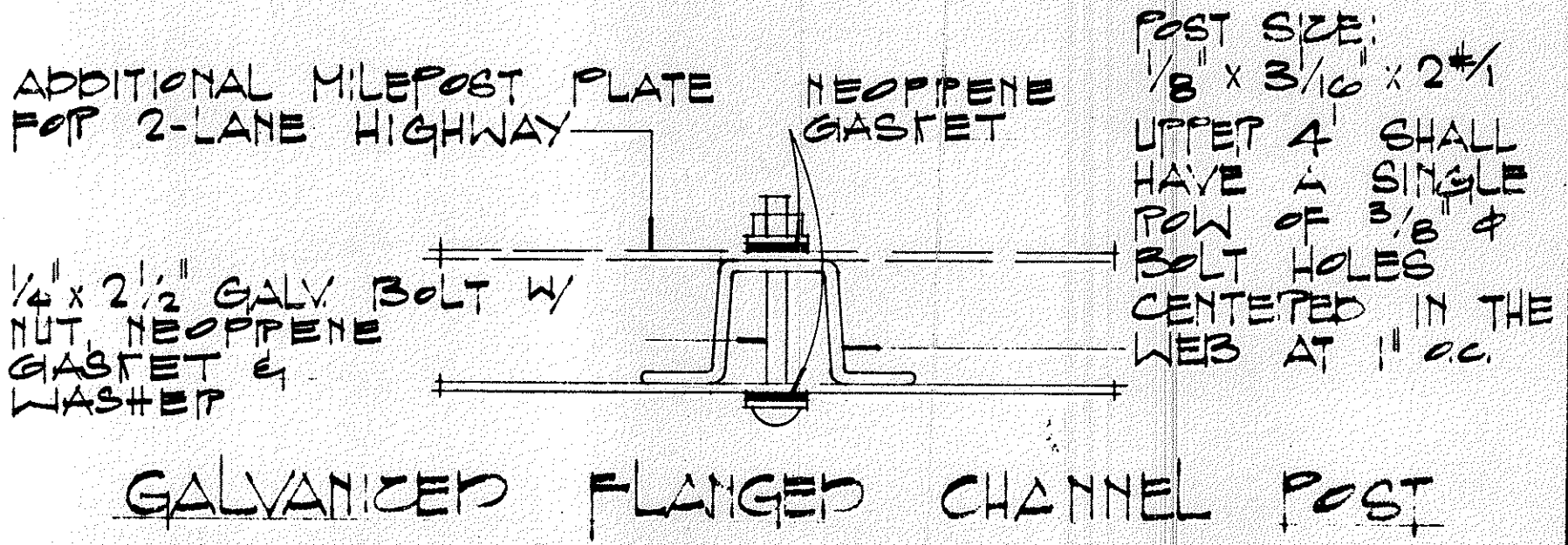
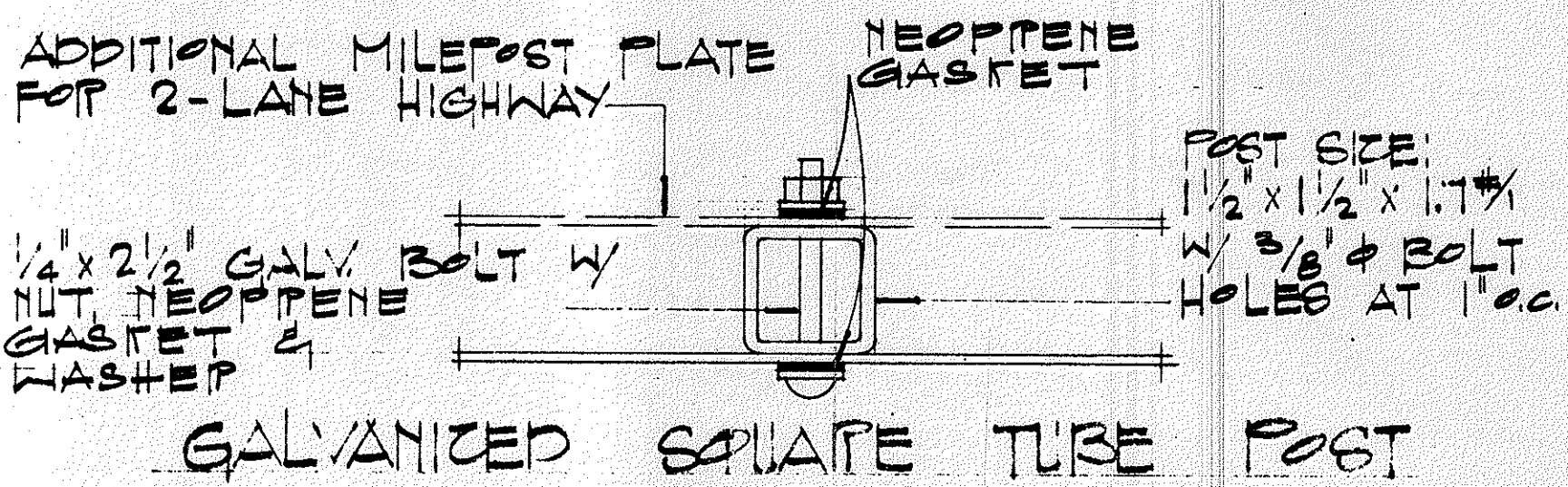
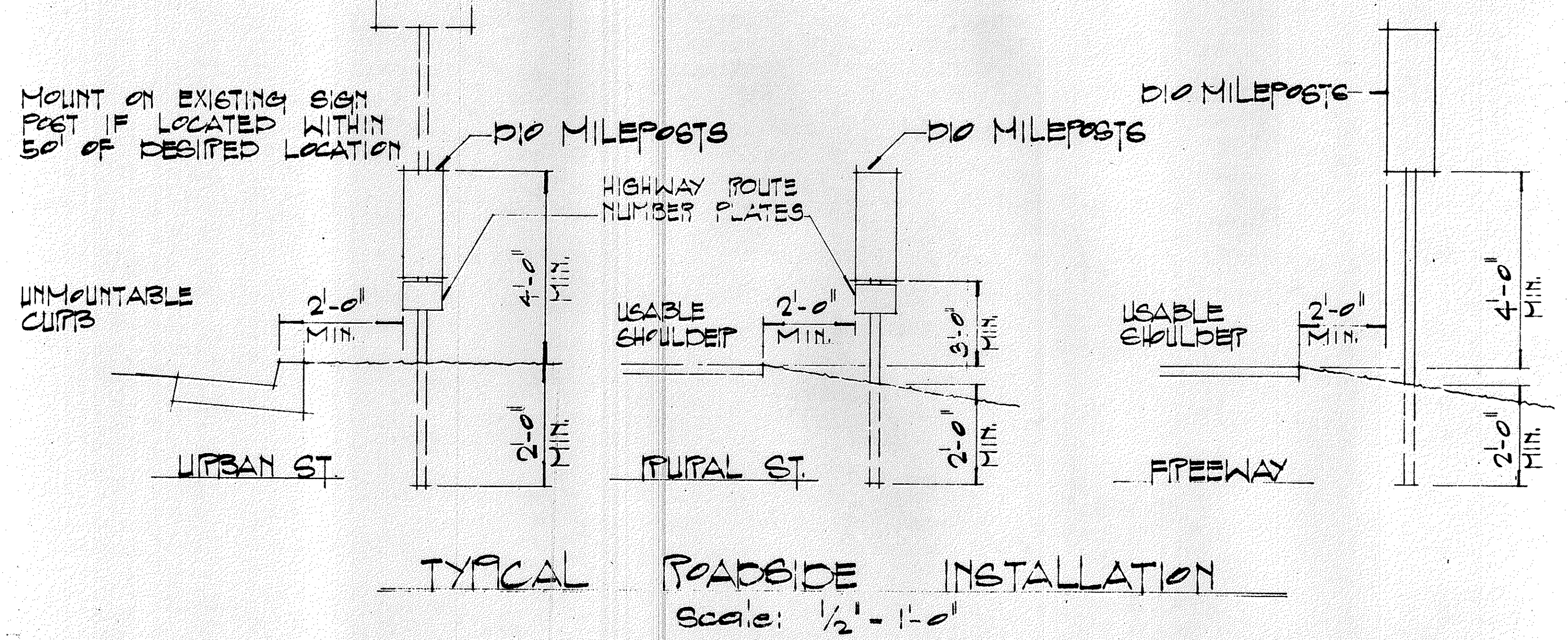
NAME	SIZE	A	B	C	D	E	F	G	H	J	K	L	M	LETTER SERIES	NUMERAL SERIES
D10-1	10 x 18	10	18	1/2	2	4	2	0		4	1 1/2	3 5/8	3 7/8	B	C
D10-4	12 x 24	12	24	1/2	3	4	3	0		4	1 1/2	4 5/8	4 7/8	C	C
D10-2	10 x 27	10	27	1/2	2	4	2	0	3	4	1 1/2	3 5/8	3 7/8	B	C
D10-5	12 x 36	12	36	1/2	3	4	3	0	3	3	1 1/2	4 5/8	4 7/8	C	C
D10-3	10 x 36	10	36	1/2	2	4	2	0	3	4	1 1/2	3 5/8	3 7/8	B	C
D10-6	12 x 48	12	48	1/2	3	4	3	0	2 1/2	3	1 1/2	4 5/8	4 7/8	C	C



D10-7 10' x 7"  
HIGHWAY ROUTE NUMBER PLATE  
(FOR URBAN & RURAL STREET MILEPOSTS)

**NOTE:**  
HIGHWAY ROUTE NUMBER PLATES FOR URBAN & RURAL STREET MILEPOSTS SHALL BE 0003" THICK ALUMINUM ALLOY 6061-T6 WITH BLACK NUMERALS & BORDERS ON A REFLECTORIZED WHITE BACKGROUND.

**NOTE:**  
ON MULTI LANE ROADWAYS - ONE MILEPOST ON EACH SIDE OF ROADWAY.  
ON TWO LANE ROADWAYS - BACK TO BACK MILEPOSTS ONE SIDE OF ROADWAY (RIGHT SIDE OF ROADWAY IN DIRECTION OF INCREASING MILEAGE).



NAME	SIZE	G	P	Q	S	NUMERAL SERIES
D10-1F	10' x 27"	10'	4"	10'	10'	C
D10-4F	12' x 36"	10'	4"	10'	10'	C
D10-2F	10' x 36"	10'	4"	10'	10'	C
D10-5F	12' x 48"	10'	4"	10'	10'	C
D10-3F	10' x 48"	10'	4"	10'	10'	C
D10-6F	12' x 60"	10'	4"	10'	10'	C

STATE OF HAWAII  
DEPARTMENT OF TRANSPORTATION  
HIGHWAYS DIVISION

**MILEPOSTS**

Scale: As Shown  
January 1972  
SHEET No. 13 OF 13 SHEETS

DATE  
DRAWN BY  
CHECKED BY  
DESIGNED BY  
NO. 1