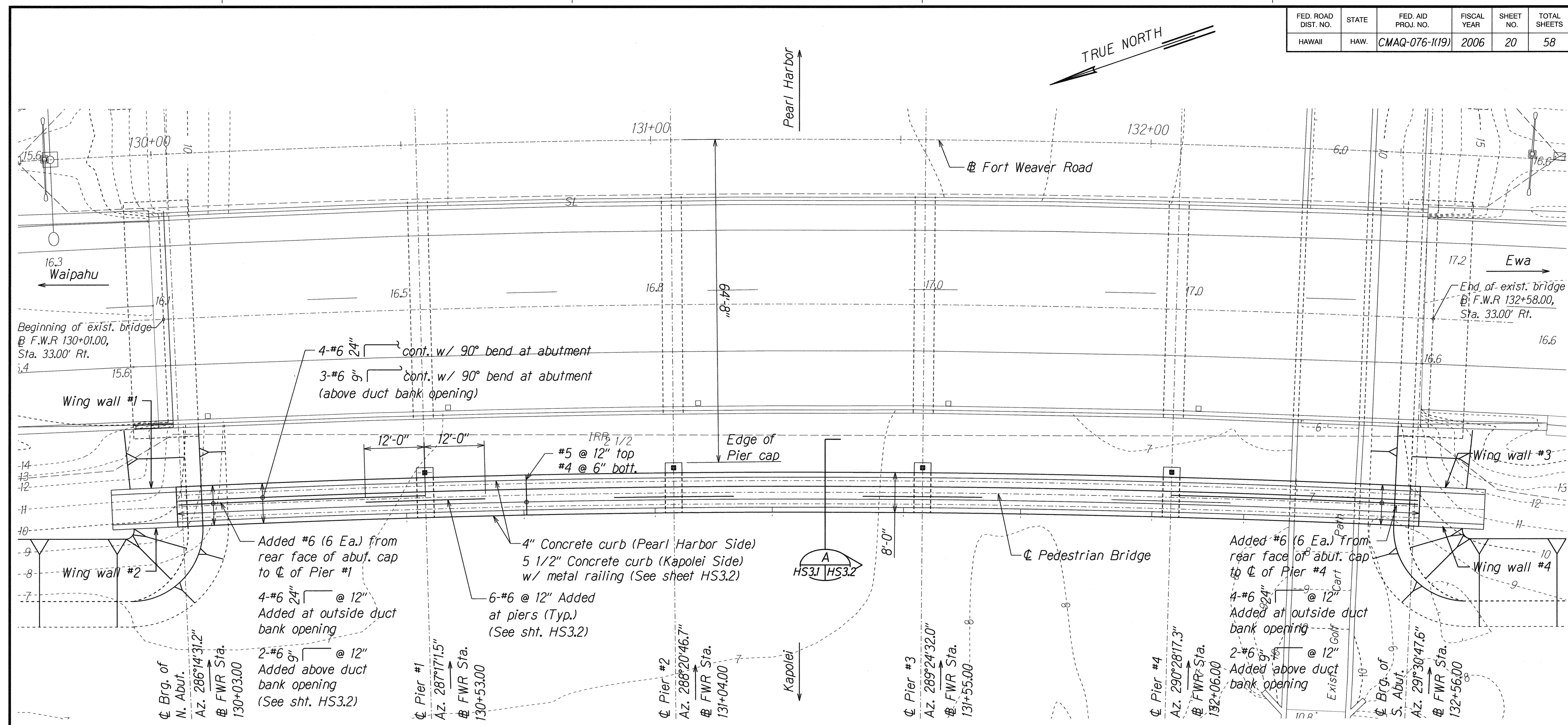


FED. ROAD DIST. NO.	STATE	FED. AID PROJ. NO.	FISCAL YEAR	SHEET NO.	TOTAL SHEETS
HAWAII	HAW.	CMAQ-076-1(19)	2006	20	58



- NOTES:**
1. Minimum lap splice of deck longitudinal bars shall be 36".
 2. Precast girder reinf. not shown for clarity.

DECK FRAMING PLAN
Scale: 1" = 10'-0"

DATE	
SURVEY PLOTTED BY	
DESIGNED BY	
QUANTITIES BY	
CHECKED BY	
ORIGINAL PLAN	
NOTE BOOK	
No.	

THIS WORK WAS PREPARED BY ME OR UNDER MY SUPERVISION.

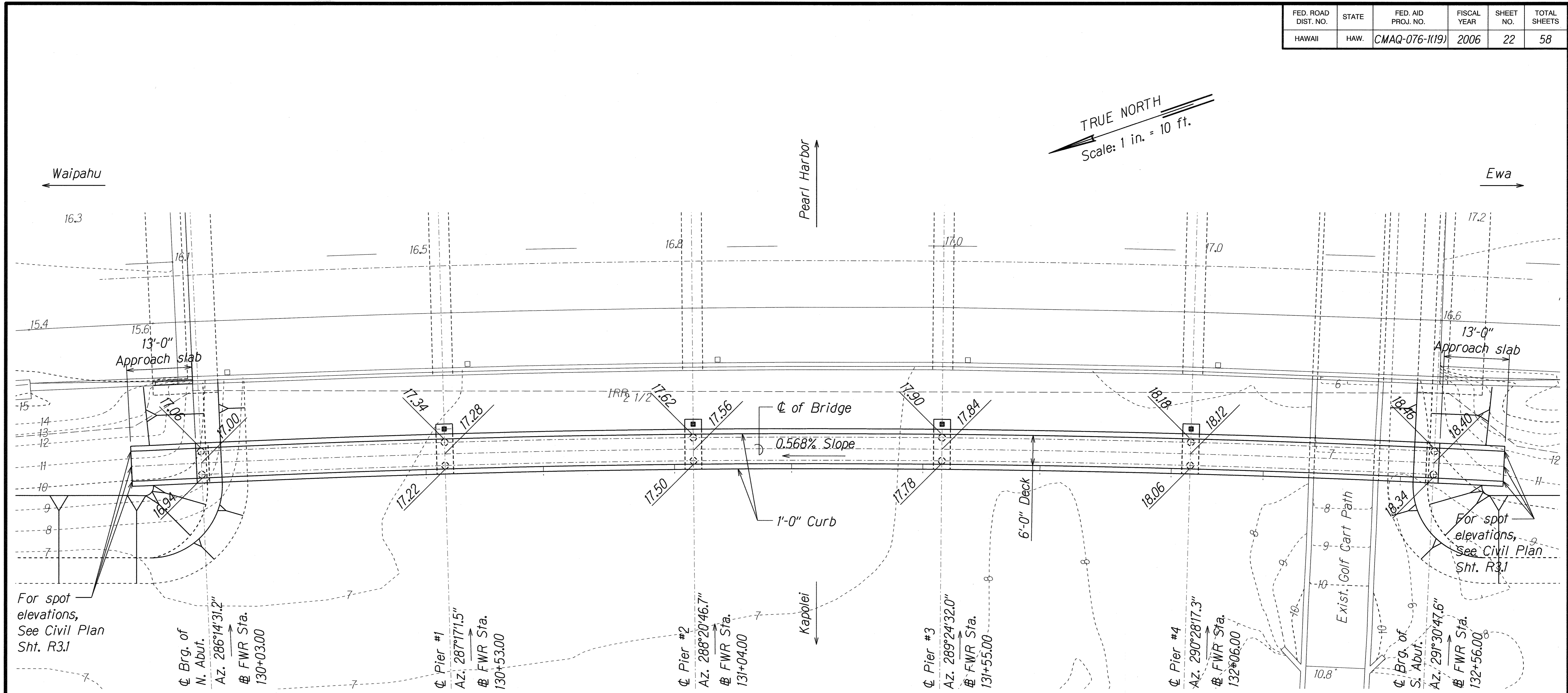
David K. Fujimura

 SIGNATURE EXPIRATION DATE OF THE LICENSE

9/30/09	3 As Built
DATE	REVISION
STATE OF HAWAII DEPARTMENT OF TRANSPORTATION HIGHWAYS DIVISION DECK FRAMING PLAN <i>Fort Weaver Road Widening Honouliuli Stream Pedestrian Bridge Vicinity of Aawa Drive to Geiger Road Federal Aid Project No. CMAQ-076-1(19)</i> Scale: As Shown Date: Feb. 29, 2008	
SHEET No. <i>HS31</i> OF 33 SHEETS	

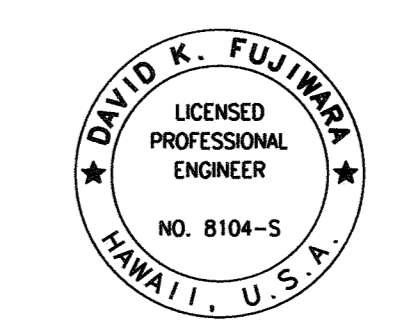
AS-BUILT

FED. ROAD DIST. NO.	STATE	FED. AID PROJ. NO.	FISCAL YEAR	SHEET NO.	TOTAL SHEETS
HAWAII	HAW.	CMAQ-076-1(19)	2006	22	58



DECK FINISH GRADE PLAN
Scale: 1" = 10'-0"

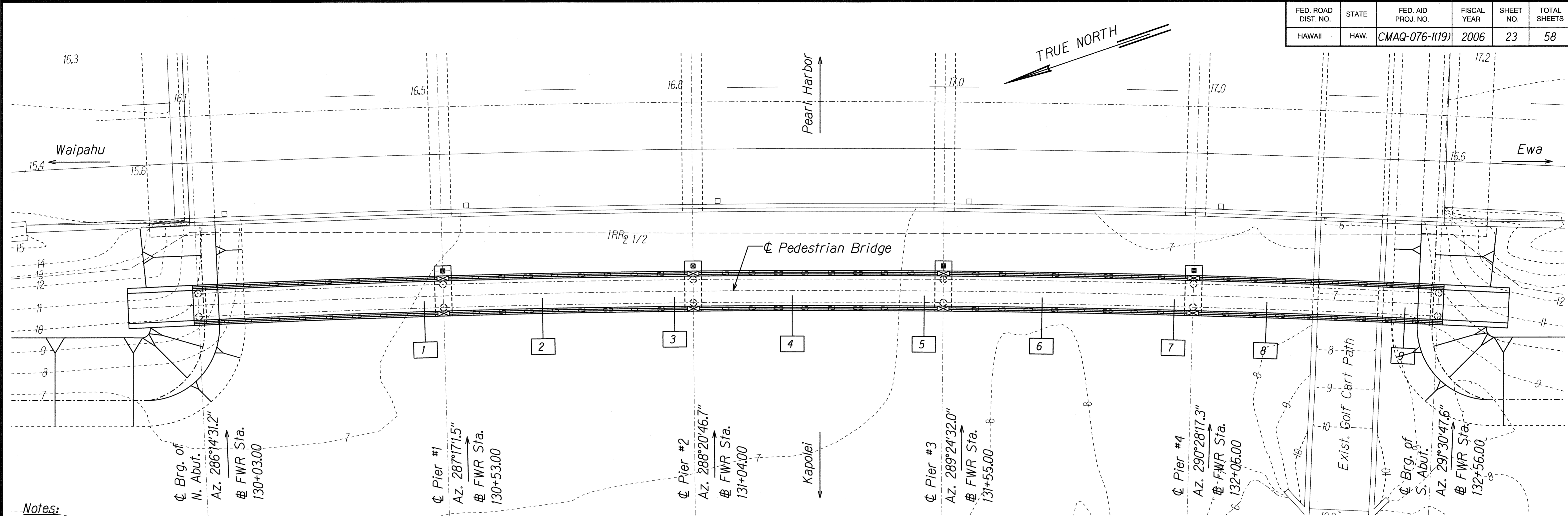
ORIGINAL PLAN	DATE
SURVEY PLOTTED BY	
DRAWN BY	
DESIGNED BY	
QUANTITIES BY	
CHECKED BY	
NO.	



THIS WORK WAS PREPARED BY ME OR UNDER MY SUPERVISION.
David K. Fujiwara
 SIGNATURE EXPIRATION DATE OF THE LICENSE: 4-30-08

9/30/09	3 As Built
DATE	REVISION
STATE OF HAWAII DEPARTMENT OF TRANSPORTATION HIGHWAYS DIVISION	
DECK FINISH GRADE PLAN	
Fort Weaver Road Widening Honouliuli Stream Pedestrian Bridge Vicinity of Aawa Drive to Geiger Road Federal Aid Project No. CMAQ-076-1(19)	
Scale: As Shown	Date: Feb. 29, 2008
SHEET No. HS3.3 OF 33 SHEETS	

AS-BUILT

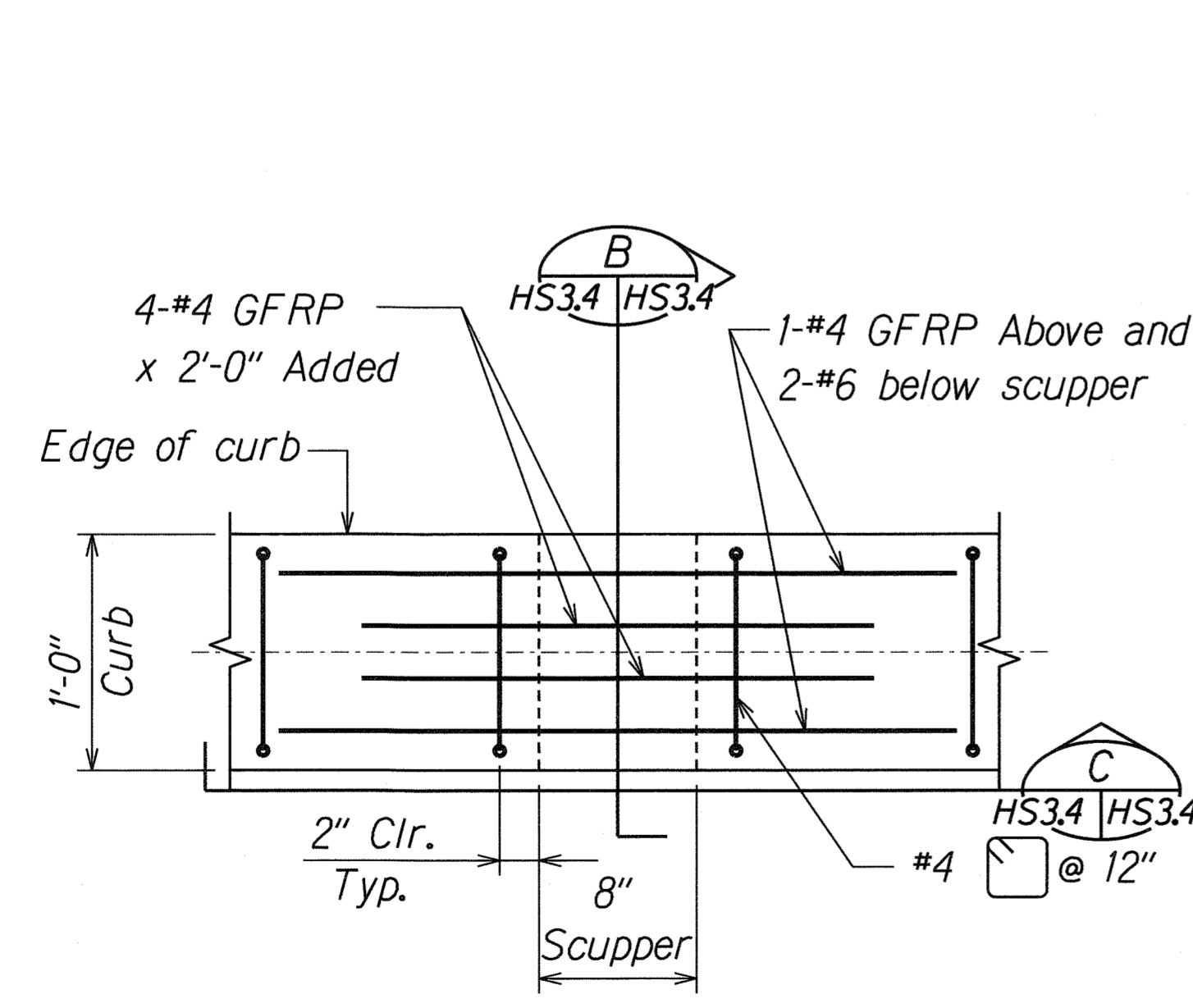


Notes:

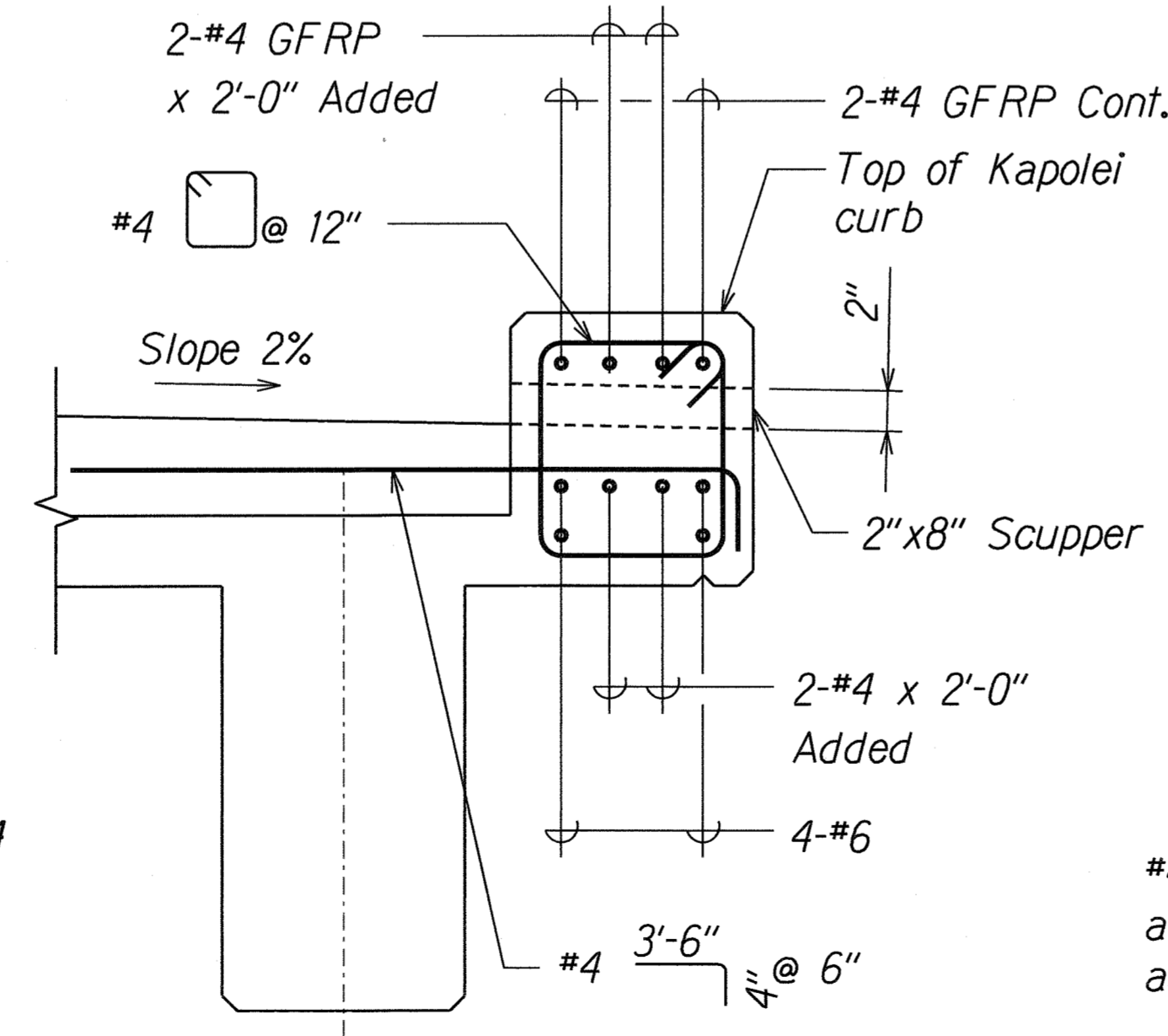
- [5] Indicates deck scupper. Scuppers shall be constructed through the curb on Kapolei side of the bridge only at the same slope of cross deck surface.
- Location of the scuppers may be adjusted by the Engineer so that the scuppers are centered between the two adjacent railing posts. (See sht. HS7.1 for railing post locations)

DECK SCUPPER PLAN
Scale: 1" = 10'-0"

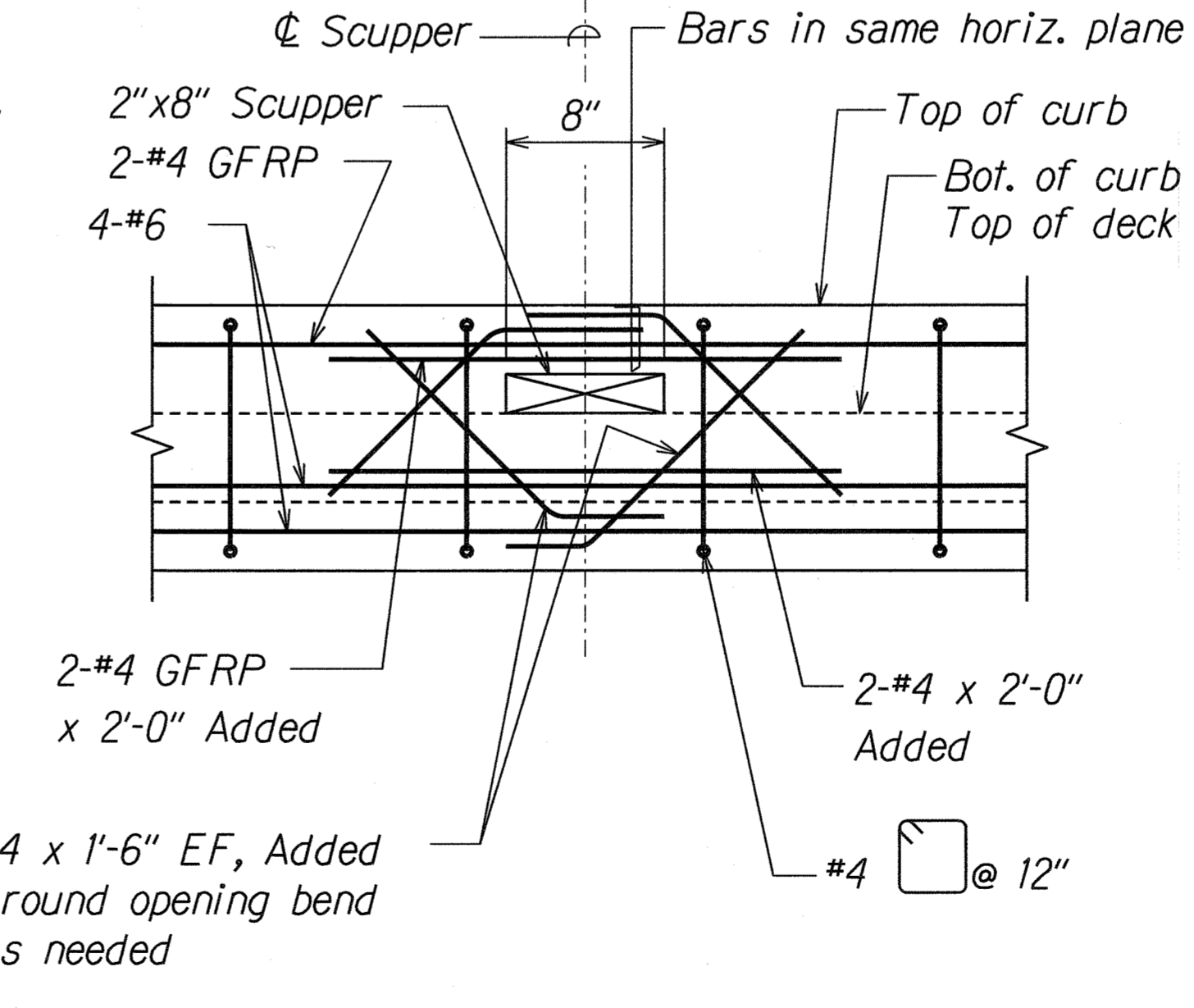
Scupper Locations		
Mark	Callout	⊕ Station FWR
	⊕ Brg. of N. Abut.	130+03.00
1	⊕ Scupper #1	130+49.04
2	⊕ Scupper #2	130+73.17
3	⊕ Scupper #3	131+00.13
4	⊕ Scupper #4	131+24.17
5	⊕ Scupper #5	131+51.13
6	⊕ Scupper #6	131+75.17
7	⊕ Scupper #7	132+02.13
8	⊕ Scupper #8	132+21.03
9	⊕ Scupper #9	132+49.25
	⊕ Brg. of S. Abut.	132+56.00



SCUPPER - PLAN
Scale: 1 1/2" = 1'-0"
A HS3.4 HS3.4

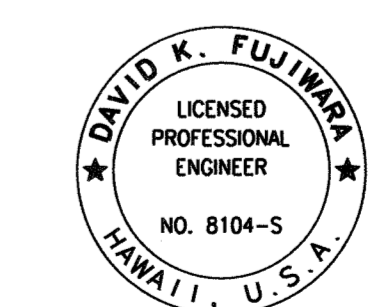


SCUPPER - SECTION
Scale: 1 1/2" = 1'-0"
B HS3.4 HS3.4



SCUPPER - ELEVATION
Scale: 1 1/2" = 1'-0"
C HS3.4 HS3.4

DATE _____
SURVEY PLOTTED BY _____
DRAWN BY _____
DESIGNED BY _____
NOTE BOOK _____
QUANTITIES BY _____
CHECKED BY _____
No. _____



THIS WORK WAS PREPARED BY ME OR UNDER MY SUPERVISION.
David K. Fujiwara
SIGNATURE
EXPIRATION DATE OF THE LICENSE 4-30-08

9/30/09	3 As Built
DATE	REVISION

STATE OF HAWAII
DEPARTMENT OF TRANSPORTATION
HIGHWAYS DIVISION
DECK SCUPPER PLAN AND DETAILS
Fort Weaver Road Widening
Honouliuli Stream Pedestrian Bridge
Vicinity of Aawa Drive to Geiger Road
Federal Aid Project No. CMAQ-076-1(19)
Scale: As Shown Date: Feb. 29, 2008