

FED. ROAD DIST. NO.	STATE	FEDERAL AID PROJ. NO.	FISCAL YEAR	SHEET NO.	TOTAL SHEETS
HAWAII	HAW.	CMAQ-076-1(9)	2006	249	371

PAVEMENT MARKING LEGEND:

- (A) 4" Yellow Stripe with Type H Markers at 40' o.c.
 - (B) 4" White Stripe with Type C Markers at 40' o.c.
 - (C) 4-Type A Markers and Type C Markers at 40' o.c.
 - (D) 4" White Stripe with 4-Type A Markers at 40' o.c. and Type C Markers at 20' o.c.
 - (E) 4" White Guide Line
 - (F) 4" White Stripe
 - (G) 8" White Stripe with Type C Markers at 20' o.c. (100 LF)
 - (H) 8" White Stripe
 - (I) 12" Stop Bar
 - (J) 12" White Chevrons
 - (K) 12" Yellow Transverse Stripe
 - (L) 4" Double Yellow Stripe with Type D Markers at 20' o.c.
 - (M) Yield Line
 - (N) 4" White Stripe with Type C Markers at 20' o.c.
- ← Pavement Arrow (If tape used, Tape Type III)
- ONLY** Pavement Word
- Quick Kurb median separator system or equivalent

SIGNING LEGEND:

- (A) Existing sign(s) to remain
- (B) Relocate existing sign(s) & post(s)
- (C) Relocate existing sign(s) on new post(s)
- (D) Relocate existing sign(s) on new TSL pole
- (E) Remove existing sign(s) and post(s)
- (F) Remove existing sign(s)
- (G) New sign & post(s)
- (H) New sign(s) on existing post(s)
- (J) New sign(s) on TSL pole
- ◆ New or Relocated Sign
- ◊ Existing Sign

SIGNING NOTES:

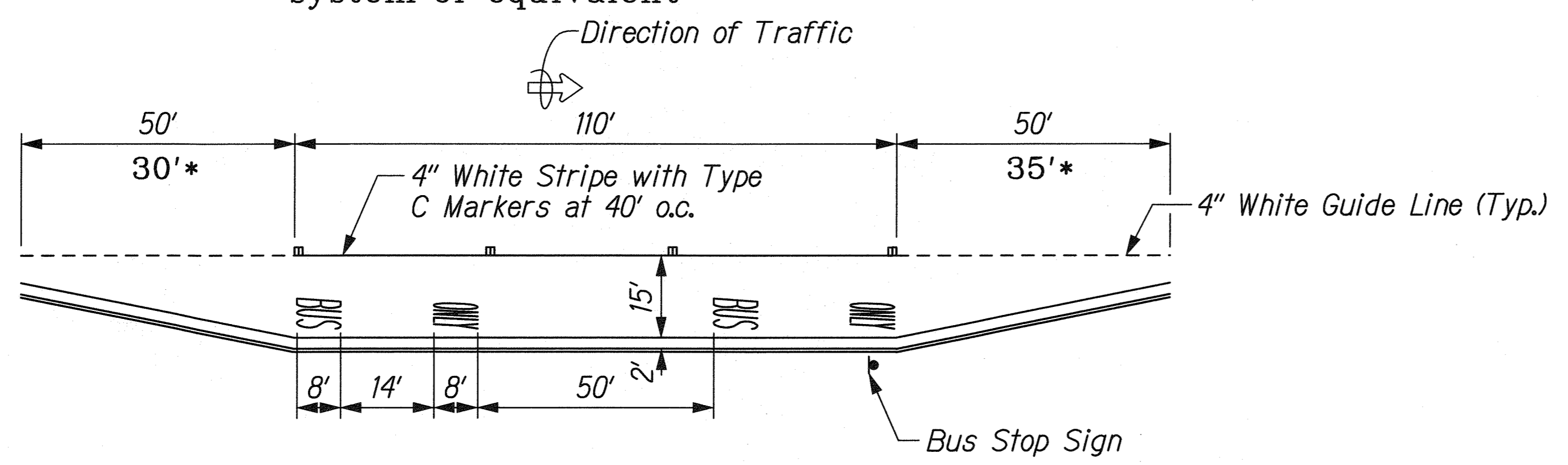
- Sign details shall conform to the latest editions and amendments of the following FHWA publications: "Manual on Uniform Traffic Control Devices for Streets and Highways", "Standard Highway Signs" and "Standard Alphabets for Highway Signs".
- For Miscellaneous Sign Details, see Standard Plan TE-01 to TE-18.
- Existing Signs to be removed shall be disposed of by the Contractor. Removal of signs shall also include the removal of post and foundation to a minimum height of 1-foot below the ground. Payment for the removal of such signs shall be incidental to the various contract items.
- The Contractor shall backfill all holes, depressions and pits left by the removal of the existing signs with embankment material and grass all areas exposed in accordance with Specifications Section 618-Grassed Surfaces.
- The cost of trimming existing vegetation for installation of the sign and to provide a clear view of the sign shall be considered incidental to the sign.

PAVEMENT MARKING NOTES:

- All pavement striping, legends and symbols shall be retroreflective thermoplastic compound pavement markings.
- Location of pavement markers is shown schematically. For exact location of markers in relation to stripe, see Standard Plans TE-30, TE-31 & TE-32.
- Removal of existing pavement markings shall be considered incidental to the various contract items.
- The Contractor shall remove all RM-2 Markers along the roadside and within the pavement area which conflict with the proposed construction.

ABBREVIATIONS:

RM Reflector Markers



BUS STOP MARKING
Not to Scale

*Dimensions shown for Bus Bays at Sta. 245+00 Rt and Sta. 253+00 Lt.

LEGEND FOR AS-BUILT POSTINGS

- Squiggly line for as-built deletion
- Double line for as-built deletion
- Roadway Text for as-built posting

THIS WORK WAS PREPARED BY ME UNDER MY SUPERVISION.

Signature: *R. Urakami* 04/30/10
EXPIRATION DATE OF THE LICENSE

STATE OF HAWAII
DEPARTMENT OF TRANSPORTATION
HIGHWAYS DIVISION

SIGNING AND PAVEMENT MARKINGS

NOTES AND LEGEND

FORT WEAVER ROAD WIDENING
VICINITY OF AAWA DRIVE TO GEIGER ROAD

Scale: None Date: Feb. 22, 2008

SURVEY PLOTTED BY	DATE
DESIGNED BY	
TRACED BY	
NOTE BOOK	
QUANTITIES BY	
CHECKED BY	

64 FORT WEAVER ROAD / SIGN/SS-NOTES.dgn

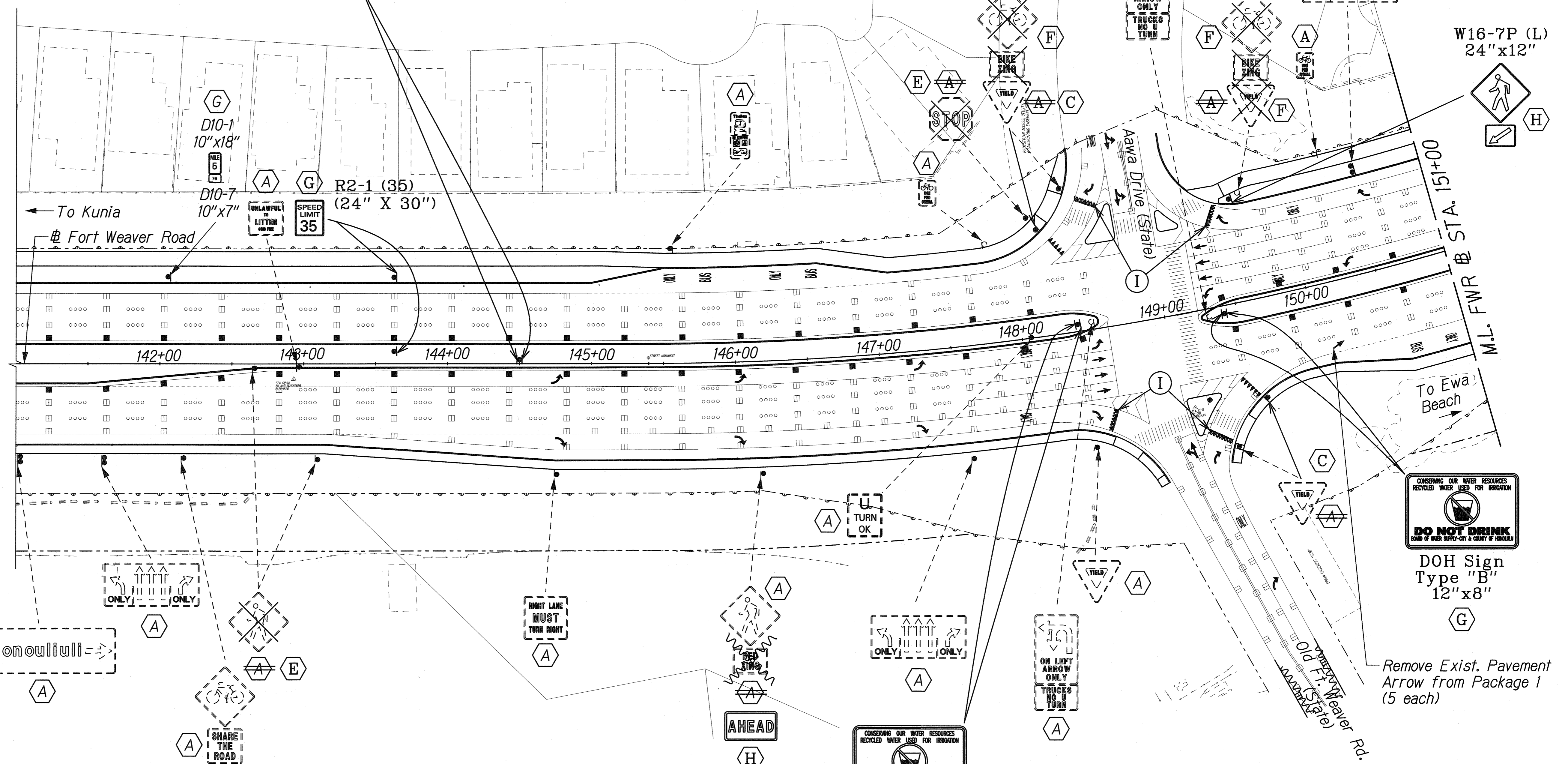
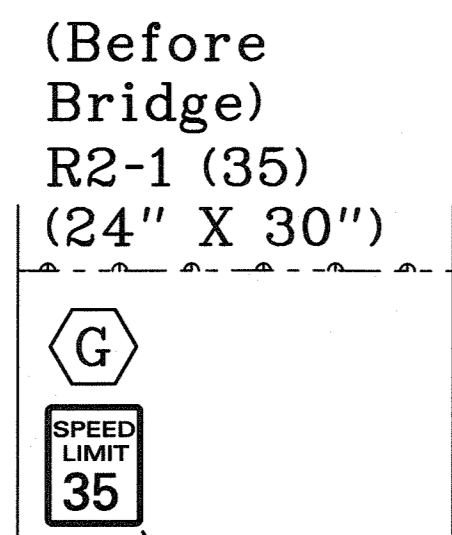
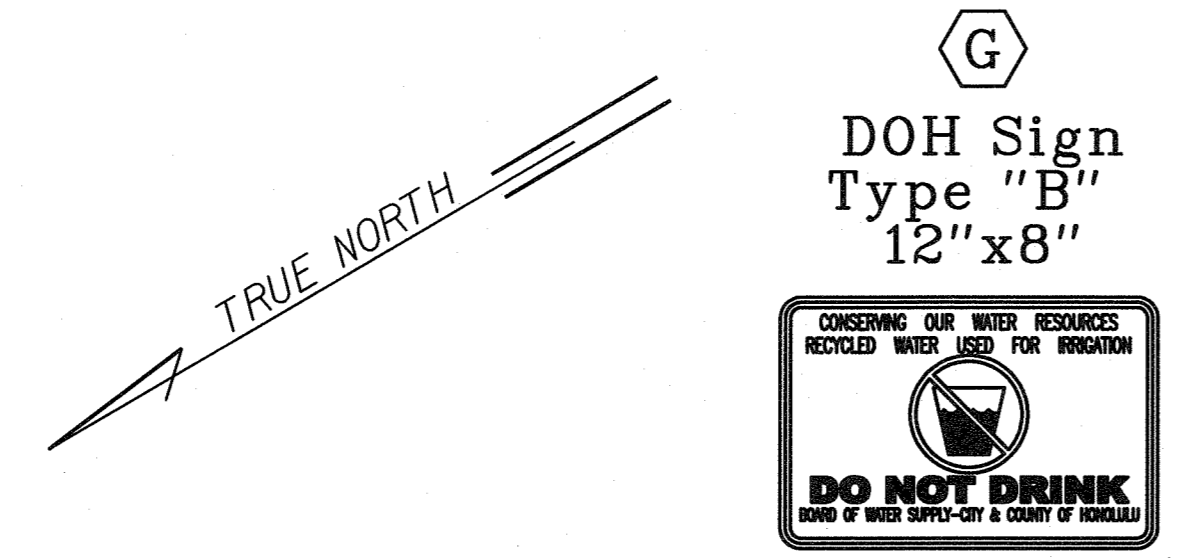
FED. ROAD DIST. NO.	STATE	FEDERAL AID PROJ. NO.	FISCAL YEAR	SHEET NO.	TOTAL SHEETS
HAWAII	HAW.	CMAQ-076-1(9)	2006	250	371

LEGEND FOR AS-BUILT POSTINGS

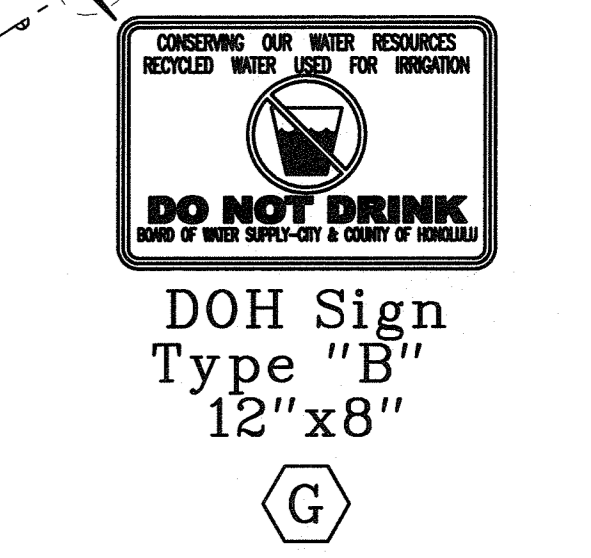
~~~~~ Squiggly line for as-built deletion

==00== Double line for as-built deletion

Roadway Text for as-built posting



Honolulu =>



Remove Exist. Pavement Arrow from Package 1 (5 each)

**NOTE:**  
See Legend on Sht. SS2-1.

DATE: \_\_\_\_\_  
 SURVEY PLOTTED BY: \_\_\_\_\_  
 DESIGNED BY: \_\_\_\_\_  
 CHECKED BY: \_\_\_\_\_  
 ORIGINAL PLAN: \_\_\_\_\_  
 NOTE BOOK: \_\_\_\_\_  
 QUANTITIES BY: \_\_\_\_\_  
 CHECKED BY: \_\_\_\_\_

66 FORT WEAVER ROAD, SIGN/SIGN4.dgn

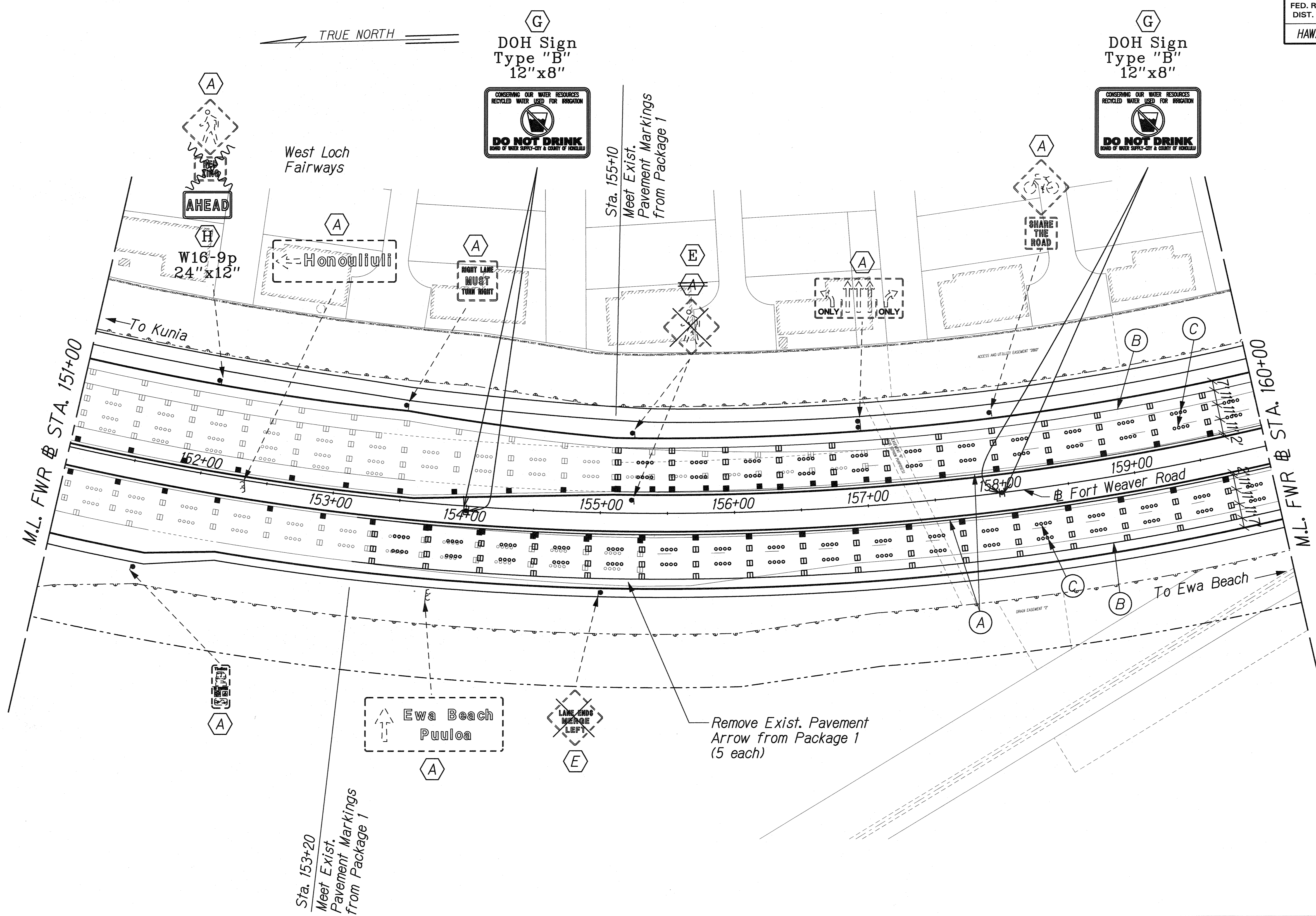
FRANK M. URASAKI  
 LICENSED PROFESSIONAL ENGINEER  
 No. 7269-C  
 HAWAII, U.S.A.  
 THIS WORK WAS PREPARED BY ME OR UNDER MY SUPERVISION.  
 SIGNATURE: *Frank M. Urasaki*  
 EXPIRATION DATE OF THE LICENSE: 04/30/10

STATE OF HAWAII  
 DEPARTMENT OF TRANSPORTATION  
 HIGHWAYS DIVISION  
**SIGNING & PAVEMENT MARKING PLAN**  
**STA. 141+00 TO 151+00**  
 FORT WEAVER ROAD WIDENING  
 VICINITY OF AWA DRIVE TO GEIGER ROAD  
 Scale: 1" = 40' Date: Feb. 22, 2008

SHEET No. SS2-2 OF 16 SHEETS

AS BUILT 250

| FED. ROAD DIST. NO. | STATE | FEDERAL AID PROJ. NO. | FISCAL YEAR | SHEET NO. | TOTAL SHEETS |
|---------------------|-------|-----------------------|-------------|-----------|--------------|
| HAWAII              | HAW.  | CMAQ-076-1(9)         | 2006        | 251       | 371          |



|                   |      |
|-------------------|------|
| SURVEY PLOTTED BY | DATE |
| DESIGNED BY       |      |
| TRACED BY         |      |
| NOTE BOOK         |      |
| QUANTITIES BY     |      |
| CHECKED BY        |      |

64 FORT WEAVER ROAD SIGN/SIGN5.dgn

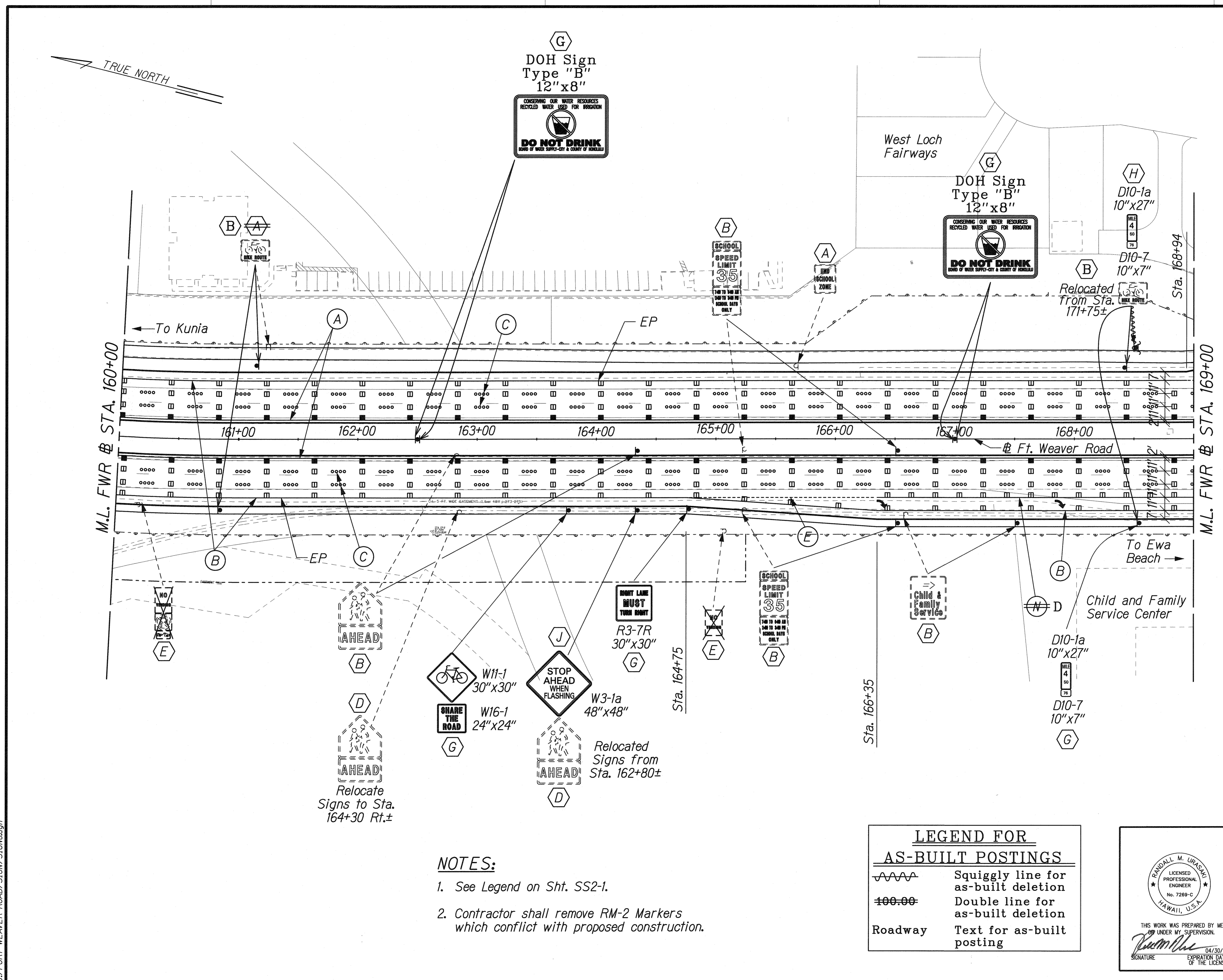
**NOTE:**  
See Legend on Sht. SS2-1.

| LEGEND FOR AS-BUILT POSTINGS |                                     |
|------------------------------|-------------------------------------|
|                              | Squiggly line for as-built deletion |
|                              | Double line for as-built deletion   |
| Roadway                      | Text for as-built posting           |

RANDALL M. URASKI  
 LICENSED PROFESSIONAL ENGINEER  
 No. 7269-C  
 HAWAII, USA  
 THIS WORK WAS PREPARED BY ME OR UNDER MY SUPERVISION.  
 SIGNATURE: *R. Uraski* EXPIRATION DATE OF LICENSE: 04/30/10

STATE OF HAWAII  
 DEPARTMENT OF TRANSPORTATION  
 HIGHWAYS DIVISION  
**SIGNING & PAVEMENT MARKING PLAN**  
**STA. 151+00 TO 160+00**  
 FORT WEAVER ROAD WIDENING  
 VICINITY OF AAWA DRIVE TO GEIGER ROAD  
 Scale: 1" = 40' Date: Feb. 22, 2008  
 SHEET No. SS2-3 OF 16 SHEETS

| FED. ROAD DIST. NO. | STATE | FEDERAL AID PROJ. NO. | FISCAL YEAR | SHEET NO. | TOTAL SHEETS |
|---------------------|-------|-----------------------|-------------|-----------|--------------|
| HAWAII              | HAW.  | CMAQ-076-1(9)         | 2006        | 252       | 371          |



|                   |       |
|-------------------|-------|
| DATE              | ..... |
| SURVEY PLOTTED BY | ..... |
| DESIGNED BY       | ..... |
| QUANTITIES BY     | ..... |
| CHECKED BY        | ..... |
| ORIGINAL PLAN     | ..... |
| NOTE BOOK         | ..... |
| No.               | ..... |

\\FORT-WEAVER-ROAD\SIGN\SIGN.dgn

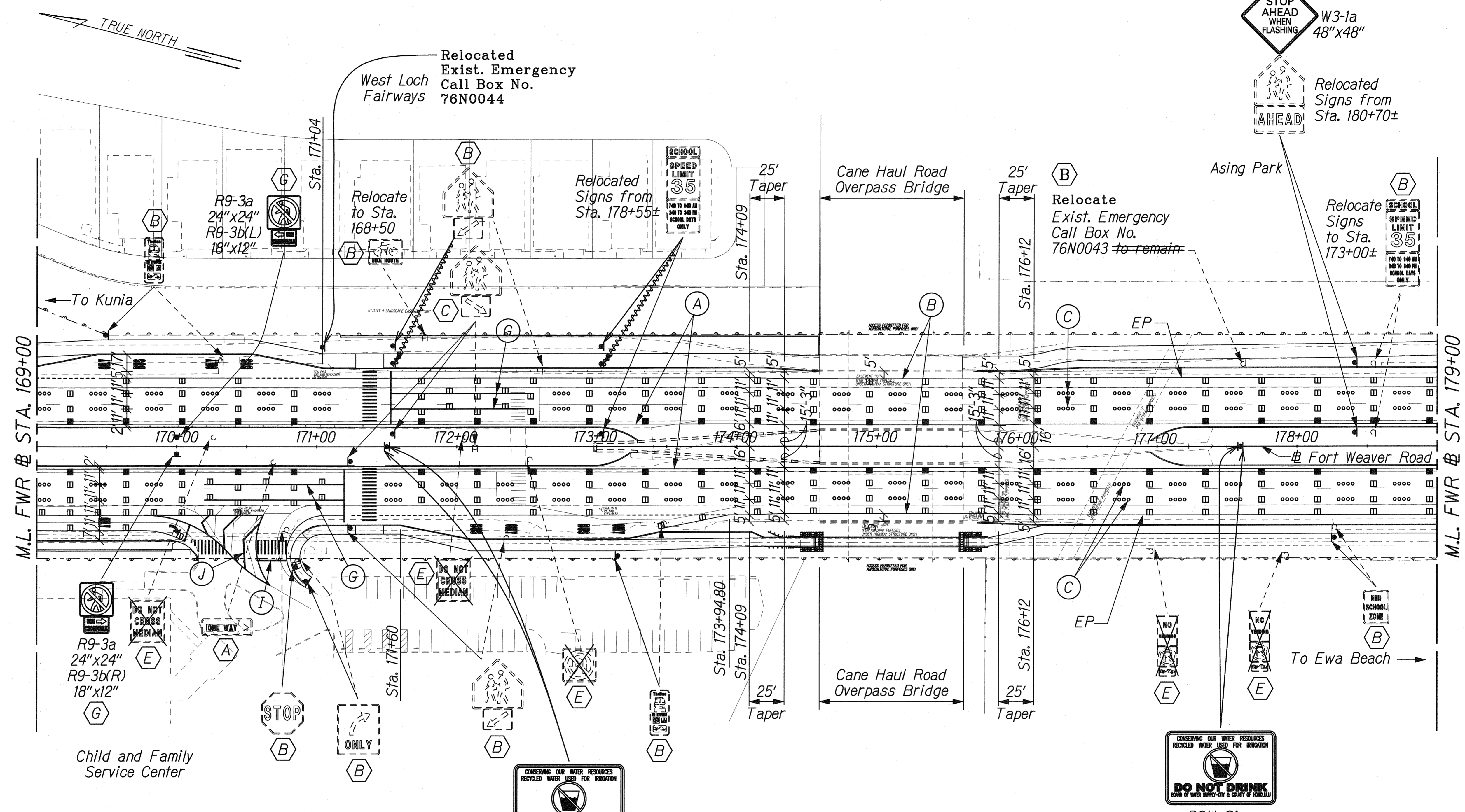
- NOTES:**
1. See Legend on Sht. SS2-1.
  2. Contractor shall remove RM-2 Markers which conflict with proposed construction.

| LEGEND FOR AS-BUILT POSTINGS |                                     |
|------------------------------|-------------------------------------|
|                              | Squiggly line for as-built deletion |
|                              | Double line for as-built deletion   |
| Roadway                      | Text for as-built posting           |

THIS WORK WAS PREPARED BY ME OR UNDER MY SUPERVISION.
   
 SIGNATURE: *Randall M. Urasaka*
  
 EXPIRATION DATE OF THE LICENSE: 04/30/10

STATE OF HAWAII  
 DEPARTMENT OF TRANSPORTATION  
 HIGHWAYS DIVISION  
**SIGNING & PAVEMENT MARKING PLAN**  
**STA. 160+00 TO 169+00**  
 FORT WEAVER ROAD WIDENING  
 VICINITY OF AAWA DRIVE TO GEIGER ROAD  
 Scale: 1" = 40'      Date: Feb. 22, 2008

| FED. ROAD DIST. NO. | STATE | FEDERAL AID PROJ. NO. | FISCAL YEAR | SHEET NO. | TOTAL SHEETS |
|---------------------|-------|-----------------------|-------------|-----------|--------------|
| HAWAII              | HAW.  | CMAQ-076-1(9)         | 2006        | 253       | 371          |



- NOTES:**
- See Sht. SS2-1 for Legend.
  - See Sht. R2-49 for crosswalk alignment.
  - Contractor shall remove RM-2 Markers which conflict with proposed construction.

**LEGEND FOR AS-BUILT POSTINGS**

|         |                                     |
|---------|-------------------------------------|
|         | Squiggly line for as-built deletion |
|         | Double line for as-built deletion   |
| Roadway | Text for as-built posting           |

|                   |      |
|-------------------|------|
| SURVEY PLOTTED BY | DATE |
| DESIGNED BY       |      |
| TRACED BY         |      |
| NOTE BOOK         |      |
| QUANTITIES BY     |      |
| CHECKED BY        |      |

64 FORT WEAVER ROAD, SIGN/SIGN/4gn



DOH Sign Type "B" 12"x8"

STATE OF HAWAII  
DEPARTMENT OF TRANSPORTATION  
HIGHWAYS DIVISION

**SIGNING & PAVEMENT MARKING PLAN**  
**STA. 169+00 TO 179+00**

FORT WEAVER ROAD WIDENING  
VICINITY OF AAWA DRIVE TO GEIGER ROAD

Scale: 1" = 40' Date: Feb. 22, 2008

SHEET No. SS2-5 OF 16 SHEETS

AS BUILT 253

STATE OF HAWAII  
DEPARTMENT OF TRANSPORTATION  
HIGHWAYS DIVISION

**SIGNING & PAVEMENT MARKING PLAN**  
**STA. 169+00 TO 179+00**

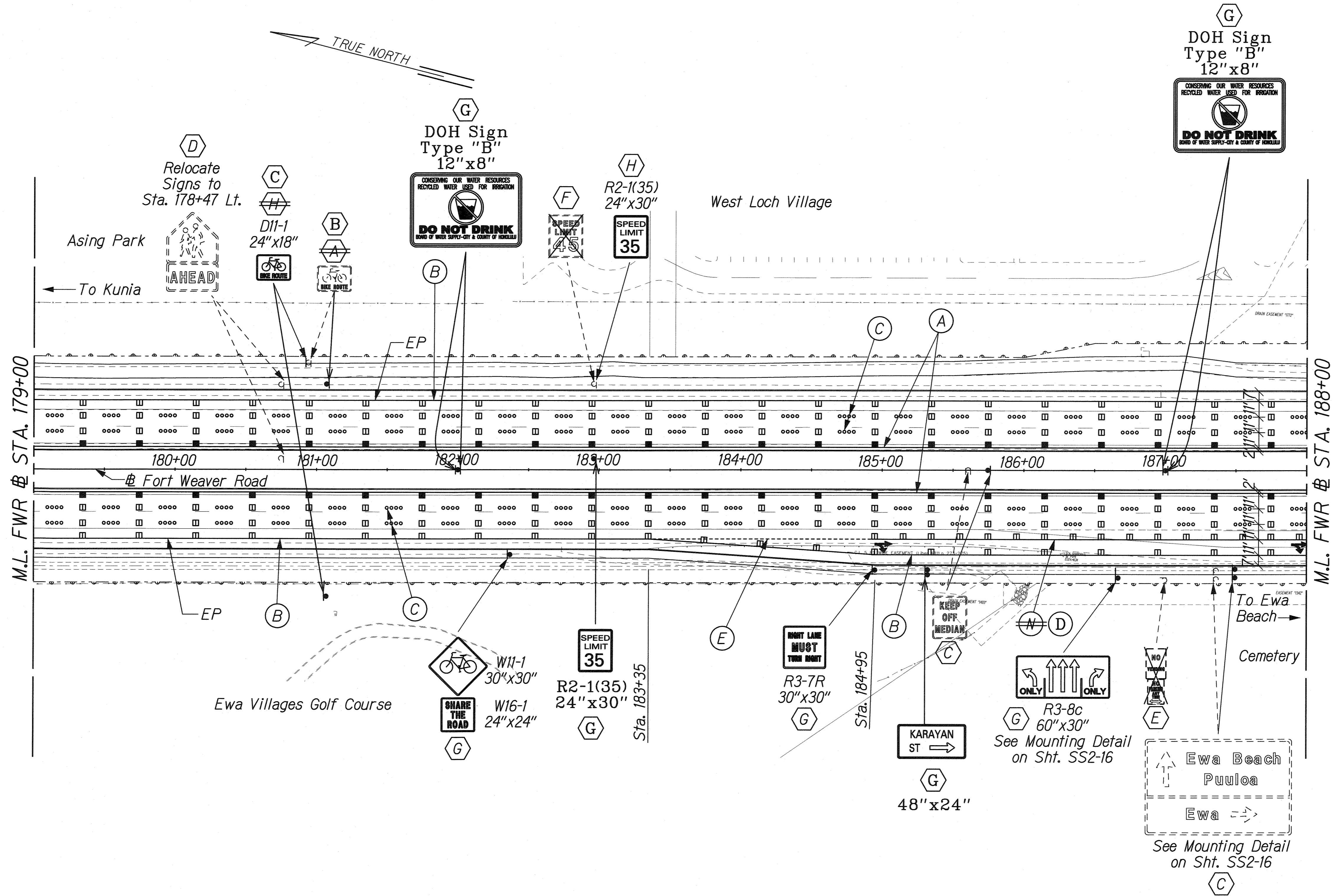
FORT WEAVER ROAD WIDENING  
VICINITY OF AAWA DRIVE TO GEIGER ROAD

Scale: 1" = 40' Date: Feb. 22, 2008

SHEET No. SS2-5 OF 16 SHEETS

AS BUILT 253

| FED. ROAD DIST. NO. | STATE | FEDERAL AID PROJ. NO. | FISCAL YEAR | SHEET NO. | TOTAL SHEETS |
|---------------------|-------|-----------------------|-------------|-----------|--------------|
| HAWAII              | HAW.  | CMAQ-076-1(9)         | 2006        | 254       | 371          |



- NOTES:**
- See Sht. SS2-1 for Legend.
  - Contractor shall remove RM-2 Markers which conflict with proposed construction.

| LEGEND FOR AS-BUILT POSTINGS |                                     |
|------------------------------|-------------------------------------|
|                              | Scraggly line for as-built deletion |
|                              | Double line for as-built deletion   |
| Roadway                      | Text for as-built posting           |

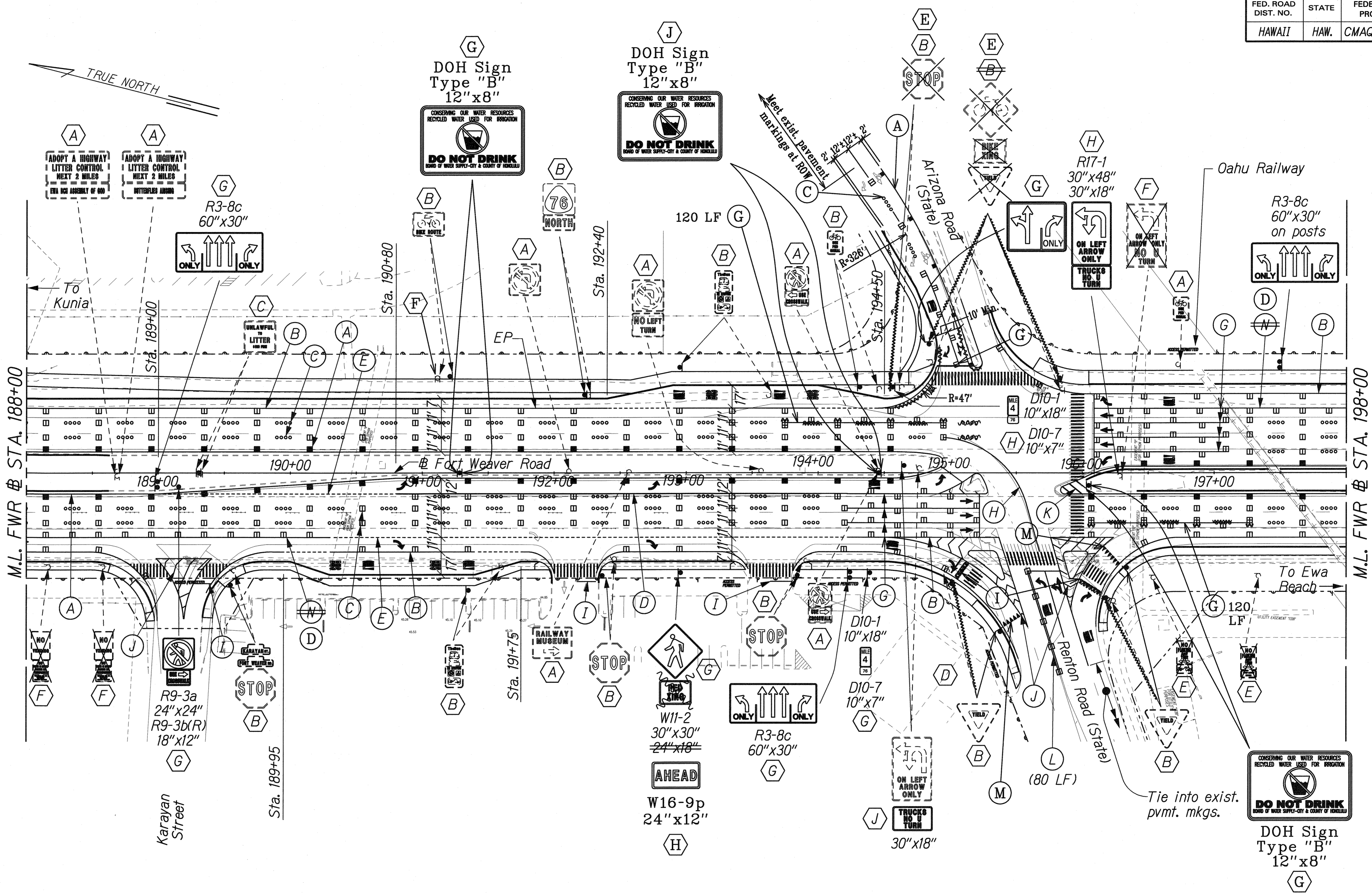
RANDALL M. URAKAWA  
 LICENSED PROFESSIONAL ENGINEER  
 No. 7289-C  
 HAWAII, U.S.A.  
 THIS WORK WAS PREPARED BY ME OR UNDER MY SUPERVISION.  
 SIGNATURE: *R. Urakawa* DATE: 04/30/10  
 EXPIRATION DATE OF THE LICENSE:

STATE OF HAWAII  
 DEPARTMENT OF TRANSPORTATION  
 HIGHWAYS DIVISION  
**SIGNING & PAVEMENT MARKING PLAN**  
**STA. 179+00 TO 188+00**  
 FORT WEAVER ROAD WIDENING  
 VICINITY OF AAWA DRIVE TO GEIGER ROAD  
 Scale: 1" = 40' Date: Feb. 22, 2008  
 SHEET No. SS2-6 OF 16 SHEETS

|                   |      |
|-------------------|------|
| SURVEY PLOTTED BY | DATE |
| DESIGNED BY       |      |
| QUANTITIES BY     |      |
| CHECKED BY        |      |
| ORIGINAL PLAN     |      |
| NOTE BOOK         |      |
| No.               |      |

L:\FORT WEAVER ROAD\SIGN\SIGN18.dgn

| FED. ROAD DIST. NO. | STATE | FEDERAL AID PROJ. NO. | FISCAL YEAR | SHEET NO. | TOTAL SHEETS |
|---------------------|-------|-----------------------|-------------|-----------|--------------|
| HAWAII              | HAW.  | CMAQ-076-1(9)         | 2006        | 255       | 371          |



|                   |      |
|-------------------|------|
| SURVEY PLOTTED BY | DATE |
| DRAWN BY          |      |
| DESIGNED BY       |      |
| QUANTITIES BY     |      |
| CHECKED BY        |      |
| ORIGINAL PLAN     |      |
| NOTE BOOK         |      |
| NO.               |      |

J:\FORT WEAVER ROAD\SIGN\SIGN3.dgn

- NOTES:**
- See Sht. SS2-1 for Legend.
  - See Shts. R2-51 and R2-53 for crosswalk alignment.
  - Contractor shall remove RM-2 Markers which conflict with proposed construction.

**LEGEND FOR AS-BUILT POSTINGS**

|         |                                     |
|---------|-------------------------------------|
|         | Squiggly line for as-built deletion |
|         | Double line for as-built deletion   |
| Roadway | Text for as-built posting           |

STATE OF HAWAII  
DEPARTMENT OF TRANSPORTATION  
HIGHWAYS DIVISION

**SIGNING & PAVEMENT MARKING PLAN**  
**STA. 188+00 TO 198+00**

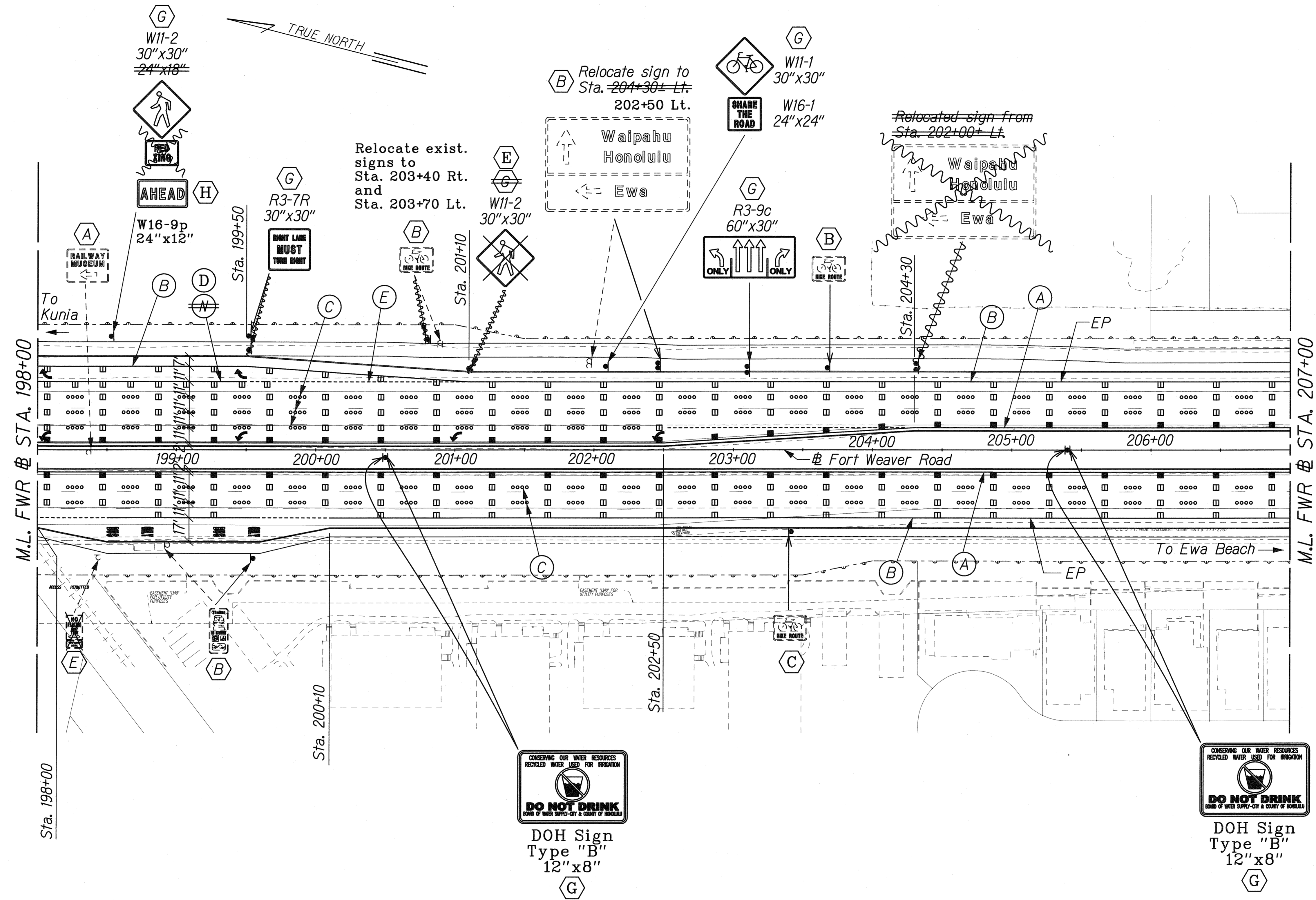
FORT WEAVER ROAD WIDENING  
VICINITY OF AAWA DRIVE TO GEIGER ROAD

Scale: 1" = 40'      Date: Feb. 22, 2008

SHEET No. SS2-7 OF 16 SHEETS

AS BUILT **255**

| FED. ROAD DIST. NO. | STATE | FEDERAL AID PROJ. NO. | FISCAL YEAR | SHEET NO. | TOTAL SHEETS |
|---------------------|-------|-----------------------|-------------|-----------|--------------|
| HAWAII              | HAW.  | CMAQ-076-1(9)         | 2006        | 256       | 371          |



|                   |       |
|-------------------|-------|
| DATE              | _____ |
| SURVEY PLOTTED BY | _____ |
| DESIGNED BY       | _____ |
| QUANTITIES BY     | _____ |
| CHECKED BY        | _____ |
| ORIGINAL PLAN     | _____ |
| NOTE BOOK         | _____ |
| No.               | _____ |

64 FORT WEAVER ROAD SIGN/STG1010.dgn

**NOTE:**  
See Sht. SS2-1 for Legend.

DOH Sign  
Type "B"  
12"x8"  
G

DOH Sign  
Type "B"  
12"x8"  
G

**LEGEND FOR AS-BUILT POSTINGS**

|         |                                     |
|---------|-------------------------------------|
|         | Squiggly line for as-built deletion |
|         | Double line for as-built deletion   |
| Roadway | Text for as-built posting           |

FRANK M. M. URASAKI  
LICENSED PROFESSIONAL ENGINEER  
No. 7269-C  
HAWAII, U.S.A.

THIS WORK WAS PREPARED BY ME OR UNDER MY SUPERVISION.  
SIGNATURE: *Frank M. M. Urasaki* 04/30/10  
EXPIRATION DATE OF THE LICENSE:

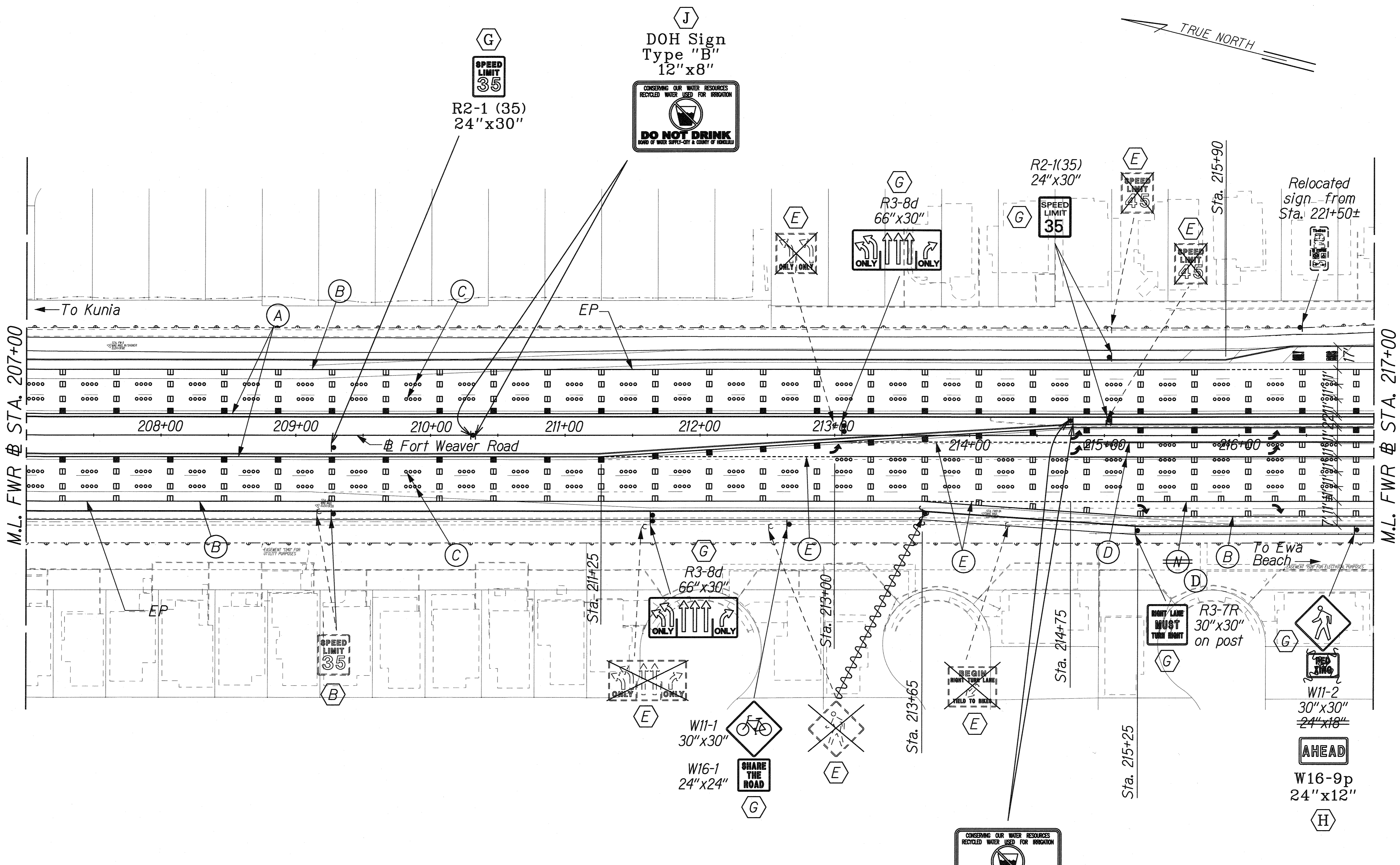
STATE OF HAWAII  
DEPARTMENT OF TRANSPORTATION  
HIGHWAYS DIVISION

**SIGNING & PAVEMENT MARKING PLAN**  
**STA. 198+00 TO 207+00**

FORT WEAVER ROAD WIDENING  
VICINITY OF AAWA DRIVE TO GEIGER ROAD

Scale: 1" = 40' Date: Feb. 22, 2008

| FED. ROAD DIST. NO. | STATE | FEDERAL AID PROJ. NO. | FISCAL YEAR | SHEET NO. | TOTAL SHEETS |
|---------------------|-------|-----------------------|-------------|-----------|--------------|
| HAWAII              | HAW.  | CMAQ-076-1(9)         | 2006        | 257       | 371          |



|                   |      |
|-------------------|------|
| SURVEY PLOTTED BY | DATE |
| DESIGNED BY       |      |
| QUANTITIES BY     |      |
| CHECKED BY        |      |
| ORIGINAL PLAN     |      |
| NOTE BOOK         |      |
| No.               |      |

1/4 FORT WEAVER ROAD, SIGN/SIGN/10/09

**NOTE:**  
See Sht. SS2-1 for Legend.

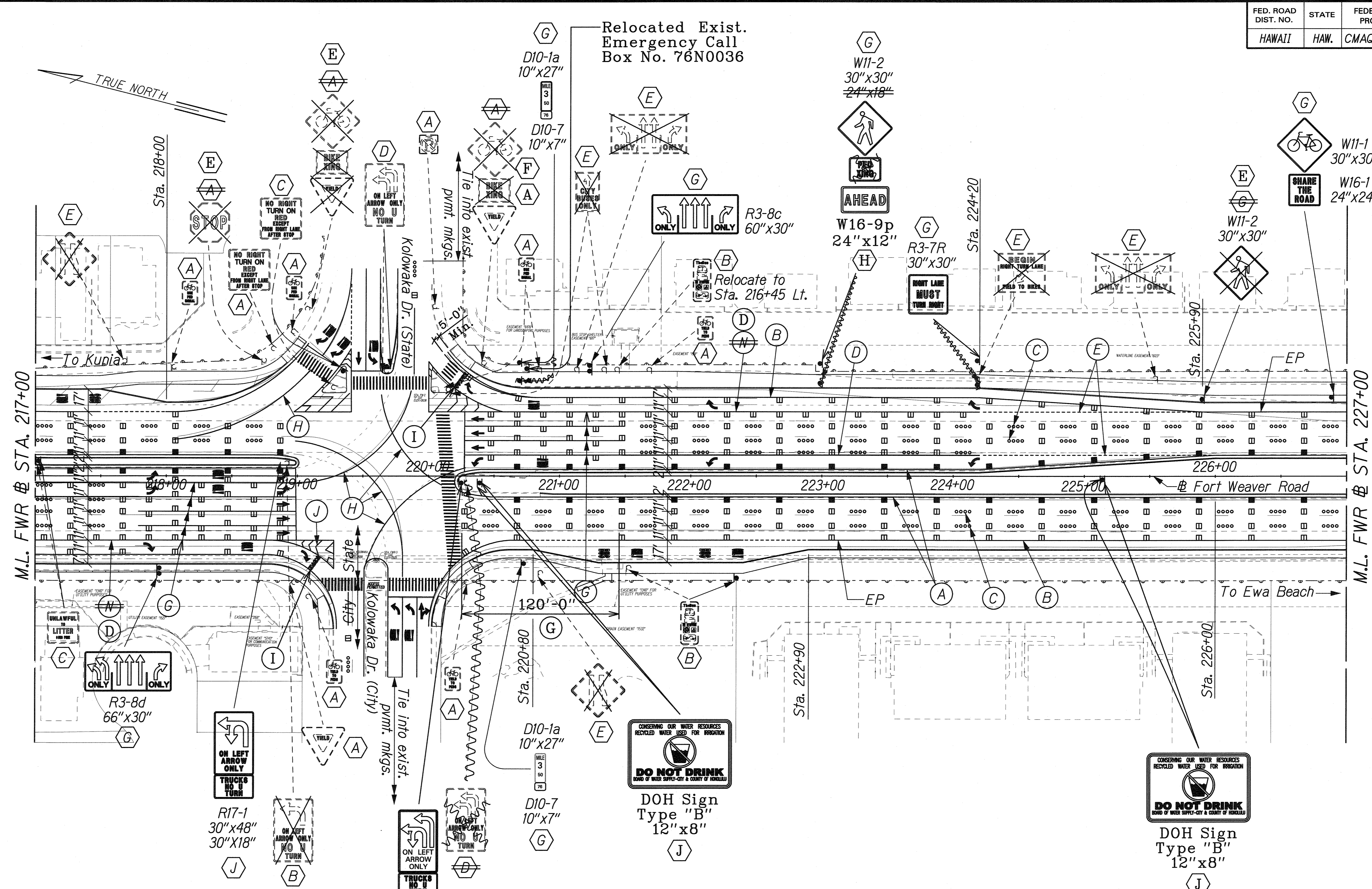
| LEGEND FOR AS-BUILT POSTINGS |                                     |
|------------------------------|-------------------------------------|
|                              | Squiggly line for as-built deletion |
|                              | Double line for as-built deletion   |
| Roadway                      | Text for as-built posting           |

DOH Sign Type "B" 12"x8"  
G

FRANK M. URASAKI  
LICENSED PROFESSIONAL ENGINEER  
No. 7269-C  
HAWAII, U.S.A.  
THIS WORK WAS PREPARED BY ME OR UNDER MY SUPERVISION.  
SIGNATURE: *Frank M. Urasaki*  
EXPIRATION DATE OF THE LICENSE: 04/30/10

STATE OF HAWAII  
DEPARTMENT OF TRANSPORTATION  
HIGHWAYS DIVISION  
**SIGNING & PAVEMENT MARKING PLAN**  
**STA. 207+00 TO 217+00**  
FORT WEAVER ROAD WIDENING  
VICINITY OF AAWA DRIVE TO GEIGER ROAD  
Scale: 1" = 40' Date: Feb. 22, 2008  
SHEET No. SS2-9 OF 16 SHEETS

| FED. ROAD DIST. NO. | STATE | FEDERAL AID PROJ. NO. | FISCAL YEAR | SHEET NO. | TOTAL SHEETS |
|---------------------|-------|-----------------------|-------------|-----------|--------------|
| HAWAII              | HAW.  | CMAQ-076-1(9)         | 2006        | 258       | 371          |



- NOTES:**
1. See Sht. SS2-1 for Legend.
  2. See Sht. R2-57 for crosswalk alignment.
  3. Contractor shall remove RM-2 Markers which conflict with proposed construction.

**LEGEND FOR AS-BUILT POSTINGS**

|         |                                     |
|---------|-------------------------------------|
|         | Squiggly line for as-built deletion |
|         | Double line for as-built deletion   |
| Roadway | Text for as-built posting           |

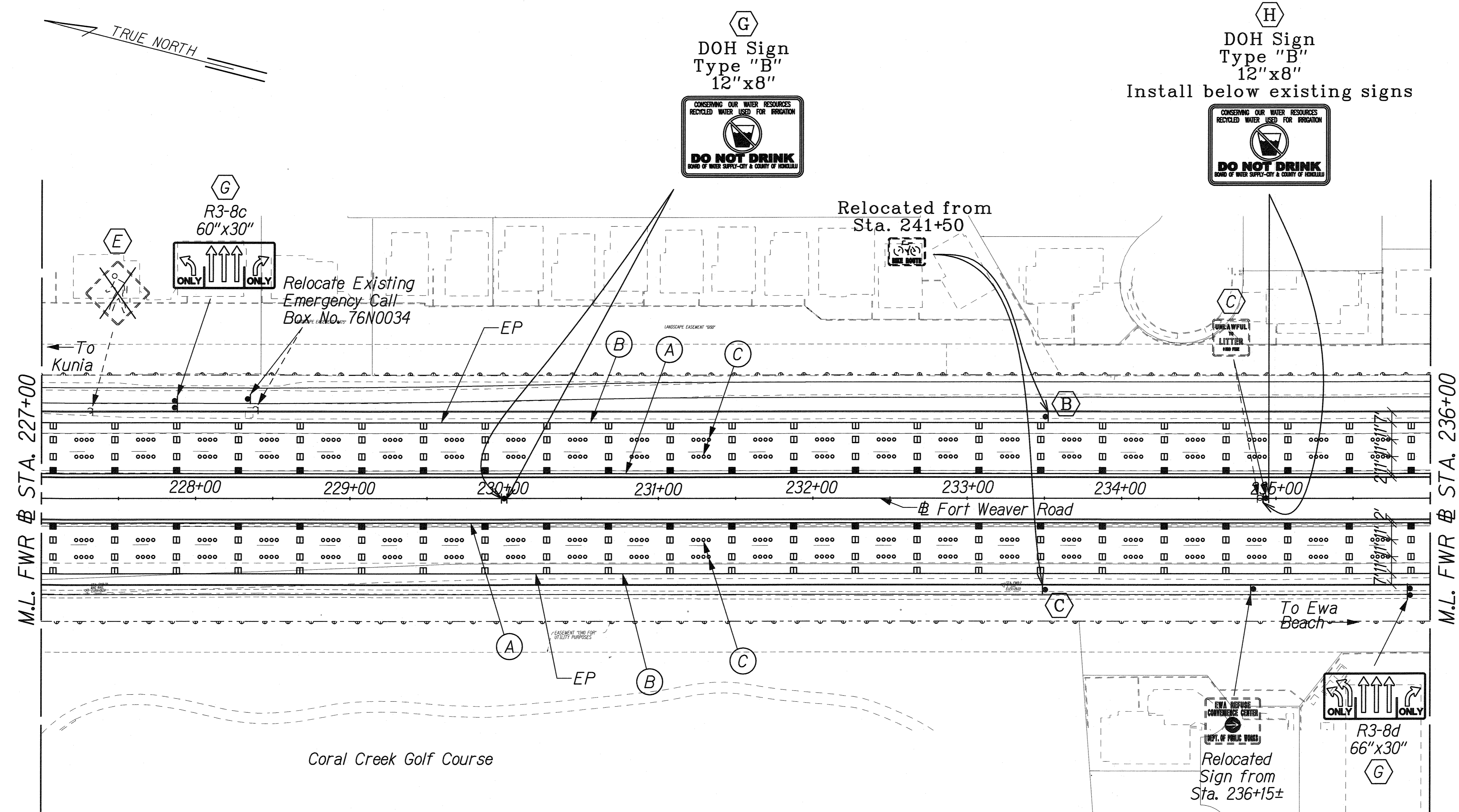
THIS WORK WAS PREPARED BY ME OR UNDER MY SUPERVISION.  
 SIGNATURE: *Randall M. Urasaka* DATE: 04/30/10  
 EXPIRATION DATE OF THE LICENSE:

STATE OF HAWAII  
 DEPARTMENT OF TRANSPORTATION  
 HIGHWAYS DIVISION  
**SIGNING & PAVEMENT MARKING PLAN**  
**STA. 217+00 TO 227+00**  
 FORT WEAVER ROAD WIDENING  
 VICINITY OF AAWA DRIVE TO GEIGER ROAD  
 Scale: 1" = 40' Date: Feb. 22, 2008  
 SHEET No. SS2-10 OF 16 SHEETS

|                   |      |
|-------------------|------|
| SURVEY PLOTTED BY | DATE |
| DESIGNED BY       |      |
| QUANTITIES BY     |      |
| CHECKED BY        |      |
| ORIGINAL PLAN     |      |
| NOTE BOOK         |      |
| No.               |      |

I:\FORT WEAVER ROAD\SIGN\SIGN2.dgn

| FED. ROAD DIST. NO. | STATE | FEDERAL AID PROJ. NO. | FISCAL YEAR | SHEET NO. | TOTAL SHEETS |
|---------------------|-------|-----------------------|-------------|-----------|--------------|
| HAWAII              | HAW.  | CMAQ-076-1(9)         | 2006        | 259       | 371          |



TRUE NORTH

G  
DOH Sign  
Type "B"  
12"x8"  
DO NOT DRINK  
BOARD OF WATER SUPPLY-CITY & COUNTY OF HONOLULU

H  
DOH Sign  
Type "B"  
12"x8"  
Install below existing signs  
DO NOT DRINK  
BOARD OF WATER SUPPLY-CITY & COUNTY OF HONOLULU

G  
R3-8c  
60"x30"  
Relocate Existing  
Emergency Call  
Box No. 76N0034

Relocated from  
Sta. 241+50

G  
R3-8d  
66"x30"  
Relocated  
Sign from  
Sta. 236+15±

M.L. FWR # STA. 227+00

M.L. FWR # STA. 236+00

228+00 229+00 230+00 231+00 232+00 233+00 234+00 235+00

Fort Weaver Road

To Ewa Beach

Coral Creek Golf Course

|                   |      |
|-------------------|------|
| SURVEY PLOTTED BY | DATE |
| DESIGNED BY       |      |
| NOTED BY          |      |
| CHECKED BY        |      |

64/FORT WEAVER ROAD/SIGN/SIGN259.dgn

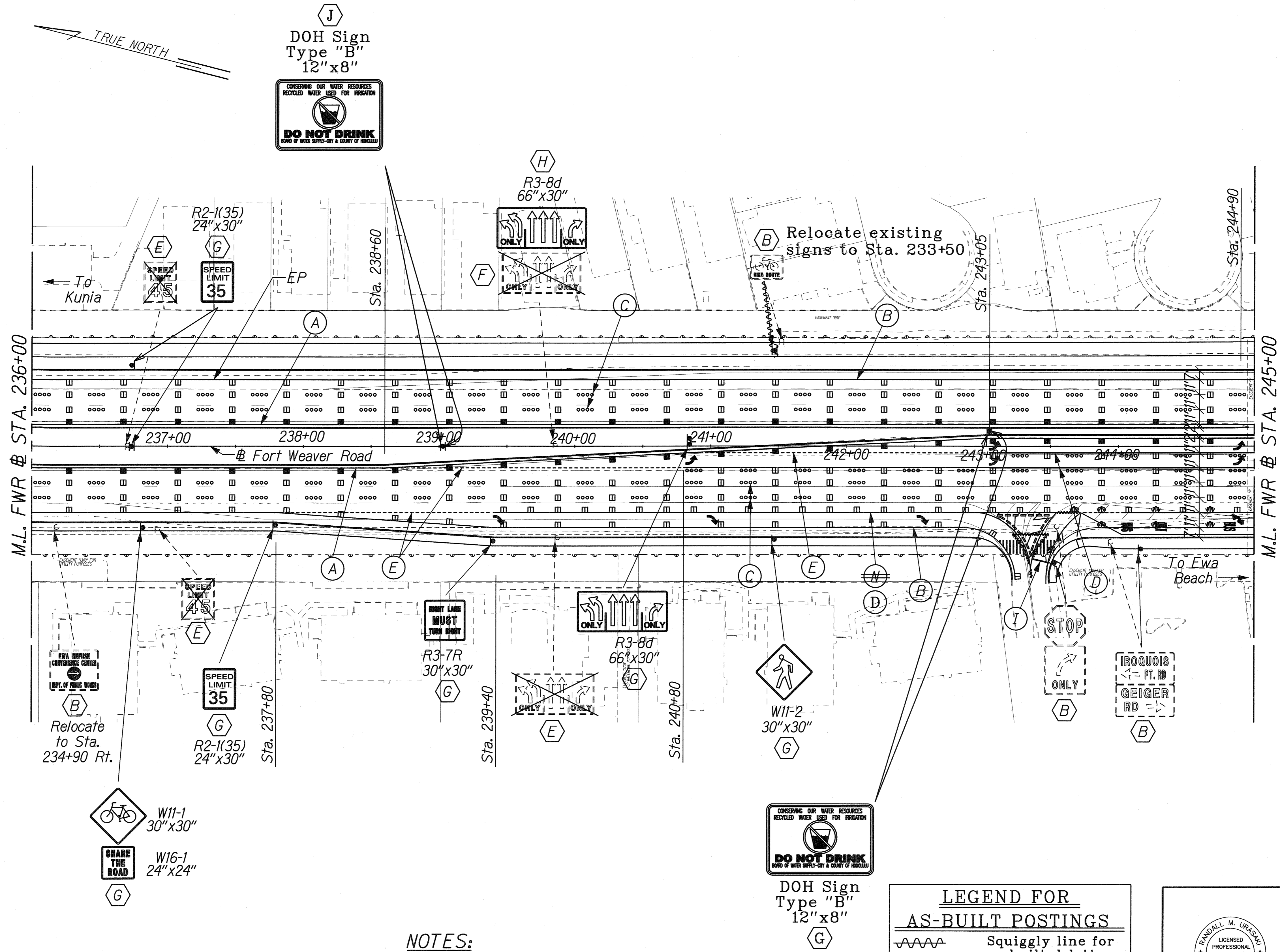
NOTE:  
See Legend on Sht. SS2-1.

| LEGEND FOR AS-BUILT POSTINGS |                                     |
|------------------------------|-------------------------------------|
|                              | Squiggly line for as-built deletion |
|                              | Double line for as-built deletion   |
| Roadway                      | Text for as-built posting           |

RANDALL M. URASAKA  
 LICENSED PROFESSIONAL ENGINEER  
 No. 7269-C  
 HAWAII, USA  
 THIS WORK WAS PREPARED BY ME OR UNDER MY SUPERVISION.  
 SIGNATURE: *R. Urasaka*  
 EXPIRATION DATE OF THE LICENSE: 04/30/10

STATE OF HAWAII  
 DEPARTMENT OF TRANSPORTATION  
 HIGHWAYS DIVISION  
**SIGNING & PAVEMENT MARKING PLAN**  
**STA. 227+00 TO 236+00**  
 FORT WEAVER ROAD WIDENING  
 VICINITY OF AAWA DRIVE TO GEIGER ROAD  
 Scale: 1" = 40' Date: Feb. 22, 2008  
 SHEET No. SS2-11 OF 16 SHEETS

| FED. ROAD DIST. NO. | STATE | FEDERAL AID PROJ. NO. | FISCAL YEAR | SHEET NO. | TOTAL SHEETS |
|---------------------|-------|-----------------------|-------------|-----------|--------------|
| HAWAII              | HAW.  | CMAQ-076-1(9)         | 2006        | 260       | 371          |



M.L. FWR @ STA. 236+00

M.L. FWR @ STA. 245+00

Relocate to Sta. 234+90 Rt.

DOH Sign Type "B" 12"x8"

**LEGEND FOR AS-BUILT POSTINGS**

|         |                                     |
|---------|-------------------------------------|
|         | Squiggly line for as-built deletion |
|         | Double line for as-built deletion   |
| Roadway | Text for as-built posting           |

- NOTES:**
- See Legend on Sht. SS2-1.
  - See Sht. R2-60 for crosswalk alignment.

RANDALL M. URASAKI  
 LICENSED PROFESSIONAL ENGINEER  
 No. 7269-C  
 HAWAII, U.S.A.

THIS WORK WAS PREPARED BY ME OR UNDER MY SUPERVISION.  
 SIGNATURE: *R. Urasaki* 04/30/10  
 EXPIRATION DATE OF THE LICENSE

STATE OF HAWAII  
 DEPARTMENT OF TRANSPORTATION  
 HIGHWAYS DIVISION

**SIGNING & PAVEMENT MARKING PLAN**  
**STA. 236+00 TO 245+00**

FORT WEAVER ROAD WIDENING  
 VICINITY OF AAWA DRIVE TO GEIGER ROAD

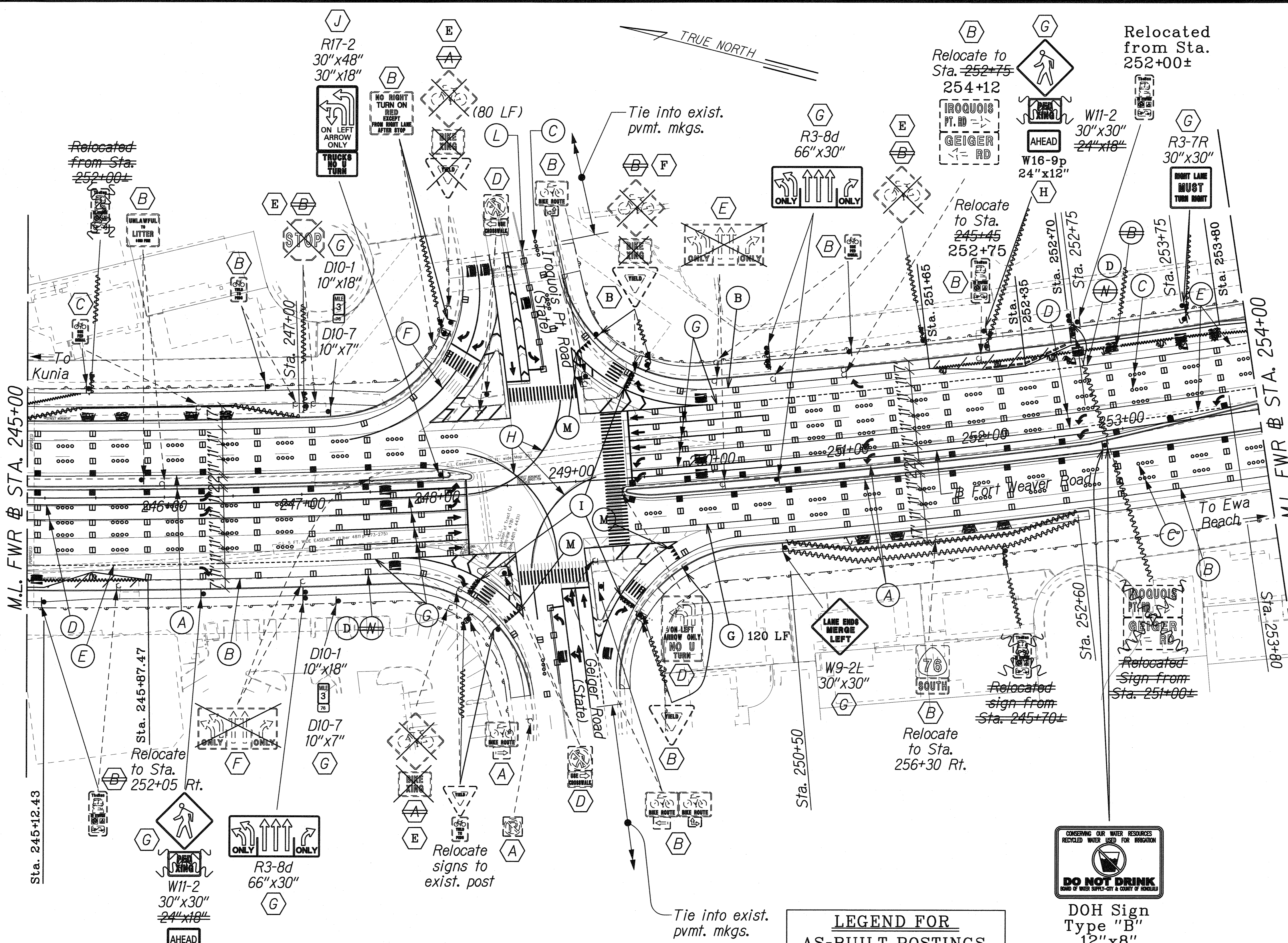
Scale: 1" = 40' Date: Feb. 22, 2008

SHEET No. SS2-12 OF 16 SHEETS

|                   |      |
|-------------------|------|
| SURVEY PLOTTED BY | DATE |
| DESIGNED BY       |      |
| QUANTITIES BY     |      |
| CHECKED BY        |      |
| ORIGINAL PLAN     |      |
| NOTE BOOK         |      |
| No.               |      |

L:\FORT WEAVER ROAD\SIGN\SIGN14.dgn

| FED. ROAD DIST. NO. | STATE | FEDERAL AID PROJ. NO. | FISCAL YEAR | SHEET NO. | TOTAL SHEETS |
|---------------------|-------|-----------------------|-------------|-----------|--------------|
| HAWAII              | HAW.  | CMAQ-076-1(9)         | 2006        | 261       | 371          |



- NOTES:**
1. See Sht. SS2-1 for Legend.
  2. See Sht. R2-61 for crosswalk alignment.

**LEGEND FOR AS-BUILT POSTINGS**

|         |                                     |
|---------|-------------------------------------|
|         | Squiggly line for as-built deletion |
|         | Double line for as-built deletion   |
| Roadway | Text for as-built posting           |

DOH Sign Type "B" 12"x8"

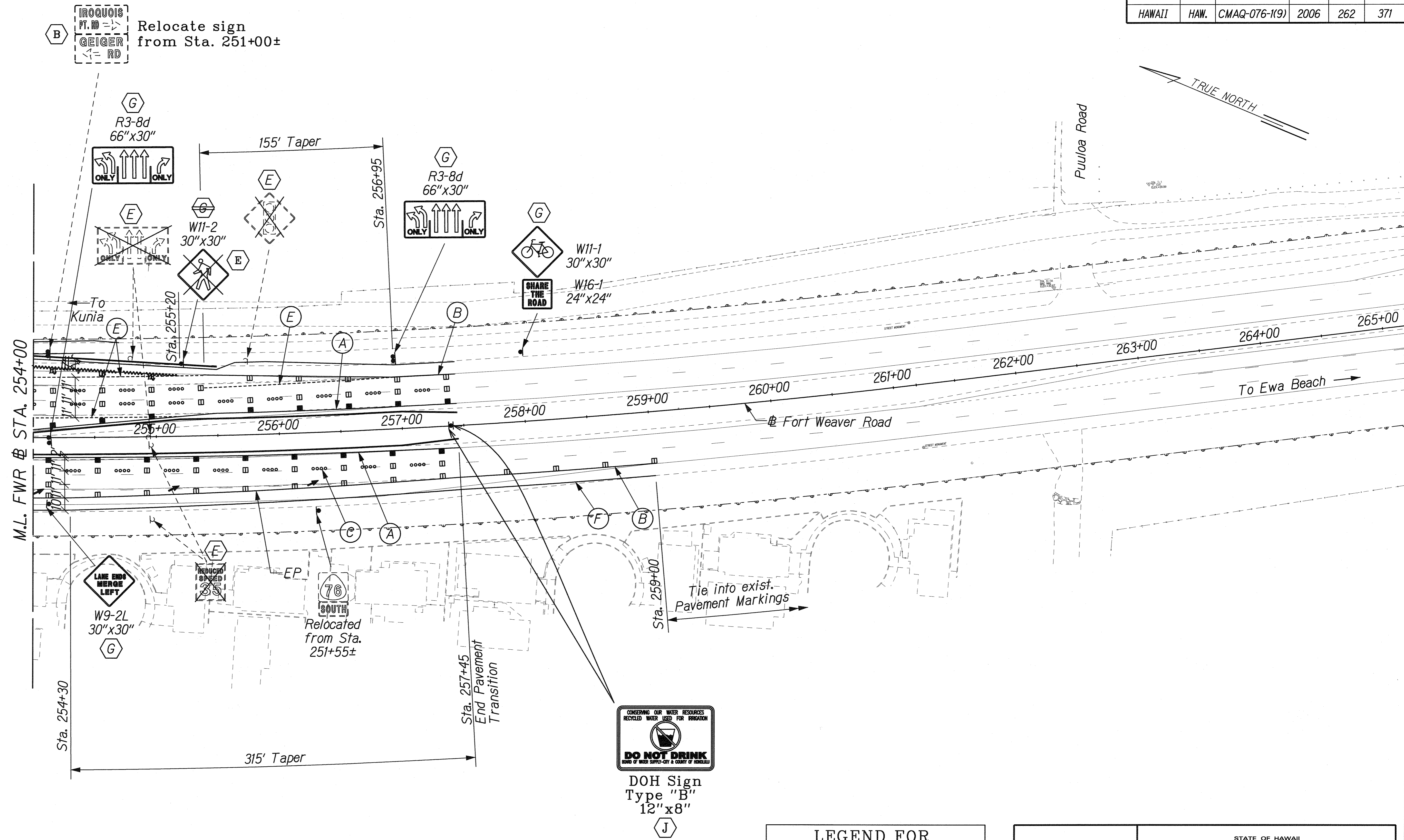
|                   |      |
|-------------------|------|
| SURVEY PLOTTED BY | DATE |
| DESIGNED BY       |      |
| QUANTITIES BY     |      |
| CHECKED BY        |      |
| ORIGINAL PLAN     |      |
| NOTE BOOK         |      |
| NO.               |      |

4-FORT WEAVER ROAD/SIGN/STG15.sgn

FRANK M. URASAKI  
 LICENSED PROFESSIONAL ENGINEER  
 No. 7269-C  
 HAWAII, U.S.A.  
 THIS WORK WAS PREPARED BY ME OR UNDER MY SUPERVISION.  
 SIGNATURE: *Frank M. Urasaki* EXPIRATION DATE OF THE LICENSE: 04/30/10

STATE OF HAWAII  
 DEPARTMENT OF TRANSPORTATION  
 HIGHWAYS DIVISION  
**SIGNING & PAVEMENT MARKING PLAN**  
**STA. 245+00 TO 254+00**  
 FORT WEAVER ROAD WIDENING  
 VICINITY OF AAWA DRIVE TO GEIGER ROAD  
 Scale: 1" = 40' Date: Feb. 22, 2008  
 SHEET No. SS2-13 OF 16 SHEETS

| FED. ROAD DIST. NO. | STATE | FEDERAL AID PROJ. NO. | FISCAL YEAR | SHEET NO. | TOTAL SHEETS |
|---------------------|-------|-----------------------|-------------|-----------|--------------|
| HAWAII              | HAW.  | CMAQ-076-1(9)         | 2006        | 262       | 371          |



**NOTE:**  
See Sht. SS2-1 for Legend.

DOH Sign  
Type "B"  
12" x 8"  
J

| LEGEND FOR AS-BUILT POSTINGS |                                     |
|------------------------------|-------------------------------------|
|                              | Squiggly line for as-built deletion |
|                              | Double line for as-built deletion   |
| Roadway                      | Text for as-built posting           |

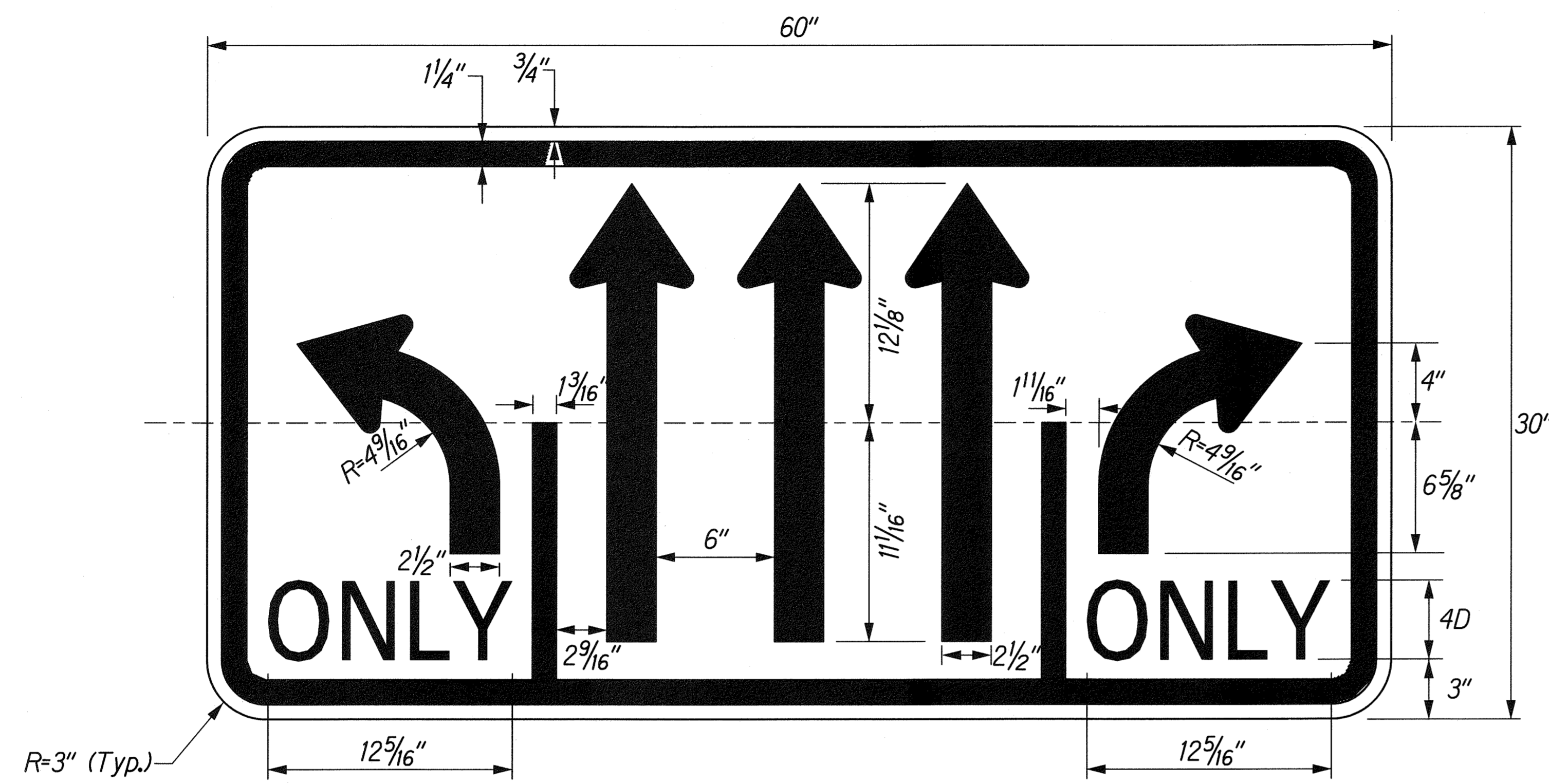
THIS WORK WAS PREPARED BY ME OR UNDER MY SUPERVISION.  
 SIGNATURE: *R. Urasaka*      04/30/10  
 EXPIRATION DATE OF THE LICENSE

STATE OF HAWAII  
 DEPARTMENT OF TRANSPORTATION  
 HIGHWAYS DIVISION  
**SIGNING & PAVEMENT MARKING PLAN**  
**STA. 254+00 TO 265+00**  
 FORT WEAVER ROAD WIDENING  
 VICINITY OF AAWA DRIVE TO GEIGER ROAD  
 Scale: 1" = 40'      Date: Feb. 22, 2008  
 SHEET No. SS2-14 OF 16 SHEETS

|                   |      |
|-------------------|------|
| SURVEY PLOTTED BY | DATE |
| DESIGNED BY       |      |
| TRACED BY         |      |
| NOTE BOOK         |      |
| QUANTITIES BY     |      |
| CHECKED BY        |      |

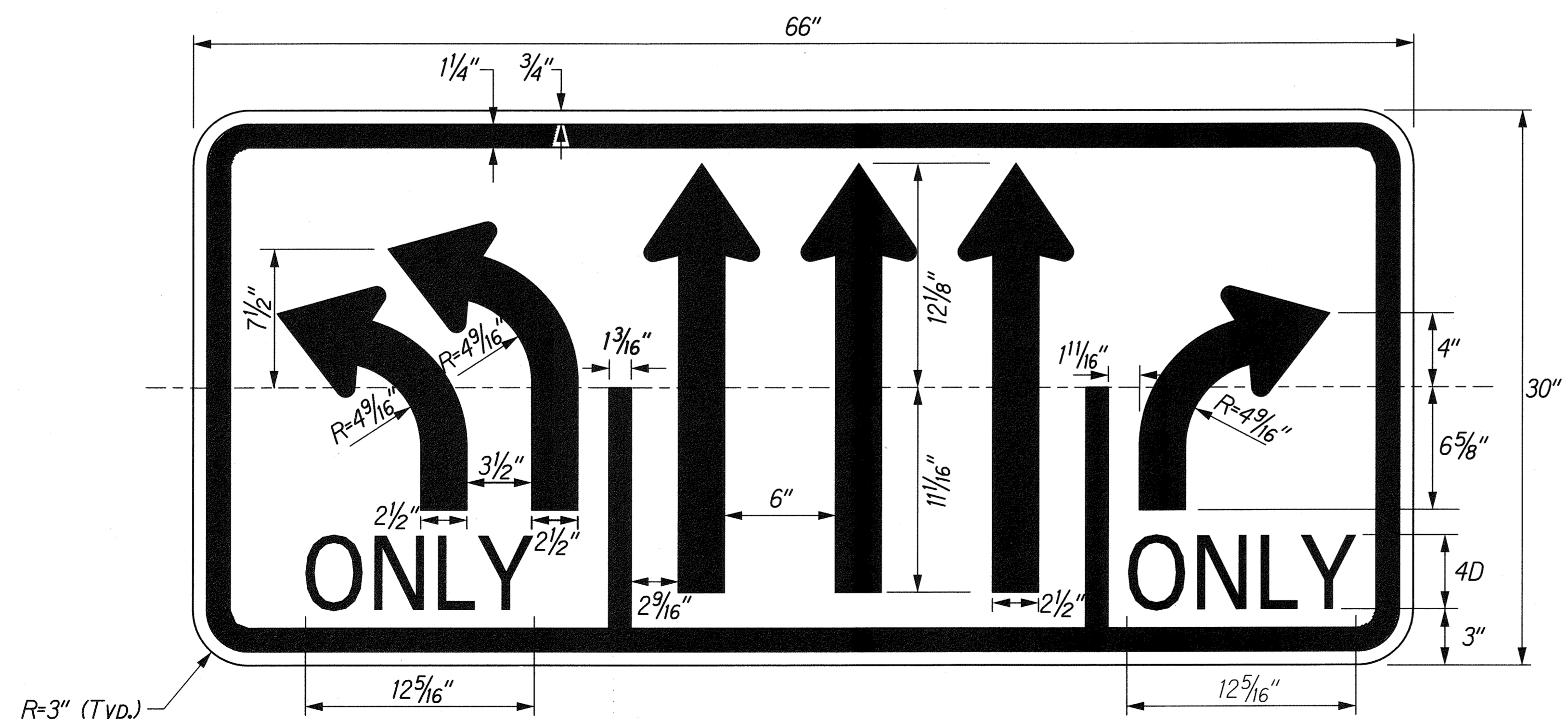
I:\FORT WEAVER ROAD\SIGN\SIGN16.dgn

| FED. ROAD DIST. NO. | STATE | FEDERAL AID PROJ. NO. | FISCAL YEAR | SHEET NO. | TOTAL SHEETS |
|---------------------|-------|-----------------------|-------------|-----------|--------------|
| HAWAII              | HAW.  | CMAQ-076-1(9)         | 2006        | 263       | 371          |



Legend: Black  
Background: White (Retroreflective)

R3-8c  
Scale: 1" = 5"



Legend: Black  
Background: White (Retroreflective)

R3-8d  
Scale: 1" = 5"

|             |      |
|-------------|------|
| DESIGNED BY | DATE |
| DRAWN BY    |      |
| CHECKED BY  |      |
| IN CHARGE   |      |
| DATE        |      |
| NO.         |      |

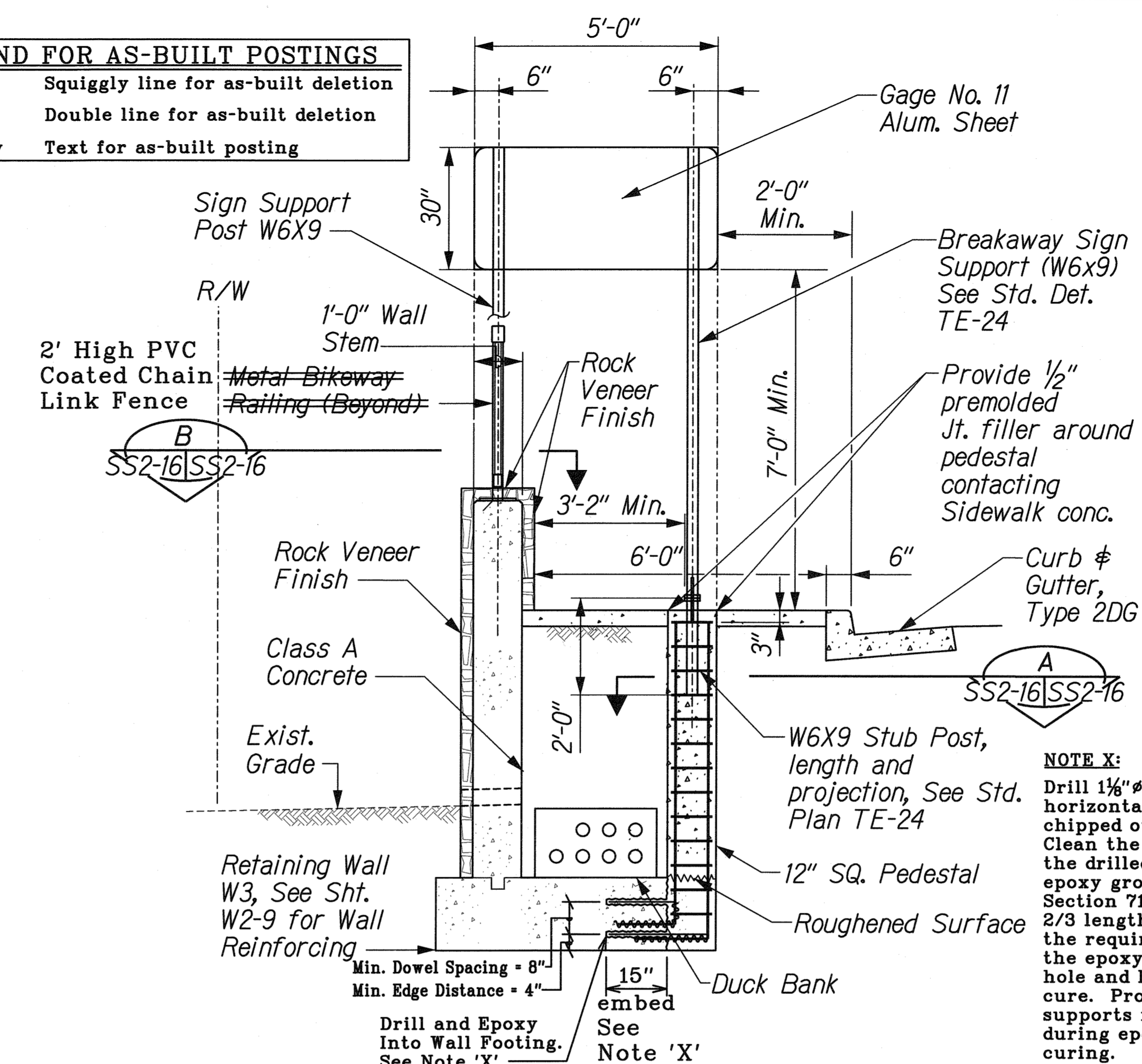
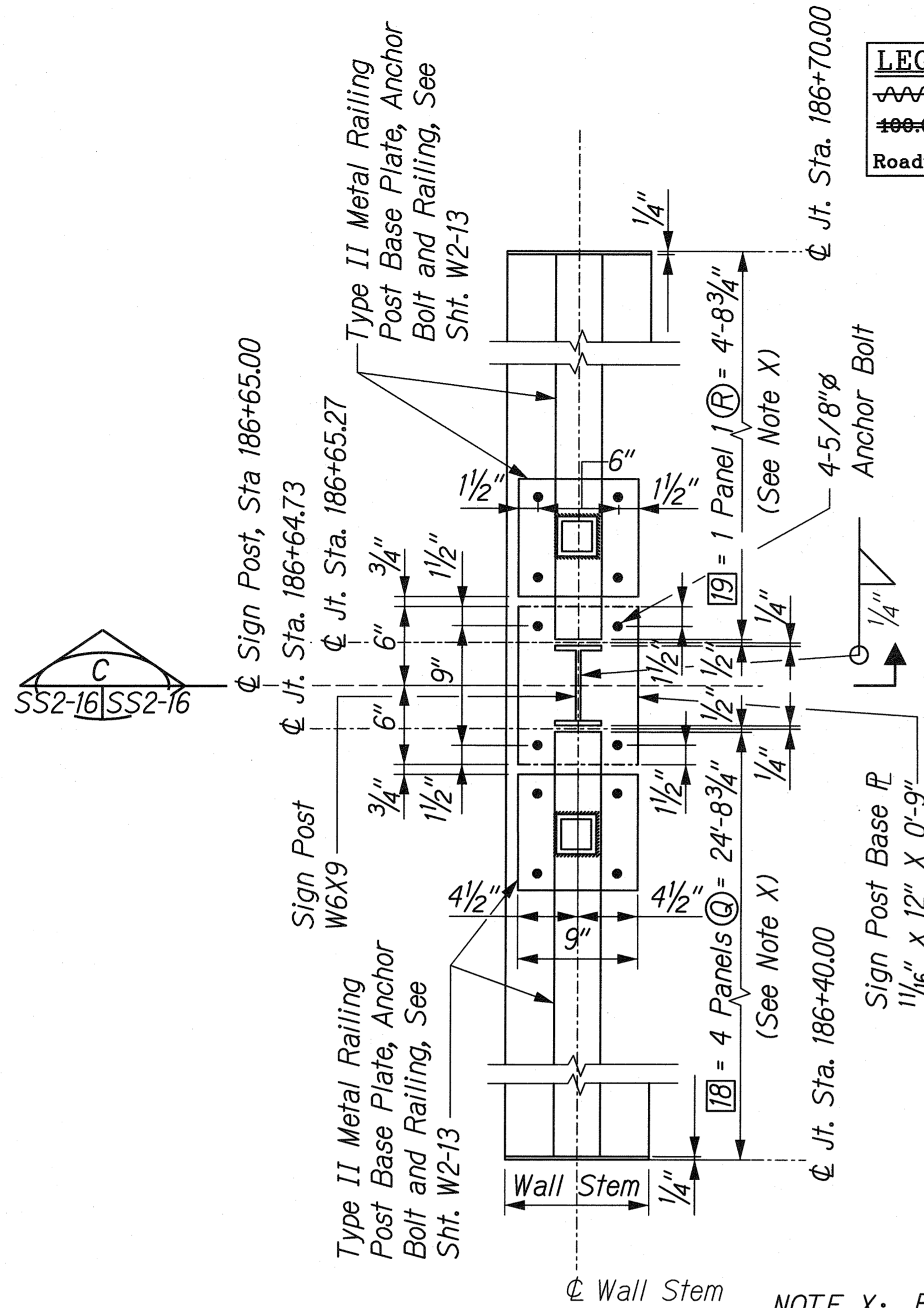
I:\FORT WEAVER ROAD\SIGN\SIGNDET.dgn

|                                                                           |                                                                                                                                                                                               |
|---------------------------------------------------------------------------|-----------------------------------------------------------------------------------------------------------------------------------------------------------------------------------------------|
|                                                                           | STATE OF HAWAII<br>DEPARTMENT OF TRANSPORTATION<br>HIGHWAYS DIVISION<br><b>SIGN DETAILS</b><br><b>SIGN PANEL LAYOUT</b><br>FORT WEAVER ROAD WIDENING<br>VICINITY OF AAWA DRIVE TO GEIGER ROAD |
|                                                                           | THIS WORK WAS PREPARED BY ME<br>OR UNDER MY SUPERVISION.<br><br>SIGNATURE      04/30/10 DATE<br>EXPIRATION DATE OF THE LICENSE                                                                |
| Scale: As Shown      Date: Feb. 22, 2008<br>SHEET No. SS2-15 OF 16 SHEETS |                                                                                                                                                                                               |

| FED. ROAD DIST. NO. | STATE | FEDERAL AID PROJ. NO. | FISCAL YEAR | SHEET NO. | TOTAL SHEETS |
|---------------------|-------|-----------------------|-------------|-----------|--------------|
| HAWAII              | HAW.  | CMAQ-076-1(9)         | 2006        | 264       | 371          |

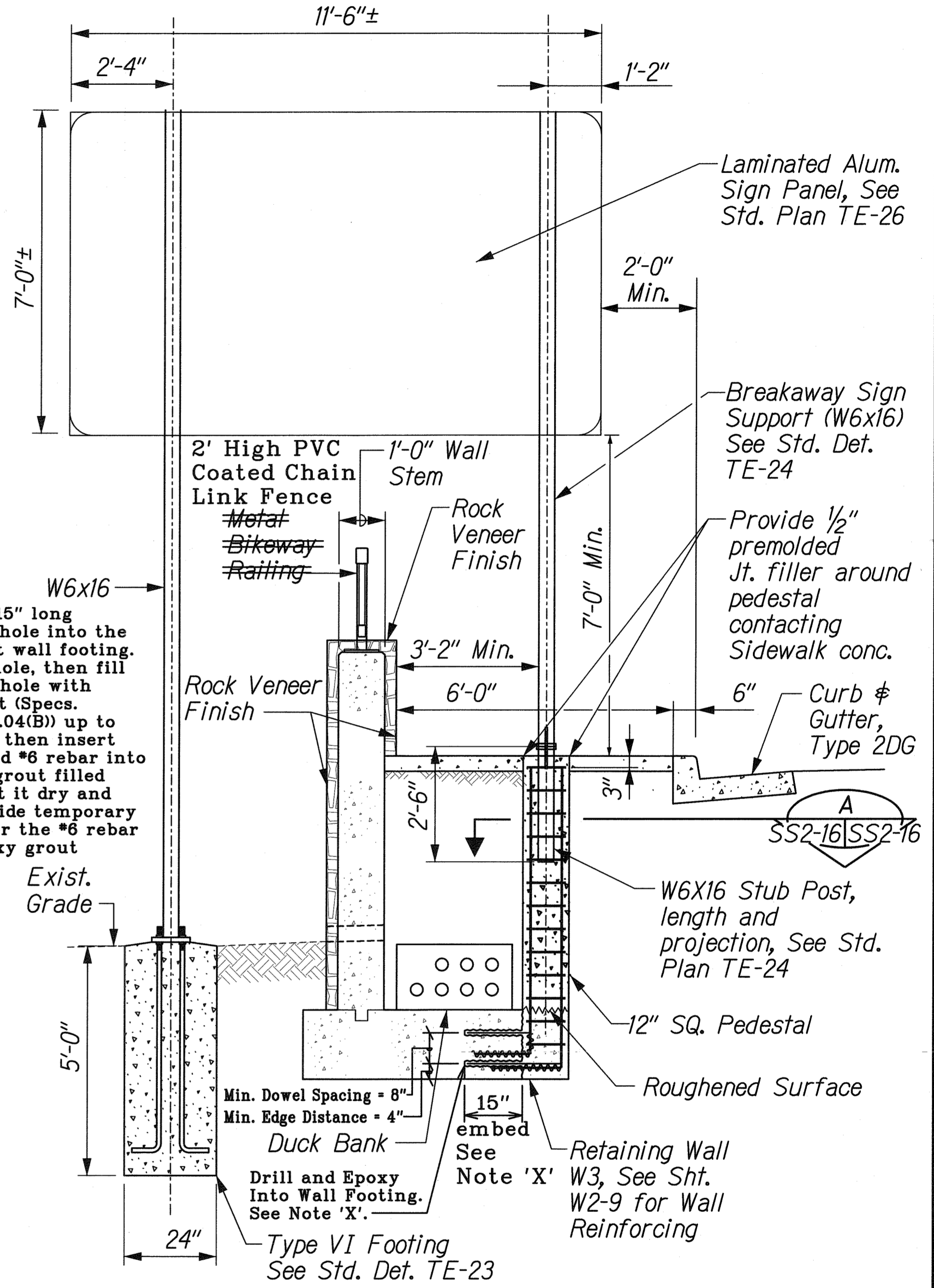
**LEGEND FOR AS-BUILT POSTINGS**

~~~~~ Squiggly line for as-built deletion  
 ===== Double line for as-built deletion
 Roadway Text for as-built posting



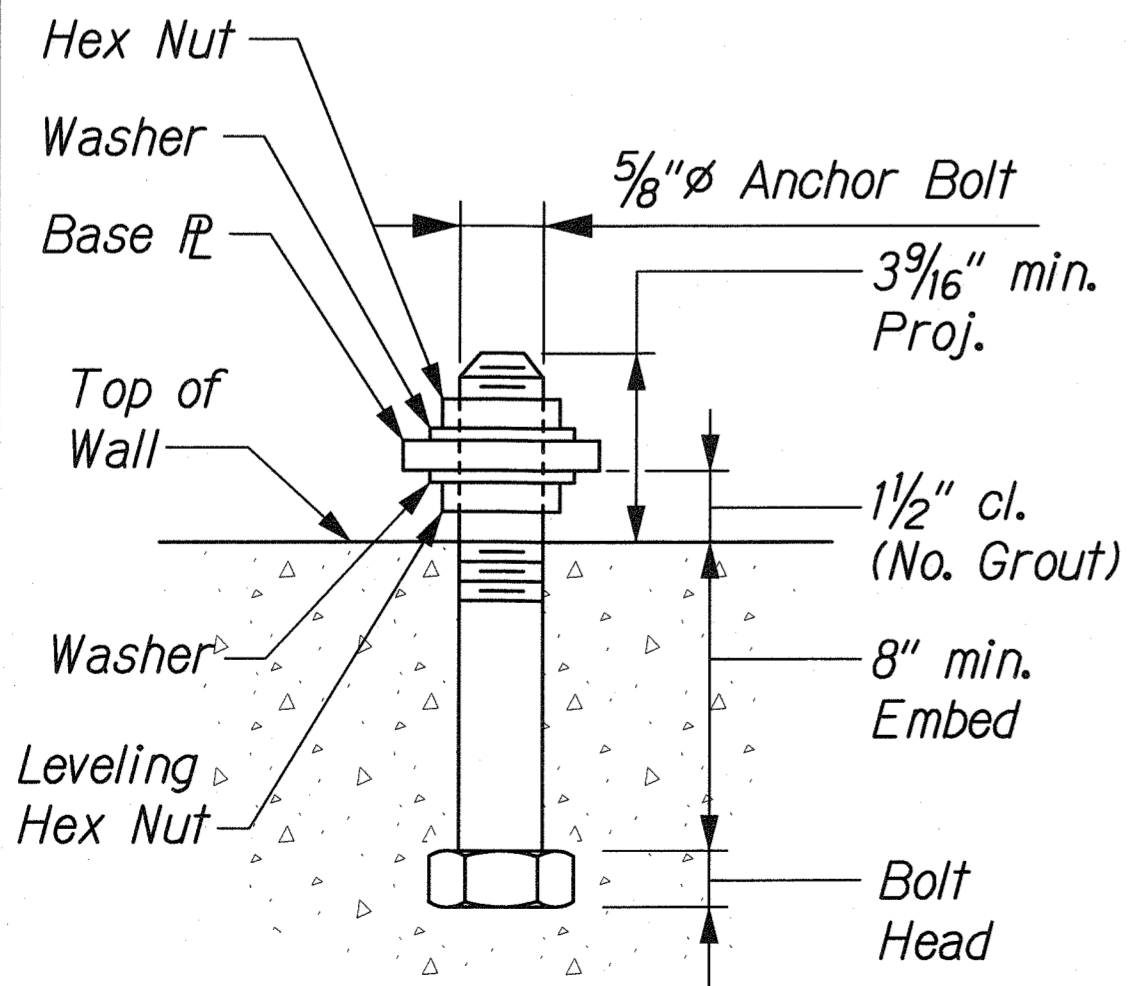
SIGN MOUNTING DETAIL @ STA. 186+65

Scale: 1/2" = 1'-0"



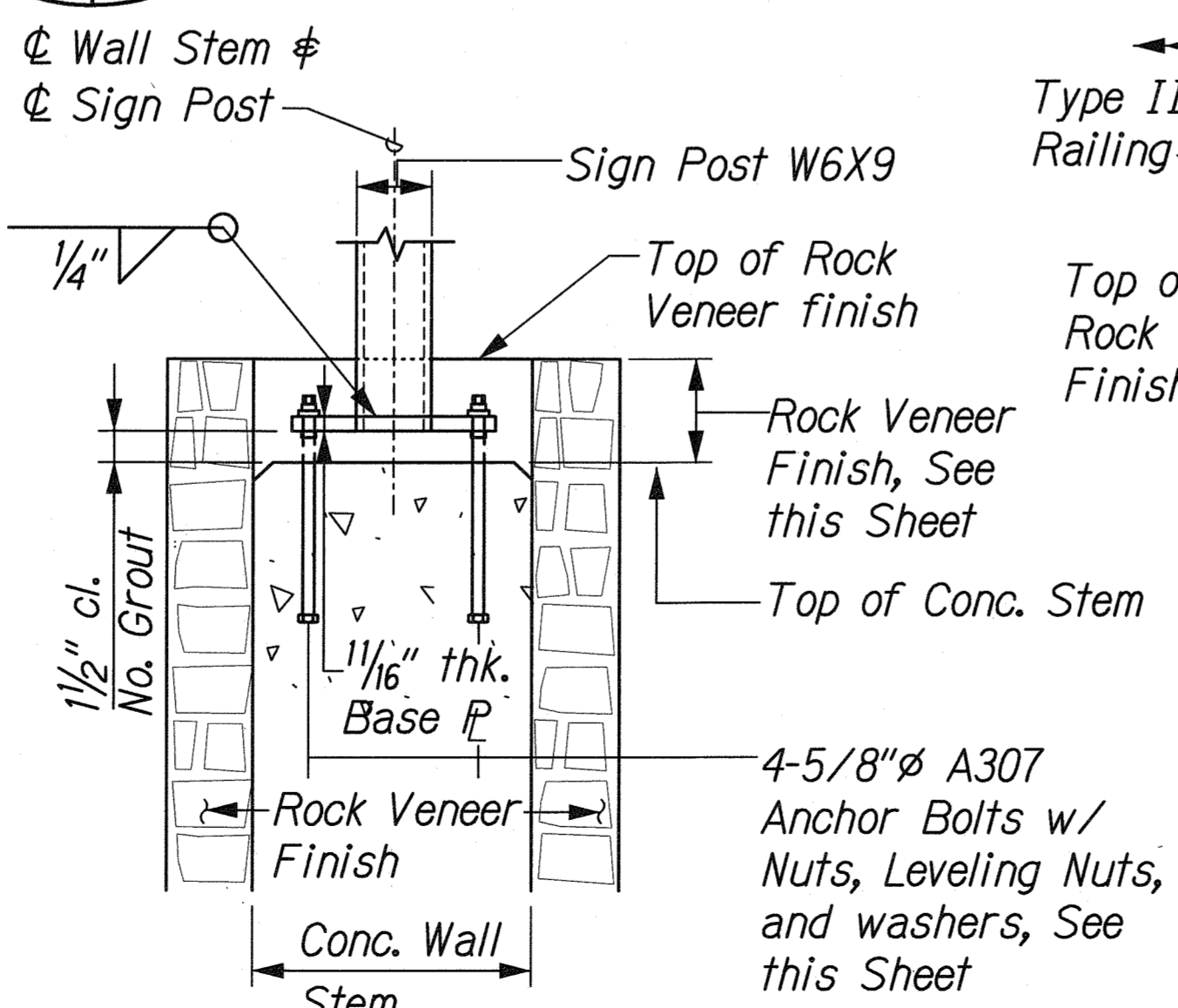
SIGN MOUNTING DETAIL @ STA. 187+50

Scale: 1/2" = 1'-0"



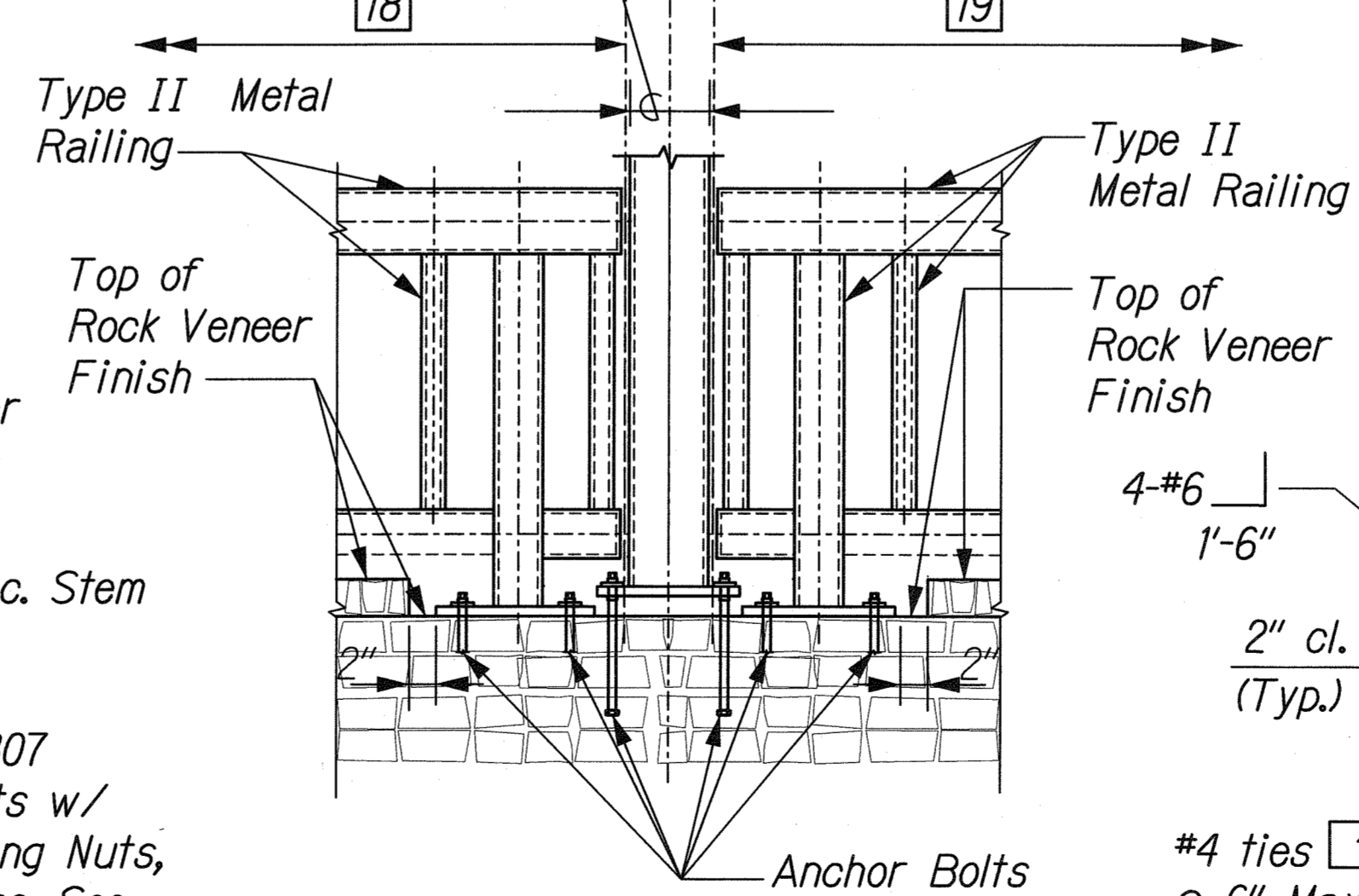
ANCHOR BOLT DETAIL

Scale: 3" = 1'-0"



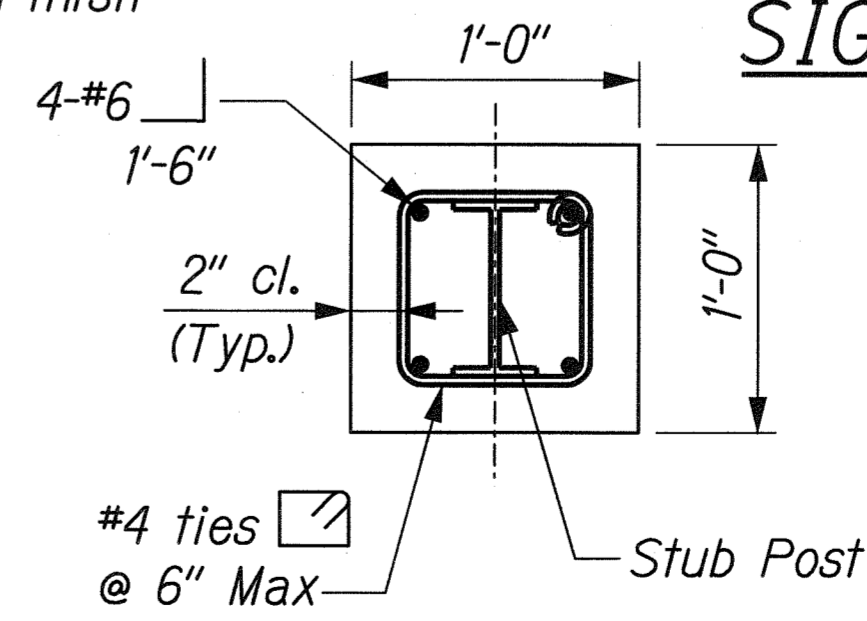
SECTION C

Scale: 1/2" = 1'-0"



SECTION D

Scale: 1" = 1'-0"



SECTION A

Scale: 1/2" = 1'-0"

SURVEY PLOTTED BY: _____ DATE: _____
 DESIGNED BY: _____
 CHECKED BY: _____
 ORIGINAL PLAN NO. _____
 NOTE BOOK NO. _____
 QUANTITIES BY: _____
 CHECKED BY: _____

1/4" FORT WEAVER ROAD/PACKAGE 2/SIGN/MOUNTING DETAIL

RUI PANG CHEN
 LICENSED PROFESSIONAL ENGINEER
 No. 3865-S
 HAWAII, U.S.A.
 THIS WORK WAS PREPARED BY ME OR UNDER MY SUPERVISION.
 SIGNATURE: *Rui Pang Chen*
 EXPIRATION DATE OF THE LICENSE: 04/30/10

STATE OF HAWAII
 DEPARTMENT OF TRANSPORTATION
 HIGHWAYS DIVISION
SIGN DETAILS
MOUNTING DETAILS
 FORT WEAVER ROAD WIDENING
 VICINITY OF AAWA DRIVE TO GEIGER ROAD
 Scale: As Shown Date: Feb. 22, 2008
 SHEET No. SS2-16 OF 16 SHEETS