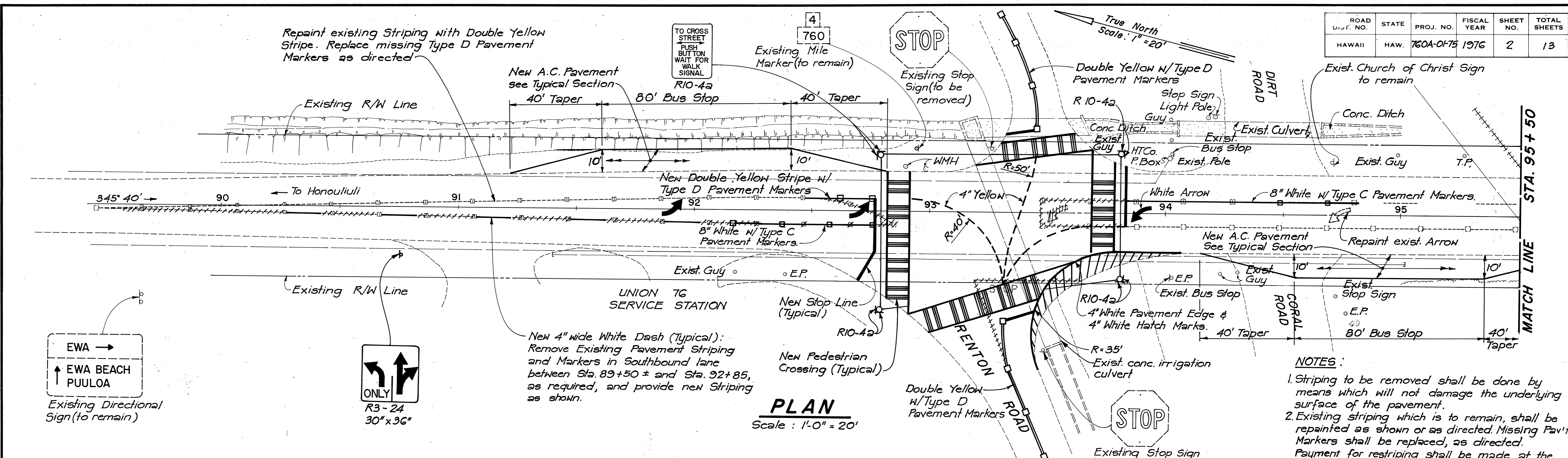
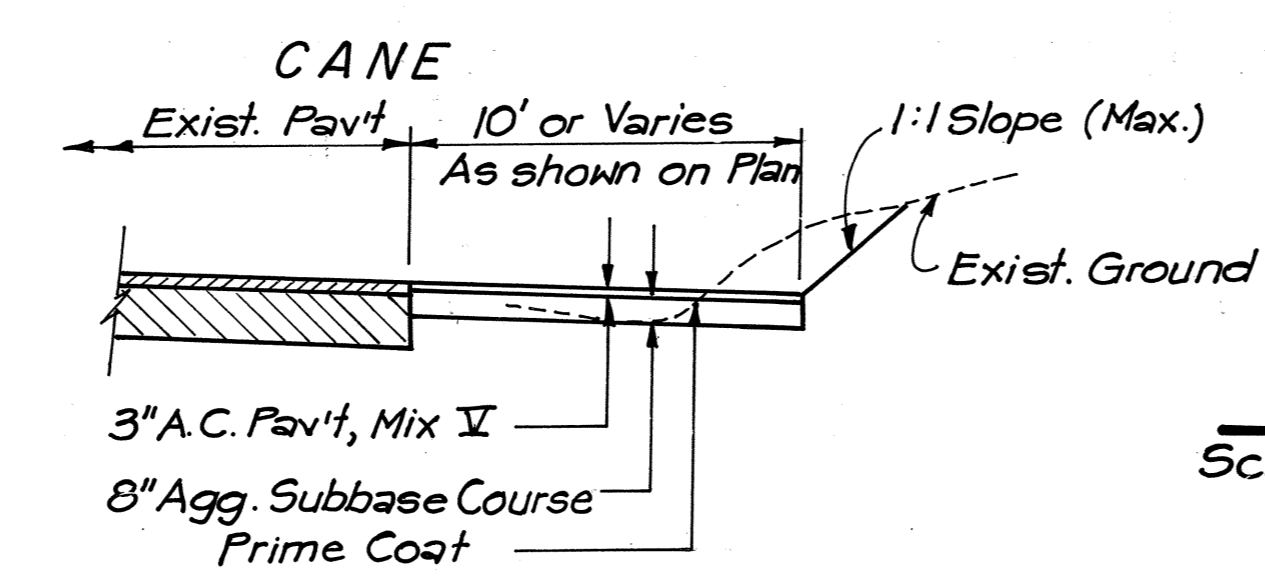
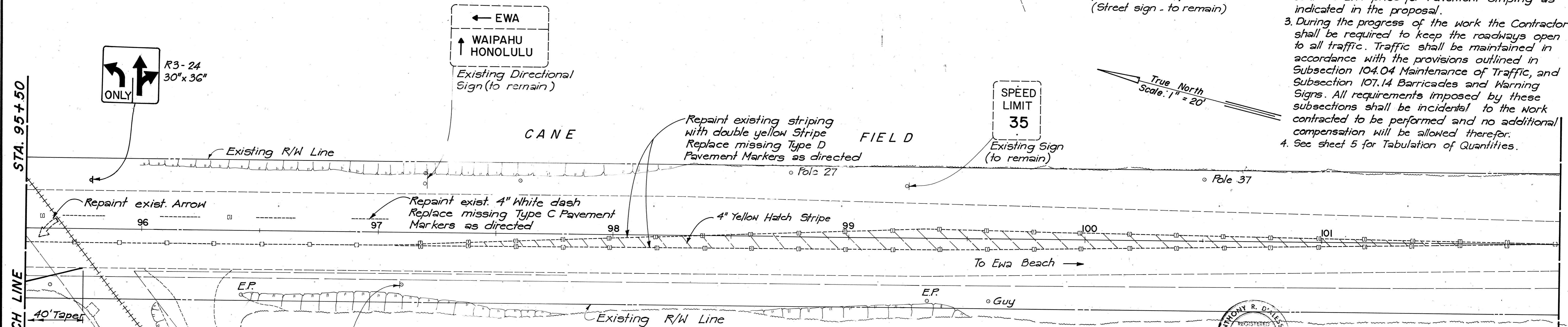


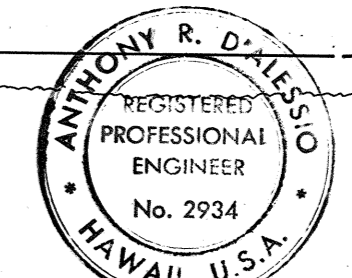
ROAD DIST. NO.	STATE	PROJ. NO.	FISCAL YEAR	SHEET NO.	TOTAL SHEETS
HAWAII	HAW.	760A-01-75	1976	2	13



- NOTES:**
- Striping to be removed shall be done by means which will not damage the underlying surface of the pavement.
  - Existing striping which is to remain, shall be repainted as shown or as directed. Missing Pav't Markers shall be replaced, as directed. Payment for restriping shall be made at the contract unit price for Pavement Striping as indicated in the proposal.
  - During the progress of the work the Contractor shall be required to keep the roadways open to all traffic. Traffic shall be maintained in accordance with the provisions outlined in Subsection 104.04 Maintenance of Traffic, and Subsection 107.14 Barricades and Warning Signs. All requirements imposed by these subsections shall be incidental to the work contracted to be performed and no additional compensation will be allowed therefor.
  - See sheet 5 for Tabulation of Quantities.



- LEGEND**
- New Pavement Striping and Markers
  - New Dashed Guidelines
  - Existing Pavement Striping to be repainted.
  - Existing Pavement Striping and Markers to be removed.



STATE OF HAWAII  
DEPARTMENT OF TRANSPORTATION  
HIGHWAYS DIVISION

**PAVING, SIGNING  
AND STRIPING PLAN**

FORT WEAVER ROAD  
TEMPORARY TRAFFIC SIGNALS AT RENTON RD  
PROJECT NO. 760A-01-75

Scale: 1" = 20'      Date: Oct. 15, 1976

SHEET NO. 1 OF 1 SHEETS

SURVEY PLOTTED BY	DATE
DESIGNED BY	
TRACED BY	
NOTE BOOK	
QUANTITIES BY	
CHECKED BY	
NO.	