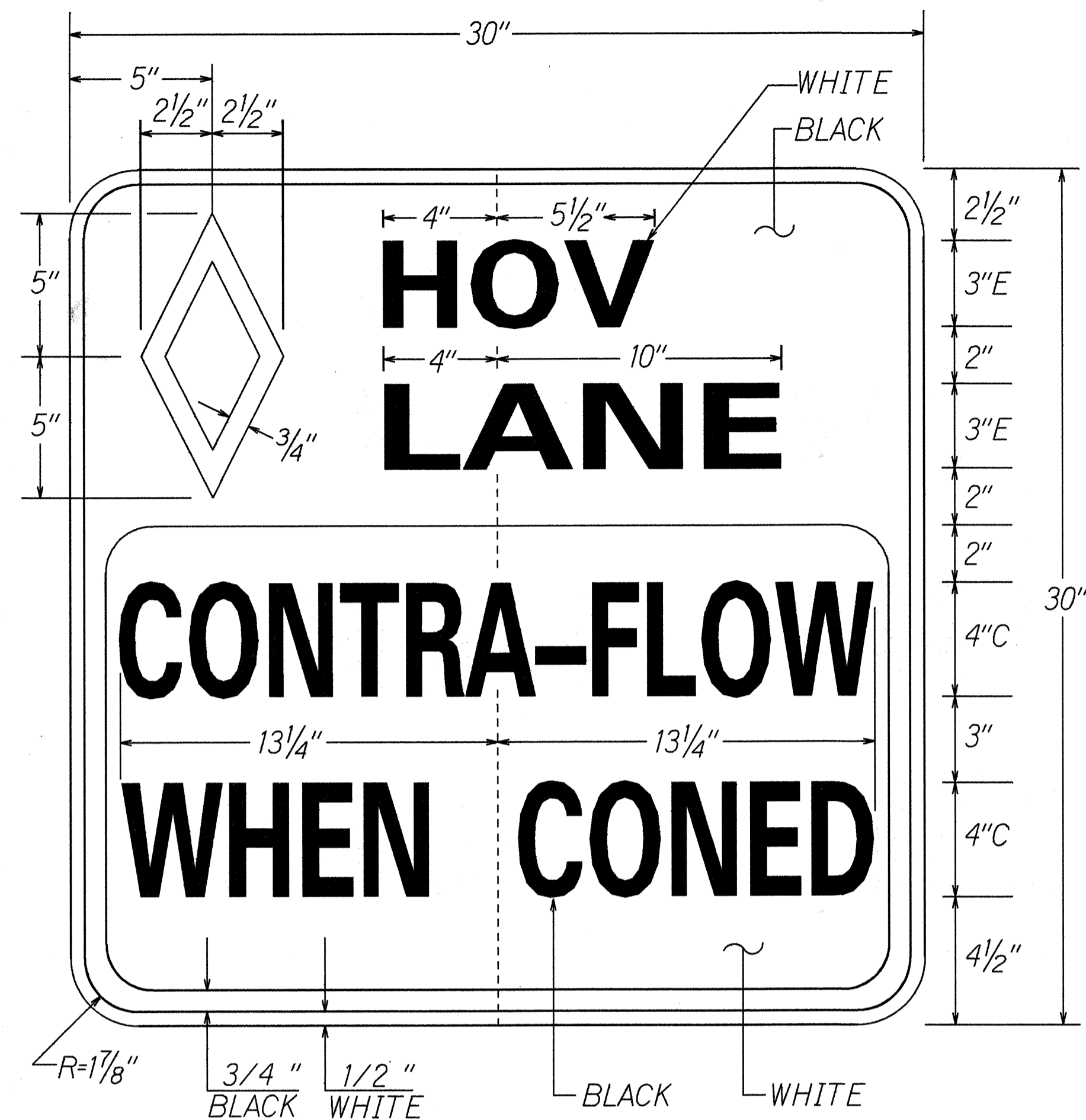
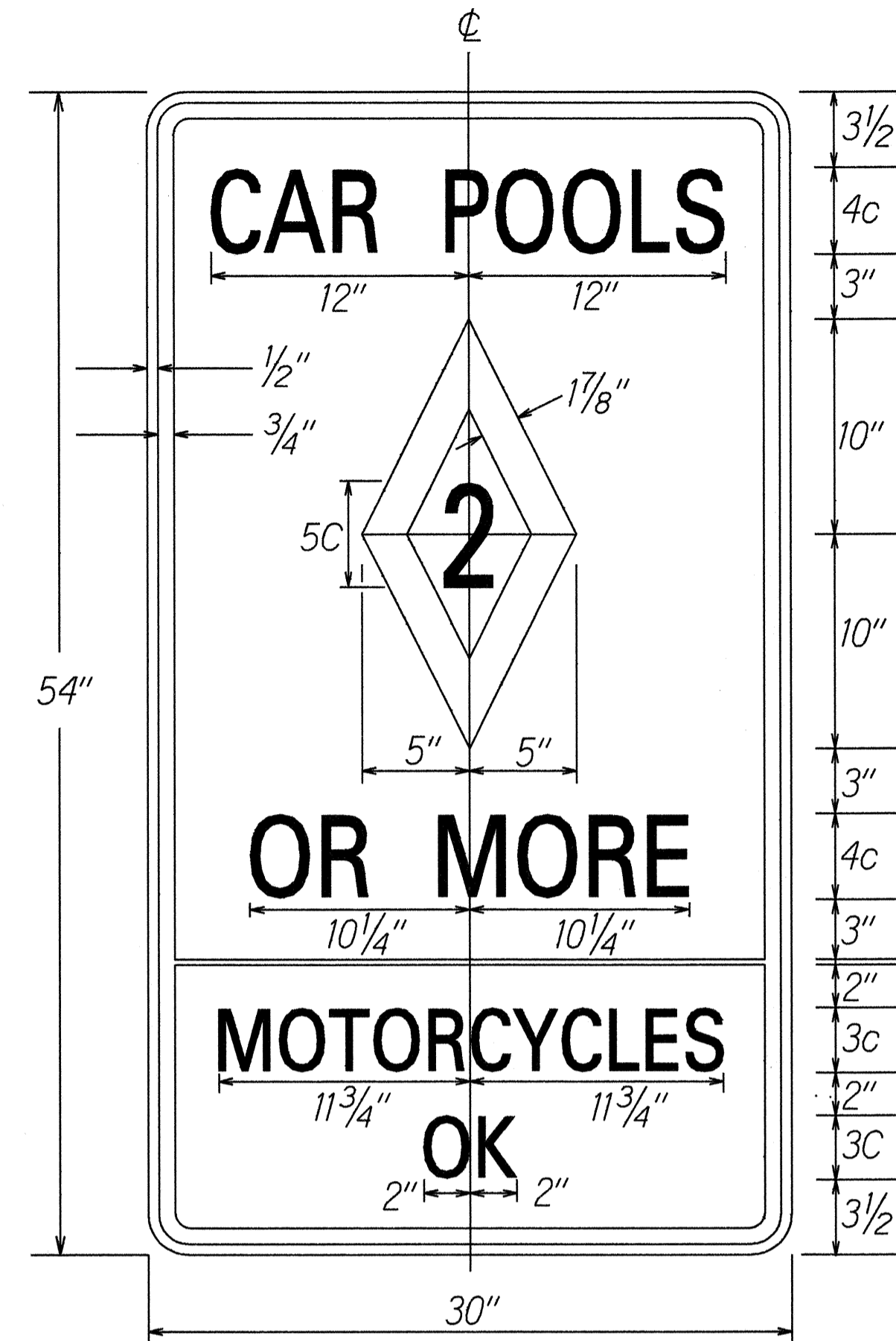


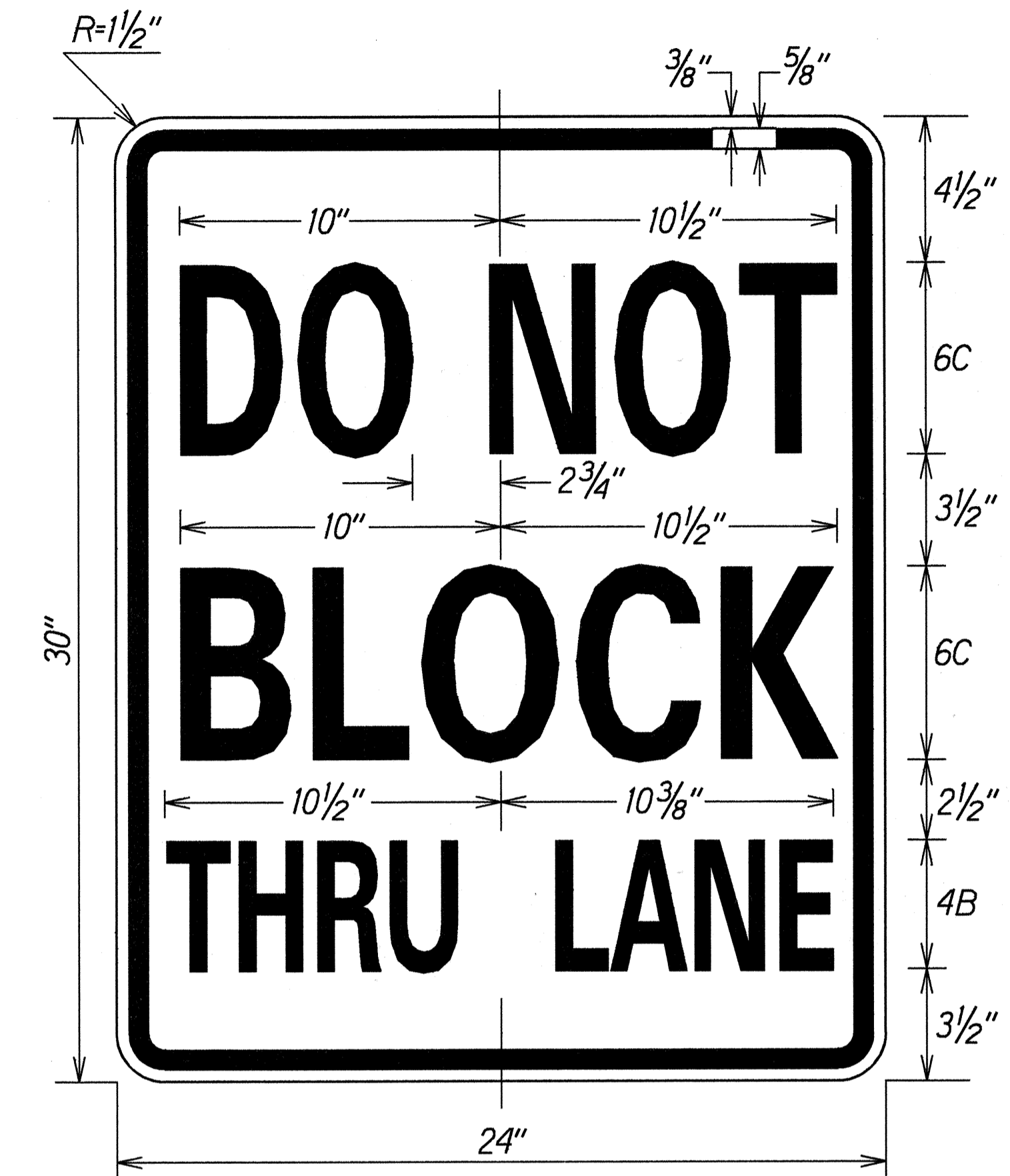
FED. ROAD DIST. NO.	STATE	FED. AID PROJ. NO.	FISCAL YEAR	SHEET NO.	TOTAL SHEETS
HAWAII	HAW.	NH-072-1(47)	2000	58	91



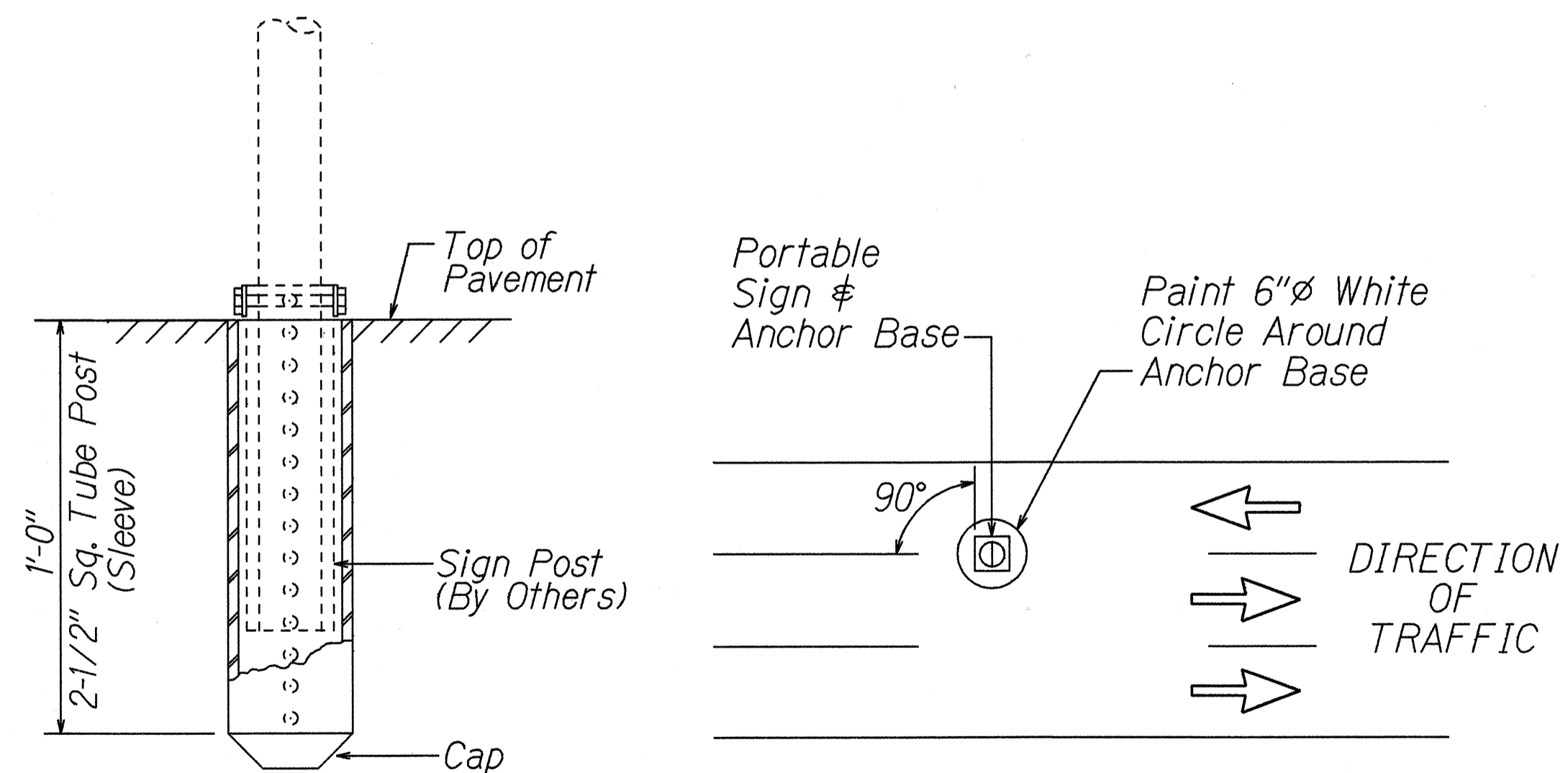
R3-11b  
Not to Scale



R3-18  
Not to Scale



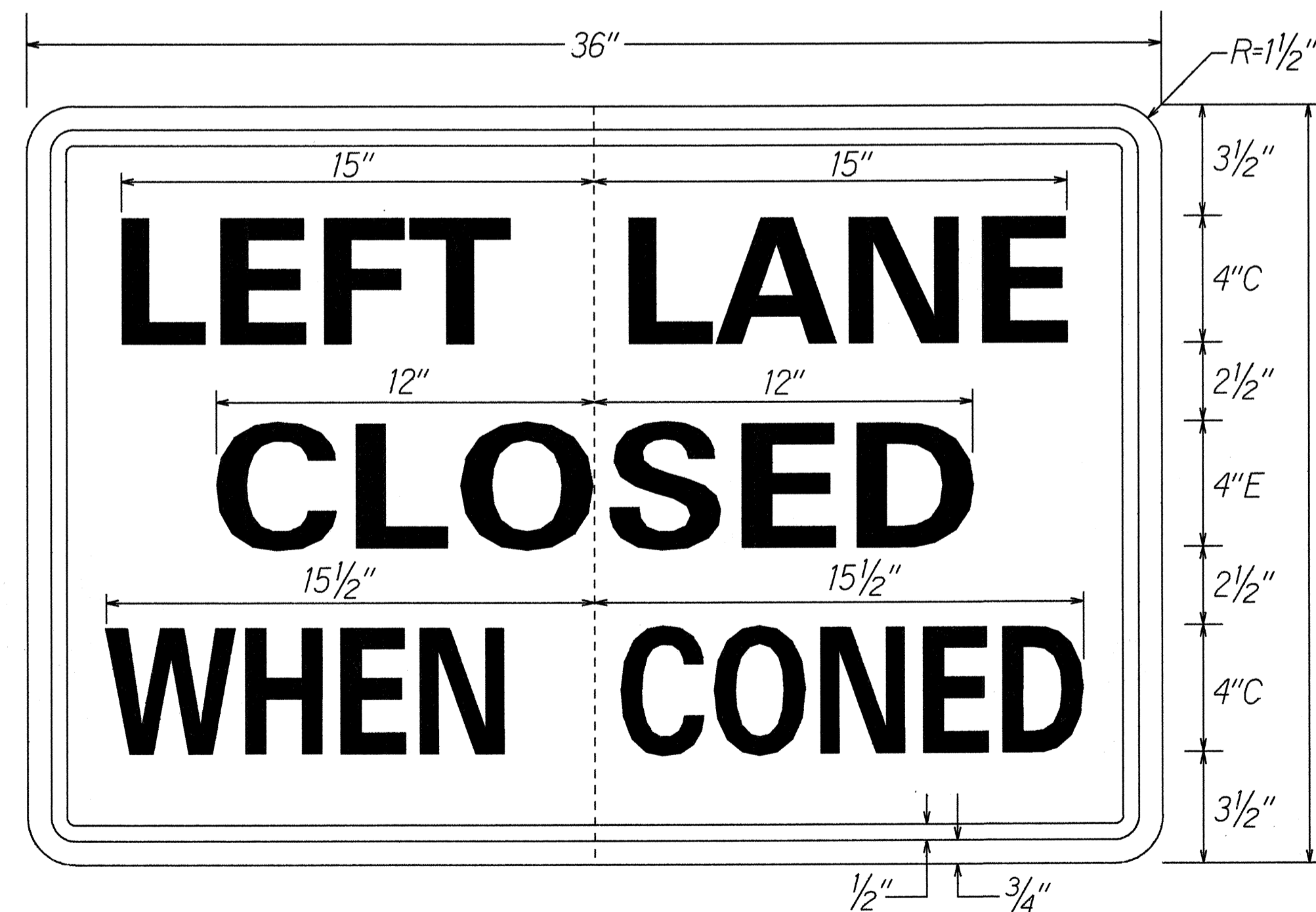
R10-7a  
Not to Scale



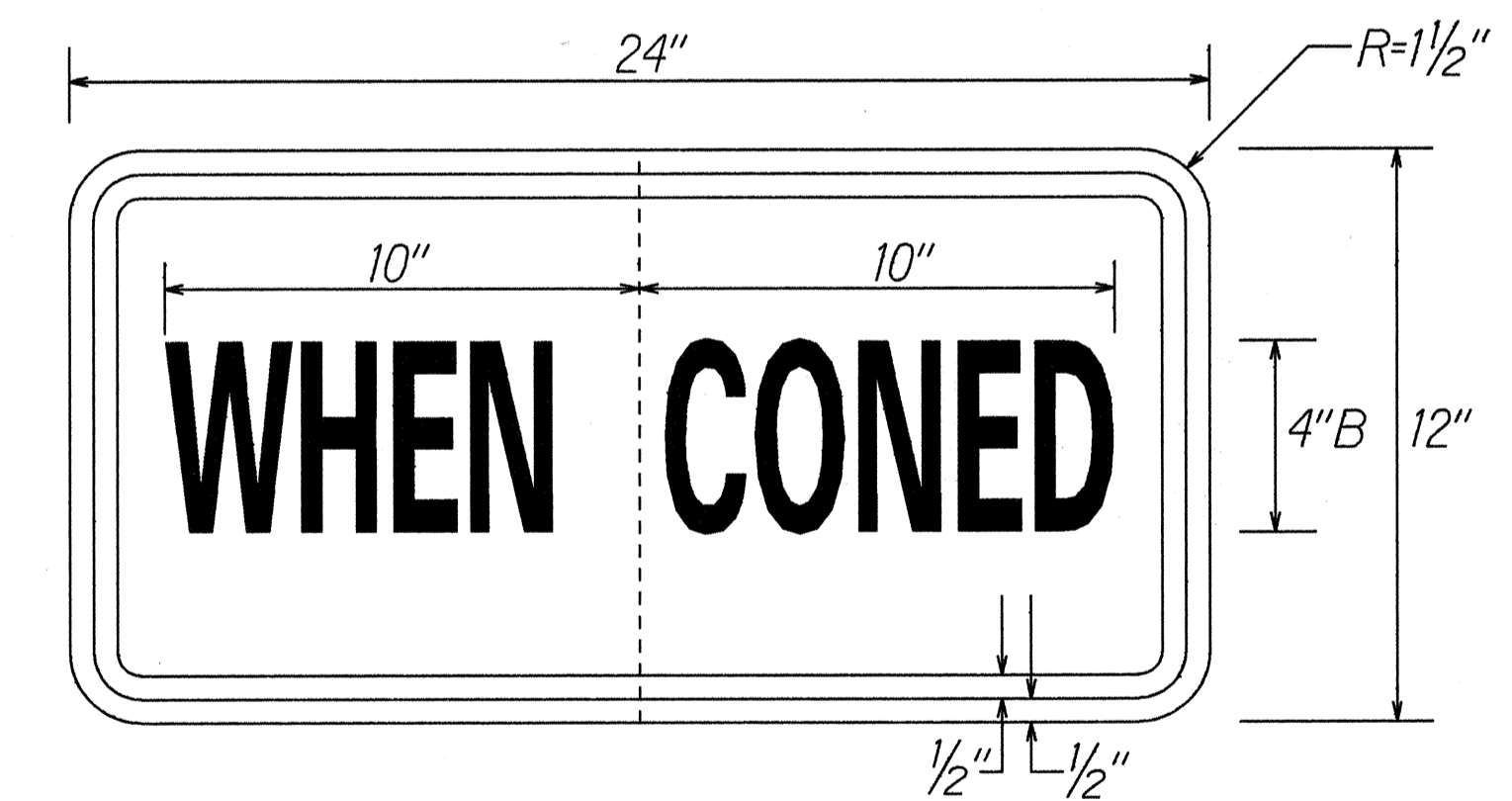
ELEVATION  
Scale: 3"=1'-0"

PLAN  
N.T.S.

ANCHOR BASE FOR PORTABLE CONTRA-FLOW SIGN



R11-20  
Not to Scale

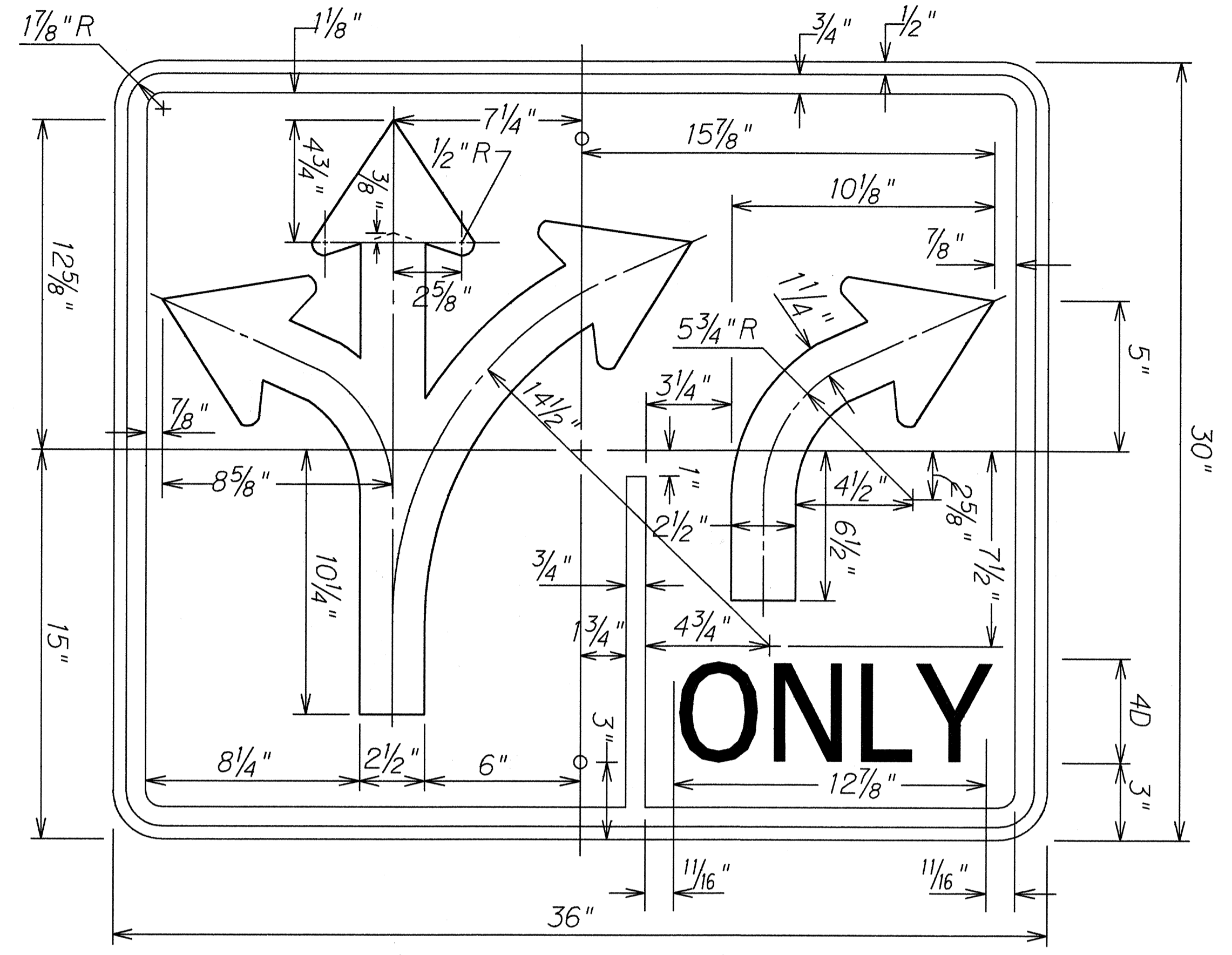


R16-21  
Not to Scale

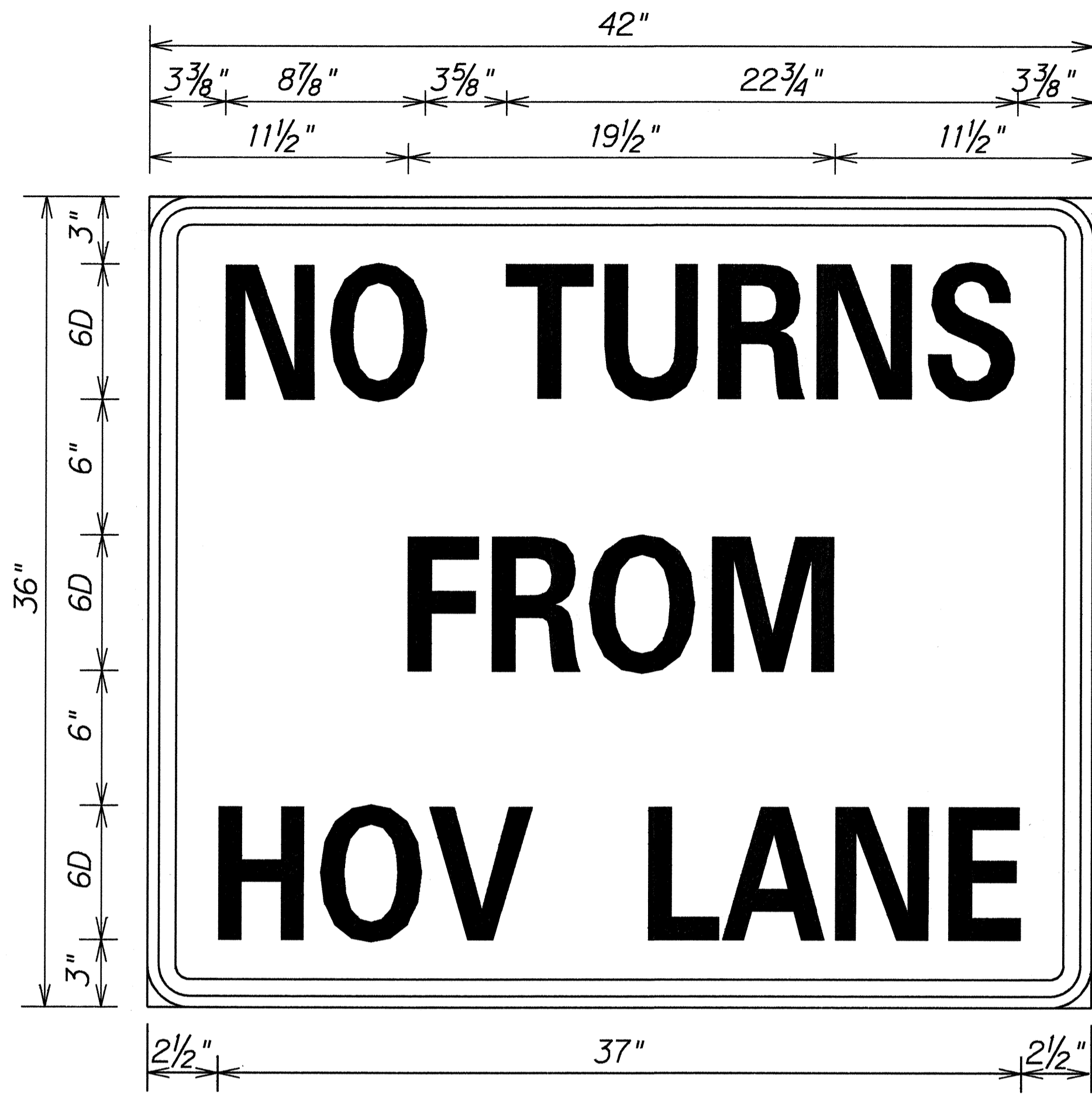
STATE OF HAWAII  
DEPARTMENT OF TRANSPORTATION  
HIGHWAYS DIVISION  
**SIGNING & PAVEMENT**  
**MARKING DETAILS**  
KALANIANA'OLE HIGHWAY RESURFACING  
Ainako'a Avenue to West Hind Drive  
Federal Aid Project No. NH-072-1(47)  
Scale: As Noted Date: June, 1999

DATE: 1/17/02  
SURVEY PLOTTED BY: [blank]  
DRAWN BY: M. Takaijiri  
TRACED BY: Steven Yoshida  
NOTE BOOK: 102 may  
QUANTITIES BY: [blank]  
CHECKED BY: [blank]

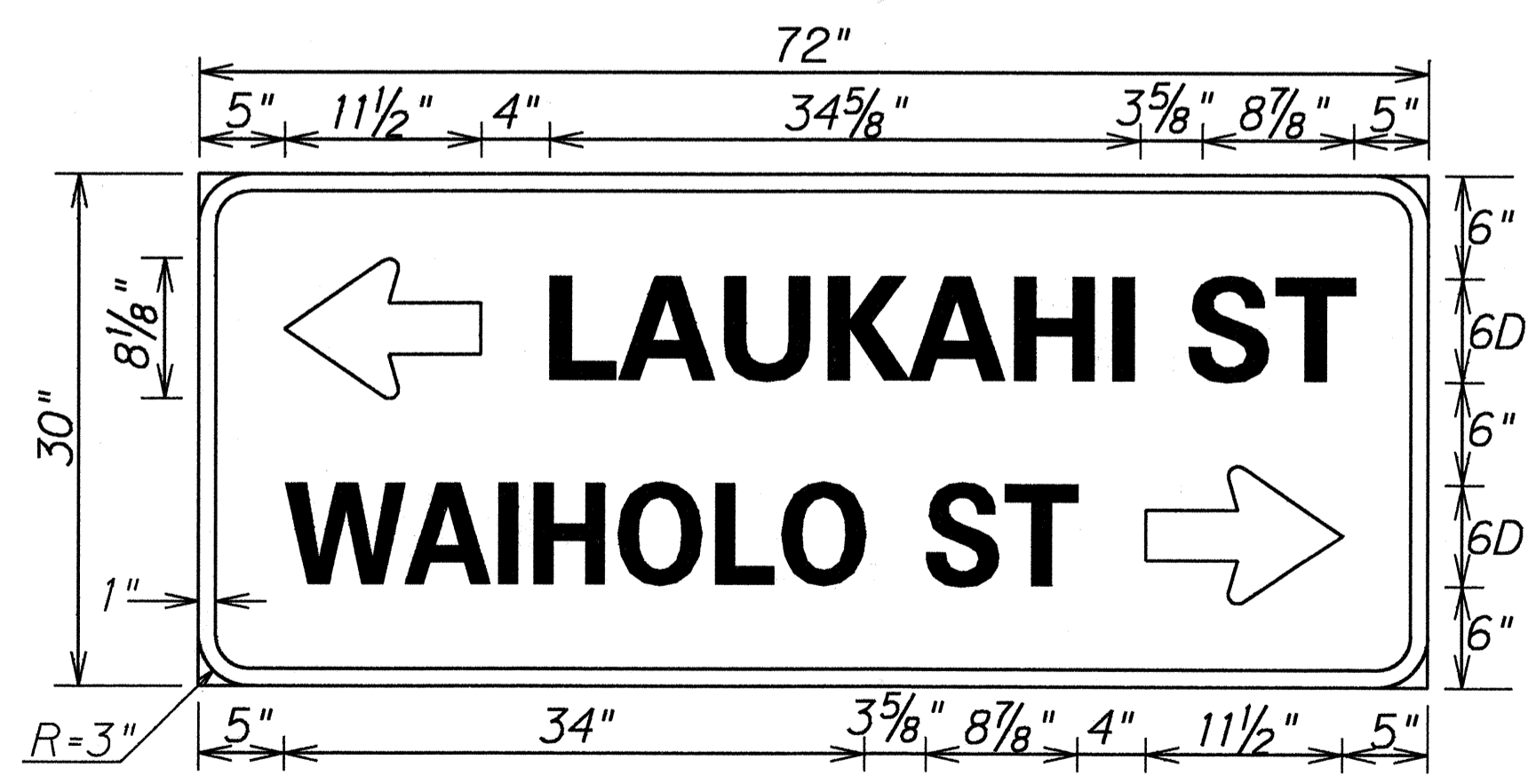
FED. ROAD DIST. NO.	STATE	FED. AID PROJ. NO.	FISCAL YEAR	SHEET NO.	TOTAL SHEETS
HAWAII	HAW.	NH-072-1(47)	2000	59	91



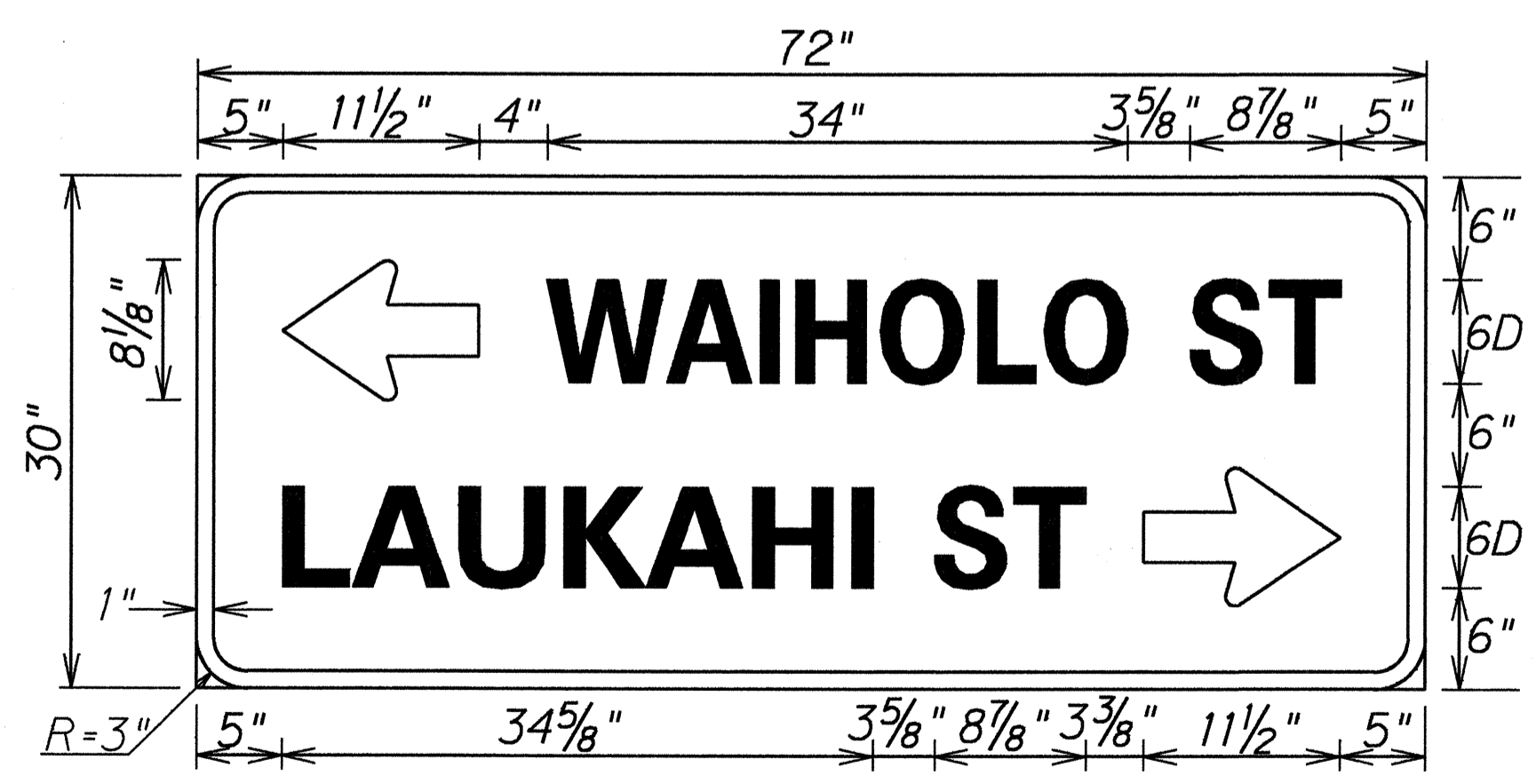
R3-32(R)  
Not to Scale



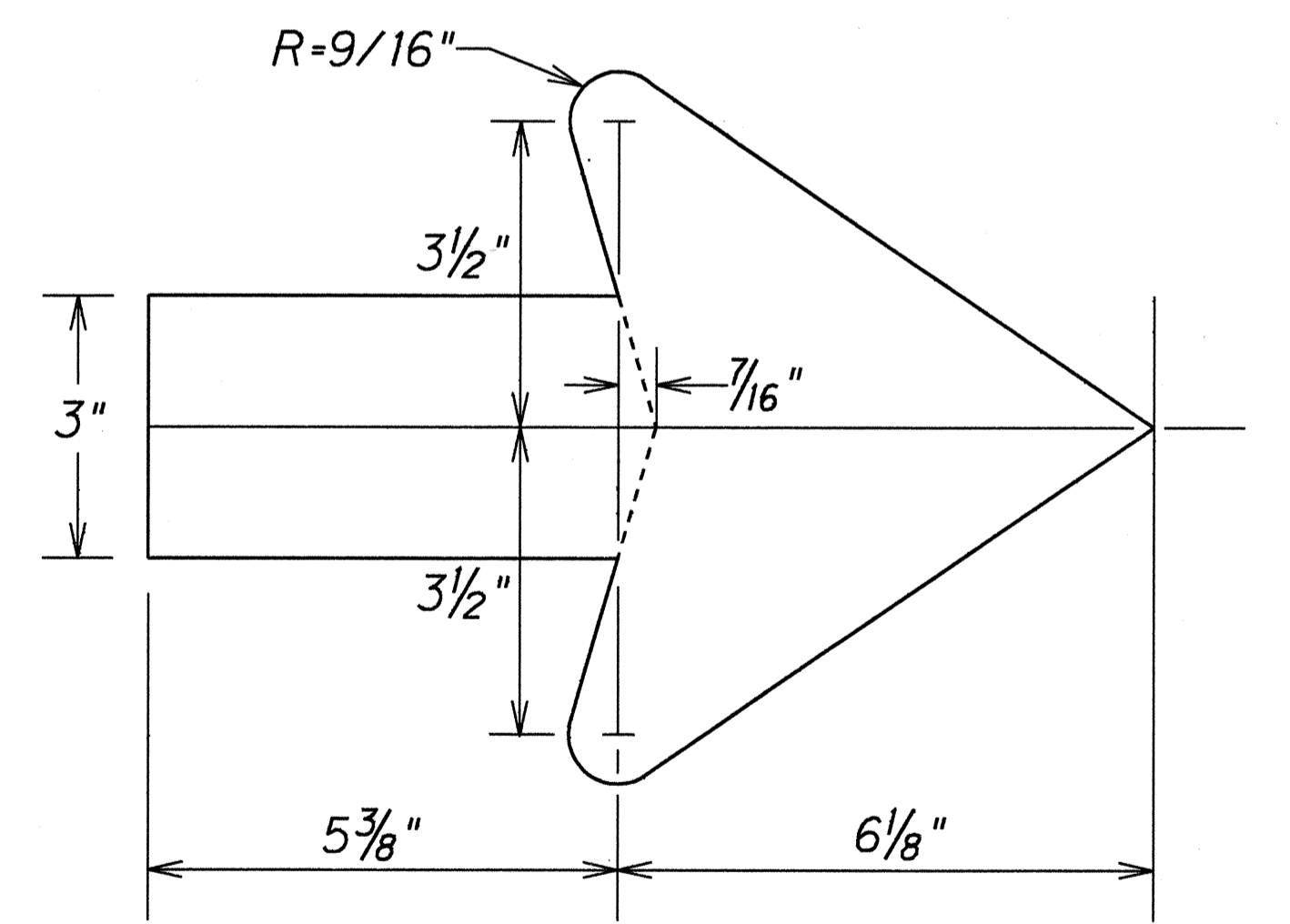
R3-21  
Not to Scale



D-1  
Not to Scale



D-2  
Not to Scale



SURVEY PLOTTED BY	DATE
DRAWN BY	
TRACED BY	
NOTE BOOK	
QUANTITIES BY	
CHECKED BY	

STATE OF HAWAII  
DEPARTMENT OF TRANSPORTATION  
HIGHWAYS DIVISION  
**SIGNING & PAVEMENT**  
**MARKING DETAILS**  
KALANIANA'OLE HIGHWAY RESURFACING  
Ainakoa Avenue to West Hind Drive  
Federal Aid Project No. NH-072-1(47)  
Scale: As Noted Date: June, 1999