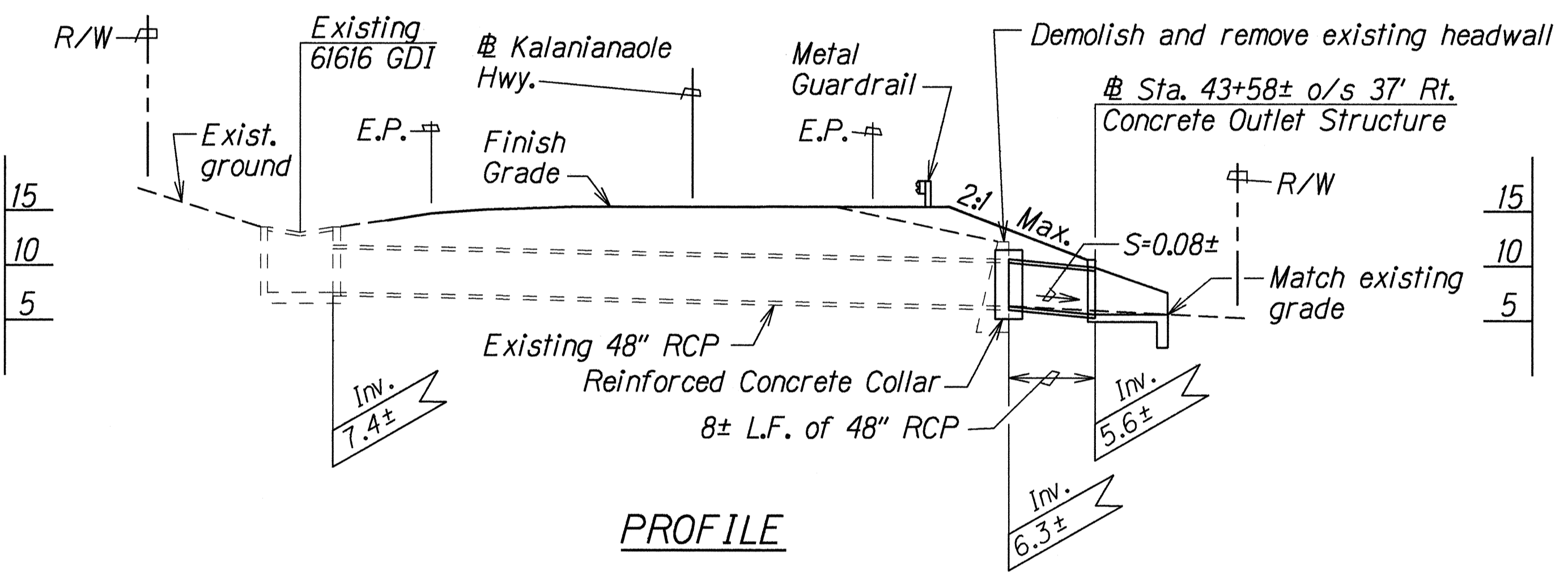
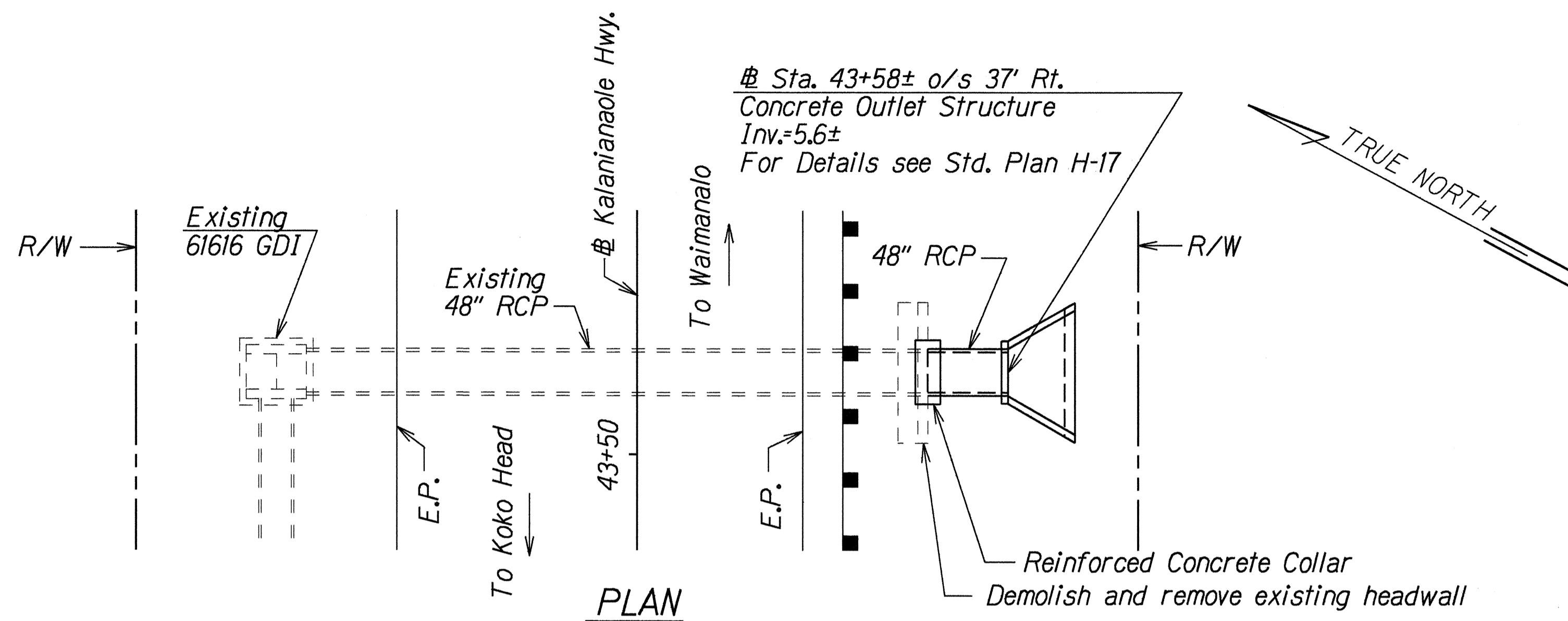


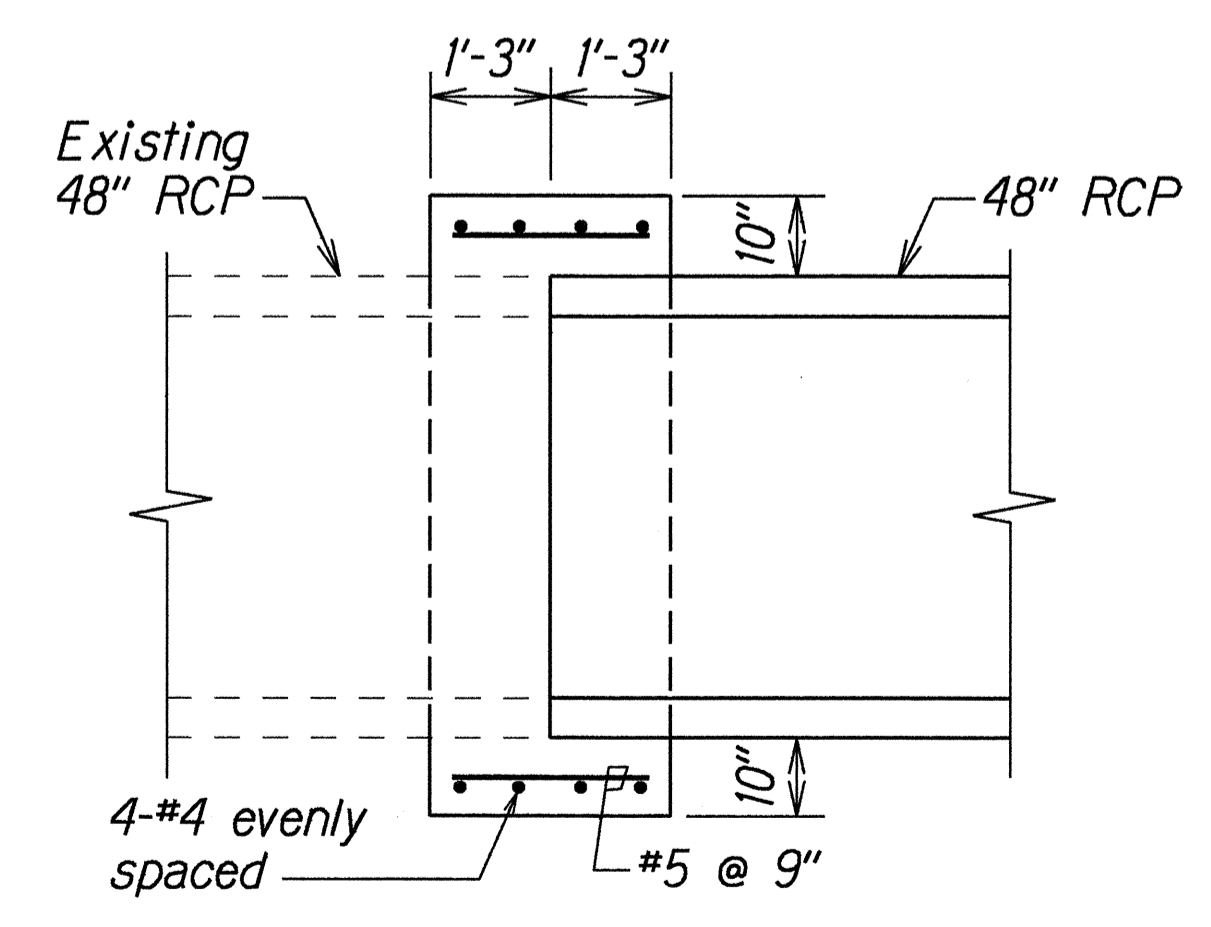
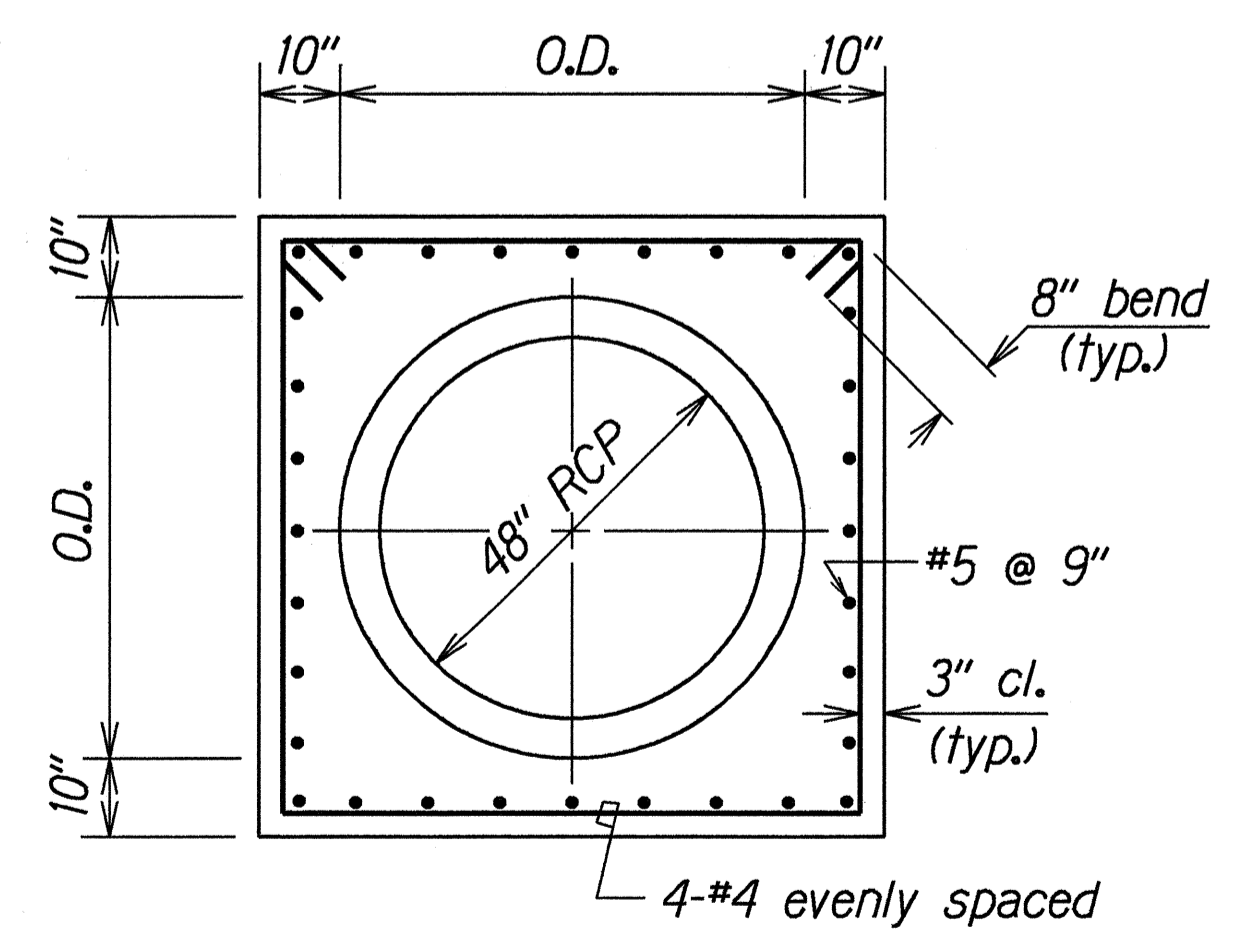
FED. ROAD DIST. NO.	STATE	FED. AID PROJ. NO.	FISCAL YEAR	SHEET NO.	TOTAL SHEETS
HAWAII	HAW.	STP-072-1(42)	1995	9	24



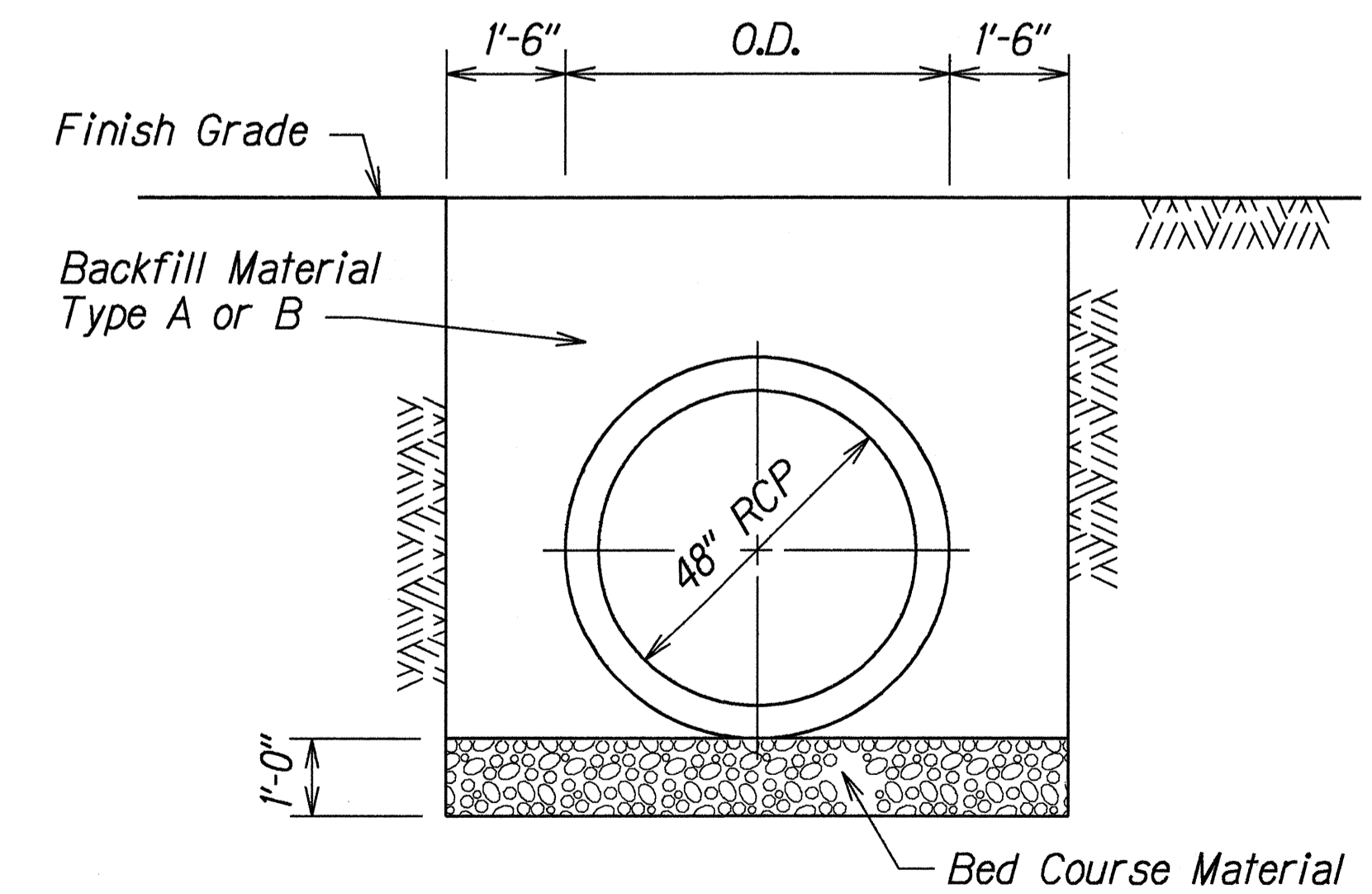
48" RCP EXTENSION AT STA. 43+58±
Scale: 1"=10'

DRAINAGE NOTES:

- Existing drainage systems will be functional at all times during construction. The Contractor is to furnish materials, equipment, labor, tools and incidentals necessary to accomplish maintenance of flow. The cost shall be incidental to the various Contract Items.
- The Contractor shall verify the locations of all existing culverts and utilities in the field. Any existing culverts and utilities damaged during construction shall be repaired or replaced by the Contractor at his own expense.
- Demolishing, removing, and disposing existing concrete headwall structures shall not be paid for separately, but shall be considered incidental to Item No. 206.2020 - Structure Excavation for Drainage Systems.
- Concrete shall be Class A unless otherwise noted.
- Chamfer all exposed concrete edges 1".
- Reinforcing Steel for Concrete Collar shall conform to the requirements of ASTM 615-Grade 60.
- Details of Concrete Outlet Structure at Baseline Station 43+58± Rt. shall be similar to Inlet Structure shown on Standard Plan H-17.
- Reinforced Concrete Collar shall be measured separately and paid for under the following items:
206.2020-Structure Excavation for Drainage System
503.0020-Concrete in Drainage System (Class A)
602.1020-Reinforcing Steel for Drainage System



DETAILS OF REINFORCED CONCRETE COLLAR
Scale: 1/2"=1'-0"



TYPICAL DETAIL OF CULVERT TRENCH
Scale: 1/2"=1'-0"

SURVEY PLOTTED BY: _____ DATE: 6/21/95
 DRAWN BY: A. Manuia
 DESIGNED BY: C. Matsuda, Fujihami
 QUANTITIES BY: dha/af/af
 CHECKED BY: kumar/af/af

STATE OF HAWAII
 DEPARTMENT OF TRANSPORTATION
 HIGHWAYS DIVISION
DRAINAGE DETAILS
 KALANIANA'OLE HIGHWAY
 Intersection Improvements at Kealahou St.
 Fed. Aid Project No. STP-072-1(42)
 Scale: As Shown Date: June 1995
 SHEET No. **HI** OF **1** SHEETS