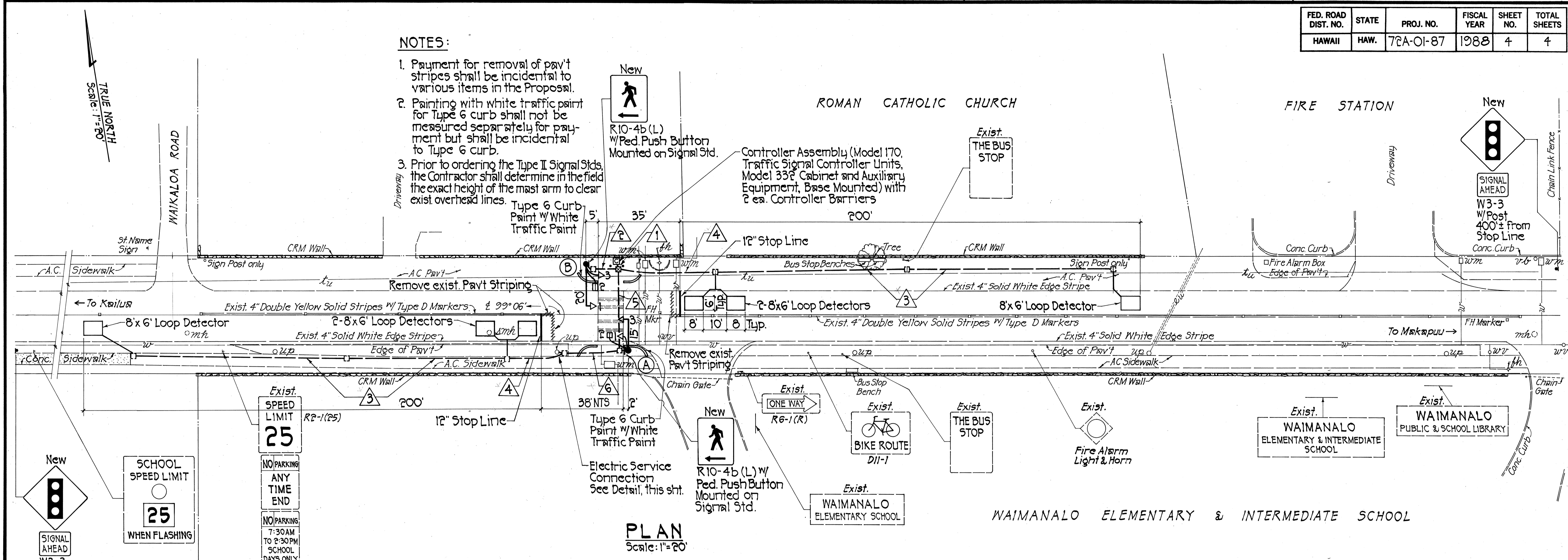


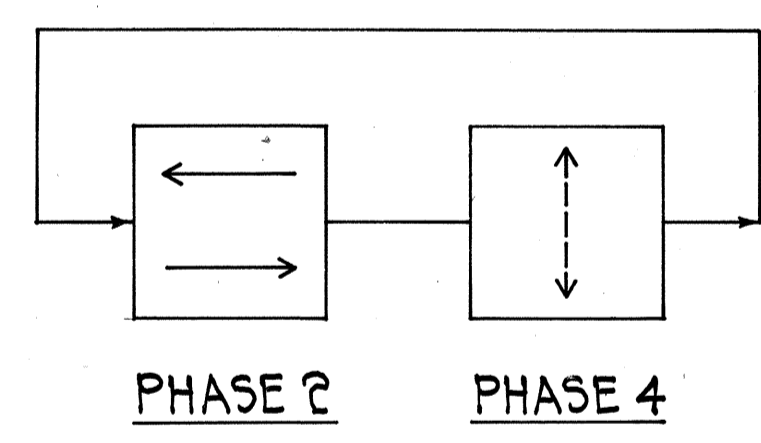
FED. ROAD DIST. NO.	STATE	PROJ. NO.	FISCAL YEAR	SHEET NO.	TOTAL SHEETS
HAWAII	HAW.	72A-01-87	1988	4	4

**NOTES:**

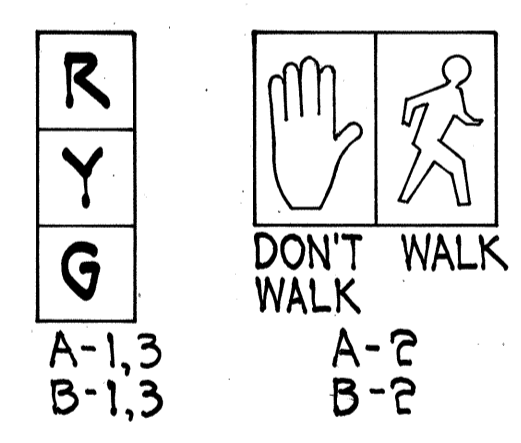
1. Payment for removal of pav't stripes shall be incidental to various items in the Proposal.
2. Painting with white traffic paint for Type 6 curb shall not be measured separately for payment but shall be incidental to Type 6 curb.
3. Prior to ordering the Type II Signal Stds, the Contractor shall determine in the field the exact height of the mast arm to clear exist. overhead lines.



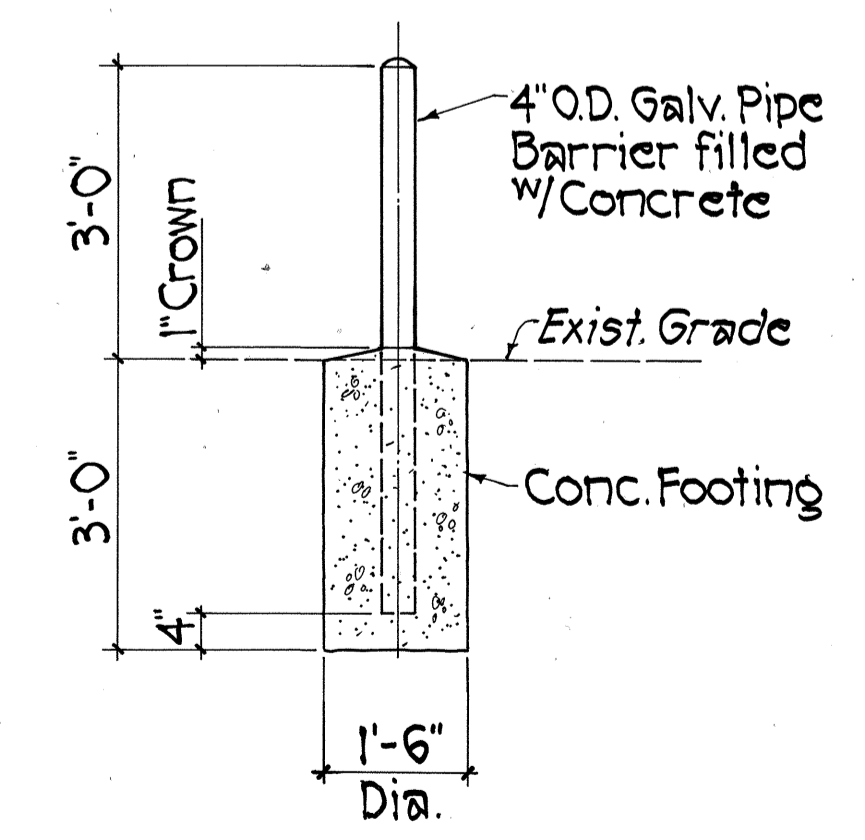
**PLAN**  
Scale: 1"=20'



**PHASE DIAGRAM**



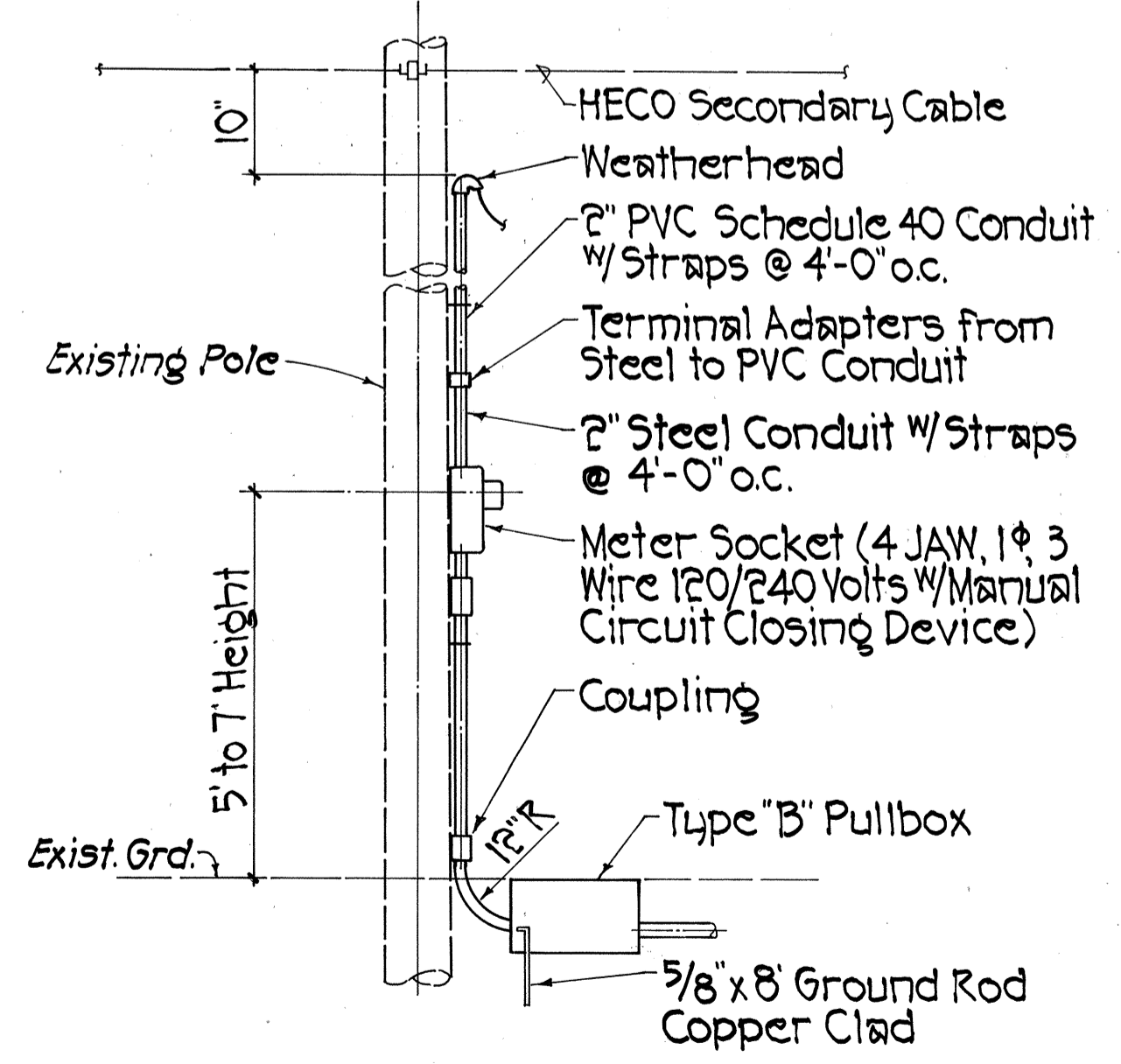
**SIGNAL INDICATIONS**



**CONTROLLER BARRIER**  
Scale: 1/2"=1'-0"

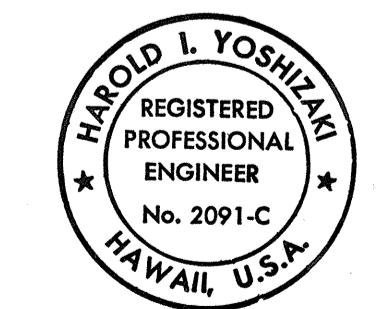
	CONDUIT	CABLE
1	4-2" Sch. 80	2-26C #14, 5-2C #14, 1-3C #6
2	2-2" Sch. 80	1-26C #14, 1-2C #14
3	1-2" Sch. 80	1-2C #14
4	1-2" Sch. 80	2-2C #14
5	3-2" Sch. 80	1-26C #14, 3-2C #14, 1-3C #6
6	2-2" Sch. 80	1-3C #6, 2-2C #14

**NOTE:**  
CONDUITS AND PULL BOXES  
INSTALLED BY OTHERS.



**SERVICE POLE DETAIL**  
Not To Scale

APPROVED:  
*R. Uegato*  
CHIEF, PLANNING & ENGINEERING, BWS 5-16-88 DATE



THIS WORK WAS PREPARED BY  
ME OR UNDER MY SUPERVISION.  
*Harold I. Yoshizaki*

STATE OF HAWAII  
DEPARTMENT OF TRANSPORTATION  
HIGHWAYS DIVISION

**TRAFFIC SIGNAL, PAVEMENT STRIPING/  
MARKING & SIGNING PLAN**

KALANIANA'OLE HIGHWAY PEDESTRIAN  
TRAFFIC SIGNALS AT WAIMANALO  
ELEMENTARY & INTERMEDIATE SCHOOL

PROJECT NO. 72A-01-87  
SCALE: AS NOTED DATE: MAY 1988  
SHEET NO. 1 OF 1 SHEETS

DATE	.....
SURVEY PLICITTED BY	.....
DRAWN BY	.....
DESIGNED BY	.....
QUANTITIES BY	.....
CHECKED BY	.....
ORIGINAL PLAN	.....
NOTE BOOK	.....
No.	.....