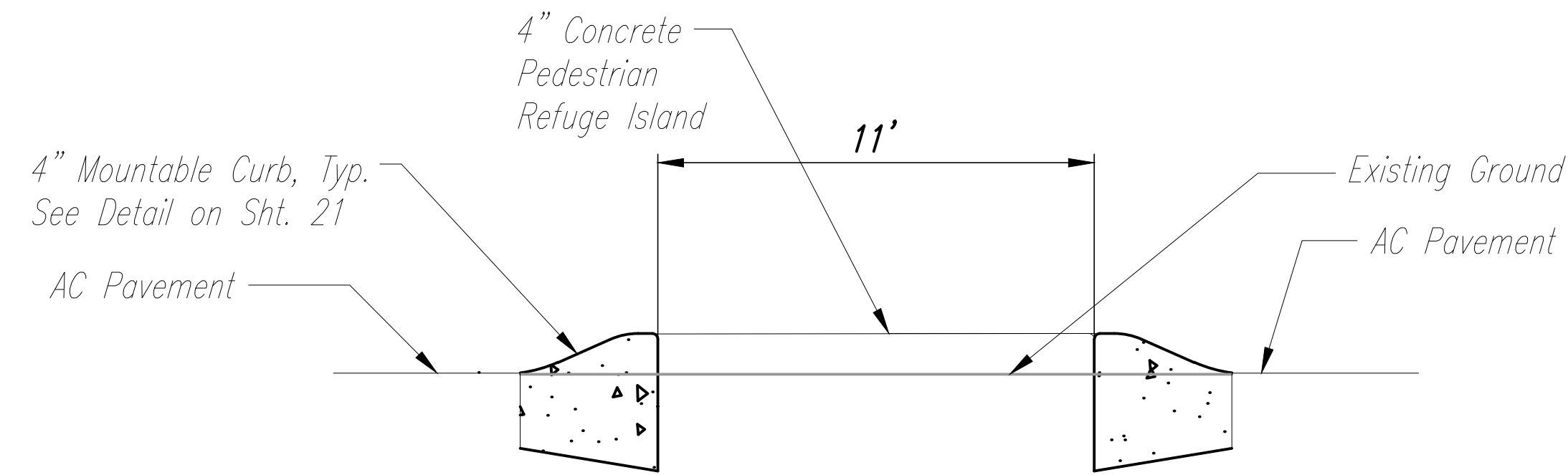
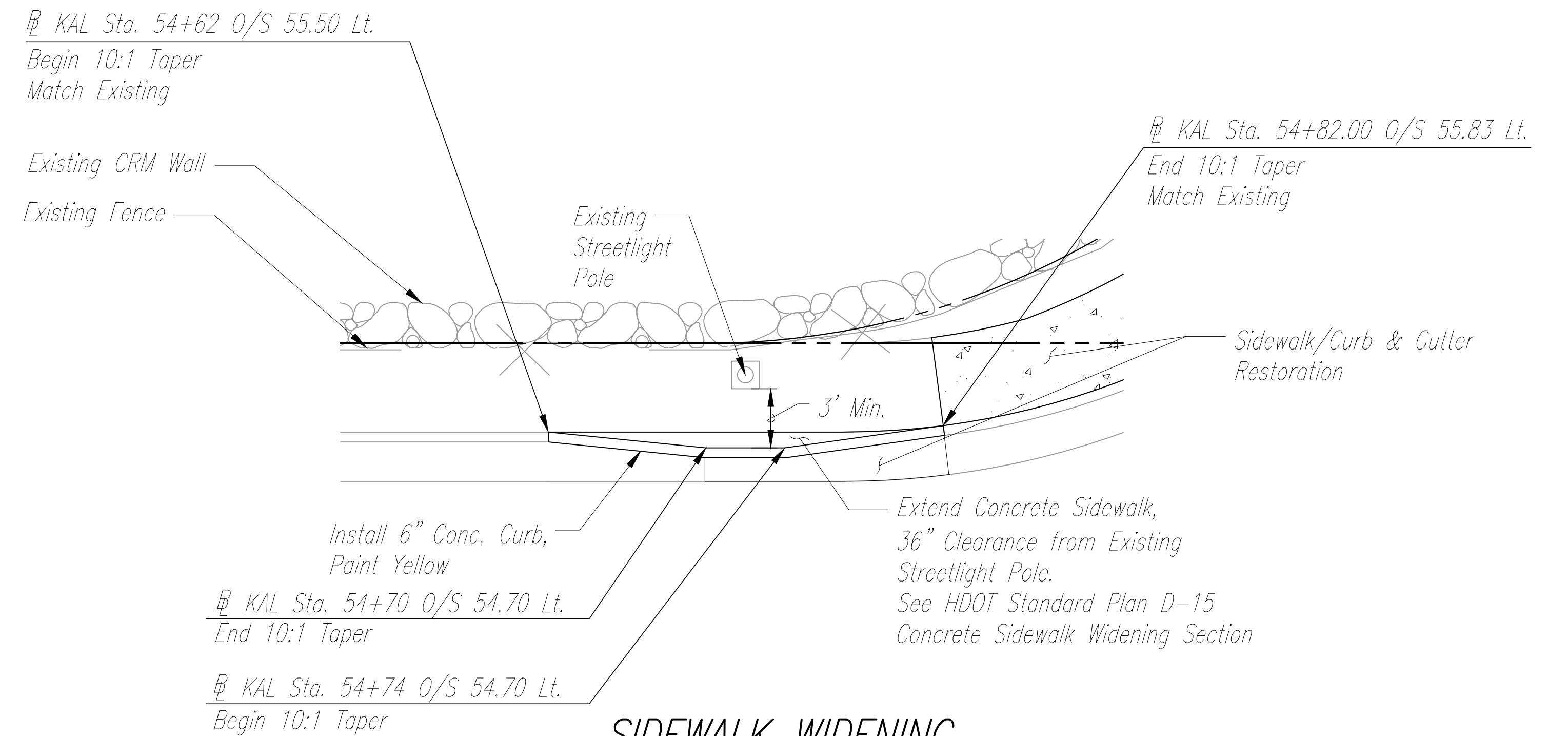


FED. ROAD DIST. NO.	STATE	PROJ. NO.	FISCAL YEAR	SHEET NO.	TOTAL SHEETS
HAWAII	HAW.	72C-01-19	2019	13	48

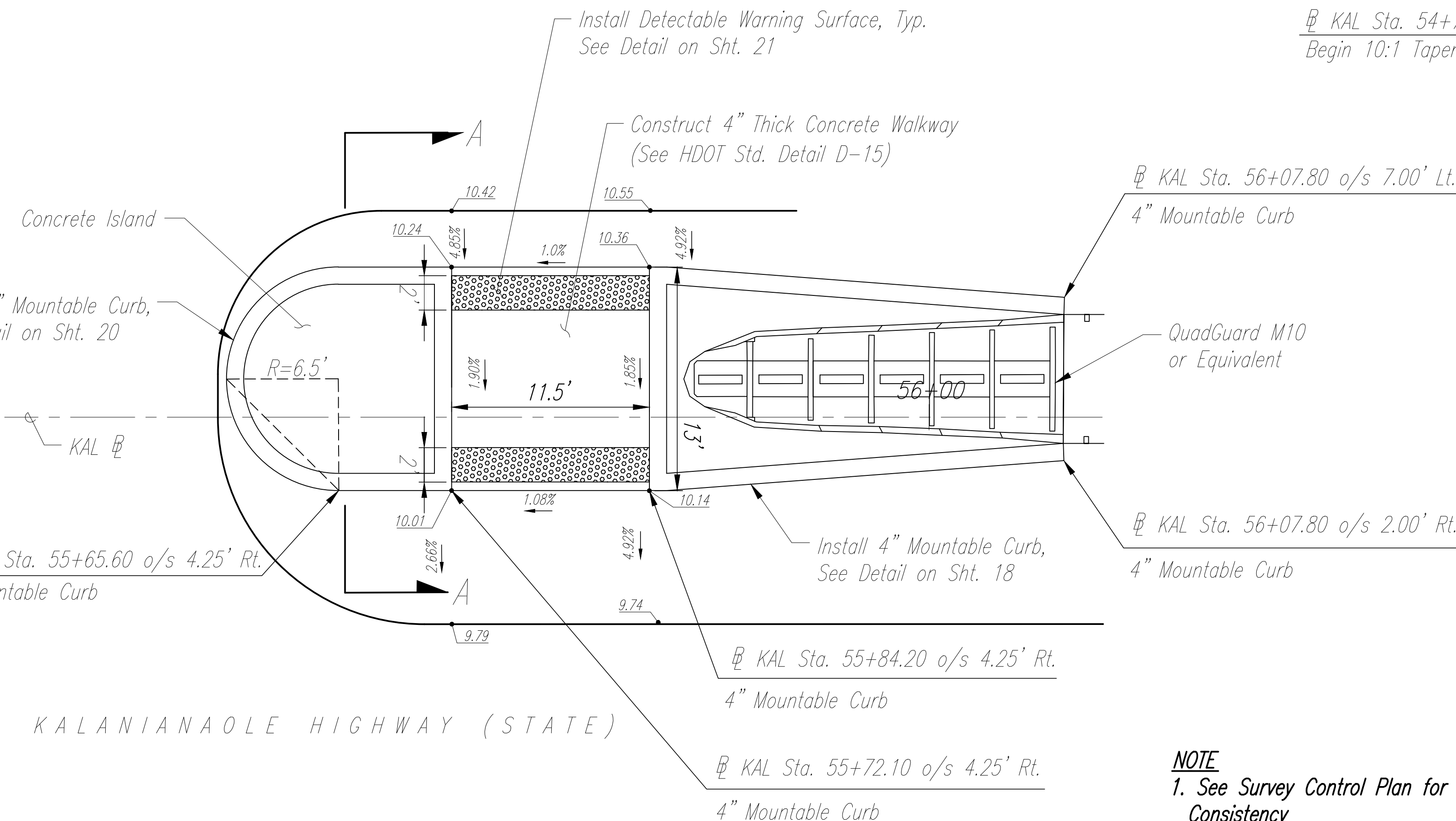


SECTION A-A
Not to Scale

NOTE:
For new pavement, see
Pavement Plan on Sht. 19



SIDEWALK WIDENING
Not to Scale

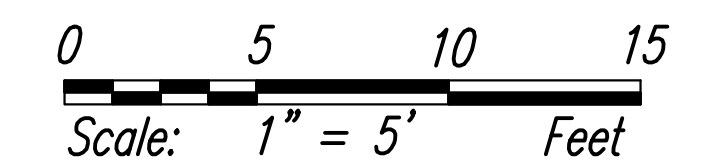


PEDESTRIAN REFUGE ISLAND
Not to Scale

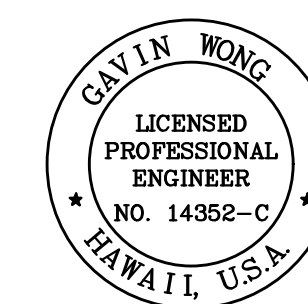
NOTE
1. See Survey Control Plan for Elevation
Consistency

LEGEND

- New Concrete
- 10.42 Approximate Exist. Ground
- 10.57 TC Finish Grade
- 10.24 BC Slope
- 2% Slope



DATE	_____
SURVEY PLOTTED BY	_____
DRAWN BY	_____
TRACED BY	_____
DESIGNED BY	_____
QUANTITIES BY	_____
CHECKED BY	_____
ORIGINAL PLAN	_____
NOTE BOOK	_____
No.	_____



THIS WORK WAS PREPARED BY ME
OR UNDER MY SUPERVISION.
SIGNATURE: EXPIRATION DATE: 4/30/20 OF LICENSE

STATE OF HAWAII
DEPARTMENT OF TRANSPORTATION
HIGHWAYS DIVISION

CURB DETAILS
KALANIANA'OLE HIGHWAY
TRAFFIC SIGNAL INSTALLATION AT WAA ST.
Project No. 72C-01-19

Scale 1"=5' Date: November 2019

SHEET No. 1 OF 1 SHEETS