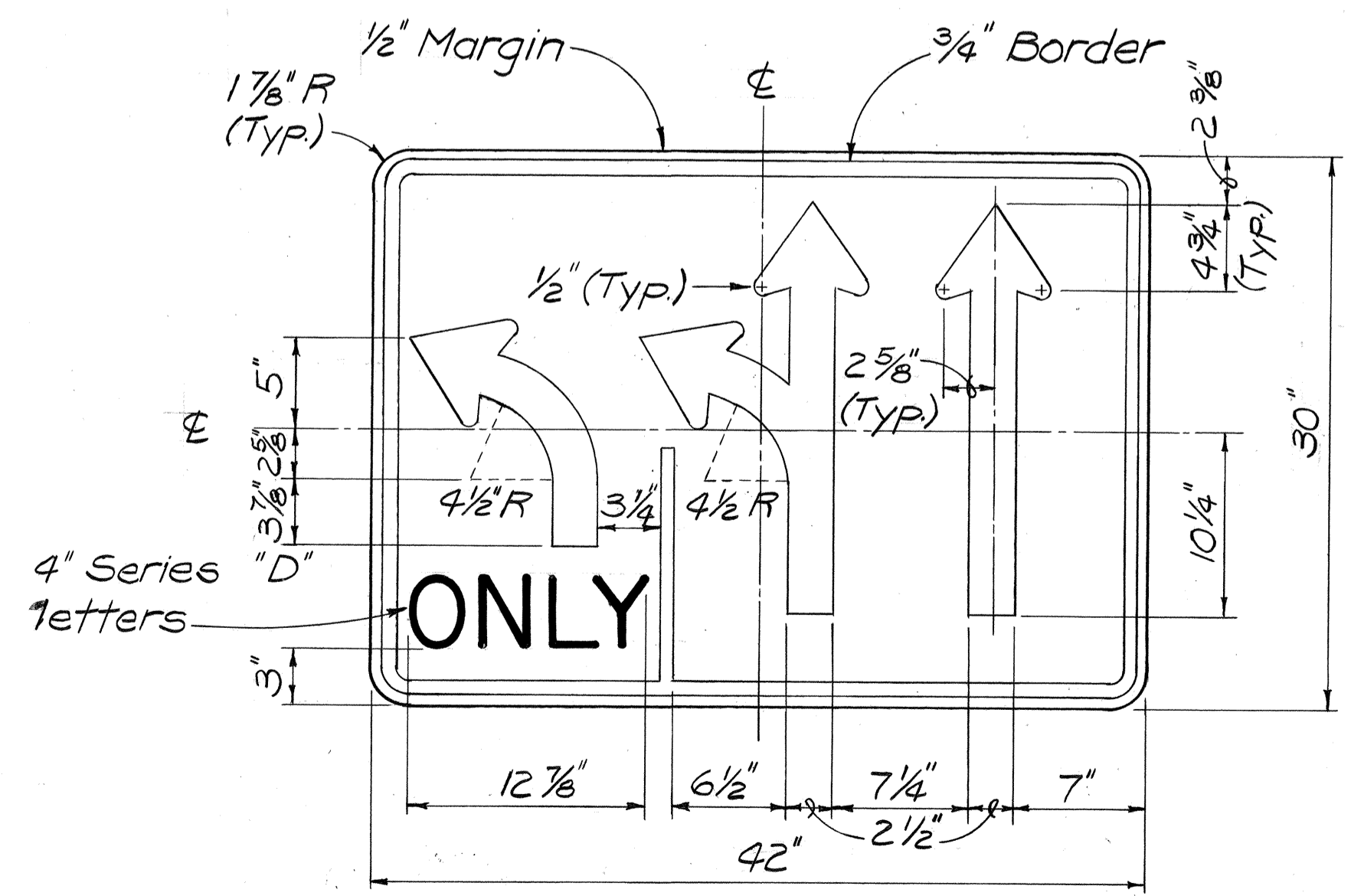
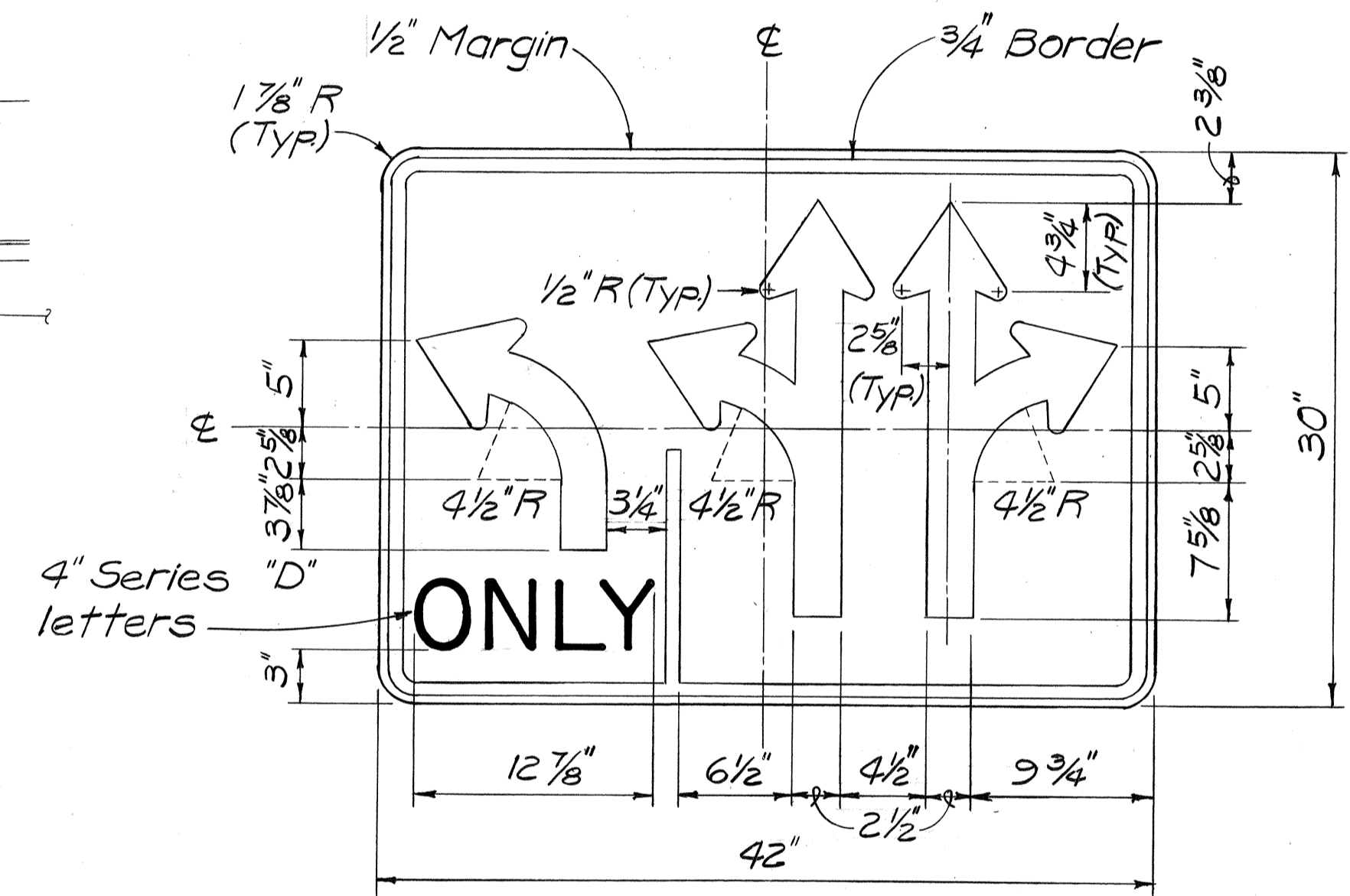
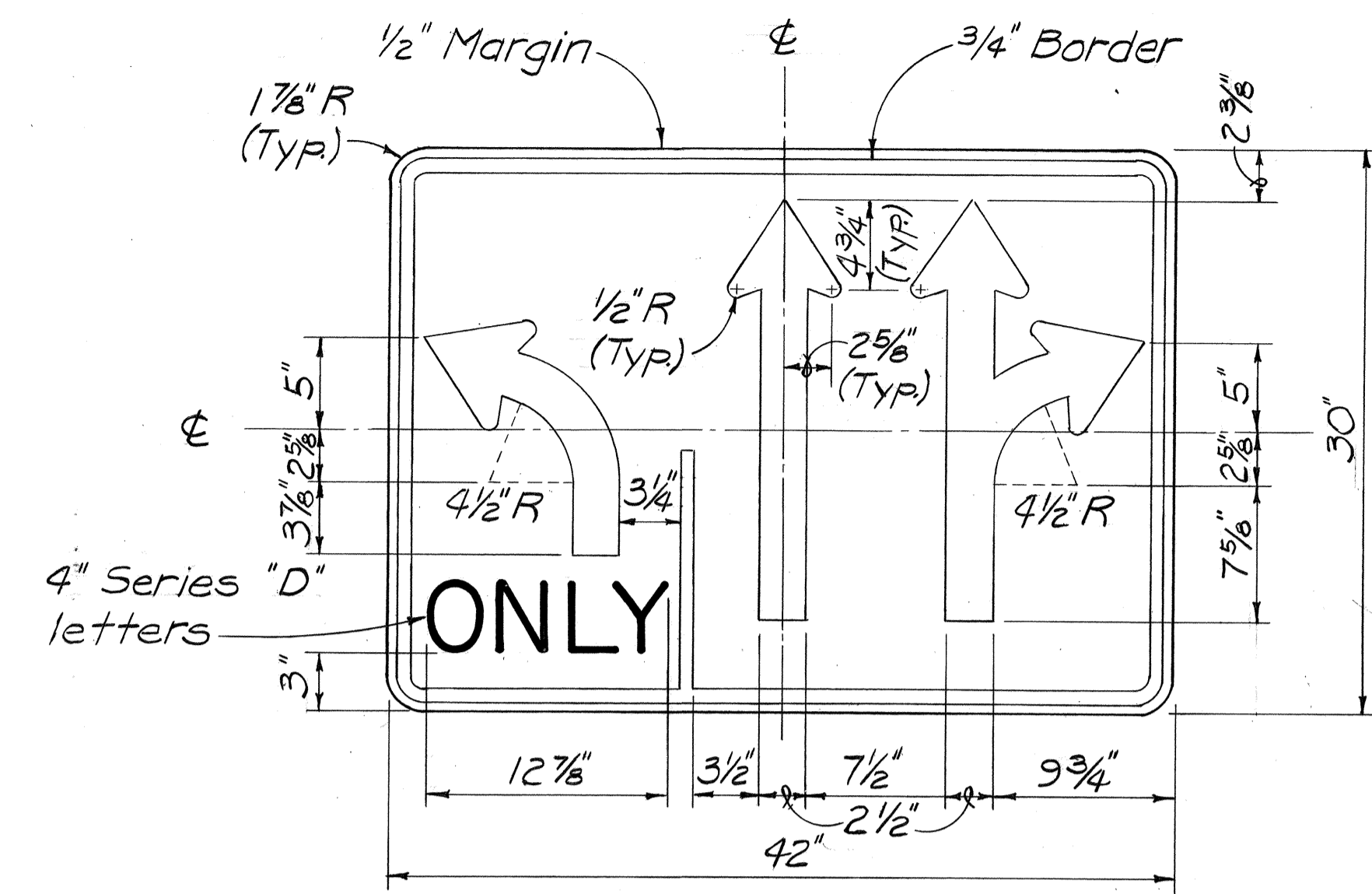
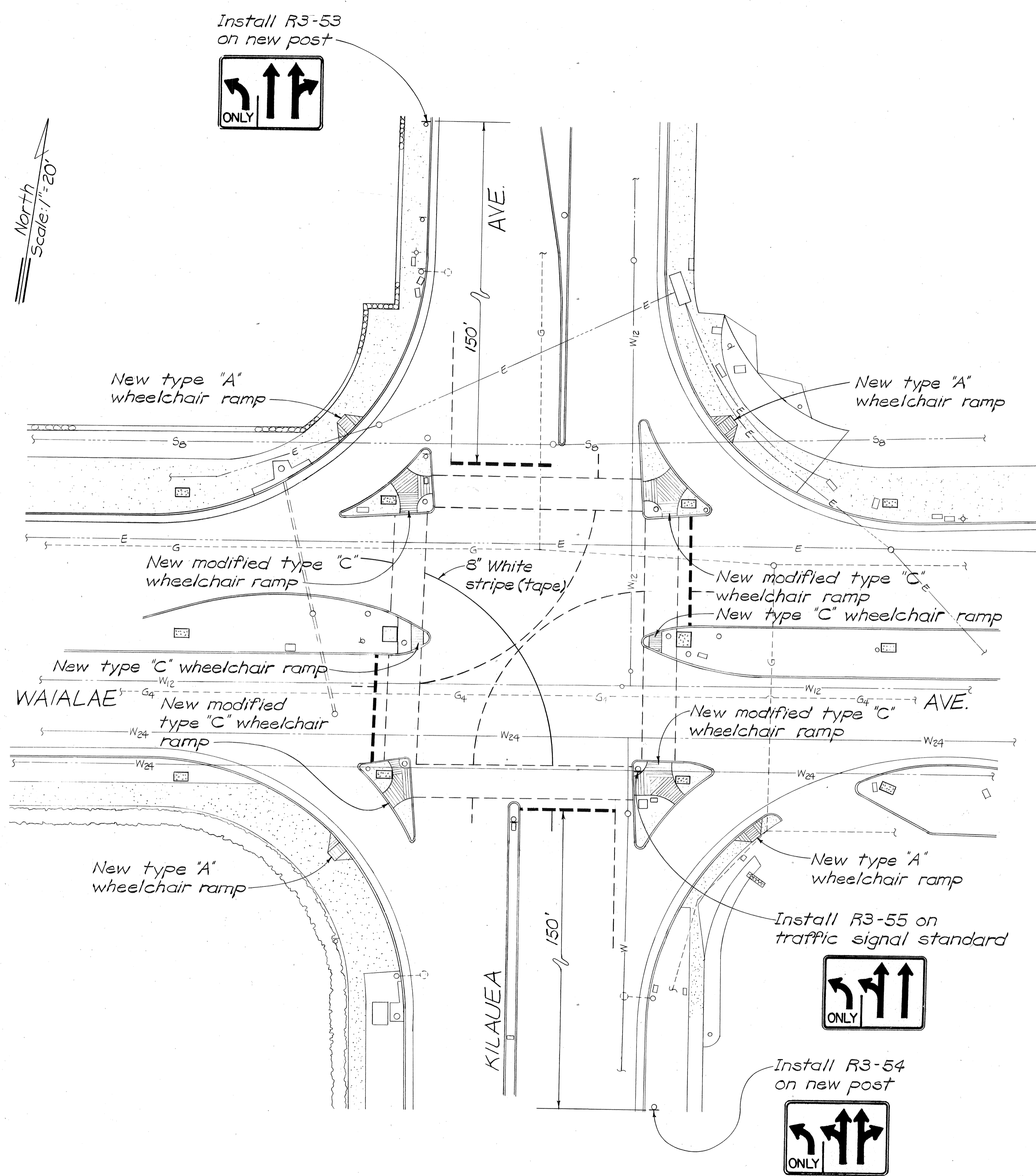


FED. ROAD DIST. NO.	STATE	PROJ. NO.	FISCAL YEAR	SHEET NO.	TOTAL SHEETS
HAWAII	HAW.	7801A-01-87	1987	5	6

GENERAL NOTES

1. Sign details shall conform to the latest editions of the following FHWA publications: "Manual on Uniform Traffic Control Devices for Streets and Highways," and "Standard Highway Signs," and as amended.
2. All regulatory signs shall be reflectorized unless otherwise specified.
3. All regulatory signs shall have $\frac{3}{8}$ " bolt holes drilled at appropriate locations.
4. Signs R3-53, R3-54, and R3-55 are variations of sign R3-8. Plate and arrow details shall conform to sign R3-8 unless otherwise noted.



DATE	
SURVEY PLOTTED BY	
DRAWN BY	
TRACED BY	
NOTE BOOK	
QUANTITIES BY	
CHECKED BY	
No.	

STATE OF HAWAII
DEPARTMENT OF TRANSPORTATION
HIGHWAYS DIVISION

STRIPING, SIGNING, & MISCELLANEOUS DETAILS

WAI'ALAE AVENUE
Intersection Impr. at Kilauea Ave.
Project No. 7801A-01-87
Scale: As Shown Date: Nov, 1986
SHEET NO. 5 OF 6 SHEETS