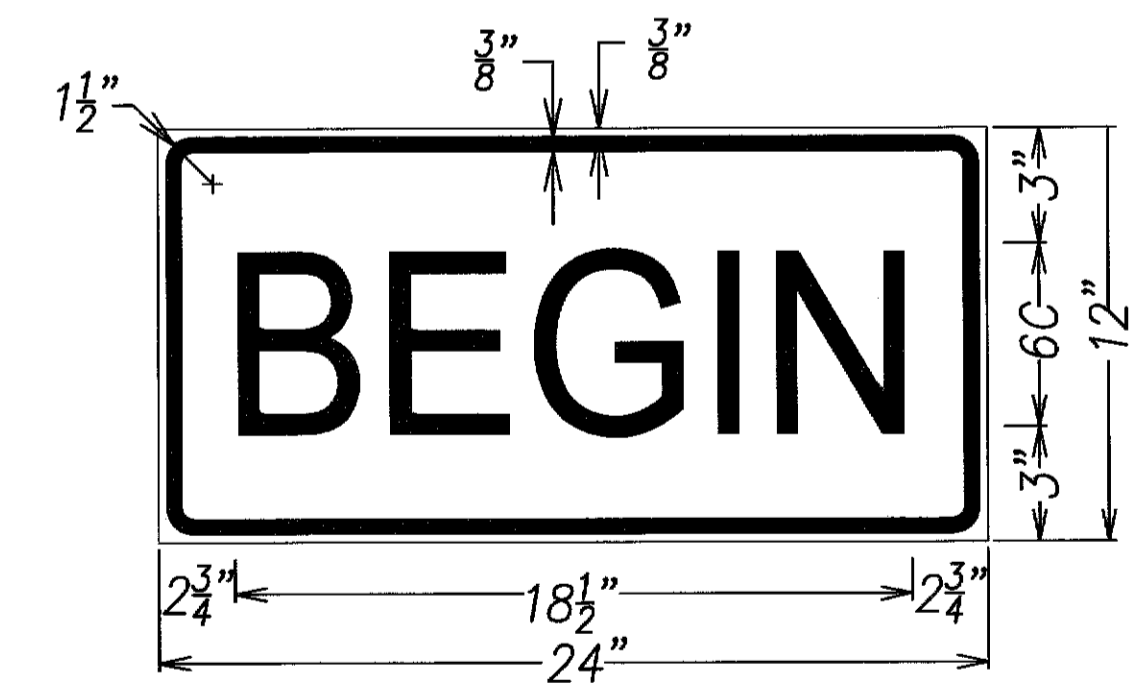
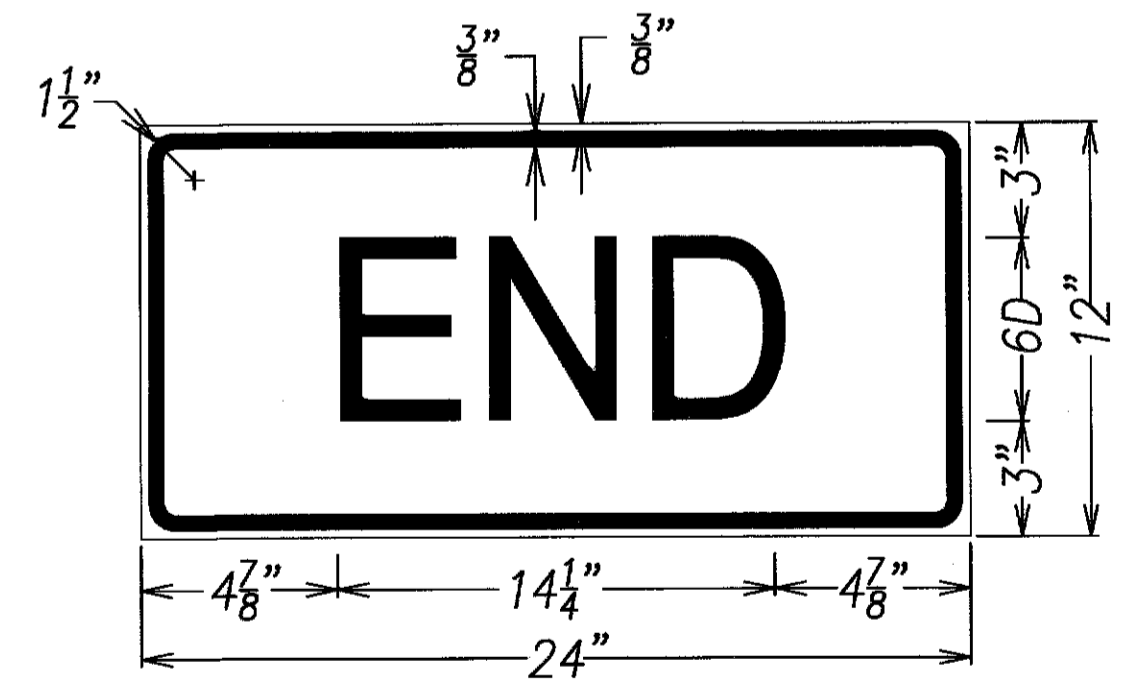


*Note:
 Legend: Black
 Background: Orange
 Speed Limit: Black on White

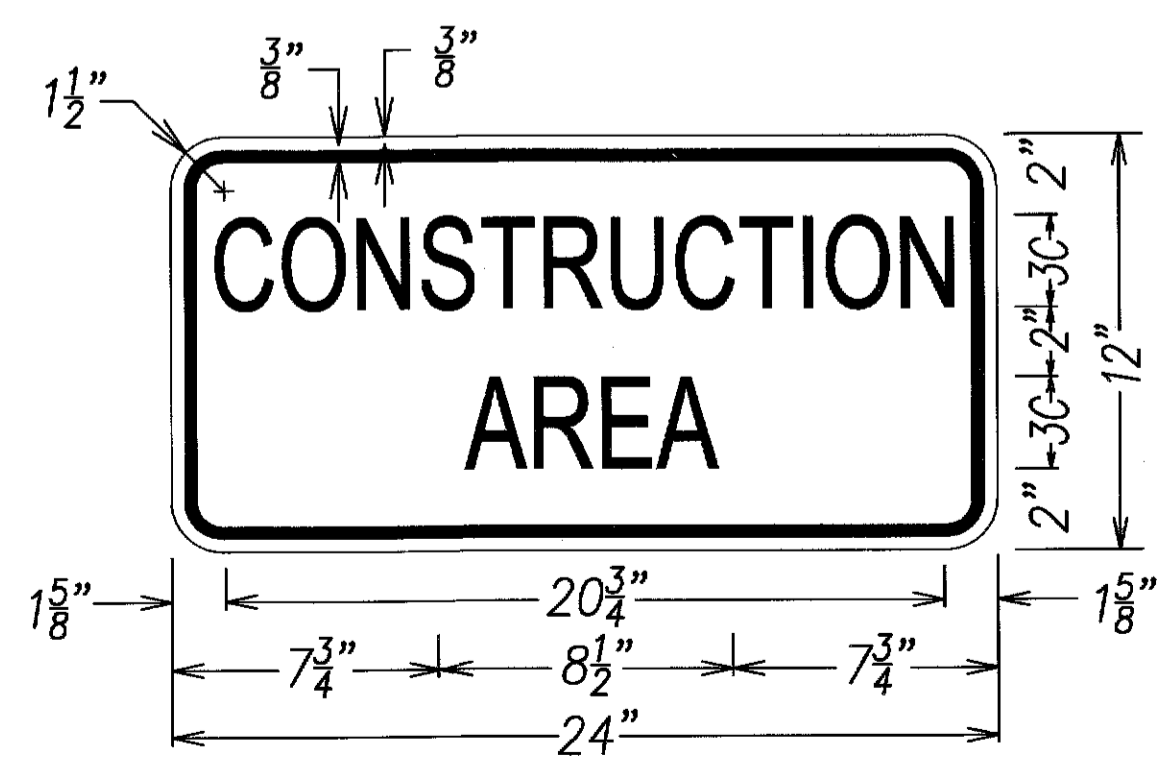
TYPICAL DETAIL FOR CONSTRUCTION SIGNS
 ON TWO LANE OR MULTILANE UNDIVIDED LOW SPEED HIGHWAY



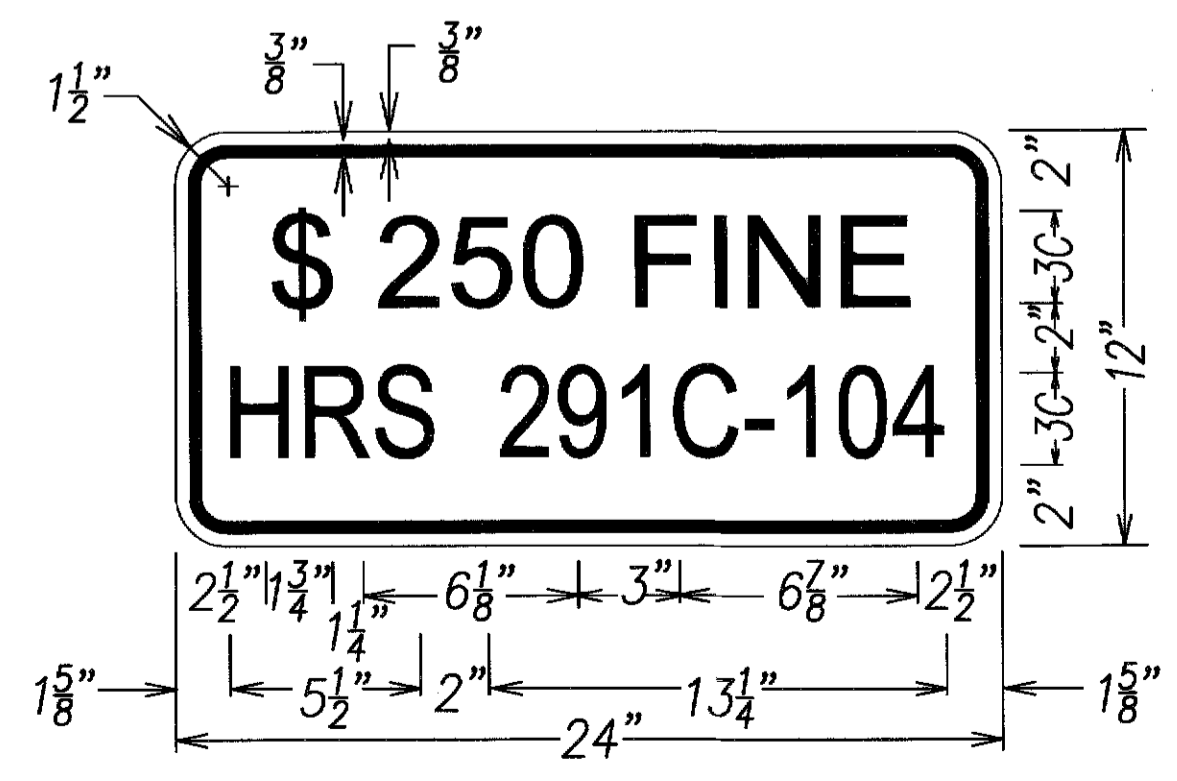
LEGEND: BLACK
 BACKGROUND: ORANGE



LEGEND: BLACK
 BACKGROUND: ORANGE



LEGEND: BLACK
 BACKGROUND: ORANGE



LEGEND: BLACK
 BACKGROUND: WHITE

Work Zone Notes:

1. This Work Zone Sign Plan is intended for use on long-term stationary work zones/construction phases (3 days or more). All work zones or construction phases less than 3 days duration will use Traffic Control Plans shown in Section 645 of the Special Provisions.
2. All existing regulatory speed limit signs with posts within the work zone/project limits shall be removed and replaced with work zone speed limit sign assemblies (R2-1(25) and CW3-5(25) with "CONSTRUCTION AREA" and "\$250 FINE HRS 291C-104" Supplemental Signs).
3. Construction sign assemblies shall be installed on both the approaching and trailing ends of each work zone as shown on this plan.
4. Each construction warning sign shall have a minimum of two (2) Type II OM. Each work zone speed limit assembly shall have a minimum of one (1) Type II OM. Installation of each Type II OM shall be considered incidental to Work Zone, Traffic Control.
5. Upon the completion of all physical work or as directed by the Engineer, all construction signs and work zone speed limit assemblies shall be removed. All speed limit signs and posts that were existing at the start of the project within the work zone/project limits shall be restored back to their original locations and configurations.
6. Placement of construction signs shall not obstruct the path of pedestrians and bicyclists.
7. The removal and restoration of existing regulatory speed limit signs with new posts along with the installation, maintenance and removal of work zone speed limit sign assemblies shall be considered incidental to Work Zone, Traffic Control.

Work Zone Note 2 & 5 - Number of Signs to be Removed and Reinstalled:	
R2-1 (45)	1
R2-1 (35)	3
R2-5B (25)	1

DATE: _____
 SURVEY PLOTTED BY: _____
 ORIGINAL PLAN: _____
 TRACED BY: _____
 NOTE BOOK: _____
 DESIGNED BY: _____
 QUANTITIES BY: _____
 CHECKED BY: _____
 No. _____

KENNETH O. NAGLI
 LICENSED PROFESSIONAL ENGINEER
 No. 3265-C
 HAWAII, U.S.A.
 SIGNATURE: _____
 APRIL 30, 2010
 EXPIRATION DATE OF LICENSE
 THIS WORK WAS PREPARED BY ME OR UNDER MY SUPERVISION

STATE OF HAWAII
 DEPARTMENT OF TRANSPORTATION
 HIGHWAYS DIVISION
**WORK ZONE SIGNING PLAN,
 NOTES, AND DETAILS**
 KALANIANA'OLE HIGHWAY MEDIAN
 IMPROVEMENTS VICINITY OF OLOMANA
 GOLF COURSE PROJECT NO. 72A-02-06
 SCALE: Not to Scale DATE: June 2008
 SHEET No. C-29 OF 43 SHEETS