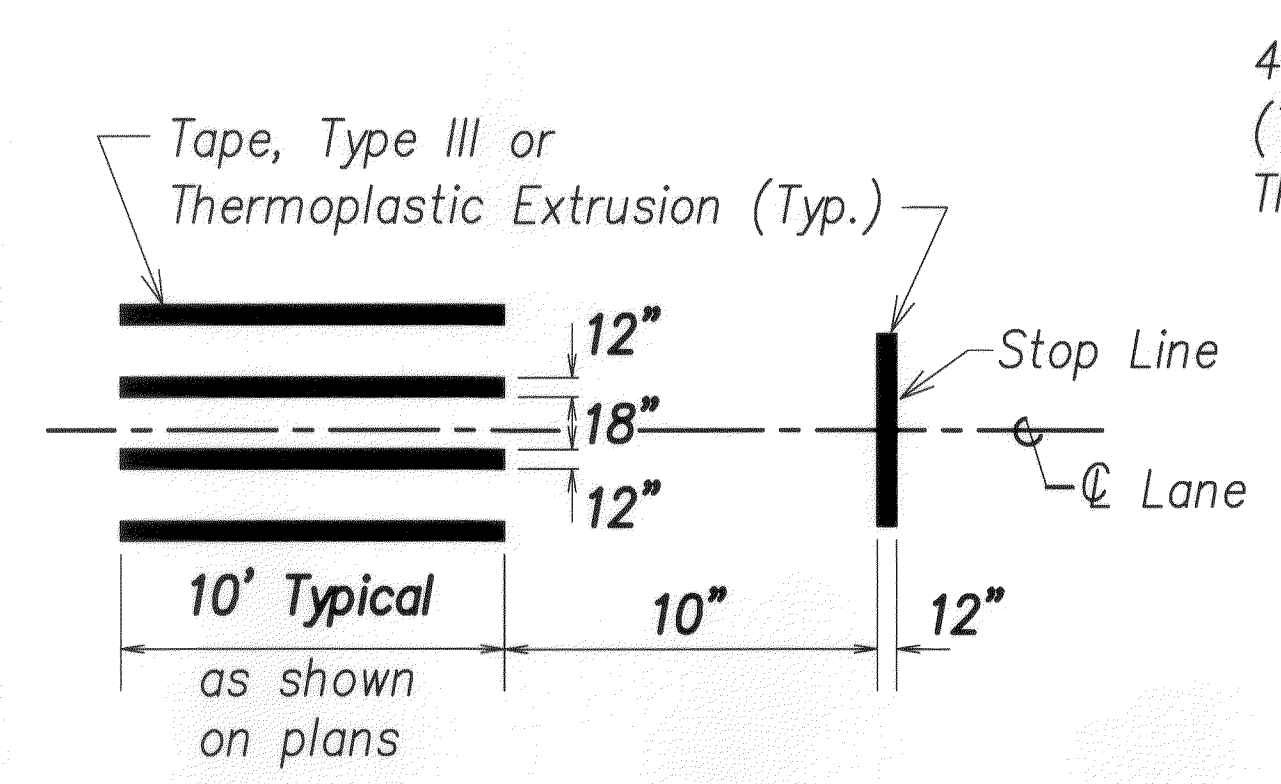
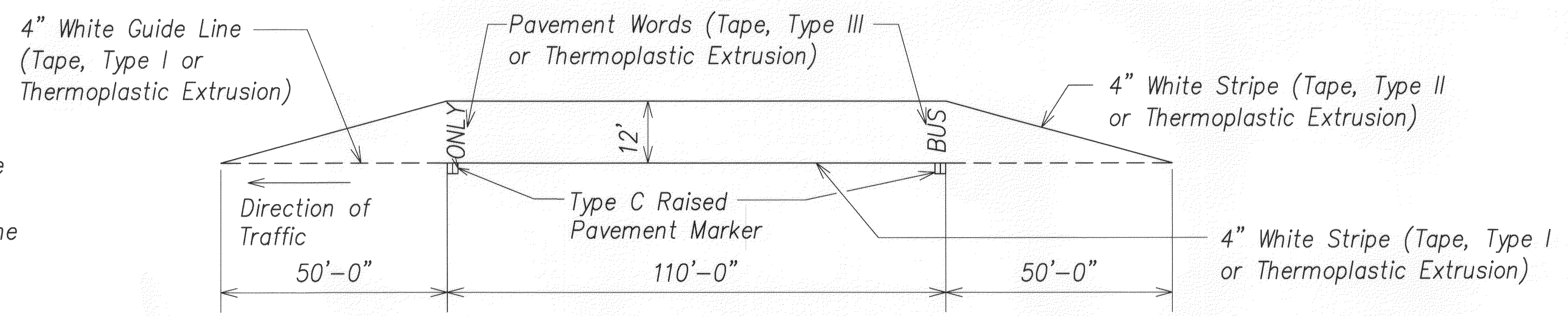


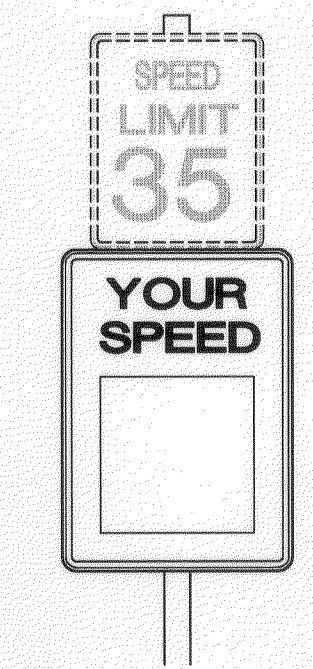
FED. ROAD DIST. NO.	STATE	PROJECT NO.	FISCAL YEAR	SHEET NO.	TOTAL SHEETS
HAWAII	HAW.	72A-02-06	2008	29	66



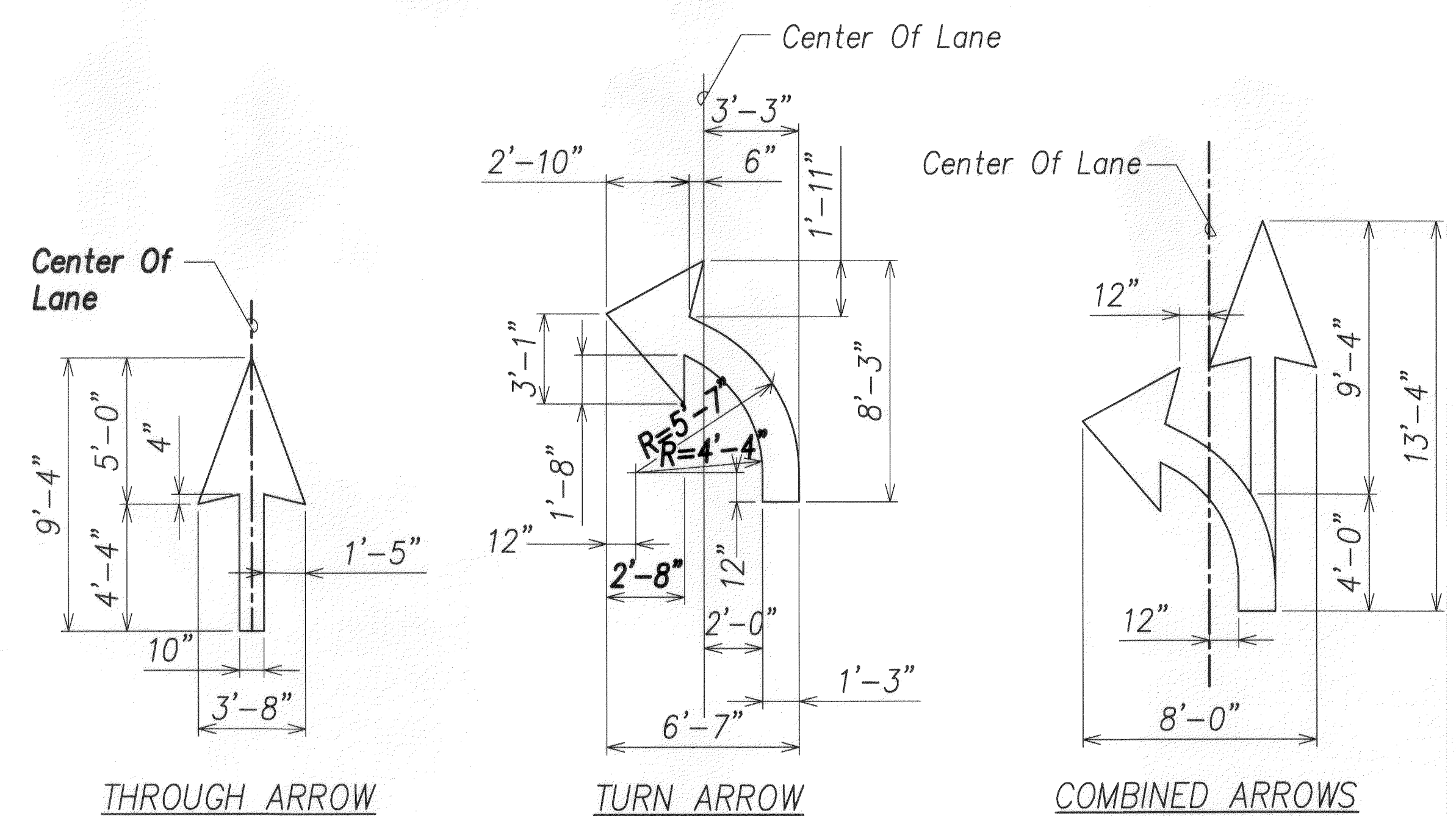
CROSSWALK STRIPING DETAIL
Scale: Not to Scale



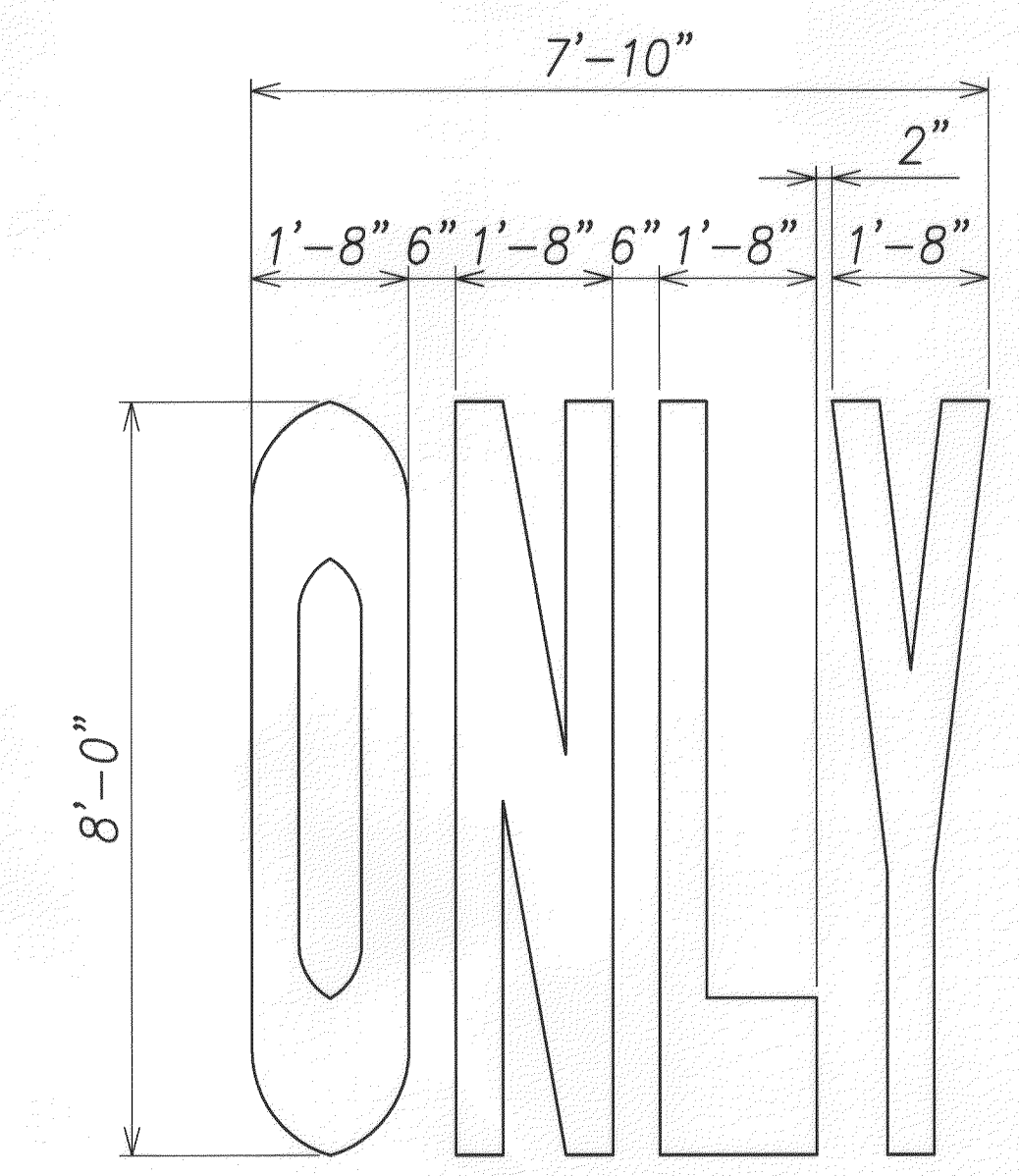
BUS BAY STRIPING
Scale: Not to Scale



Existing R2-1
24" X 30"
New Driver Feedback
w/ 12-Inch High
Numeric Characters
DRIVER FEEDBACK SIGN
Scale: Not to Scale



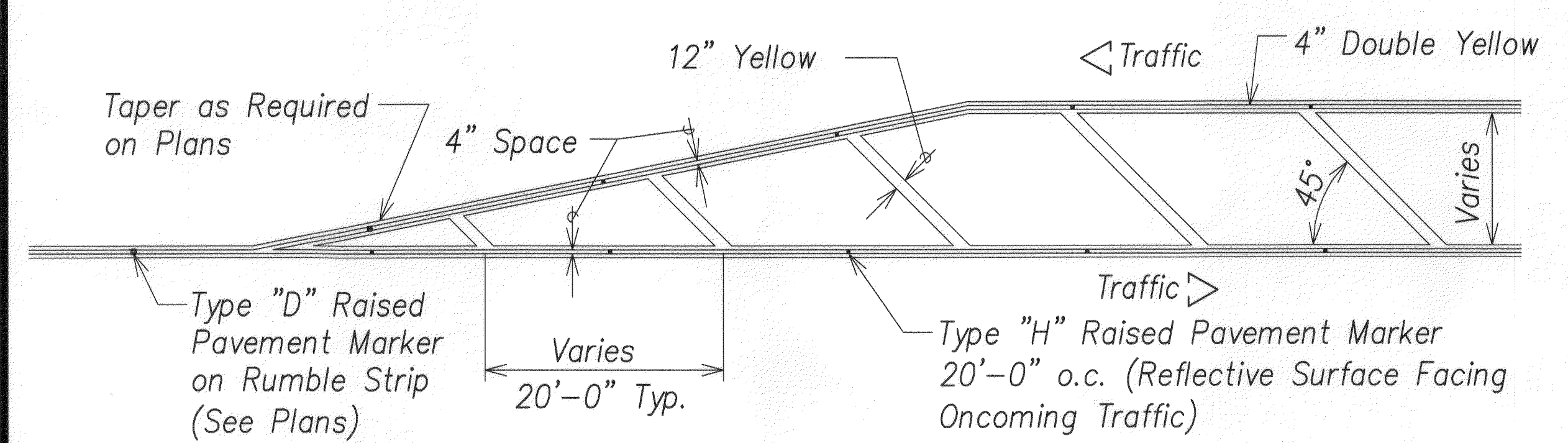
PAVEMENT ARROWS
Scale: 1/4" = 1'-0"



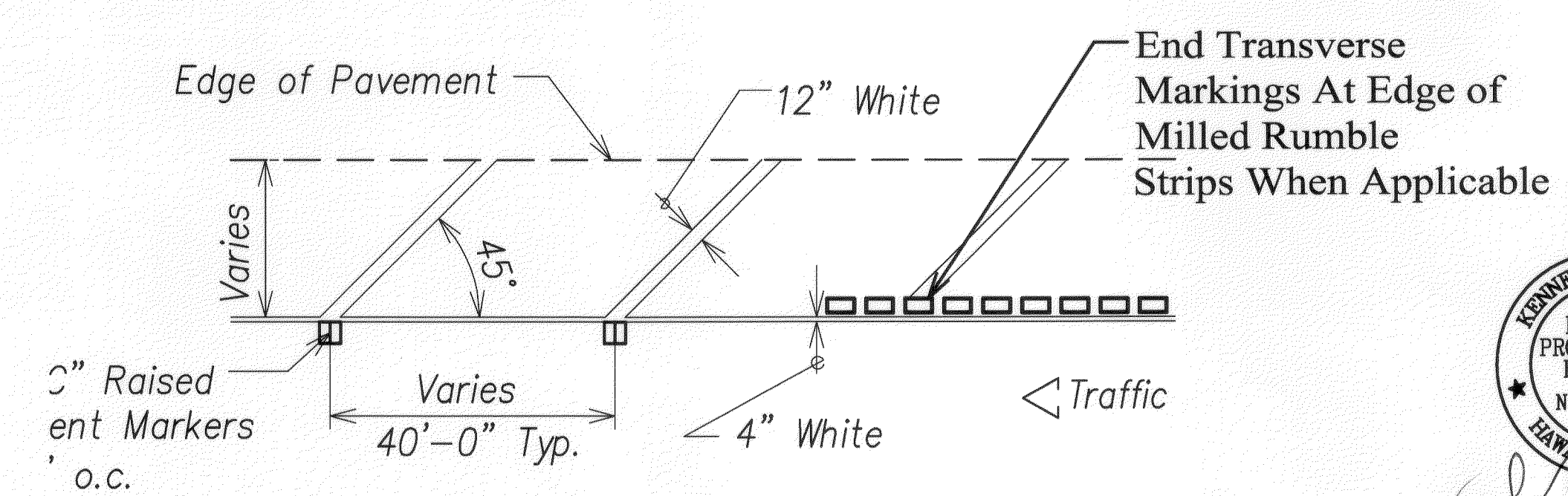
STANDARD "ONLY" DETAIL
Scale: 1/2" = 1'-0"

Note:
When this marking is used, it shall be painted in each lane of traffic approaching the intersection.

DATE	_____
DESIGNED BY	_____
DRAWN BY	_____
CHECKED BY	_____
APPROVED BY	_____
NO. _____	



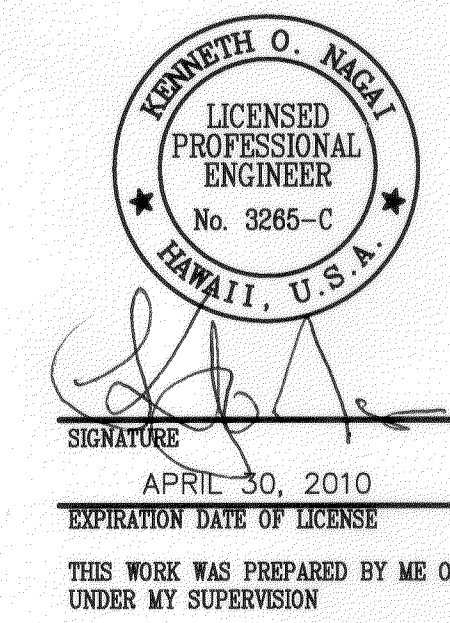
TRANSVERSE MEDIAN MARKING
Scale: Not to Scale



TRANSVERSE RIGHT SHOULDER MARKING
Scale: Not to Scale

LEGEND FOR AS-BUILT POSTING

	Squiggly line for as-built deletion
	Double line for as-built deletion
	Text for as-built posting



STATE OF HAWAII
DEPARTMENT OF TRANSPORTATION
HIGHWAYS DIVISION

SIGNING & PAVEMENT MARKING DETAILS

KALANIANA'OLE HIGHWAY MEDIAN IMPROVEMENTS VICINITY OF OLOMANA GOLF COURSE PROJECT NO. 72A-02-06

SCALE: AS NOTED DATE: June 2008

SHEET No. C-27 OF 43 SHEETS

"AS-BUILT"