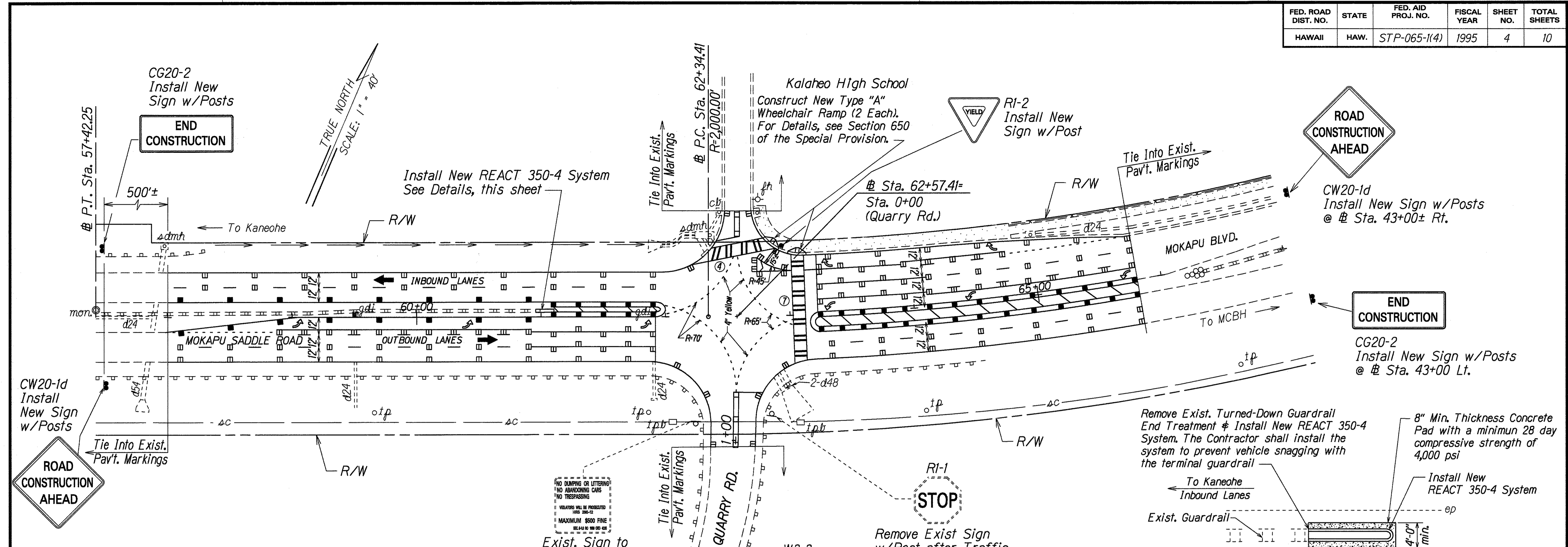


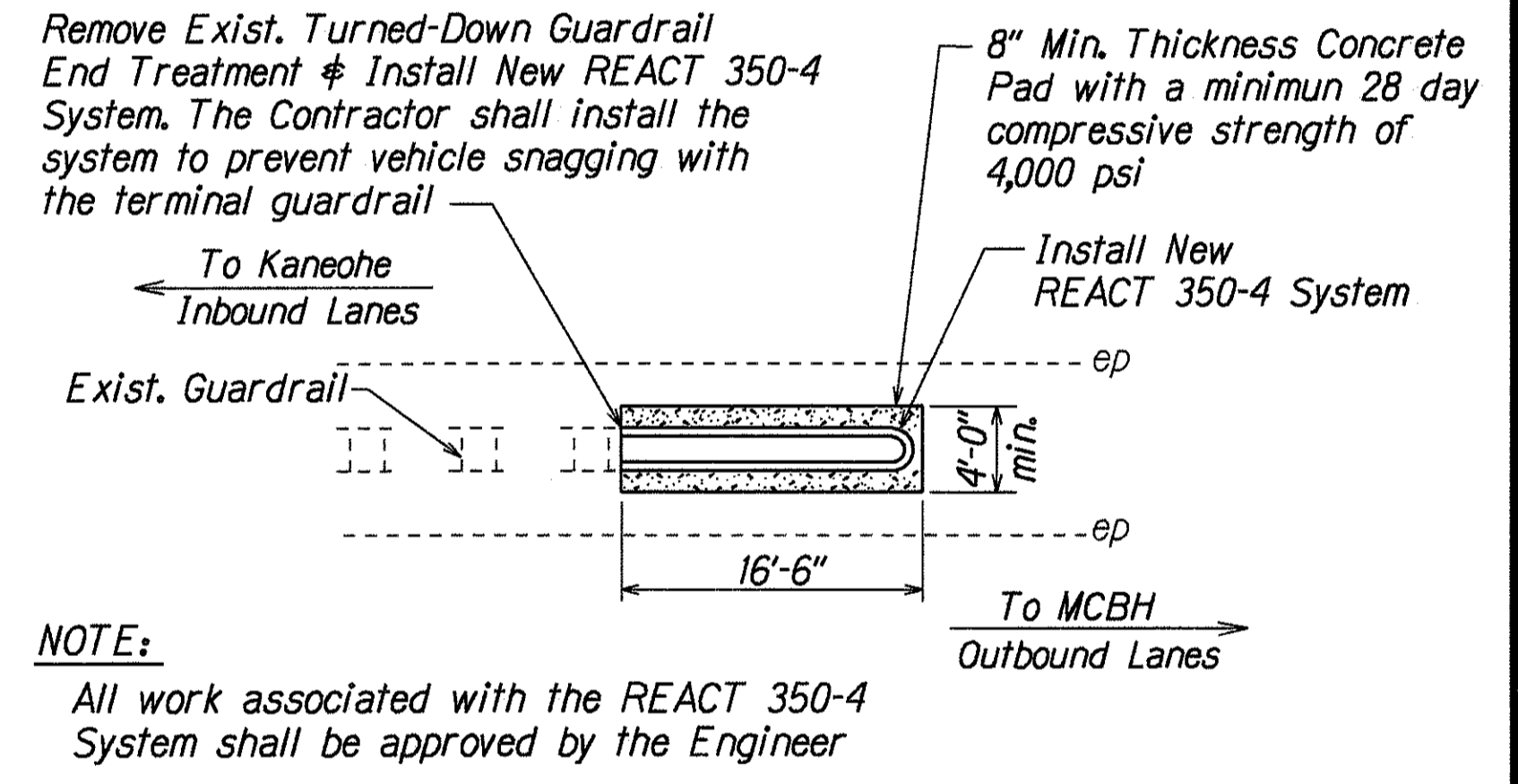
FED. ROAD DIST. NO.	STATE	FED. AID PROJ. NO.	FISCAL YEAR	SHEET NO.	TOTAL SHEETS
HAWAII	HAW.	STP-065-1(4)	1995	4	10



PAVEMENT MARKING SUMMARY	
DESCRIPTION	QUANTITY
PAVEMENT MARKERS	
TYPE A _____	152 EA.
TYPE C _____	129 EA.
TYPE D _____	5 EA.
TYPE H _____	54 EA.
TAPE - TYPE I OR THERMOPLASTIC EXTRUSION	
4-INCH PAVEMENT STRIPE (WHITE) _____	460 L.F.
8-INCH PAVEMENT STRIPE (WHITE) _____	495 L.F.
DOUBLE 4-INCH PAVEMENT STRIPE (YELLOW) _____	70 L.F.
TAPE - TYPE II OR THERMOPLASTIC EXTRUSION	
4-INCH PAVEMENT STRIPE (WHITE) _____	1,690 L.F.
4-INCH PAVEMENT STRIPE (YELLOW) _____	620 L.F.
8-INCH PAVEMENT STRIPE (WHITE) _____	75 L.F.
12-INCH PAVEMENT STRIPE (WHITE) _____	25 L.F.
12-INCH PAVEMENT STRIPE (YELLOW) _____	190 L.F.
DOUBLE 4-INCH PAVEMENT STRIPE (YELLOW) _____	720 L.F.
TAPE - TYPE III OR THERMOPLASTIC EXTRUSION	
4-INCH PAVEMENT STRIPE (WHITE) _____	90 L.F.
4-INCH PAVEMENT STRIPE (YELLOW) _____	350 L.F.
12-INCH PAVEMENT STRIPE (WHITE) _____	150 L.F.
PAVEMENT ARROW _____	8 EA.
CROSSWALK MARKINGS _____	11 LANES

CONSTRUCTION SIGN SUMMARY			
SIGN NO.	MESSAGE	W/POSTS	W/O POST
CG20-2	END CONSTRUCTION	2	
CW20-1d	ROAD CONSTRUCTION AHEAD	2	
TOTAL		4	0

TRAFFIC SIGN SUMMARY			
SIGN NO.	MESSAGE	QUANTITY	
		10 SQ. FT. OR LESS	
		W/POST	W/O POST
RI-2	YIELD	1	
RI0-12	LEFT TURN YIELD ON GREEN ●		4
W3-3	⏸	1	
TOTAL		2	4



REACT 350-4 SYSTEM DETAIL
Not to Scale

6/16/95	Replace GREAT System with REACT 350-4 System
DATE	REVISION
STATE OF HAWAII DEPARTMENT OF TRANSPORTATION HIGHWAYS DIVISION PAVEMENT MARKING AND SIGNING PLAN MOKAPU SADDLE ROAD Traffic Signals at Kapaa Quarry Road Fed. Aid Project No. STP-065-1(4) Scale: 1" = 40' Date: Apr., 1995 SHEET No. 1 OF 1 SHEETS	

SURVEY PLOTTED BY _____	DATE 6/16/95
DRAWN BY J. A. C.	
DESIGNED BY C. A. B.	
QUANTITIES BY _____	
CHECKED BY _____	
ORIGINAL PLAN _____	
NOTE BOOK 102704	
DATE 6/16/95	