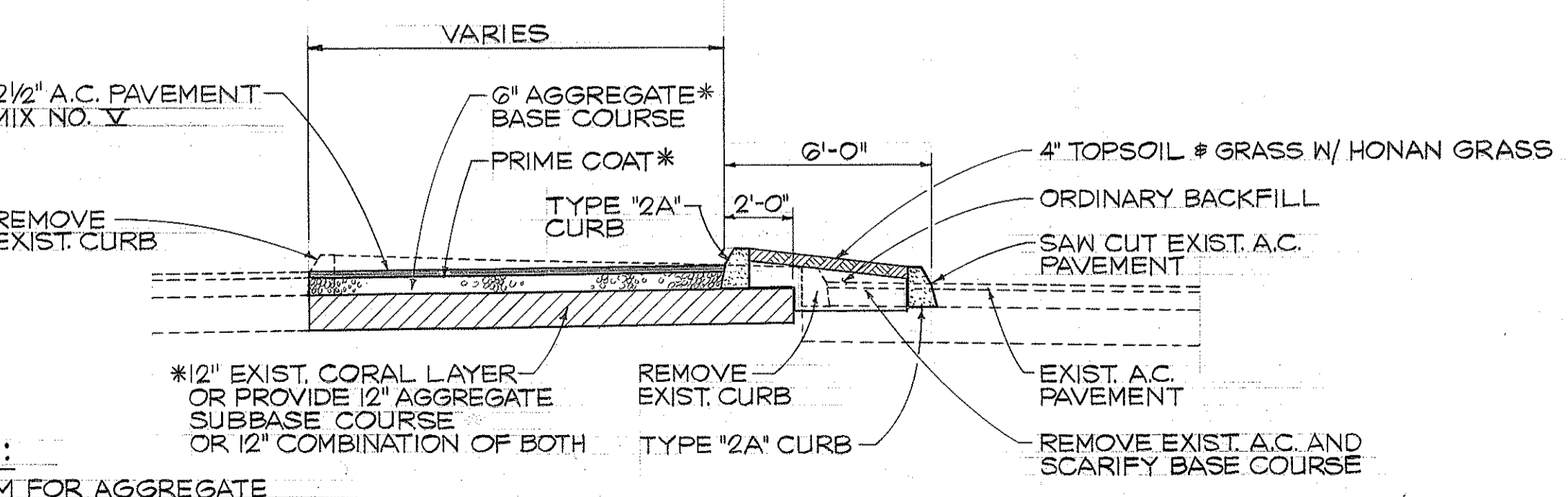
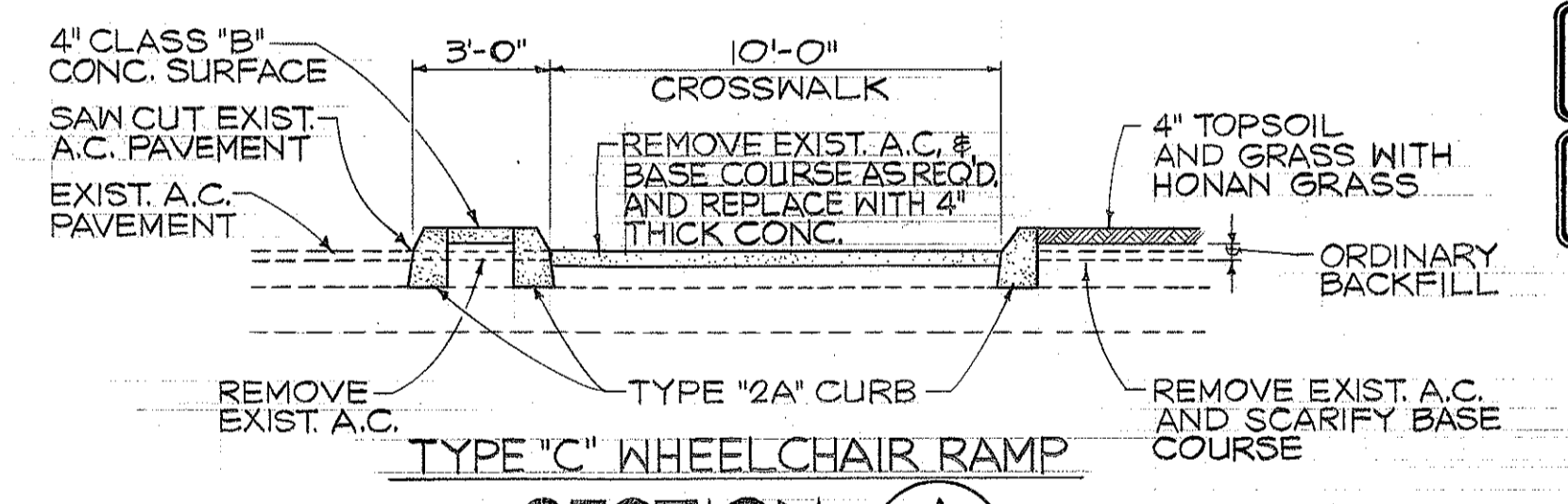
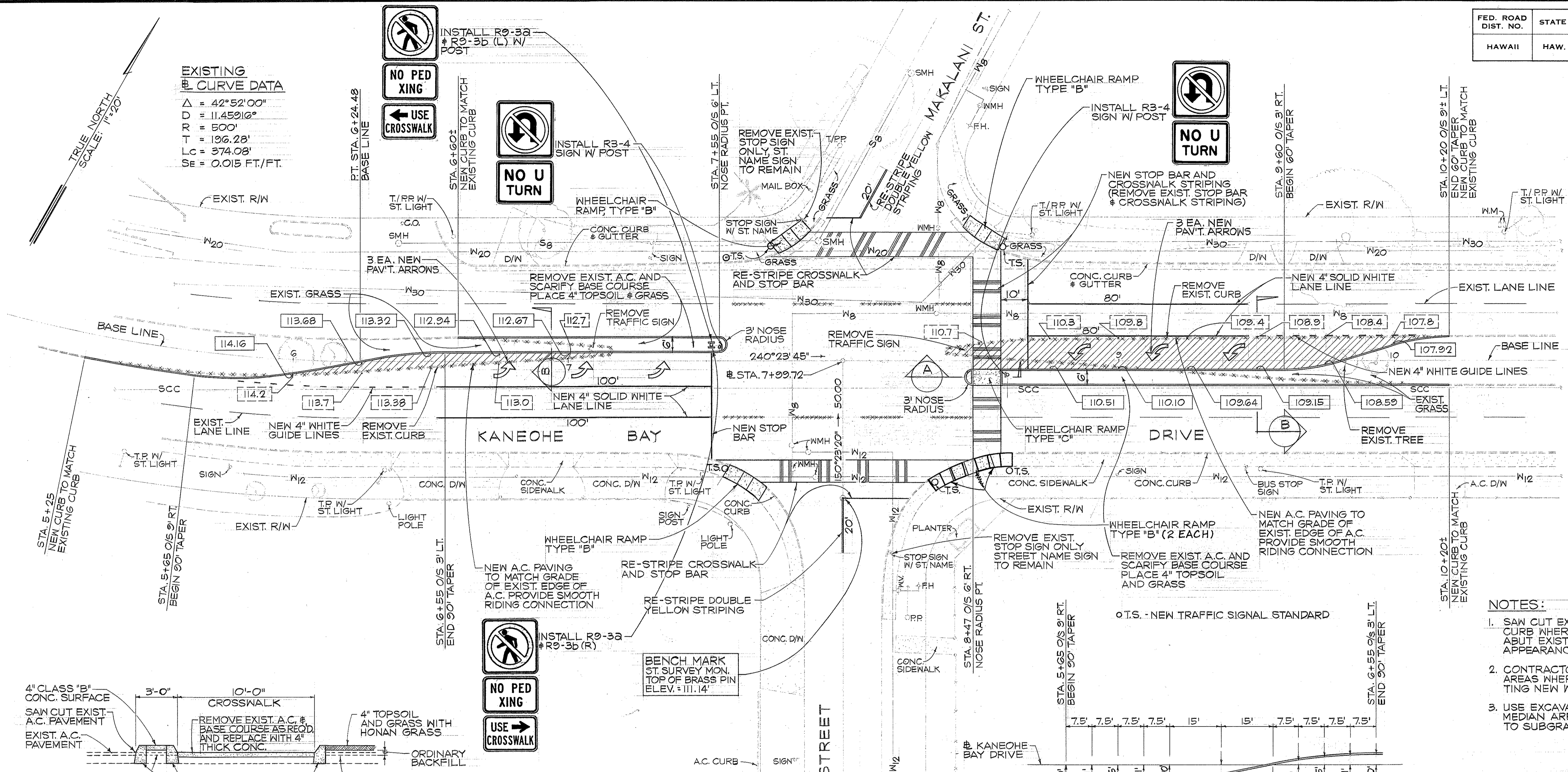


FED. ROAD DIST. NO.	STATE	PROJ. NO.	FISCAL YEAR	SHEET NO.	TOTAL SHEETS
HAWAII	HAW.	6300A-01-79	1980	3	20

EXISTING CURVE DATA
 $\Delta = 42^\circ 52' 00''$
 $D = 11,459.16'$
 $R = 500'$
 $T = 196.28'$
 $LC = 374.08'$
 $SE = 0.015 \text{ FT./FT.}$

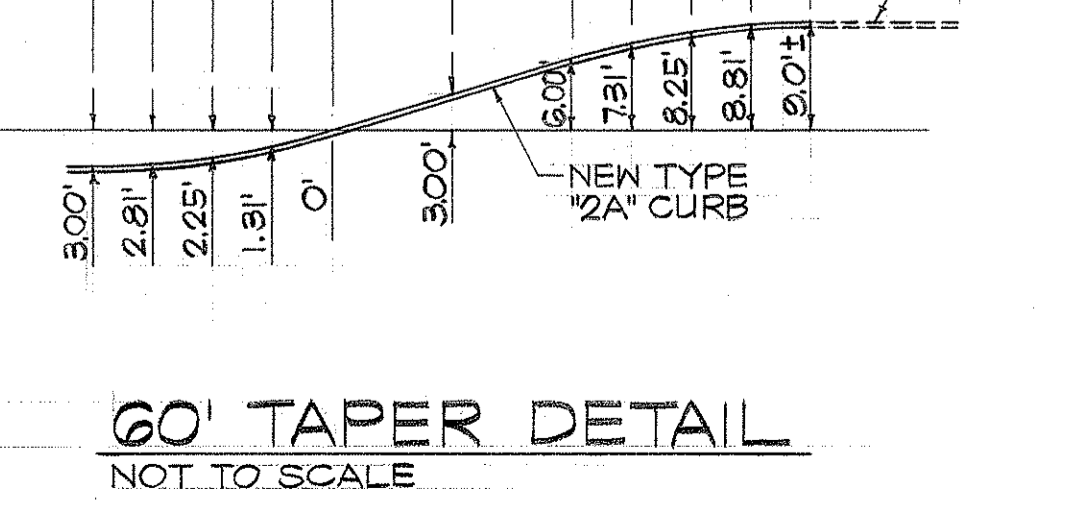
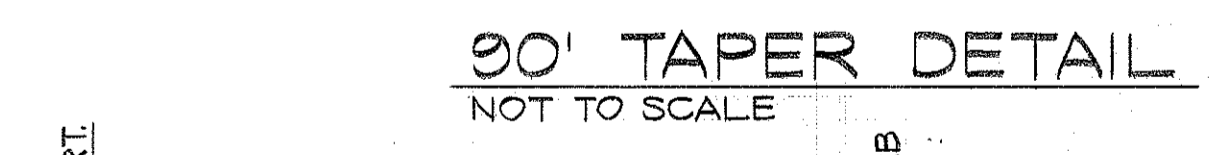


NOTE:
 PAY ITEM FOR AGGREGATE SUBBASE COURSE NOT APPLICABLE IF 12\"/>

- NOTES:**
1. SAW CUT EXISTING A.C. PAVEMENT AND CURB WHERE NEW CONSTRUCTION IS TO ABUT EXISTING, TO PROVIDE CLEAN NEAT APPEARANCE.
 2. CONTRACTOR SHALL NEATLY PATCH ALL AREAS WHERE EXISTING A.C. EDGES ABUTTING NEW WORK ARE BROKEN OR RAVELLING.
 3. USE EXCAVATED MATERIAL FROM EXISTING MEDIAN AREA TO FILL NEW MEDIAN AREAS TO SUBGRADE FOR 4\"/>

LEGEND

	REMOVE EXIST. STRIPING OR CURB
	NEW A.C. PAVEMENT
	EXISTING ELEVATION
	FINISH ELEVATION
	EXISTING RIGHT-OF-WAY



THEODORE S. KAWAHIGAS
 REGISTERED PROFESSIONAL ENGINEER
 No. 3244-E
 HAWAII, U.S.A.
 THIS WORK WAS PREPARED BY ME OR UNDER MY SUPERVISION
Theodore S. Kawahigas
 Signature

STATE OF HAWAII
 DEPARTMENT OF TRANSPORTATION
 HIGHWAYS DIVISION
KANEHOE BAY DRIVE TRAFFIC SIGNALS AT MAKALANI STREET
 PROJECT NO. 6300A-01-79
PLAN - NEW LEFT TURN LANES, STRIPING AND SIGNING
 SCALE: AS SHOWN DATE: 6/21/79
 SHEET NO. 1 OF 1 SHEETS

DATE
SURVEY PLOTTED BY
DRAWN BY
DESIGNED BY
NOTE BOOK NO.
CHECKED BY
NO.

0-5-10