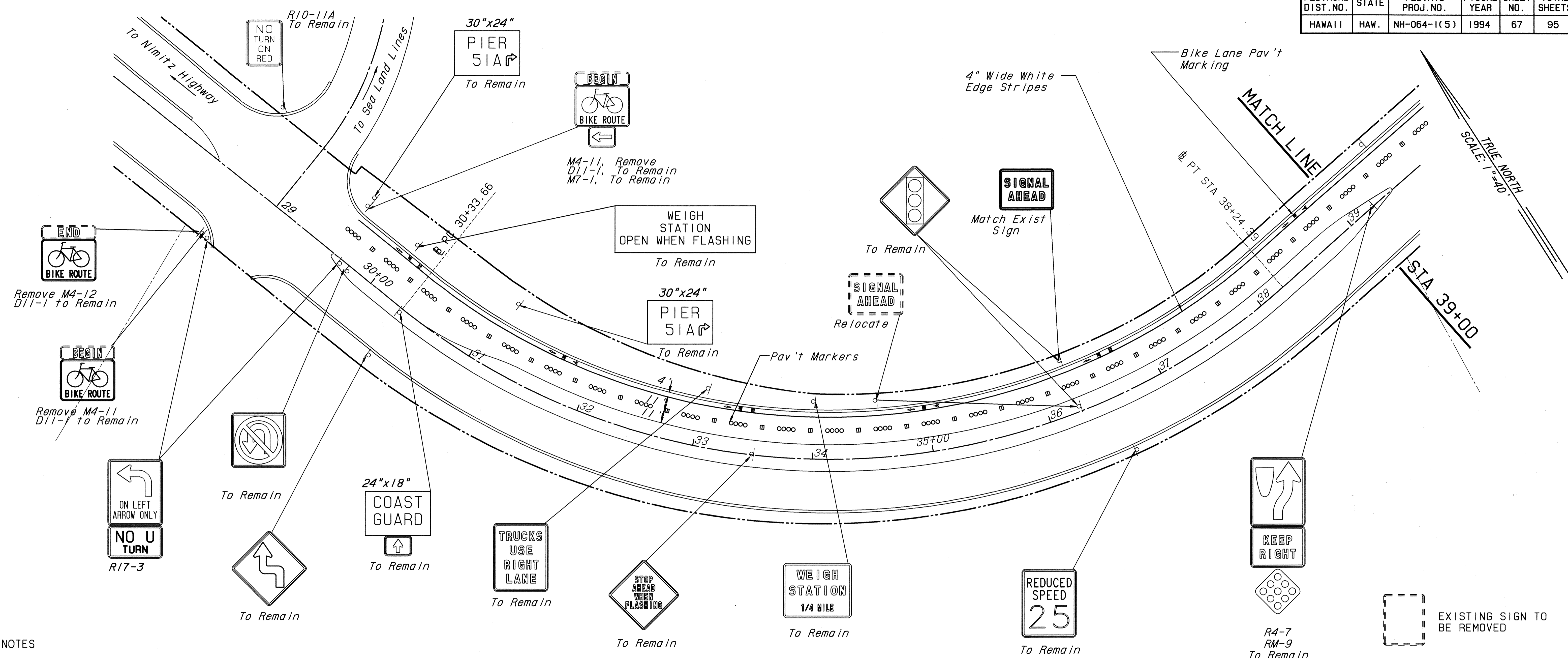


FED. ROAD DIST. NO.	STATE	FED. AID PROJ. NO.	FISCAL YEAR	SHEET NO.	TOTAL SHEETS
HAWAII	HAW.	NH-064-1(5)	1994	67	95



- NOTES
- LAYOUT OF PAVEMENT MARKINGS AND STRIPING SHALL BE DONE BY THE CONTRACTOR AND APPROVED BY THE ENGINEER PRIOR TO ANY INSTALLATION WORK.
 - EXISTING PAVEMENT MARKINGS NOT INCORPORATED IN THE FINAL TRAFFIC PATTERN SHALL BE REMOVED AS DIRECTED BY THE ENGINEER. COSTS SHALL BE INCIDENTAL TO THE VARIOUS PAVEMENT MARKING ITEMS.
 - RAISED PAVEMENT MARKERS SHALL NOT BE INSTALLED WITHIN CROSSWALKS.
 - FINAL LOCATIONS OF ALL SIGNS SHALL BE APPROVED BY THE ENGINEER PRIOR TO ANY INSTALLATION WORK.
 - EXISTING SIGNS NOT SHOWN ON THESE PLANS SHALL REMAIN AS POSTED UNLESS OTHERWISE DIRECTED BY THE ENGINEER. REMOVAL AND DISPOSAL OF EXISTING SIGNS AND/OR POSTS AS DESIGNATED ON THESE PLANS SHALL BE INCIDENTAL TO THE VARIOUS SIGNING ITEMS.
 - FINAL LOCATIONS OF ALL STOP LINES SHALL BE APPROVED BY THE ENGINEER PRIOR TO INSTALLATION.
 - ALL PAVEMENT STRIPING SHALL BE AS NOTED ON THE LEGEND OR PLANS.
 - ALL PERFORMED PAVEMENT MARKING TAPES OVER EXISTING PAVEMENT SHALL BE APPLIED WITH AN APPROVED PRIMER AS RECOMMENDED BY THE TAPE MANUFACTURER AND AS APPROVED BY THE ENGINEER. THE PRIMER SHALL BE ALLOWED TO DRY TO THE TACKY STAGE PRIOR TO TAPE APPLICATION.

PAVEMENT MARKING AND TRAFFIC SIGNING PLAN

SCALE: 1"=40'
(OWNER - DOT HIGHWAYS)

PAVEMENT MARKERS		PAVEMENT STRIPING	
○ Type A	8" White Stripe w/ Type C Raised Pav't Markers @ 20' o.c.		Channelizing Island
▣ Type C	4" Double Solid Yellow w/ Type D Raised Pav't Markers @ 20' o.c.		Crosswalk and Stop Line. All Stop Lines Shall be 10' from Crosswalk unless otherwise noted.
□ Type D	4" White Guide Lines		Pavement Arrow
■ Type H	Traverse Median Marking		
• Type J	Pavement Markers		

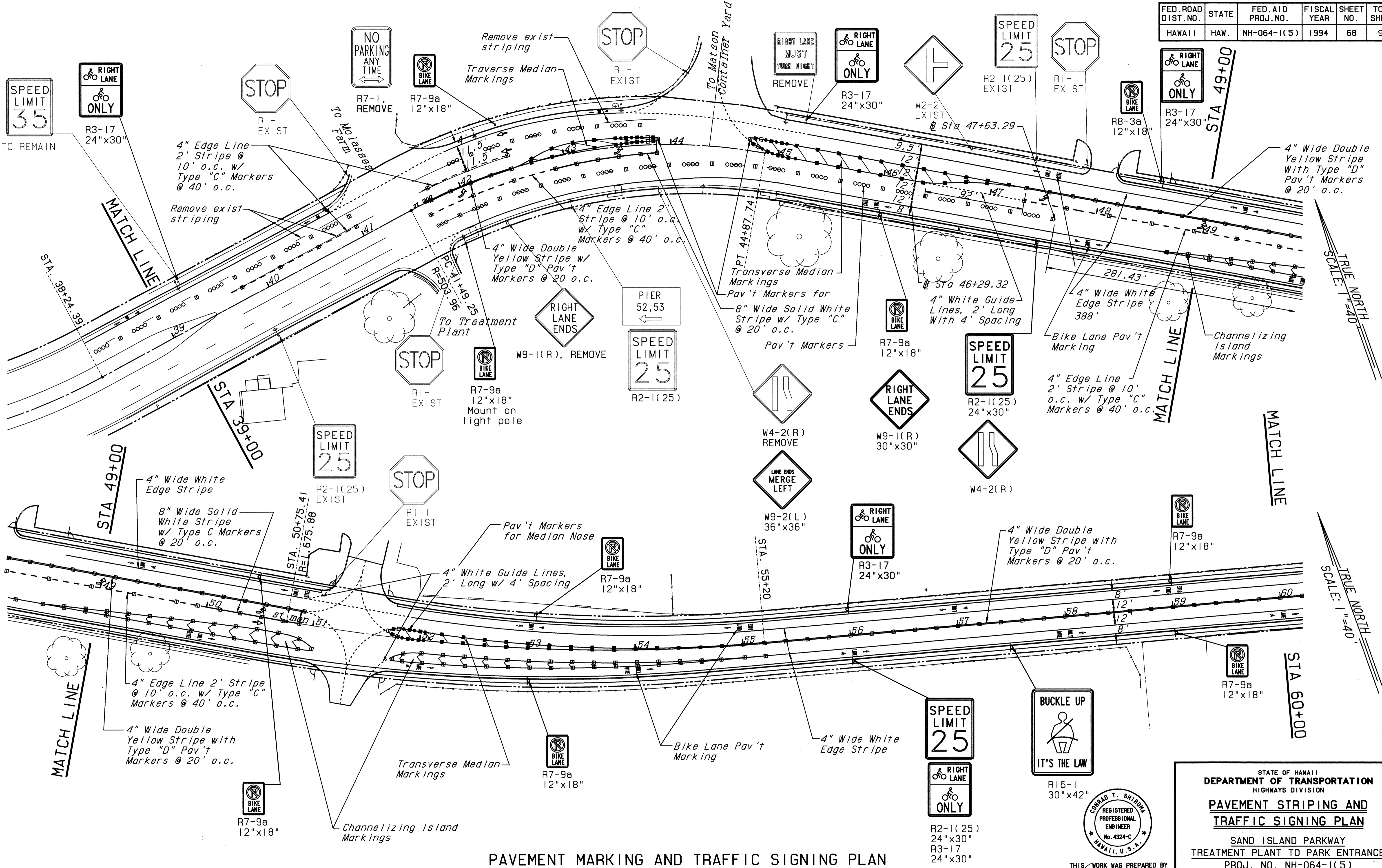
THIS WORK WAS PREPARED BY ME OR UNDER MY SUPERVISION.

 CALVIN KIM & ASSOC., INC.

STATE OF HAWAII
 DEPARTMENT OF TRANSPORTATION
 HIGHWAYS DIVISION
PAVEMENT MARKING AND TRAFFIC SIGNING PLAN
 SAND ISLAND PARKWAY
 TREATMENT PLANT TO PARK ENTRANCE
 PROJ. NO. NH-064-1(5)
 SCALE: 1" = 40' DATE: SEPT 1993
SHEET No.110OF 14 SHEETS

DATE: _____
 ORIGINAL DRAWING PLOTTED BY: _____
 REVISIONS: _____
 DESIGNED BY: _____
 CHECKED BY: _____
 QUANTITIES BY: _____
 NO. _____

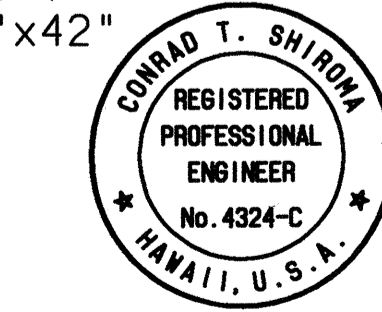
FED. ROAD DIST. NO.	STATE	FED. AID PROJ. NO.	FISCAL YEAR	SHEET NO.	TOTAL SHEETS
HAWAII	HAW.	NH-064-1(5)	1994	68	95



SURVEY PLOTTED BY	DATE
DESIGNED BY	
QUANTITIES BY	
CHECKED BY	
ORIGINAL PLAN	
NO. _____	

PAVEMENT MARKING AND TRAFFIC SIGNING PLAN

SCALE: 1"=40'
(OWNER - DOT HIGHWAYS)



THIS WORK WAS PREPARED BY ME OR UNDER MY SUPERVISION.
CALVIN KIM & ASSOC., INC.

STATE OF HAWAII
DEPARTMENT OF TRANSPORTATION
HIGHWAYS DIVISION

PAVEMENT STRIPING AND TRAFFIC SIGNING PLAN

SAND ISLAND PARKWAY
TREATMENT PLANT TO PARK ENTRANCE
PROJ. NO. NH-064-1(5)

SCALE: 1" = 40' DATE: SEPT 1993

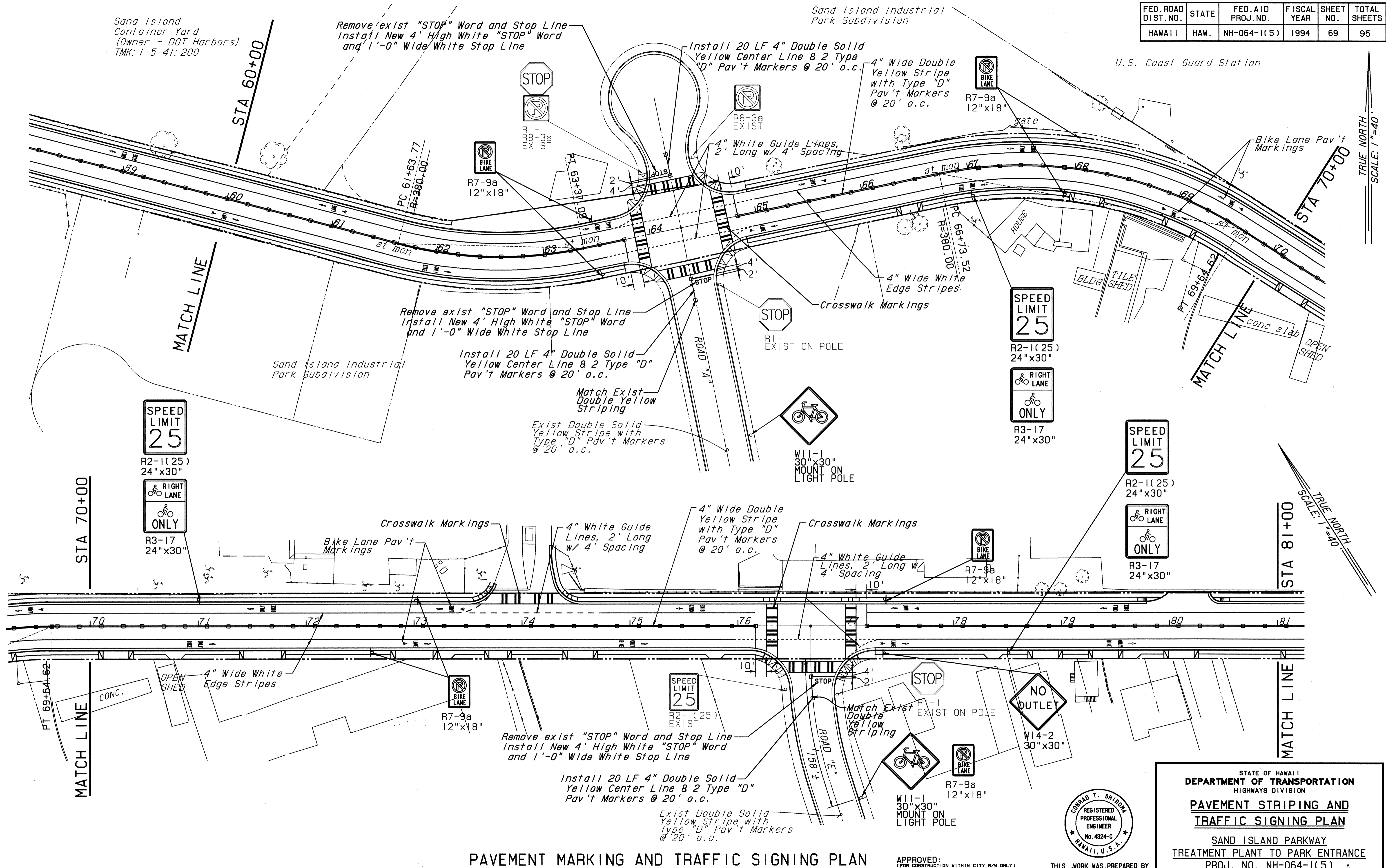
SHEET No. 11 OF 14 SHEETS

FED. ROAD DIST. NO.	STATE	FED. AID PROJ. NO.	FISCAL YEAR	SHEET NO.	TOTAL SHEETS
HAWAII	HAW.	NH-064-1(5)	1994	69	95

Sand Island Container Yard
 (Owner - DOT Harbors)
 TMK: 1-5-41:200

Sand Island Industrial Park Subdivision

U.S. Coast Guard Station



DATE: _____
 CHECKED BY: _____
 DESIGNED BY: _____
 DRAWN BY: _____
 SURVEY PLOTTED BY: _____

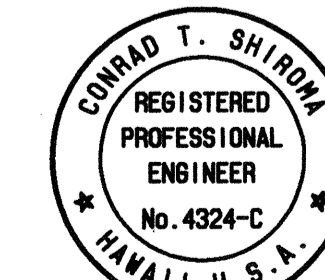
PAVEMENT MARKING AND TRAFFIC SIGNING PLAN

SCALE: 1"=40'
 (OWNER - DOT HIGHWAYS)

APPROVED:
 (FOR CONSTRUCTION WITHIN CITY R/W ONLY)

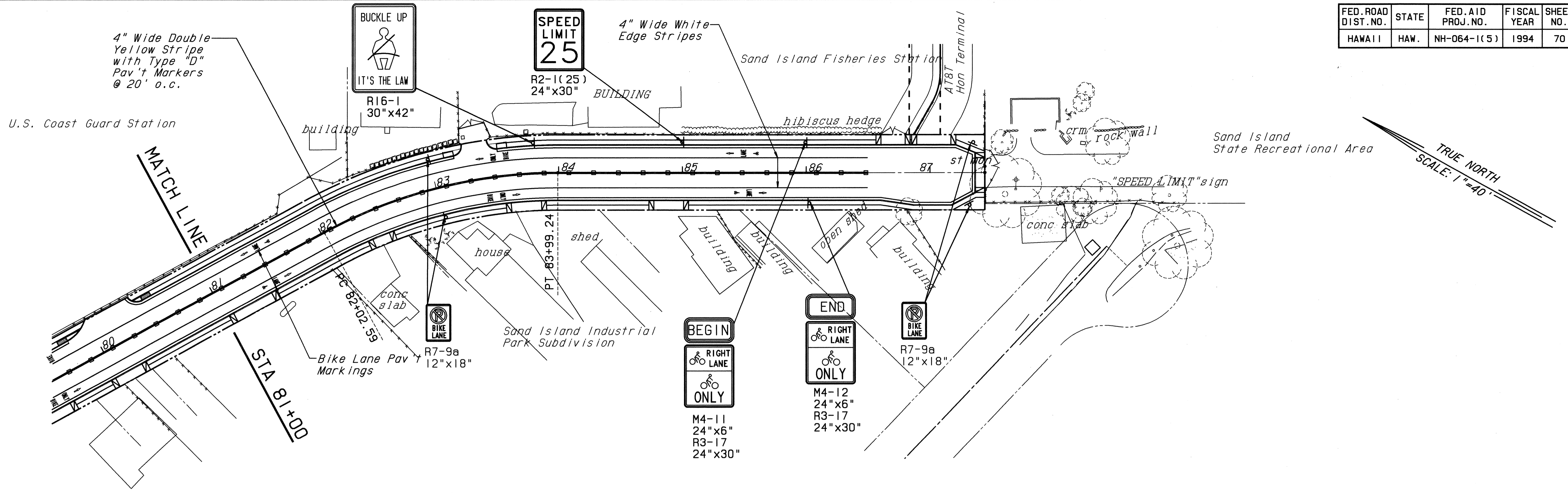
M. Coates 8/5/93
 CHIEF, TRAFFIC ENGINEERING DIVISION
 DEPARTMENT OF TRANSPORTATION SERVICES
 CITY & COUNTY OF HONOLULU

THIS WORK WAS PREPARED BY ME OR UNDER MY SUPERVISION.
 CALVIN KIM & ASSOC., INC.



STATE OF HAWAII
 DEPARTMENT OF TRANSPORTATION
 HIGHWAYS DIVISION
PAVEMENT STRIPING AND TRAFFIC SIGNING PLAN
 SAND ISLAND PARKWAY
 TREATMENT PLANT TO PARK ENTRANCE
 PROJ. NO. NH-064-1(5)
 SCALE: 1" = 40' DATE: SEPT 1993
SHEET No. 112 OF 14 SHEETS

FED. ROAD DIST. NO.	STATE	FED. AID PROJ. NO.	FISCAL YEAR	SHEET NO.	TOTAL SHEETS
HAWAII	HAW.	NH-064-1(5)	1994	70	95



ORIGINAL PLAN	DATE
NO.	
SURVEY PLOTTED BY	
TRACED BY	
DESIGNED BY	
QUANTITIES BY	
CHECKED BY	

PAVEMENT MARKING AND TRAFFIC SIGNING PLAN

SCALE: 1"=40'
(OWNER - DOT HIGHWAYS)



THIS WORK WAS PREPARED BY ME OR UNDER MY SUPERVISION.
Calvin Kim
CALVIN KIM & ASSOC., INC.

STATE OF HAWAII
DEPARTMENT OF TRANSPORTATION
HIGHWAYS DIVISION

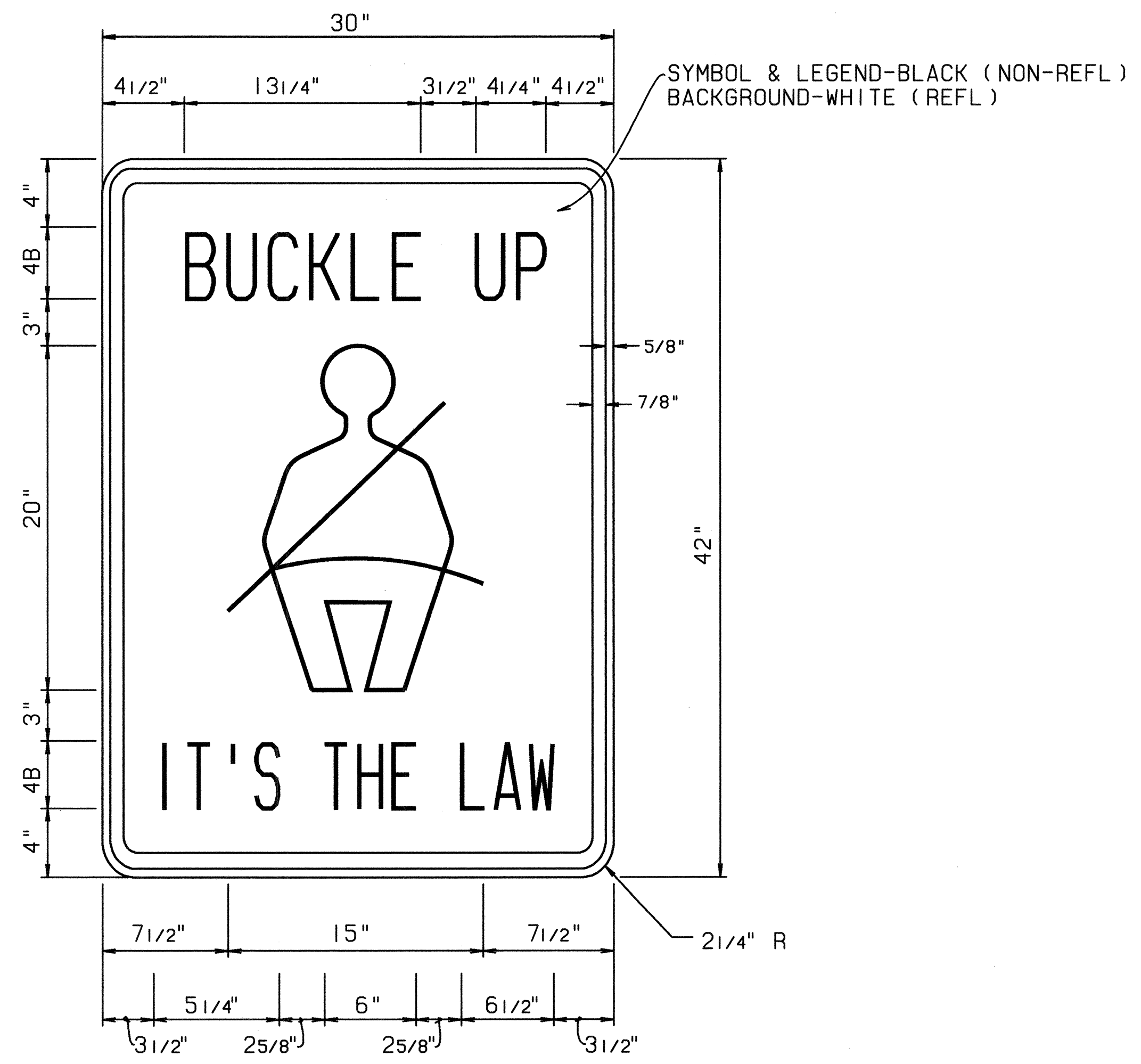
PAVEMENT STRIPING AND TRAFFIC SIGNING PLAN

SAND ISLAND PARKWAY
TREATMENT PLANT TO PARK ENTRANCE
PROJ. NO. NH-064-1(5)

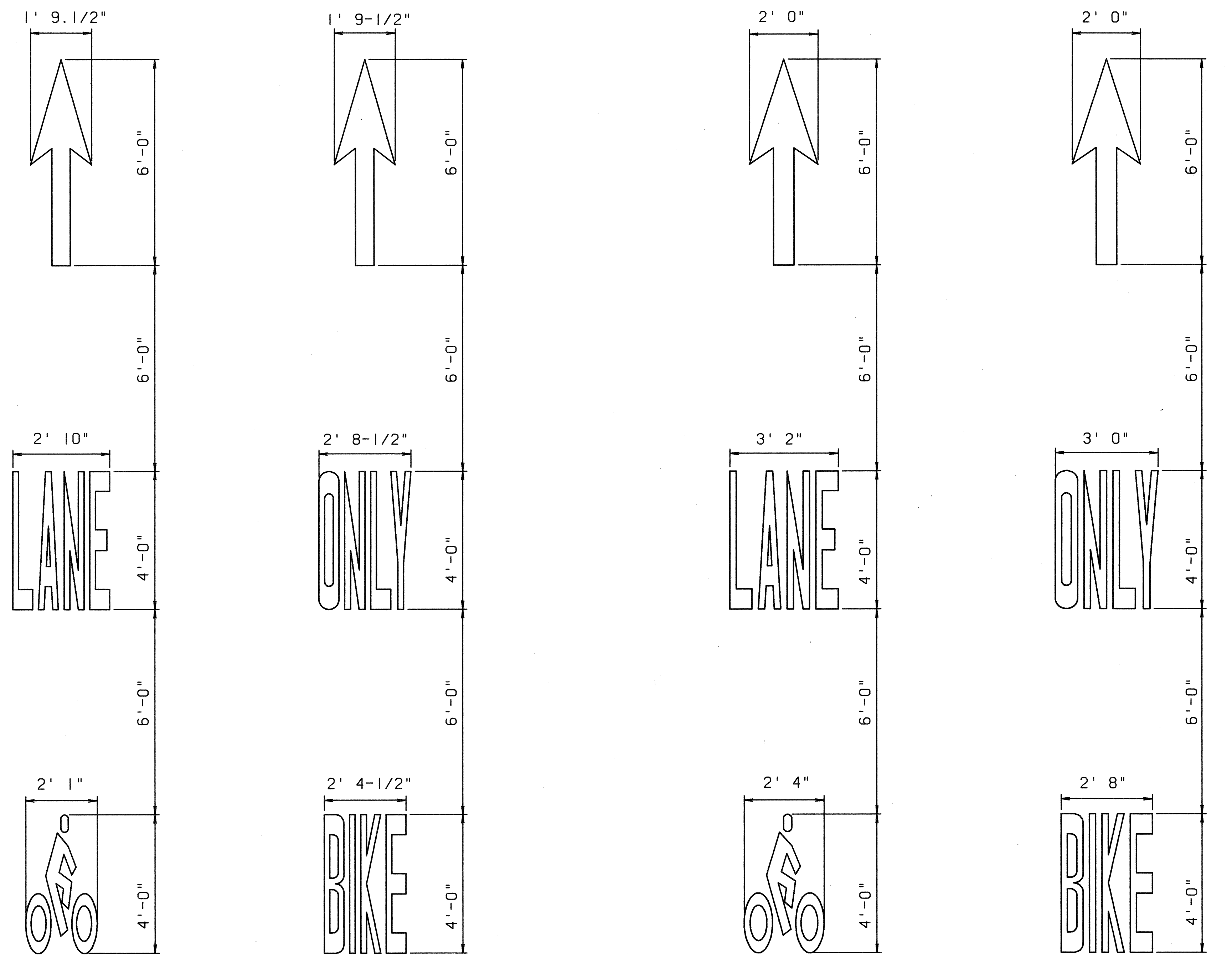
SCALE: 1" = 40' DATE: SEPT 1993

SHEET No. 70 OF 14 SHEETS

FED. ROAD DIST. NO.	STATE	FED. AID PROJ. NO.	FISCAL YEAR	SHEET NO.	TOTAL SHEETS
HAWAII	HAW.	NH-064-1(5)	1994	71	95

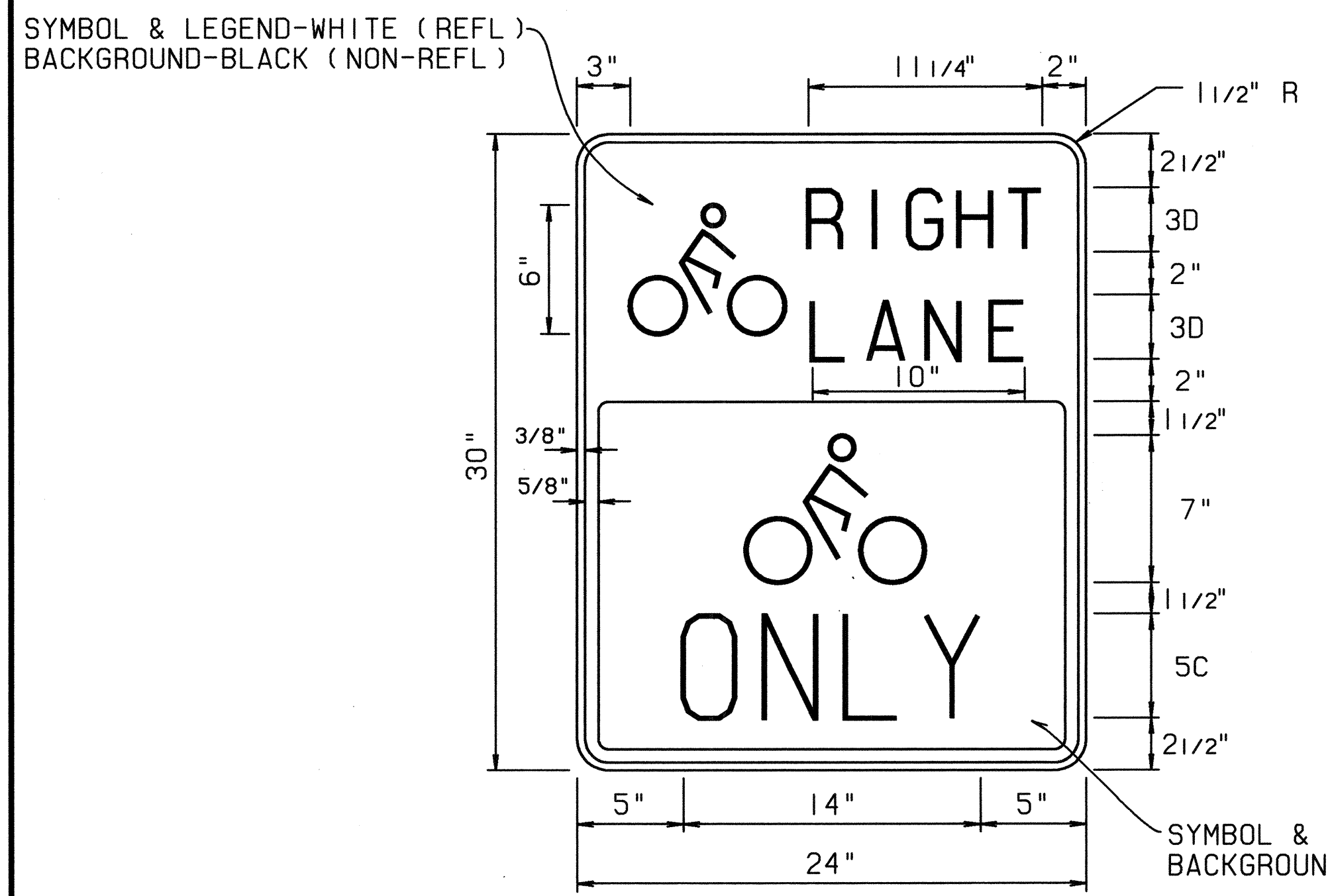


R16-1 SIGN
SCALE: 2" = 1'-0"



BIKE LANE PAVMENT MARKINGS
FOR 4'-0" BIKE LANE
SCALE: 1/2" = 1'-0"

BIKE LANE PAVMENT MARKINGS
FOR 8'-0" BIKE LANE
SCALE: 1/2" = 1'-0"



R3-17 SIGN
SCALE: 2" = 1'-0"

ORIGINAL PLAN	DATE
SURVEY PLOTTED BY	
TRACED BY	
DESIGNED BY	
QUANTITIES BY	
CHECKED BY	
No.	

CONRAD T. SHIRUMA
REGISTERED PROFESSIONAL ENGINEER
No. 4324-C
HAWAII, U.S.A.

THIS WORK WAS PREPARED BY ME OR UNDER MY SUPERVISION.
Calvin Kim
CALVIN KIM & ASSOC., INC.

STATE OF HAWAII
DEPARTMENT OF TRANSPORTATION
HIGHWAYS DIVISION
PAVEMENT MARKING AND SIGN
DETAIL
SAND ISLAND PARKWAY
TREATMENT PLANT TO PARK ENTRANCE
PROJ. NO. NH-064-1(5)
SCALE: AS NOTED DATE: SEPT 1993
SHEET No. 71 OF 14 SHEETS