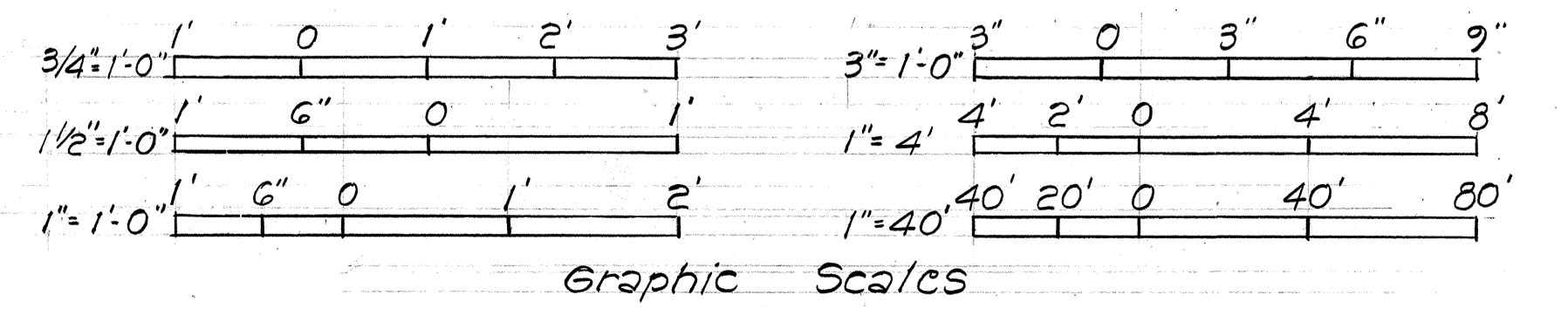


Drain Pipe Size	Payment Width of Trenching
18"	36"
24"	48"
30"	56"
36"	64"
42"	72"
48"	80"
54"	88"
60"	96"

PAVEMENT TRENCH WIDTH FOR DRAIN PIPES



R. M. TOWILL CORPORATION
ENGINEERS - SURVEYORS
HONOLULU, HAWAII

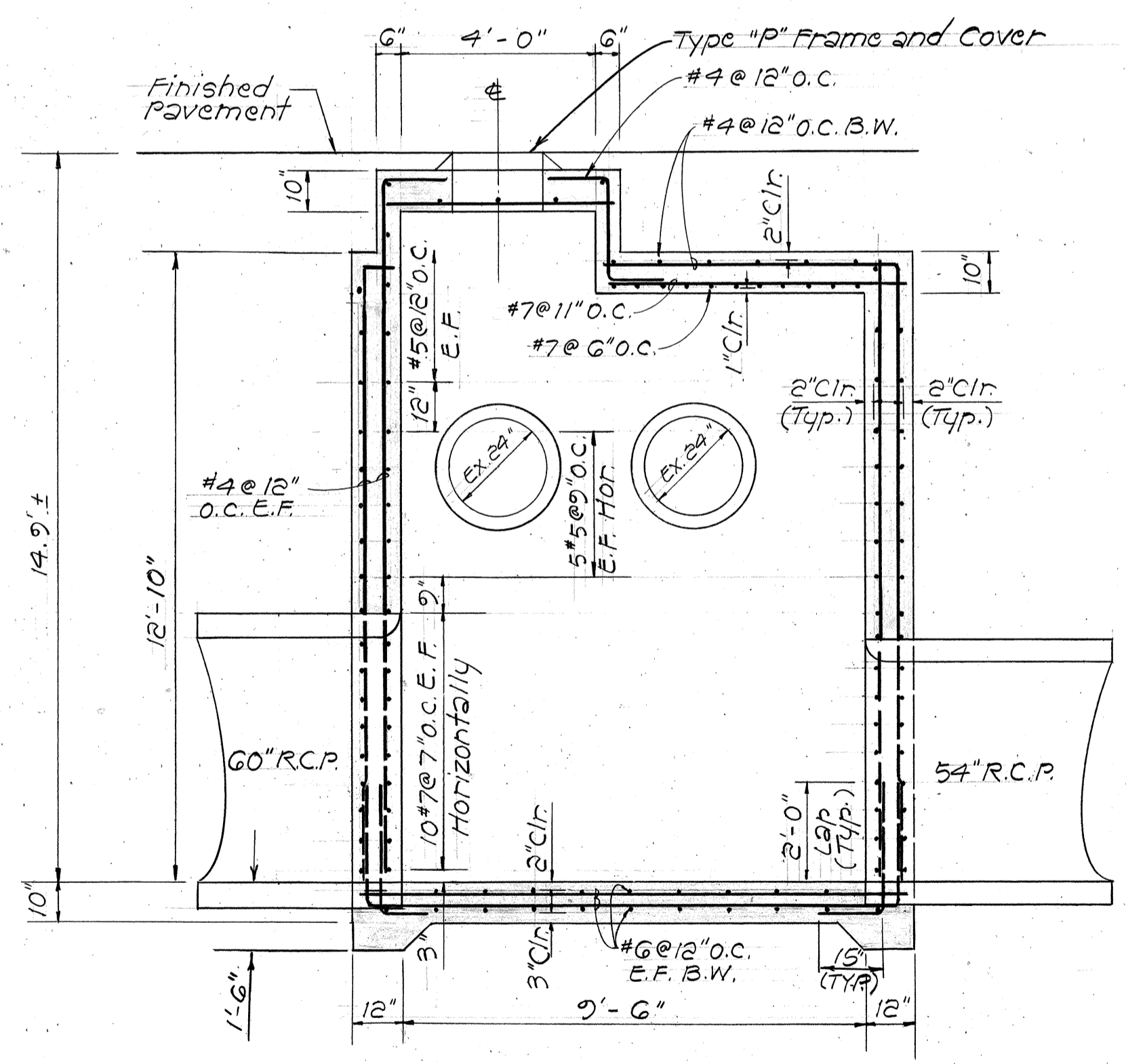
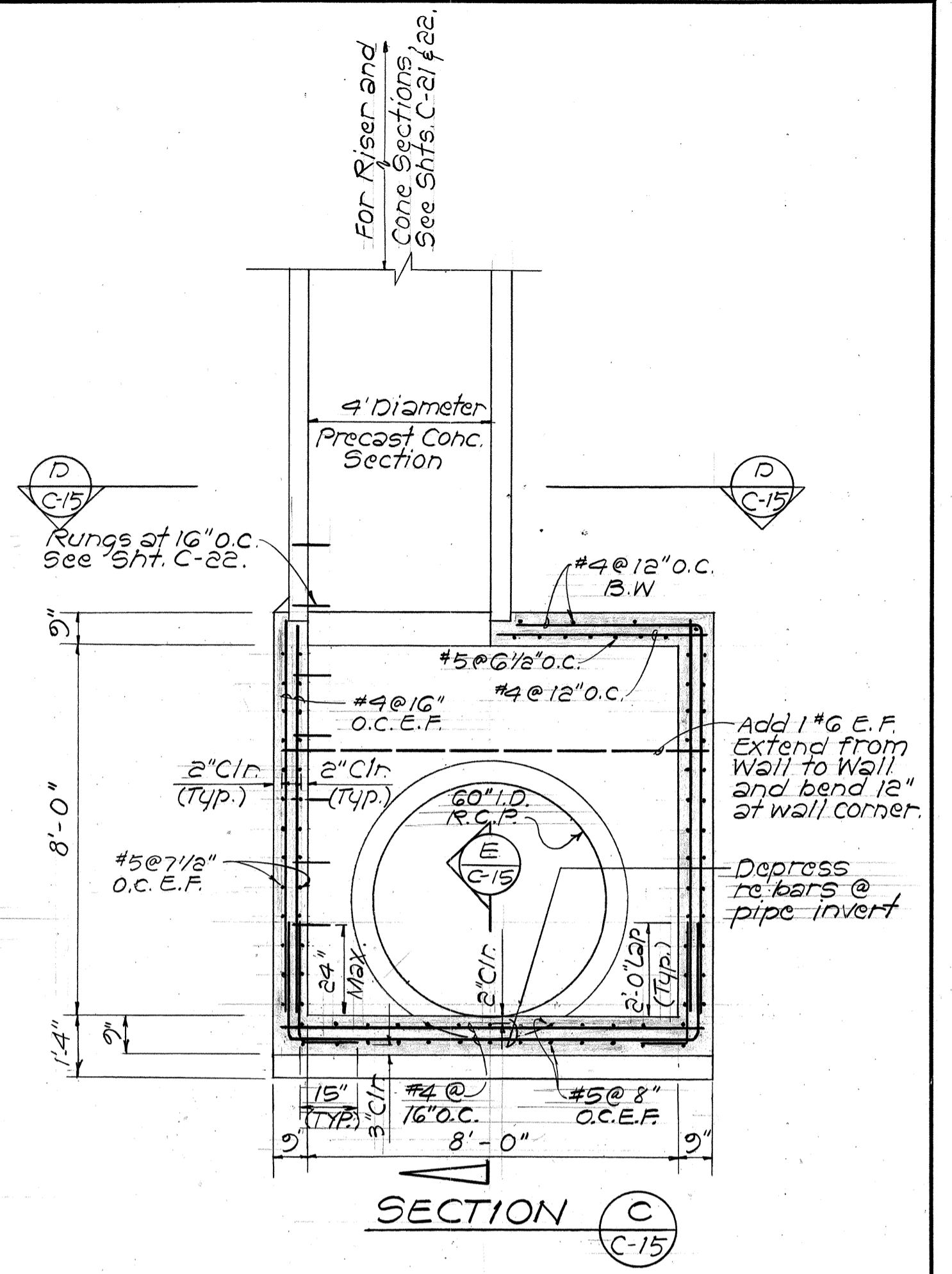
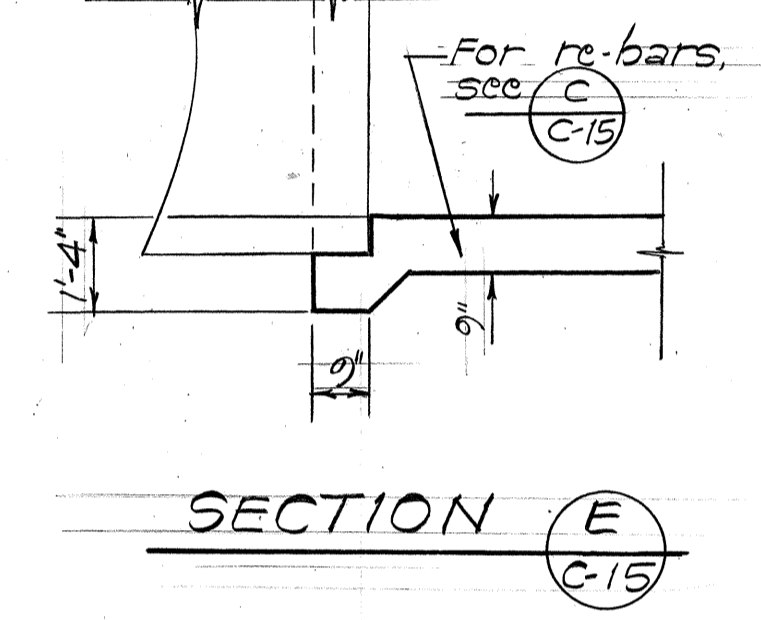
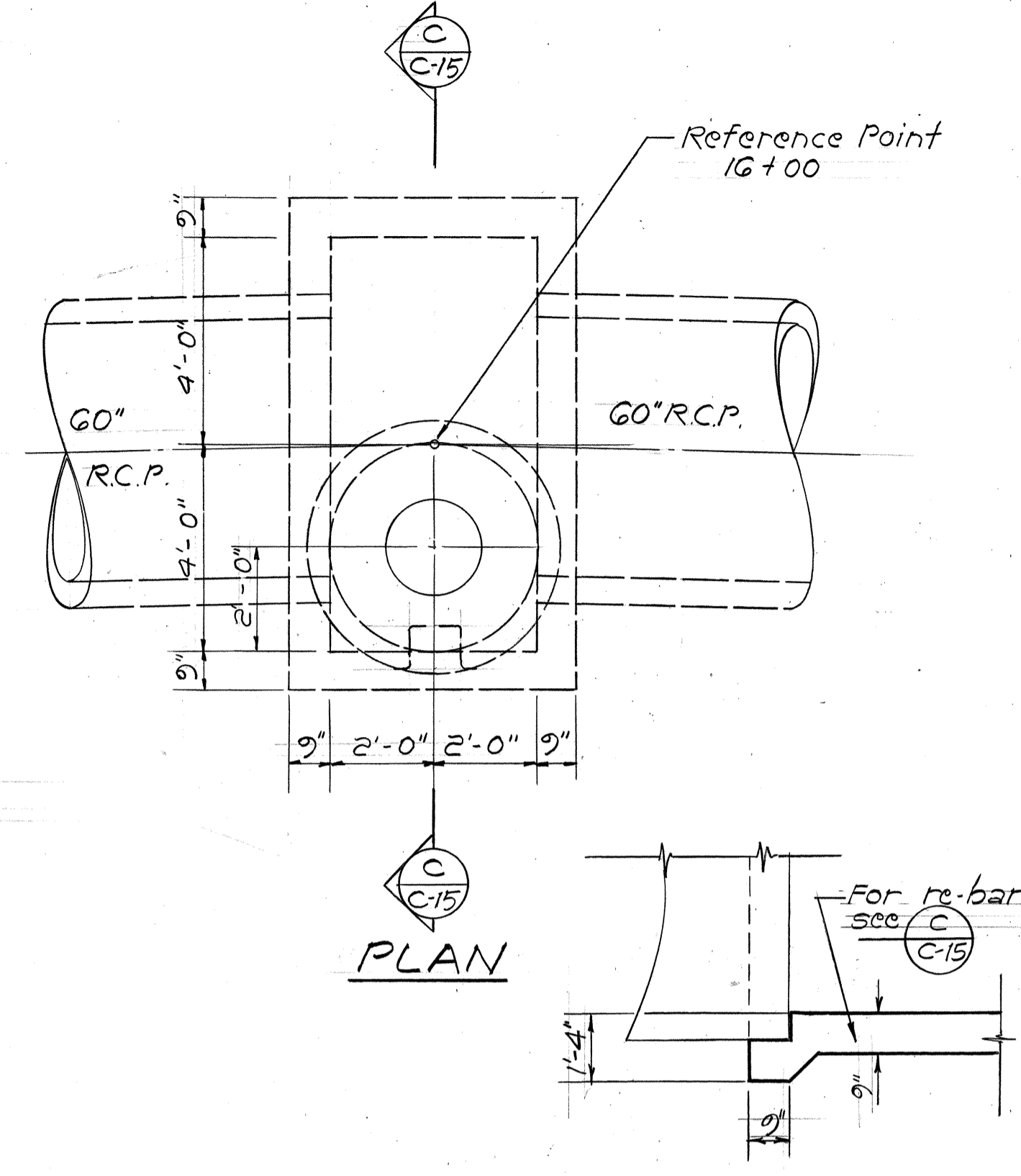
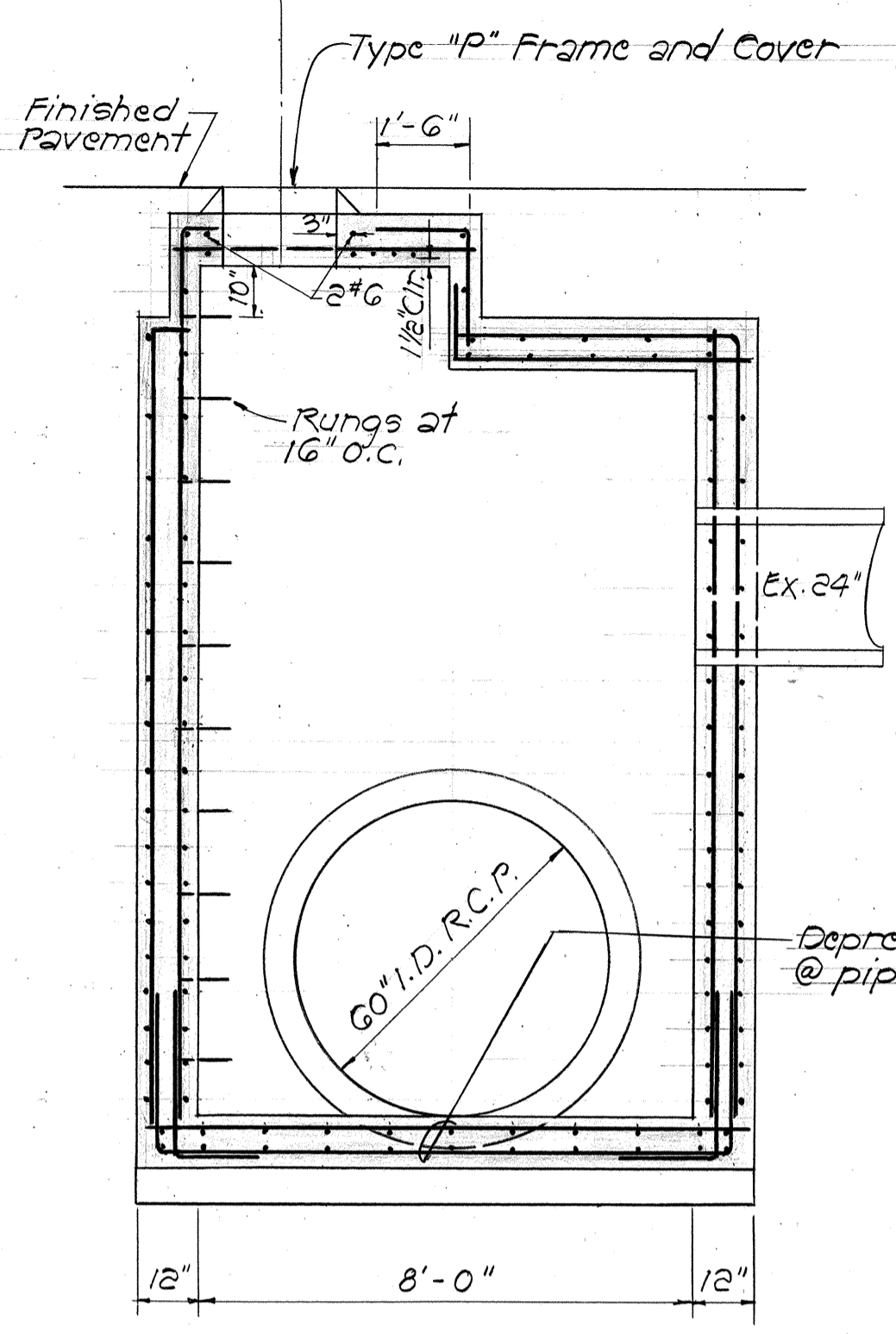
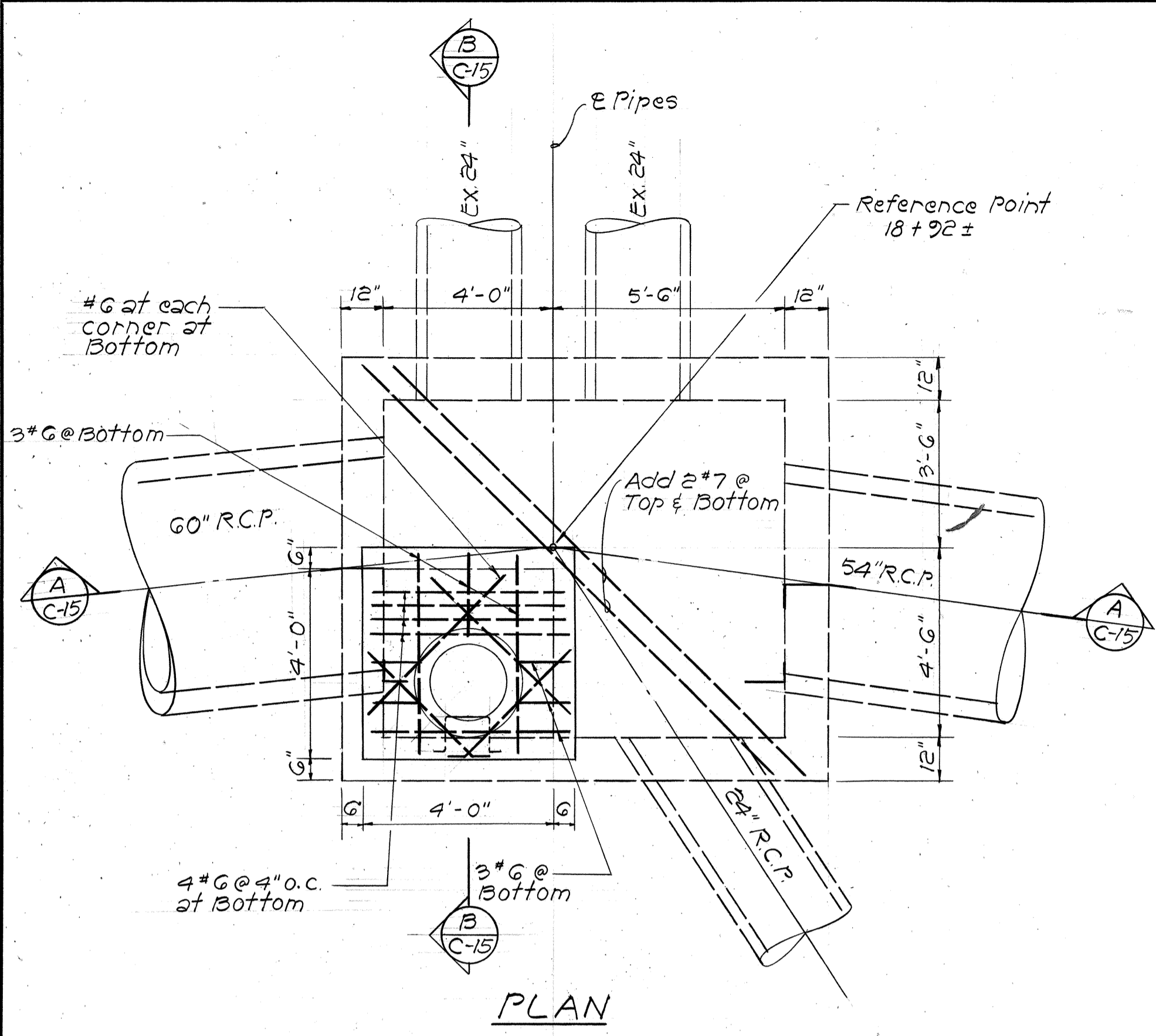
DESIGNED: G.K.
DRAWN: R.S.
CHECKED:
APPROVED: *Robert H. Cluck*
DATE: 4/17/75

STANLEY T. YAMAMOTO
REGISTERED PROFESSIONAL ENGINEER
No. 1470-E
HAWAII, U.S.A.

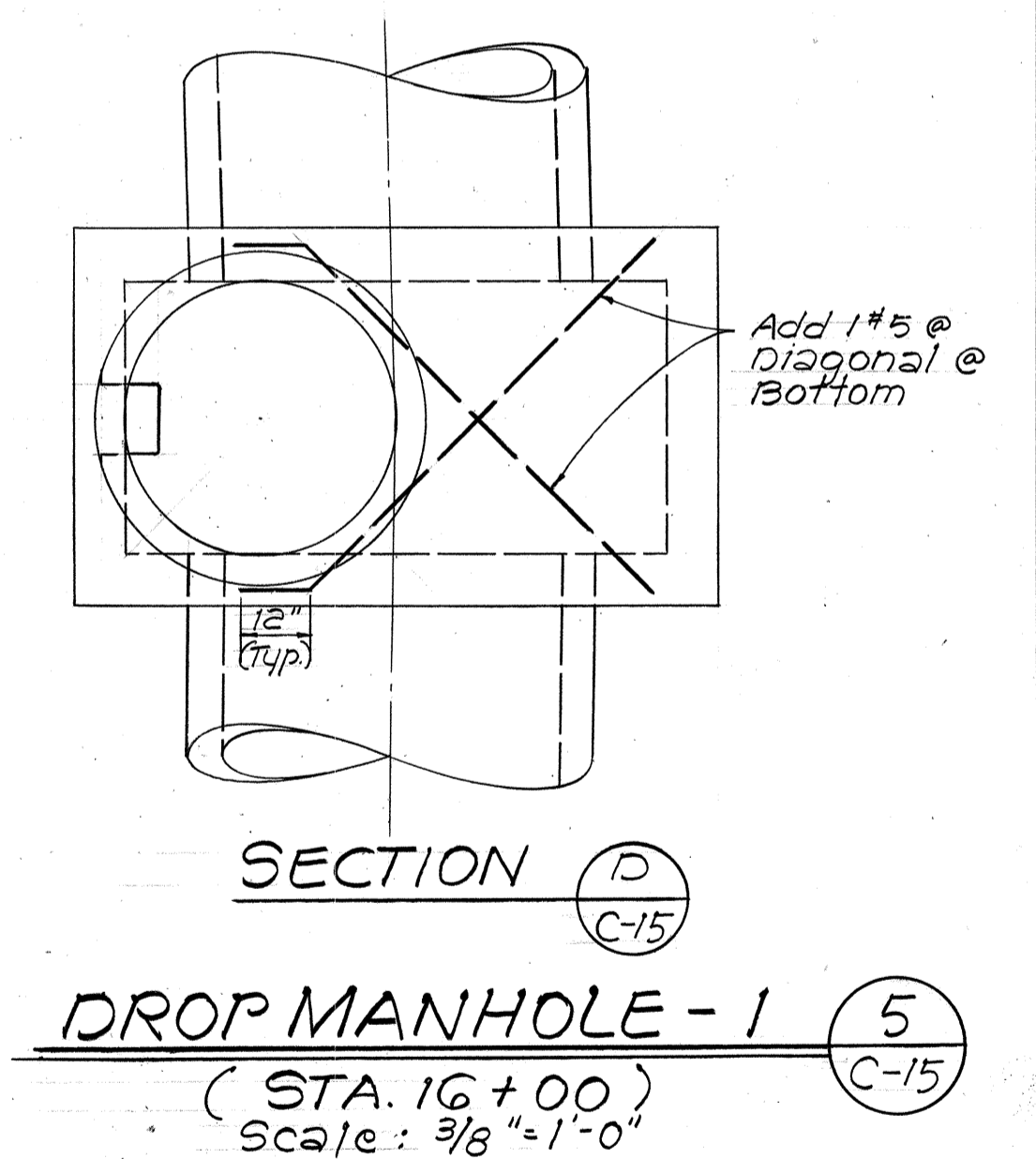
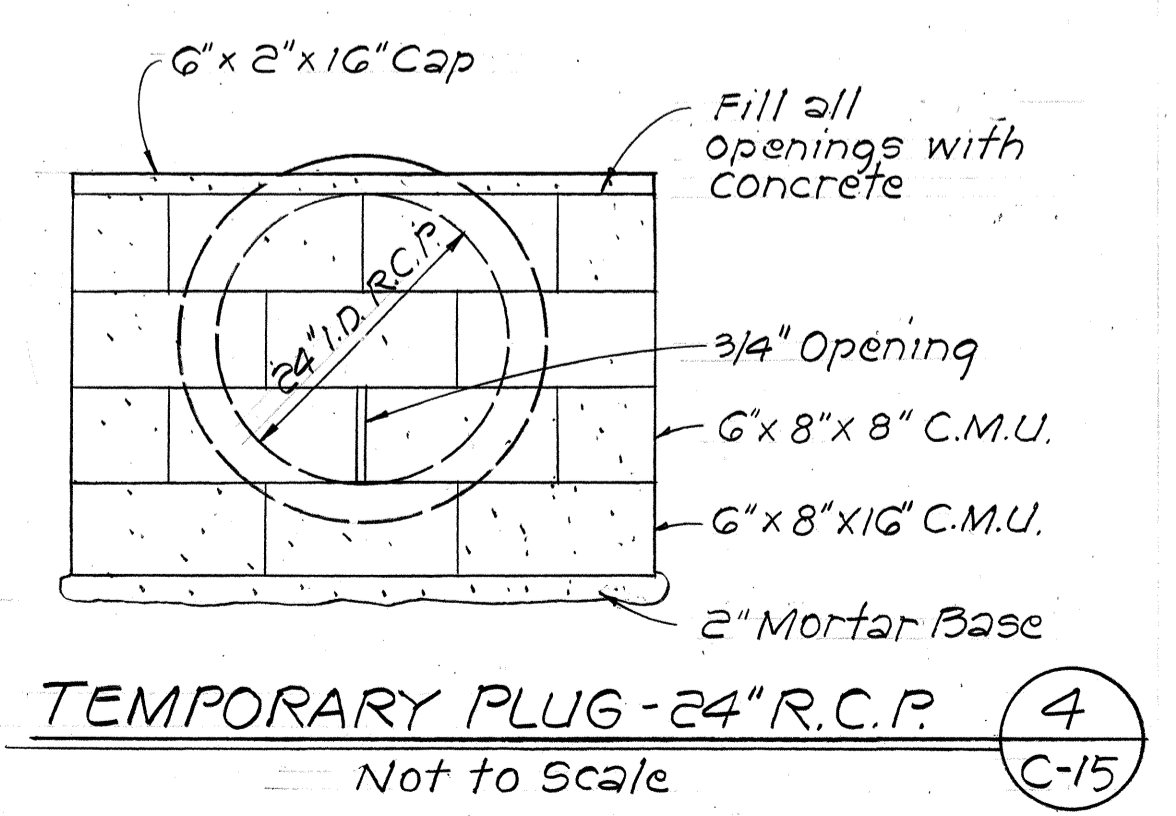
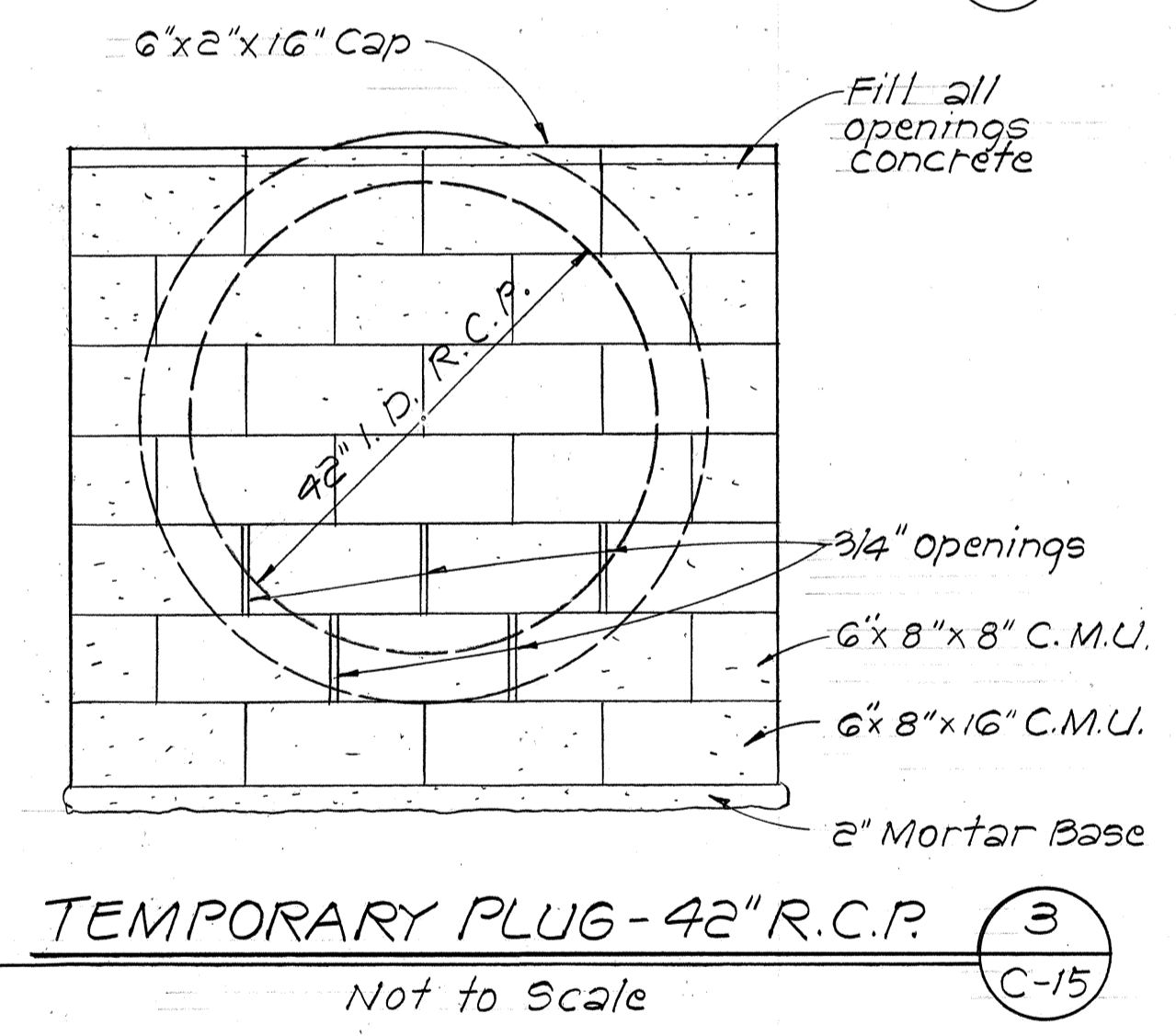
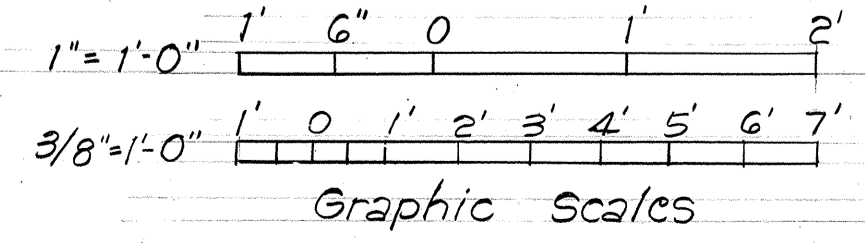
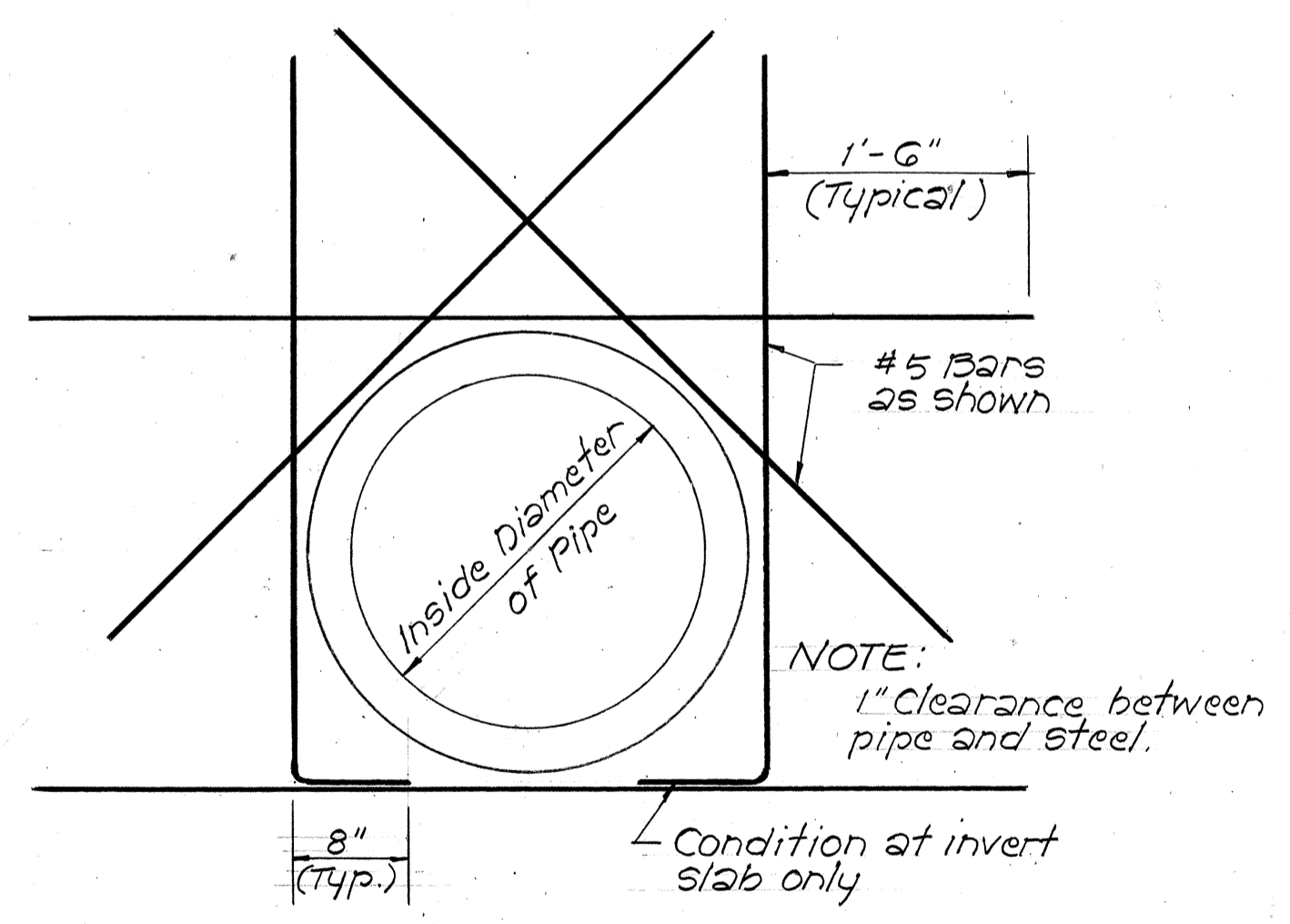
STATE OF HAWAII
DIVISION OF WATER AND LAND DEVELOPMENT
DEPARTMENT OF LAND AND NATURAL RESOURCES
SAND ISLAND PARKWAY - INCREMENT I
SAND ISLAND, OAHU, HAWAII
DRAIN DETAILS

CHIEF DESIGN & CONSTR. ENGINEER

MANAGER-ENGINEER



DROP MANHOLE - 2
(STA. 18 + 92 ± 0/3 35 ±)
Scale: 3/8" = 1'-0"



R. M. TOWILL CORPORATION ENGINEERS - SURVEYORS HONOLULU, HAWAII		SYM	DESCRIPTION	DATE	APP'D
REVISIONS					
STATE OF HAWAII					
DIVISION OF WATER AND LAND DEVELOPMENT					
DEPARTMENT OF LAND AND NATURAL RESOURCES					
SAND ISLAND PARKWAY - INCREMENT I					
SAND ISLAND, OAHU, HAWAII					
DRAIN DETAILS					
DESIGNED: HYP, GK		SUBMITTED: <i>John Finis</i>			
DRAWN: R.S.		DATE: 2/1/95			
CHECKED:		APPROVED: <i>Robert H. Chudek</i>			
APPROVED:		FILE NO.			
DATE: 4/7/14		DATE:			