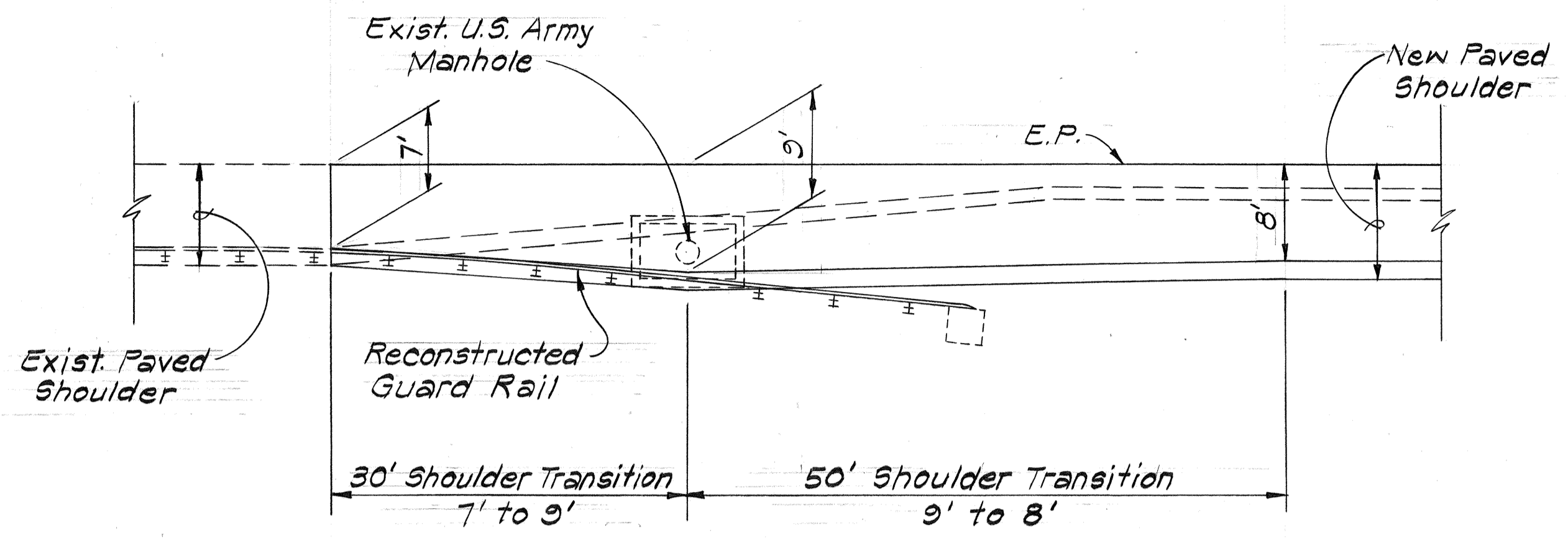
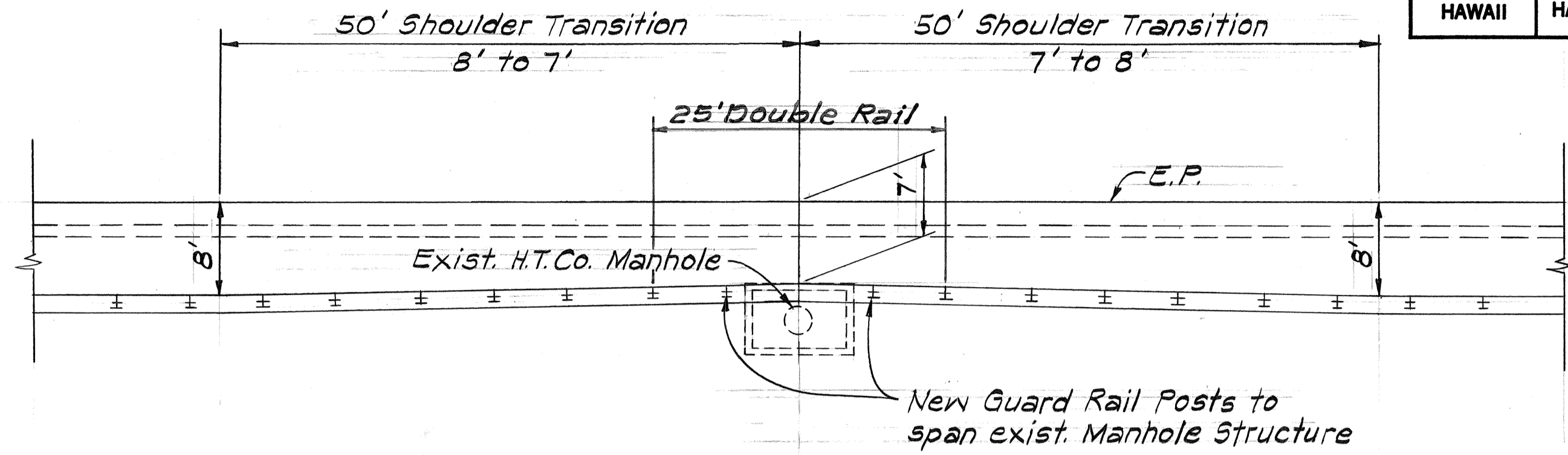


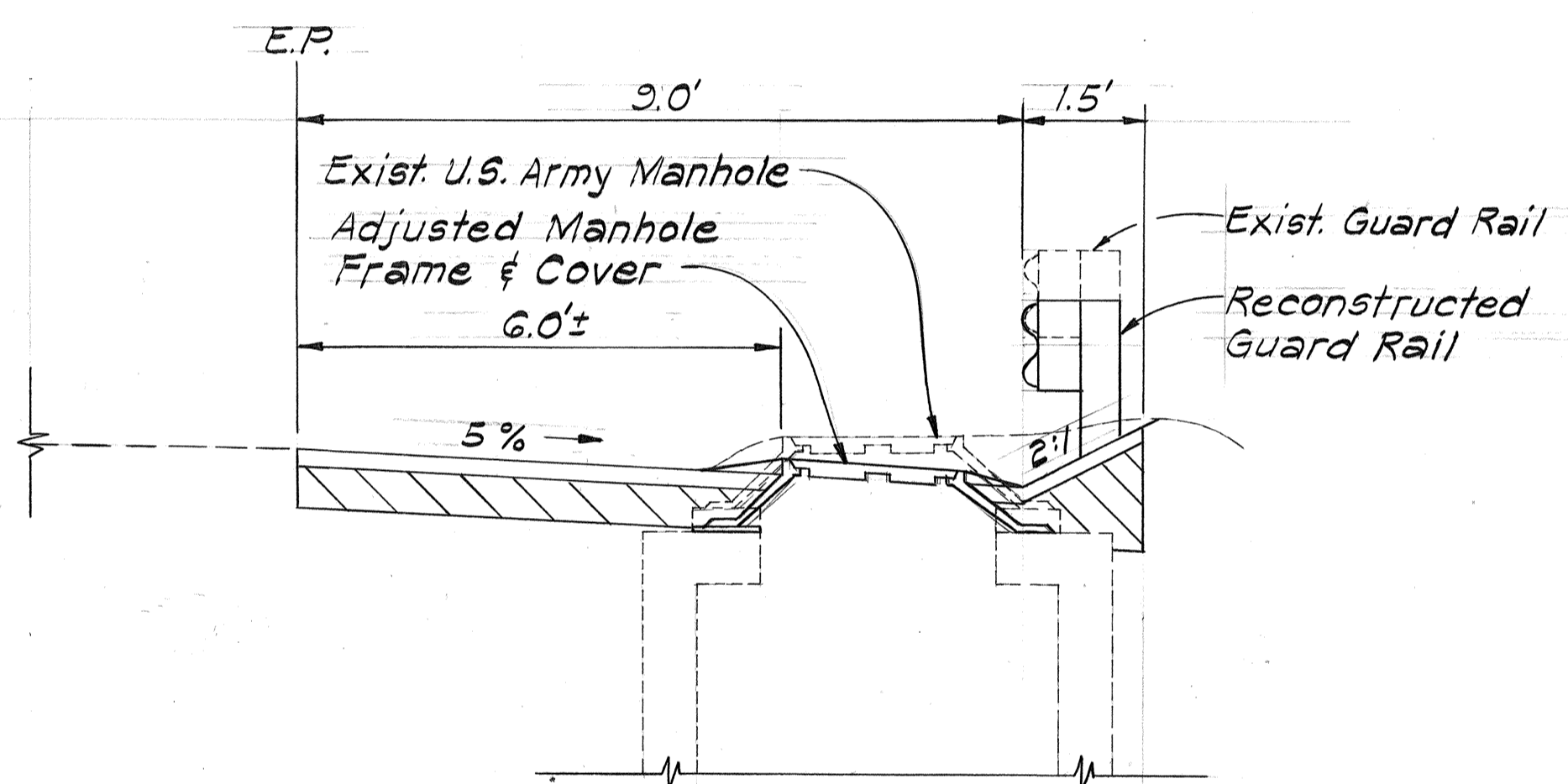
FED. ROAD DIST. NO.	STATE	PROJ. NO.	FISCAL YEAR	SHEET NO.	TOTAL SHEETS
HAWAII	HAW.	G3A-01-82	1982	6	22



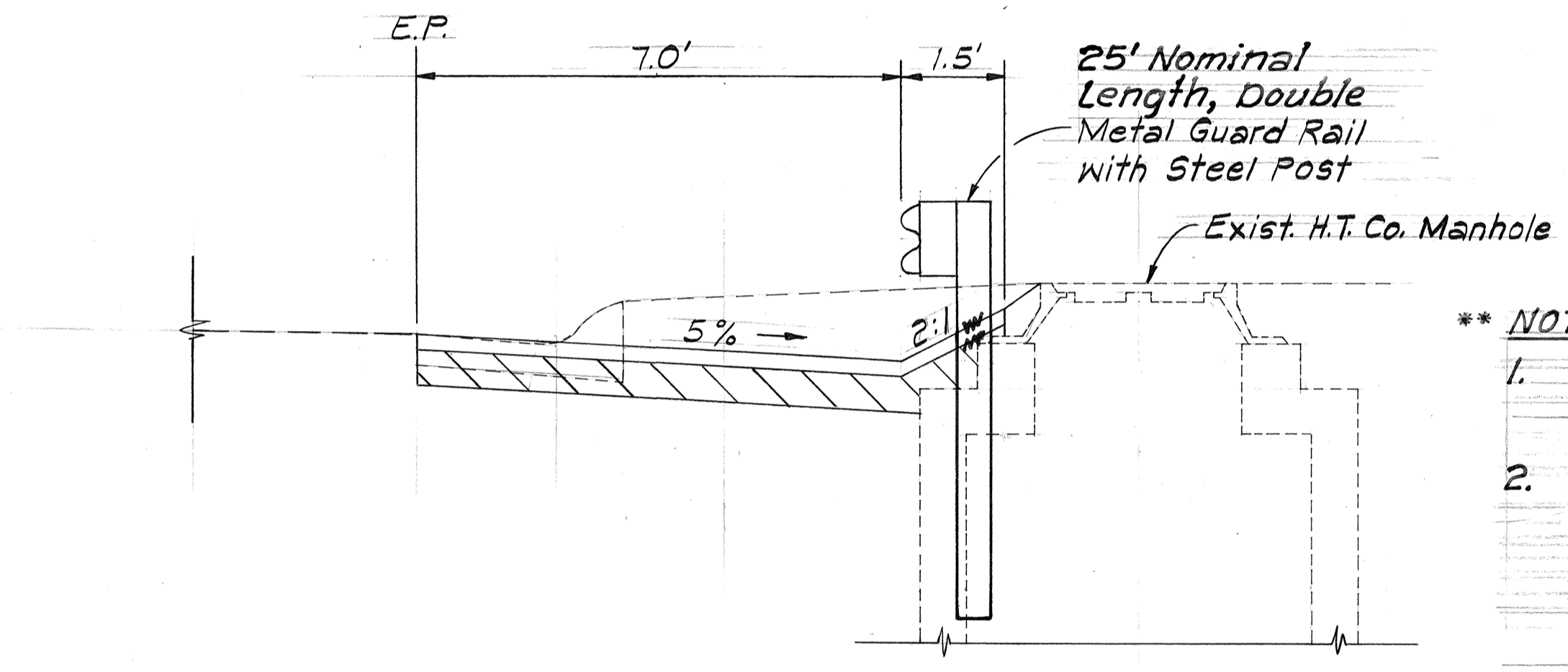
PLAN
Scale: 1" = 10'



PLAN
STA. 172+00± AND # STA. 221+60±
Scale: 1" = 10'

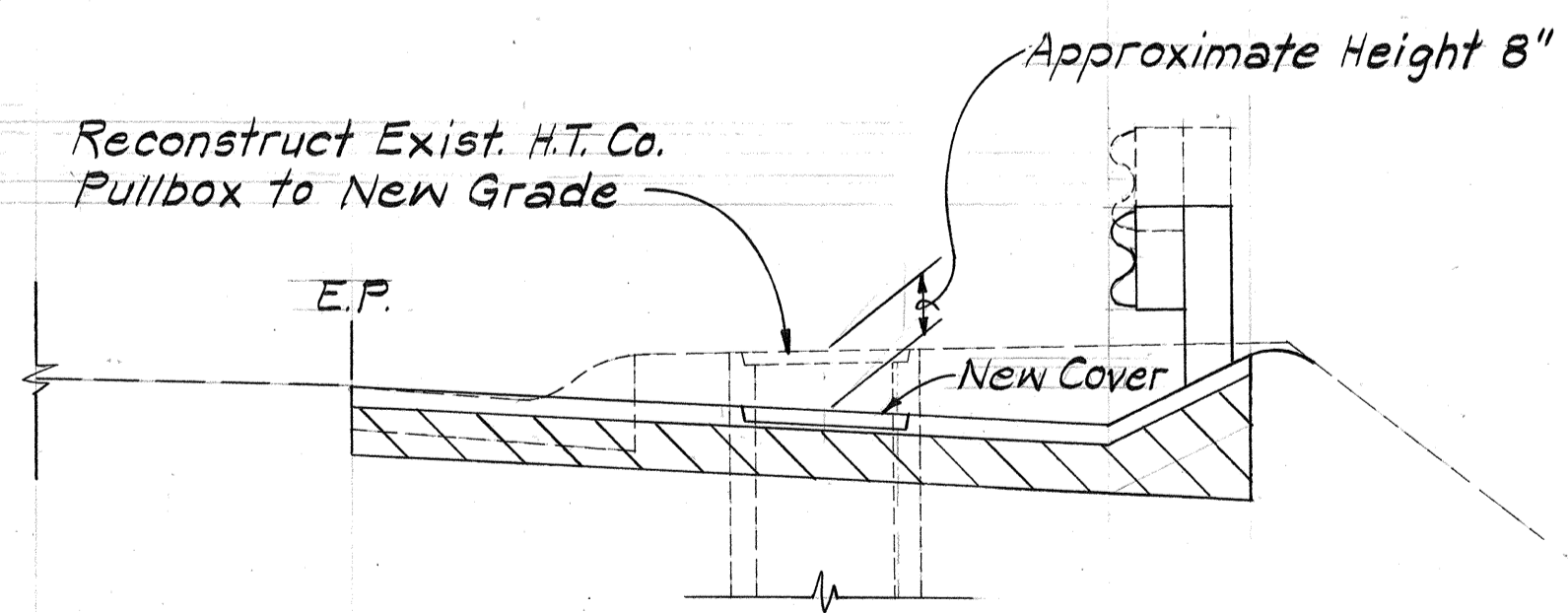


DETAIL OF MANHOLE ADJUSTMENT
AT # STA. 152+95± RT.
Scale: 1/2" = 1'-0"



TYPICAL SHOULDER IMPROVEMENTS AT H.T.CO. MANHOLES**
STA. 172+00± AND # STA. 221+60±
Scale: 1/2" = 1'-0"

- ** NOTES
1. The double rail section shall be bolted at its midpoint with a single splice bolt.
 2. The bolts at each end of the double rail section shall be of sufficient length to anchor three rail elements to the spacer block.
- C.C.O. #1



TYPICAL PULLBOX RECONSTRUCTION
Scale: 1/2" = 1'-0"

- NOTES:
1. Existing Pullboxes #435T-B to be reconstructed to new grade and existing covers to be replaced with new covers for heavy loads.
 2. Existing Pullboxes #434T and Type B Meter Box 436T to be replaced with Pullboxes #435T-B.
 3. For utility work, all materials to be furnished by H.T.Co.
 4. All work to adjust utility facilities shall be done by others.

DATE	_____
SURVEY PLOTTED BY	_____
DRAWN BY	_____
DESIGNED BY	_____
QUANTITIES BY	_____
CHECKED BY	_____
ORIGINAL PLAN	_____
NOTE BOOK	_____
No.	_____

STATE OF HAWAII
DEPARTMENT OF TRANSPORTATION
LAND TRANSPORTATION FACILITIES DIVISION

SHOULDER TRANSITION DETAIL

LIKELIKE HIGHWAY
Burmeister Overpass towards Kahekili Hwy.
PROJECT NO. G3A-01-82

Scale: As Shown Date: March, 1982
SHEET NO. 1 OF 2 SHEETS

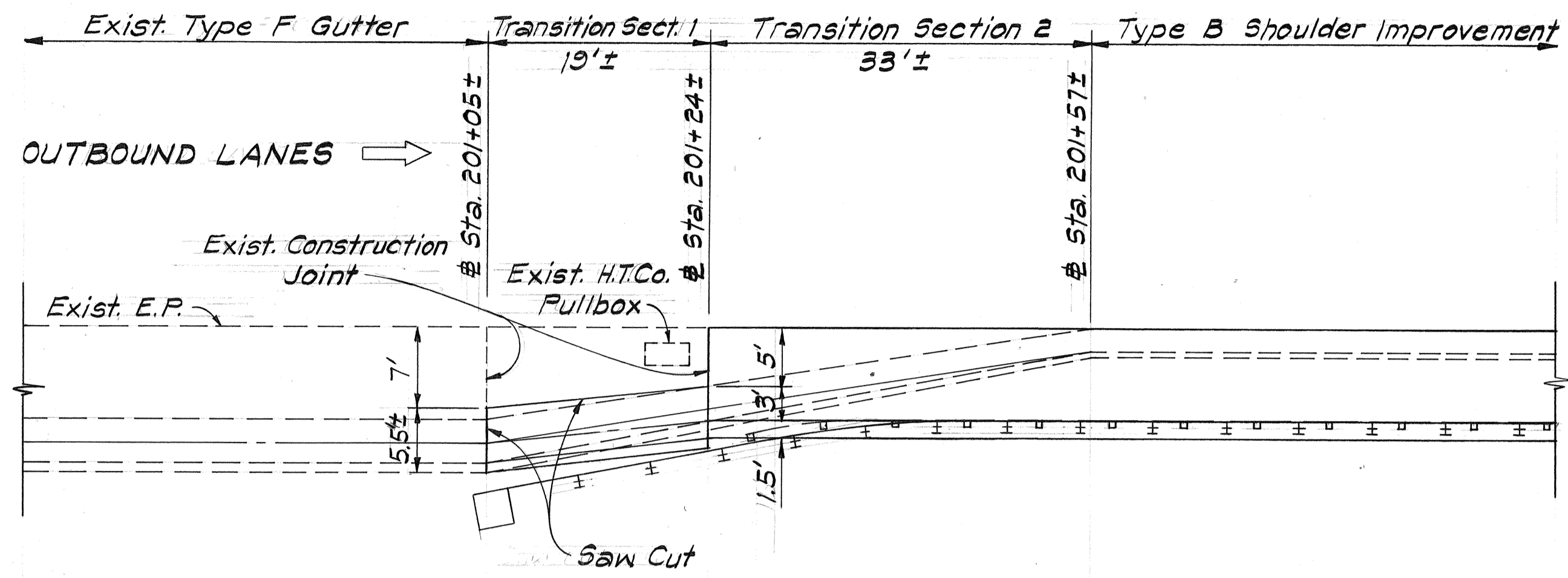
FED. ROAD DIST. NO.	STATE	PROJ. NO.	FISCAL YEAR	SHEET NO.	TOTAL SHEETS
HAWAII	HAW.	63A-01-82	1982	7	22

SCHEDULE OF PAYEMENT STRIPING & SIGNING

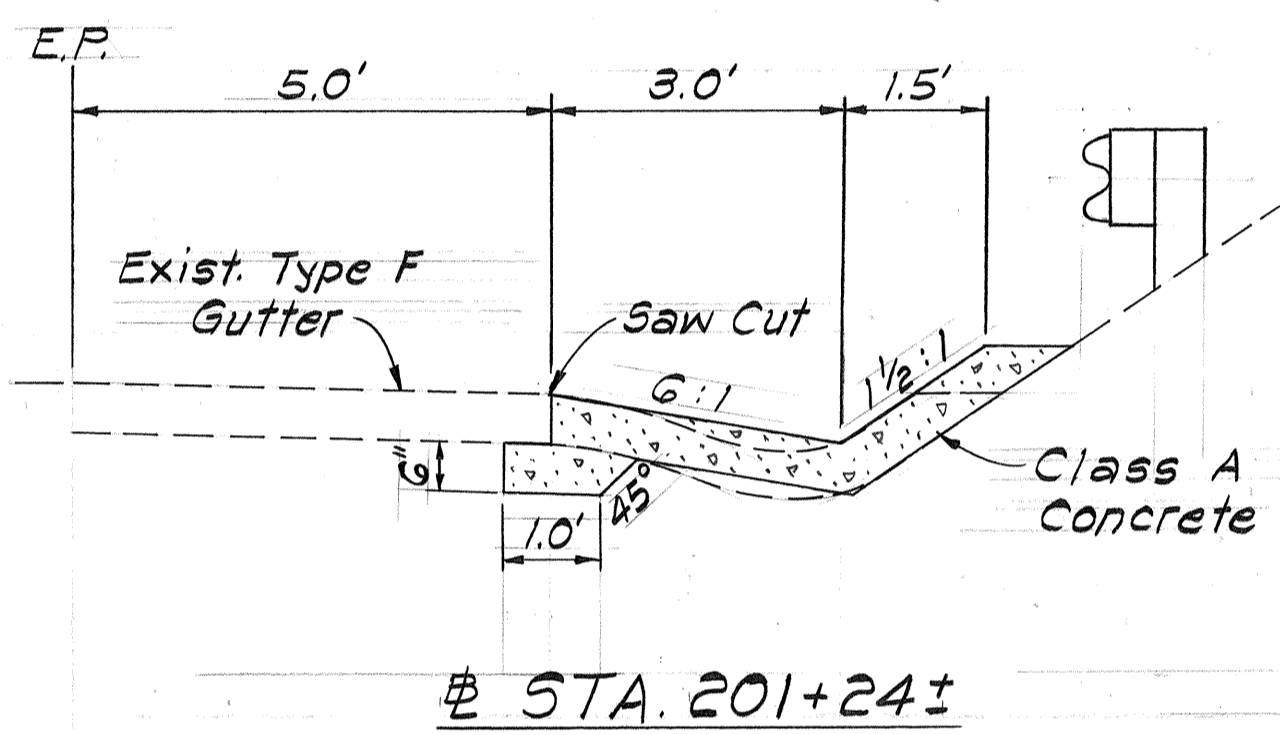
STATION	DESCRIPTION	QUANTITY
152+55 Rt. to 222+38 Rt.	Install 4" White Edge Stripe (Paint) Right Edge of Pavement	7,000 L.F.
154+60 Rt.	Install R2-1(45) w/ Post "SPEED LIMIT 45"	1 Each
160+00 Rt.	Relocate W8-5 w/ Post behind Guard Rail "SLIPPERY WHEN WET" (2 Signs)	2 Ea. (Single Post Install.)
182+00 Rt.	Install R7-4 w/ Post "NO STOPPING OR STANDING"	1 Each
188+50 Rt.	Install R2-1(45) w/ Post "SPEED LIMIT 45"	1 Each
197+50 Rt.	Install R7-4 w/ Post "NO STOPPING OR STANDING"	1 Each
212+00 Rt.	Install R7-4 w/ Post "NO STOPPING OR STANDING"	1 Each
222+00 Rt.	Install W7-1 & W7-2b w/ Posts "TRUCKS USE LOW GEAR" (2 Signs, Double Post Install.)	2 Ea. (Double Post Install.)

PAYEMENT STRIPING & SIGNING NOTES

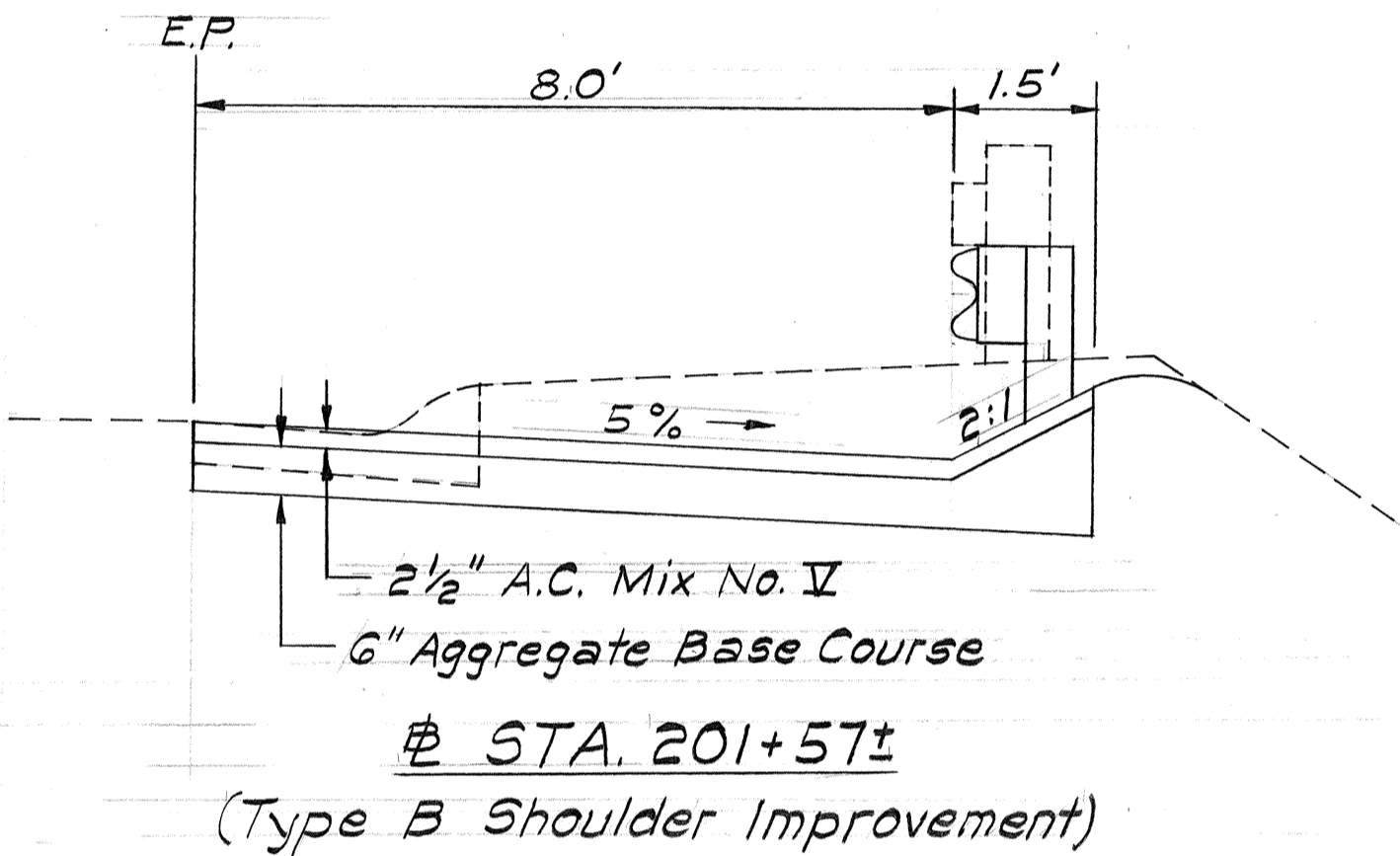
- The 4 inch White Edge Stripe shall be installed at the right edge of the Traveled Way (left edge of outside Shoulder).
- Location of all new Pavement Striping or Signs shall be staked out by the Contractor for approval by the Engineer prior to installation.
- Existing signs shall be removed at sign installation locations.
- Removal and relocation of existing signs including post and foundation shall not be paid for separately but shall be considered incidental to the various contract items in the Proposal Schedule. All relocated signs shall be on new posts and their locations staked out by the Contractor for approval.



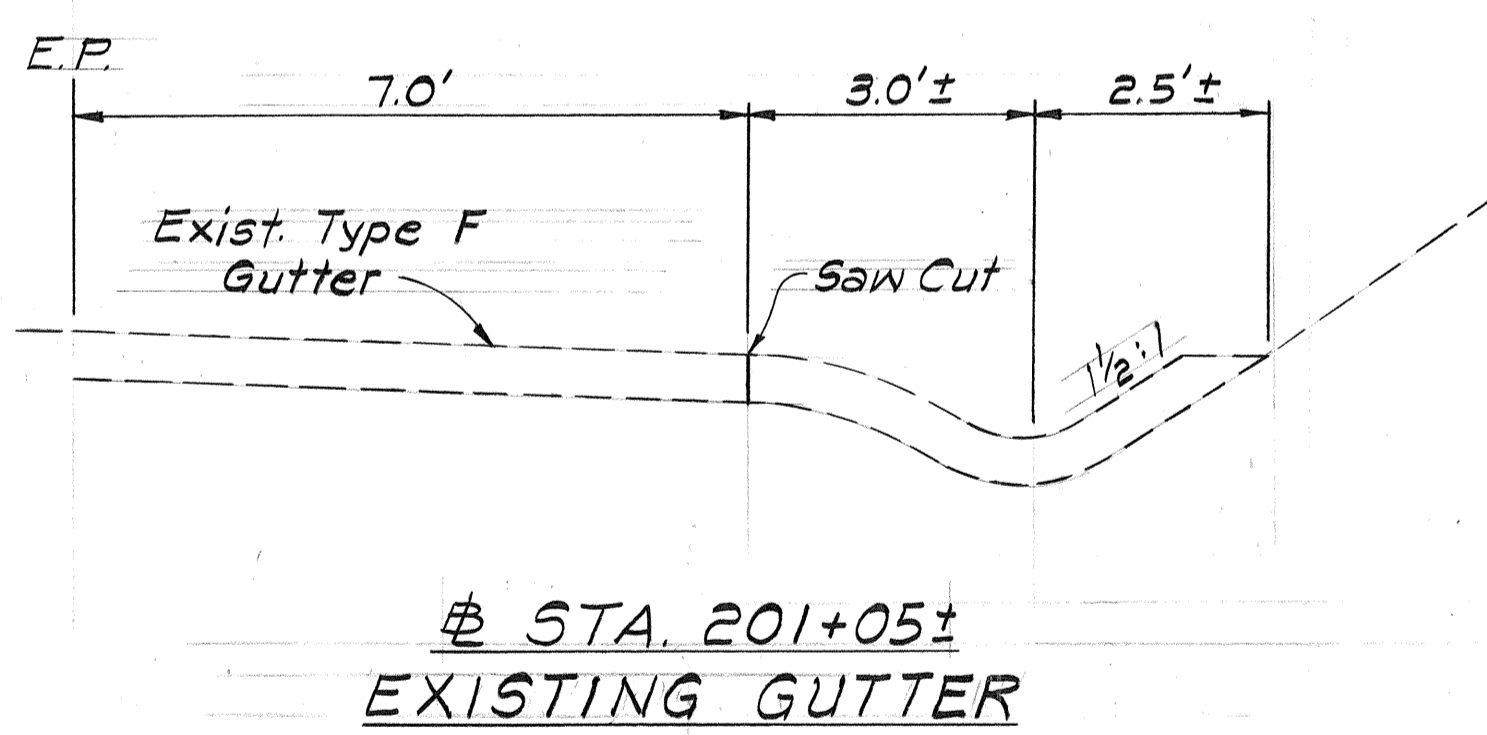
PLAN
 # STA. 201+05± TO # STA. 201+57±
 Scale: 1" = 10'



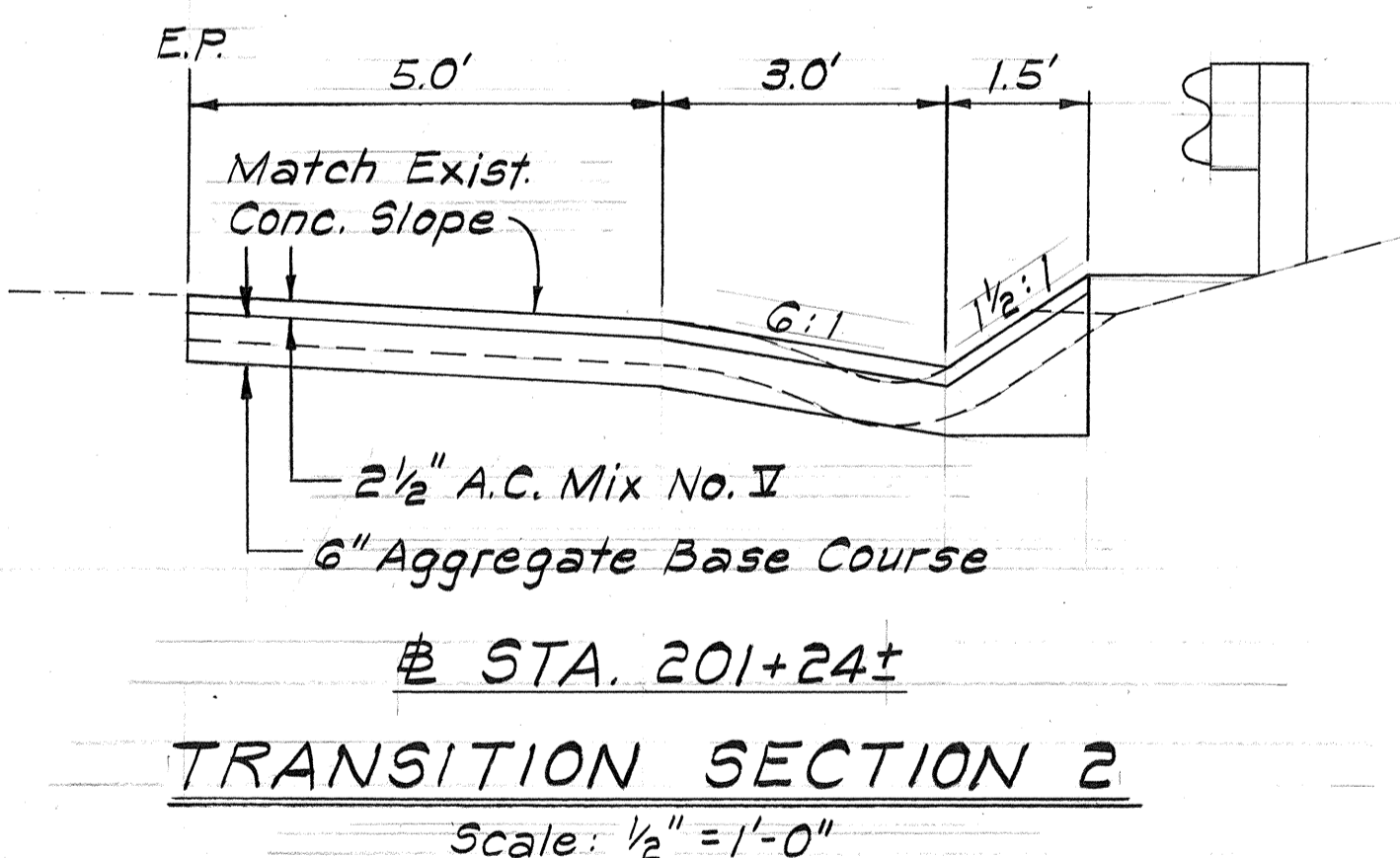
STA. 201+24±



STA. 201+57±
 (Type B Shoulder Improvement)



STA. 201+05±
 EXISTING GUTTER



STA. 201+24±
 TRANSITION SECTION 2
 Scale: 1/2" = 1'-0"

NOTES:

- # Sta. 201+05± to # Sta. 201+24± reconstruct PCC conc. gutter transition as shown on plan. See details of Transition Section 1 on this sht.
- # Sta. 201+24± to # Sta. 201+57± reconstruct shoulder and gutter transition as shown on plan. See details of Transition Section 2 on this sht.
- The construction of transition sections 1 and 2, including saw cutting and the removal of the existing conc. gutter shall be considered incidental to Item No. G90.2000 - 'Type B Shoulder Improvement.'
- Portland Cement Concrete for transition shall meet the requirements of Section 601 - Structural Concrete.

DATE	_____
SURVEY PLOTTED BY	_____
DRAWN BY	_____
DESIGNED BY	_____
QUANTITIES BY	_____
CHECKED BY	_____
ORIGINAL PLAN NO.	_____

STATE OF HAWAII
 DEPARTMENT OF TRANSPORTATION
 LAND TRANSPORTATION FACILITIES DIVISION

**SHOULDER TRANSITION DETAIL,
 STRIPING & SIGNING SCHEDULE**

LIKELIKE HIGHWAY
 Burmeister Overpass towards Kahekili Hwy.
 PROJECT NO. 63A-01-82

Scale: As Shown Date: March, 1982
 SHEET NO. 2 OF 2 SHEETS