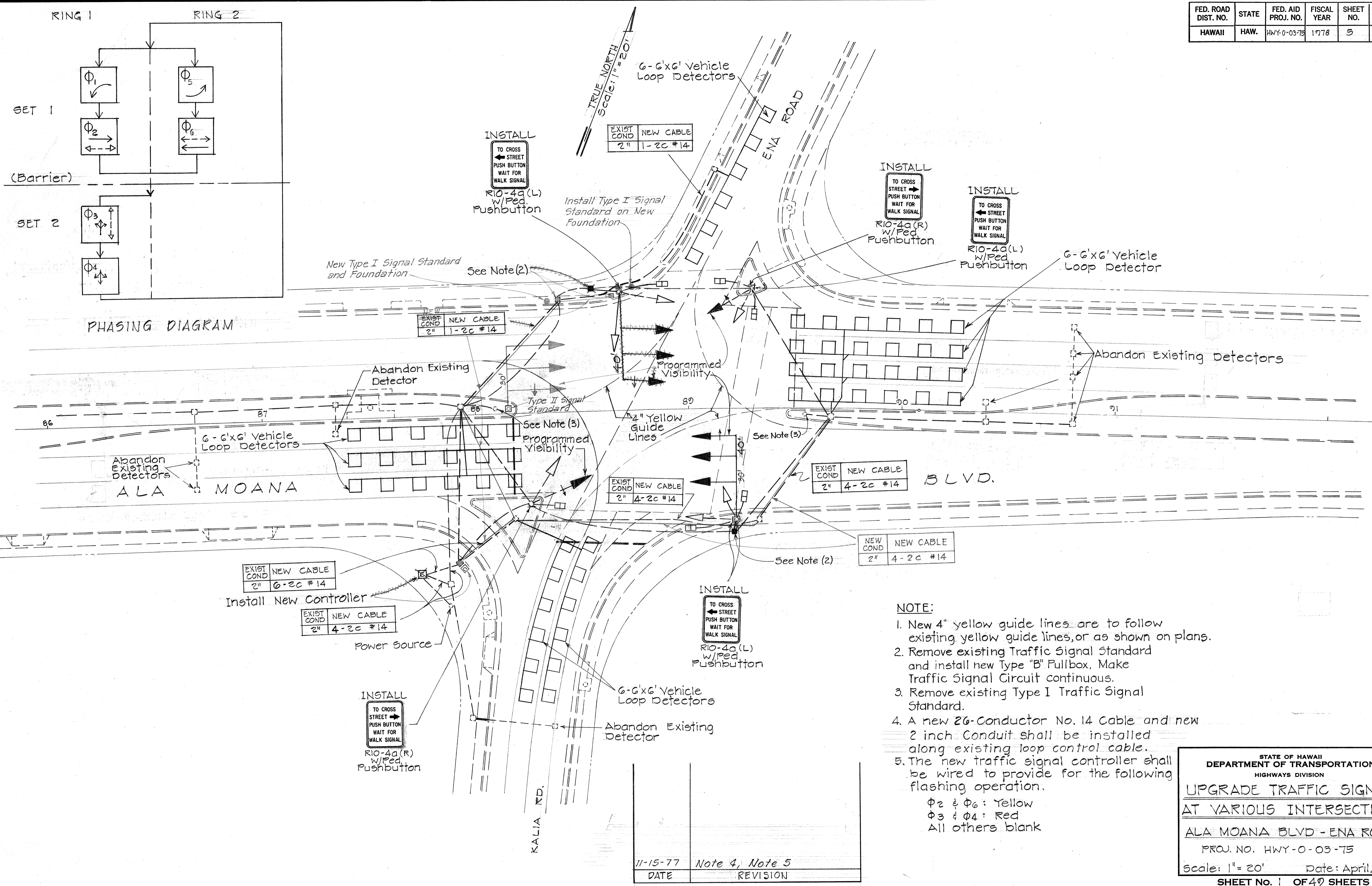


FED. ROAD DIST. NO.	STATE	FED. AID PROJ. NO.	FISCAL YEAR	SHEET NO.	TOTAL SHEETS
HAWAII	HAW.	HWY-0-03-75	1978	5	79



- NOTE:**
1. New 4" yellow guide lines are to follow existing yellow guide lines, or as shown on plans.
 2. Remove existing Traffic Signal Standard and install new Type "B" Fullbox. Make Traffic Signal Circuit continuous.
 3. Remove existing Type I Traffic Signal Standard.
 4. A new 26-Conductor No. 14 Cable and new 2 inch Conduit shall be installed along existing loop control cable.
 5. The new traffic signal controller shall be wired to provide for the following flashing operation.
 ϕ_2 & ϕ_6 : Yellow
 ϕ_3 & ϕ_4 : Red
 All others blank

11-15-77	Note 4, Note 5
DATE	REVISION

STATE OF HAWAII
DEPARTMENT OF TRANSPORTATION
HIGHWAYS DIVISION

**UPGRADE TRAFFIC SIGNALS
AT VARIOUS INTERSECTIONS**

ALA MOANA BLVD - ENA ROAD

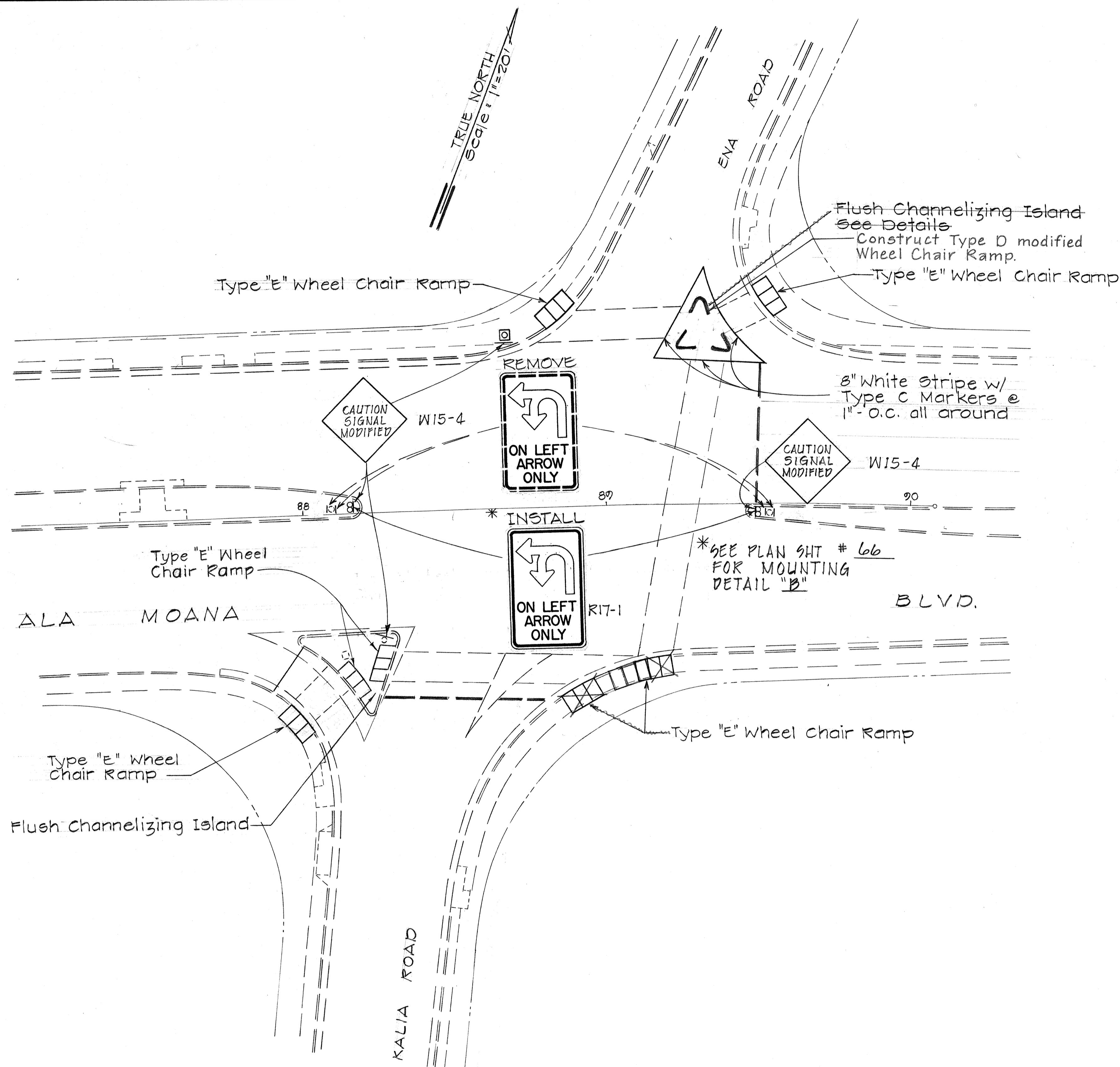
PROJ. NO. HWY-0-03-75

Scale: 1" = 20' Date: April, 1977

SHEET No. 1 OF 40 SHEETS

DATE	
SURVEY PLOTTED BY	
DESIGNED BY	
TRACED BY	
NOTE BOOK	
DESIGNED BY	
QUANTITIES BY	
CHECKED BY	
NO.	

FED. ROAD DIST. NO.	STATE	FED. AID PROJ. NO.	FISCAL YEAR	SHEET NO.	TOTAL SHEETS
HAWAII	HAW.	HWY-0-03-75	1978	6	79



QUANTITY SUMMARY FOR ALA MOANA BLVD AT ENA RD.

ITEM NO.	QUANTITY	DESCRIPTION
621.5100	2 Ea.	Install R17-1 Sign with Post
621.5600	4 Ea.	Install Temporary W15-4 Sign without Post
623.3043	2 Ea.	One relocated 12" R,Y,G Traffic Signal Head and one new 12" R,Y,G Traffic Signal Head with Type V Mounting
623.3061	4 Ea.	One new 12" R,Y,G Traffic Signal Head with Type VI Mounting
623.4300	2 Ea.	One new Pedestrian Signal Head with Type IV Mounting
623.3063	2 Ea.	One new 12" R,Y, ← Programmed visibility Traffic Signal Head with Type VI Mounting
623.4400	2 Ea.	Two new pedestrian signal head with Type V Mounting
623.3017	2 Ea.	One relocated 12" R,Y, ← Programmed visibility Traffic Signal Head and one relocated 12" R,Y,G Traffic Signal Head with Type II Mounting
623.7030	530 L.F.	No 14 2G- Conductor Loop Control Cable
623.2018	2 Ea.	Type II Traffic Signal Standard with 40 Foot Mastarm and Foundation
623.2001	1 Ea.	Multi-Phase Controller
623.6010	2 Ea.	Type "B" Pullbox
623.8050	10 Ea.	Loop Detector Sensing Unit (6 Ft. x 6 Ft.) 6 Loops.
623.5000	530 L.F.	One-2 inch Conduit
623.4600	6 Ea.	Pedestrian pushbutton with R10-4a sign
623.7020	1710 L.F.	No. 14 2 Conductor Loop Detector Cable
623.2030	125 Ea.	Type C Pavement Markers
623.1010	340 L.F.	Pavement Striping
650.0030	7 Ea.	Type "E" Wheel Chair Ramp
655.0010	1 Ea.	Flushed Channelized Island
	800 L.F.	Pedestrian pushbutton control cable (1-20 #14)

ORIGINAL PLAN	DATE
DESIGNED BY	
TRACED BY	
NOTE BOOK	
DESIGNED BY	
QUANTITIES BY	
CHECKED BY	
No.	

11-15-77	Flush Channelizing Island; Quantity Summary
DATE	REVISION

STATE OF HAWAII
DEPARTMENT OF TRANSPORTATION
HIGHWAYS DIVISION

UPGRADE TRAFFIC SIGNALS
AT VARIOUS INTERSECTIONS

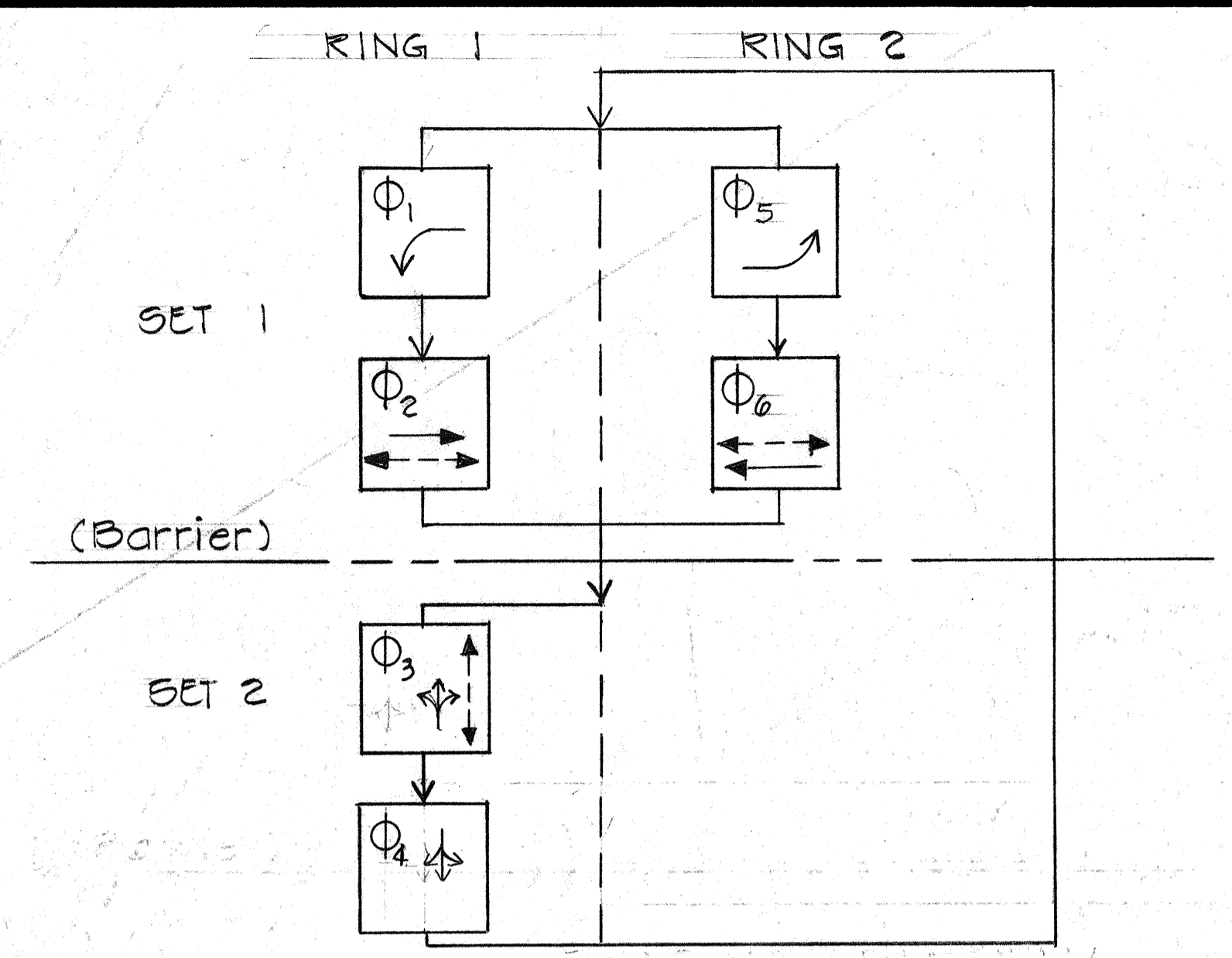
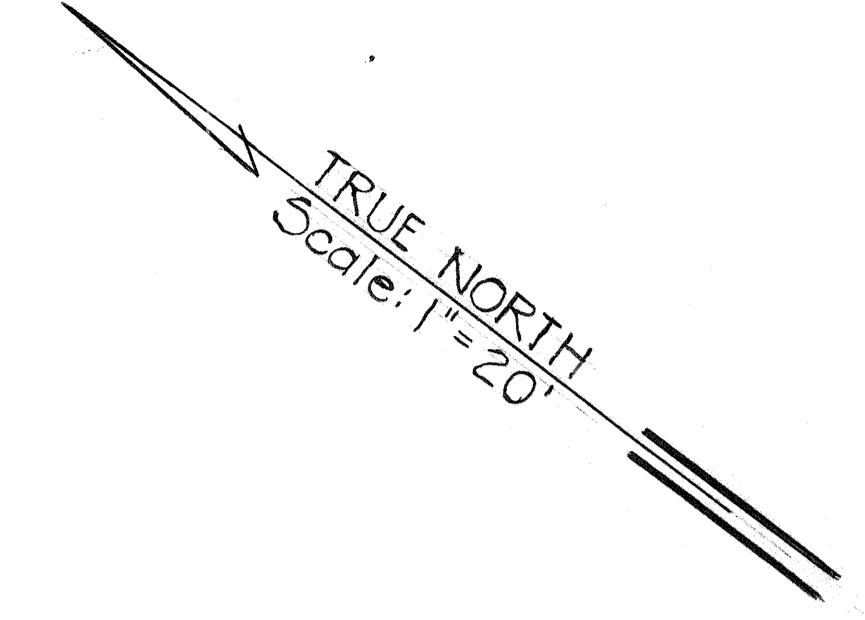
ALA MOANA BLVD - ENA ROAD

PROJ NO. HWY-0-03-75

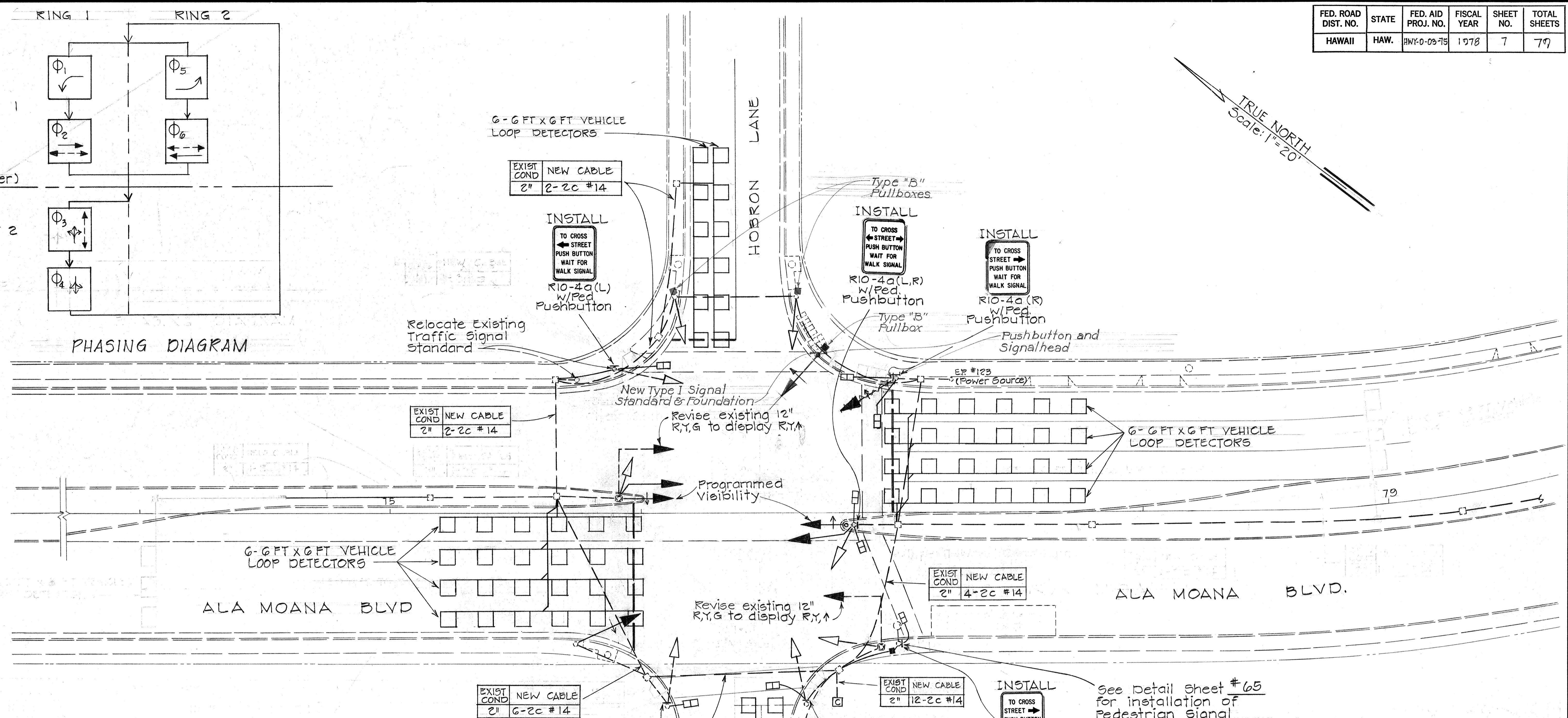
Scale: As Shown Date: April 1977

SHEET No. 2 OF 49 SHEETS

FED. ROAD DIST. NO.	STATE	FED. AID PROJ. NO.	FISCAL YEAR	SHEET NO.	TOTAL SHEETS
HAWAII	HAW.	HWY-0-03-75	1978	7	79



PHASING DIAGRAM



NOTES:

1. A new 26-conductor No. 14 Cable and new 2-inch Conduit shall be installed along existing loop control cable.
2. The new traffic signal controller shall be wired to provide for the following flashing operation.

ϕ_2 & ϕ_6 : Yellow
 ϕ_3 & ϕ_4 : Red
 All others blank

DATE	
SURVEY PLOTTED BY	
DRAWN BY	
DESIGNED BY	
NOTE BOOK	
QUANTITIES BY	
CHECKED BY	
No.	

11-15-77	Note 1, Note 2
DATE	REVISION

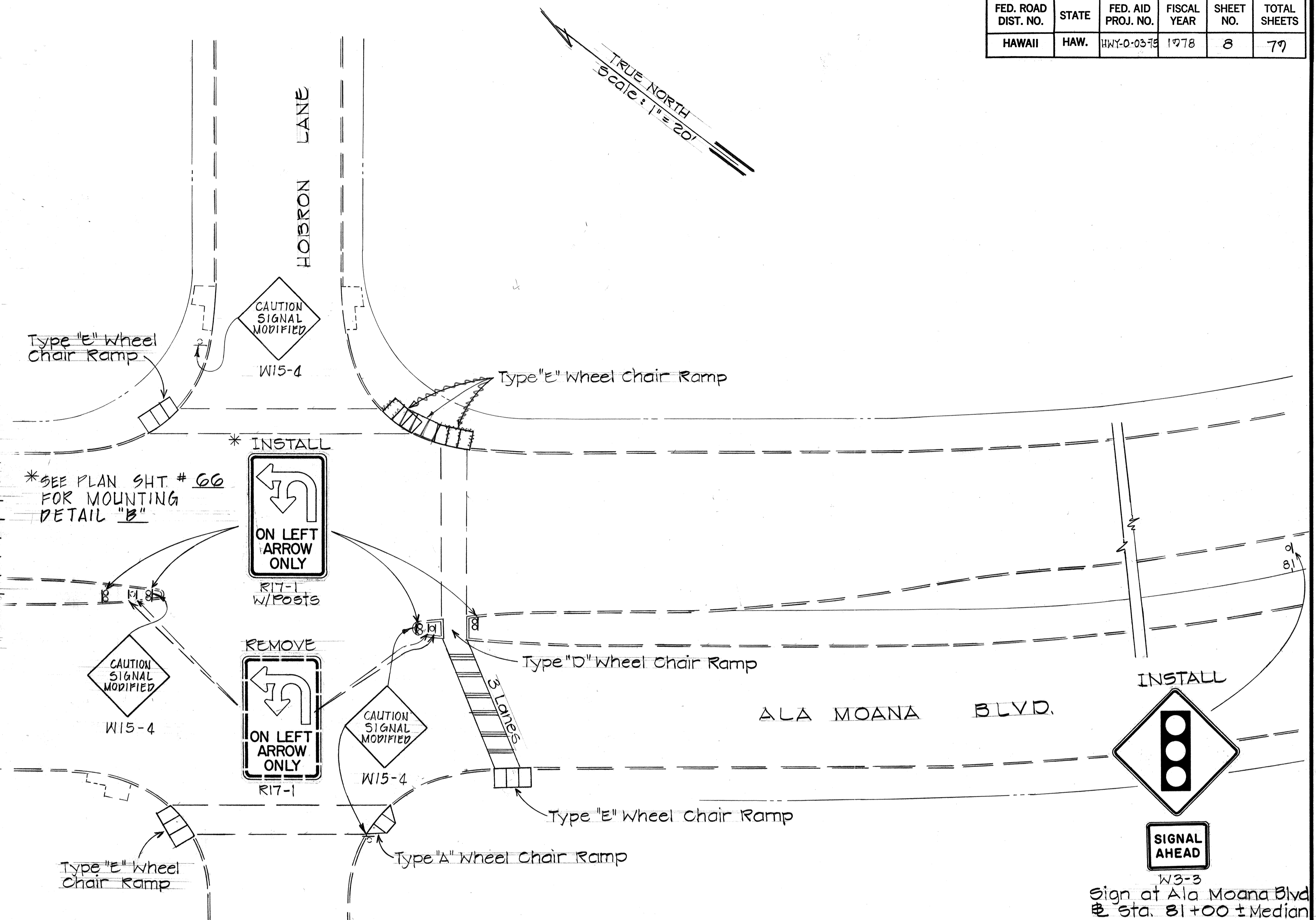
STATE OF HAWAII
 DEPARTMENT OF TRANSPORTATION
 HIGHWAYS DIVISION

**UPGRADE TRAFFIC SIGNALS
 AT VARIOUS INTERSECTIONS**

ALA MOANA BLVD-HOBRON LN.
 PROJ. NO. HWY. 0-03-75
 Scale: 1"=20' Date: April, 1977
 SHEET NO. 3 OF 49 SHEETS

FED. ROAD DIST. NO.	STATE	FED. AID PROJ. NO.	FISCAL YEAR	SHEET NO.	TOTAL SHEETS
HAWAII	HAW.	HWY-0-03-75	1978	8	79

QUANTITY SUMMARY FOR ALA MOANA BLVD AND HOBRON LANE		
ITEM NO	QUANTITY	DESCRIPTION
621.5100	4 Ea.	Install R17-1 Sign with posts
621.5300	1 Ea.	Install W3-3 Sign with post
623.3070	2 Ea.	Revise existing 12" R,Y,G Traffic Signal Head to display R,Y,↑
623.3026	1 Ea.	One new 12" R,Y,↑ Traffic Signal Head, one new 12" R,Y,G Traffic Signal Head and one new 12" R,Y,← Programmed Visibility Traffic Signal Head with Type III Mounting
623.3033	1 Ea.	One new 12" R,Y,← Programmed visibility Traffic Signal Head with Type IV Mounting
623.3041	1 Ea.	One new 12" R,Y,G Traffic Signal Head and one new 12" R,Y,↑ Traffic Signal Head with Type V Mounting
623.2009	1 Ea.	Relocated Type I Traffic Signal Standard and new Foundation
623.3005	3 Ea.	One relocated 12" R,Y,G Traffic signal Head with Type I mounting
623.3001	1 Ea.	One new 12" R,Y,← Traffic Signal Head with Type I Mounting
623.3001	2 Ea.	One new 12" R,Y,G Traffic Signal Head with Type I Mounting
623.4300	4 Ea.	One new Pedestrian Signal Head with Type IV Mounting
623.4400	2 Ea.	Two new Pedestrian Signal Head with Type V Mounting
623.4600	7 Ea.	Pedestrian Pushbutton with R10-4a Sign
623.6010	4 Ea.	Type "B" Pullbox
623.8050	10 Ea.	Loop Detector Sensing Unit (6 Ft. x 6 Ft.) 6 Loops
621.5600	4 Ea.	Install Temporary W15-4 Sign without Post
623.5000	600 L.F.	One - 2 Inch Conduit
623.7020	1710 L.F.	No. 14 2 Conductor Loop Detector Cable
623.1020	3 Ea.	Crosswalk Marking
650.0010	1 Ea.	Type "A" Wheel Chair Ramp
650.0040	1 Ea.	Type "D" Wheel Chair Ramp
650.0050	5 Ea.	Type "E" Wheel Chair Ramp
623.2001	1 Ea.	New multiphase Controller
623.7030	600 L.F.	One - 26 Conductor No. 14 Loop Control Cable
	455 L.F.	Pedestrian Pushbutton Control Cable (1-2C #14)



SURVEY PLOTTED BY	DATE
DRAWN BY	
DESIGNED BY	
CHECKED BY	
ORIGINAL PLAN	
NOTE BOOK	
No.	

11-15-77	Quantity Summary
DATE	REVISION

STATE OF HAWAII
DEPARTMENT OF TRANSPORTATION
HIGHWAYS DIVISION

UPGRADE TRAFFIC SIGNALS AT
VARIOUS INTERSECTIONS
ALA MOANA BLVD-HOBRON LN

PROJ. NO. HWY-0-03-75

Scale: 1" = 20' Date: April, 1977

SHEET NO. 4 OF 49 SHEETS