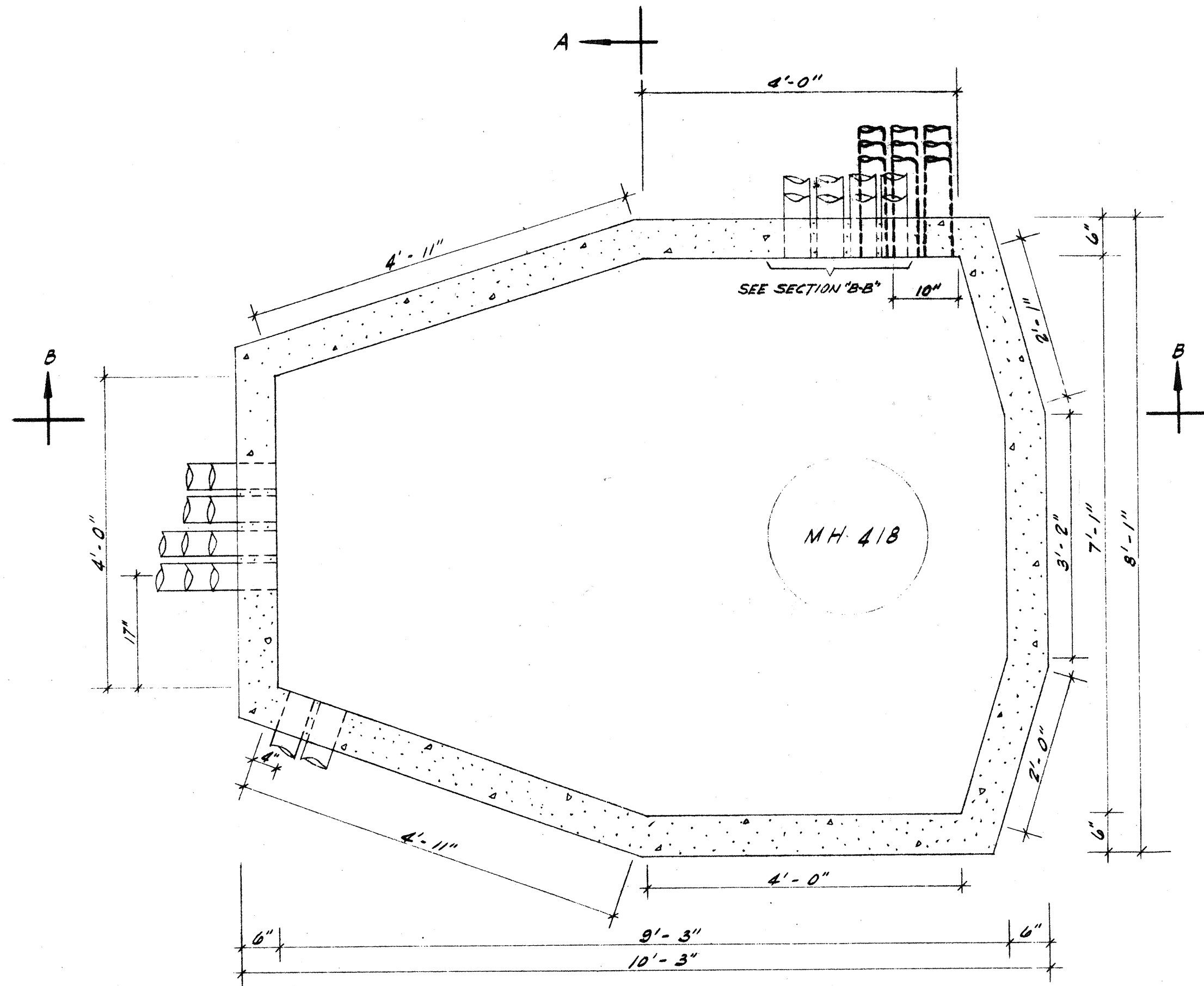
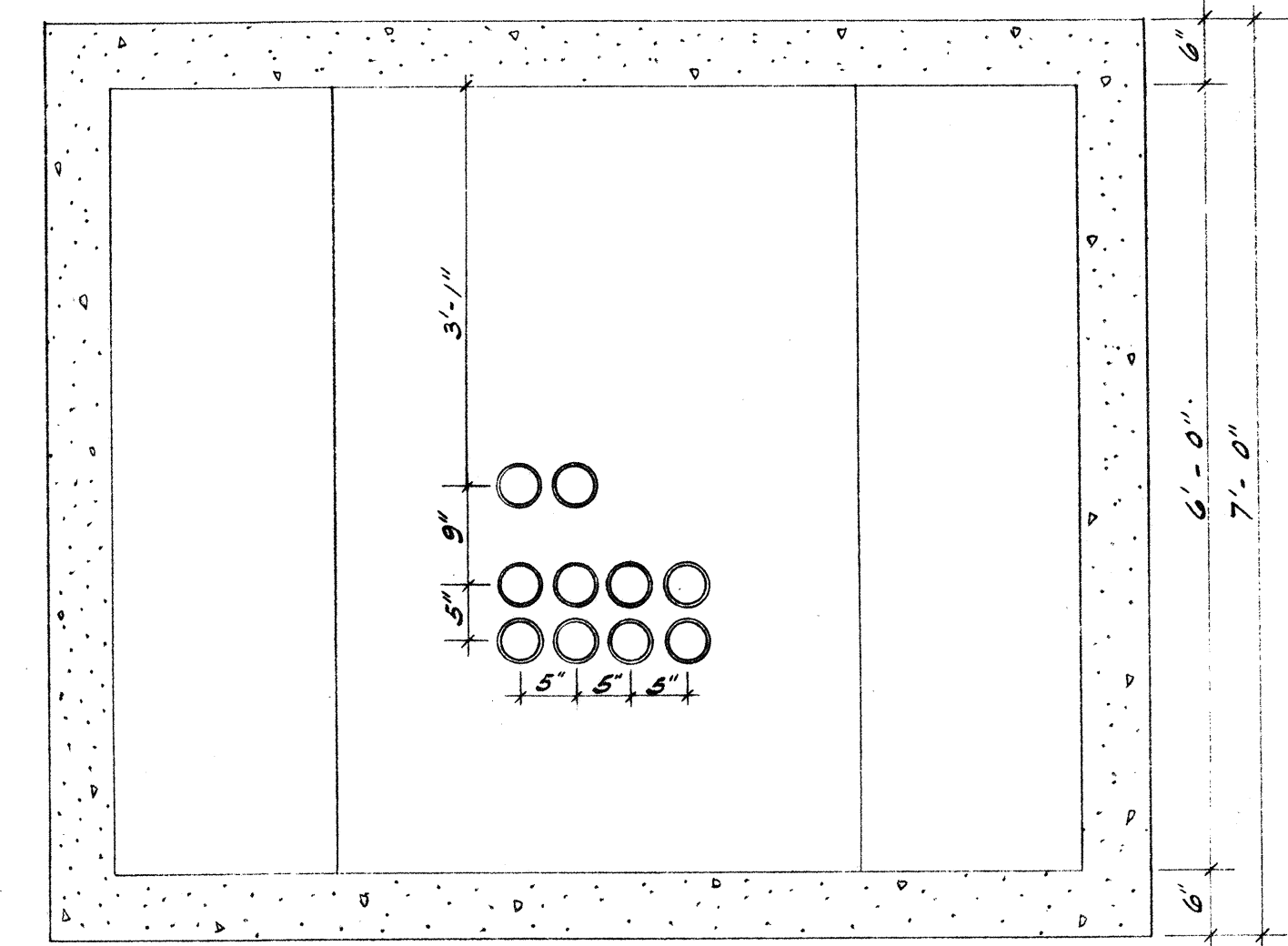


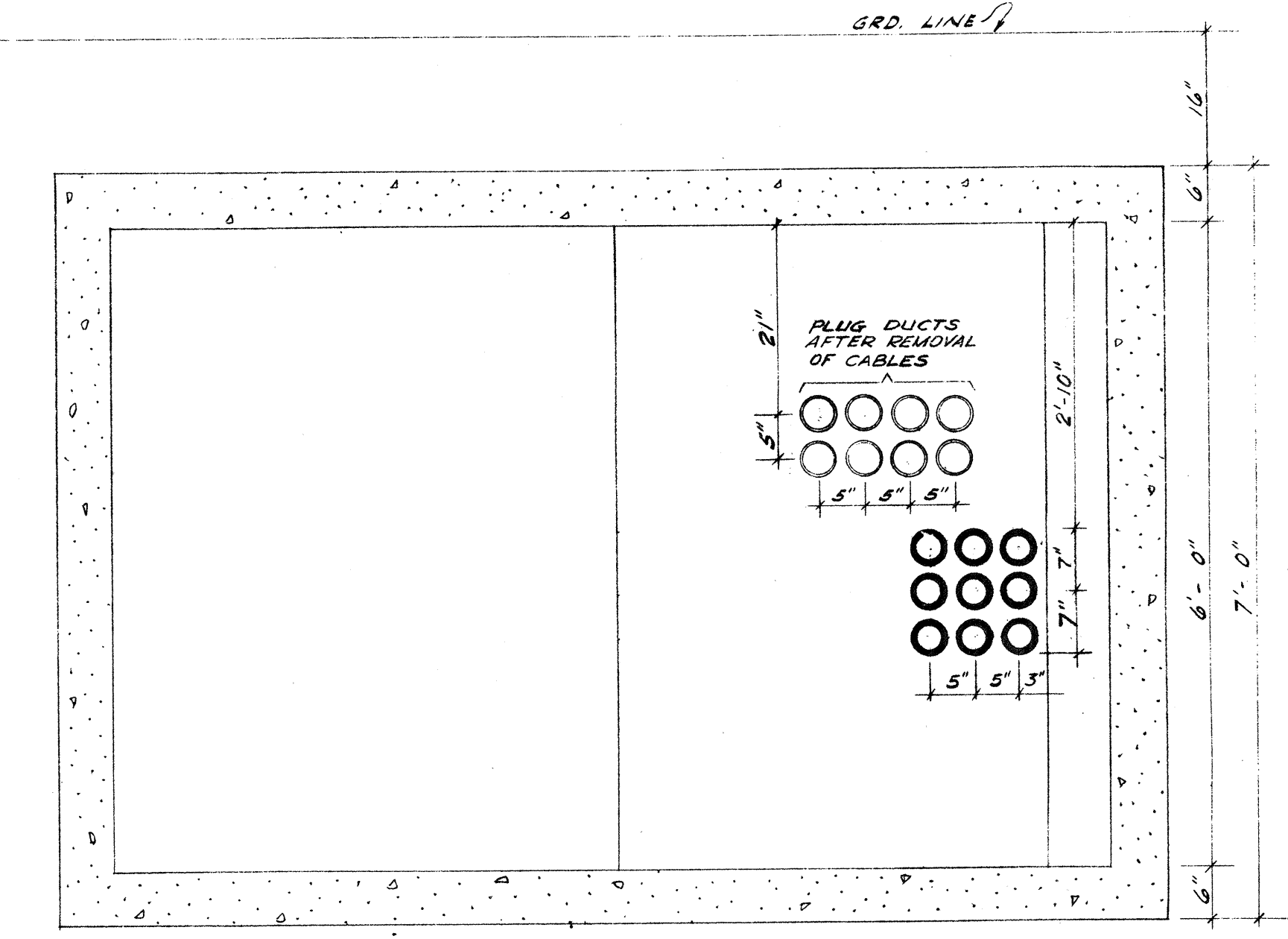
FED. ROAD DIST. No.	STATE	FED. AID PROJ. No.	FISCAL YEAR	SHEET No.	TOTAL SHEETS
HAWAII	ROAD	US-0630(2)	1958	59	103



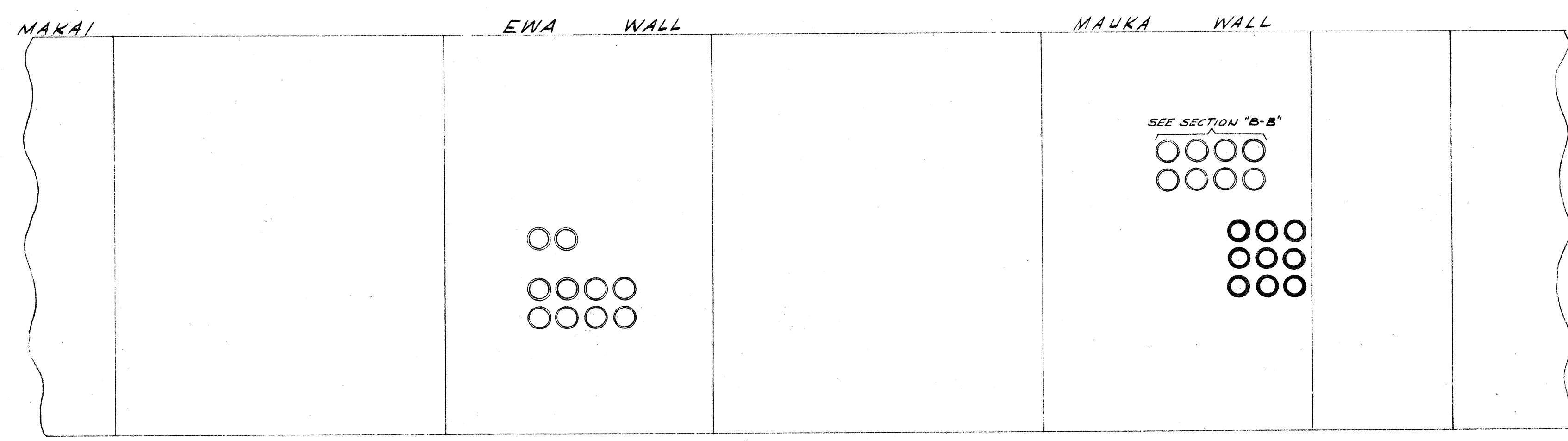
**PLAN VIEW**  
SCALE: 3/4" = 1'-0"



**SECTION "A-A"**  
SCALE: 3/4" = 1'-0"



**SECTION "B-B"**  
SCALE: 3/4" = 1'-0"



**DEVELOPED VIEW OF MANHOLE WALLS**  
SCALE: 3/4" = 1'-0"

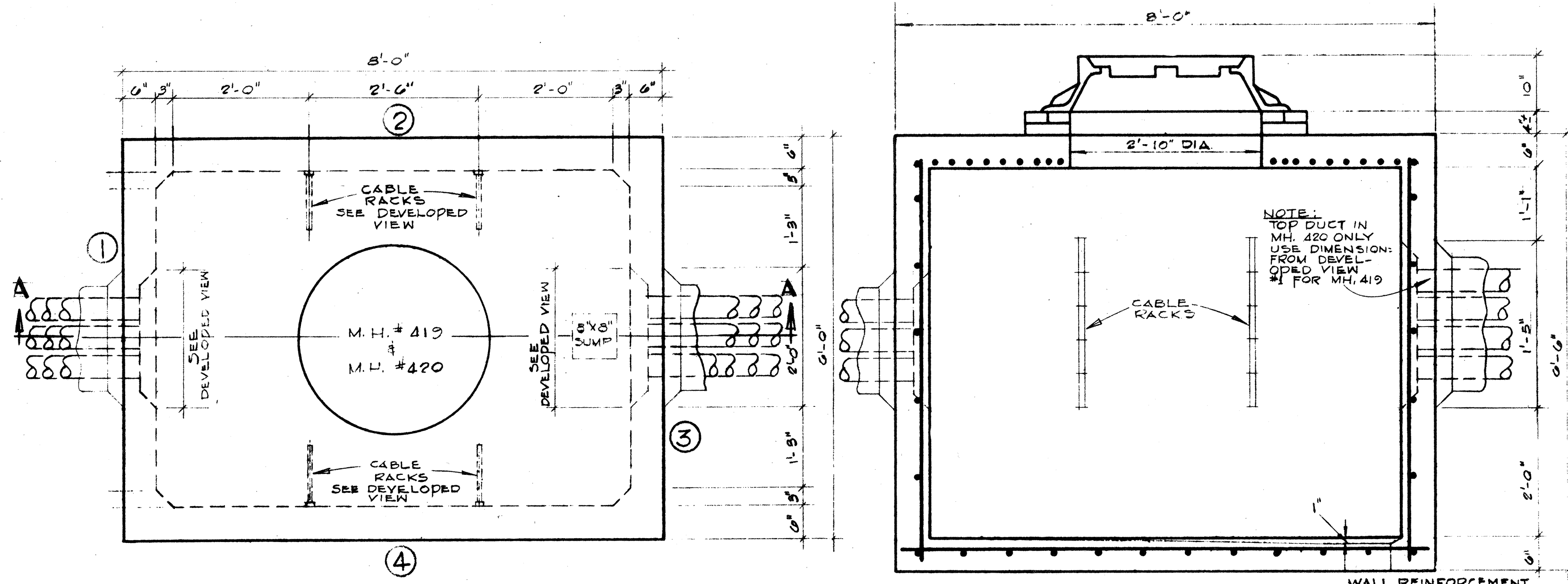
**MANHOLE NO. 418**

APPROVED: *[Signature]*  
DATE: 3-28-58

TERRITORIAL HIGHWAY DEPARTMENT  
TERRITORY OF HAWAII  
**HAWAIIAN TELEPHONE**  
**MANHOLE DETAILS**  
KALIHI STREET US-0630(2)  
Scale: As Noted Feb. 1958

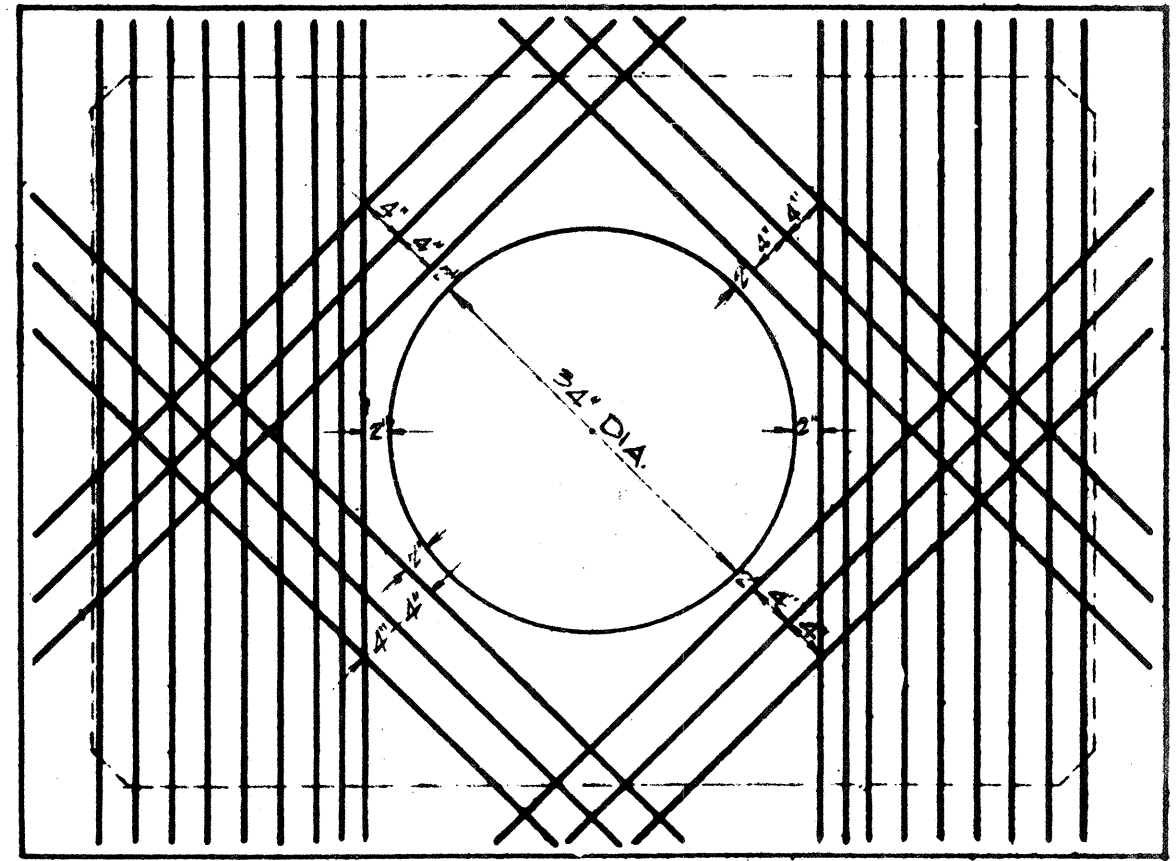
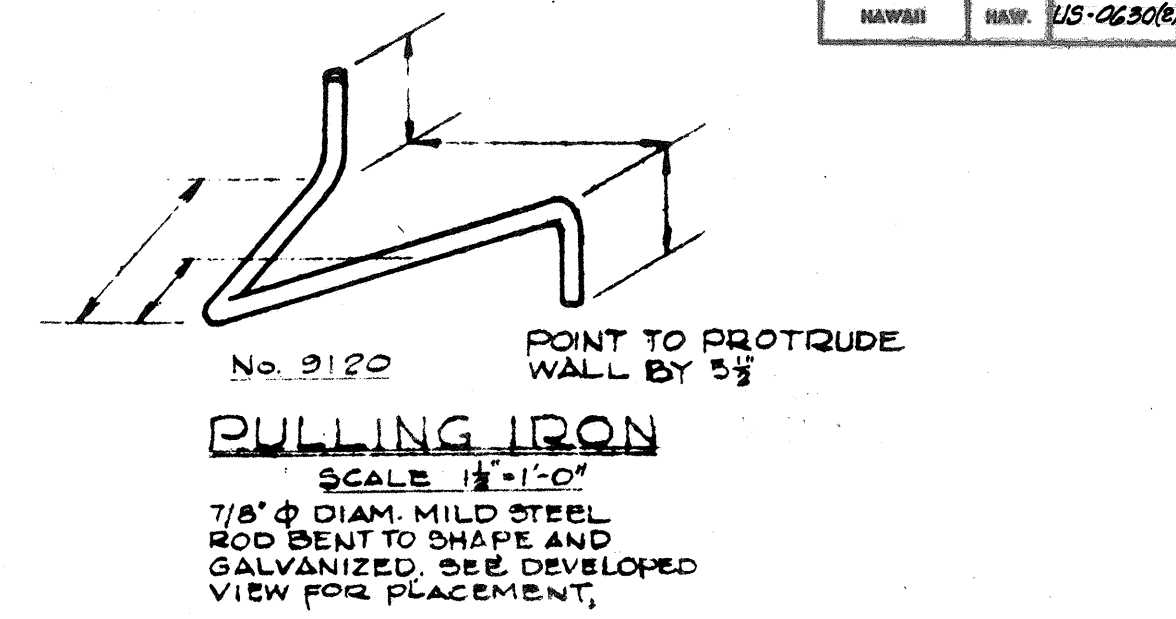
SHEET 1 OF 7 SHEETS

FED. ROAD DIST. NO.	STATE	FED. AID PROJ. NO.	FISCAL YEAR	SHEET NO.	TOTAL SHEETS
HAWAII	HAW.	US-0630(2)	1958	60	103

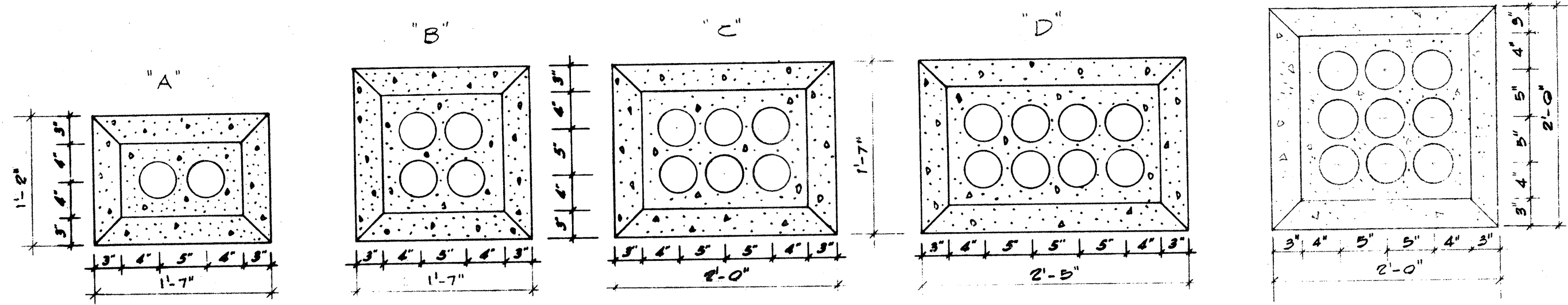


**PLAN VIEW**  
NO SCALE

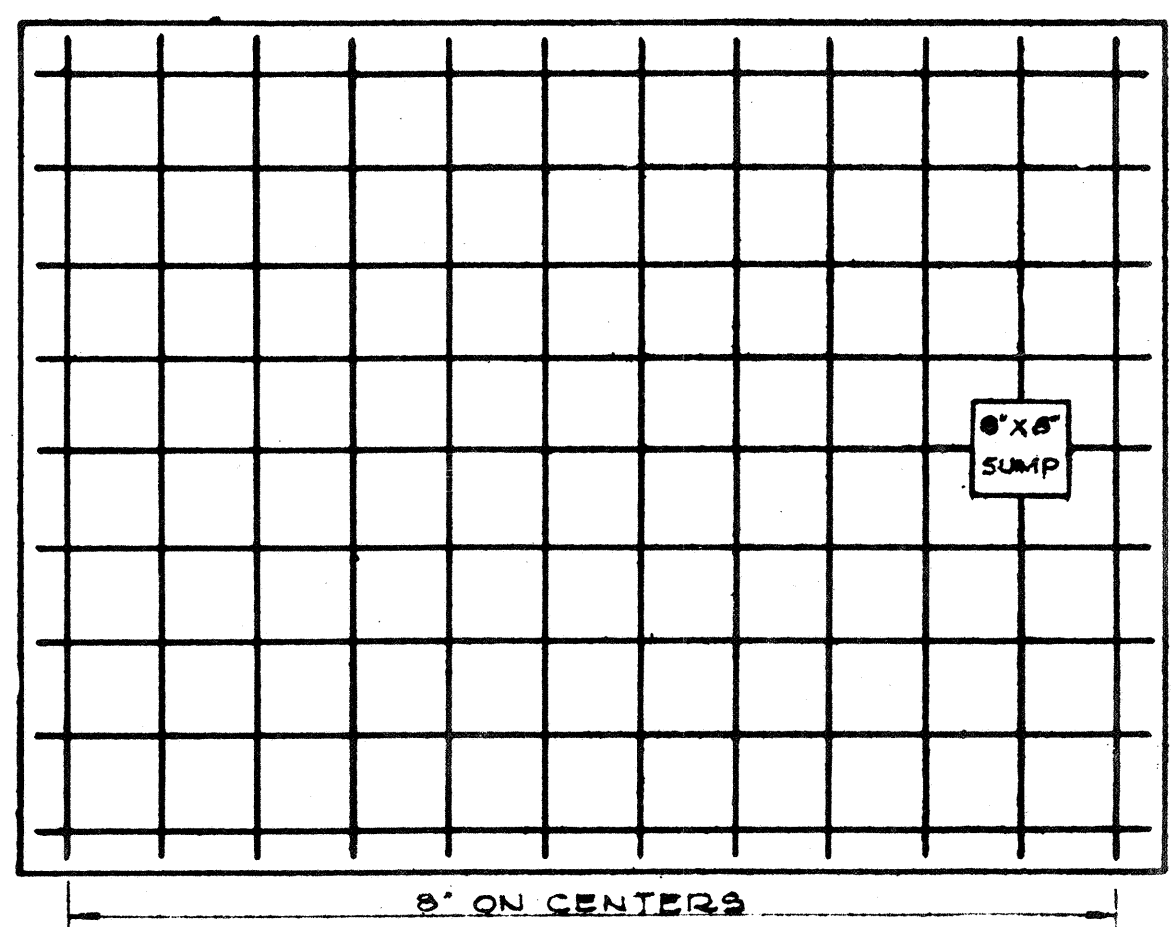
**SECTION A-A**  
NO SCALE



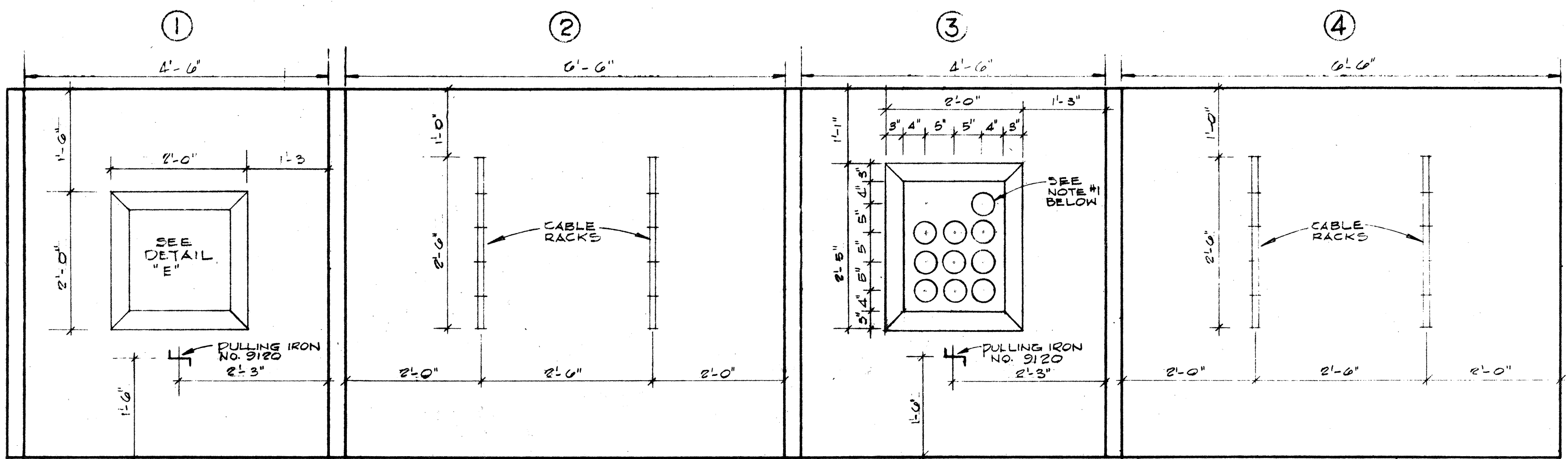
**ROOF SLAB**  
SCALE 3/4"=1'-0"  
ON CENTERS  
PLACE DIAGONAL BARS ON REGULAR. USE 1/2" ROUND DEFORMED BARS.



**DETAIL OF DUCT ENTRANCE**  
SCALE 1/2"=1'-0"



**FLOOR SLAB**  
SCALE 3/4"=1'-0"  
3/8" ROUND DEFORMED BARS.



**DEVELOPED VIEW OF WALLS**  
NO SCALE

NOTE: CABLE STANCHIONS & HANGERS TO BE PLACED BY HAWAIIAN TEL. CO.

NOTE #1: THIS ENVELOPE IS FOR M.H. 420 ONLY. FOR DEVELOPED VIEW #3 OF M.H. 419 USE DETAIL 'E' AND DIMENSIONS FROM DEVELOPED VIEW #1.

LOCATION OF MANHOLES:  
KALIHI STREET  
No. 419 - 1ST MANHOLE MAUKA OF BECKLEY ST.  
No. 420 - 2ND MANHOLE MAUKA OF BECKLEY ST.

**MANHOLE NO. 419 & 420**

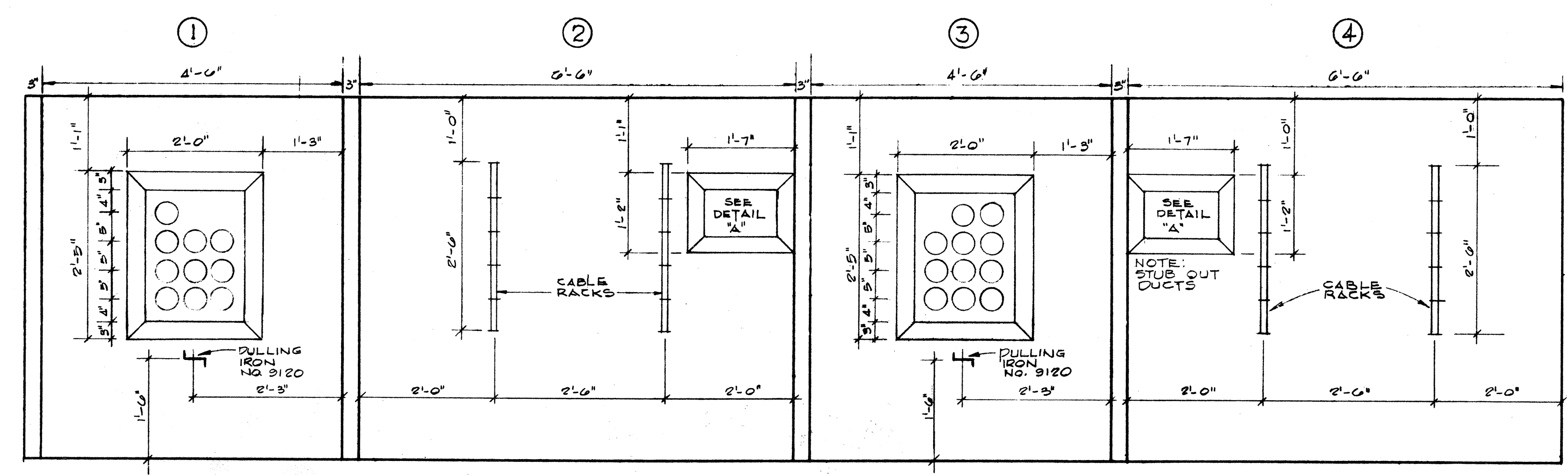
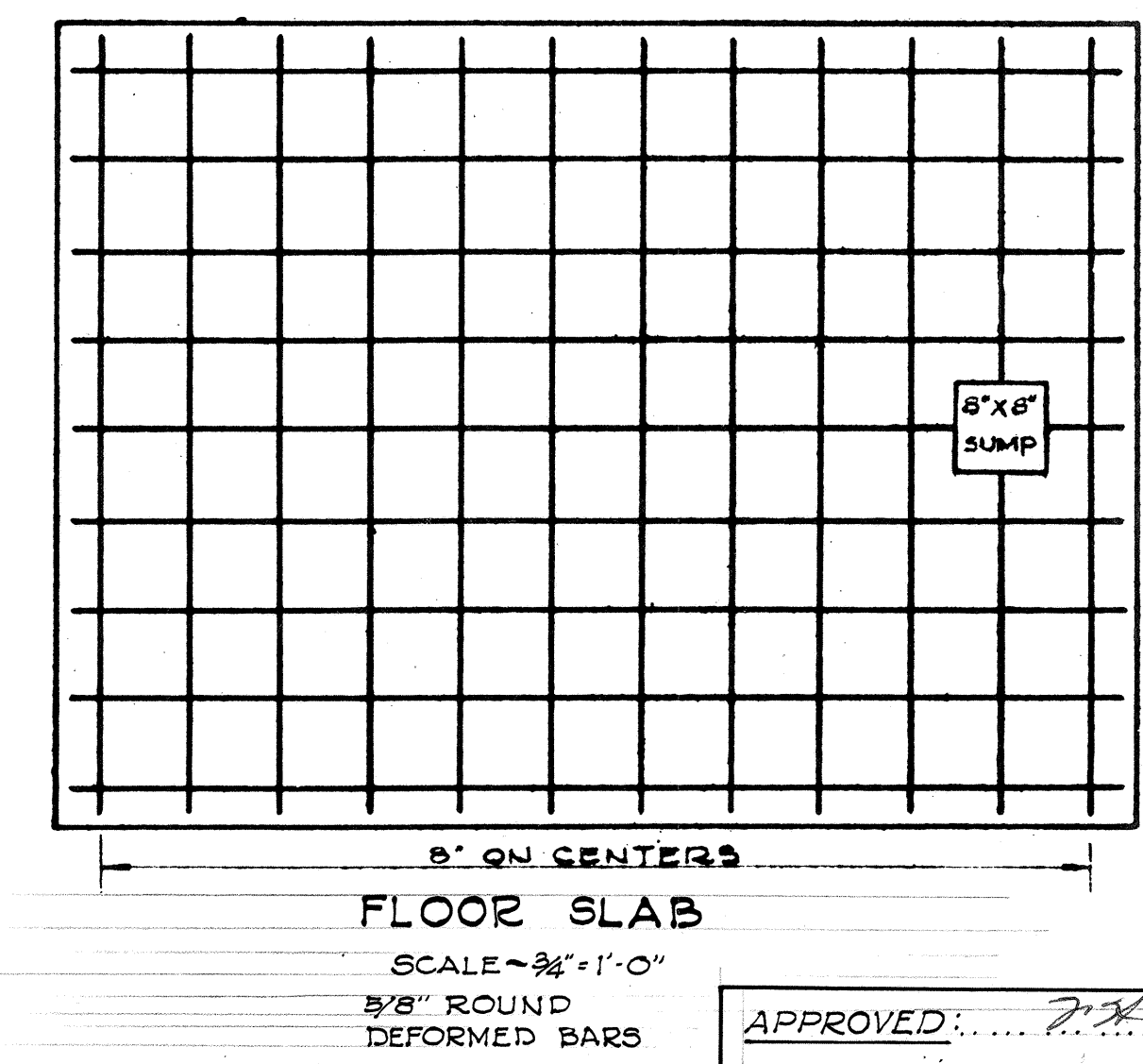
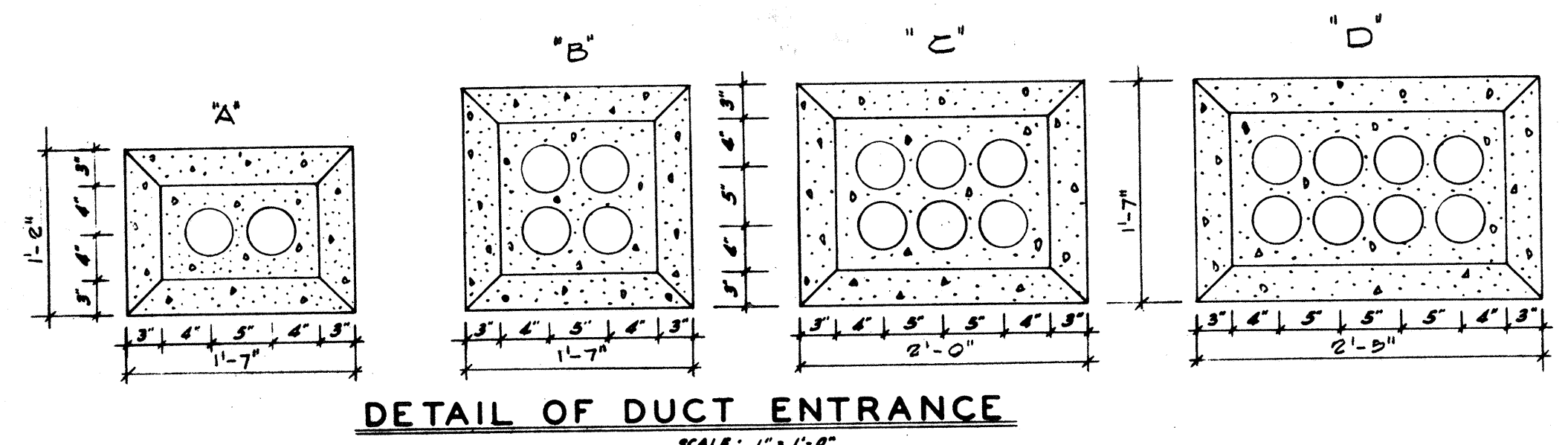
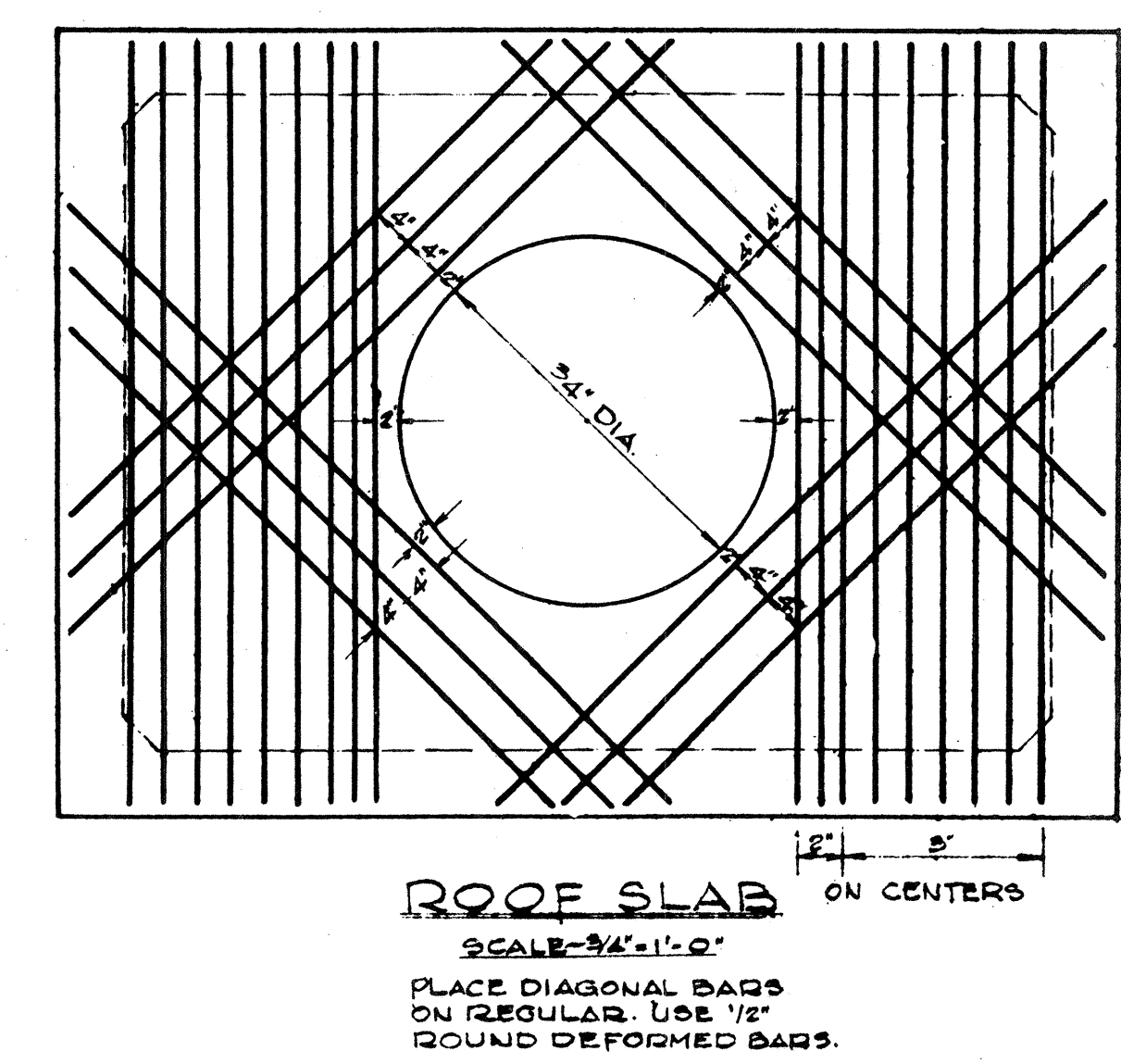
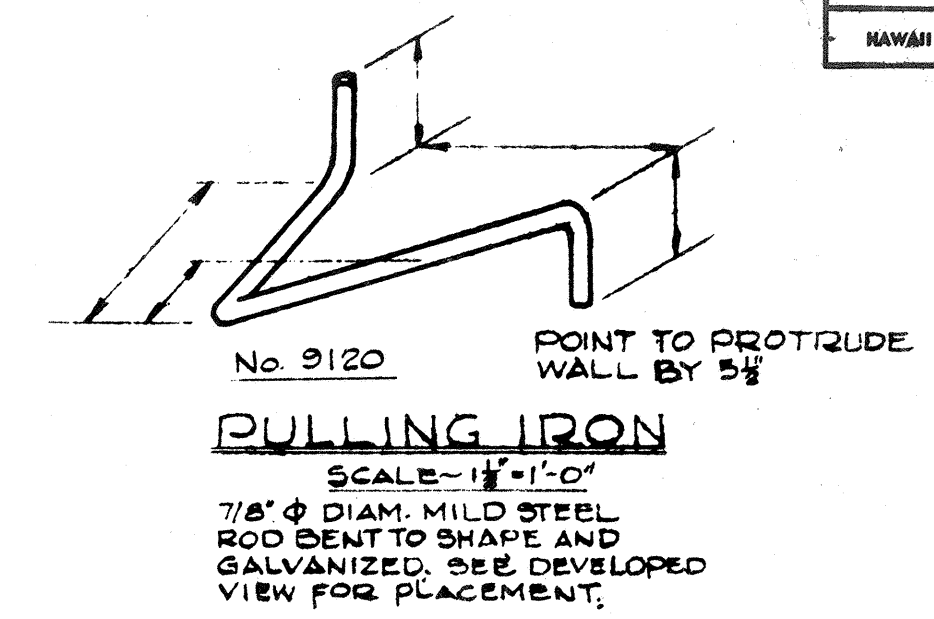
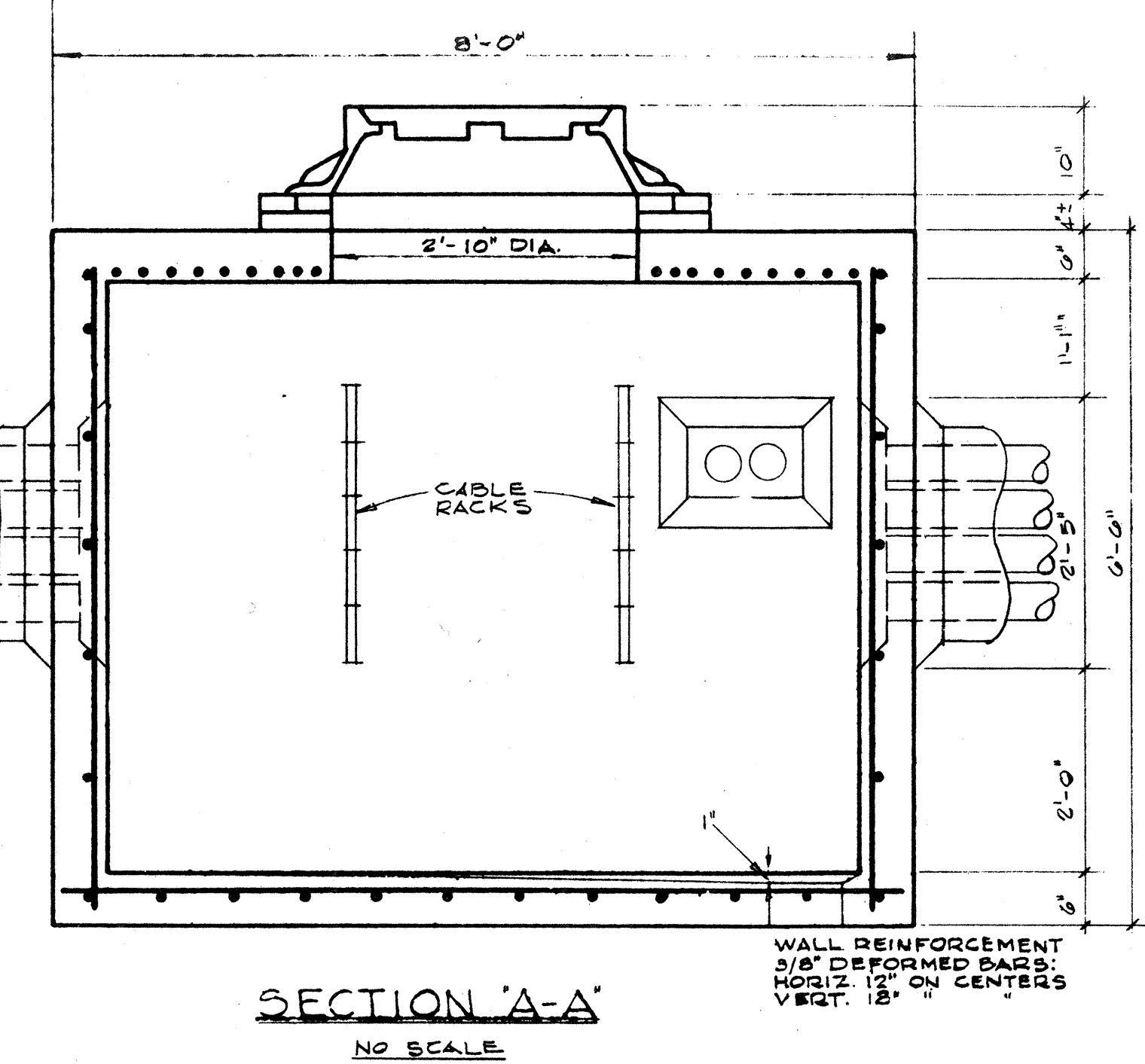
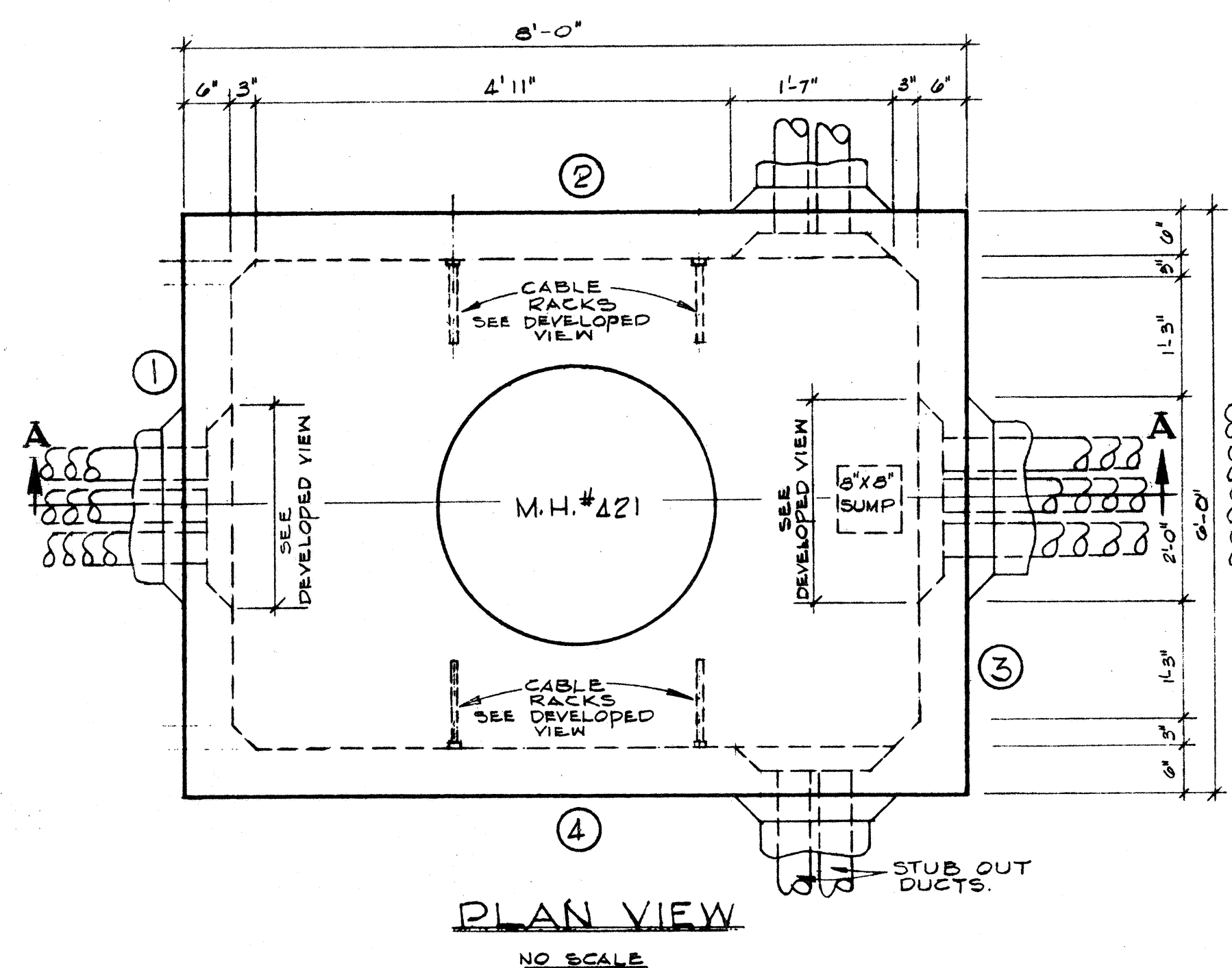
APPROVED: [Signature]  
DATE: 3-27-58

TERRITORIAL HIGHWAY DEPARTMENT  
TERRITORY OF HAWAII  
**HAWAIIAN TELEPHONE**  
**MANHOLE DETAILS**  
KALIHI STREET  
Scale: As Noted  
Feb. 1958

SHEET 2 OF 7 SHEETS



FED. ROAD DIST. No.	STATE	FED. AID PROJ. No.	FISCAL YEAR	SHEET No.	TOTAL SHEETS
HAWAII	HAW.	US-0630(2)	1958	G.1	103



NOTE: CABLE STANCHIONS & HANGERS TO BE PLACED BY HAWAIIAN TEL. CO.

APPROVED: *[Signature]*  
DATE: 2-27-58

TERRITORIAL HIGHWAY DEPARTMENT  
TERRITORY OF HAWAII

**HAWAIIAN TELEPHONE**

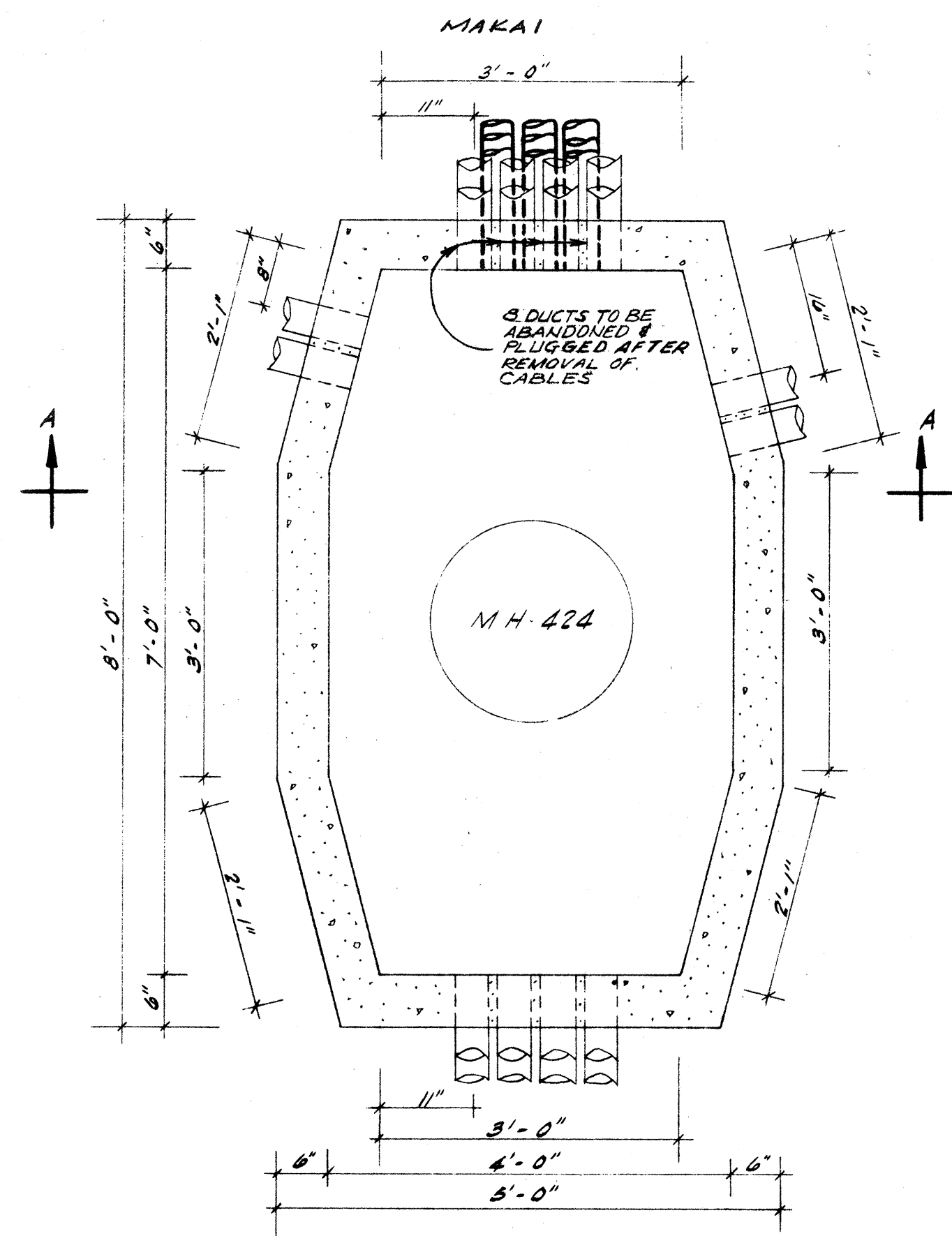
**MANHOLE DETAILS**

KALIHI STREET US-0630 (2)  
Scale: As Noted Feb. 1958

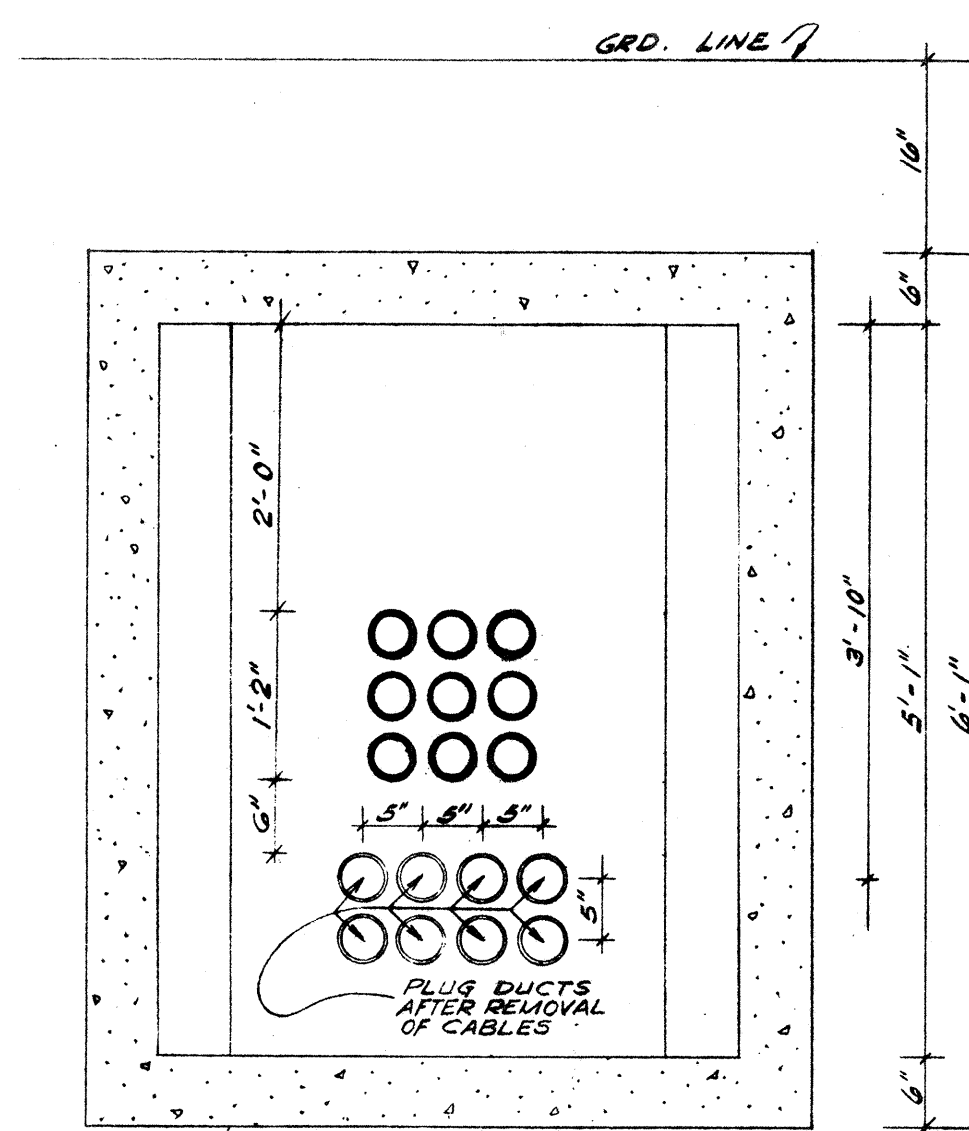
LOCATION OF MANHOLE:  
KALIHI STREET  
NO. 421 3RD. MANHOLE MAUKA OF BECKLEY ST.

**MANHOLE NO. 421**

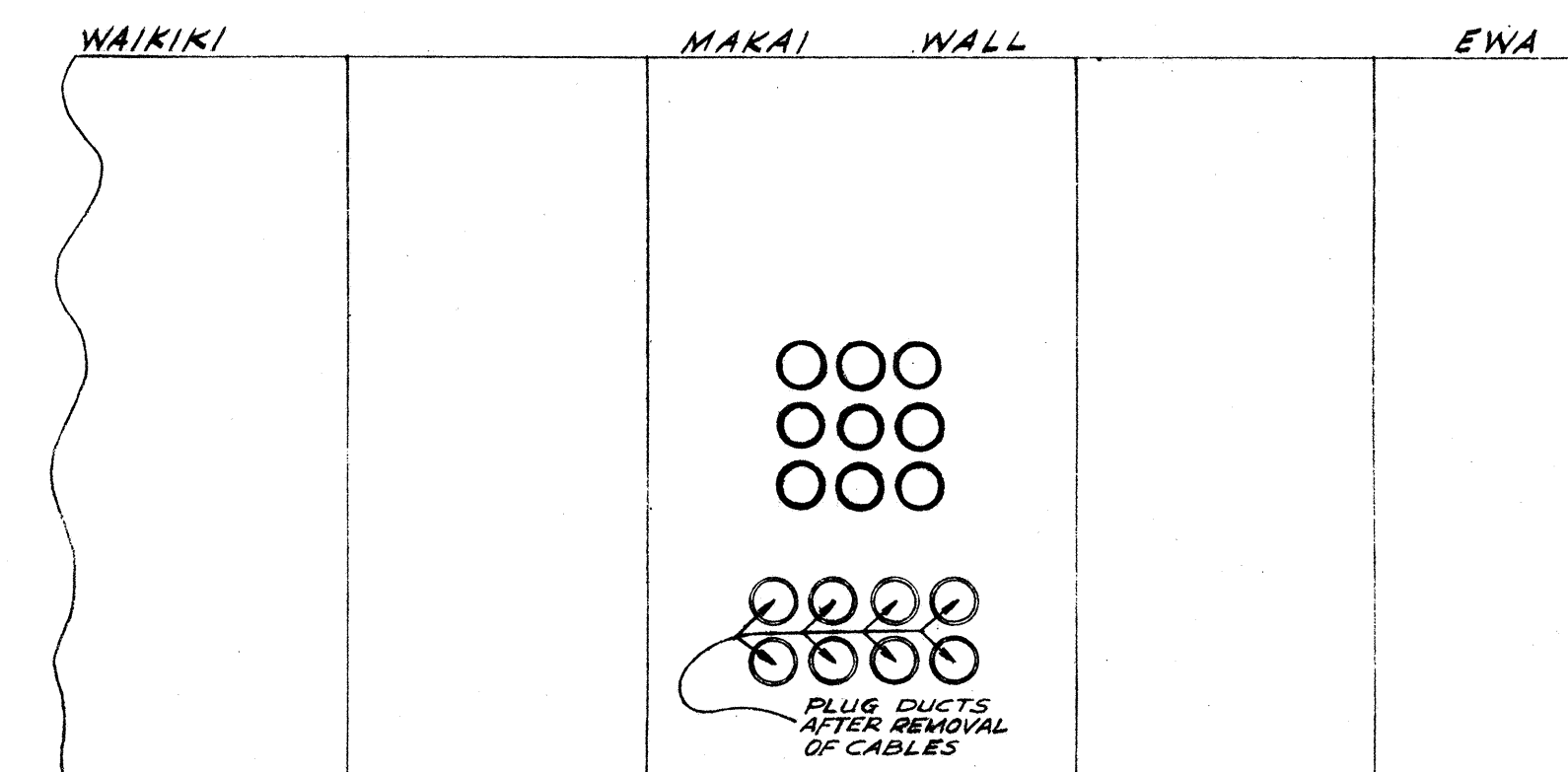
FED. ROAD DIST. No.	STATE	FED. AID PROJ. No.	FISCAL YEAR	SHEET No.	TOTAL SHEETS
HAWAII	HAW.	US-0630(2)	1958	62	103



PLAN VIEW  
SCALE: 3/4" = 1'-0"



SECTION "A-A"  
SCALE: 3/4" = 1'-0"



DEVELOPED VIEW OF MAKAI WALLS  
SCALE: 3/4" = 1'-0"

APPROVED: *T. H. Spalding*  
DATE: 3-25-58

TERRITORIAL HIGHWAY DEPARTMENT  
TERRITORY OF HAWAII  
HAWAIIAN TELEPHONE  
MANHOLE DETAILS  
KALIHI STREET US-0630 (2)  
Scale: As Noted Feb. 1958

MANHOLE NO. 424

SHEET 4 OF 7 SHEETS

5984.62