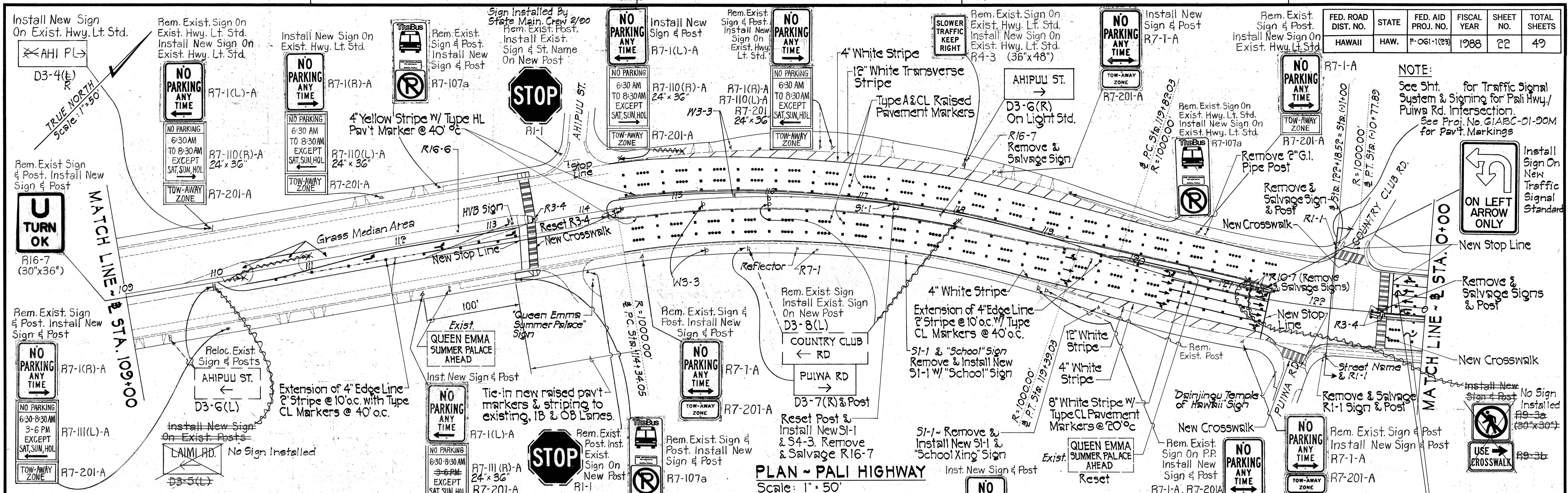


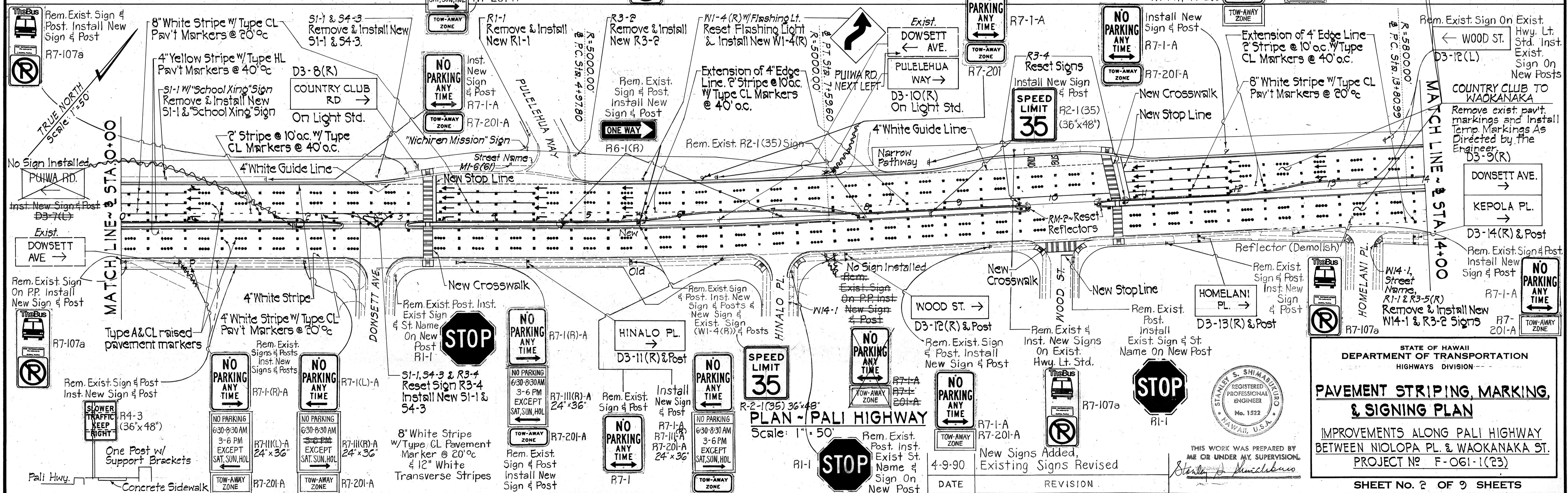


FED. ROAD DIST. NO.	STATE	FED. AID PROJ. NO.	FISCAL YEAR	SHEET NO.	TOTAL SHEETS
HAWAII	HAW.	F-061-1(23)	1988	22	49

NOTE:  
See Sht. for Traffic Signal System & Signing for Pali Hwy./Puiwa Rd. Intersection.  
See Proj. No. GIABC-01-20M for Pav't. Markings

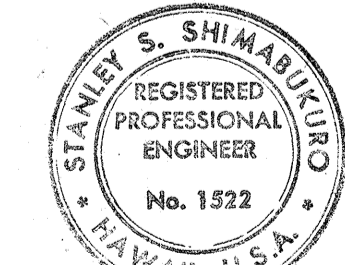


PLAN - PALI HIGHWAY  
Scale: 1" = 50'



PLAN - PALI HIGHWAY  
Scale: 1" = 50'

DATE	REVISION



STATE OF HAWAII  
DEPARTMENT OF TRANSPORTATION  
HIGHWAYS DIVISION

**PAVEMENT STRIPING, MARKING & SIGNING PLAN**

IMPROVEMENTS ALONG PALI HIGHWAY  
BETWEEN NIOLOPA PL. & WAOKANAKA ST.  
PROJECT NO. F-061-1(23)

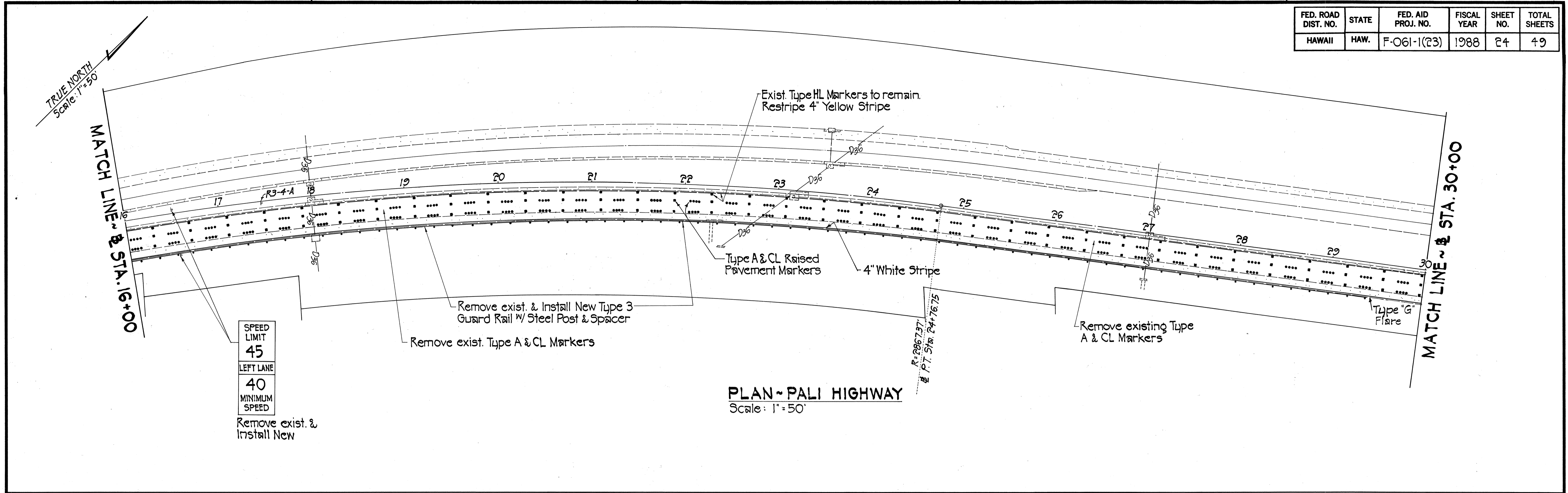
SHEET NO. 2 OF 9 SHEETS

THIS WORK WAS PREPARED BY ME OR UNDER MY SUPERVISION.  
Stanley S. Shimabukuro

DATE	REVISION
4-9-90	New Signs Added, Existing Signs Revised

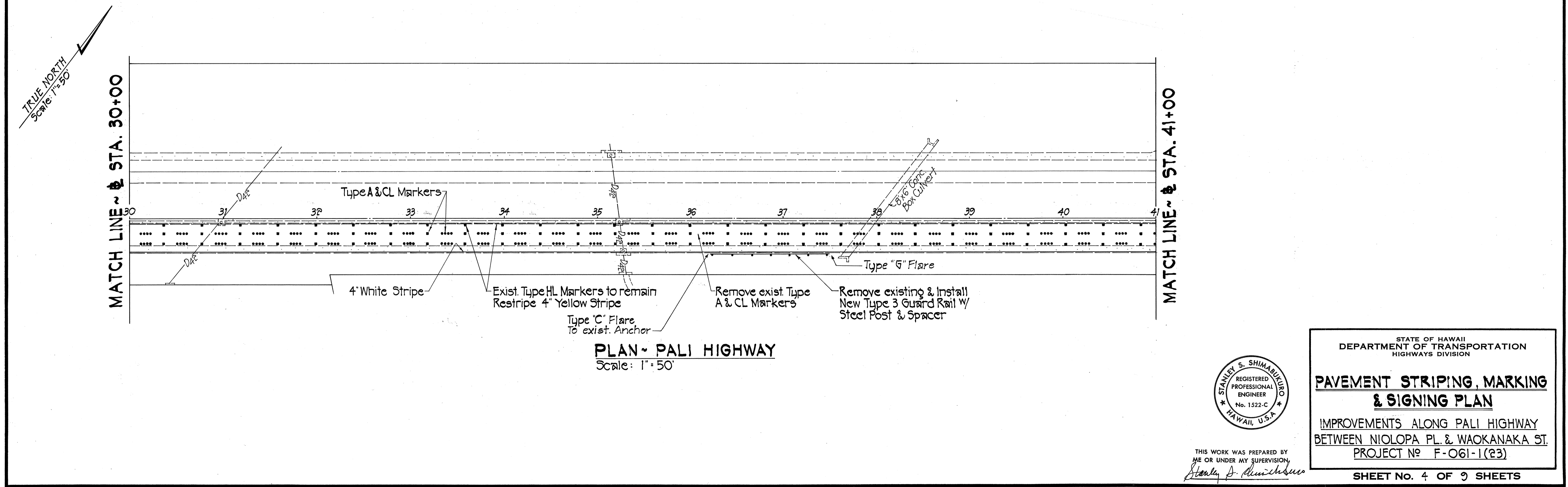


FED. ROAD DIST. NO.	STATE	FED. AID PROJ. NO.	FISCAL YEAR	SHEET NO.	TOTAL SHEETS
HAWAII	HAW.	F-061-1(23)	1988	24	49



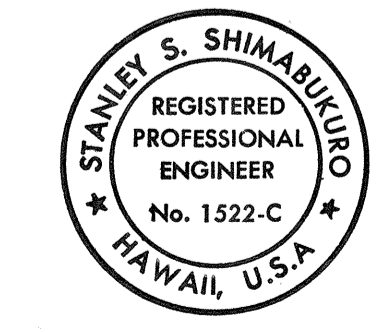
SPEED LIMIT  
45  
LEFT LANE  
40  
MINIMUM SPEED  
Remove exist. & Install New

PLAN - PALI HIGHWAY  
Scale: 1" = 50'



PLAN - PALI HIGHWAY  
Scale: 1" = 50'

DATE	_____
SURVEY PLOTTED BY	_____
DRAWN BY	_____
DESIGNED BY	_____
QUANTITIES BY	_____
CHECKED BY	_____
ORIGINAL PLAN	_____
NOTE BOOK	_____
No.	_____



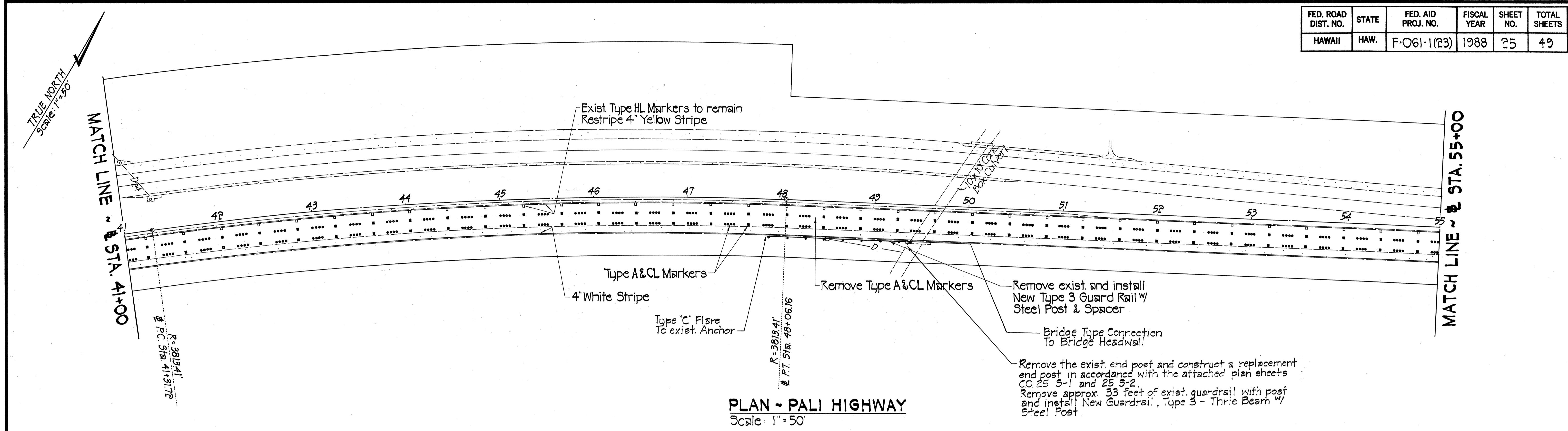
THIS WORK WAS PREPARED BY ME OR UNDER MY SUPERVISION  
*Stanley S. Shimabuku*

STATE OF HAWAII  
DEPARTMENT OF TRANSPORTATION  
HIGHWAYS DIVISION

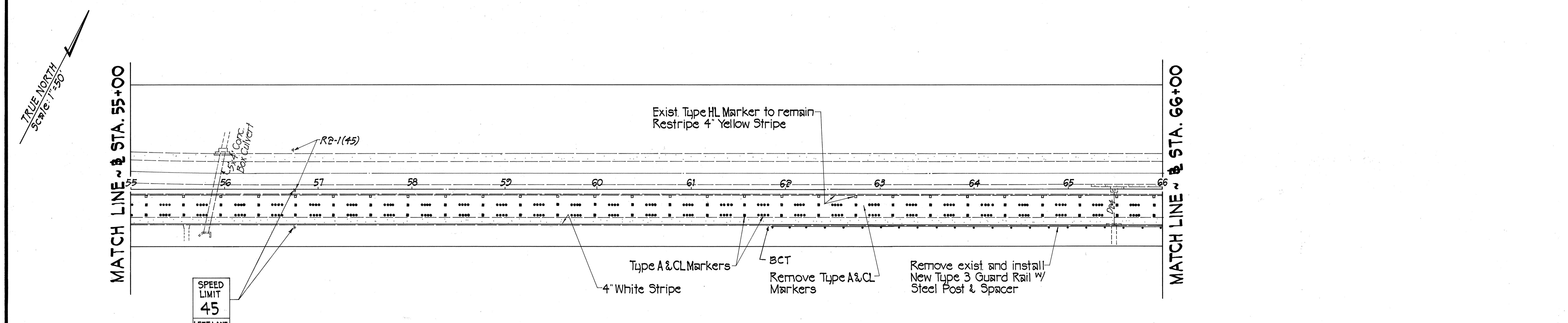
**PAVEMENT STRIPING, MARKING & SIGNING PLAN**

IMPROVEMENTS ALONG PALI HIGHWAY  
BETWEEN NIOLOPA PL. & WAOKANAKA ST.  
PROJECT NO F-061-1(23)

FED. ROAD DIST. NO.	STATE	FED. AID PROJ. NO.	FISCAL YEAR	SHEET NO.	TOTAL SHEETS
HAWAII	HAW.	F-061-1(23)	1988	25	49



**PLAN - PALI HIGHWAY**  
Scale: 1" = 50'



**PLAN - PALI HIGHWAY**  
Scale: 1" = 50'

DATE	_____
SURVEY PLOTTED BY	_____
DRAWN BY	_____
TRACED BY	_____
DESIGNED BY	_____
QUANTITIES BY	_____
CHECKED BY	_____
ORIGINAL PLAN	_____
NOTE BOOK	_____
No.	_____

SPEED LIMIT  
**45**

LEFT LANE  
**40**

MINIMUM SPEED

Remove exist. & install New



THIS WORK WAS PREPARED BY ME OR UNDER MY SUPERVISION.  
*Stanley S. Shimabukuro*

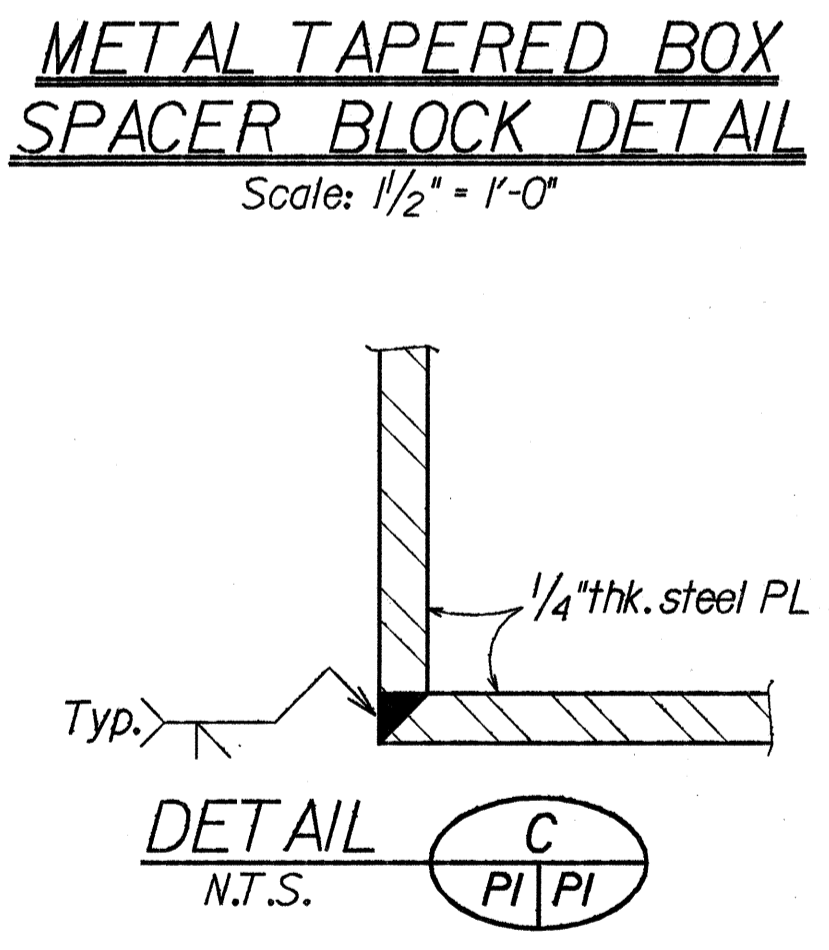
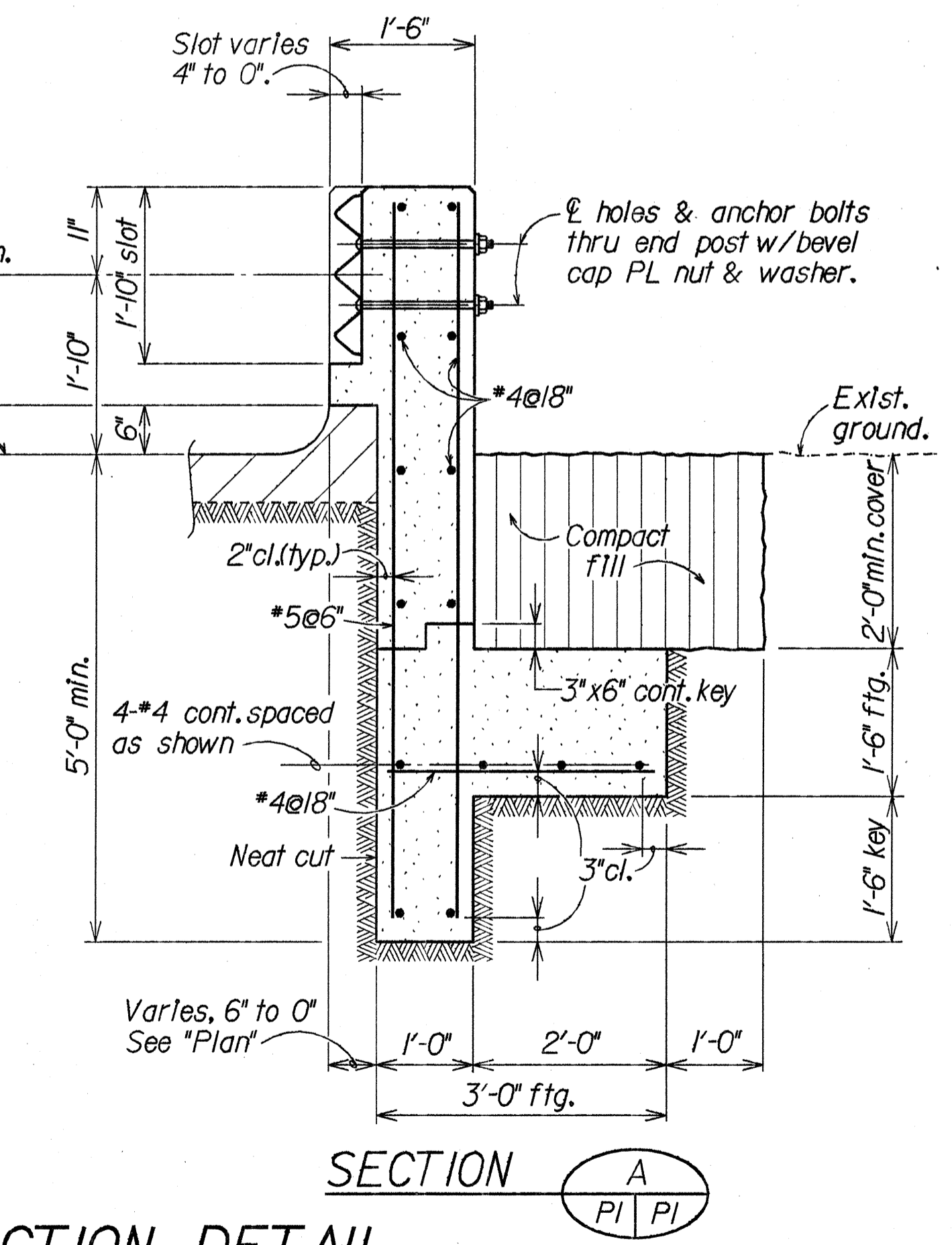
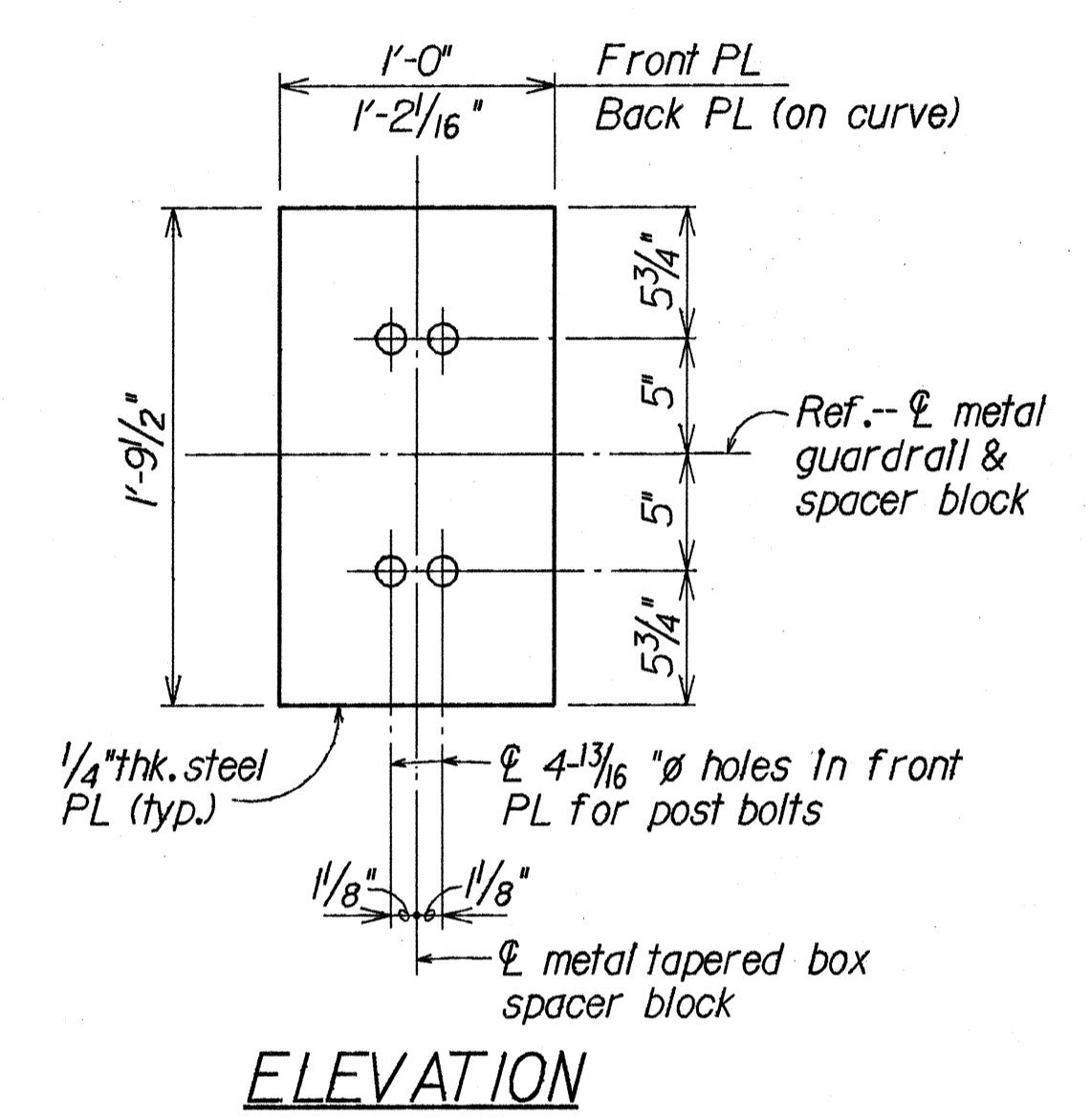
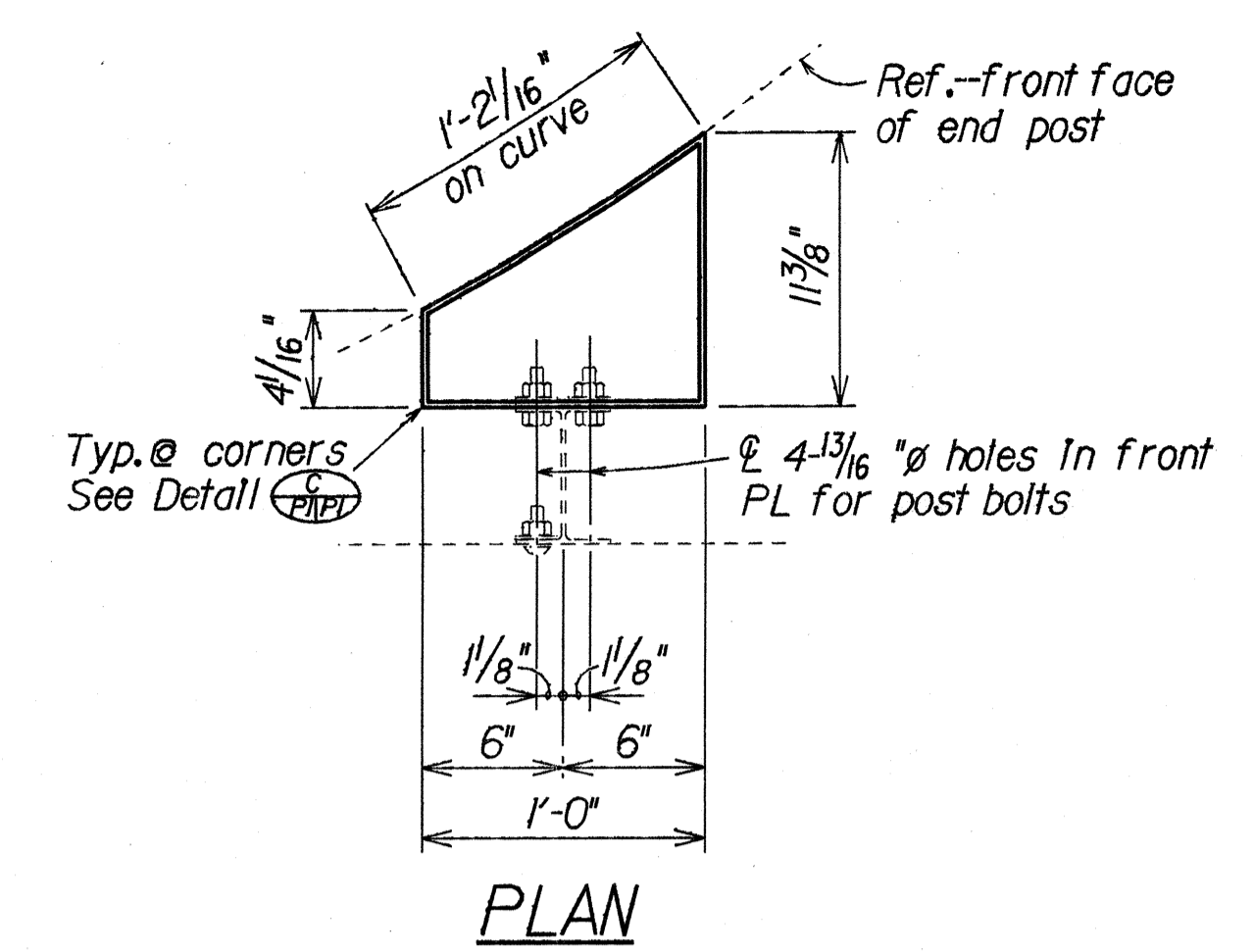
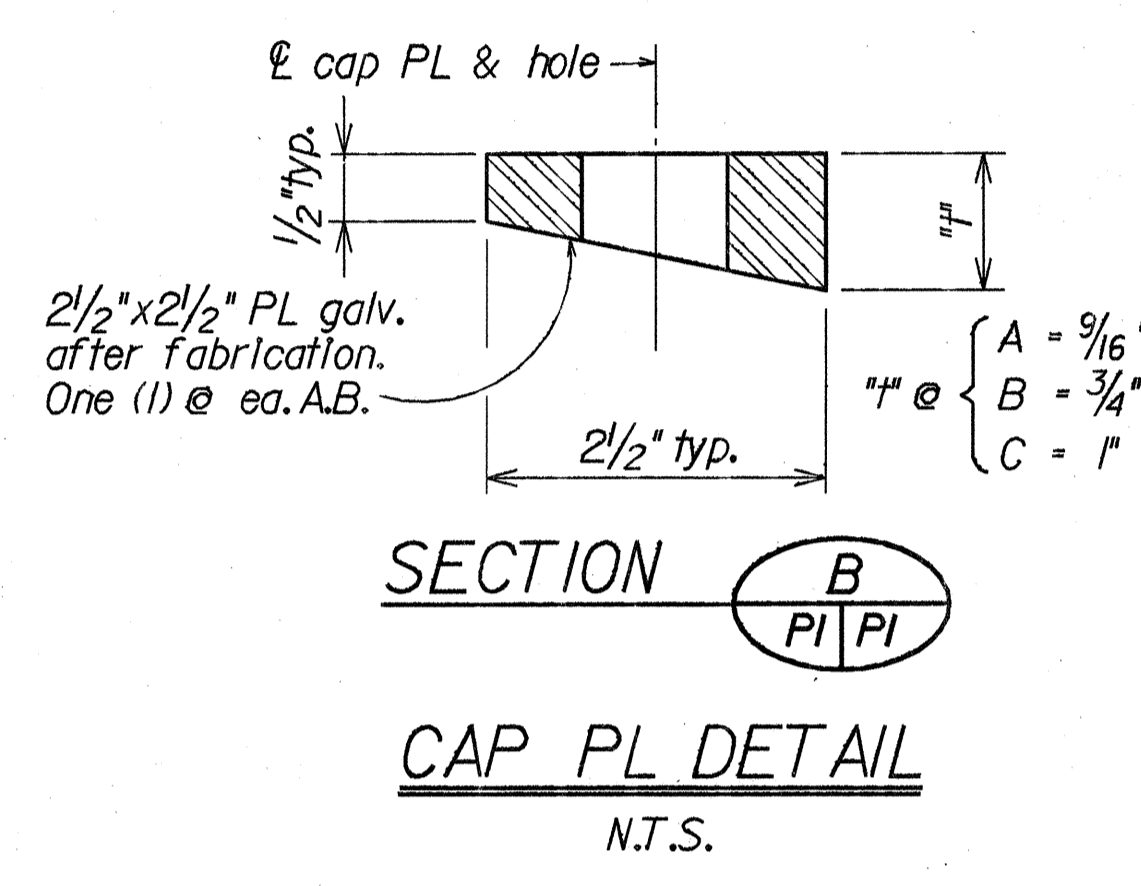
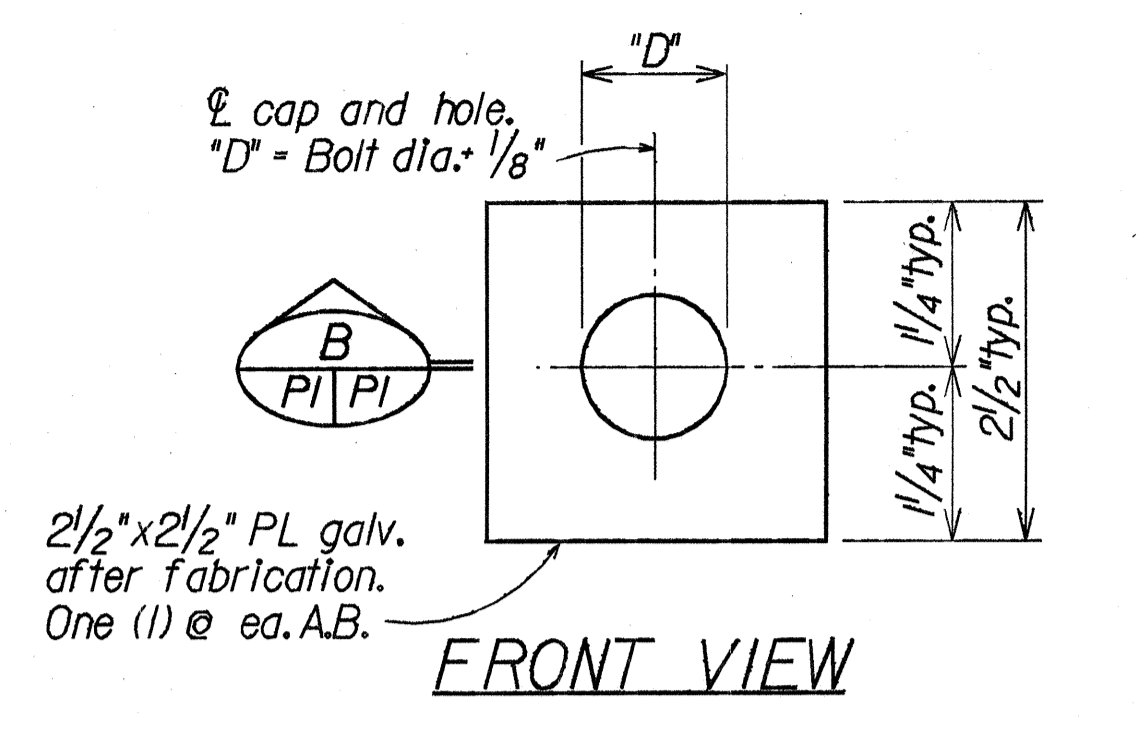
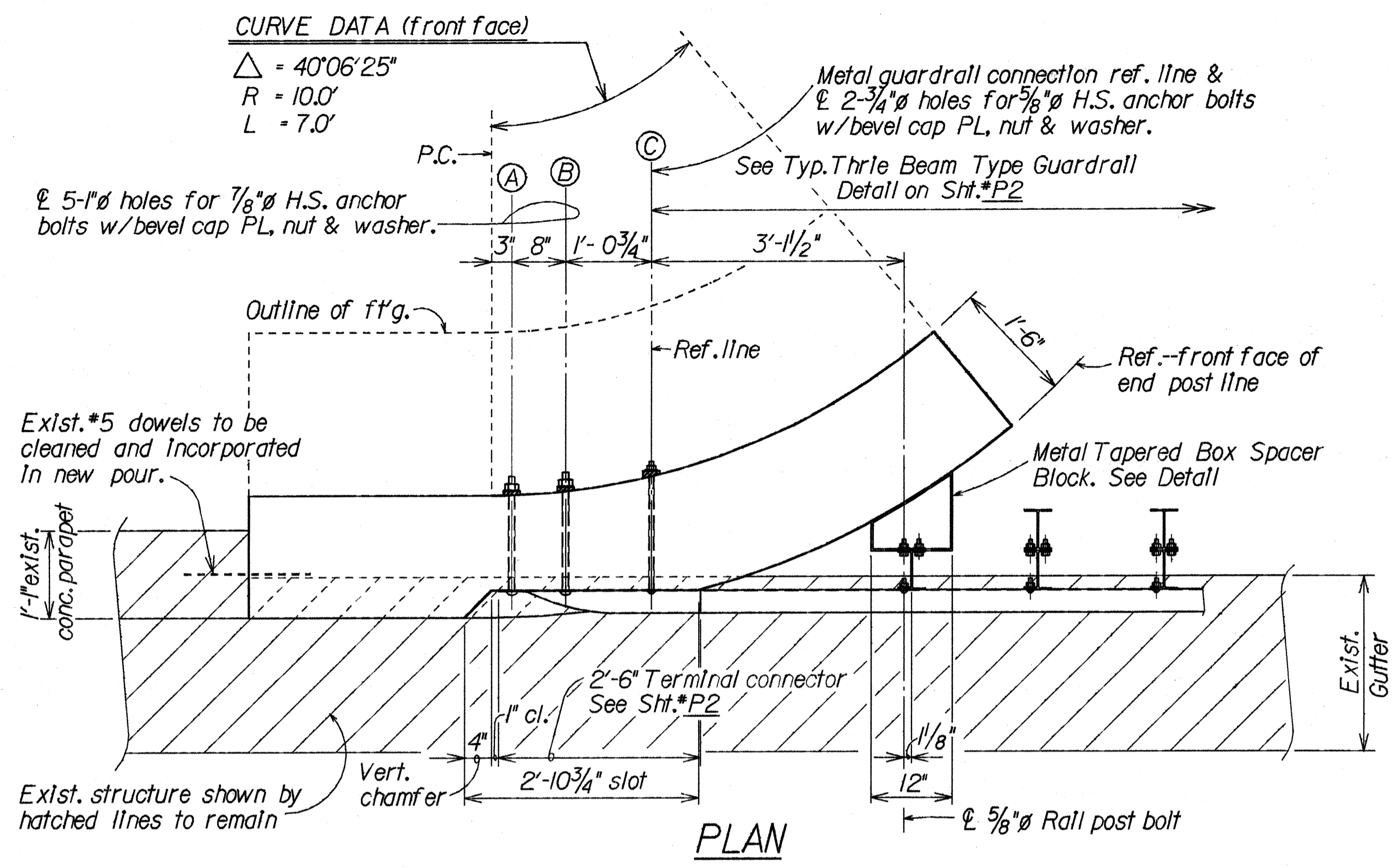
STATE OF HAWAII  
DEPARTMENT OF TRANSPORTATION  
HIGHWAYS DIVISION

**PAVEMENT STRIPING, MARKING & SIGNING PLAN**

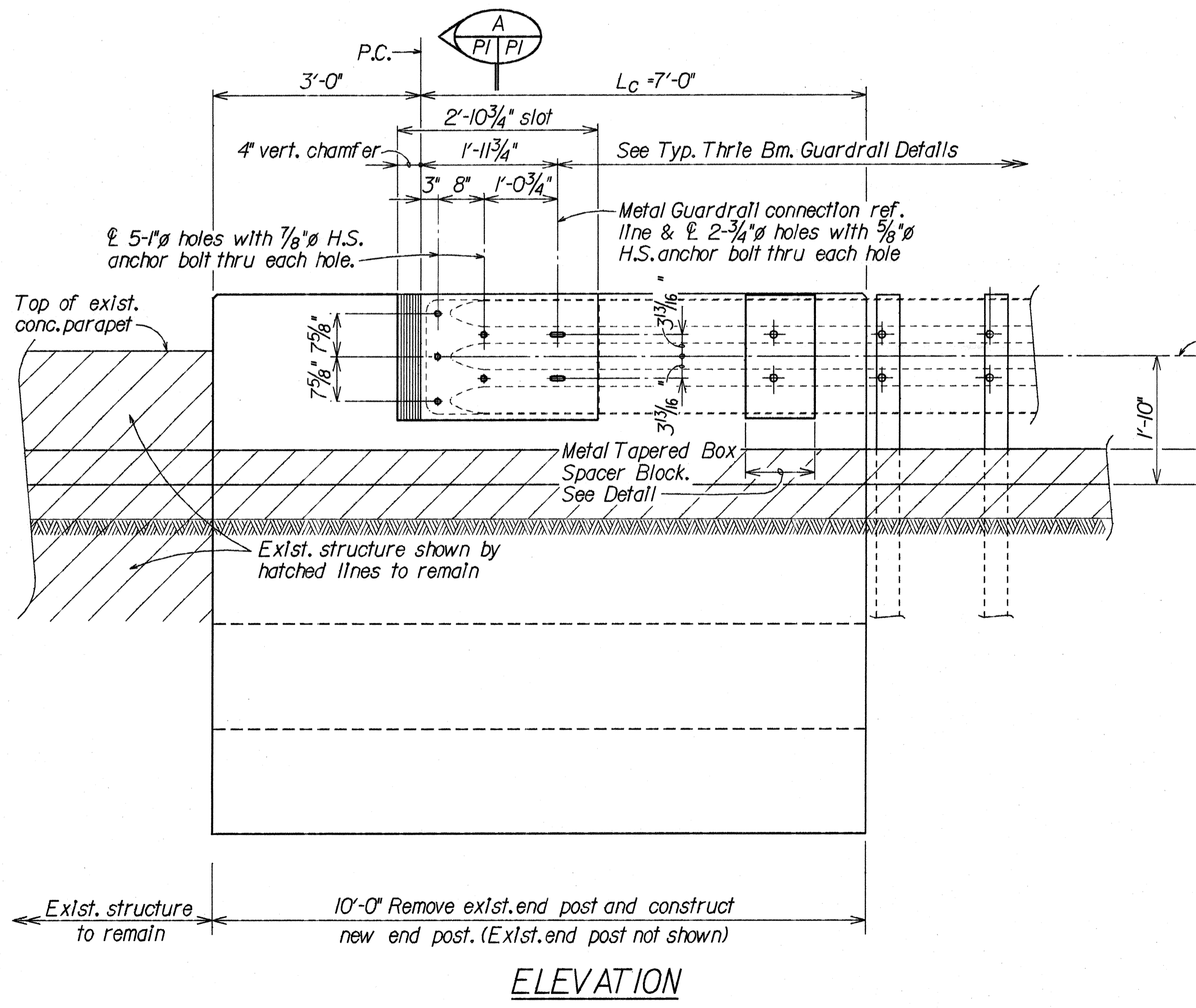
IMPROVEMENTS ALONG PALI HIGHWAY  
BETWEEN NIOLOPA PL. & WAOKANAKA ST.  
PROJECT NO. F-061-1(23)

SHEET NO. 5 OF 9 SHEETS

FED. ROAD DIST. NO.	STATE	FED. AID PROJ. NO.	FISCAL YEAR	SHEET NO.	TOTAL SHEETS
HAWAII	HAW.	F-061-1 (23)	1990	C.O.25S-1	49



- NOTES:**
1. Cap PL and tapered box spacer block shall be fabricated from ASTM A36 steel and hot-dip galvanized after fabrication.
  2. Cap PL(s), tapered box spacer block, anchor bolts including nuts and washers and other appurtenances shall be incidental to beam type guardrail and will not be paid for separately.



**REPLACEMENT END POST CONNECTION DETAIL**  
 Scale: 3/4" = 1'-0"

DESIGNED BY	DATE
DRAWN BY	JUL 1989
CHECKED BY	JUL 1989
APPROVED BY	JUL 1989
ORIGINAL PLAN	DATE
NO. 1	JUL 1989
NO. 2	JUL 1989
NO. 3	JUL 1989
NO. 4	JUL 1989
NO. 5	JUL 1989
NO. 6	JUL 1989
NO. 7	JUL 1989
NO. 8	JUL 1989
NO. 9	JUL 1989
NO. 10	JUL 1989

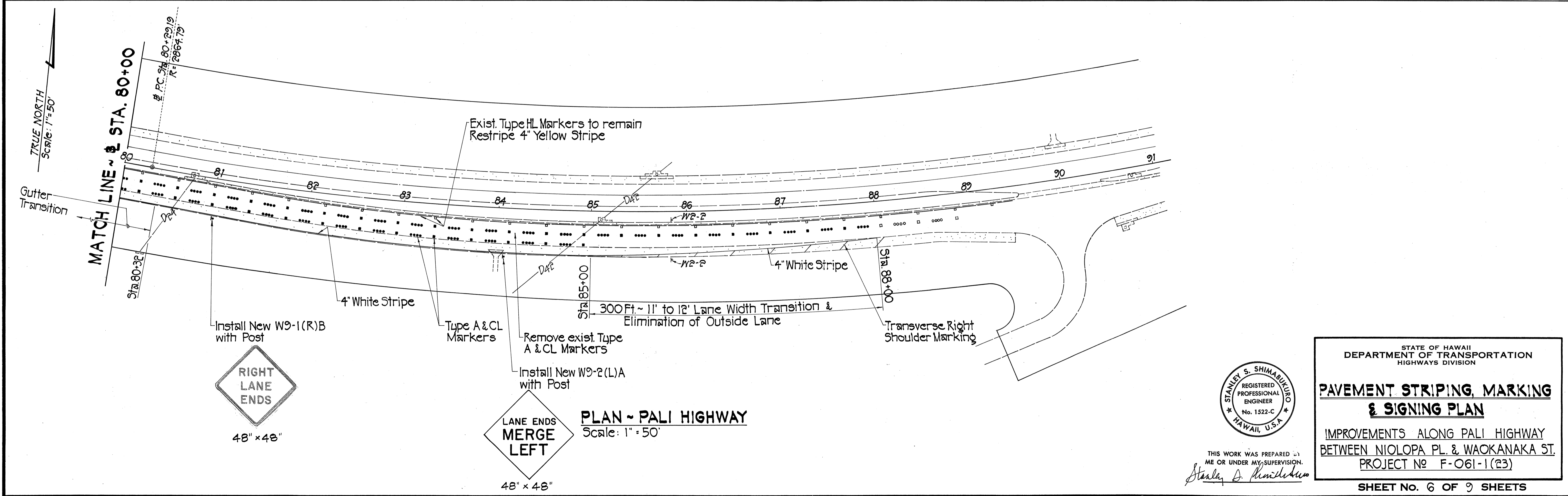
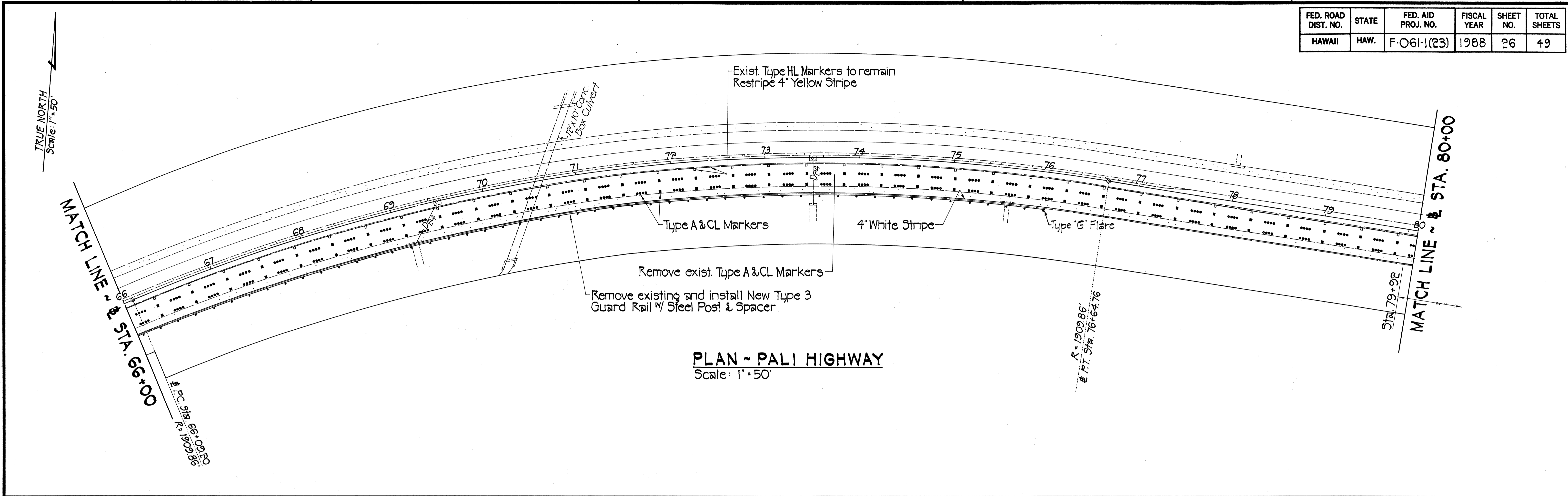
STATE OF HAWAII  
 DEPARTMENT OF TRANSPORTATION  
 HIGHWAYS DIVISION

**REPLACEMENT END POST**  
 IMPROVEMENTS ALONG PALI HIGHWAY BETWEEN  
 NIOLOPA PLACE AND WAKANAKA STREET  
 F.A.P. No. F-061-1 (23)

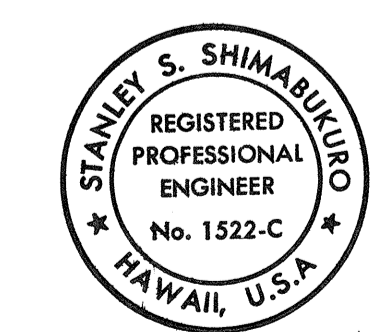
Scale: As Noted Date: July 1989



FED. ROAD DIST. NO.	STATE	FED. AID PROJ. NO.	FISCAL YEAR	SHEET NO.	TOTAL SHEETS
HAWAII	HAW.	F-061-1(23)	1988	26	49



DATE	_____
SURVEY PLOTTED BY	_____
ORIGINAL PLAN	_____
DRAWN BY	_____
DESIGNED BY	_____
CHECKED BY	_____
NOTE BOOK	_____
No.	_____



THIS WORK WAS PREPARED BY  
ME OR UNDER MY SUPERVISION.  
*Stanley S. Shimabukuro*

STATE OF HAWAII  
DEPARTMENT OF TRANSPORTATION  
HIGHWAYS DIVISION

**PAVEMENT STRIPING, MARKING  
& SIGNING PLAN**

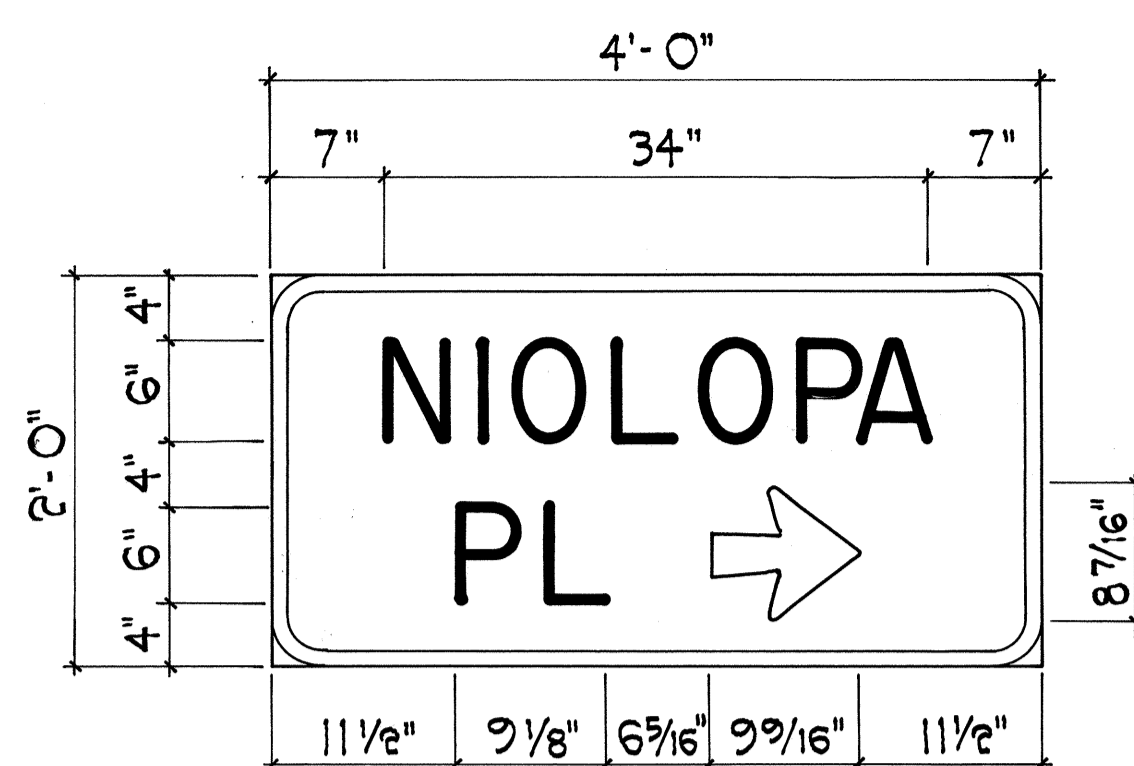
IMPROVEMENTS ALONG PALI HIGHWAY  
BETWEEN NIOLOPA PL. & WAOKANAKA ST.  
PROJECT NO. F-061-1(23)

SHEET No. 6 OF 9 SHEETS

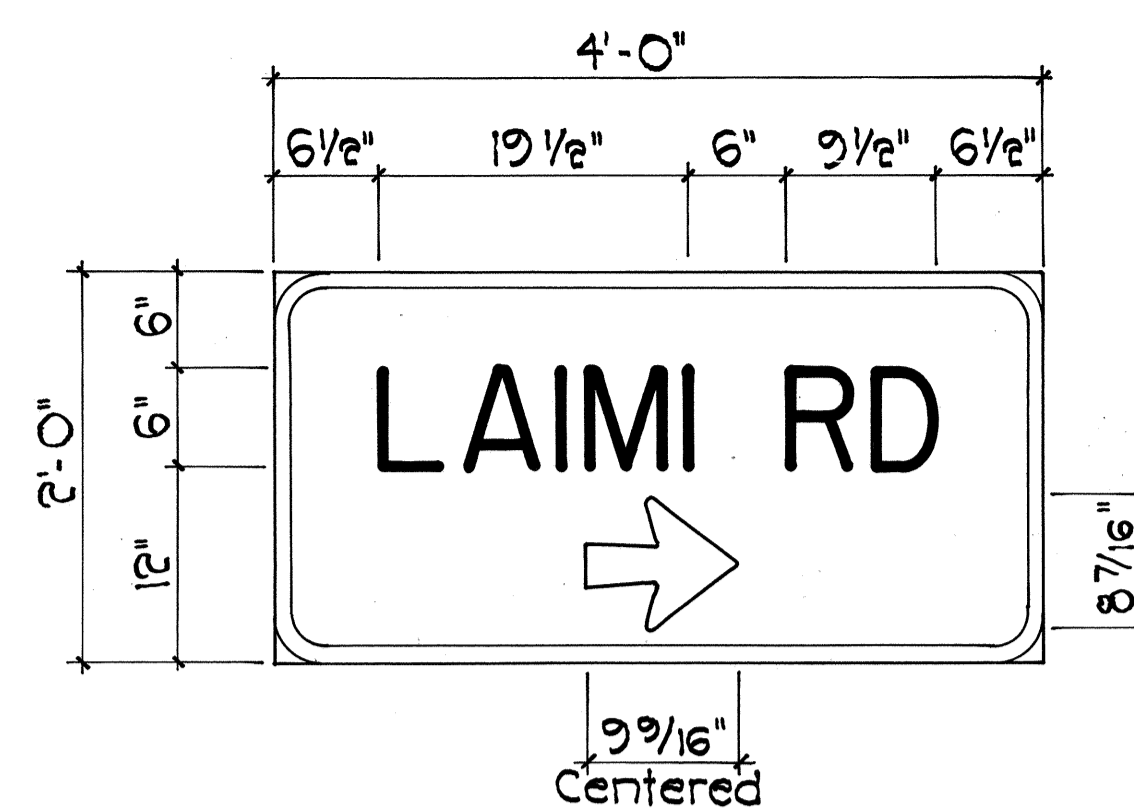
FED. ROAD DIST. NO.	STATE	FED. AID PROJ. NO.	FISCAL YEAR	SHEET NO.	TOTAL SHEETS
HAWAII	HAW.	F-061-1(23)	1988	27	49

**STREET NAME SIGN NOTES:**

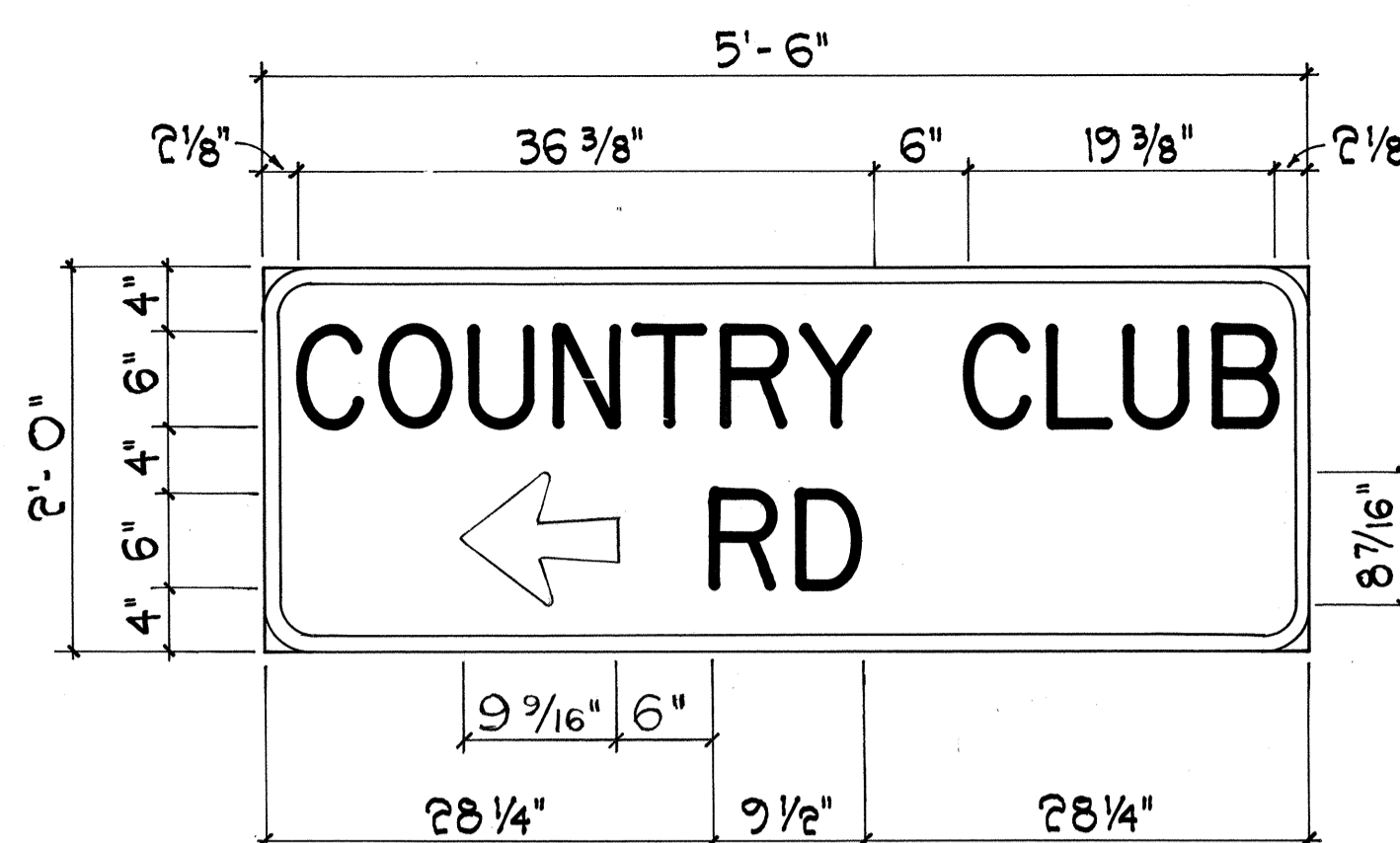
- Street name signs shall conform to the latest FHWA publications: "Manual on Uniform Traffic Control Devices for Streets & Highways" & as amended "Standard Alphabets for Highway Signs".
- Letters:
  - Series D Upper Case
  - Color:
    - Letters } White Reflective Sheeting on Demountable
    - Borders } Aluminum Cut-Outs fastened to Sign Panel
    - Arrows } With Aluminum Blind Rivets.
  - Sign Panel:
    - 0.100" TH Sheet Aluminum
- If splicing of Sign Panel is necessary, Contractor shall submit Splice details to the Engineer for approval.
- For Typical Frame Layout & Mounting Details, see "Unbalanced Sign Installation" Sht. No 29



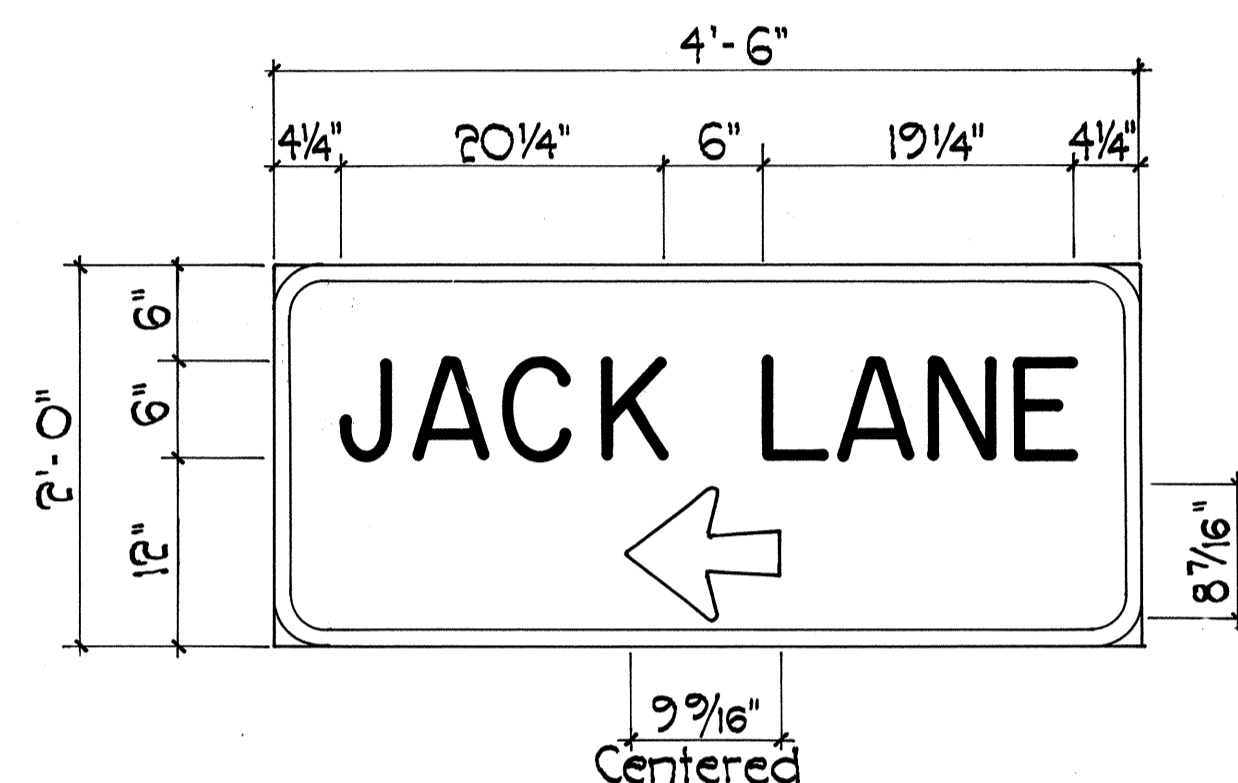
D3-1(R)  
D3-1(L)



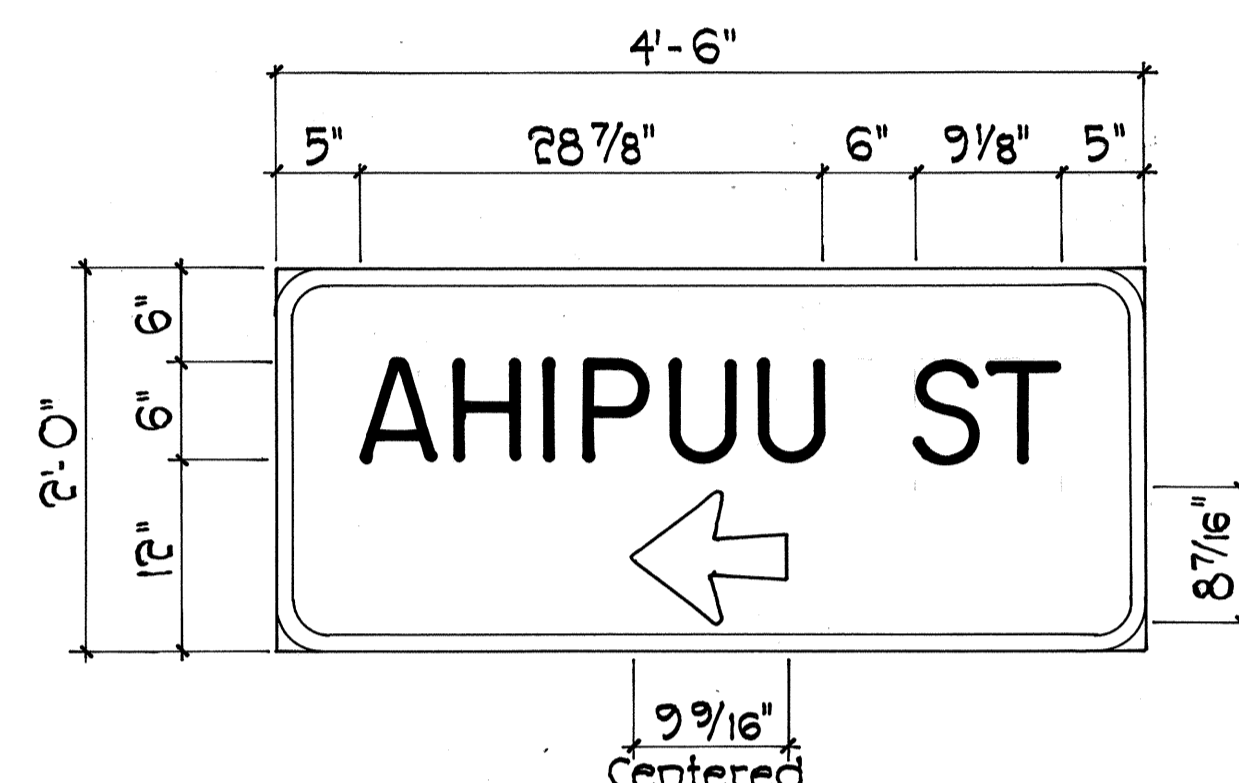
D3-5(R)  
D3-5(L)



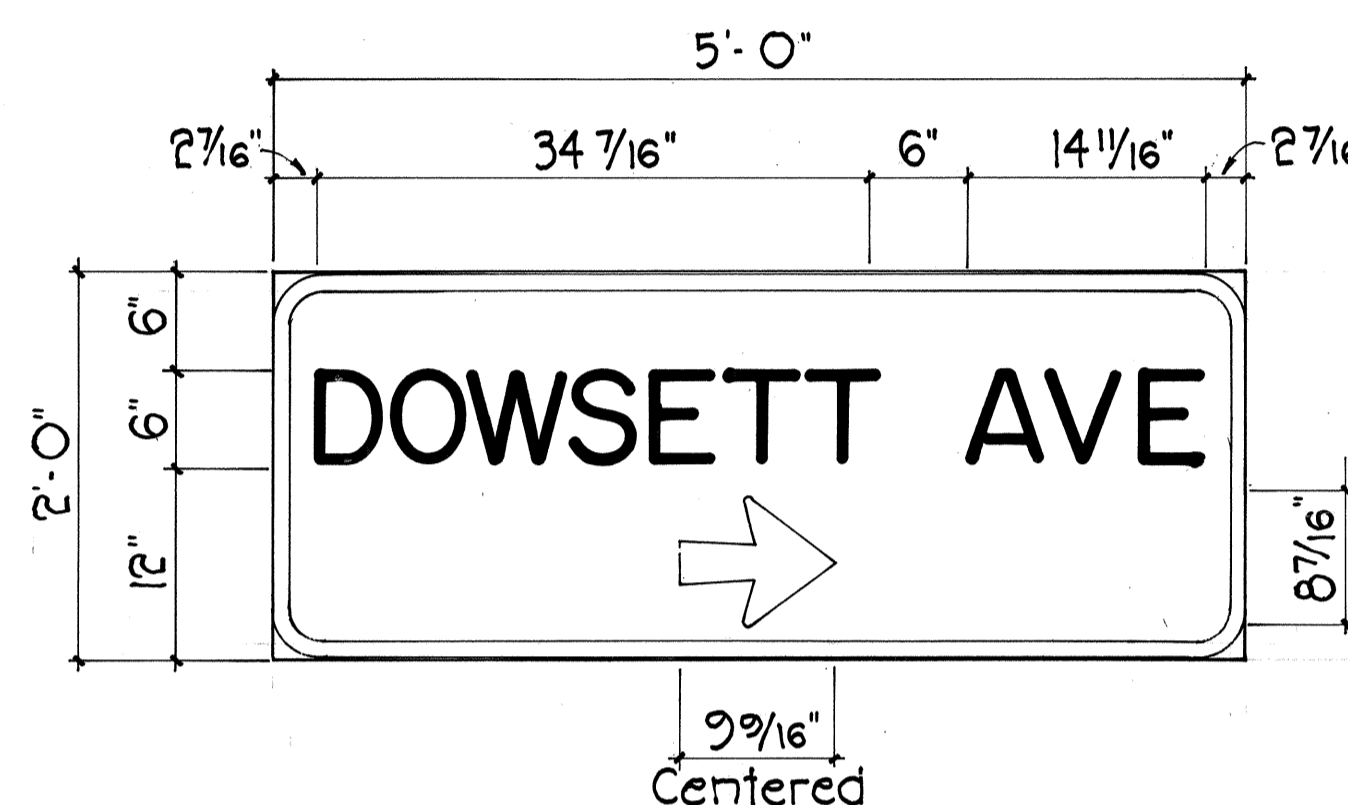
D3-8(L)  
D3-8(R)



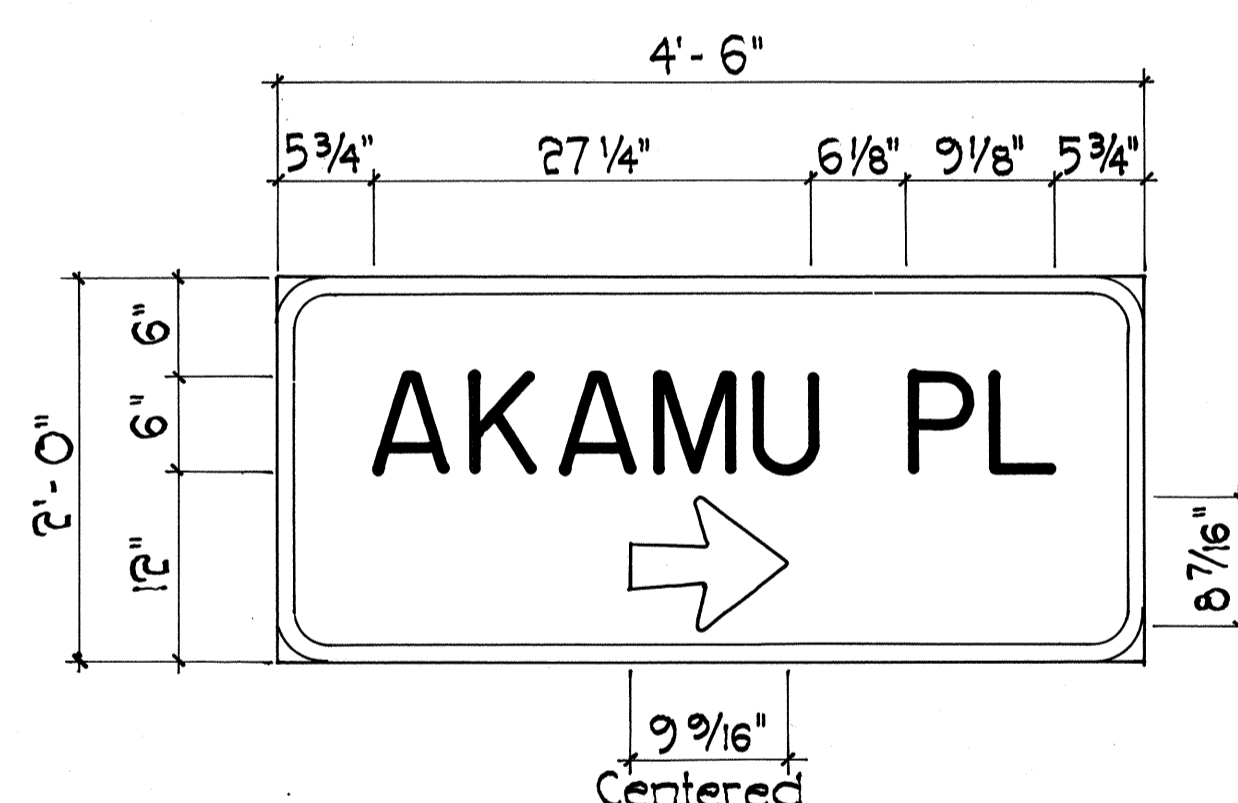
D3-2(L)  
D3-2(R)



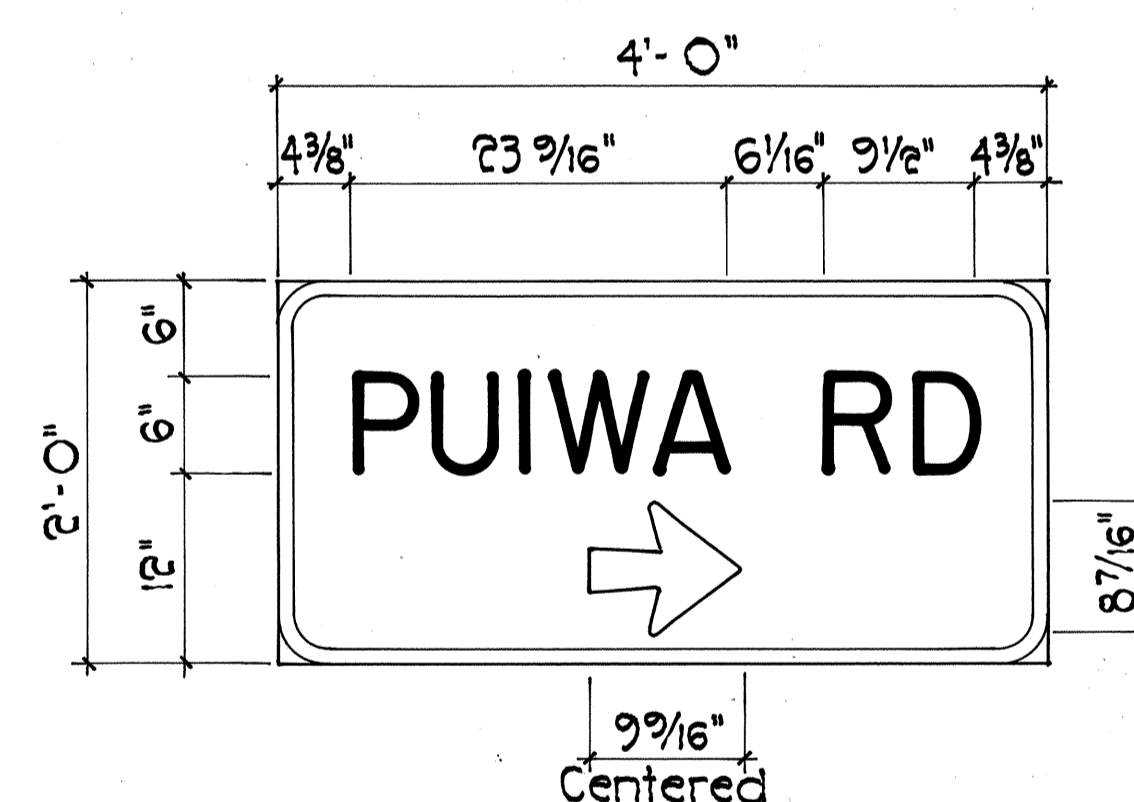
D3-6(L)  
D3-6(R)



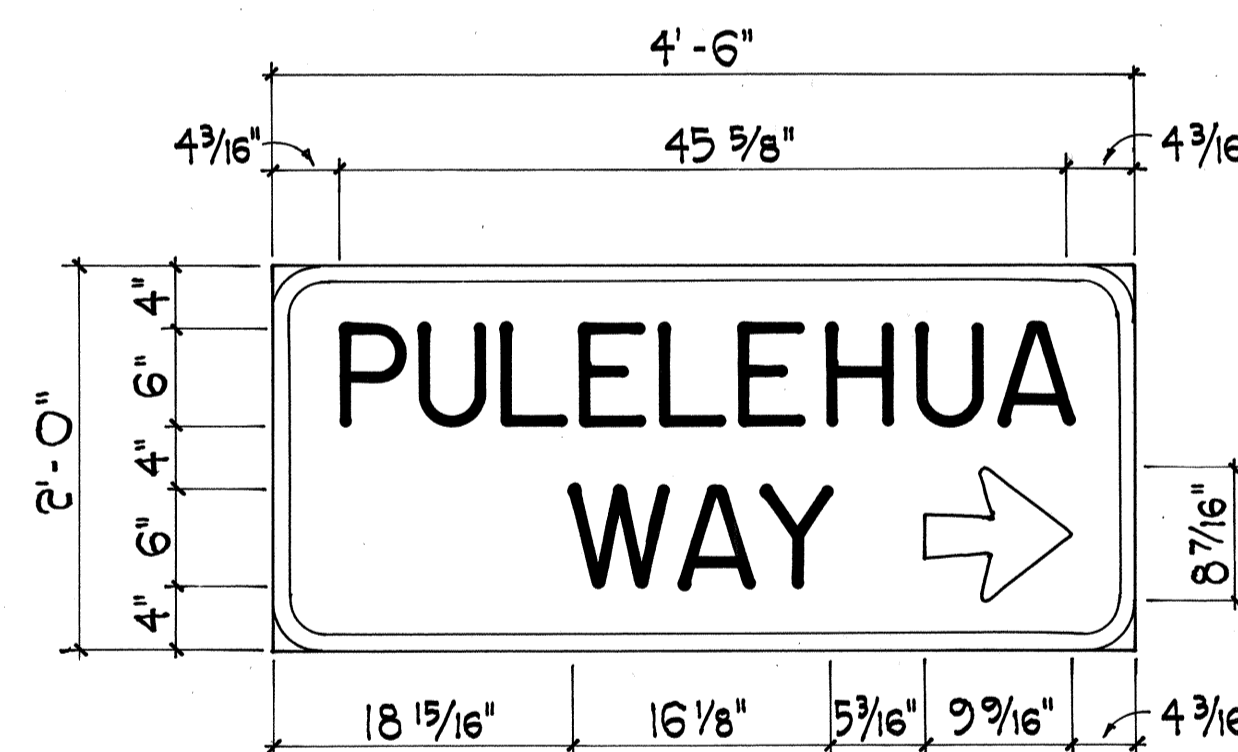
D3-9(R)  
D3-9(L)



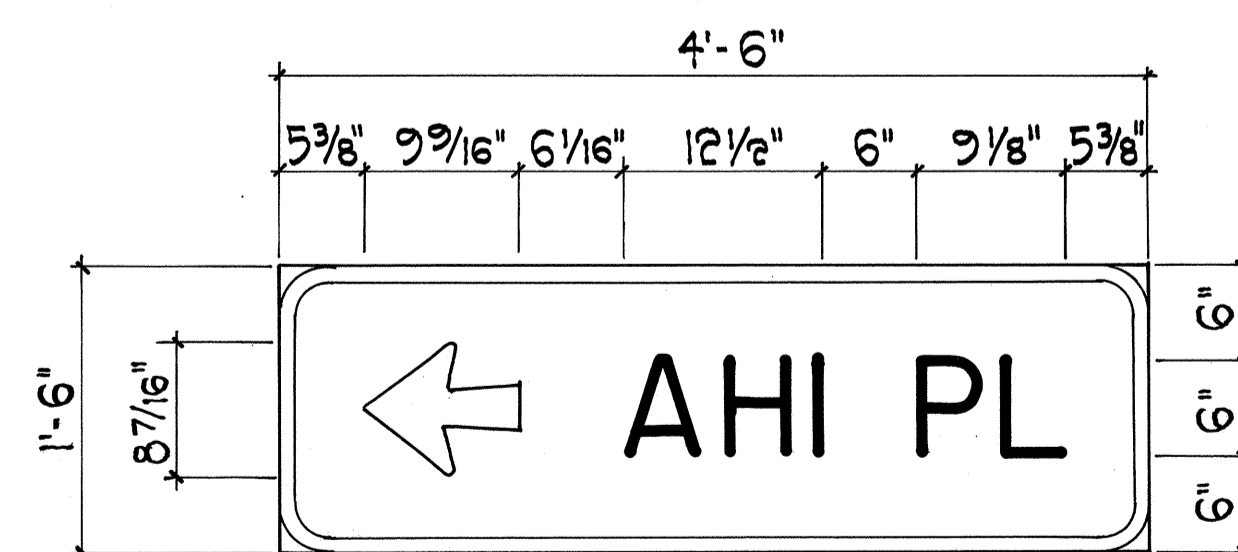
D3-3(R)  
D3-3(L)



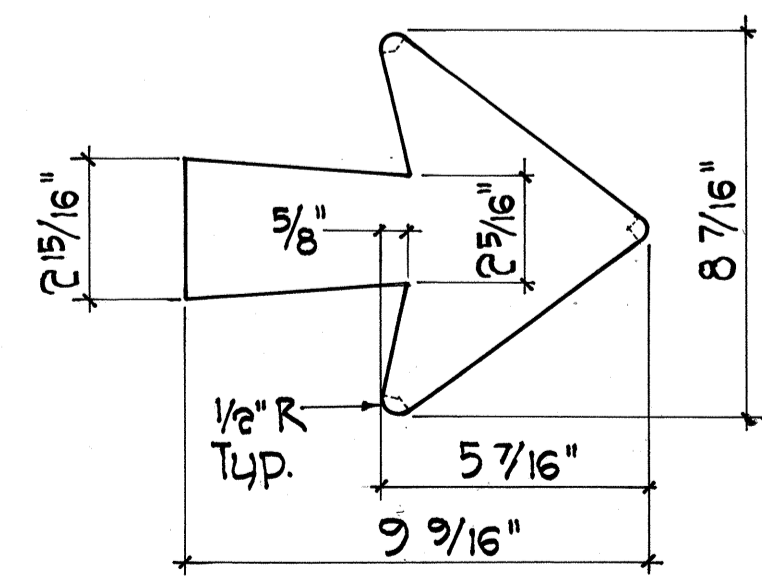
D3-7(R)  
D3-7(L)



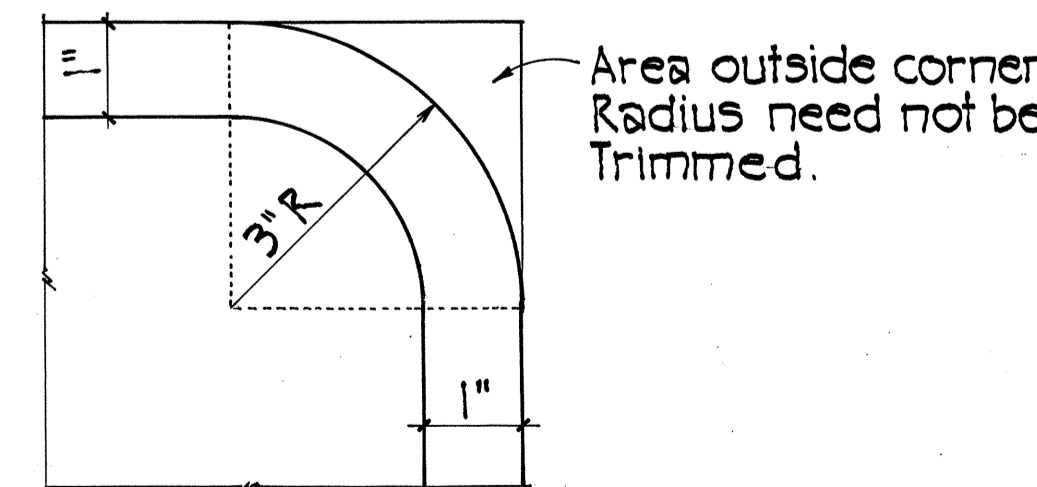
D3-10(R)  
D3-10(L)



D3-4(L)  
D3-4(R)

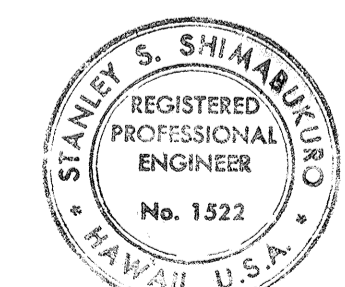


TYPICAL ARROW DETAIL



TYPICAL BORDER CORNER

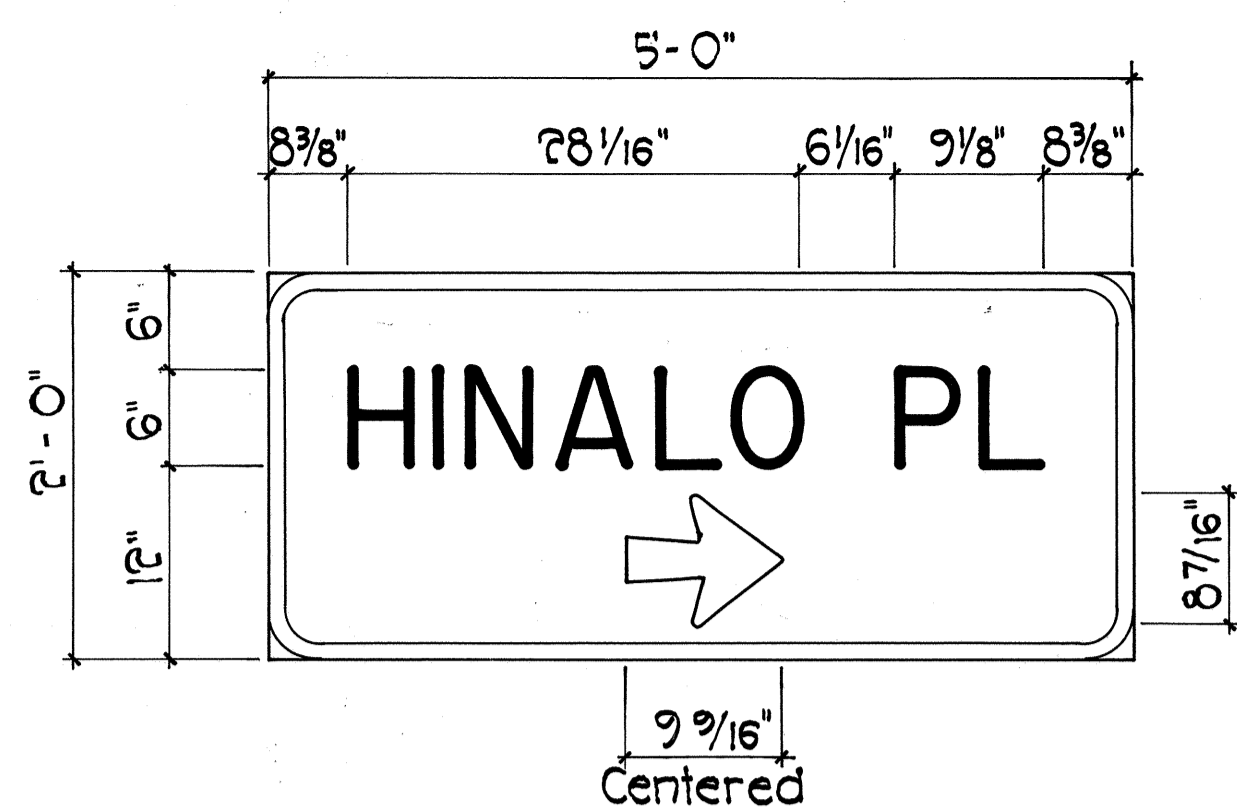
DATE	
SURVEY PLOTTED BY	
DRAWN BY	
TRACED BY	
QUANTITIES BY	
CHECKED BY	
NOTE BOOK	
No.	



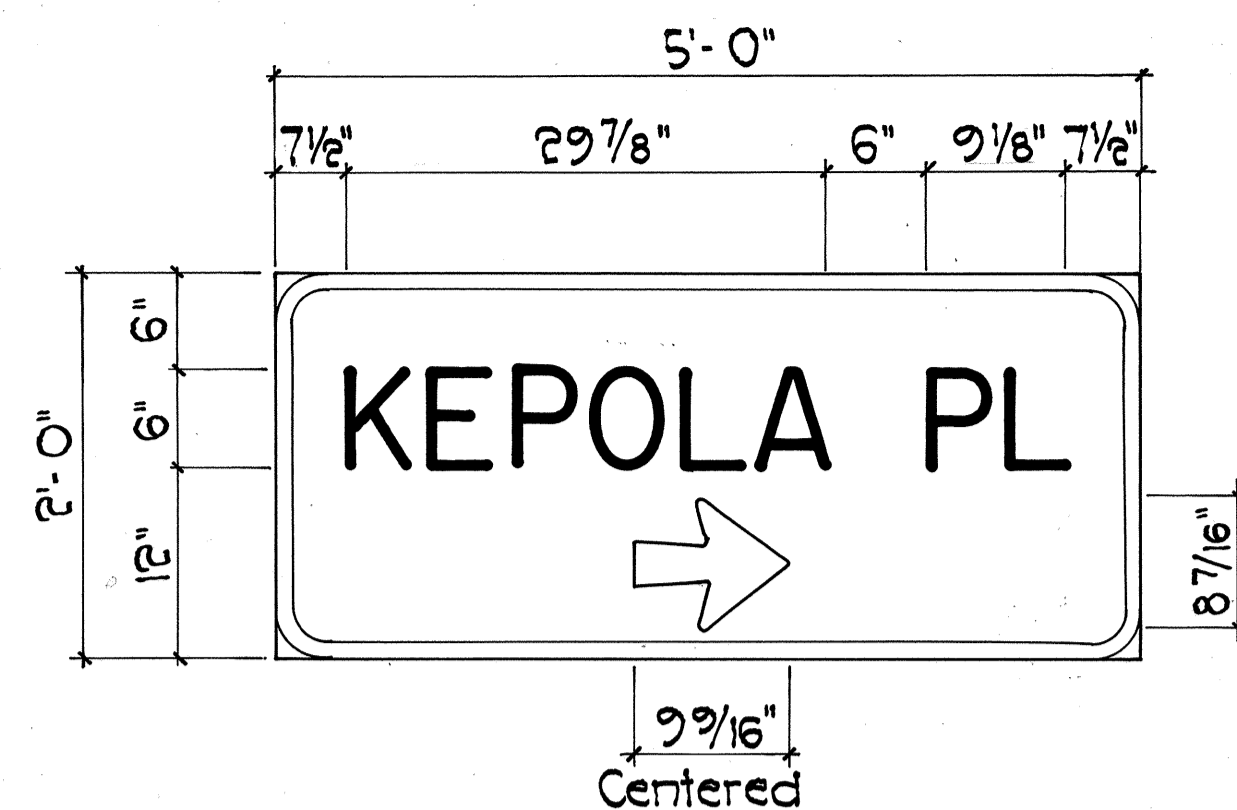
THIS WORK WAS PREPARED BY  
ME OR UNDER MY SUPERVISION.  
*Stanley S. Shimabuku*

3-8-90	Revised Existing Signs
DATE	REVISION
STATE OF HAWAII DEPARTMENT OF TRANSPORTATION HIGHWAYS DIVISION	
<b>STREET NAME SIGNS &amp; DETAILS</b>	
IMPROVEMENTS ALONG PALI HIGHWAY BETWEEN NIOLOPA PL. & WAOKANAKA ST. PROJECT NO F-061-1(23)	
SHEET NO. 7 OF 9 SHEETS	

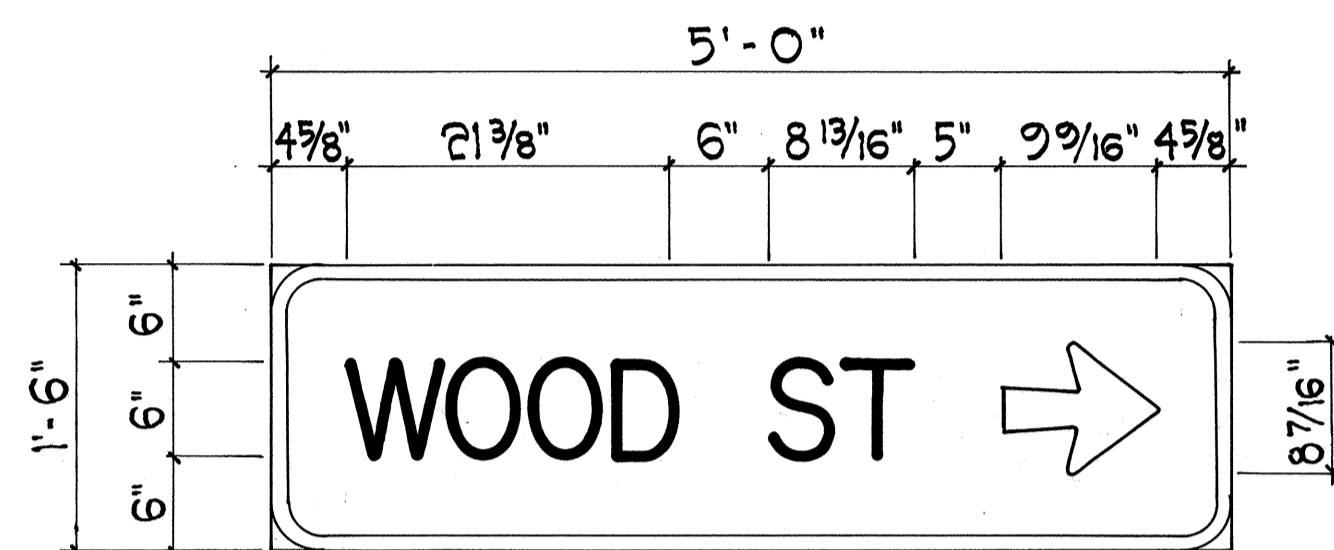
FED. ROAD DIST. NO.	STATE	FED. AID PROJ. NO.	FISCAL YEAR	SHEET NO.	TOTAL SHEETS
HAWAII	HAW.	F-061-1(23)	1988	28	49



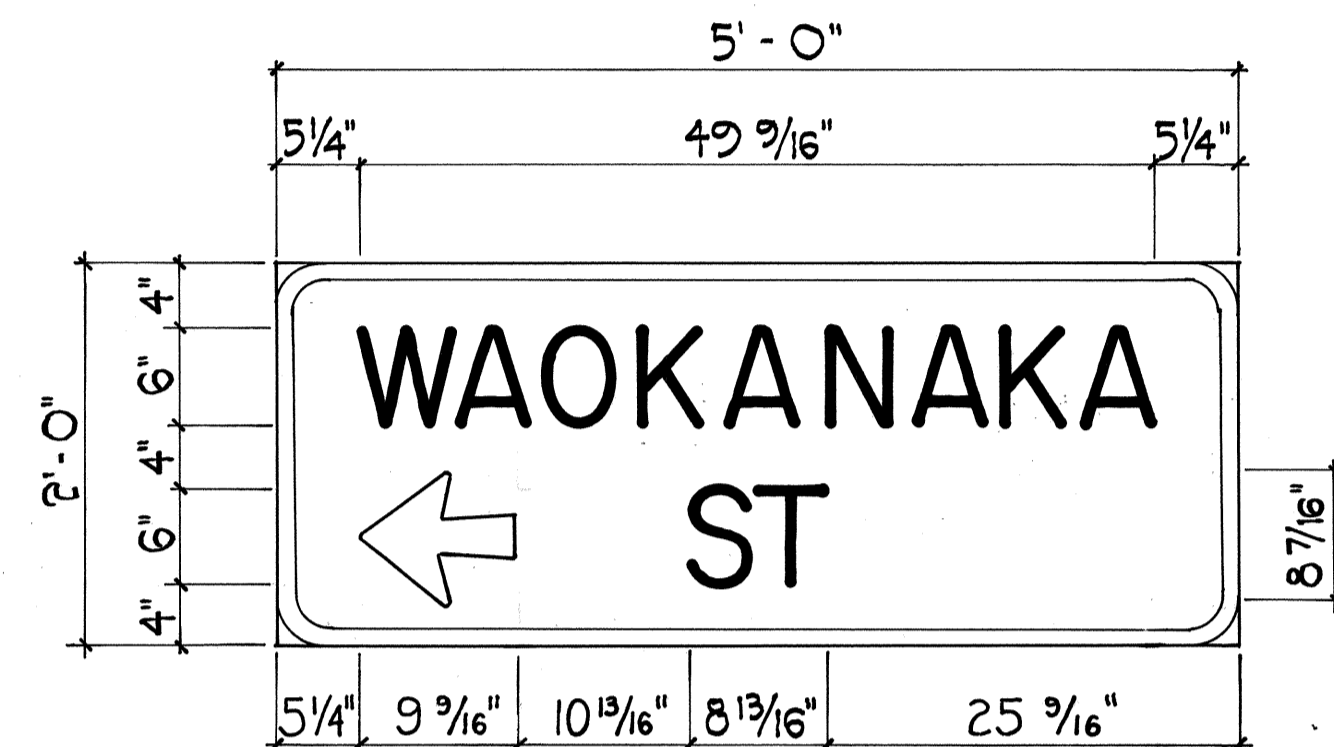
D3-11 (R)



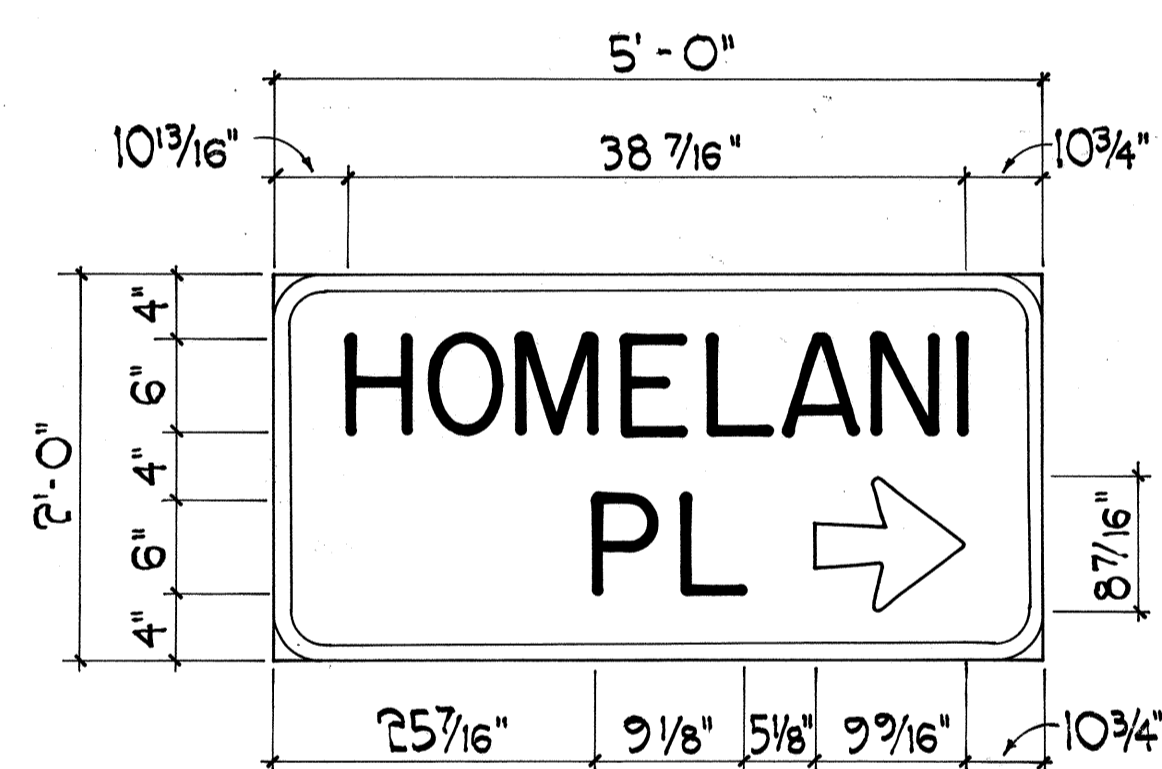
D3-14 (R)



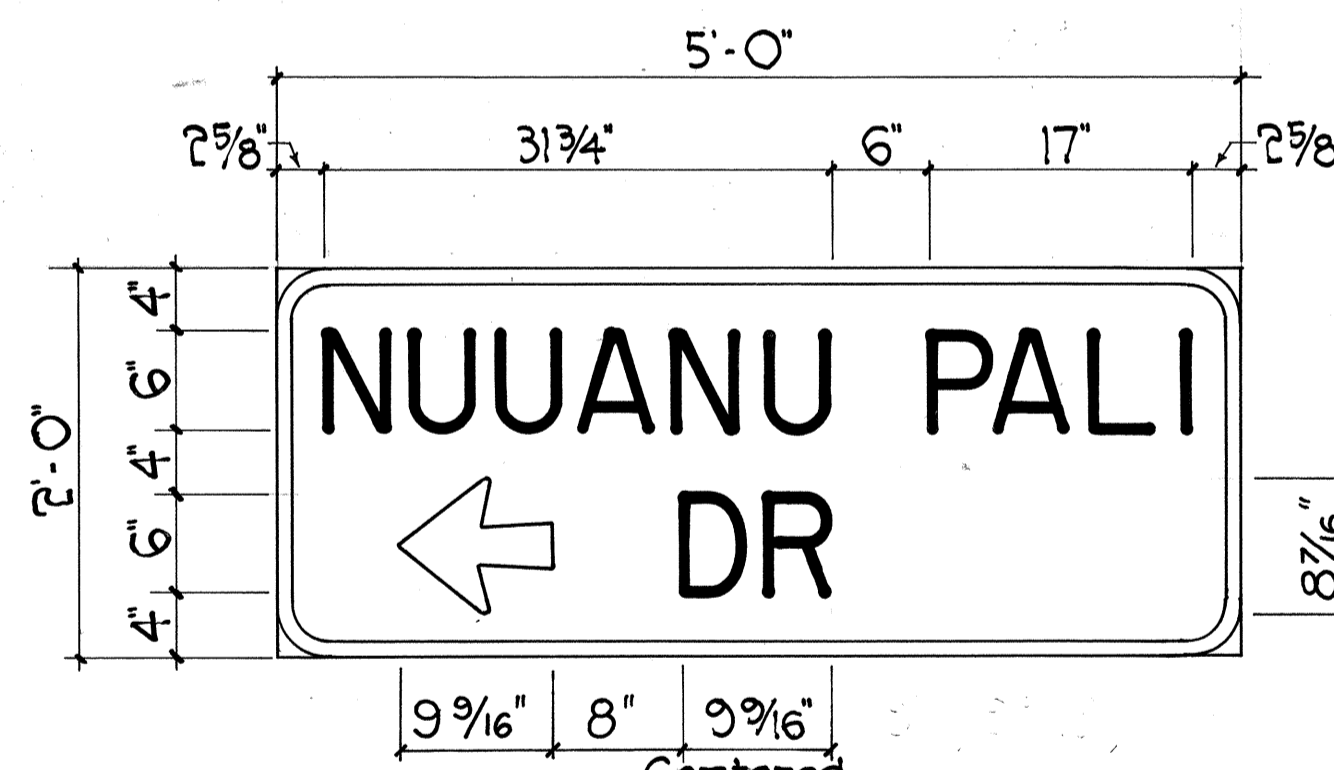
D3-12 (R)  
D3-12 (L)



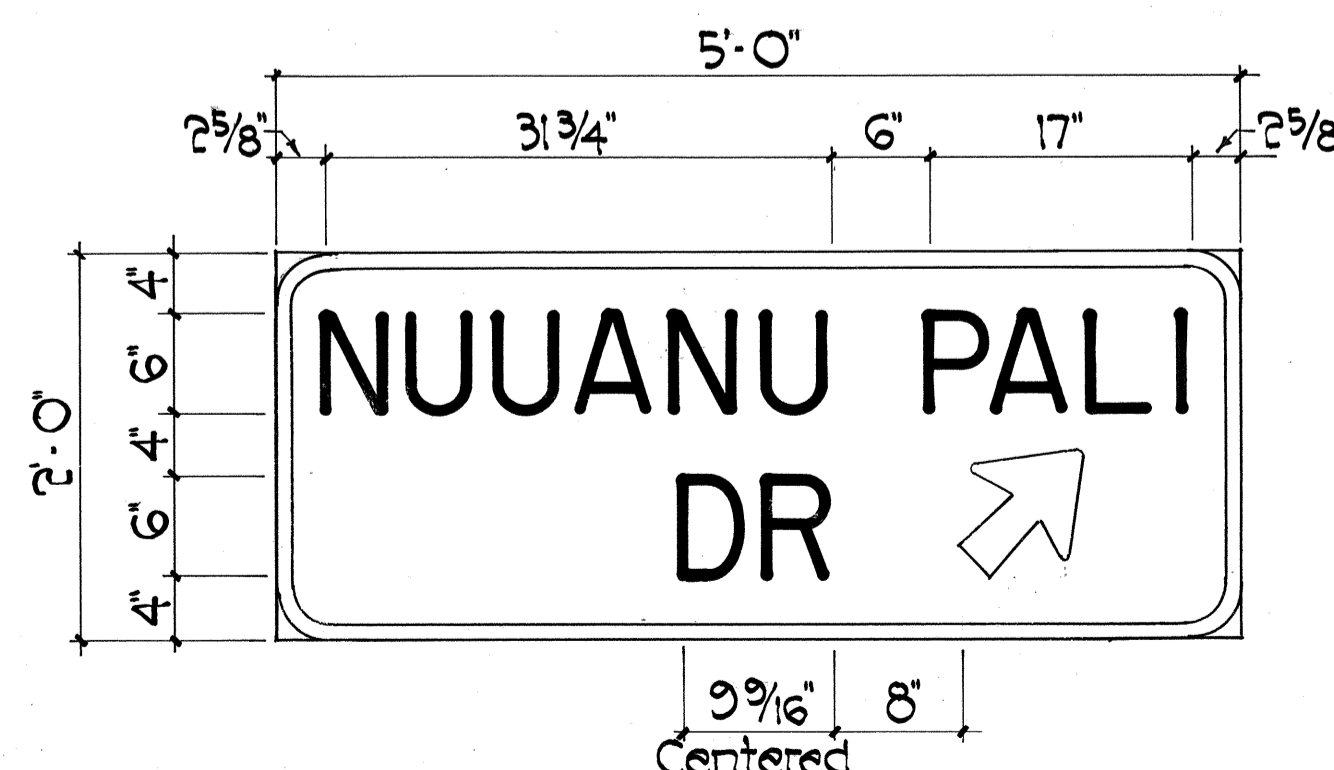
D3-15 (L)  
D3-15 (R)



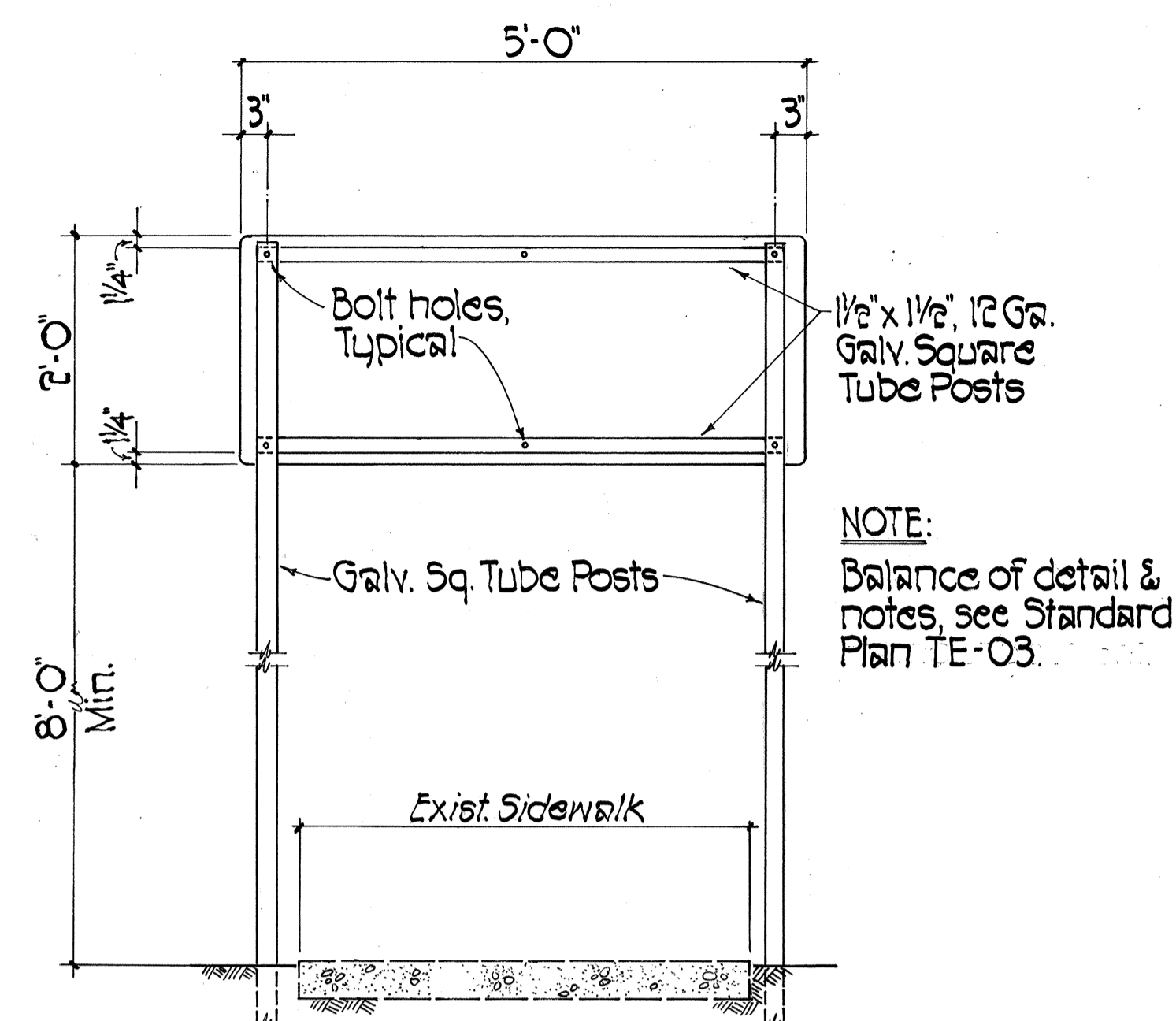
D3-13 (R)



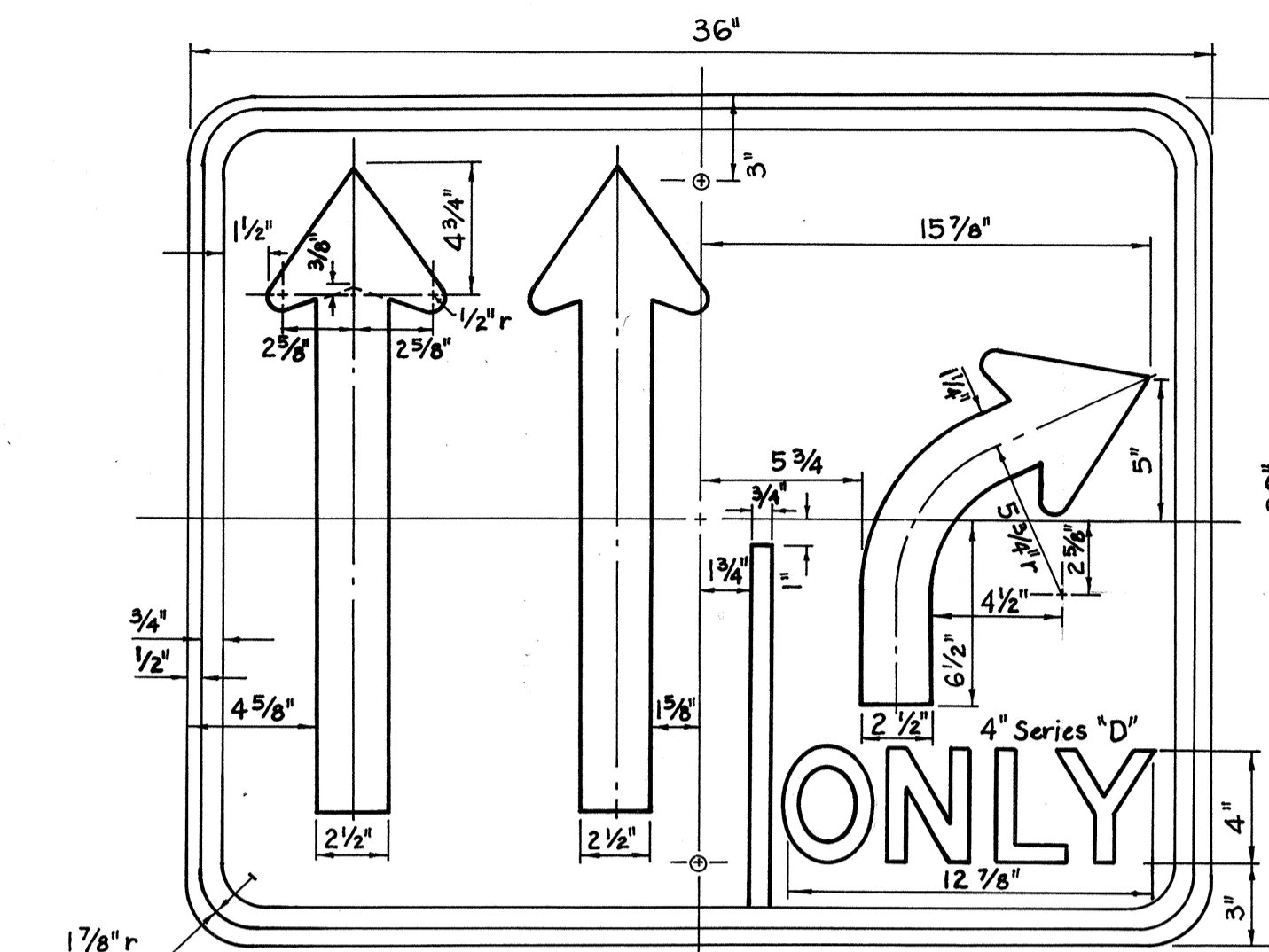
D3-16 (L)  
D3-16 (R)



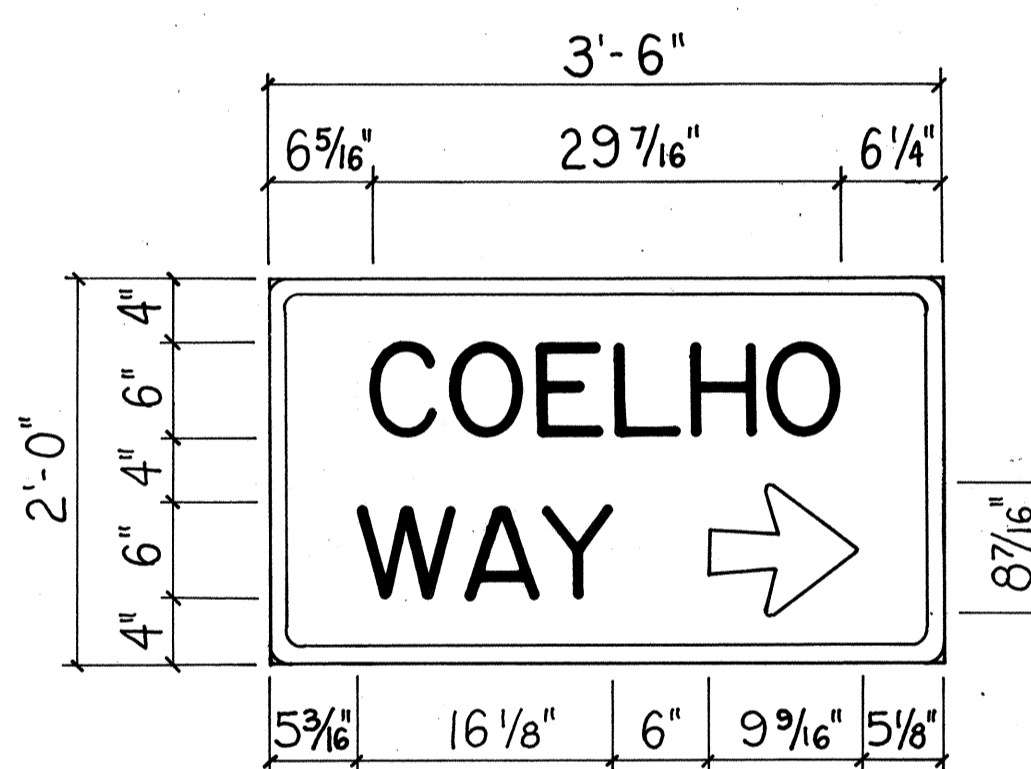
D3-17



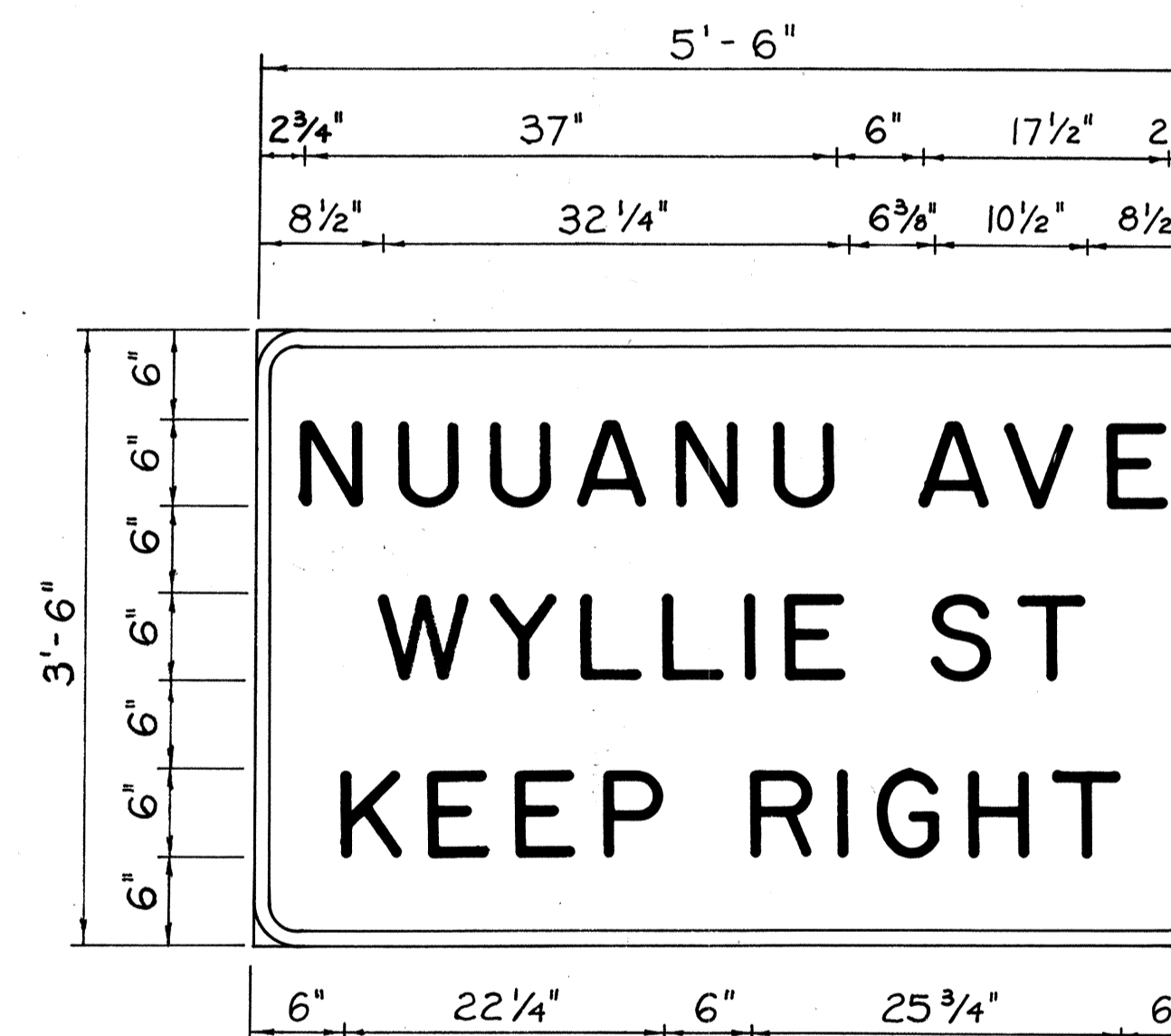
FRAME LAYOUT FOR SIGNS D3-9(R),  
D3-11(R), D3-12(R), D3-13(R), D3-14(R),  
& D3-19  
Not to Scale



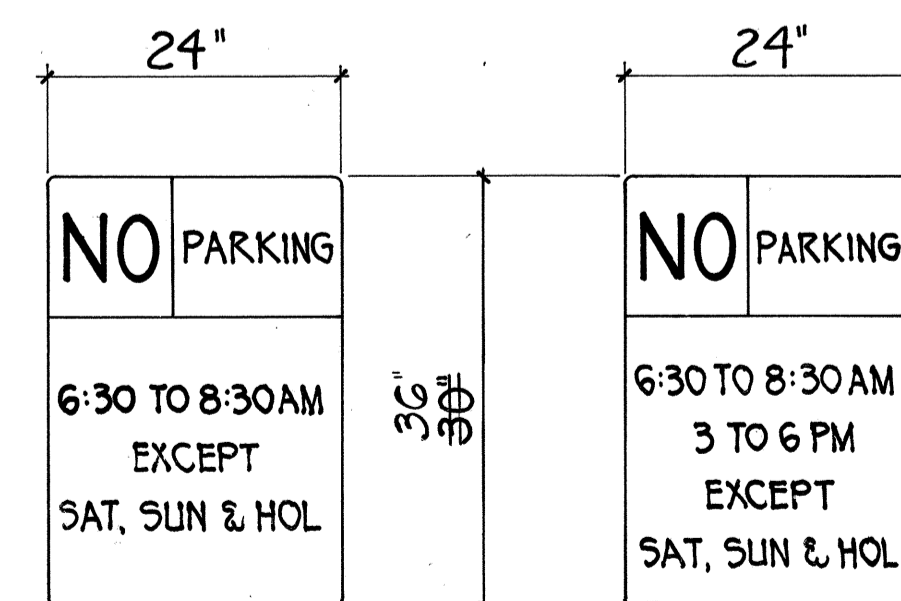
R3-8A(R)  
30"x36"



D3-18 (R)



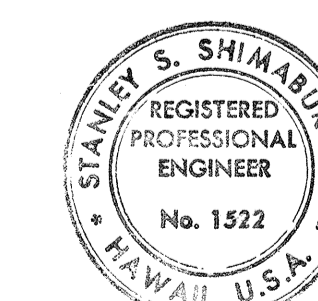
D3-19



R7-110-A

R7-111-A

DATE	
SURVEY PLOTTED BY	
DRAWN BY	
DESIGNED BY	
QUANTITIES BY	
CHECKED BY	
NO.	



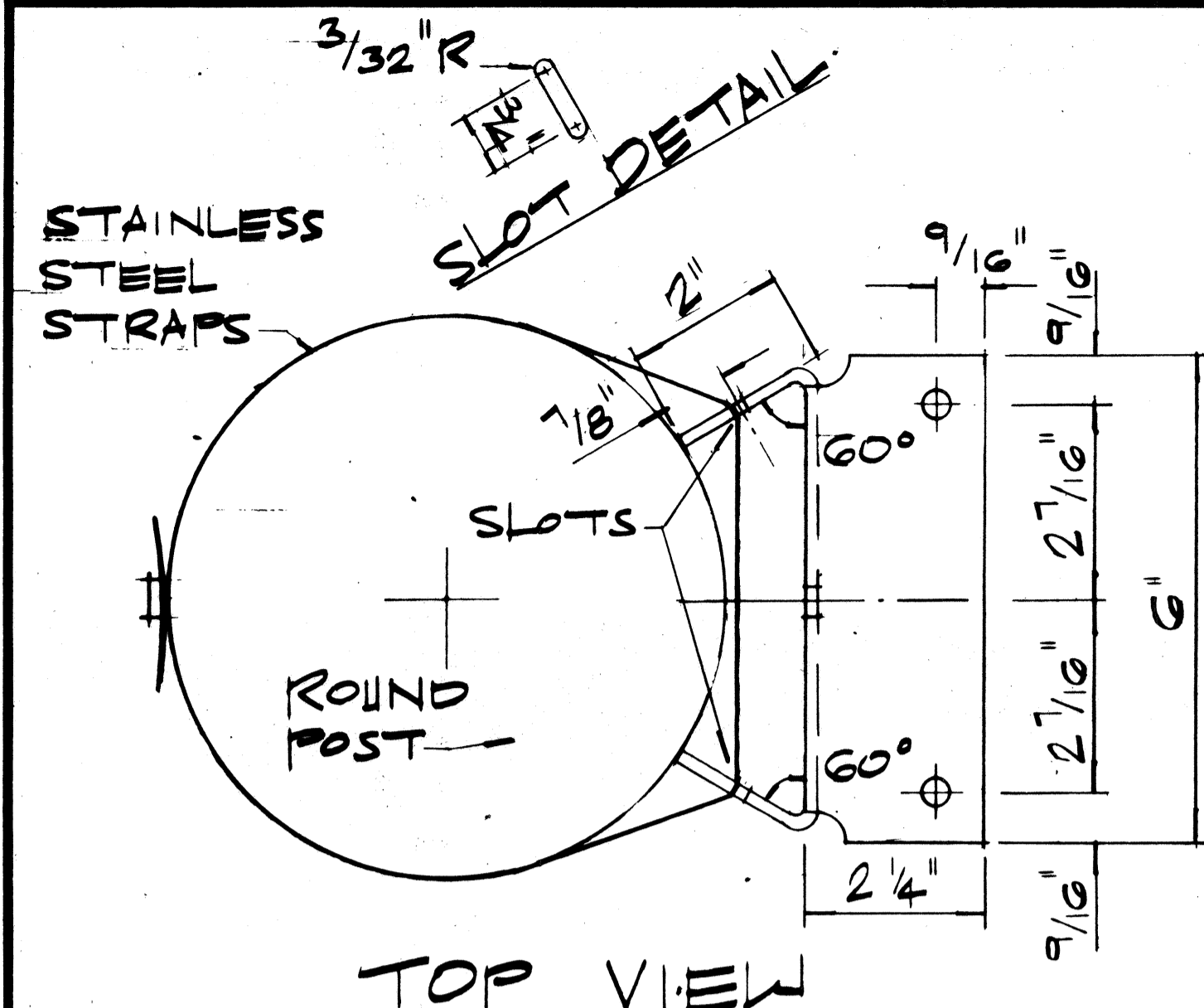
THIS WORK WAS PREPARED BY  
ME OR UNDER MY SUPERVISION  
*Stanley S. Shimada*

4-9-90 Revised Existing Signs,  
Added New Signs  
DATE REVISION

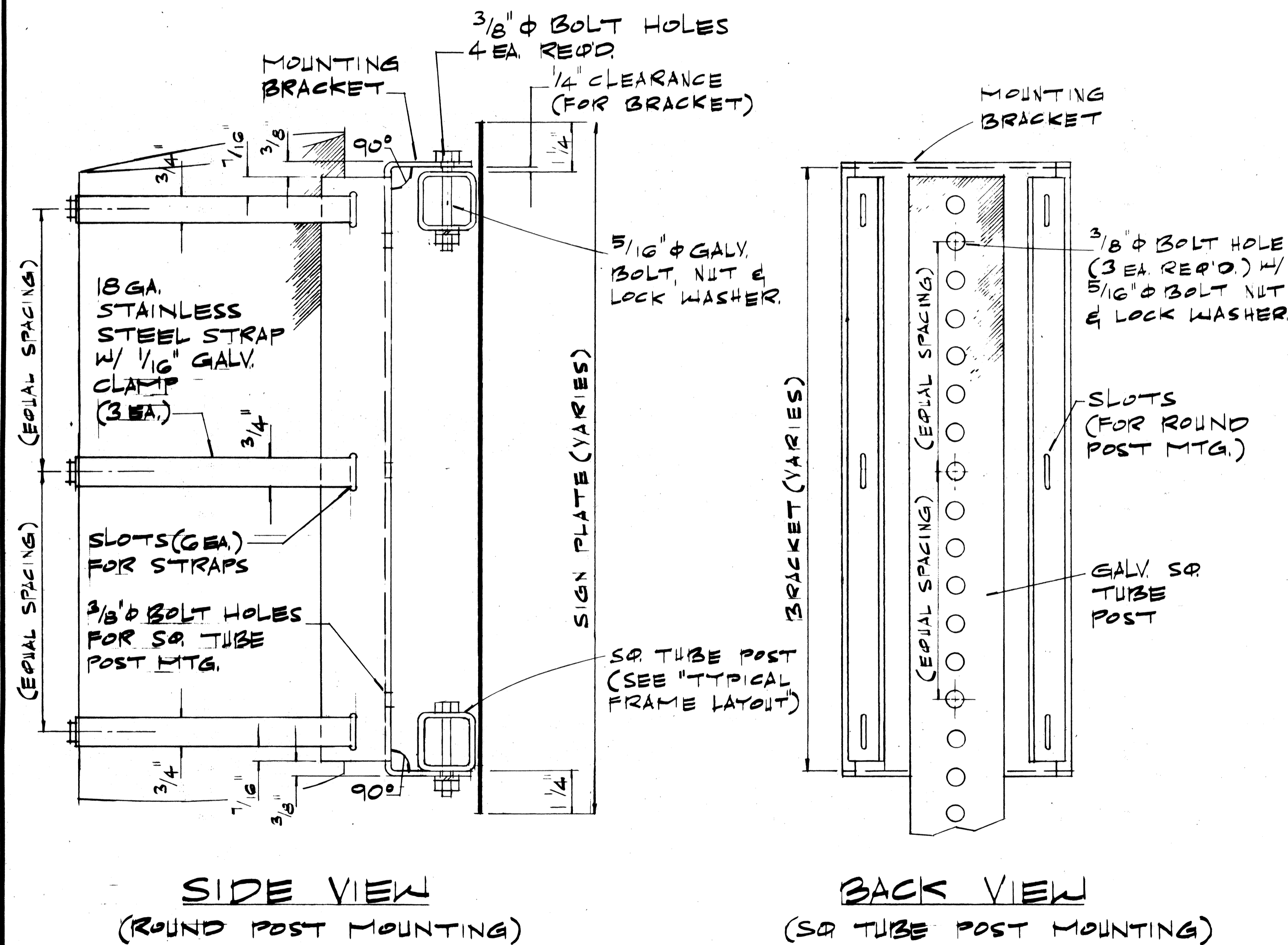
STATE OF HAWAII  
DEPARTMENT OF TRANSPORTATION  
HIGHWAYS DIVISION  
**STREET NAME  
SIGNS & DETAILS**  
IMPROVEMENTS ALONG PALI HIGHWAY  
BETWEEN NIOLOPA PL. & WAOKANAKA ST.  
PROJECT NO F-061-1(23)

SHEET NO. 8 OF 9 SHEETS

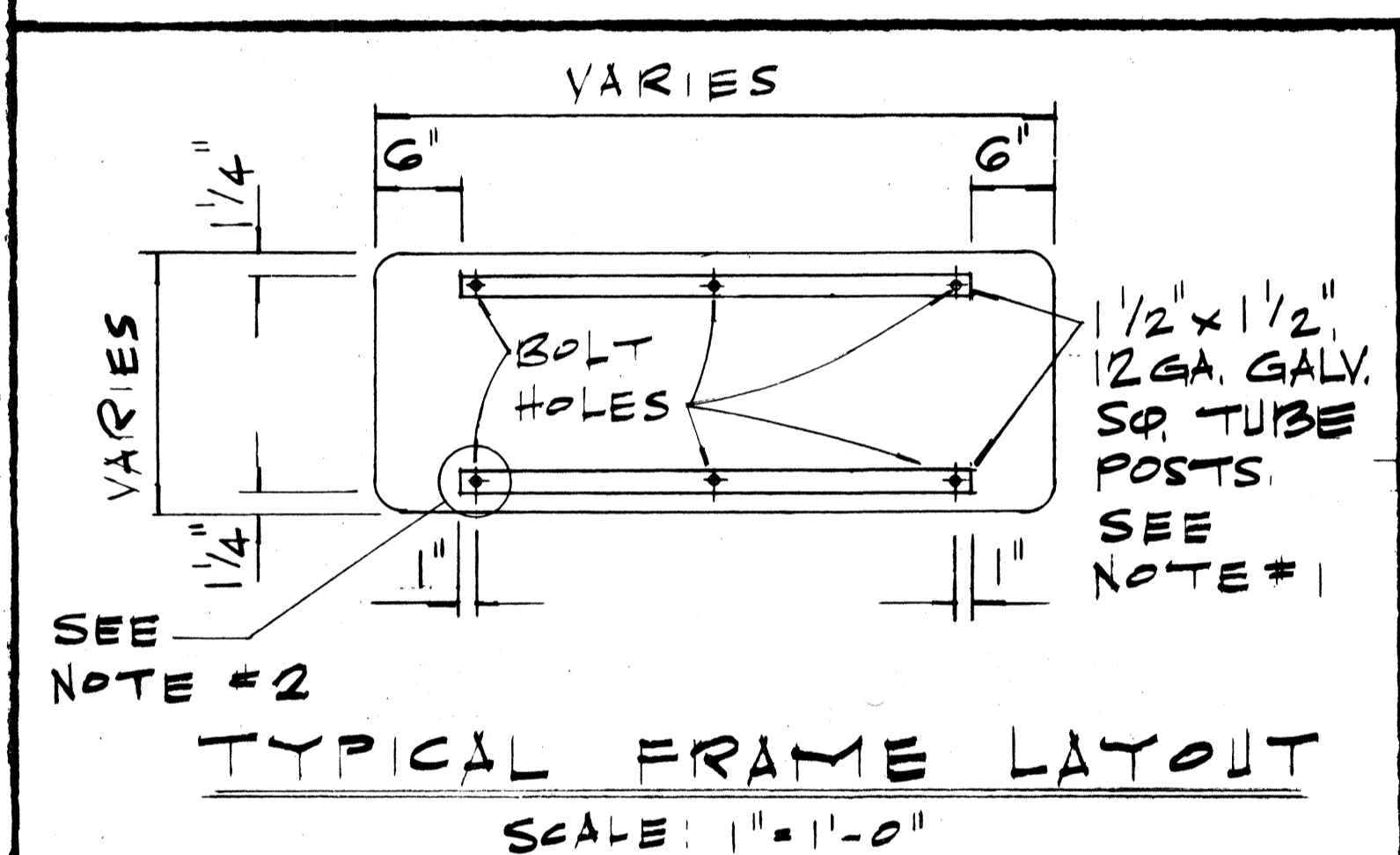
FED. ROAD DIST. NO.	STATE	FED. AID PROJ. NO.	FISCAL YEAR	SHEET NO.	TOTAL SHEETS
HAWAII	HAW.	F-061-1(23)	1988	29	49



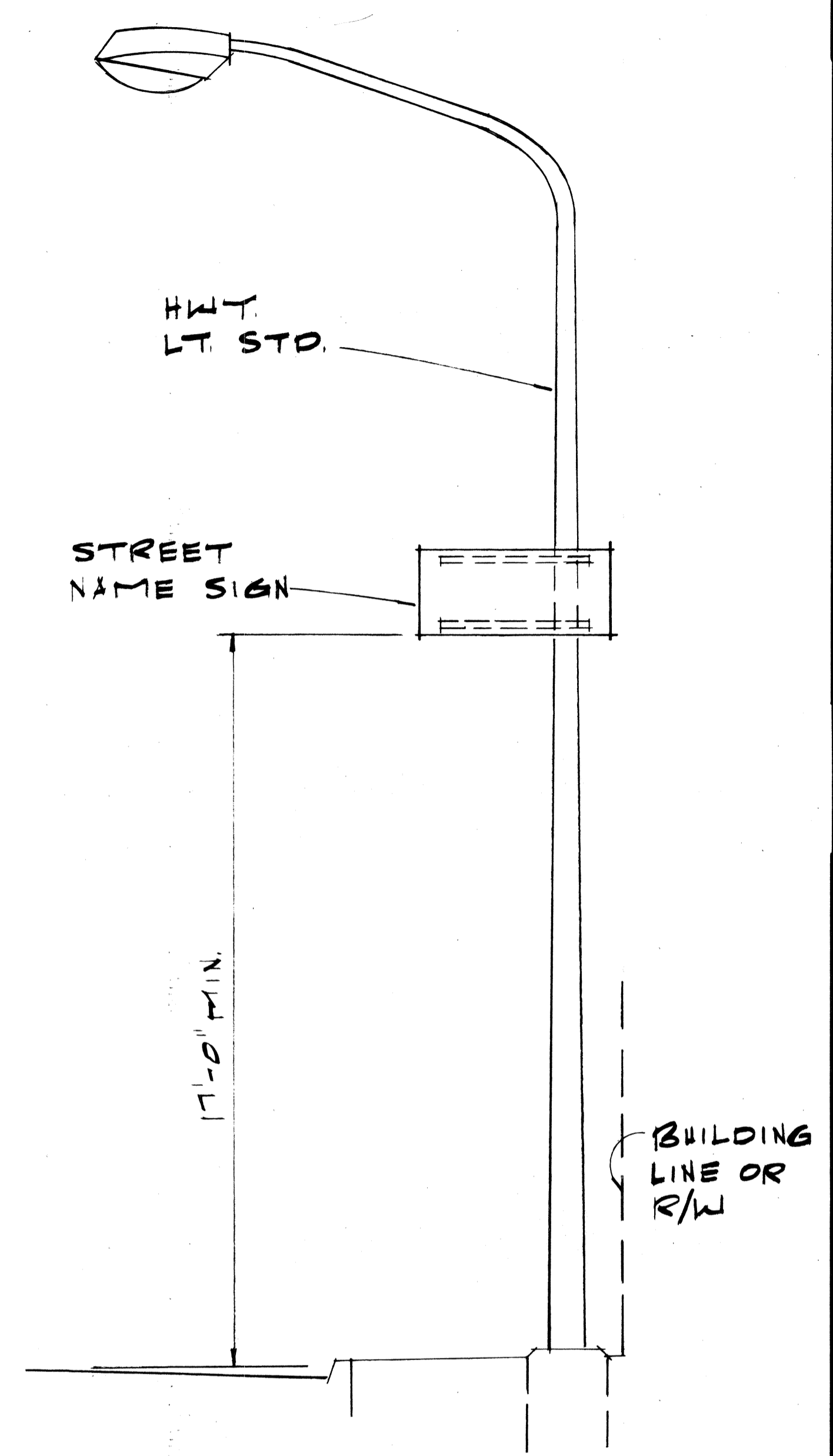
- NOTE:**
1. MATERIAL TO BE 12 GA. HOT ROLLED STEEL SHEET, LOW CARBON, COMMERCIAL QUALITY, SPECIFICATIONS QPS-636, GRADE 1010.
  2. BRACKET TO BE HOT DIPPED GALV. AFTER FABRICATION PER SPECIFICATION ASTM-A-123-68.
  3. ALL BEND RADII TO BE 1/8".
  4. DEBURR ALL SHARP EDGES
  5. TOLERANCES: DIMENSIONS,  $\pm 1/32$ "  
ANGLES,  $\pm 0^\circ-30'$



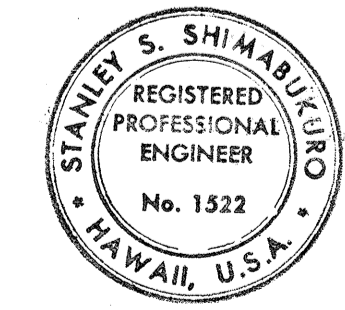
**MOUNTING BRACKET FOR UNBALANCED SIGN INSTALLATION**  
HALF SCALE



- NOTE:**
1. SQ. TUBE POSTS SHALL BE AS SPECIFIED IN THE SPECIAL PROVISIONS.
  2. SIGN PANEL SHALL BE ATTACHED TO SQ. TUBE POST WITH 5/16" GALV. BOLT, NUT, LOCK WASHER & 7/8" x 0.06" STAINLESS STEEL FLAT WASHER WITH NEOPRENE RUBBER GASKET.



DATE	_____
SURVEY PLOTTED BY	_____
DRAWN BY	_____
TRACED BY	_____
NOTED BY	_____
CHECKED BY	_____
ORIGINAL PLAN	_____
NOTE BOOK	_____
No.	_____



THIS WORK WAS PREPARED BY ME OR UNDER MY SUPERVISION.  
*Stanley S. Shimadzu*

STATE OF HAWAII  
DEPARTMENT OF TRANSPORTATION  
HIGHWAYS DIVISION

**UNBALANCED SIGN INSTALLATION**

IMPROVEMENTS ALONG PALI HIGHWAY  
BETWEEN NIOLOPA PL. & WAOKANAKA ST.  
PROJECT NO F-061-1(23)

SHEET NO. 9 OF 9 SHEETS