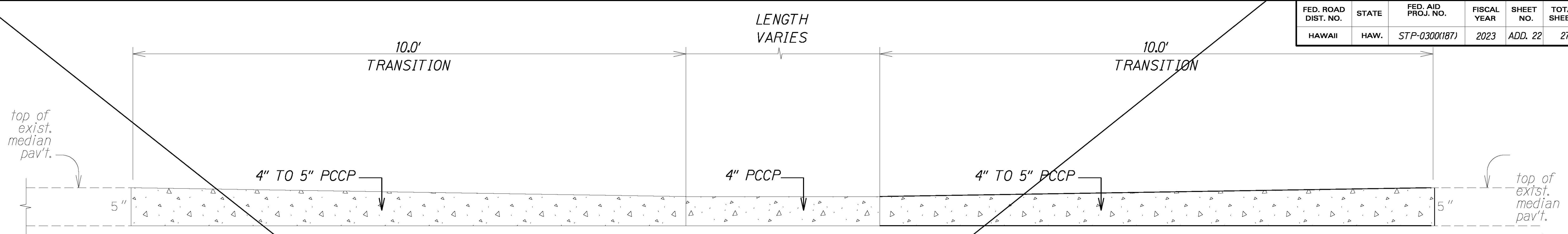
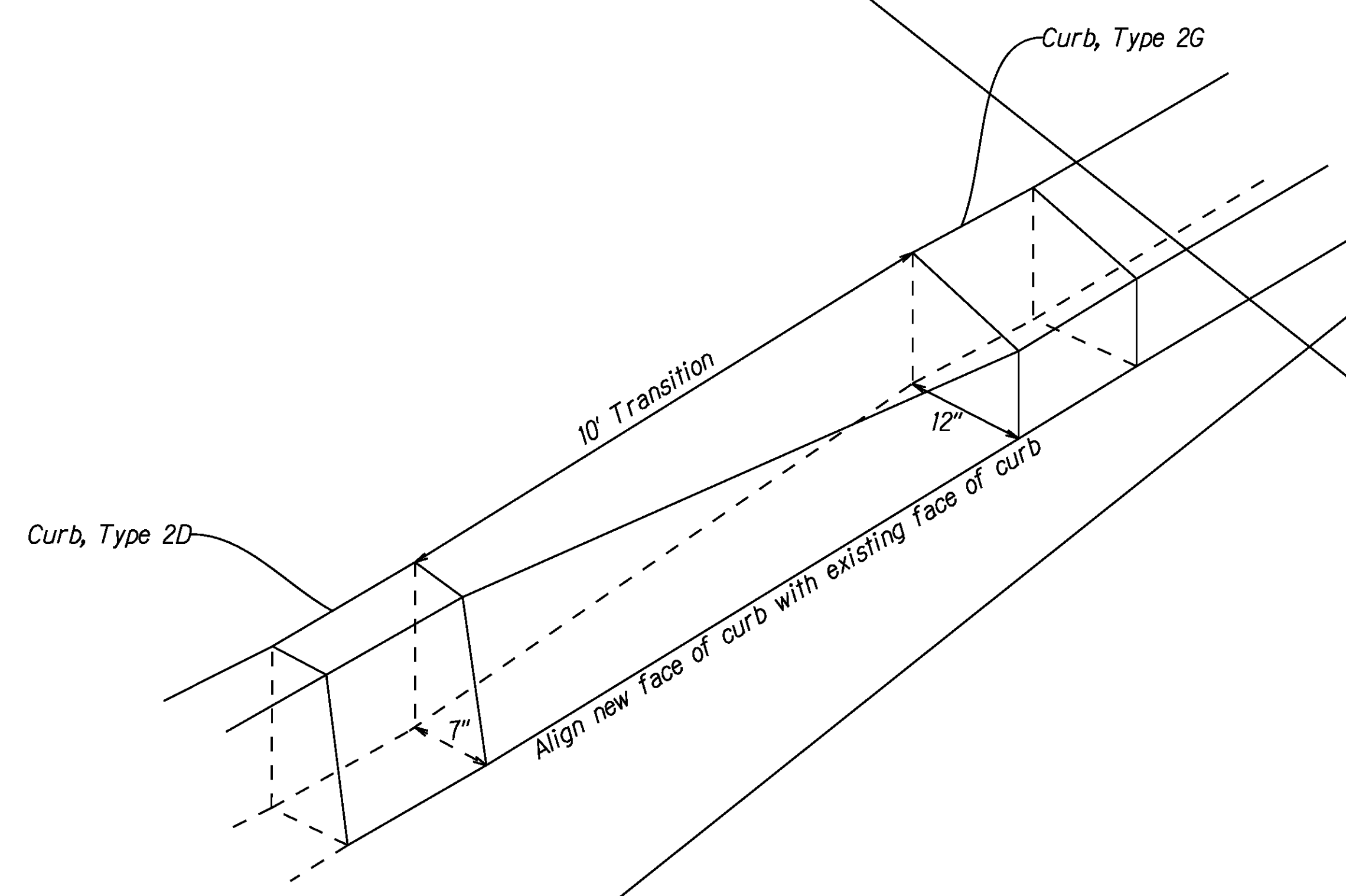


FED. ROAD DIST. NO.	STATE	FED. AID PROJ. NO.	FISCAL YEAR	SHEET NO.	TOTAL SHEETS
HAWAII	HAW.	STP-0300(187)	2023	ADD. 22	27

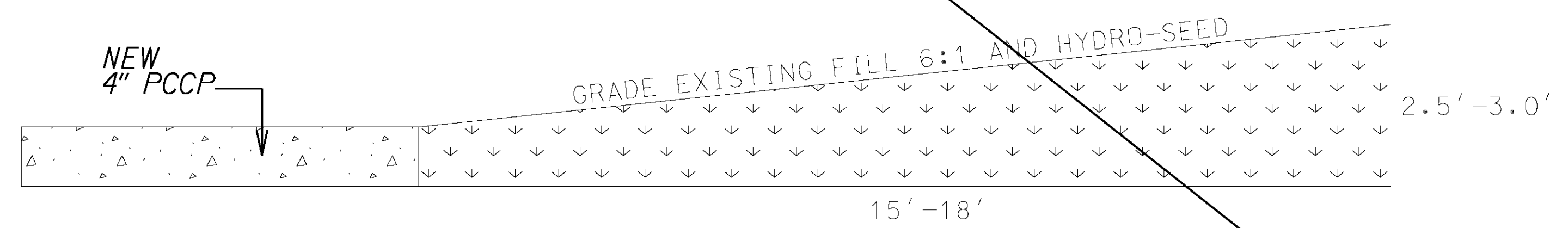


Notes for Detail D-1:
 -Match existing cross slopes for all new median construction. Cross slopes shall not exceed 8% (12:1).
 -Layout of new median shall match the existing layout. Align face of curb with existing face of curb

**DETAIL "D-1"
 MEDIAN TRANSITION**
 Not to Scale

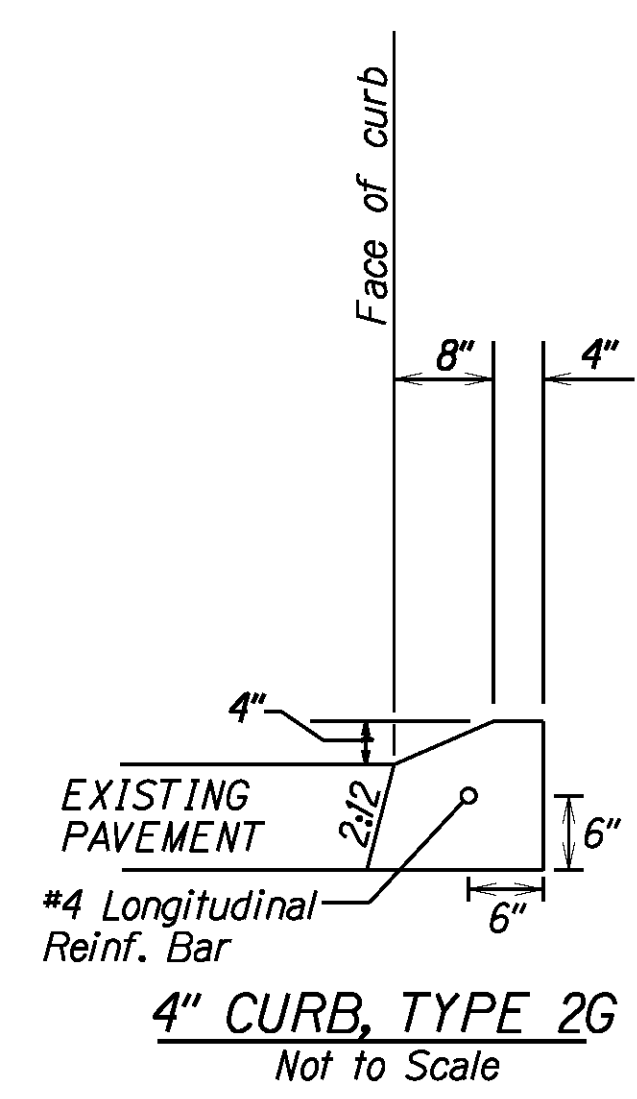


**DETAIL "D-3"
 CURB TRANSITION**
 Not to Scale

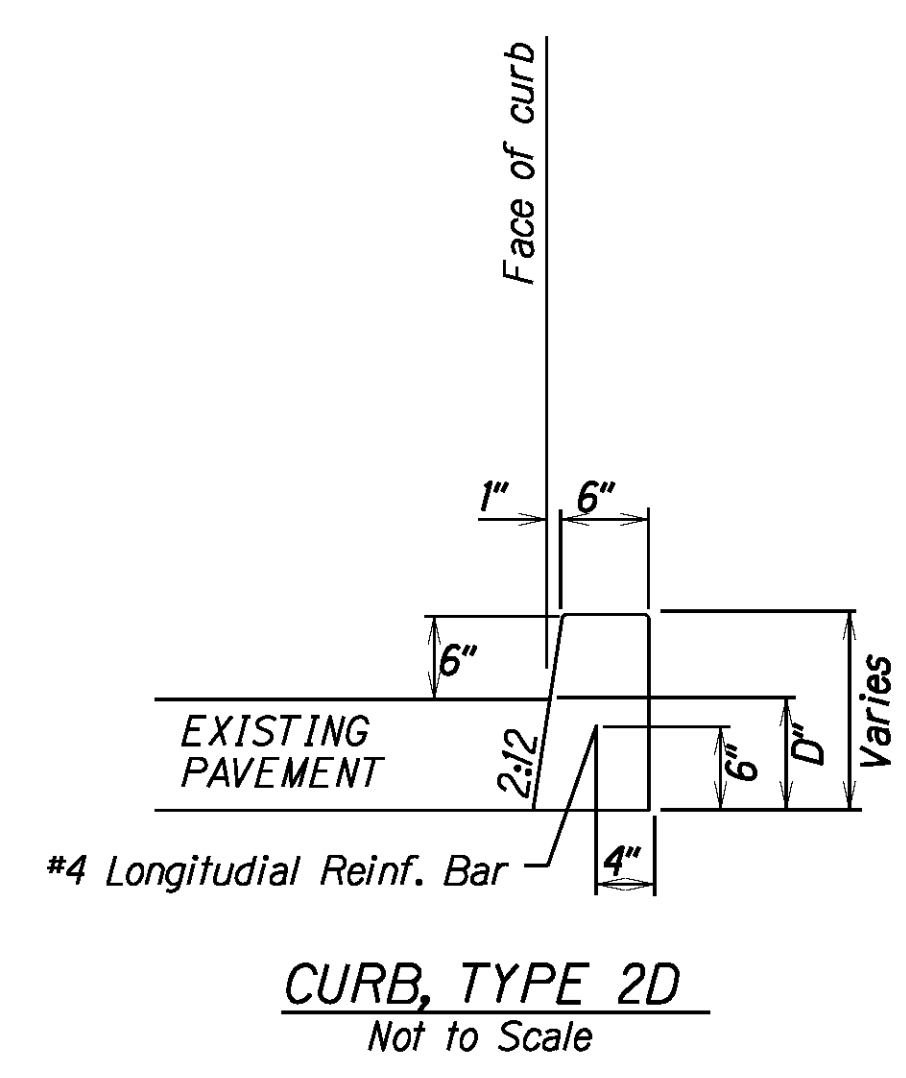


**DETAIL "D-2"
 EXISTING FILL GRADING**
 Not to Scale

N.I.C.



NOTE:
 TRANSITION OF EXISTING CURB TO NEW 4" MOUNTABLE CURB SHOULD BE 10'



DATE
SURVEY PLOTTED BY
DRAWN BY
TRACED BY
DESIGNED BY
CHECKED BY
NO.

1	1/10/24	Delete sheet.
	DATE	REVISION
STATE OF HAWAII DEPARTMENT OF TRANSPORTATION HIGHWAYS DIVISION CURB AND MEDIAN DETAILS <u>GUARDRAIL AND SHOULDER IMPROVEMENTS</u> <u>AT VARIOUS LOCATIONS, OAHU, PHASE 3</u> Fed. Aid Proj. No. STP-0300(187)		
Scale: 1" = 40'		Date: DECEMBER, 2023
SHEET No. 1 OF 1 SHEETS		