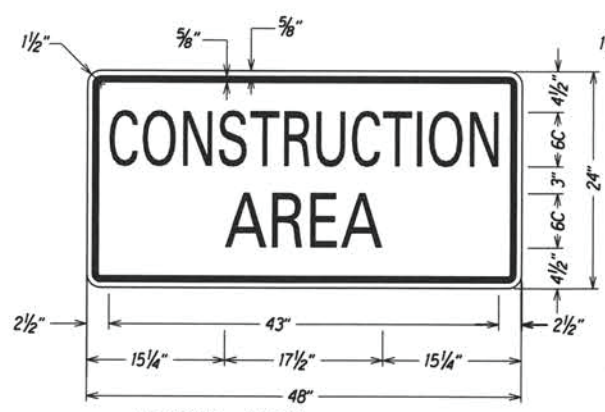
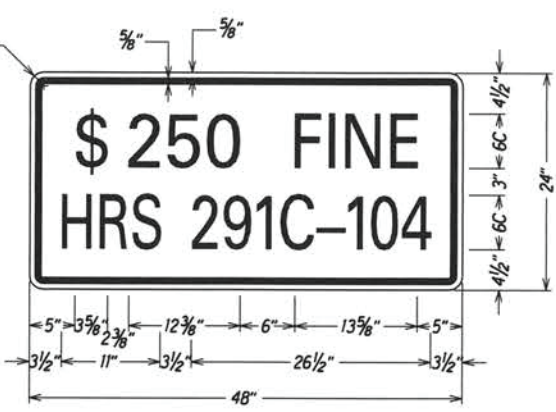


- Work Zone Notes:**
1. This Work Zone Sign Plan is intended for use on long-term stationary work zones/construction phases (3 days or more). All work zones or construction phases less than 3 days duration will use Traffic Control Plans shown in Section 645 of the Special Provisions.
 2. All existing regulatory speed limit signs within the work zone/project limits shall be covered and work zone speed limit sign assemblies (R2-1(45)-A and CW3-5(45)-A with "CONSTRUCTION AREA" and "\$250 FINE HRS 291C-104" Supplemental Sign(s) shall be displayed during lane closure hours.
 3. Upon the removal of the lane closure, all work zone speed limit signs shall be covered and existing speed limit signs within the work zone/project limits shall be restored.
 4. Construction signs shall be installed on both the approaching and trailing ends of each work zone.
 5. Each construction sign and work zone speed limit assembly shall have a minimum of two (2) Type II OM. Installation of each Type II OM shall be considered incidental to Item No. 645.0100 - Traffic Control.
 6. All work zone speed sign assembly shall be mounted on three (3) 4.00 lbs./ft. galvanized flanged channel sign posts with a sign clearance height of five (5) feet. Sign stiffeners as specified by Standard Plan Sheet TE-02 shall be installed as needed or as directed by the Engineer.
 7. The daily covering and uncovering of existing regulatory speed limit signs along with the installation, maintenance, removal and daily covering and uncovering of work zone speed limit sign assemblies shall be considered incidental to Item No. 645.0100 - Traffic Control.

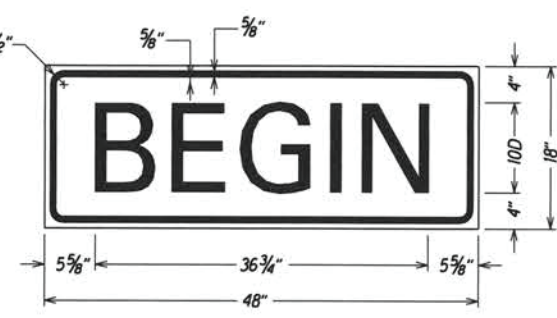
*Note:
 Legend: Black
 Background: Orange
 Speed Limit: Black on White



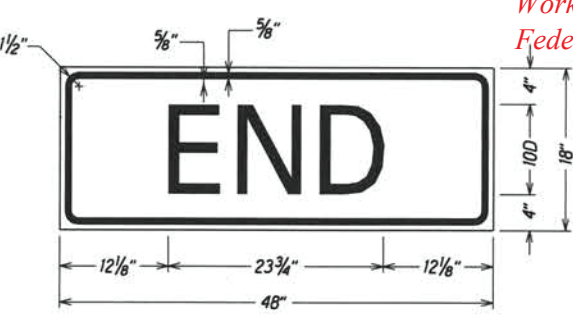
LEGEND: BLACK
 BACKGROUND: ORANGE



LEGEND: BLACK
 BACKGROUND: WHITE



LEGEND: BLACK
 BACKGROUND: ORANGE



LEGEND: BLACK
 BACKGROUND: ORANGE

Installation of Enhanced Pavement Marking and New Milled Rumble Strip at Various Locations
 Work Order 1 Interstate Route H-2
 Federal-Aid Project No. HSIP-0300(155)

STATE OF HAWAII
 DEPARTMENT OF TRANSPORTATION
 HIGHWAYS DIVISION

FREEWAY WORK ZONE SIGNING
PLAN, NOTES & DETAILS
 INTERSTATE ROUTE H-2 and MOANALUA FREEWAY
 Guardrail and Shoulder Improvements
 Federal-Aid Project No. NH-STP-0300(164)
 Scale: Not to Scale Date: Aug., 2020

SHEET No. T4 OF 59 SHEETS

"AS-BUILT"